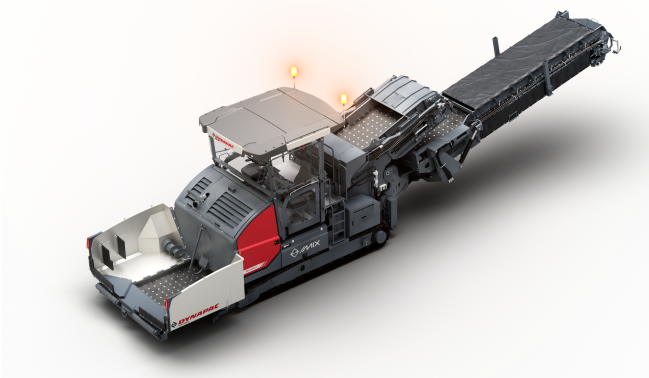


Dynapac MF2500CS IMIX

Mobile feeders



Technical data



Masses

Transport mass	21.6 t
----------------	--------



Dimensions

Transport length	9.25 m
Transport width	2.55 m
Transport height	3.10 m
Front ramp angle	10°



Traction

Operating speed, max	25 m/min
Transport speed, max	4 km/h



Engine

Manufacturer/Model	Cummins B 6.7-C225
Rated power, SAE J1995	168 kW (225 hp) @ 2200 rpm
Electrical system	24 V
Emissions according to	EU Stage V /EPA Tier 4f
Fuel tank capacity	360 l



Material hopper

Capacity	7 m ³ (13 t)
Dumping height, center	580 mm



Conveyor

Conveyor speed	Constantly variable
Conveyor width	1.20 m
Feeding height (max/min)	2.5 m /2.15 m
Feed capacity	2000 t/h



Emissions Standards

Sound capacity level, L _{WA}	105 dB(A)
Sound pressure level at the operator's position (at the height of the head), L _{AF}	87 dB(A)
Vibration acting on the entire body (DIN EN 1032), a _w	<0.05 m/s ²
Vibration acting on hands and arms (DIN EN ISO 20643), a _{hw}	<2.5 m/s ²

Find us locally at www.dynapac.com

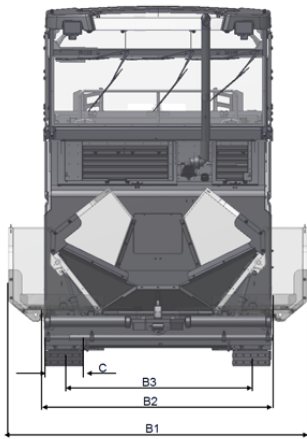
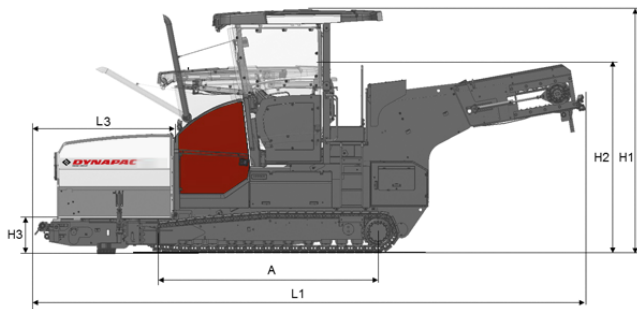
We reserve the right to change specifications without notice. Photos and illustrations do not always show standard versions of machines. The above information is a general description only, all informations are supplied without liability.

Dynapac MF2500CS IMIX

Mobile feeders



Technical data



Dimensions	
A. Axle track	3.95 m
B1. Width, max.	3.55 m
B2. Width, standard	2.55 m
B3. Width, center of tracks	2.09 m
C1. Track width	320 mm
H1. Height, max.	5 m
H2. Height, transport	3.10 m
H3. Height	580 mm
L1. Length	9.25 m (14.3 m)
L3. Length, hopper	2.25 m

Find us locally at www.dynapac.com

We reserve the right to change specifications without notice. Photos and illustrations do not always show standard versions of machines. The above information is a general description only, all informations are supplied without liability.