

CA1500

Spare parts list

Vibratory roller

CA1500 s/n 10000160xxA012491 -

Engine: Deutz TD3.6 (IIIB/T4f)



General information

Use only authorized parts. Any damage or malfunction caused by the use of unauthorized parts is not covered by Warranty or Product Liability. Any unauthorized use or copying of the contents or any part thereof is prohibited. This applies in particular to trademarks, model denominations, part numbers, and drawings.

Instructions for use

This spare parts list contains no safety regulations and is merely intended to assist in the ordering of spare parts.

For information about operating, servicing, or repairing, the relevant Safety and operating instructions must be consulted at all costs.

Please observe the safety instructions listed in the relevant Safety and operating instructions!

CA1500D/PD (Deutz IIIB/T4) SN 10000160xxA012491 -	1
---	---

Service kits

4812159352 Service kit, 50h Plus	3
4812160165 Service kit, 500h	5
4812160166 Service kit, 500h Plus	7
4812160167 Service kit, 1000h	9
4812160168 Service kit, 1000h Plus	11
4812160169 Startup kit	13

Repair kits

4812159976 Eccentric shaft kit	15
4812157275 Drum rotation kit	17
4812159975 Shock absorber kit, drum	19

General - Keys and others

Keys	21
Fuses	23

Frame

Frame, front

Frame, front	25
4812120697 Steering hitch, cpl.	27
Steering hitch module	29
4812114990 Steering hitch, cpl	31

Scrapers, option

Scrapers, option	33
Scraper module	35
Scraper module Rubber	37
Scraper assy	39
Scraper module PD	41

Frame, rear

Frame, rear	43
Frame, rear	45
Cover assembly	47
Step module	49
Step assy	51
Tool box module, Option	53

Engine structure

Engine structure	55
Engine hood module	57
4812118994 Lock handle, cpl	59
Fender module	61
Hinge module	63
Gas spring module	65

Safety link and Lock handle, To A014115

Safety link module	67
Lock handle assy	69

Safety link and Lock handle, From A014116

Safety link module	71
Lock handle, assy	73

Drum

Drum	75
4812115972 Gear Anti spin	77
4812115971 Gear	79
Drum	81
Vibration motor adapter	83

Splined sleeve	85
Pad shell, option	87
Engine	
Engine	89
Diesel engine	92
Bracket module	95
Belt guard module	97
Cooling system	
Cooling system	99
Cooler stand	101
Hose kit	104
Air cleaner	107
Air cleaner module	109
Fuel system	
Fuel system	111
Fuel tank module	113
Fuel tank	115
Bracket assy	117
Filling module	119
Fuel hose kit	121
Draining module	123
Exhaust system	125
Expansion tank	127
Transmission	
Rear axle and wheels	129
4812116234 Rear axle Limited-Spin	
4812116234 Rear axle Limited-Spin	131
Differential	133
Central housing & Brakes	135
Hub reduction	137
4812116237 Rear axle Limited-Spin	
4812116237 Rear axle cpl, Limited-spin	139
Differential	141
Central housing & Brakes	143
Hub reduction	145
4812116238 Rear axle cpl No-spin	
4812116238 Rear axle cpl, No-spin	147
Differential	149
Central housing & Brakes	151
Hub reduction	153
Hydraulic system	
Hydraulic system, drum Traction control - Dual speed	
Hydraulic system, drum Traction control - Dual speed	155
Hydraulic motor	158
4812115109 Hydraulic motor	
4812115109 Hydraulic motor	161
Rotary group	163
Flush & Boost pressure valve with orifice	165
Cover, cpl.	167
4812161061_Seal kit	169
Hydraulic motor	171
4812116230 Hydraulic motor	173
Hydraulic valve module	177
4812113687 Hydraulic valve	179

Hydraulic system, rear axle Traction control - limited slip

Hydraulic system, rear axle Traction control - limited slip	181
Hydraulic motor	183

4812112204 Hydraulic motor

4812112204 Hydraulic motor	185
Rotary group	187
Control	189

Hydraulic system, rear axle Anti-Spin system

Hydraulic system, rear axle Anti-Spin system	191
Hydraulic motor	193

Hydraulic system, rear axle Dual speed

Hydraulic system, rear axle Dual speed	195
Hydraulic motor	197

Hydraulic system, oil tank

Hydraulic system, oil tank	199
Hydraulic oil tank assembly	201
Hose holder	205

Hydraulic system, engine room

Hydraulic system, engine room	207
Hydraulic pump module	209

4812112169 Hydraulic pump, propulsion

4812112169 Hydraulic pump, propulsion	211
Rotary group	213
Hydraulic control	215
Port plate with valves	217
Control module	221
Hydraulic pump module	223

4812112172 Hydraulic pump

4812112172 Hydraulic pump	225
Rotary group	227
Adjusting piece	229
Portplate with valves	231
Pump support plate	233
4/3-Way directional valve	235
Hydraulic oil filter assy	237
Hydraulic pump module	239
4812112182 Hydraulic pump, steering	241

Hydraulic system, engine room Adjustable frequency, ECO

Hydraulic system, engine room Adjustable frequency, ECO	243
Hydraulic pump module	See page 209

4812112169 Hydraulic pump, propulsion

4812112169 Hydraulic pump, propulsion	See page 211
Rotary group	See page 213
Hydraulic control	See page 215
Port plate with valves	See page 217
Control module	See page 221
Hydraulic pump module	245

4812112177 Hydraulic pump, vibration

4812112177 Hydraulic pump, vibration	247
Rotary group	249
Hydraulic control	251
Port plate with valves	253
Control module	255

Bell Housing	257
Hydraulic oil filter assy	See page 237
Hydraulic pump module	259
4812112182 Hydraulic pump, steering	See page 241
Hydraulic motor	See page 183

Hydraulic system, steering

Hydraulic system, steering	261
Hydraulic cylinder	263
4812121947 Hydraulic cylinder	265
4812120830 Hydraulic cylinder	267
4812112508 Hydraulic cylinder	269
Steering valve module	271
Steering valve module	273
Hydraulic hoses, steering	275
Fan module	277
4812116231 Hydraulic motor	279
Hydraulic valve module	281
4812120840 Hydraulic valve	283
4812112238 Hydraulic valve	285

Hydraulic system, frame rear

Hydraulic system, rear frame	287
Connector kit; Frame, dividing front	289
Connector kit	291
Connector kit	293
Connector kit, Frame	295

Electrical equipment

Electric cables, power supply 1-pole

Electric cables, power supply 1-pole	297
Battery module	299
Battery disconnecter	301

Electrical cables, engine - ECU Horn, Back-up alarm

Electric cables, engine-ECU, Horn, Back-up alarm	303
Power converter module	307
Back-up alarm module, Quacker	309
Horn	311
Standard ECU assembly	313
Back-up alarm module	315
Inclination sensor module	317
Inclination sensor module	319
Driving & side direction lights, number plate light, option	321
Reversing light module	323
Tachograph, option	325
Speed sensor, frequency sensor, option	327
Pre-heater installation, option	329

Rotating beacon, working light, option

Rotating beacon, working light, option	331
Rotating beacon module	333
Bracket, Rotating beacon	335
Working light module H3	337

Compaction meter, option

Compaction meter, option	339
Power supply	341
Cable harness kit Power supply cab	343
External emergency stop, option	345

Drivers platform

Platform, rops

Platform, rops	347
----------------	-----

4812120545 Platform with 4-post ROPS

4812120545 Platform with 4-post ROPS	349
Basic kit Rops, roof, front handrail	351
Rear cover	353
Handrail	355
Cab, basic kit	357
Manual box	359
Decals basic kit	361

Cab symmetric module

Cab symmetric module	363
----------------------	-----

4812112301 Cab, cpl Comfort

4812112301 Cab, cpl Comfort	365
Screens	367
4812115202 Cab door, cpl	369
4812115200 Sliding screen, left hand	371
Windshield wiper	373
Roof	376
Heater assy	379
Hose kit heater	382
Cab Interior	385
Heater controls	387
Cab cable harness	389
Cab, electrical equipment	391
Emergency hammer, hook	393
Cab, rear cover	395
Cab, front cover	397
Floor mat	399
Step light, front wiper switches	401
Cab, basic kit	See page 357
Air channel	403
Sun-blind, inner light	405

4812112302 Cab, cpl Basic

4812112302 Cab, cpl Basic	407
Screens	See page 367
4812115202 Cab door, cpl	See page 369
4812115200 Sliding screen, left hand	See page 371
Windshield wiper	See page 373
Roof	See page 376
Heater assy	See page 379
Hose kit heater	See page 382
Cab Interior	See page 385
Heater controls	See page 387
Cab cable harness	See page 389
Cab, electrical equipment	See page 391
Emergency hammer, hook	See page 393
Cab, rear cover	409
Cab, front cover	411
Wiper switch, front	413
Cab, basic kit	See page 357
Manual box	See page 359
Decals basic kit	See page 361
Car stereo module, option	415
Rear view mirror	417

Drivers seat

Drivers seat	419
Seat frame structure	421

4700391163 Steering column	423
Seat frame adapter module, rotating	425
Seat frame adapter module, fixed	427
Floor cassette module	429
Seat comfort, fabric suspended	431
Seat, galon suspended	433
Control module	435
Forward reverse control module	437
Display unit	441

Seat belt

Seat belt 2"	443
Seat belt 3"	445
Seat belt 2" with reminder	447
Seat belt 3" with reminder	449
Reading light	451
Control panel cover	453

Decals

Decals	455
Plain Dynapac decals, kit	458

Optional equipment

Air conditioning

Air conditioning	461
Condensor assembly	463
AC module	465
4812113623 Evaporator, cpl	467
ACC module	469
4812113624 ACC kit	471
Drying filter module	473
4812114257 Drying filter assy	475
Hose assy kit for AC	477
Hose assy kit for AC	479
Compressor module	481
Compressor assembly	483

Strike off blade kit

Strike off blade kit	485
Bearing mount	487
Hydraulic and Electrical, Strike off blade kit	489
4812121948 Hydraulic cylinder	491
Strike-off blade, mount	493
Indicator, module	495
Bracket, module	497
Locking device, module	499
Dyn@Link module	501
4812013038 GPS module	503
Compaction meter (DCM)	505
Dyn@lyzer	507
Appendix B:Parts Index	509

CA1500D/PD (Deutz IIIB/T4) SN 10000160xxA012491 -



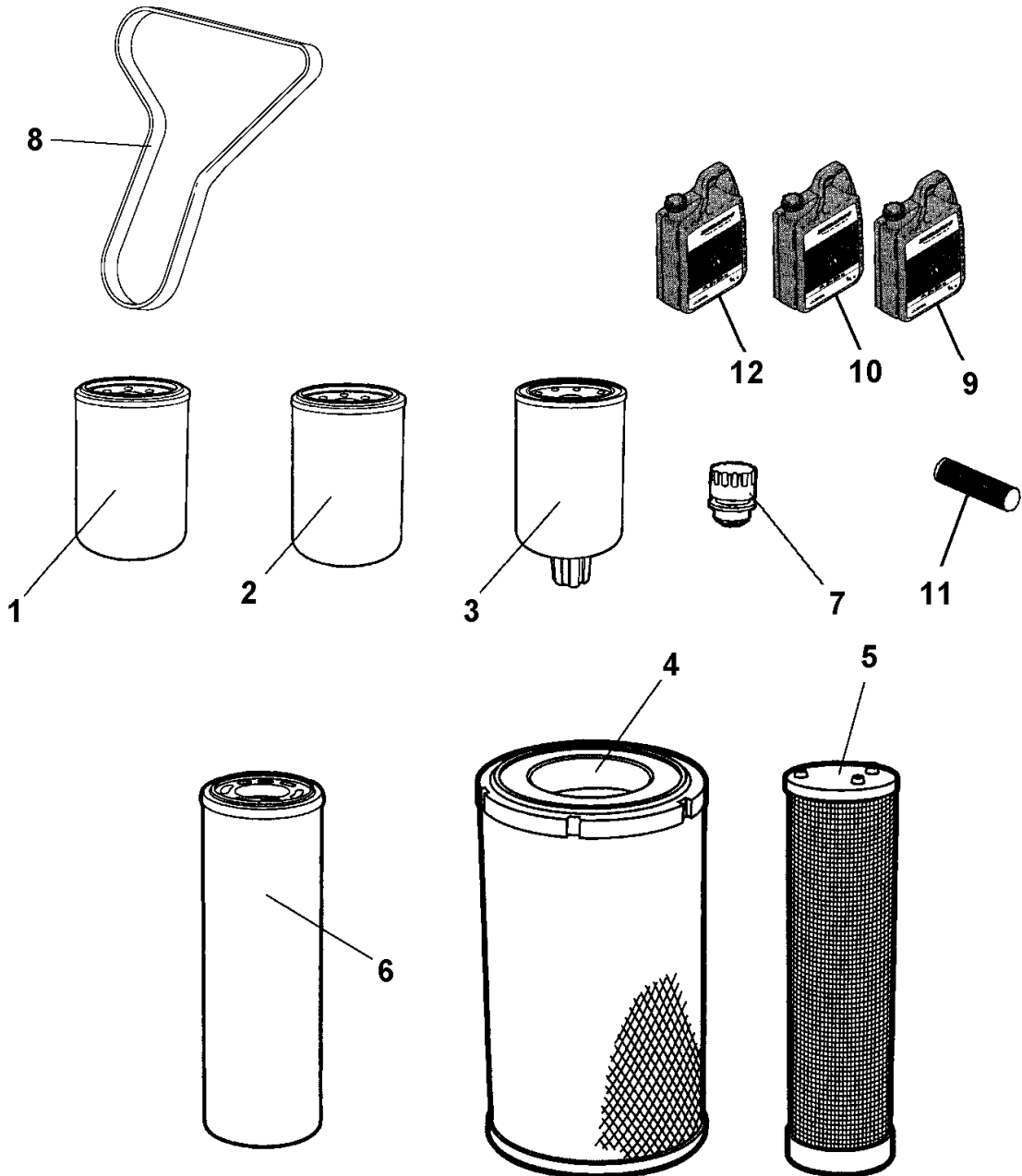
Item	Part No.	Name	Qty	L	SN INFO
1	-	Service kits	1		
2	-	Repair kits	1		
10	-	Operator platform	1		
20	-	Drum	1		
30	-	Engine	1		
40	-	Transmission	1		
50	-	Hydraulic system	1		
60	-	Electrical Equipment	1		
70	-	Drivers platform	1		
91	-	Optional equipment	1		

Service kits 4812159352 Service kit, 50h Plus

NO EXPLODED VIEW
AVAILABLE
FOR THIS BOM

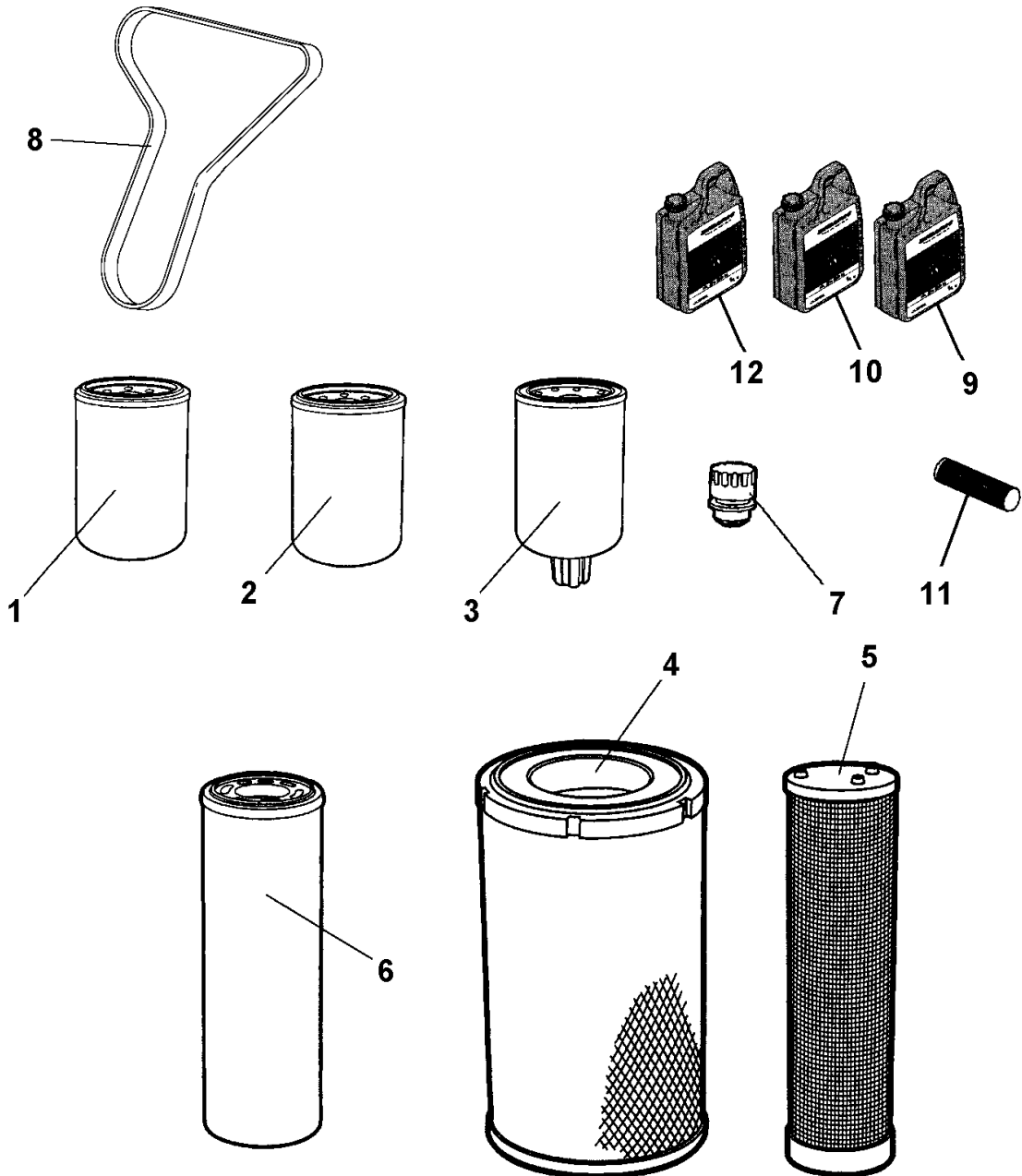
Item	Part No.	Name	Qty	L	SN INFO
0	4812159352	Service kit, 50h Plus			
1	4812112262	Hydraulic oil filter element	1		
2	4812161879	Dynapac Gear oil 200 / 5 ltr.	1		

Service kits 4812160165 Service kit, 500h



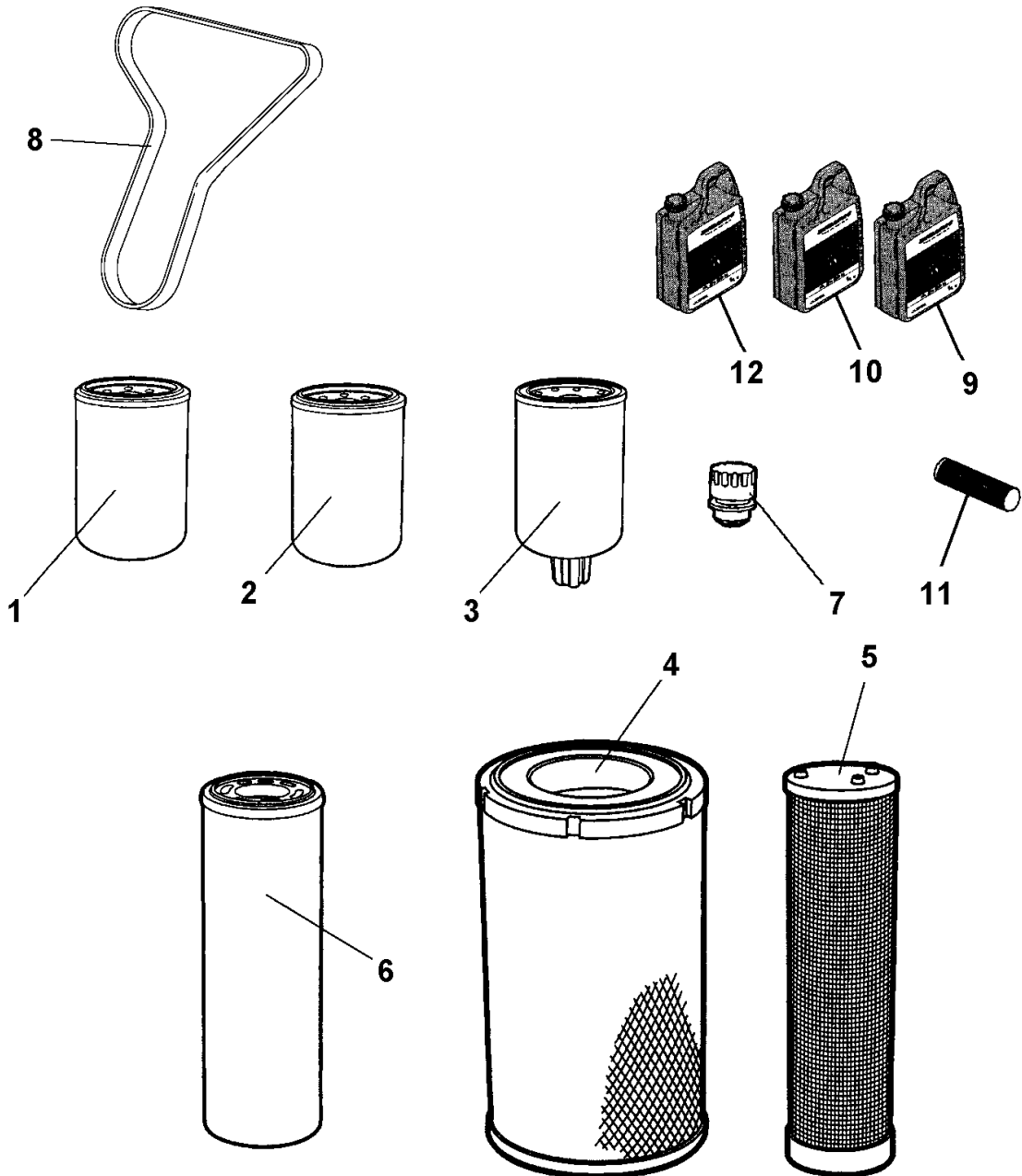
Item	Part No.	Name	Qty	L	SN INFO
0	4812160165	Service kit, 500h			
1	4700939515	Oil filter	1		
2	4812159195	Fuel filter element	1		
3	4812159376	Fuel pre-filter element	1		
4	4700378736	Air filter element Main	1		

Service kits 4812160166 Service kit, 500h Plus



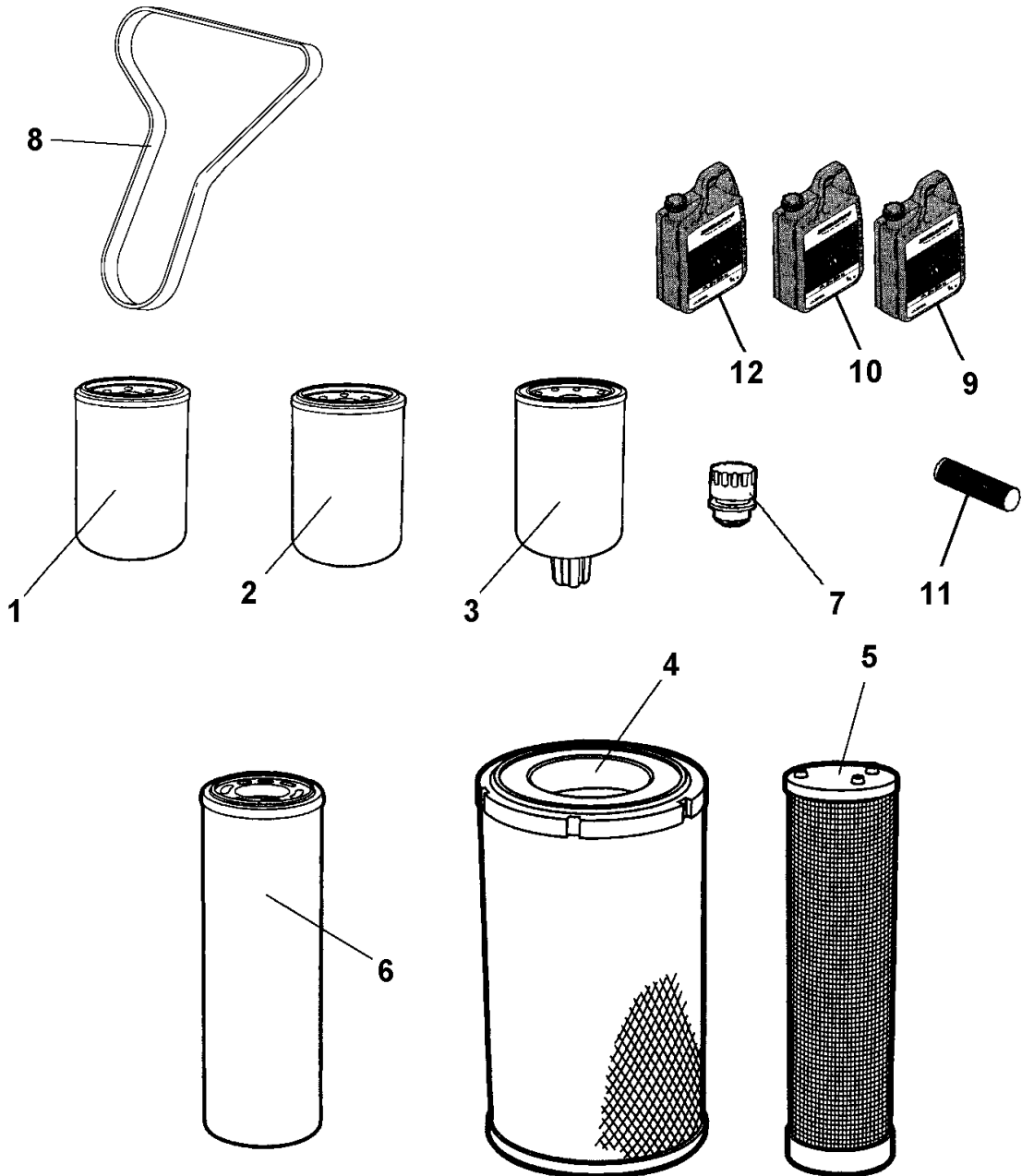
Item	Part No.	Name	Qty	L	SN INFO
0	4812160166	Service kit, 500h Plus			
1	4700939515	Oil filter	1		
2	4812159195	Fuel filter element	1		
3	4812159376	Fuel pre-filter element	1		
4	4700378736	Air filter element Main	1		
9	4812161855	Dynapac Engine oil 200 / 5 ltr.	2		

Service kits 4812160167 Service kit, 1000h



Item	Part No.	Name	Qty	L	SN INFO
0	4812160167	Service kit, 1000h			
1	4700939515	Oil filter	1		
2	4812159195	Fuel filter element	1		
3	4812159376	Fuel pre-filter element	1		
4	4700378736	Air filter element Main	1		
5	4700378735	Air filter element Safety	1		
6	4812112262	Hydraulic oil filter element	1		
7	4700357138	Ventilating filter	1		
8	4812159377	V-belt	1		

Service kits 4812160168 Service kit, 1000h Plus



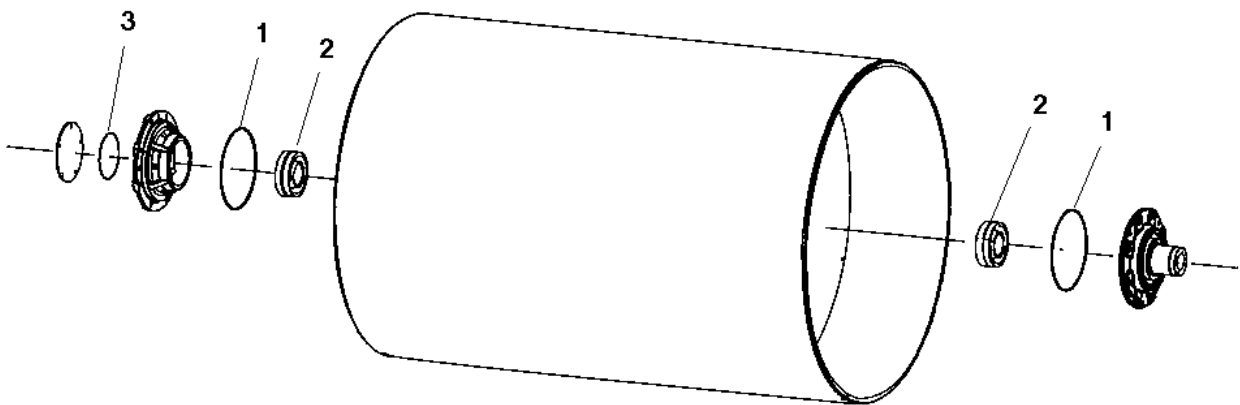
Item	Part No.	Name	Qty	L	SN INFO
0	4812160168	Service kit, 1000h Plus			
1	4700939515	Oil filter	1		
2	4812159195	Fuel filter element	1		
3	4812159376	Fuel pre-filter element	1		
4	4700378736	Air filter element Main	1		
5	4700378735	Air filter element Safety	1		
6	4812112262	Hydraulic oil filter element	1		
7	4700357138	Ventilating filter	1		
8	4812159377	V-belt	1		
9	4812161855	Dynapac Engine oil 200 / 5 ltr.	2		
10	4812161879	Dynapac Gear oil 200 / 5 ltr.	3		
11	4812030096	Dynapac Roller Grease	1		

Service kits 4812160169 Startup kit

NO EXPLODED VIEW
AVAILABLE
FOR THIS BOM

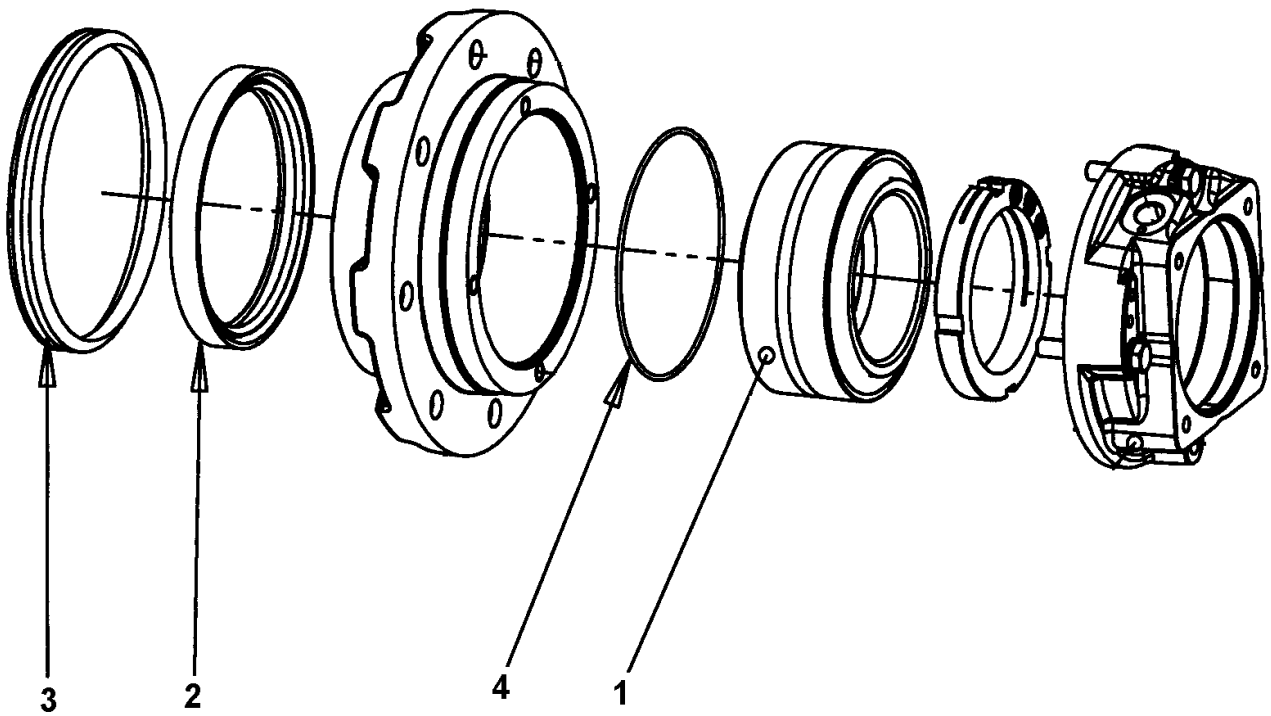
Item	Part No.	Name	Qty	L	SN INFO
0	4812160169	Startup kit	1		
1	4812159352	Service kit, 50h Plus	1		
3	4812160166	Service kit, 500h Plus	1		
5	4812160168	Service kit, 1000h Plus	1		

Repair kits 4812159976 Eccentric shaft kit



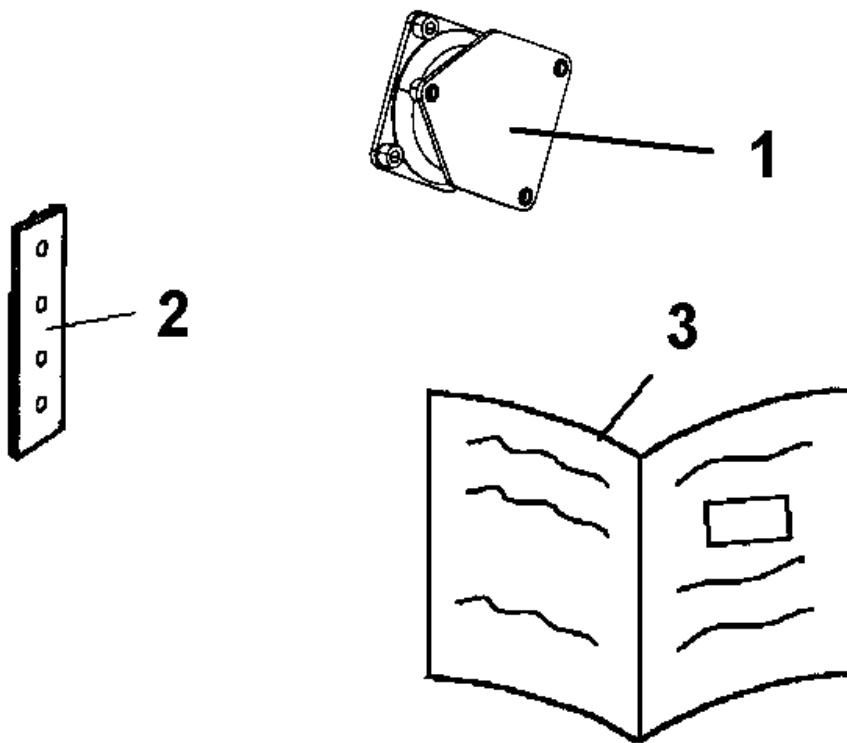
Item	Part No.	Name	Qty	L	SN INFO
0	4812159976	Eccentric shaft kit			
1	4700160344	O-ring 70	2		
2	4700114036	Spherical roller bearing	2		
3	4700160362	O-ring 70	1		

Repair kits 4812157275 Drum rotation kit



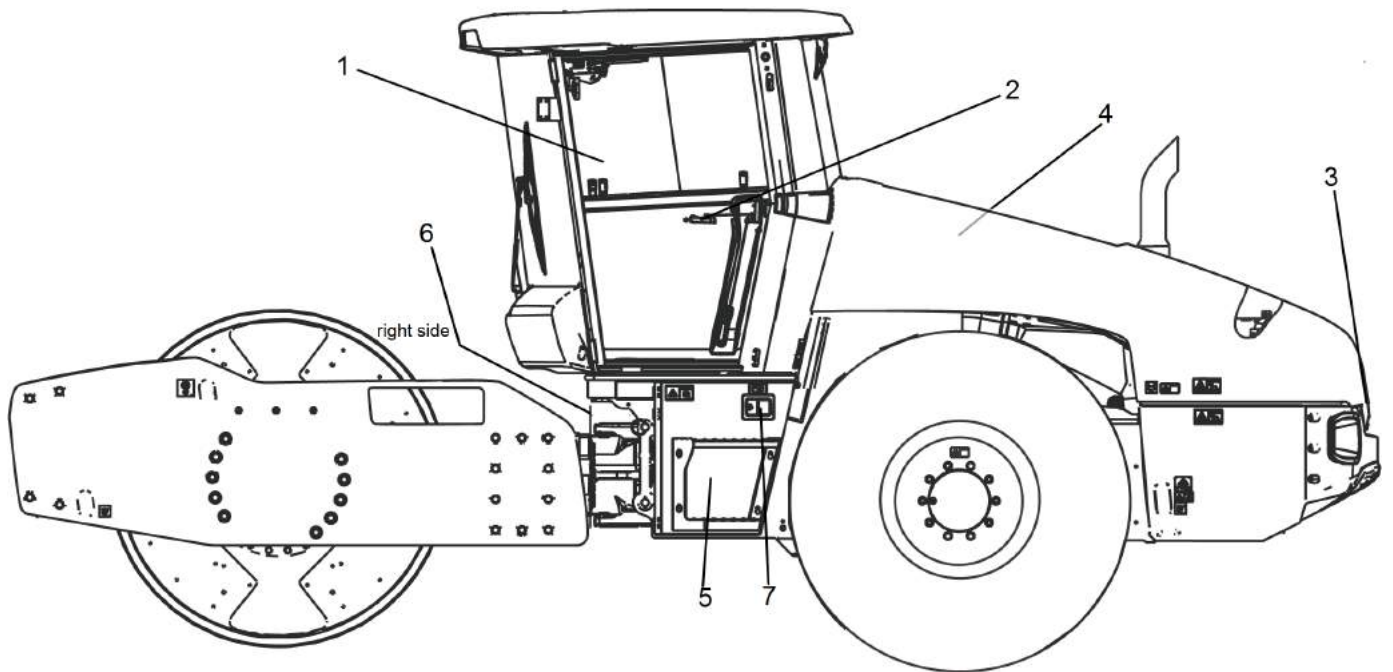
Item	Part No.	Name	Qty	L	SN INFO
0	4812157275	Drum rotation kit	1		
1	4700116041	Taper roller bearing	1		
2	4700167023	Seal ring	1		
3	4700929447	V-ring	1		
4	4700160105	O-ring 70	1		

Repair kits 4812159975 Shock absorber kit, drum



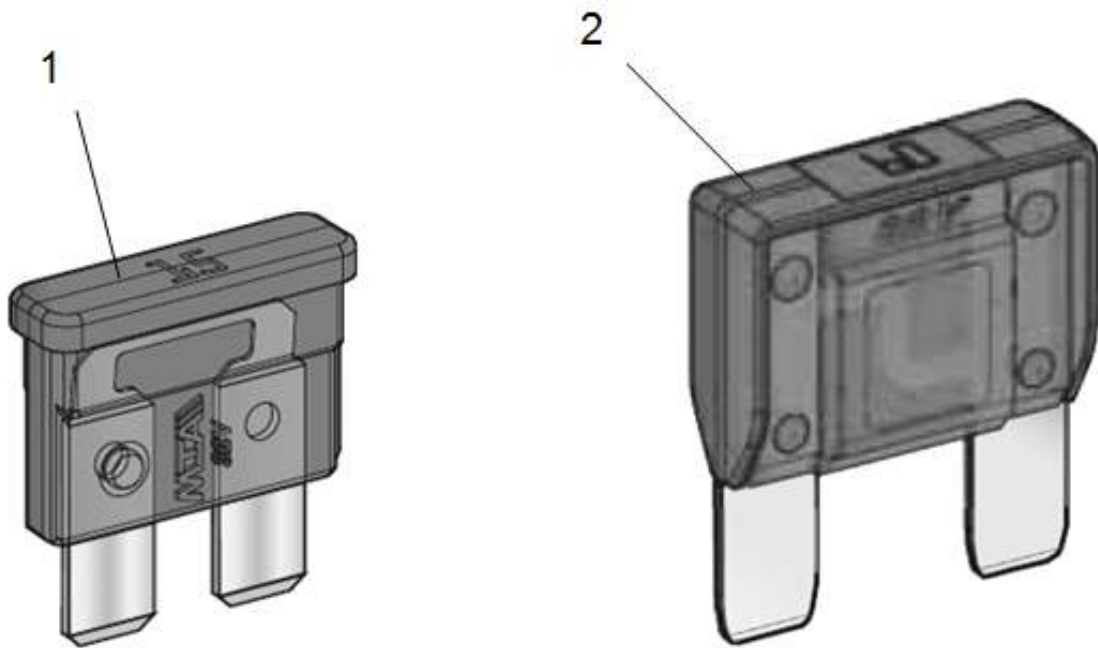
Item	Part No.	Name	Qty	L	SN INFO
0	4812159975	Shock absorber kit, drum	1		
1	4812115045	Shock absorber	10		
2	4812114344	Shim t=1mm	4		
3	4812156170	Instructions	1		

General - Keys and others Keys



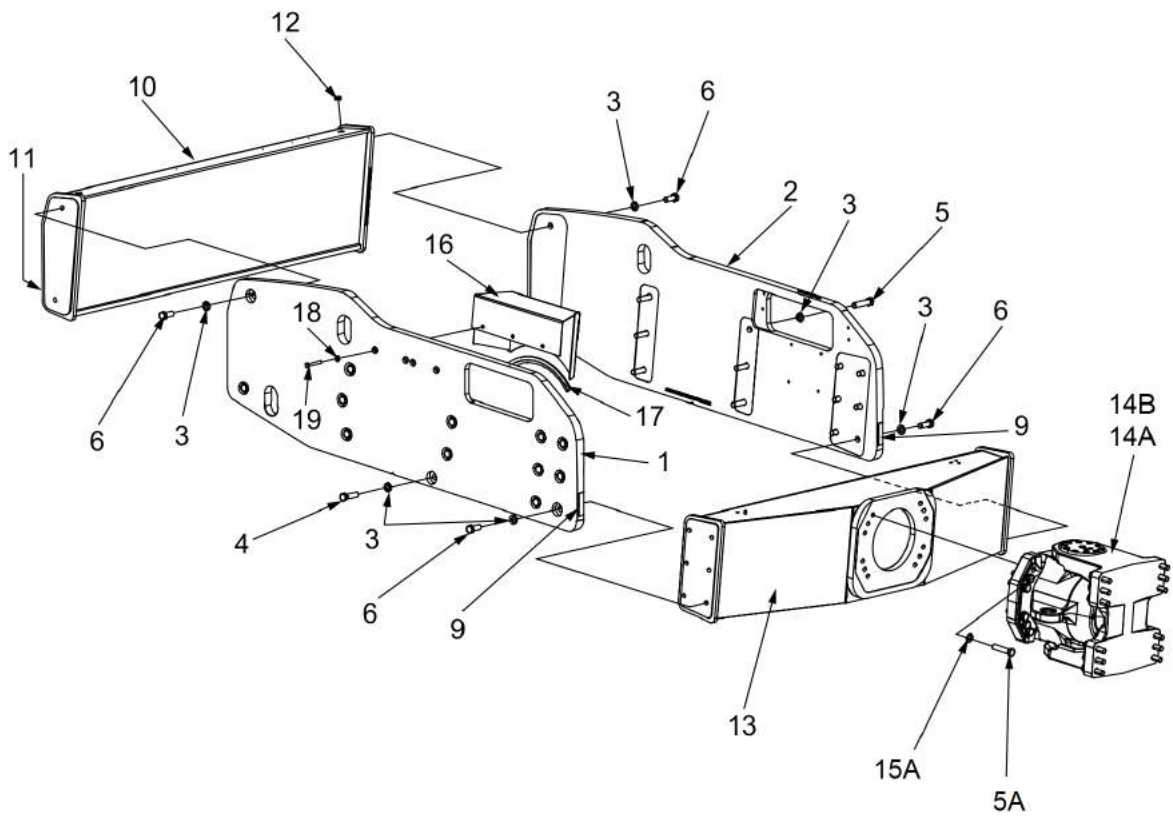
Item	Part No.	Name	Qty	L	SN INFO
1	-	Ignition switch			
1	4700940451	Ignition key			
2	-	Cab door			
2	4812159558	Key (2pcs)			
3	-	Engine hood (handle)			
3	4700902866	Key Marked "455"			
4	-	Engine cover			
4	4700902866	Key Marked "455"			
5	-	Battery switch			
5	4700903641	Battery key			
6	-	Tool box			
6	4700358881	Pad lock			
7	-	Battery space			
7	4700358881	Pad lock			
7	4812161396	Key			

General - Keys and others Fuses



Item	Part No.	Name	Qty	L	SN INFO
1	-	Fuse, blade type Medium			
1	4700901224	Fuse, 3A Violet			
1	4700901225	Fuse 5A Tan			
1	4700901226	Fuse 7.5A Brown			
1	4700901227	Fuse 10A Red			
1	4700901228	Fuse, 15A Blue			
1	4700903741	Fuse 20A Yellow			
1	4700901229	Fuse, 25A Natural			
1	4700901230	Fuse, 30A Green			
2	-	Fuse, blade typ High			
2	4700904294	Fuse 20A Yellow			
2	4700904037	Fuse 30A Green			
2	4700904038	Fuse 40A Orange			
2	4700904039	Fuse 50A Red			
2	4700904040	Fuse 60A Blue			
2	4700904041	Fuse 70A Tan			
2	4700904042	Fuse 80A Natural (White)			

Frame, front Frame, front



Refer to Parts Online for the most up to date information. The printed information might be outdated.

Wed Apr 11 13:33:02 UTC 2018

Item	Part No.	Name	Qty	L	SN INFO
1	-	Side plate lh	1		
2	-	Side plate rh	1		
3	4700903290	Steel plain washer 21x36x6	28		
4	4700500284	Screw	6		
5	4700925208	Screw M20x90	6		
5A	4700925208	Screw M20x90	24		To A016352 excl. A016301, A016318
6	4700927411	Screw	16		
9	4700377742	Reflector, red	2		
10	4812115978	Cross beam	1	B	
10	4812116600	Cross beam	1	C	
11	4700377743	Reflector, white	2		
12	4700791396	Protective plug	2		
13	4812115956	Cross beam	1	B	
13	4812116598	Cross beam	1	C	
14A	4812120697	Steering hitch, cpl	1		To A016352 excl. A016301, A016318
14B	-	Steering hitch module	1		From A016353 incl. A016301, A016318
15A	4700904233	Steel plain washer 21x36x3	24		To A016352 excl. A016301, A016318
16	4812112535	Protective hood	1		
17	4700902166	Edge trim	1XL	A	
18	4700904230	Plain washer 10.5x22x2 mm	3		
19	4700500109	Screw, M10x65 mm 8.8 A3K	3		

Comments for Page: Frame, front

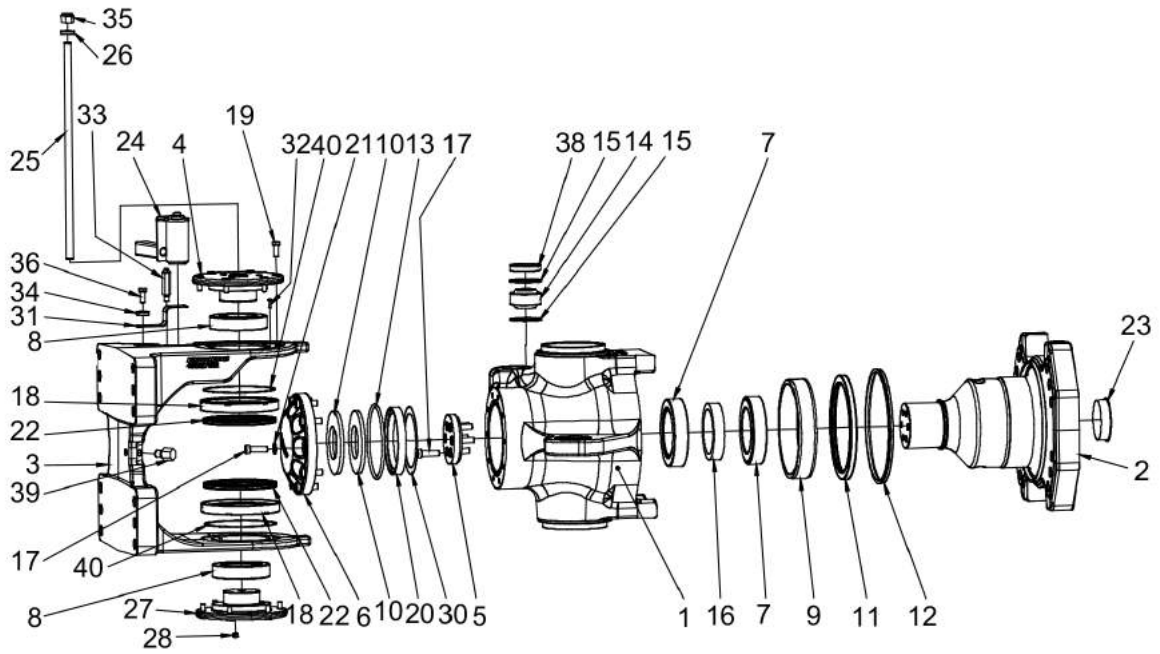
(L)OCAL REMARKS

A | en_US | L = 0.37m

B | CA1500

C | CA1800

Frame, front 4812120697 Steering hitch, cpl.

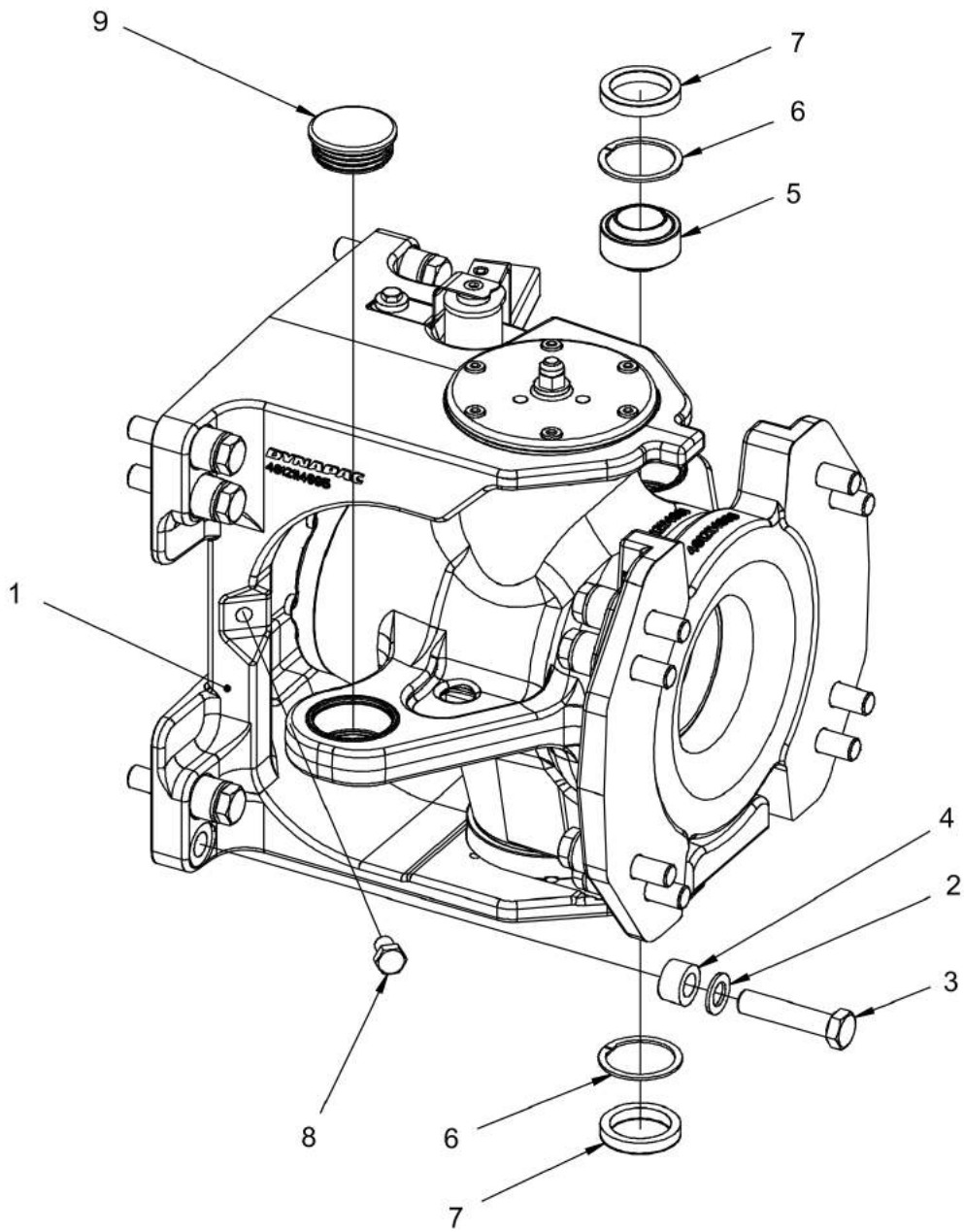


Item	Part No.	Name	Qty	L	SN INFO
1	4812117508	Yoke	1		
2	4812115392	Shaft	1		
3	4812120696	Holder	1		
4	4812121396	Shaft	1		
5	4812115949	Cover cup	1		
6	4812115950	Cover cap	1		
7	4812116334	Spherical plain bearing	2		
8	4812115467	Spherical plain bearing	2		
9	4812115398	Bushing	1		
10	4812116333	Disc spring	2		
11	4700391031	Radial lip-type seal	1		
12	4700792515	Sealing, v-ring	1		
13	4700160296	O-ring 70	1		
14	4812116821	Radial spherical plain bearing	1		
15	4700151023	Retaining ring	2		
16	4812116340	Spacer washer	1		
17	4700792394	Screw	16		
18	4812121398	Radial seal	2		
19	4812120414	Hexagon socket head cap screw w Tuflok	12		
20	4812115947	Washer	1		
21	4700904231	Washer, 13x24x2 mm 300 HV	10		
22	4812120615	Radial lip-type seal	2		
23	4812116702	Protective plug	1		
24	4812119809	Locking pin cpl	1		
25	4812120618	Threaded stud	1		
26	4700904558	Washer, 17x30x6 mm 300 HV	1		
27	4812121397	Shaft	1		
28	4700792083	Plug	6		
30	4812117530	Shim washer	1		
31	4812121665	Stop plate	1		
32	4812121282	Thread forming screw m	8		
33	4812119807	Holder	1		
34	4700904567	Washer, 10.5x28x6 mm	1		
35	0291112842	Lock nut M	1		
36	4700500028	Screw, M10 x 25 mm 8.8 A3K	1		
38	4812120661	Sealing strip	1		
39	4812120702	Stop plate	1		
40	4812121111	O-ring	2		

Refer to Parts Online for the most up to date information. The printed information might be outdated.

Wed Apr 11 13:33:02 UTC 2018

Frame, front Steering hitch module

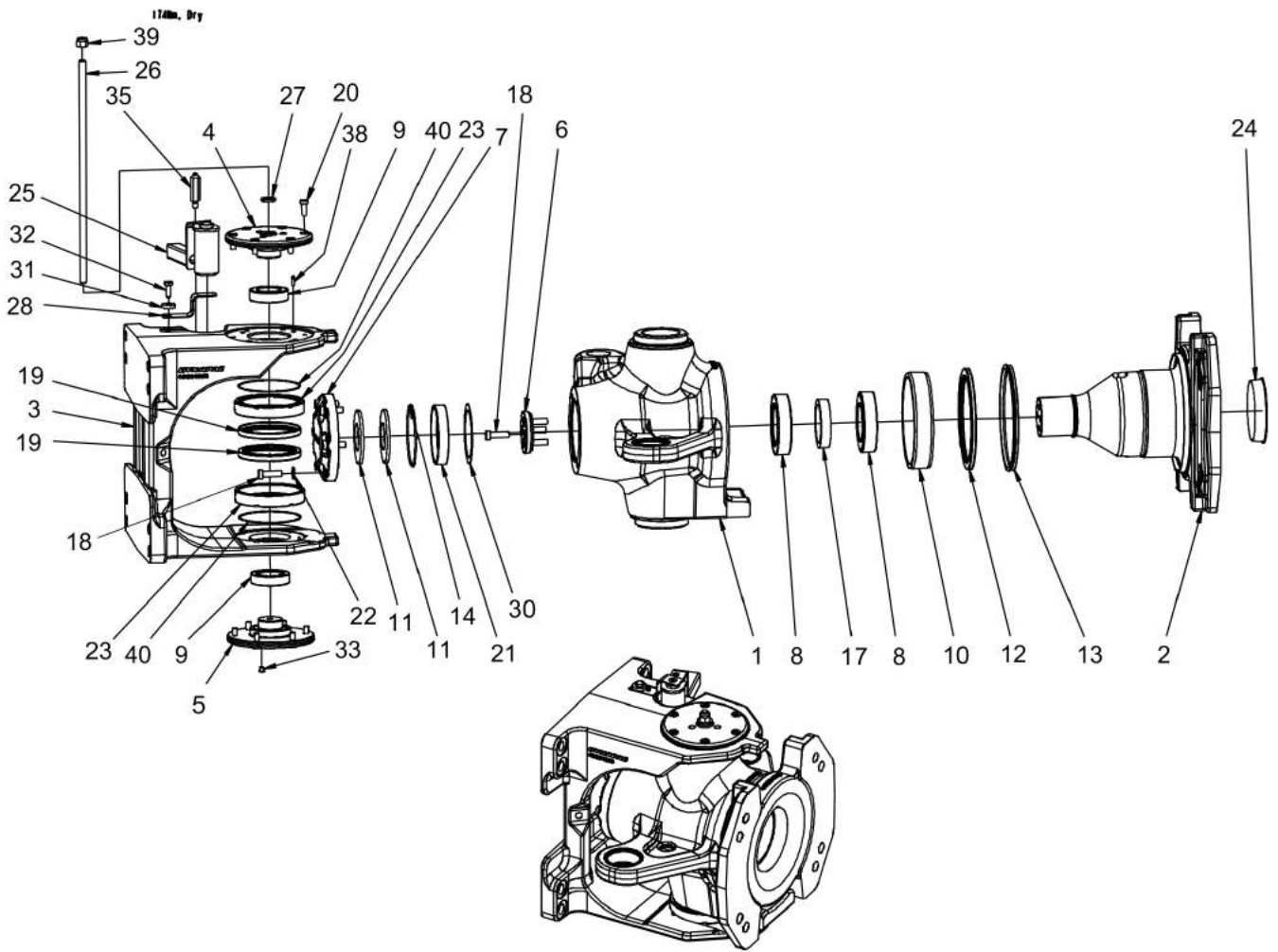


Refer to Parts Online for the most up to date information. The printed information might be outdated.

Wed Apr 11 13:33:03 UTC 2018

Item	Part No.	Name	Qty	L	SN INFO
1	4812114990	Steering hitch, cpl	1		
2	4700904233	Steel plain washer 21x36x3	16		
3	4700925208	Screw M20x90	16		
4	4812110366	Spacer	16		
5	4812116821	Radial spherical plain bearing	1		
6	4700151023	Retaining ring	2		
7	4812120661	Sealing strip	2		
8	4700500119	Screw	1		
9	4812123683	Protective plug	1		

Frame, front 4812114990 Steering hitch, cpl



Refer to Parts Online for the most up to date information. The printed information might be outdated.

Wed Apr 11 13:33:03 UTC 2018

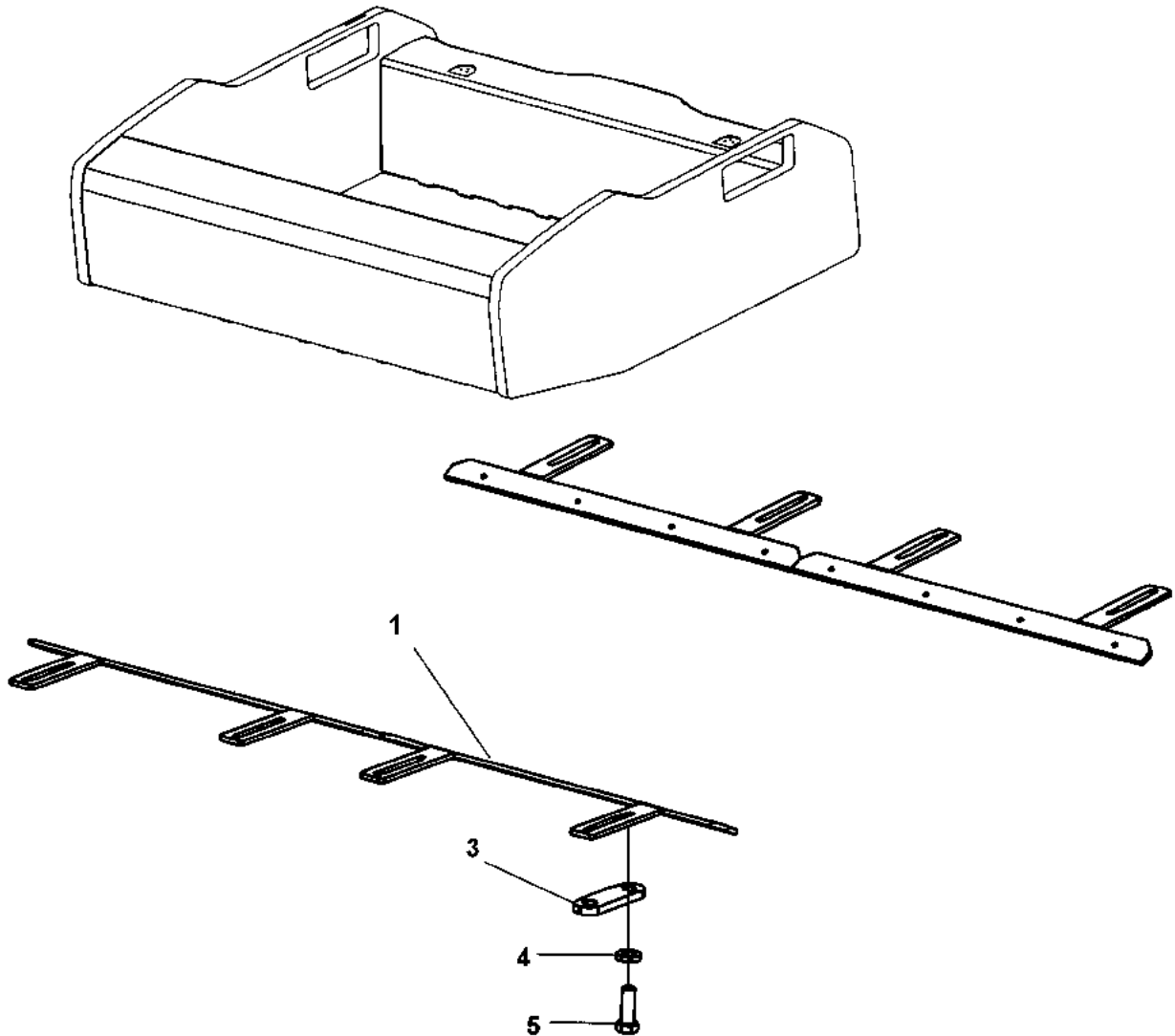
Item	Part No.	Name	Qty	L	SN INFO
1	4812114991	Hitch yoke	1		
2	4812114993	Shaft	1		
3	4812114995	Hitch holder	1		
4	4812114997	Shaft	1		
5	4812117867	Shaft	1		
6	4812115424	Cover cap	1		
7	4812115425	Cover cap	1		
8	4812115467	Spherical plain bearing	2		
9	4812115468	Angular contact spherical	2		
10	4812114999	Bushing	1		
11	4812115422	Disc spring	2		
12	4812115427	Radial lip-type seal	1		
13	4700792516	Sealing, V-ring	1		
14	4700160132	O-ring 70	1		
17	4812115000	Spacer washer	1		
18	4700792394	Screw	10		
19	4812120707	Radial lip-type seal	2		
20	4812120414	Hexagon socket head cap screw w Tuflok	12		
21	4812115423	Spacer washer	1		
22	4700904231	Washer, 13x24x2 mm 300 HV	6		
23	4812120681	Back-up ring	2		
24	0686901038	Protective plug	1		
25	4812119809	Locking pin cpl	1		
26	4812124006	Threaded stud	1		
27	4700904214	Washer 15x30x4 300 HV	1		
28	4812121665	Stop plate	1		
30	4812116680	Shim washer	1		
31	4700904567	Washer, 10.5x28x6 mm	1		
32	4700500028	Screw, M10 x 25 mm 8.8 A3K	1		
33	4700902919	Plug	6		
35	4812119807	Holder	1		
38	4812121282	Thread forming screw m	8		
39	4812124012	Lock nut M	1		
40	4700160372	O-ring 70	2		

Scrapers, option Scrapers, option

NO EXPLODED VIEW
AVAILABLE
FOR THIS BOM

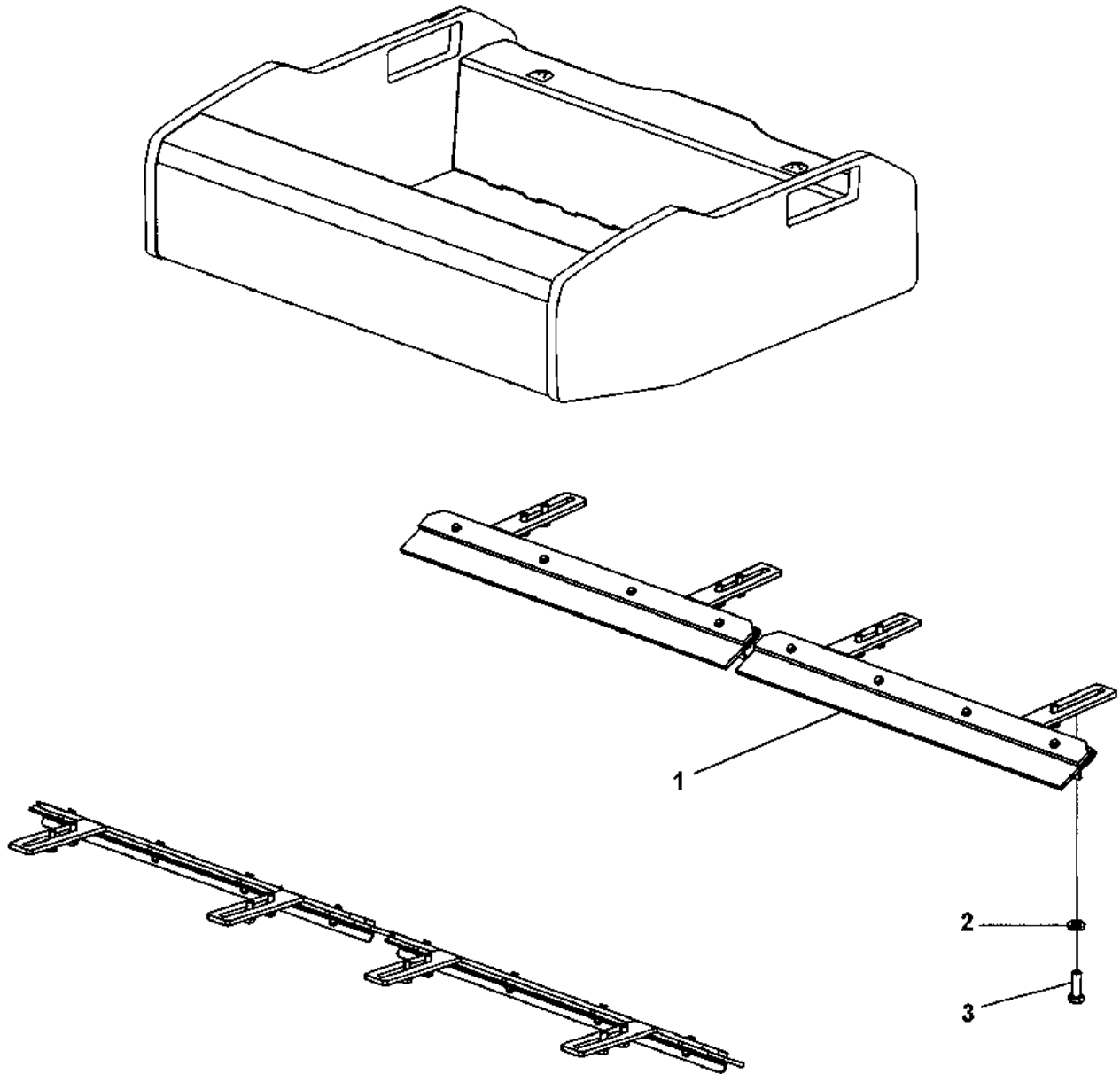
Item	Part No.	Name	Qty	L	SN INFO
1	-	Scraper module	4		
2	-	Scraper module Rubber	4		
3	-	Scraper module PD Hardox	20		

Scrapers, option Scraper module



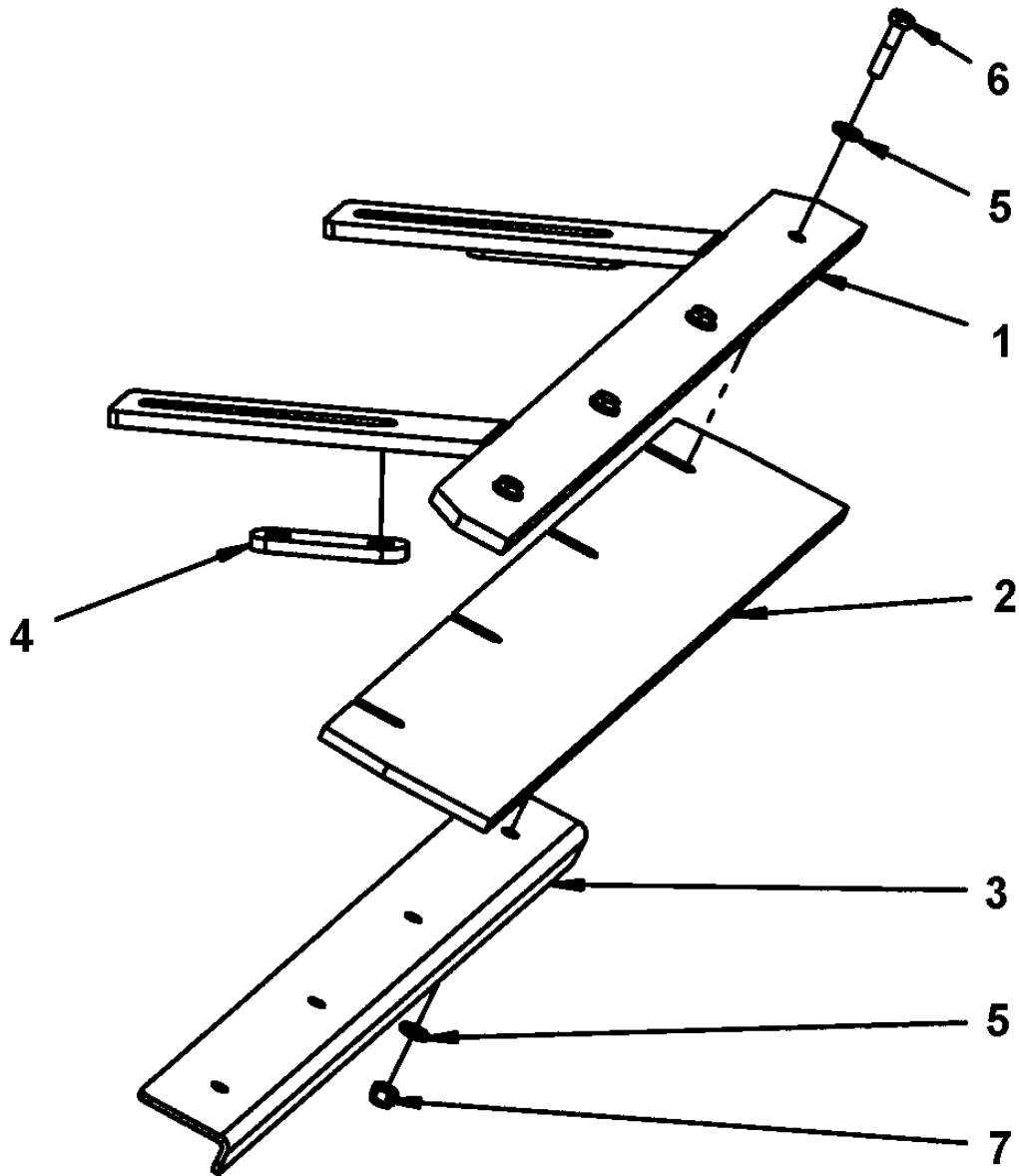
Item	Part No.	Name	Qty	L	SN INFO
1	4812116758	Scraper	1		
3	4812111103	Holder	2		
4	4700904558	Washer, 17x30x6 mm 300 HV	4		
5	4700500102	Hex. screw	4		

Scrapers, option Scraper module Rubber



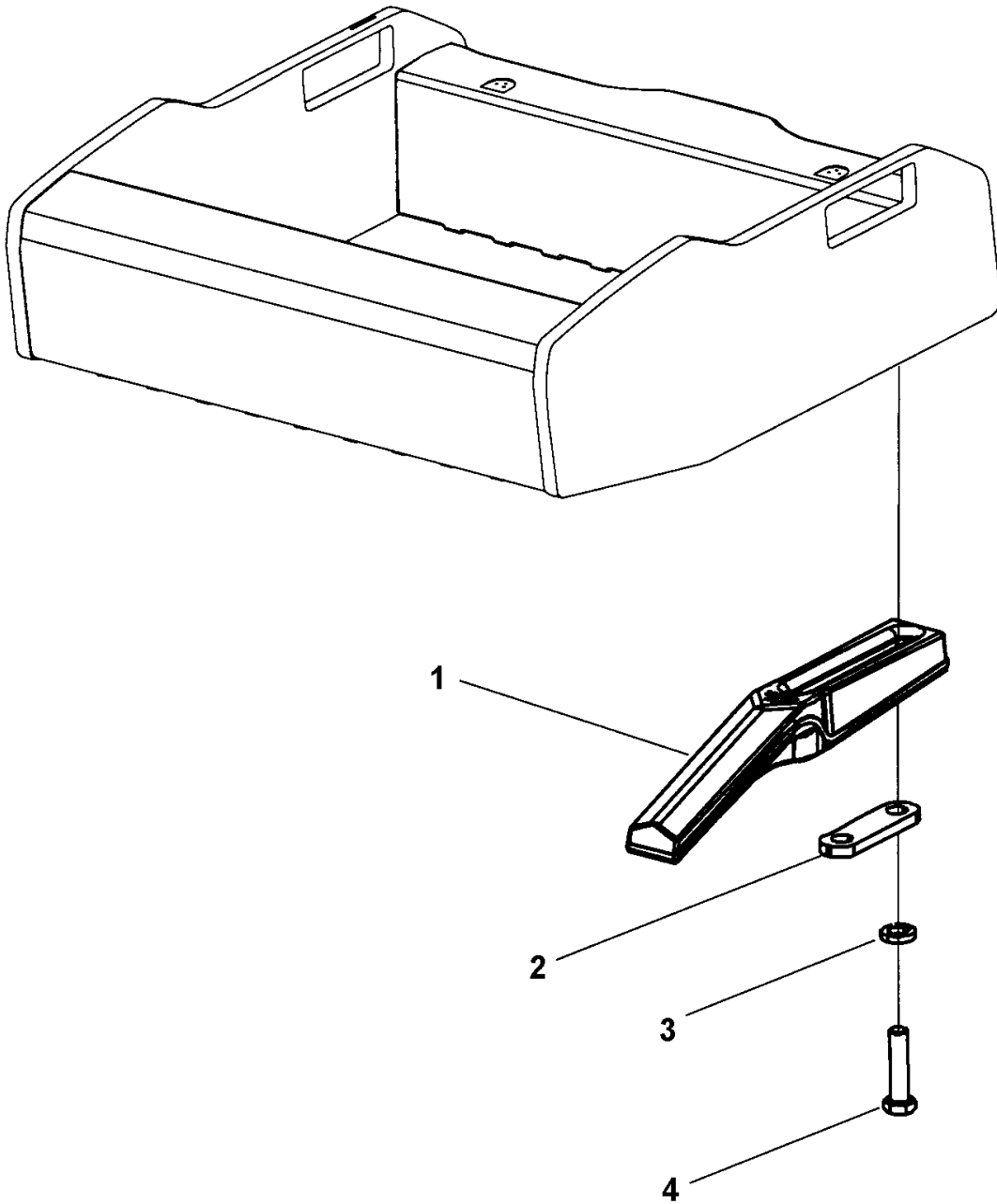
Item	Part No.	Name	Qty	L	SN INFO
1	-	Scraper assy	1		
2	4700904558	Washer, 17x30x6 mm 300 HV	4		
3	4700500102	Hex. screw	4		

Scrapers, option Scraper assy



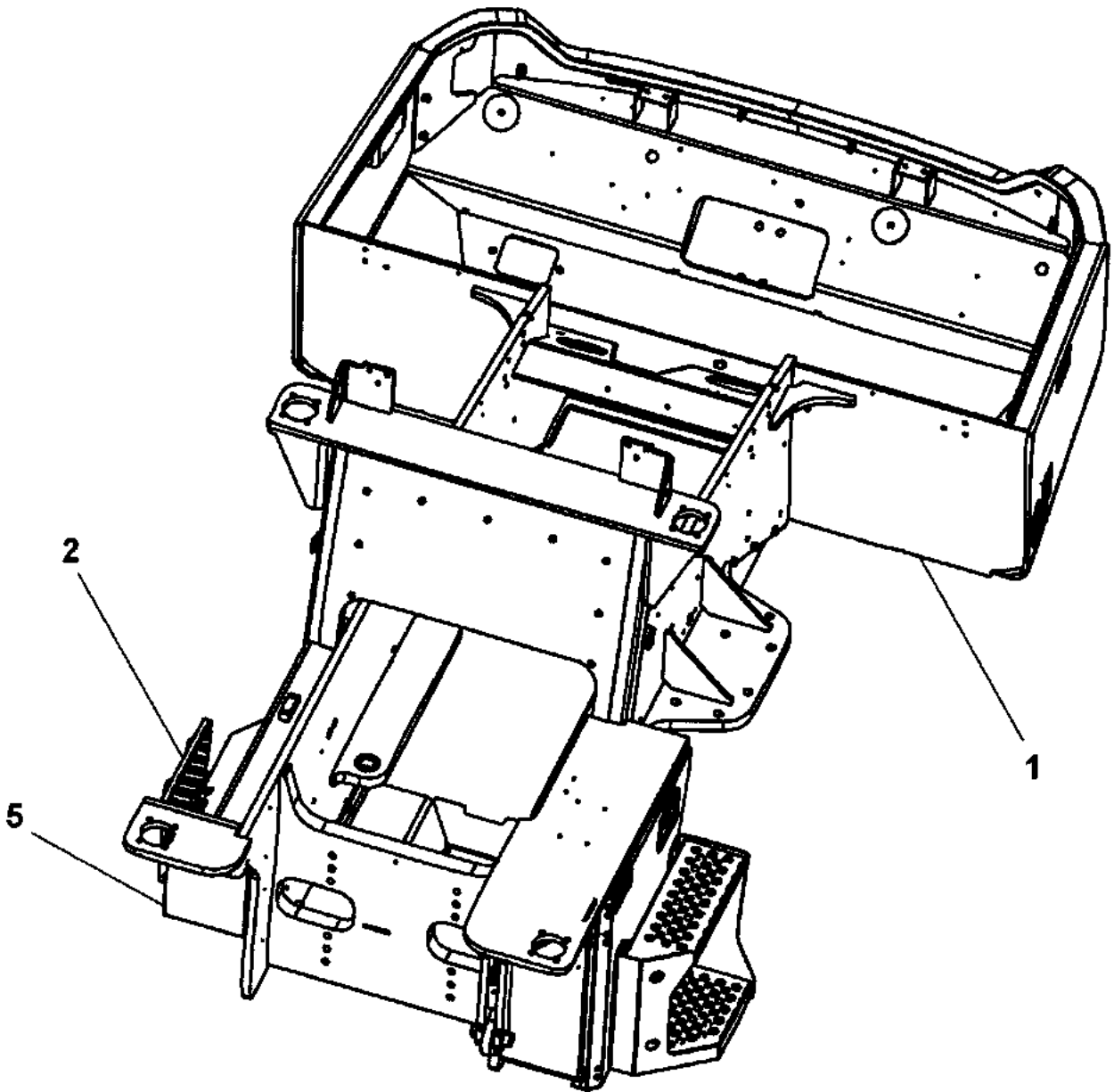
Item	Part No.	Name	Qty	L	SN INFO
1	4812116758	Scraper	1		
2	4812116782	Scraper blade	1		
3	4812116796	Bracket	1		
4	4812111103	Holder	2		
5	4700904230	Plain washer 10.5x22x2 mm	8		
6	4700500161	Screw	4		
7	4700586018	Lock nut M10	4		

Scrapers, option Scraper module PD



Item	Part No.	Name	Qty	L	SN INFO
1	4812115673	Scraper tooth	1		
2	4812111103	Holder	1		
3	4700904558	Washer, 17x30x6 mm 300 HV	2		
4	4812110572	Screw w Tuflok	2		

Frame, rear Frame, rear



Refer to Parts Online for the most up to date information. The printed information might be outdated.

Wed Apr 11 13:33:04 UTC 2018

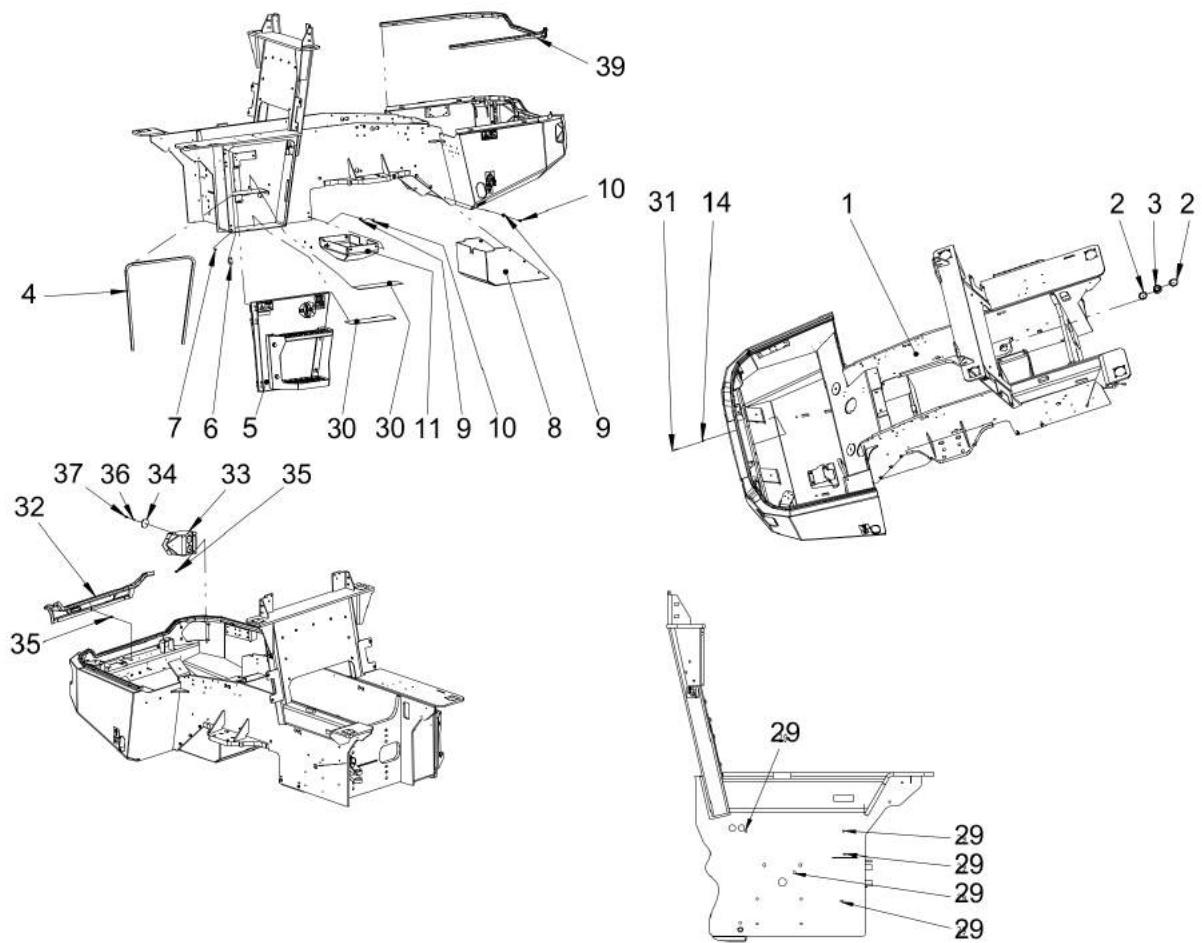
Item	Part No.	Name	Qty	L	SN INFO
1	-	Frame, rear	1		
2	-	Step module	1	A	
5	-	Tool box module, Option	1		

Comments for Page: Frame, rear

(L)OCAL REMARKS

A | en_US | Used with cab.

Frame, rear Frame, rear



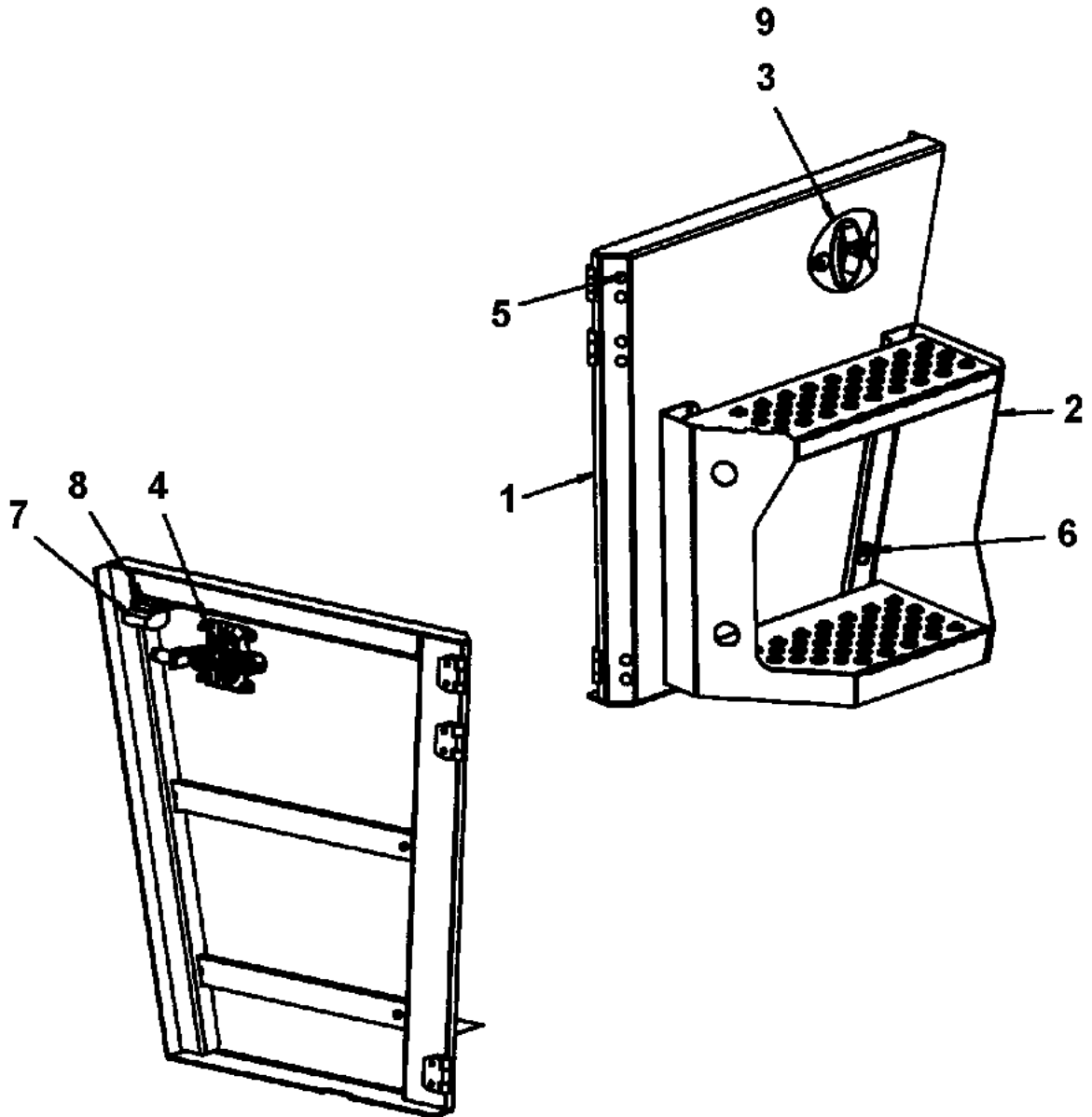
Item	Part No.	Name	Qty	L	SN INFO
1	4812112823	Frame rear	1		
2	4700151023	Retaining ring	2		
3	4812116821	Radial spherical plain bearing	1		
4	4700202057	Rubber edge trim	0		
5	-	Cover assembly	1		
6	4700389857	Threaded plate	3		
7	4700513012	Screw, M6 x 20 mm 10.9 GEOMET®	6		
8	4812115294	Cover plate	1		
9	4700904557	Washer, 10.5x22x4 mm 300 HV	10		
10	4700500031	Screw M10x40	10		
11	4812117048	Cover plate	1		
14	4700570005	Hexagon nut	1		
27	4700377744	Reflector, yellow	2		
29	4700926215	Protective plug	5		
30	4700355608	Slip protection	2		
31	0248998073	Threaded stud	1		
32	4812120153	Cover	1		
33	4812120160	Holder	2		
34	4700791956	Reflector, red	4		
35	4700903586	Nut, M8 x 1.25 mm A2K	13		
36	4700904228	Washer 6,4x12x1,5	8		
37	4700791666	Blind rivet	4		
39	4812120363	Edge trim	1XL	A	
40	4812120661	Sealing strip	1		

Comments for Page: Frame, rear

(L)OCAL REMARKS

A | en_US | L = 3.1m

Frame, rear Cover assembly

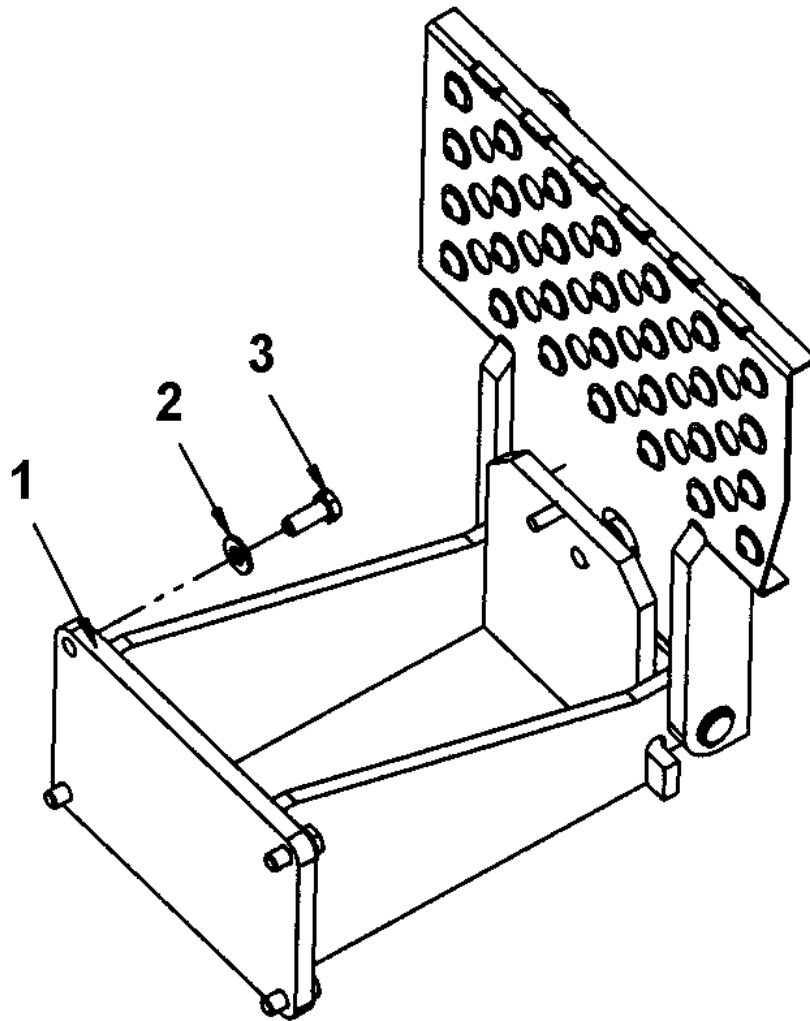


Refer to Parts Online for the most up to date information. The printed information might be outdated.

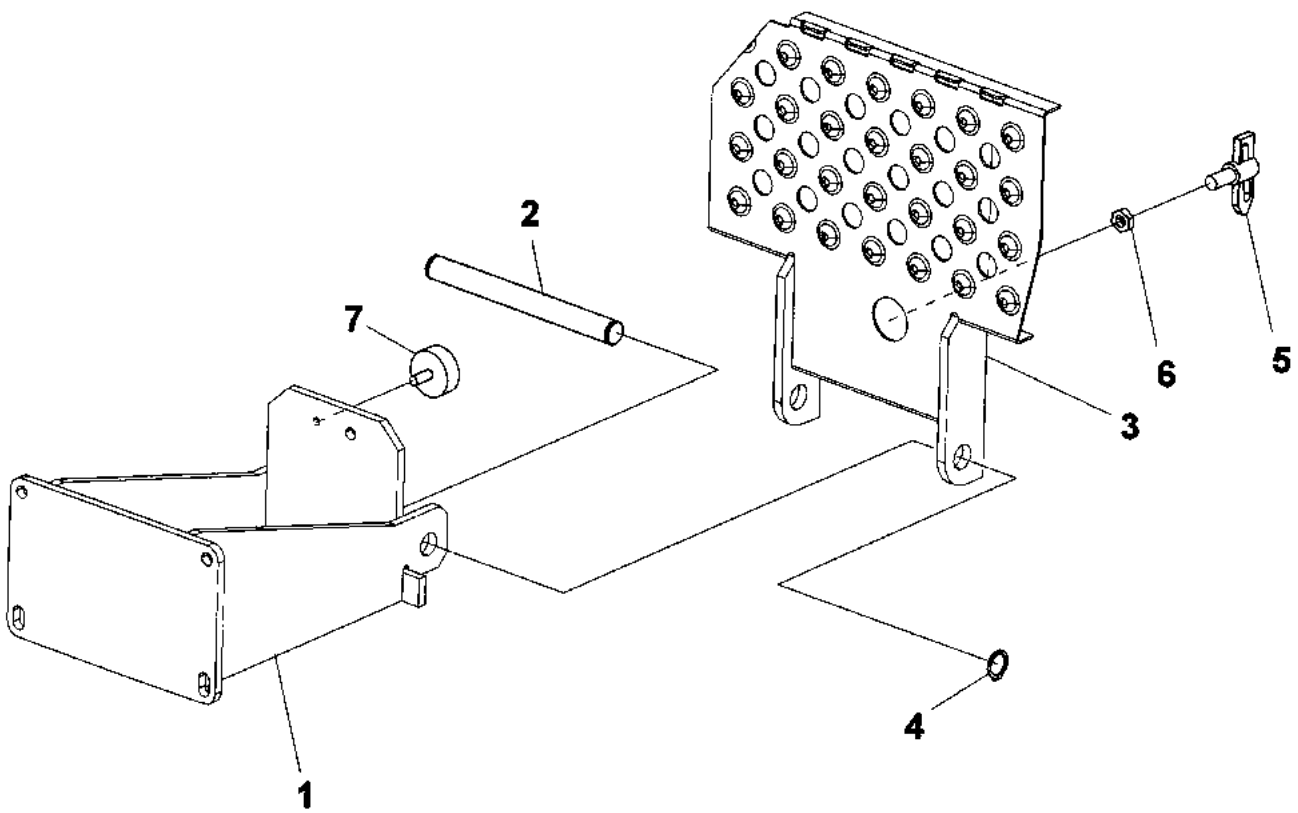
Wed Apr 11 13:33:05 UTC 2018

Item	Part No.	Name	Qty	L	SN INFO
1	4812113315	Cover	1		
2	4812112059	Step assy	1		
3	4812121914	Lock with bracket	1		
4	4700902285	Nut	4		
5	4700921723	Plug	6		
6	4700508028	Screw, M10x20H	4		
7	4700390365	Spacer	1		
8	4700513017	Screw	2		
9	4700358881	Pad lock	1		

Frame, rear Step module



Item	Part No.	Name	Qty	L	SN INFO
1	-	Step assy	1		
2	4700904230	Plain washer 10.5x22x2 mm	4		
3	4700500028	Screw, M10 x 25 mm 8.8 A3K	4		

Frame, rear Step assy

Refer to Parts Online for the most up to date information. The printed information might be outdated.

Wed Apr 11 13:33:05 UTC 2018

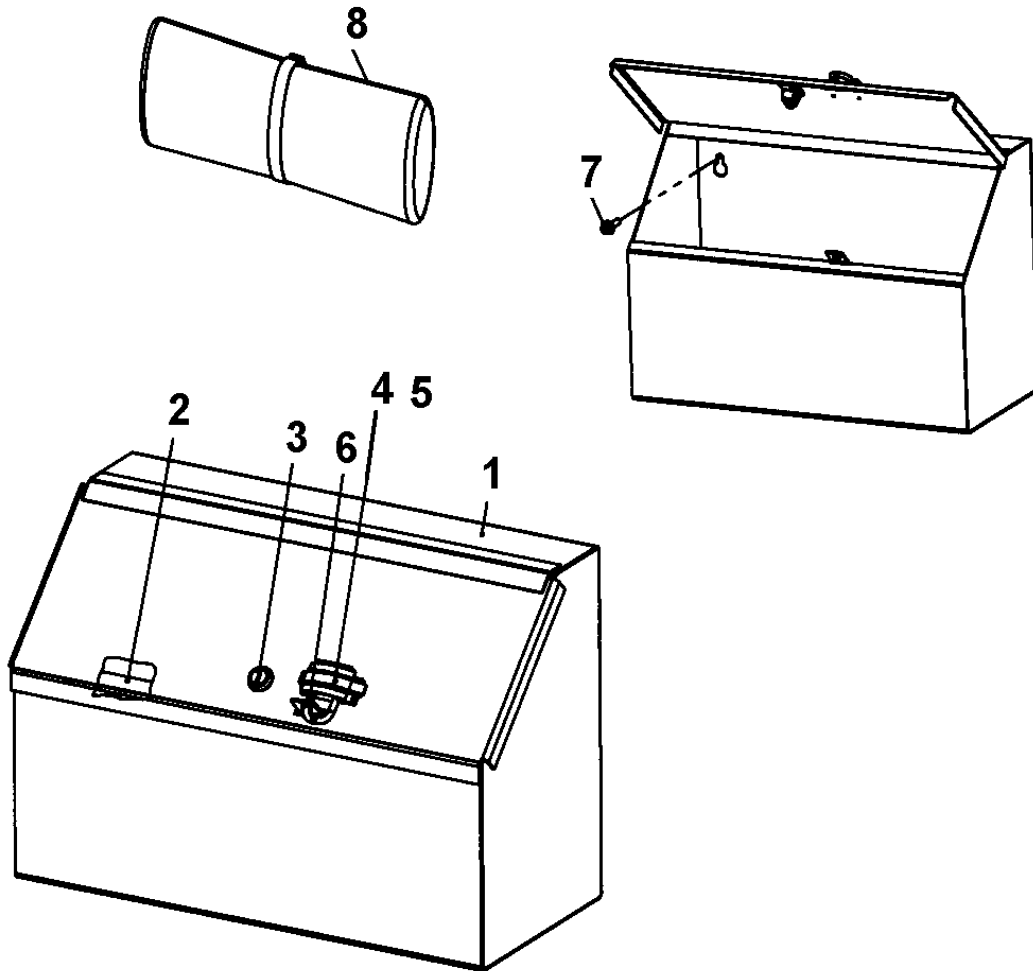
Item	Part No.	Name	Qty	L	SN INFO
1	4812116653	Bracket	1	A	
2	4812116651	Shaft	1	A	
3	4812116652	Step	1	A	
4	4700150008	Circlip	2		
5	4700475064	Lock	1		
6	4700927233	Nut	1		
7	4700792601	Shock absorber	1		

Comments for Page: Step assy

(L)OCAL REMARKS

A | en_US | Item 1, 2 and 3 used together.

Frame, rear Tool box module, Option



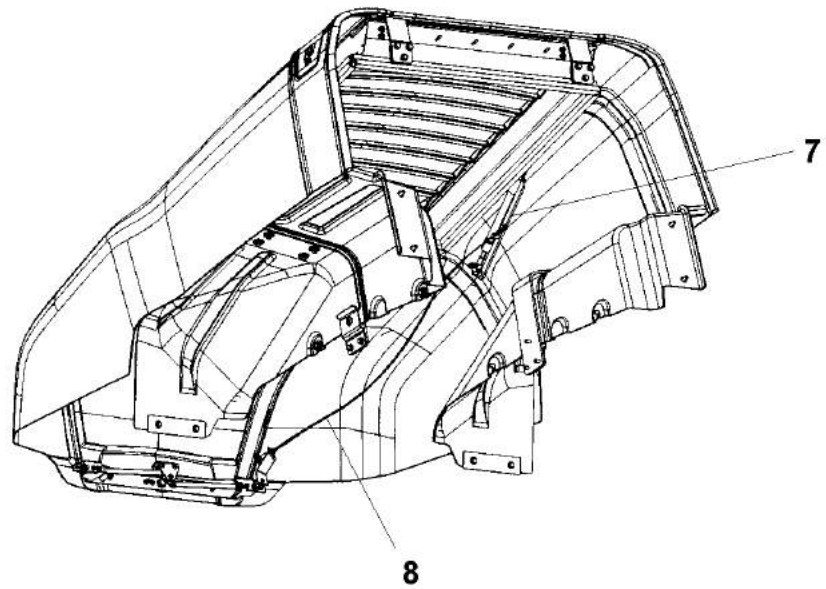
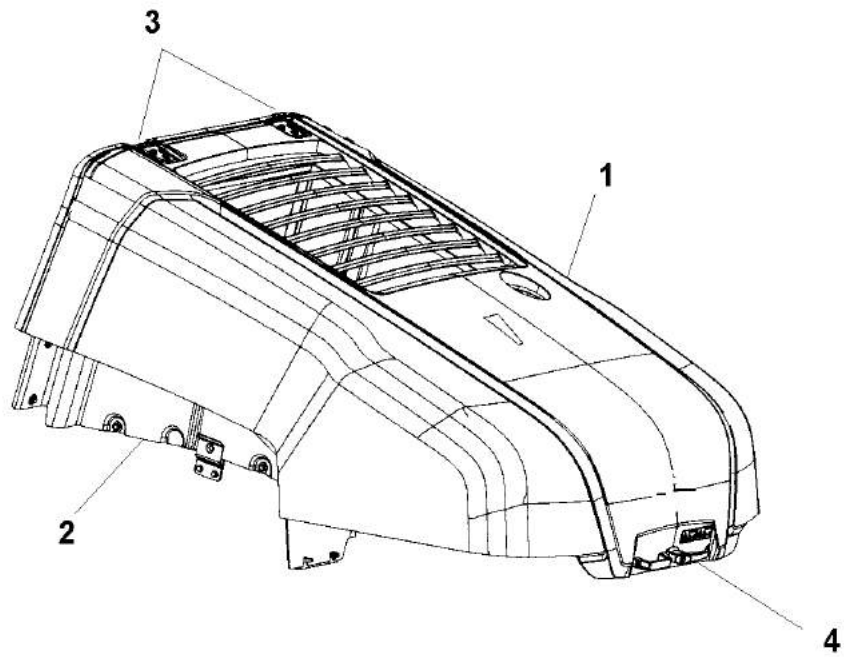
Item	Part No.	Name	Qty	L	SN INFO
1	4812114756	Tool box	1		
2	4700903615	Rubber strip	1XL	A	
3	4700372658	Lock	1		
4	4700394536	Wiring clip	1		
5	4700624018	Blind rivet	2		
6	4700358881	Pad lock	1		
7	4700902041	Screw, M8x25mm 8.8 A2K	3		
8	4700355889	Tool set Cpl	1		

Comments for Page: Tool box module, Option

(L)OCAL REMARKS

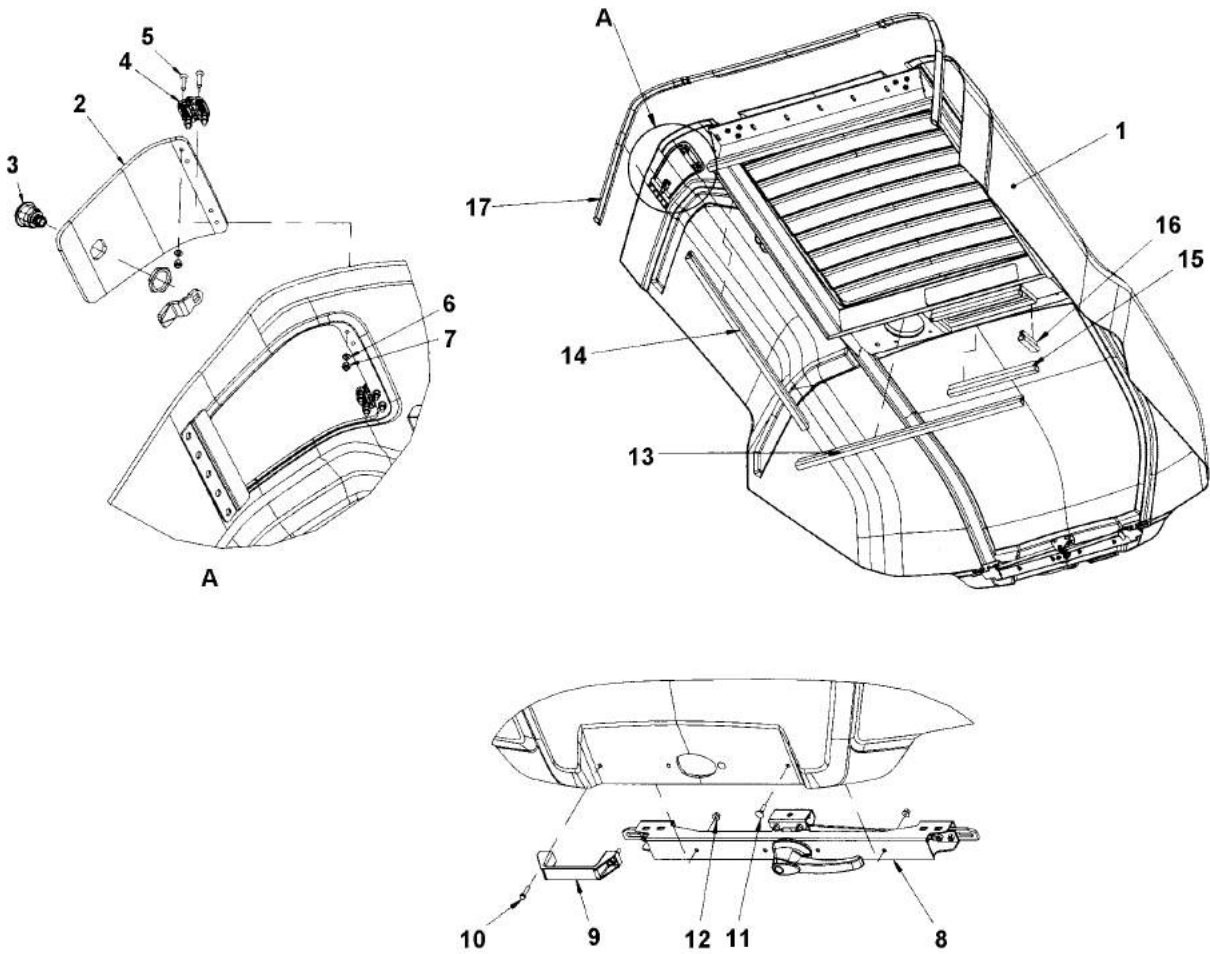
A | en_US | L=0.48m

Engine structure Engine structure



Item	Part No.	Name	Qty	L	SN INFO
1	-	Engine hood module	1		
2	-	Fender module	1		
3	-	Hinge module	2		
4	-	Lock handle assy	1		
7	-	Gas spring module	1		
8	-	Safety link module	1		

Engine structure Engine hood module



Item	Part No.	Name	Qty	L	SN INFO
1	4812116812	Engine hood Cpl	1		
2	4812116815	Cover	1		
3	4812112834	Lock	1		
3	4700902866	Key Marked "455"	2		
4	4812116862	Hinge	2		
5	4812118976	Hex.sock.flat head cap screw	8		
6	4700904698	Plain washer	8		
7	4700923976	Lock nut	8		
8	4812118994	Lock handle, cpl	1		
9	4812112404	Grab handle	1		
10	4700500075	Screw, M6-1,0x25 mm 8.8	2		
11	4700903923	Cup square neck bolt	2		
12	4700902285	Nut	4		
13	4812117839	Sealing strip	1XL	A	
14	4812117839	Sealing strip	1XL	B	
15	4812117839	Sealing strip	1XL	C	
16	4812117839	Sealing strip	1XL	D	
17	4812114814	Sealing strip	1		

Comments for Page: Engine hood module

(L)OCAL REMARKS

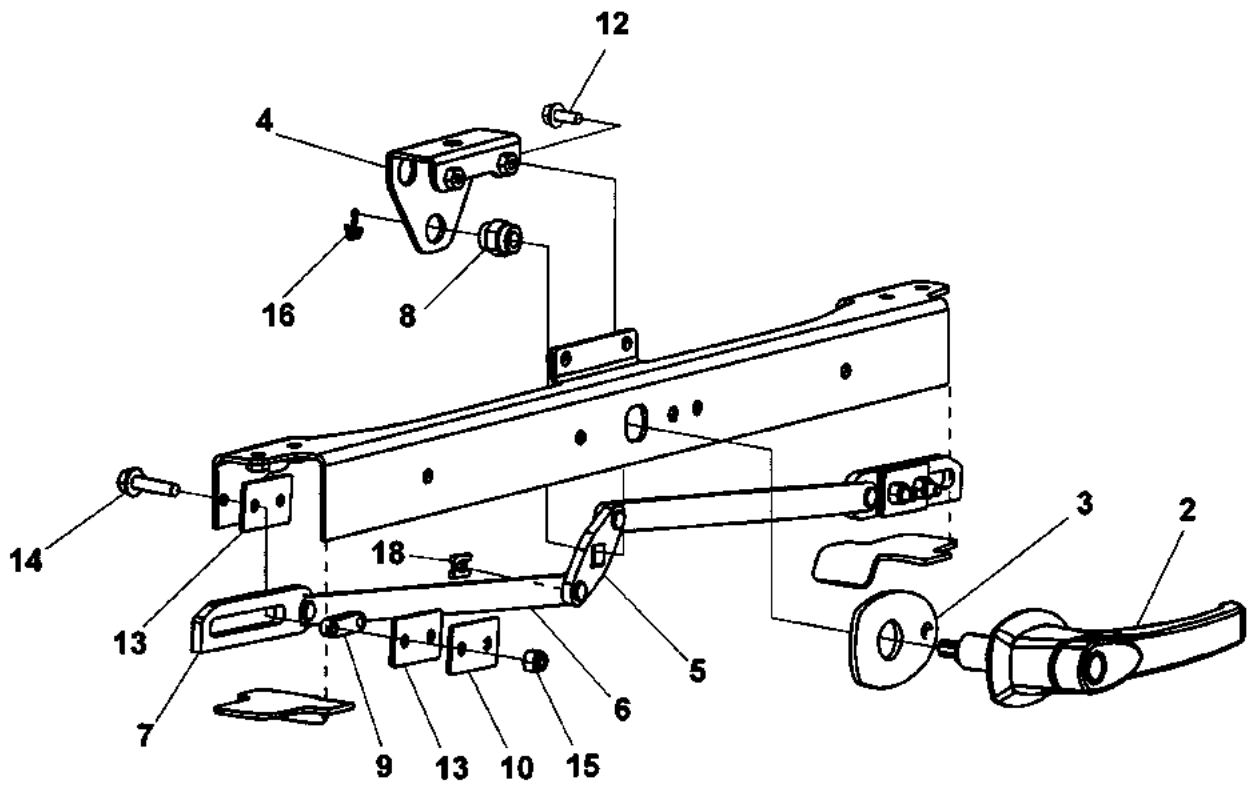
A | en_US | L = 1.96m

B | en_US | L = 1.87m

C | en_US | L = 0.76m

D | en_US | L = 0.21m

Engine structure 4812118994 Lock handle, cpl

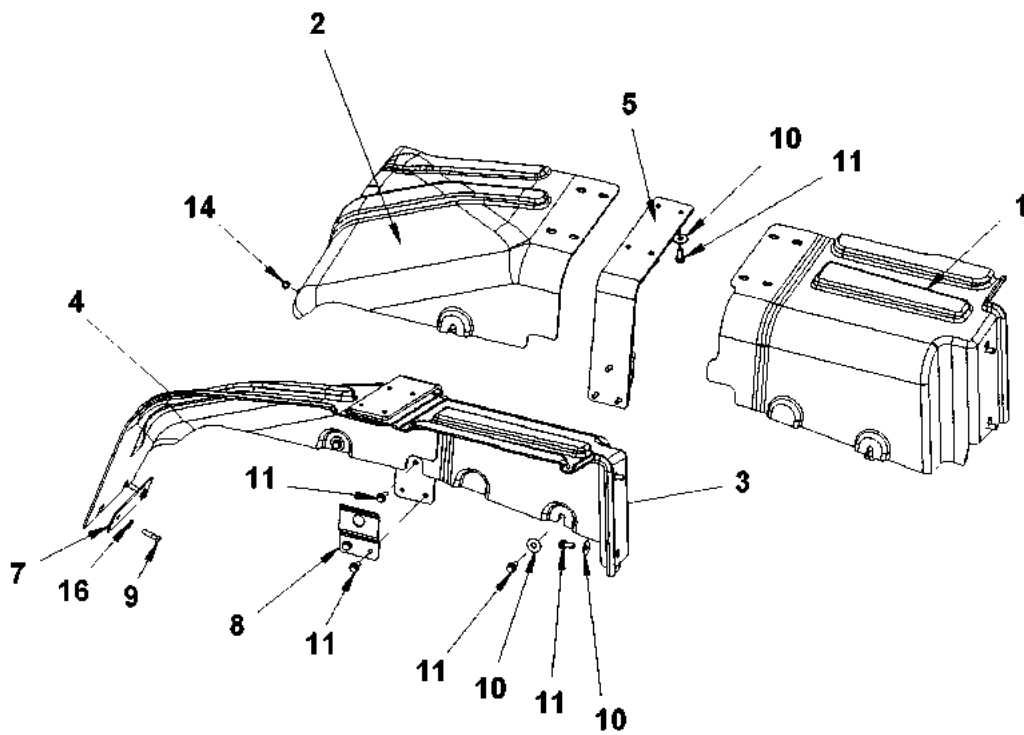


Refer to Parts Online for the most up to date information. The printed information might be outdated.

Wed Apr 11 13:33:06 UTC 2018

Item	Part No.	Name	Qty	L	SN INFO
-	4812118994	Lock handle, cpl	1		
2	4812112403	Lock handle	1		
2	4700902866	Key Marked "455"	1		
3	4812114828	Spacer washer	1		
4	4812118989	Holder	1		
5	4812114829	Coupling link	1		
6	4812114830	Lock lever	2		
7	4812112843	Lock lever	2		
8	4812114831	Lock nut	1		
9	4812112884	Slide plate	2		
10	4812116793	Thrust washer	2		
12	4700792119	Screw, M6x16 mm 8.8 A2K	2		
13	4812116792	Slide plate	4		
14	4700500502	Hexagon screw with flange M6 -25	4		
15	4700586002	Lock nut M6 -8	4		
16	4700630003	Split pin	1		
18	4812117473	Locking clip for shaft	4		

Engine structure Fender module

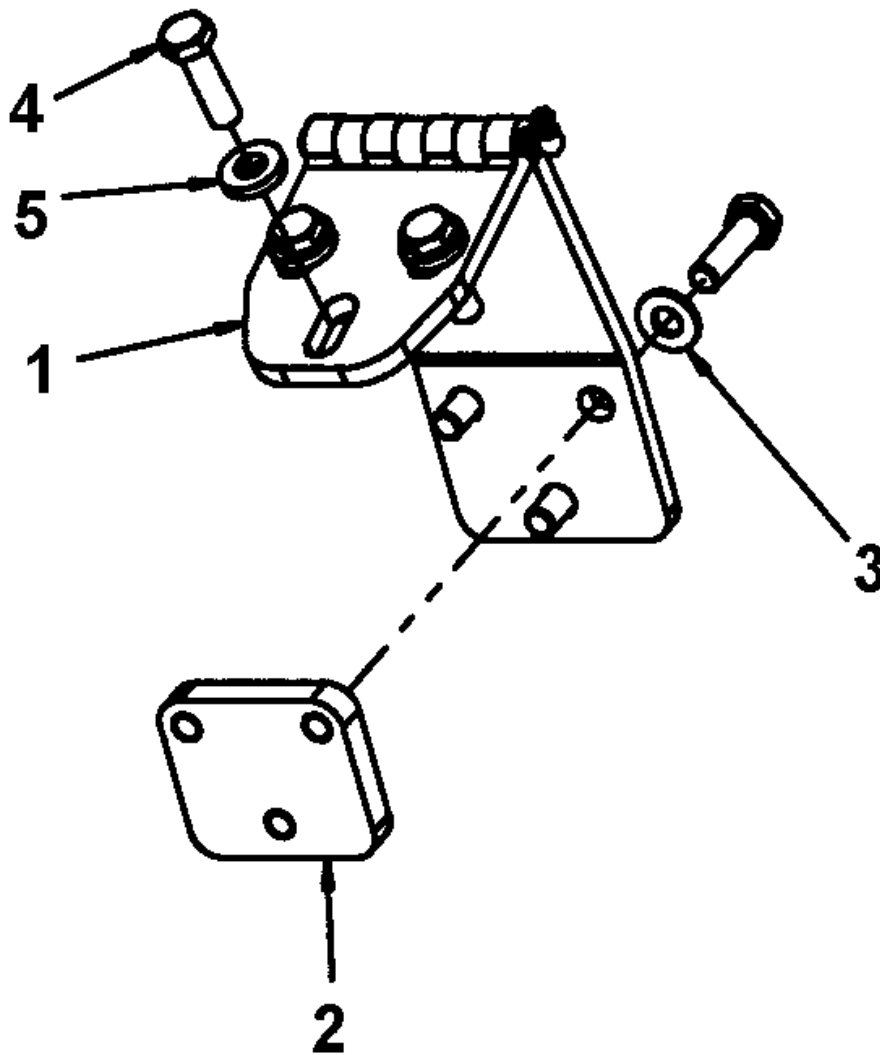


Refer to Parts Online for the most up to date information. The printed information might be outdated.

Wed Apr 11 13:33:06 UTC 2018

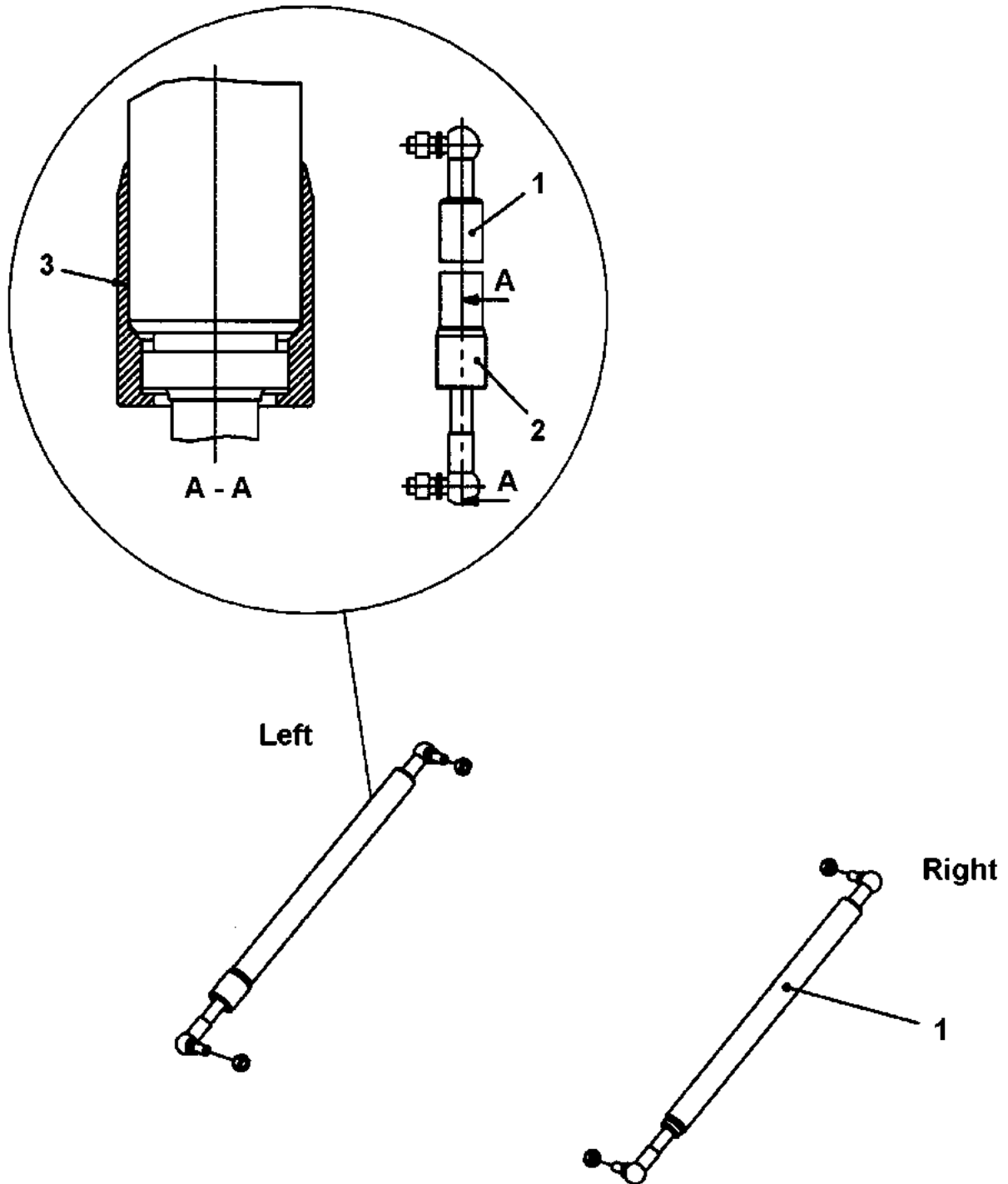
Item	Part No.	Name	Qty	L	SN INFO
1	4812116320	Fender	1		
2	4812116321	Fender	1		
3	4812116318	Fender	1		
4	4812116319	Fender	1		
5	4812116323	Bracket	2		
7	4812116322	Bracket	2		
8	4812116308	Bracket	2		
9	4700500031	Screw M10x40	4		
10	4700615061	Steel plain washer	16		
11	4700500509	Screw, M10x25, 8.8	22		
14	4700586018	Lock nut M10	1		
16	4700904230	Plain washer 10.5x22x2 mm	5		

Engine structure Hinge module



Item	Part No.	Name	Qty	L	SN INFO
1	4812112402	Hinge	2		
2	4700374799	Holder plate	2		
3	4700904230	Plain washer 10.5x22x2 mm	6		
4	4700500030	Hexagon head screw	12		
5	4700904557	Washer, 10.5x22x4 mm 300 HV	6		

Engine structure Gas spring module

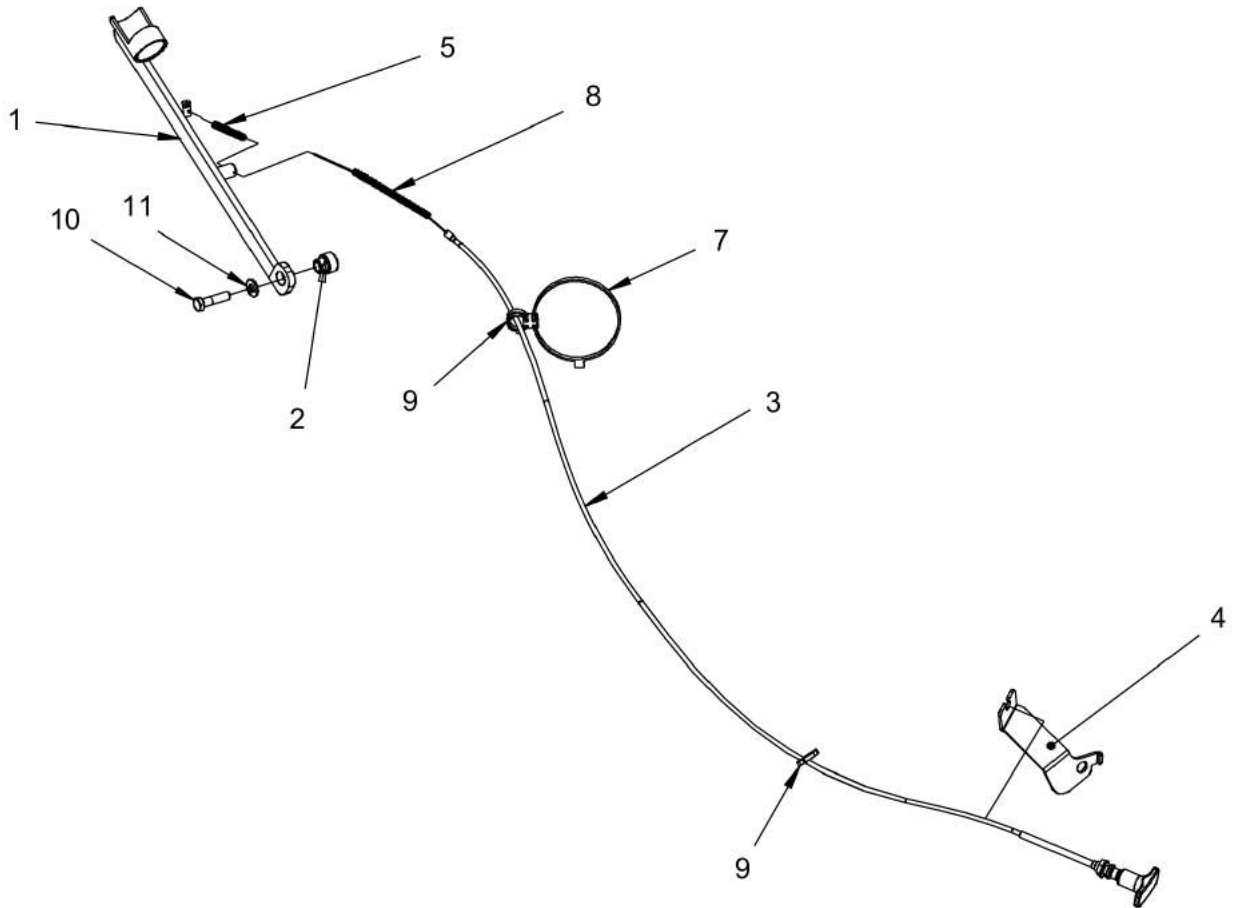


Item	Part No.	Name	Qty	L	SN INFO
1	4812112405	Gas spring	2		
2	4700382383	Gas spring protection	1	A	
3	-	Loctite 638	N		

Comments for Page: Gas spring module

(L)OCAL REMARKS

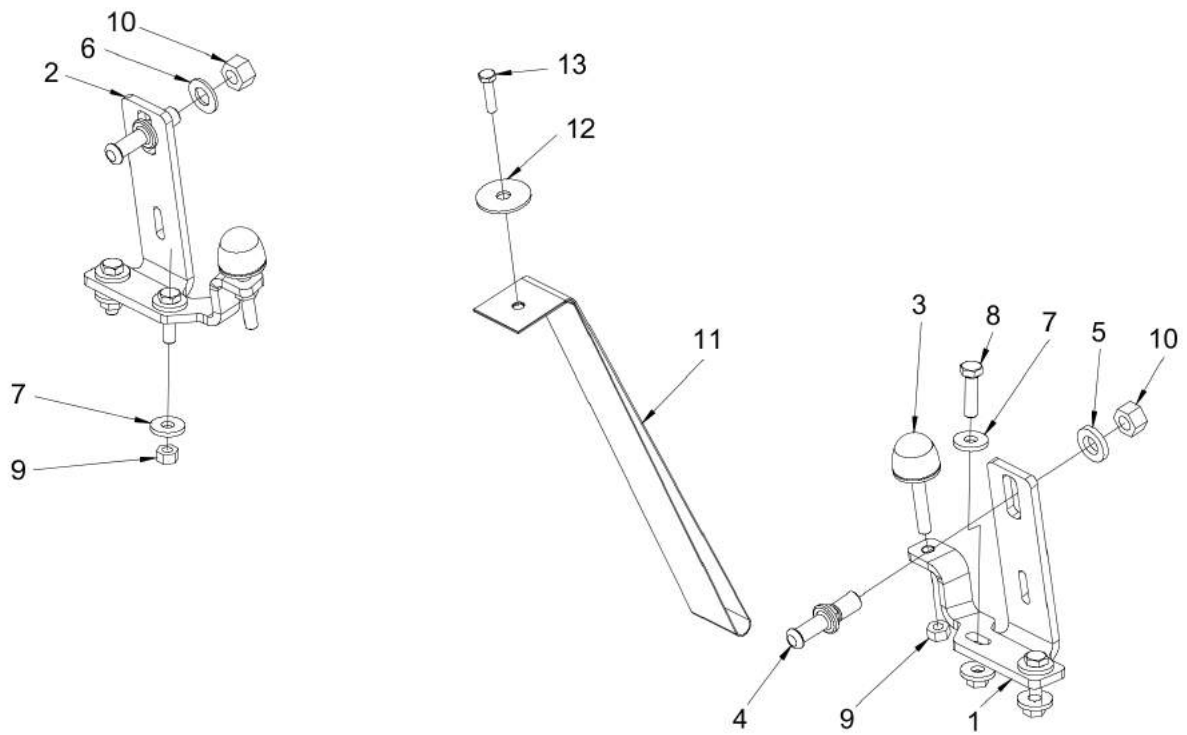
A | en_US | Only on left side.

Safety link and Lock handle, To A014115 Safety link module

Refer to Parts Online for the most up to date information. The printed information might be outdated.

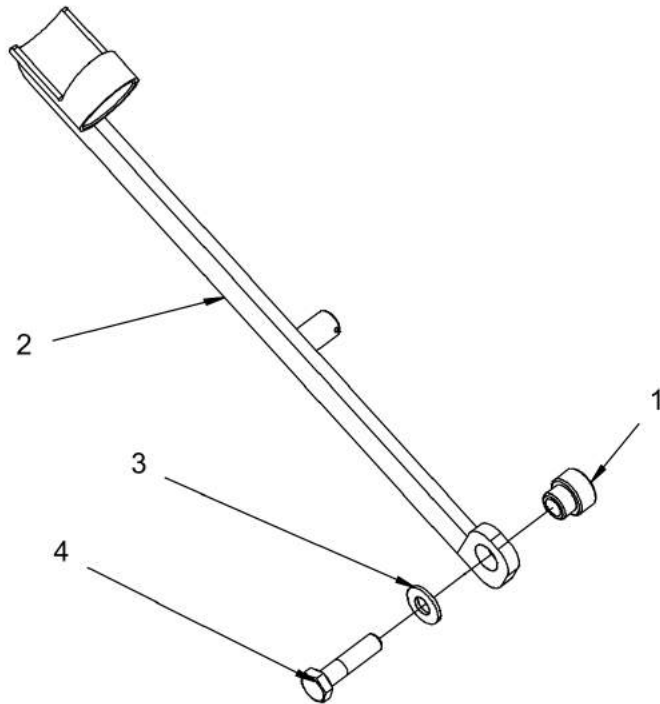
Wed Apr 11 13:33:07 UTC 2018

Item	Part No.	Name	Qty	L	SN INFO
1	4812112736	Safety link	1		
2	4812112952	Spacer	1		
3	4812112950	Control wire	1		
4	4812118853	Bracket	1		
5	4811000462	Compression spring	1		
7	4812117248	Cable tie with holder	1		
8	4812121201	Compression spring	1		
9	4700313041	Cable ties, L=200 mm	2		
10	4700500031	Screw M10x40	1		
11	4700904230	Plain washer 10.5x22x2 mm	1		

Safety link and Lock handle, To A014115 Lock handle assy

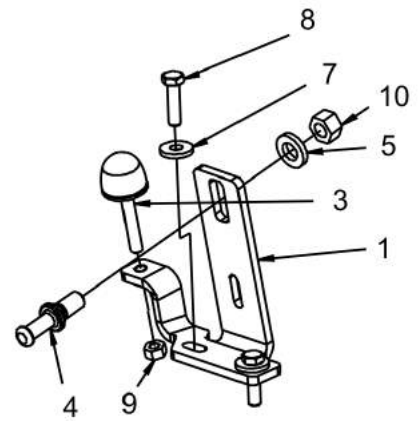
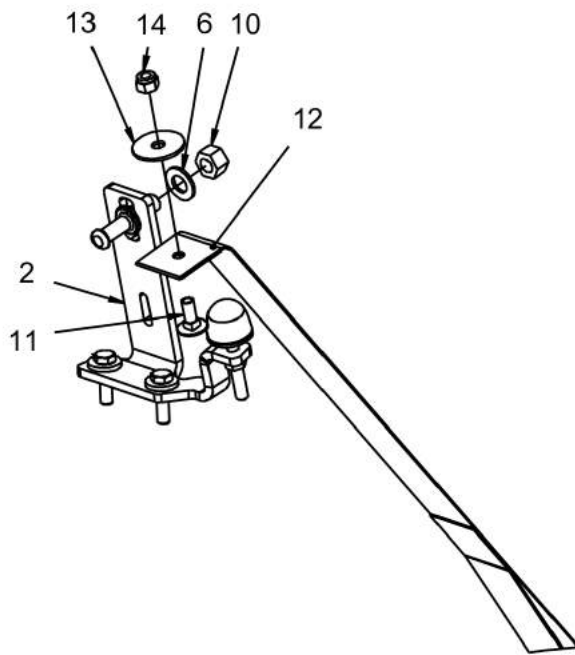
Item	Part No.	Name	Qty	L	SN INFO
1	4812112845	Holder	1		
2	4812112846	Holder	1		
3	4812114318	Shock absorber	2		
4	4812115010	Lock pin	2		
5	4700904703	Plain washer 13x24x4 mm	1		
6	4700904231	Washer, 13x24x2 mm 300 HV	1		
7	4700904640	Washer, 8.4x22x3 mm 300HV	8		
8	4700500022	Screw	4		
9	4700570005	Hexagon nut	6		
10	4700570007	Nut	2		
11	4700374854	Grab handle	1		
12	4700615050	Washer	1		
13	4700500075	Screw, M6-1,0x25 mm 8.8	1		

Safety link and Lock handle, From A014116 Safety link module



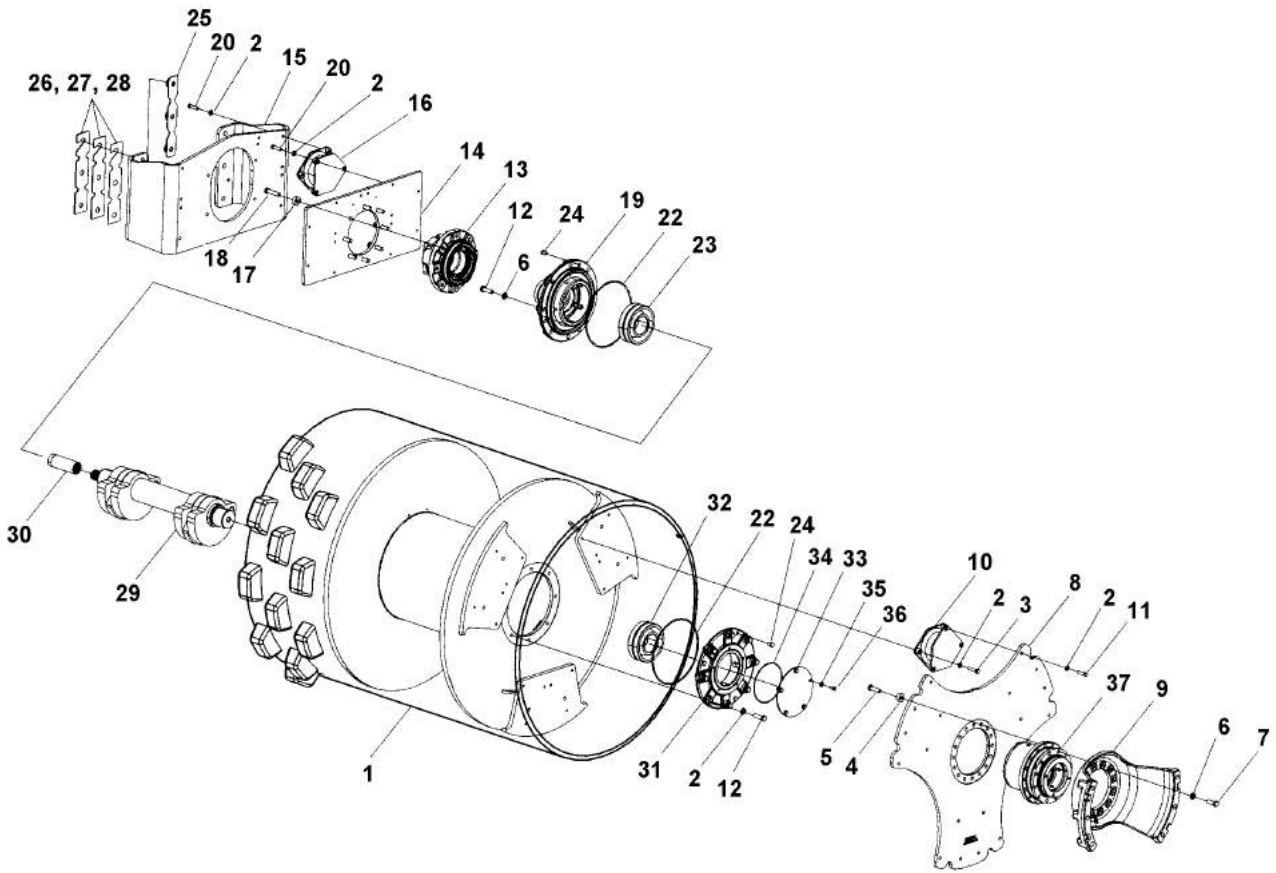
Item	Part No.	Name	Qty	L	SN INFO
1	4812112952	Spacer	1		
2	4812112736	Safety link	1		
3	4700904230	Plain washer 10.5x22x2 mm	1		
4	4700500031	Screw M10x40	1		

Safety link and Lock handle, From A014116 Lock handle, assy



Item	Part No.	Name	Qty	L	SN INFO
1	4812112845	Holder	1		
2	4812112846	Holder	1		
3	4812114318	Shock absorber	2		
4	4812115010	Lock pin	2		
5	4700904703	Plain washer 13x24x4 mm	1		
6	4700904231	Washer, 13x24x2 mm 300 HV	1		
7	4700904640	Washer, 8.4x22x3 mm 300HV	4		
8	4700500022	Screw	4		
9	4700570005	Hexagon nut	2		
10	4700570007	Nut	2		
11	4700904108	Cup square neck bolt	1		
12	4812121286	Grab handle	1		
13	4700615050	Washer	1		
14	4700586003	Lock nut M8	1		

Drum Drum



Refer to Parts Online for the most up to date information. The printed information might be outdated.

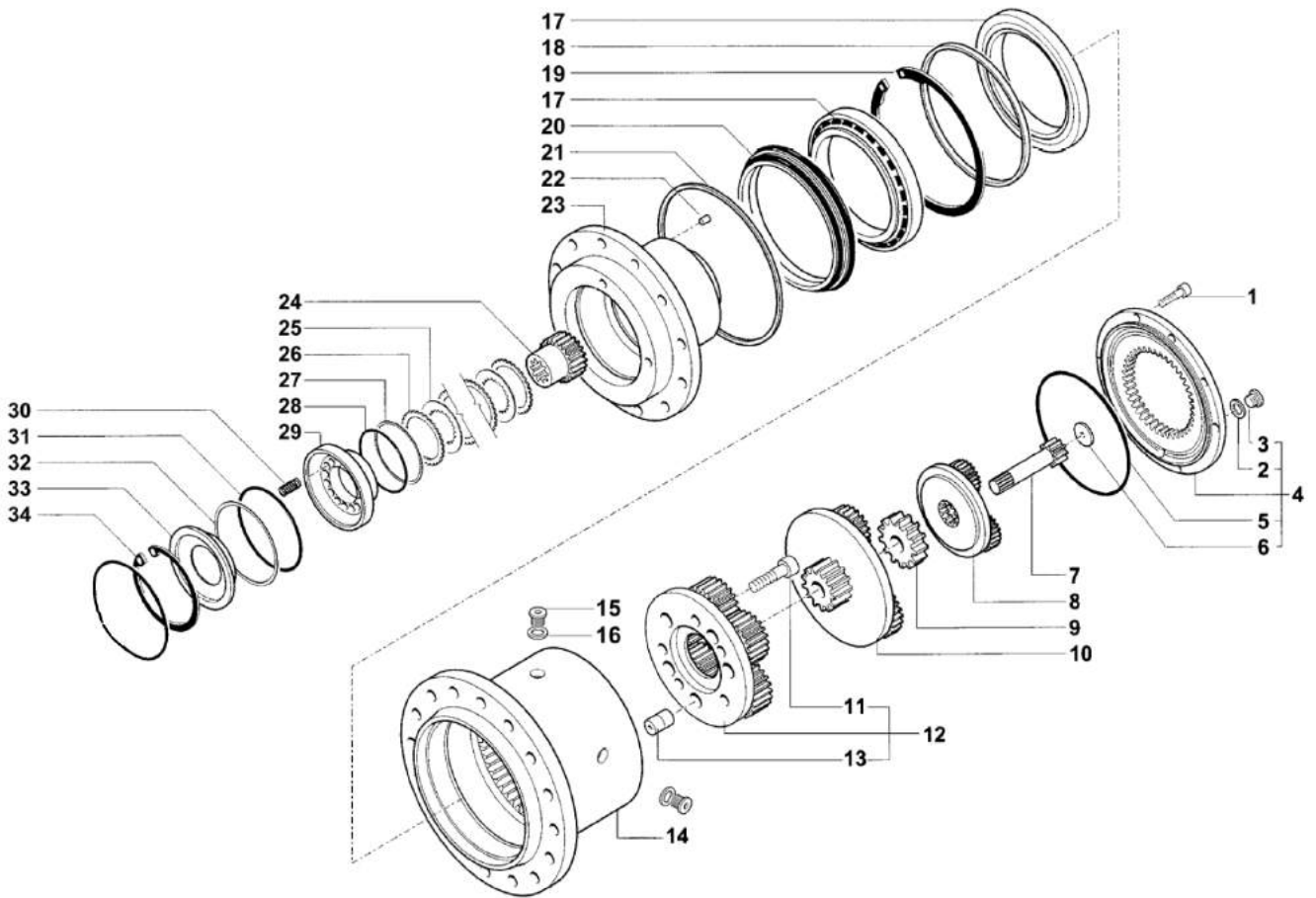
Wed Apr 11 13:33:09 UTC 2018

Item	Part No.	Name	Qty	L	SN INFO
1	-	Drum	1		
2	4700904231	Washer, 13x24x2 mm 300 HV	50		
3	4812110644	Hexagon screw w Tuflok M12x50 10.9 GEOMET	18		
4	4700384114	Spacer	16		
5	4700947698	Hex. head screw	16		
6	4700904232	Steel plain washer	28		
7	4700947696	Screw	12		
8	4812118192	Driving disc	1		
9	4812116045	Bracket	1		
10	4812115045	Shock absorber	6		
11	4812110642	Hexagon screw w Tuflok M12x45 10.9 GEOMET	18		
12	4700500076	Screw M16x55	16		
13	-	Vibration motor adapter	1		
14	4812113148	Bracket	1		
15	4812115058	Bracket	1		To A016213
15	4812122810	Bracket	1		From A016214
16	4812115045	Shock absorber	4		
17	4700384114	Spacer	8		
18	4700500082	Screw M16x70 8.8	8		
19	4812115728	Housing	1		
20	4812110642	Hexagon screw w Tuflok M12x45 10.9 GEOMET	24		
22	4700160344	O-ring 70	2		
23	4700114036	Spherical roller bearing	1		
24	4700900775	Plug	6		
25	4812114340	Nut-plate	2		
26	4812114344	Shim t=1mm	N		
27	4812114345	Shim t=3mm	N		
28	4812114346	Shim t=5mm	N		
29	4812116690	Eccentric	1		
30	-	Splined sleeve	1		
31	4812115916	Housing	1		
32	4700114036	Spherical roller bearing	1		
33	4812116639	Cover	1		
34	4700160362	O-ring 70	1		
35	4700904230	Plain washer 10.5x22x2 mm	5		
36	4700500028	Screw, M10 x 25 mm 8.8 A3K	5		
37	4812115971	Gear	1		
37	4812115972	Gear Anti spin	1		

Refer to Parts Online for the most up to date information. The printed information might be outdated.

Wed Apr 11 13:33:09 UTC 2018

Drum 4812115972 Gear Anti spin

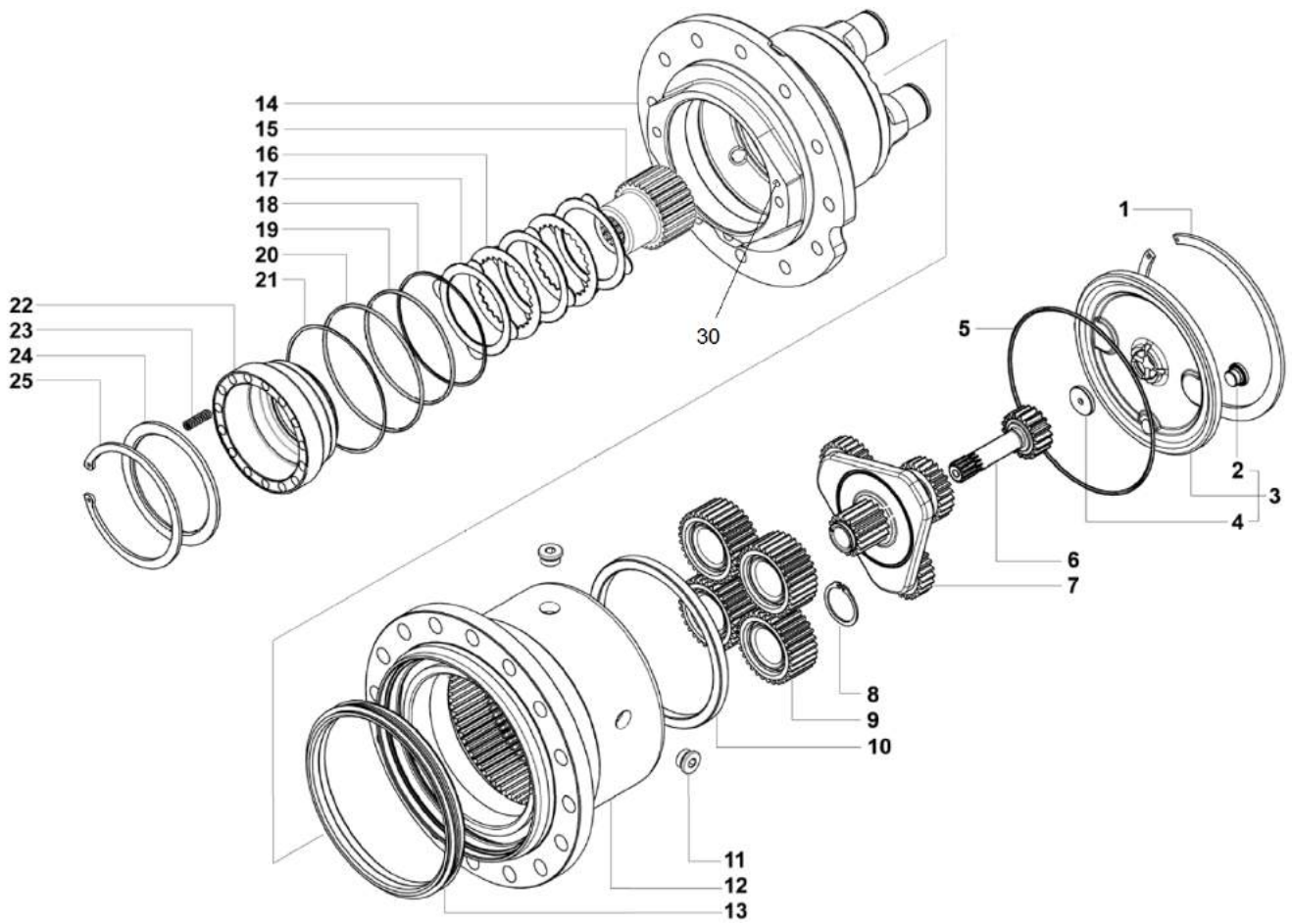


Refer to Parts Online for the most up to date information. The printed information might be outdated.

Wed Apr 11 13:33:10 UTC 2018

Item	Part No.	Name	Qty	L	SN INFO
0	4812115972	Gear Anti spin	1		
1	--	Screw	8		
2	--	Washer	2		
3	--	Plug	2		
4	--	Cover assembly	1		
5	4812161492	O-ring	1		
6	--	Pad	1		
7	--	Sun gear	1		
8	--	3rd. Reduction assembly	1		
9	--	Sun gear	1		
10	--	2nd. Reduction assembly	1		
11	--	Screw	5		
12	--	3rd. Reduction assembly	1		
13	--	Pin	5		
14	--	Gearbox housing	1		
15	4812101616	Plug	3		
16	4812101615	Washer	3		
17	4812161493	Bearing	2		
18	--	Spacer	1		
19	--	Circlip	1		
20	4812161494	Gasket	1		
21	4812161495	Seal ring	1		
22	--	Plug	1		
23	--	Hub	1		
24	--	Brake shaft	1		
25	--	Steel disc	5		
26	--	Sintered disc	6		
27	4812161488	Backup ring	1		
28	4812161489	O-ring	1		
29	--	Brake piston	1		
30	--	Lock Nut	14		
31	4812161490	O-ring	1		
32	4812161491	Backup ring	1		
33	--	Spring retainer	1		
34	--	Circlip	1		

Drum 4812115971 Gear

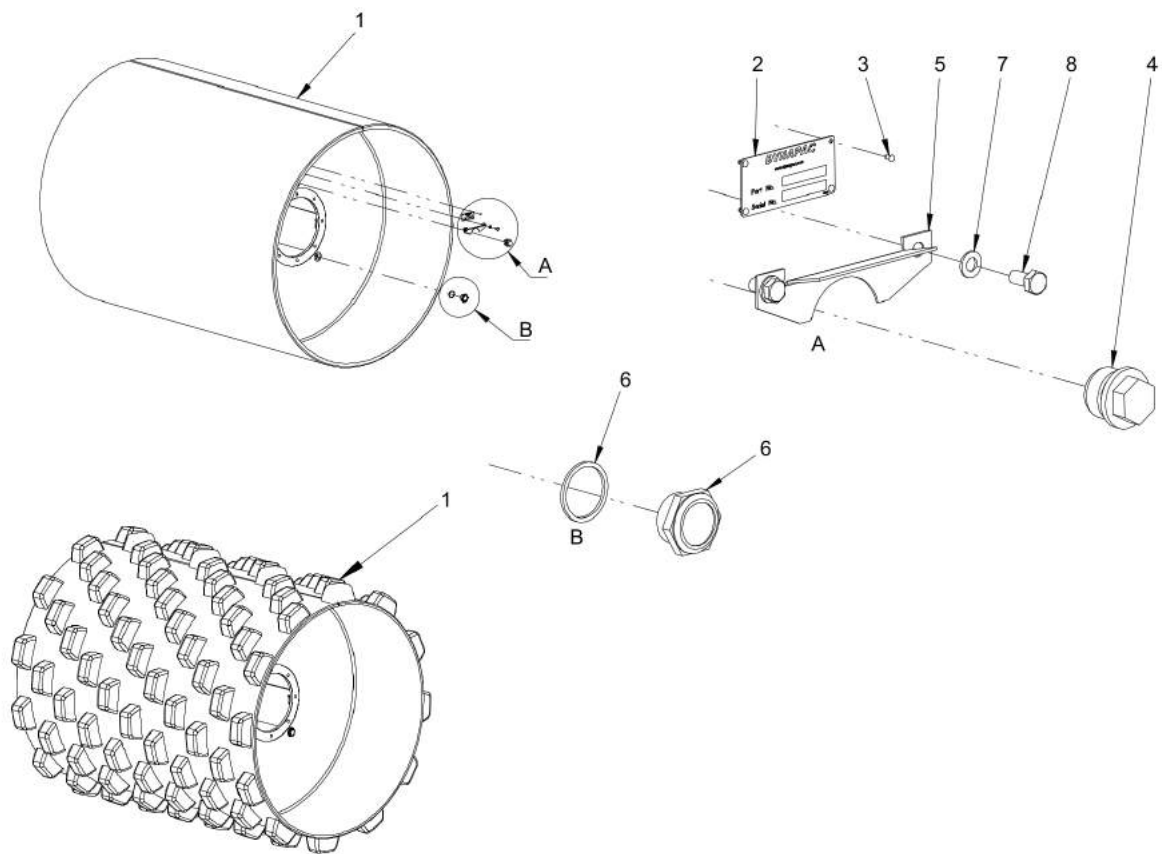


Refer to Parts Online for the most up to date information. The printed information might be outdated.

Wed Apr 11 13:33:10 UTC 2018

Item	Part No.	Name	Qty	L	SN INFO
0	4812115971	Gear	1		
1	--	Circlip	1		
2	4812101617	Plug	2		
3	--	Cover assembly	1		
4	--	Pad	1		
5	4812161484	O-ring	1		
6	--	Sun gear	1		
7	--	1st Reduction assembly	1		
8	--	Circlip	4		
9	--	Planetary assembly	4		
10	--	Nut	1		
11	4812158783	Oil breather plug	3		
12	--	Housing cpl	1		
13	4812161485	Gasket	1		
14	--	Hub	1		
15	--	Brake shaft	1		
16	4812161486	Sintered disc	7		
17	4812161487	Steel disc	8		
18	4812161488	Backup ring	1		
19	4812161489	O-ring	1		
20	4812161490	O-ring	1		
21	4812161491	Backup ring	1		
22	--	Brake piston	1		
23	--	Lock Nut	13		
24	--	Spring retainer	1		
25	--	Circlip	1		
30	4812118259	O-ring	1		

Drum Drum



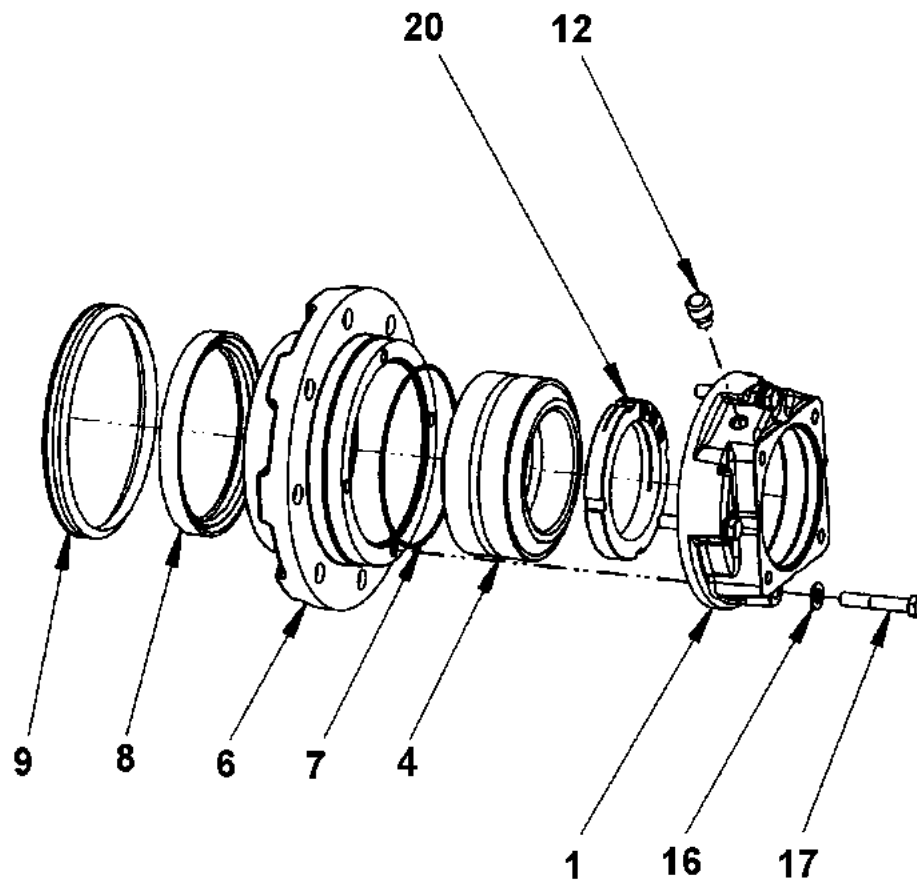
Item	Part No.	Name	Qty	L	SN INFO
1	4812115030	Drum	1	A	
1	4812115033	Drum	1	B	
2	-	Sign plate	1		
3	4700527002	Drive screw	4		
4	4700343744	Magnetic plug	1		
5	4700359955	Drop plate	1		
6	4812118814	Oil level glass	1		
7	4700904229	Washer, 8.4x 6x1.5 mm 300HV	2		
8	4700500019	Hexagon screw	2		
9	4700162017	Seal ring	2		

Comments for Page: Drum

(L)OCAL REMARKS

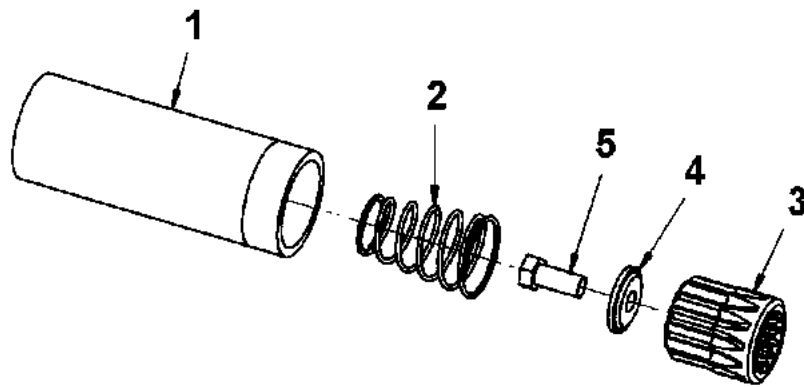
A | D-version

B | PD-version

Drum Vibration motor adapter

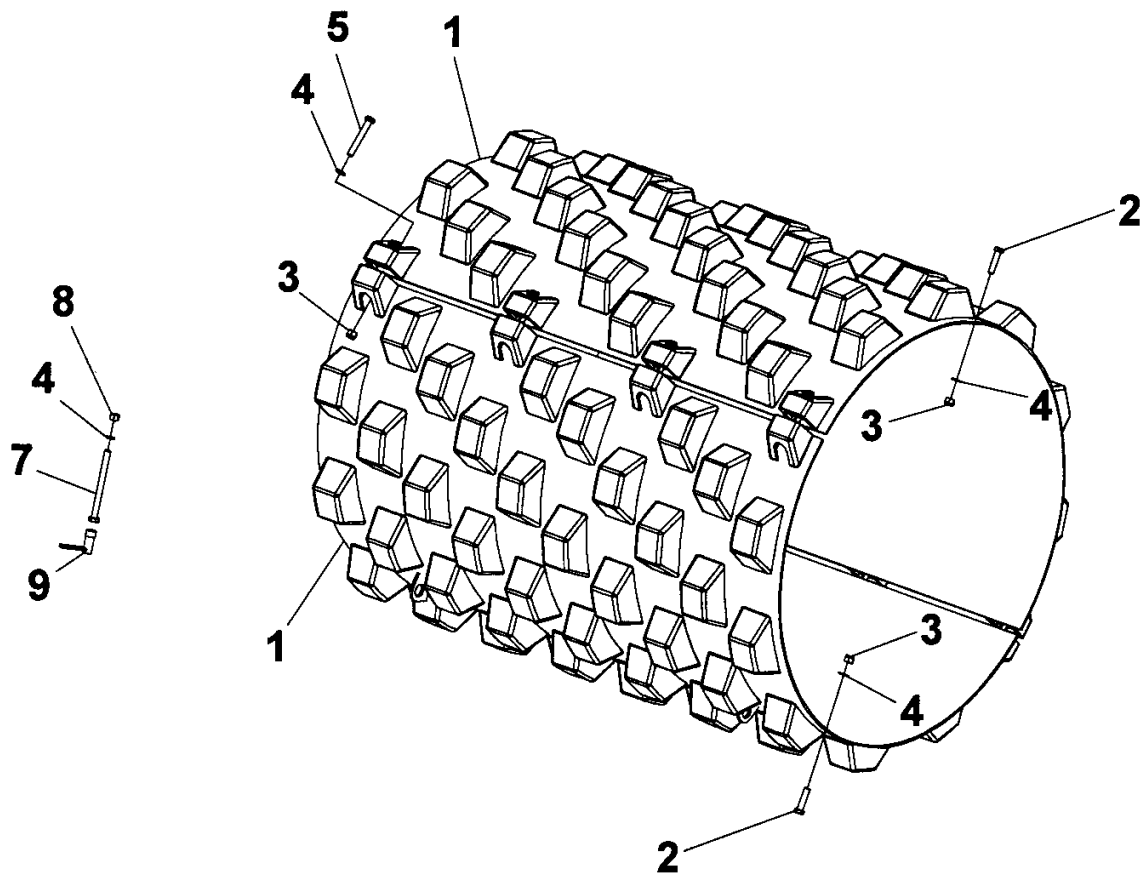
Item	Part No.	Name	Qty	L	SN INFO
1	4812116024	Adapter	1		
4	4700116041	Taper roller bearing	1		
6	4700343318	Bearing housing	1		
7	4700160105	O-ring 70	1		
8	4700167023	Seal ring	1		
9	4700929447	V-ring	1		
12	4700926736	Breather	1		
16	4700904231	Washer, 13x24x2 mm 300 HV	4		
17	4700500133	Screw	4		
20	4812112413	Shaft nut	1		

Drum Splined sleeve



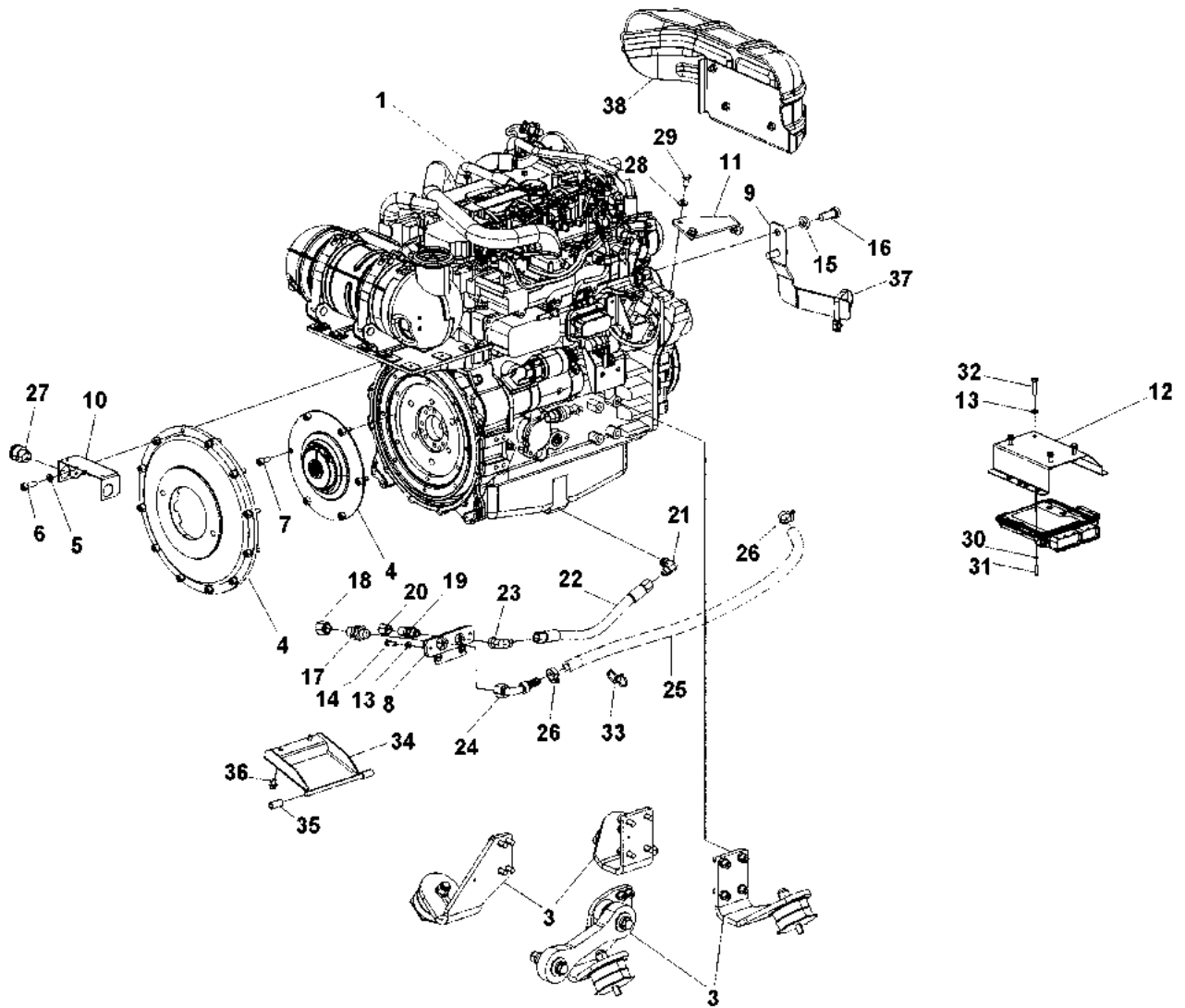
Item	Part No.	Name	Qty	L	SN INFO
1	4812112281	Splined sleeve	1		
2	4700349715	Spring	1		
3	4700340863	Splined sleeve	1		
4	4812113832	Washer	1		
5	4700502053	Screw	1		

Drum Pad shell, option



Item	Part No.	Name	Qty	L	SN INFO
KIT	4812118123	Pad shell kit	1		
1	4812116819	Pad shell	1		
2	4700500134	Hex. screw	4		
3	4700586021	Lock nut	12		
4	4700904232	Steel plain washer	16		
5	4700500094	Hex. screw	16		
7	4700385505	Mounting screw	4		
8	4700570008	Hex. nut	4		
9	4700385504	Hexagon sleeve	1		

Engine Engine



Refer to Parts Online for the most up to date information. The printed information might be outdated.

Wed Apr 11 13:33:11 UTC 2018

Item	Part No.	Name	Qty	L	SN INFO
1	-	Diesel engine	1		
3	-	Bracket module	1		
4	4812118299	Coupling	1		
5	4700904637	Washer	12		
6	4700508029	Cylinder screw	12		
7	4700902058	Hexagon socket head cap screw	6		
8	4812118823	Bracket	1		
9	4812120201	Holder	1		
10	4812118414	Holder	1		
11	4812118681	Holder	1		
12	4812113959	Holder	1		
13	4700904229	Washer, 8.4x 6x1.5 mm 300HV	6		
14	4700500021	Screw, M8x25 mm 8.8 A2K	2		
15	4700904558	Washer, 17x30x6 mm 300 HV	2		
16	4700500093	Hex. screw	2		
17	4700230516	Adapter	1		
18	4700230384	Cap	1		
19	4700230515	Connector	1		
20	4700330383	Cap JIC, steel	1		
21	4700791431	Elbow 90, O-ring	1		
22	4811000150	Hydraulic hose	1		
23	4700334197	Connector elbow 90 JIC	1		
24	4700792499	Hose connection	1		
25	4700205112	Coolant hose	1XL	A	
26	4700313004	Hose clamp 19-29mm	2		
27	4700395816	Plug socket 24V	1		
28	4700904230	Plain washer 10.5x22x2 mm	2		
29	4700500048	Screw, M10x20 mm 8.8 A3K	2		
30	4700904281	Washer, 5,3x10x1 300HV	4		
31	4700500007	Hex. screw	4		
32	4700500047	Hexagon head screw	4		
33	4700792686	Cable tie with holder	1		
34	4812118488	Cover	1		
35	4700246069	Rubber hose	2XL	B	
36	4700901832	Screw, M08x16, 8.8	2		
37	4812115836	Cable tie	1		
38	-	Belt guard module	1		

Refer to Parts Online for the most up to date information. The printed information might be outdated.

Wed Apr 11 13:33:11 UTC 2018

Comments for Page: Engine

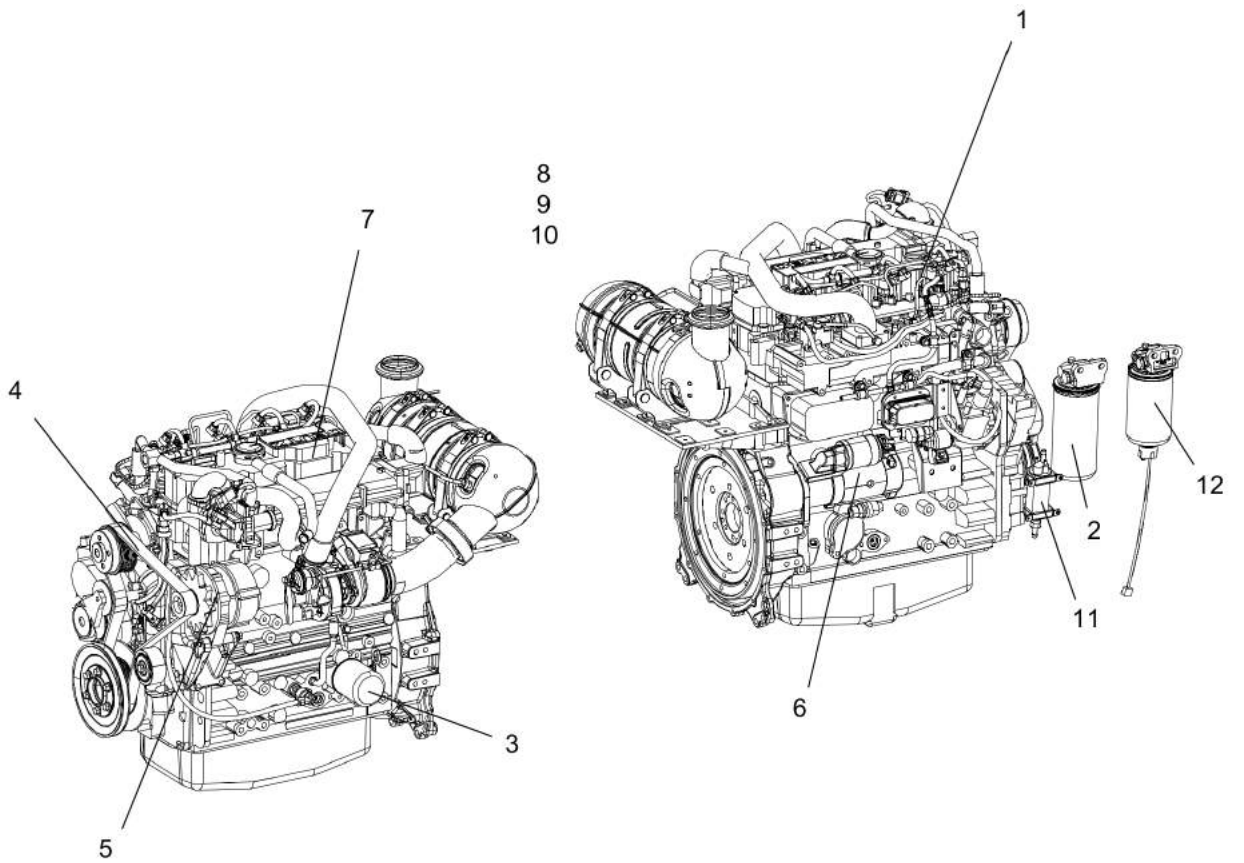
(L)OCAL REMARKS

A | en_US | L = 0.85m

B | en_US | L = 0.03m

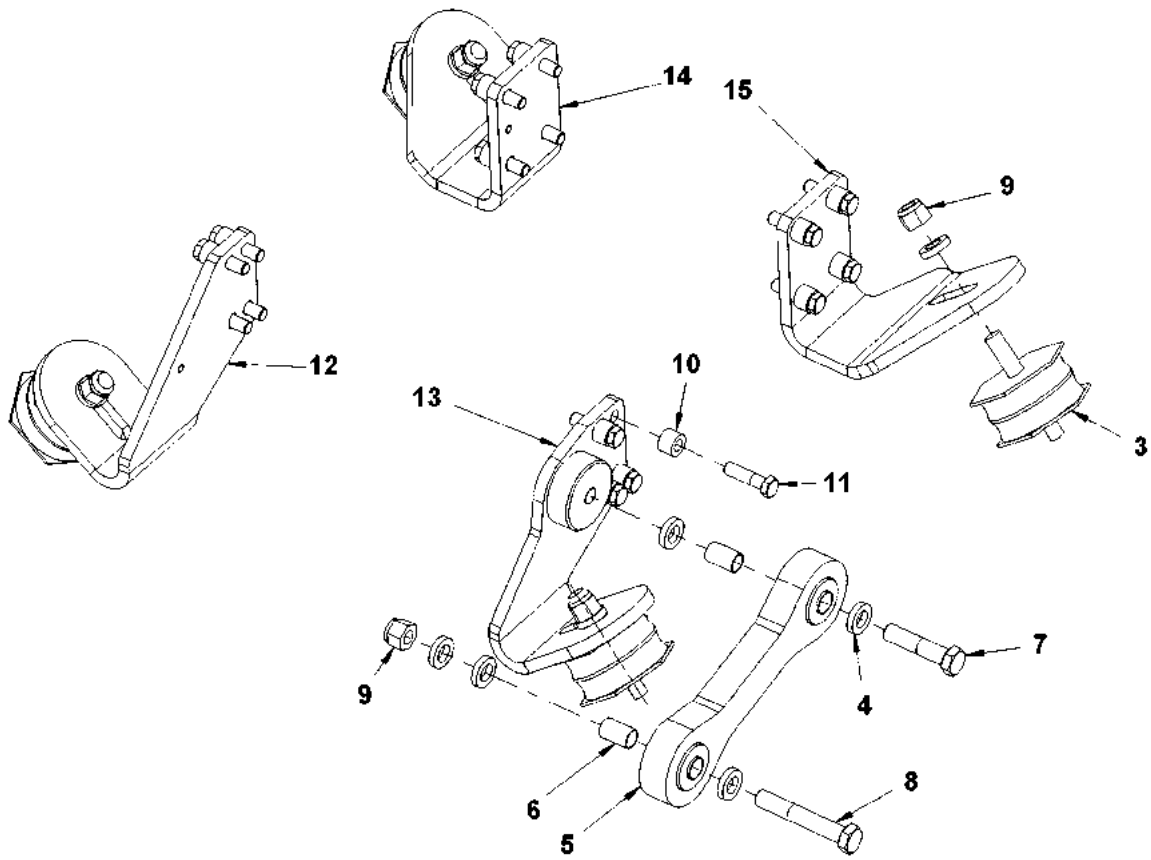
This page intentionally left blank

Engine Diesel engine



Item	Part No.	Name	Qty	L	SN INFO
1	4812118176	Diesel engine Deutz TD3.6 55.4kW - 3B	1		
2	4812159195	Fuel filter element	1		
3	4700939515	Oil filter	1		
4	4812159377	V-belt	1		
5	4812159988	Alternator	1		
6	4812159989	Starter	1		
7	-	Valve cover gasket	1		
8	-	Dipstick	1		
9	4812159987	Turbo charger, cpl	1		
10	-	Cap	1		
11	4812114065	Electrical fuel pump	1		
12	4812159376	Fuel pre-filter element	1		

Engine Bracket module

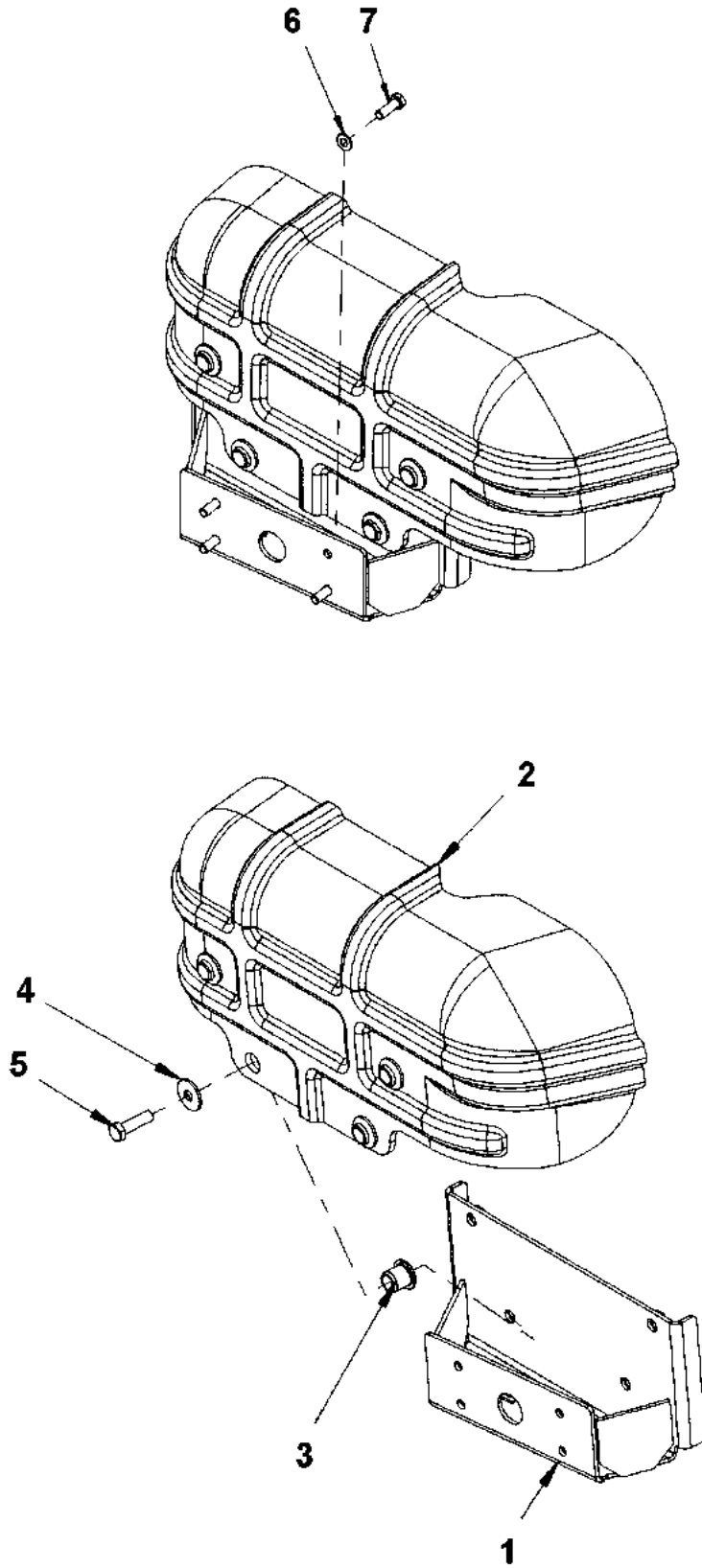


Refer to Parts Online for the most up to date information. The printed information might be outdated.

Wed Apr 11 13:33:12 UTC 2018

Item	Part No.	Name	Qty	L	SN INFO
3	4812114396	Shock absorber	4		
4	4700904558	Washer, 17x30x6 mm 300 HV	9		
5	4812118444	Strut	1		
6	4812118432	Spacer sleeve	2		
7	4700500082	Screw M16x70 8.8	1		
8	4700500107	Screw M16x100 8.8	1		
9	4700586021	Lock nut	5		
10	4812120086	Spacer	16		
11	4700500056	Screw, M12x45 mm 8.8 A3K	16		
12	4812118295	Bracket	1		
13	4812118296	Bracket	1		
14	4812118297	Bracket	1		
15	4812118298	Bracket	1		

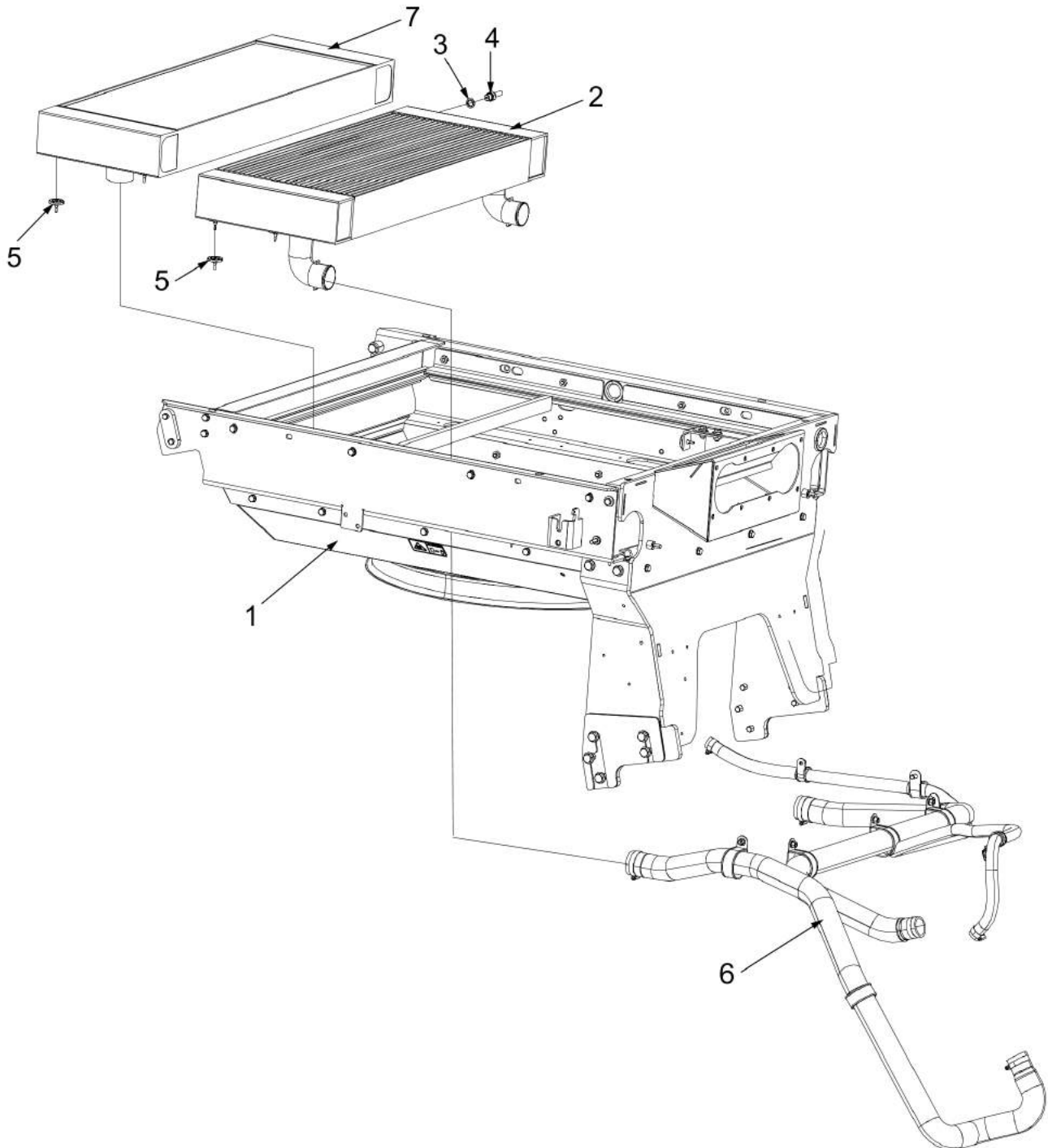
Engine Belt guard module



Refer to Parts Online for the most up to date information. The printed information might be outdated.

Wed Apr 11 13:33:12 UTC 2018

Item	Part No.	Name	Qty	L	SN INFO
1	4812117096	Bracket	1		
2	4812118604	Belt guard	1		
3	4812118203	Shock absorber	4		
4	4700928441	Washer, 21 x 45 mm	4		
5	4700500030	Hexagon head screw	4		
6	4700904229	Washer, 8.4x 6x1.5 mm 300HV	4		
7	4700500021	Screw, M8x25 mm 8.8 A2K	4		

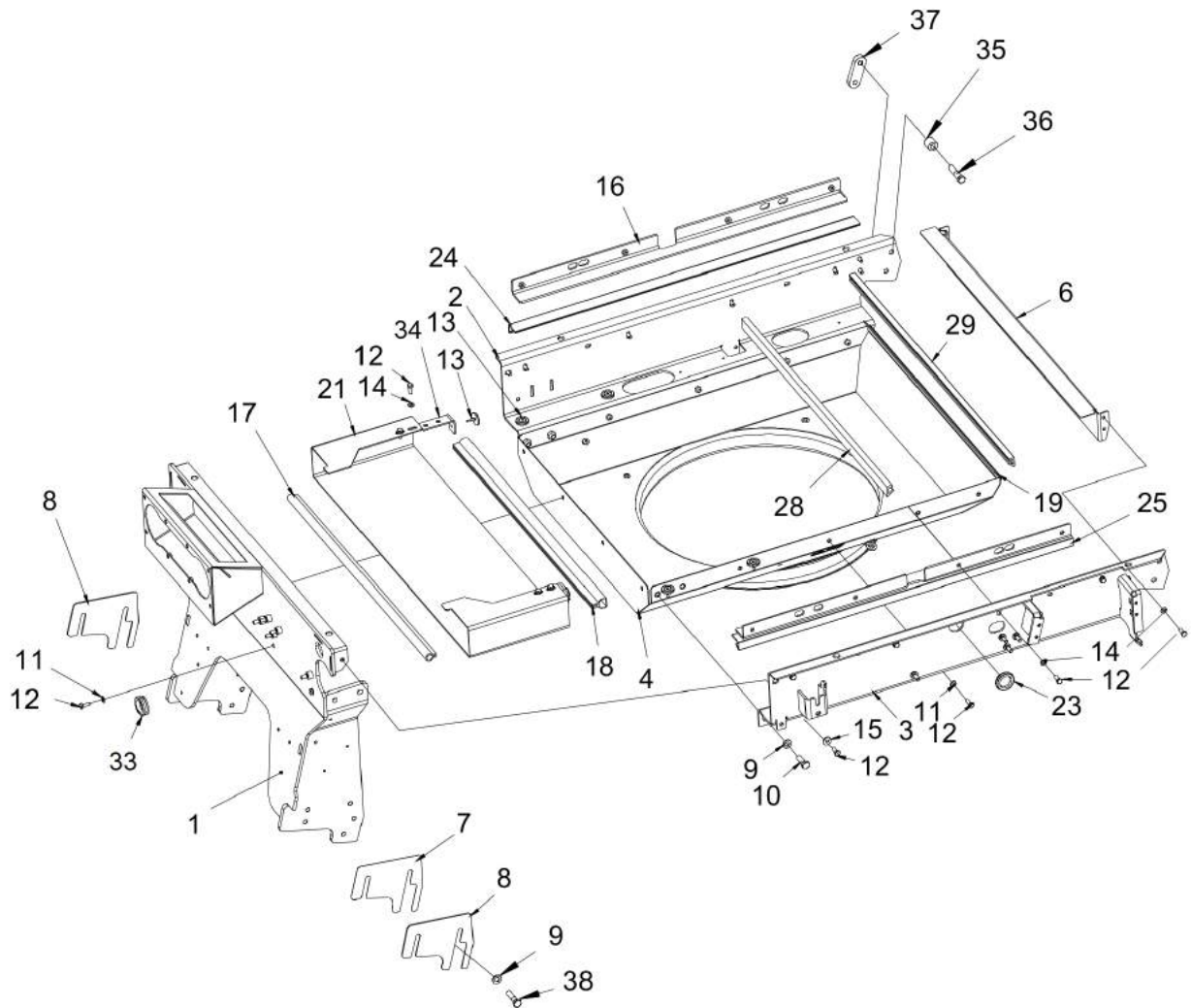
Cooling system Cooling system

Refer to Parts Online for the most up to date information. The printed information might be outdated.

Wed Apr 11 13:33:13 UTC 2018

Item	Part No.	Name	Qty	L	SN INFO
1	-	Cooler stand	1		
2	4812121925	Water cooler	1		
3	4700162004	Sealing	1		
4	4700792322	Hose connection	1		
5	4812112097	Shock absorber	12		
6	-	Hose Kit	1		
7	4812121866	Hydraulic oil cooler	1		

Cooling system Cooler stand



Refer to Parts Online for the most up to date information. The printed information might be outdated.

Wed Apr 11 13:33:13 UTC 2018

Item	Part No.	Name	Qty	L	SN INFO
1	4812118494	Cooler stand	1		
2	4812115668	Bracket	1		
3	4812115669	Bracket	1		
4	4812113629	Fan casing	1		
6	4812111264	Cover plate	1		
7	4812113878	Shim	N		
8	4812113879	Shim	N		
9	4700904231	Washer, 13x24x2 mm 300 HV	14		
10	4700500037	Hex. screw	4		
11	4700904229	Washer, 8.4x 6x1.5 mm 300HV	16		
12	4700500053	Screw, M8x20 mm 8.8 A2K	30		
13	4812112097	Shock absorber	6		
14	4700904556	Steel plain washer 8,4x16x3,0	12		
15	4700904640	Washer, 8.4x22x3 mm 300HV	2		
16	4812115663	Bracket	2		
17	4700288129	Rubber edge trim	0.81	A	
18	4812117839	Sealing strip	0.81	B	
19	4700791460	Edge strip	0.77	C	
21	4812113820	Cover plate	1		
23	4812114465	Grommet with membrane	1		
24	4812113708	Rubber strip	0.97	D	
25	4812113708	Rubber strip	0.97		
28	4700391299	Rubber strip	0.85	E	
29	4700391299	Rubber strip	0.85		
33	4812119127	Grommet with membrane	1		
34	4812121533	Bracket	2		
35	4700383024	Spacer sleeve	4		
36	4700925519	Screw M12x55 10.9 GEOMET	4		
37	4812110930	Nut-plate	2		
38	4700947690	Screw	10		

Comments for Page: Cooler stand

(L)OCAL REMARKS

A | en_US | L = 0,83 m

B | en_US | L = 0,81 m

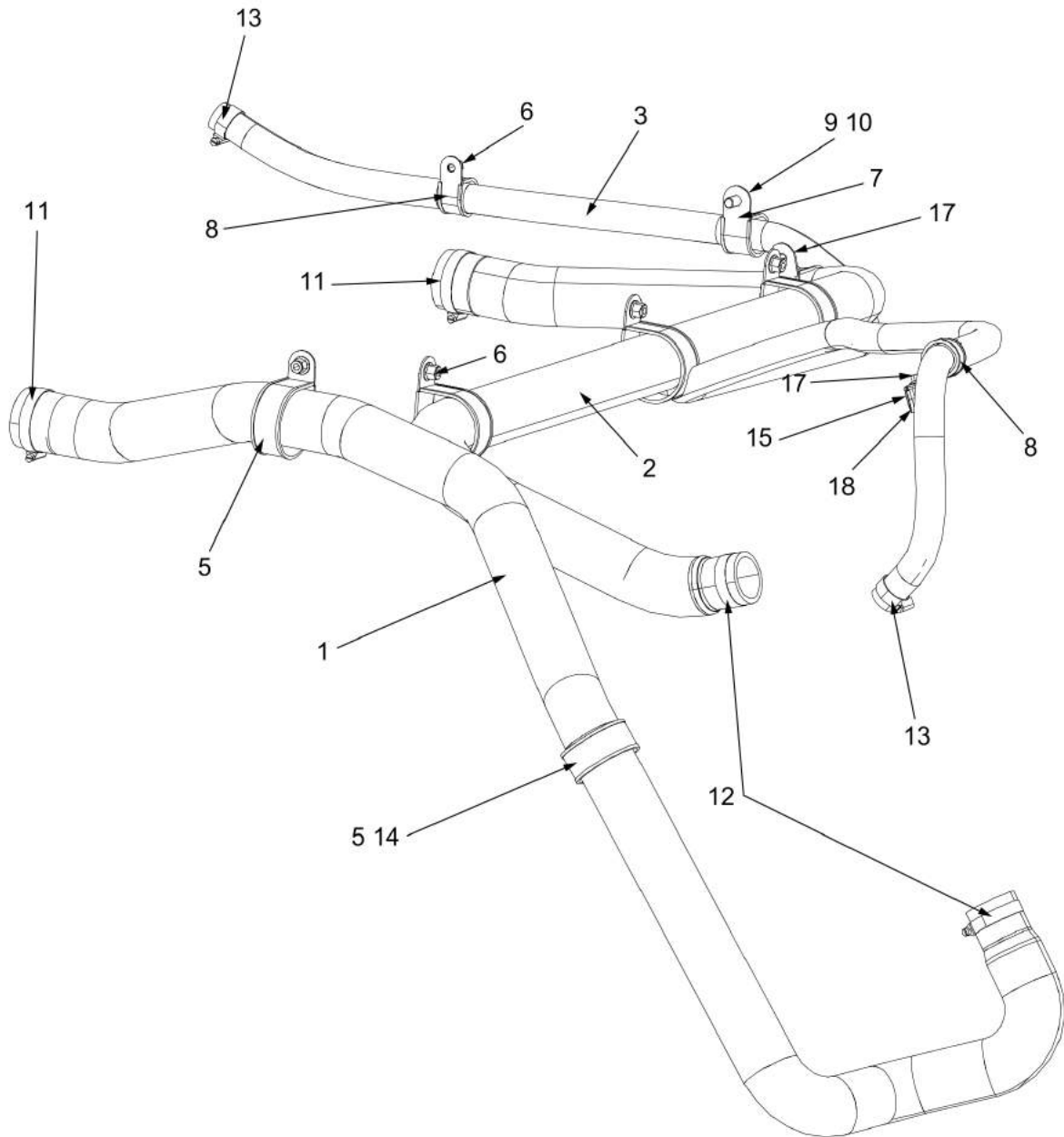
C | en_US | L = 0,77 m

D | en_US | L = 1,24 m

E | en_US | L = 0,85 m

This page intentionally left blank

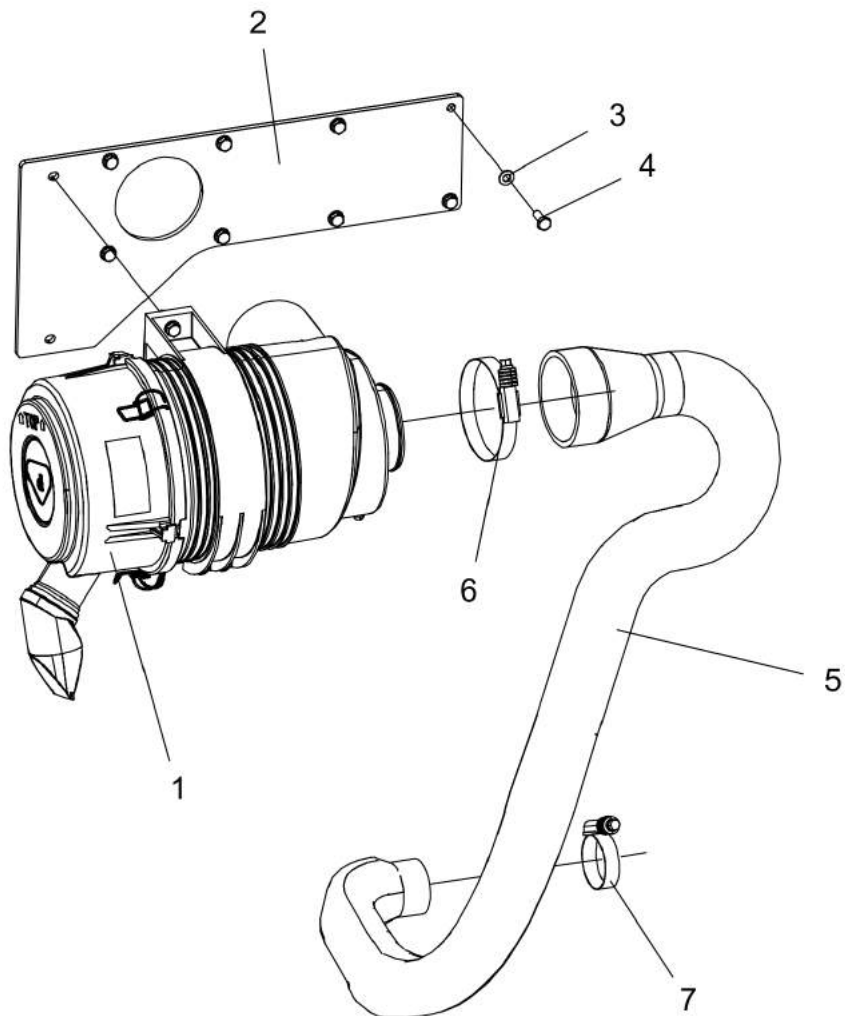
Cooling system Hose kit



Refer to Parts Online for the most up to date information. The printed information might be outdated.

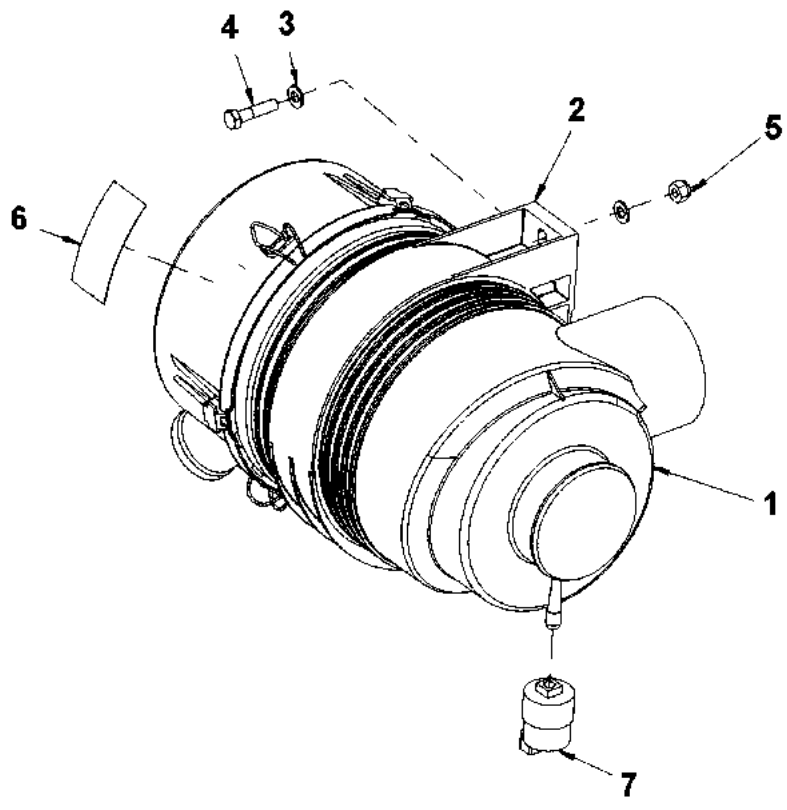
Wed Apr 11 13:33:14 UTC 2018

Item	Part No.	Name	Qty	L	SN INFO
1	4812118486	Cooler hose	1		
2	4812118487	Coolerhose	1		
3	4700205027	Coolant hose	2,4		
5	4700903703	Clamp	6		
6	4700902286	Lock nut, M8x1.25 mm A2K	5		
7	4700923008	Clamp	1		
8	4700921050	Clamp	2		
9	4700904230	Plain washer 10.5x22x2 mm	1		
10	4700500048	Screw, M10x20 mm 8.8 A3K	1		
11	4700313010	Hose clamp	2		
12	4700313009	Hose clamp	2		
13	4700313004	Hose clamp 19-29mm	2		
14	4700500509	Screw, M10x25, 8.8	1		
15	4700902558	Clamp	1		
17	4700500505	Screw, M8x20 mm 8.8 A2K	2		
18	4700586003	Lock nut M8	1		

Engine Air cleaner

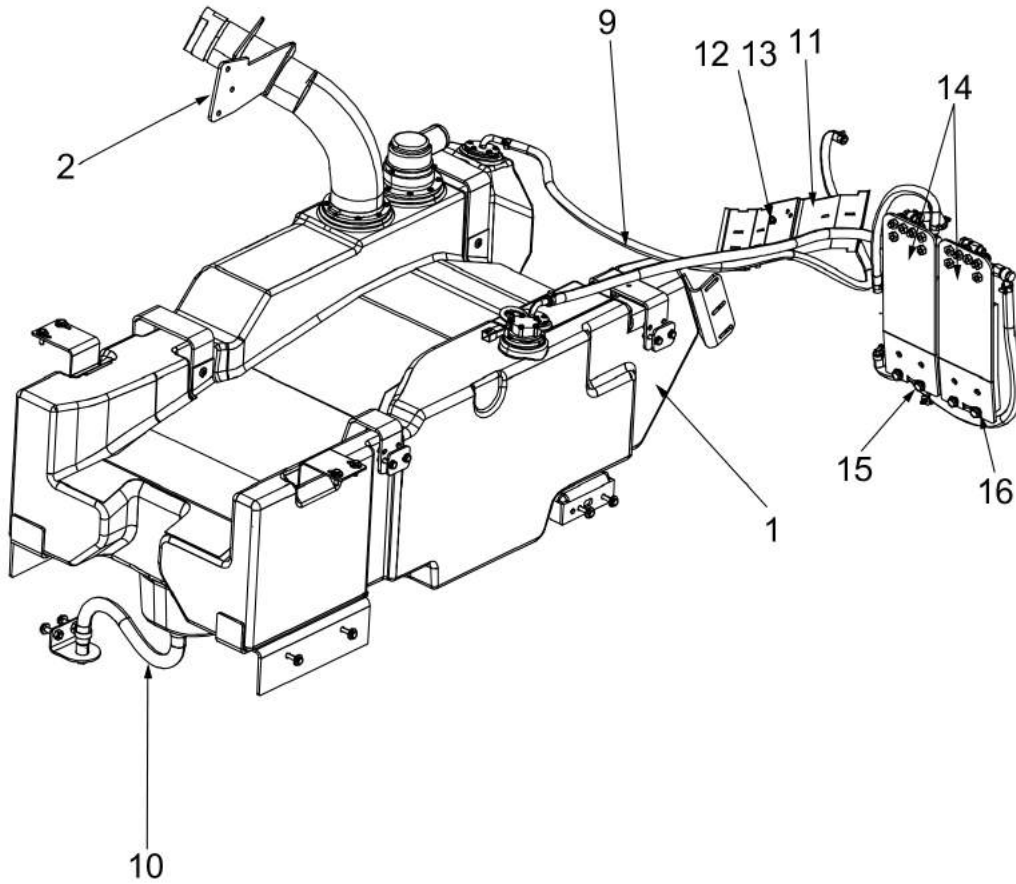
Item	Part No.	Name	Qty	L	SN INFO
1	-	Air cleaner module	1		
2	4812118247	Bracket	1		
3	4700904229	Washer, 8.4x 6x1.5 mm 300HV	8		
4	4700500053	Screw, M8x20 mm 8.8 A2K	8		
5	4812121522	Air intake hose	1		
6	4700378712	Clamp	1		
7	4700395323	Hose clamp	1		

Engine Air cleaner module

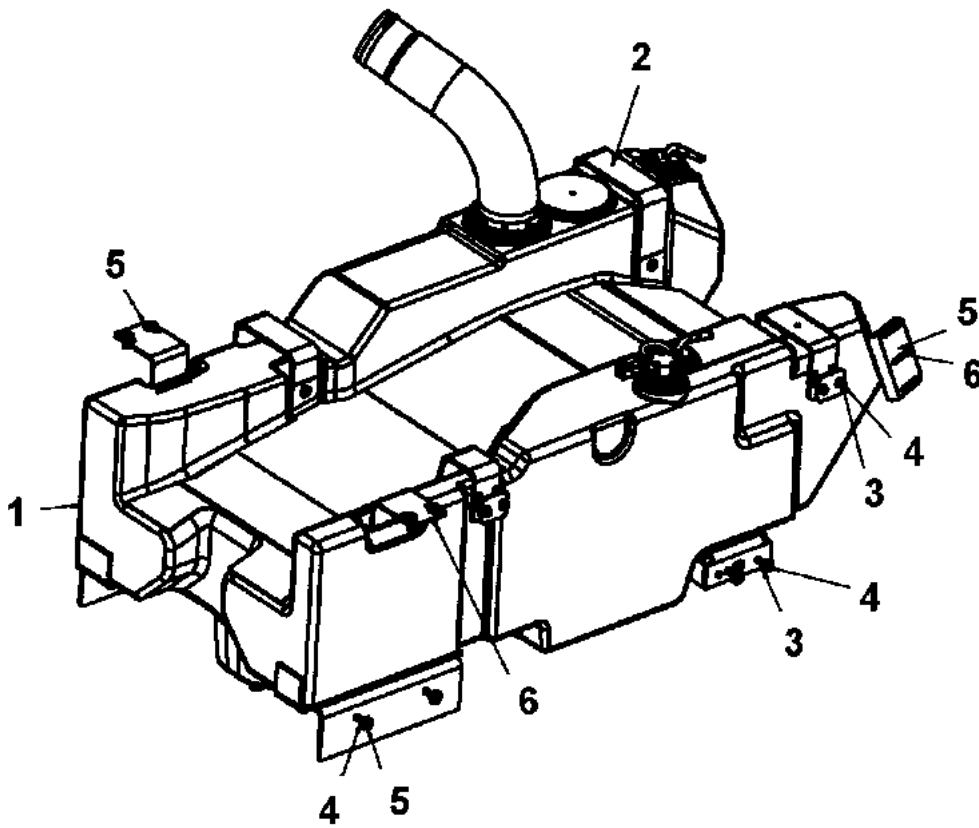


Item	Part No.	Name	Qty	L	SN INFO
1	4700378657	Air cleaner, cpl	1		
1	4700378733	Cover	1		
1	4700378734	Valve	1		
1	4700378735	Air filter element Safety	1		
1	4700378736	Air filter element Main	1		
2	4700378658	Pipe clamp	1		
3	4700904229	Washer, 8.4x 6x1.5 mm 300HV	4		
4	4700500047	Hexagon head screw	2		
5	4700586003	Lock nut M8	2		
6	4700791642	Decal "WARNING" Use of starting fluid prohib.	1		
7	4812117860	Indicator	1		

Fuel system Fuel system

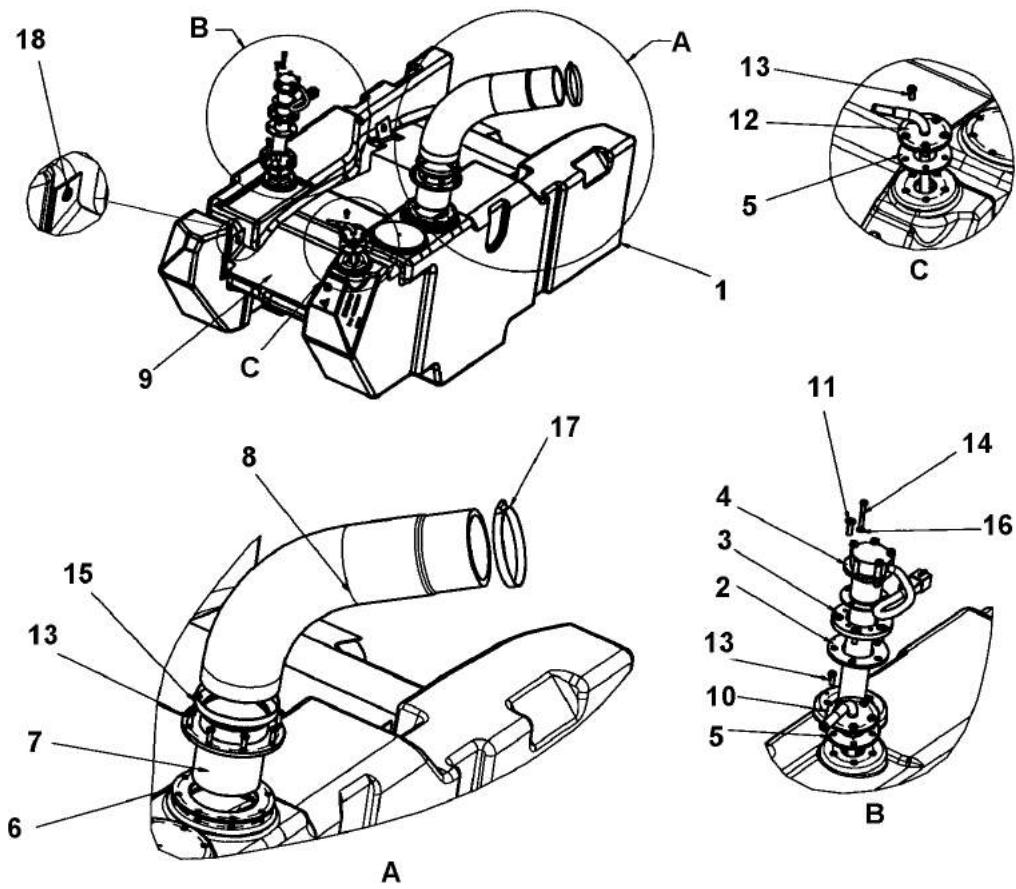


Item	Part No.	Name	Qty	L	SN INFO
1	-	Fuel tank module	1		
2	-	Filling module	1		
9	-	Fuel hose kit	1		
10	-	Draining module	1		
11	4812114212	Bracket	1		
12	4700603001	Washer	2		
13	4700508025	Screw, M6x20 mm 8.8 A2K	2		
14	4812118680	Bracket	2		
15	4700500029	Steel plain washer	4		
16	4700904230	Plain washer 10.5x22x2 mm	4		

Fuel system Fuel tank module

Item	Part No.	Name	Qty	L	SN INFO
1	-	Fuel tank	1		
2		Bracket assy	1		
3	4700904229	Washer, 8.4x 6x1.5 mm 300HV	8		
4	4700500047	Hexagon head screw	16		
5	4700904640	Washer, 8.4x22x3 mm 300HV	16		
6	4700500021	Screw, M8x25 mm 8.8 A2K	8		

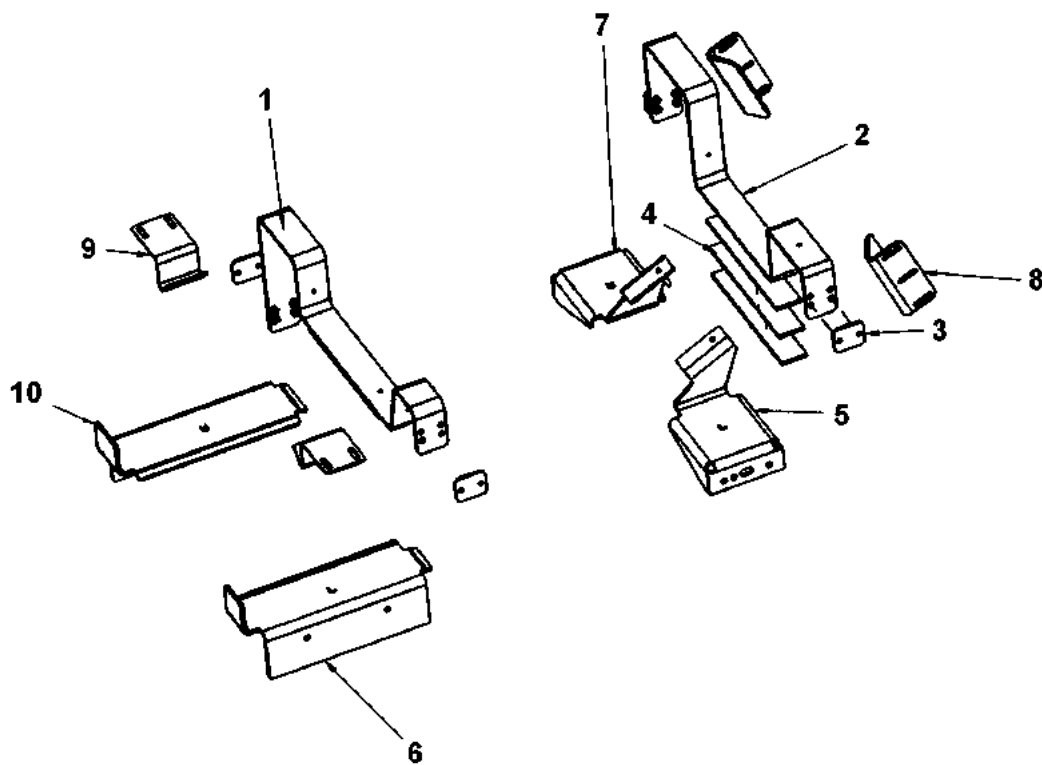
Fuel system Fuel tank



Refer to Parts Online for the most up to date information. The printed information might be outdated.

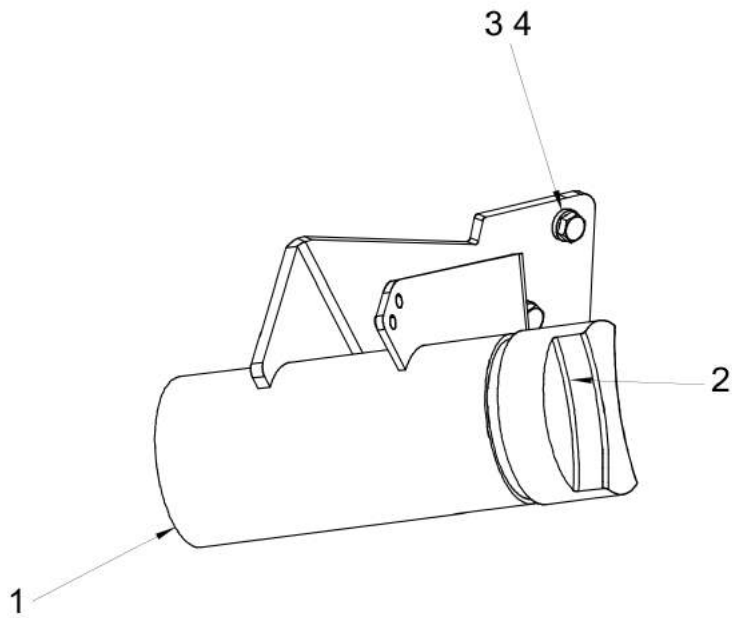
Wed Apr 11 13:33:15 UTC 2018

Item	Part No.	Name	Qty	L	SN INFO
1	4812116100	Fuel tank	1		
2	4812114949	Gasket	1		
3	4812114813	Adapter	1		
4	4812114935	Level sensor	1		
5	4812116834	Gasket	2		
6	4812112655	Flange gasket	1		
7	4812112656	Flange connection	1		
8	4812118670	Fuel hose	1		
9	4812116290	Rubber cloth	1		
10	4812118275	Fuel pipe	1		
11	4700513012	Screw, M6 x 20 mm 10.9 GEOMET®	5		
12	4812116836	Fuel pipe	1		
13	4700904206	Screw, M6x16 mm	18		
14	4700500009	Hex. screw	5		
15	4700313033	Hose clamp	1		
16	4700904281	Washer, 5,3x10x1 300HV	5		
17	4700313033	Hose clamp	1		
18	4700395785	Expansion rivet	4		

Fuel system Bracket assy

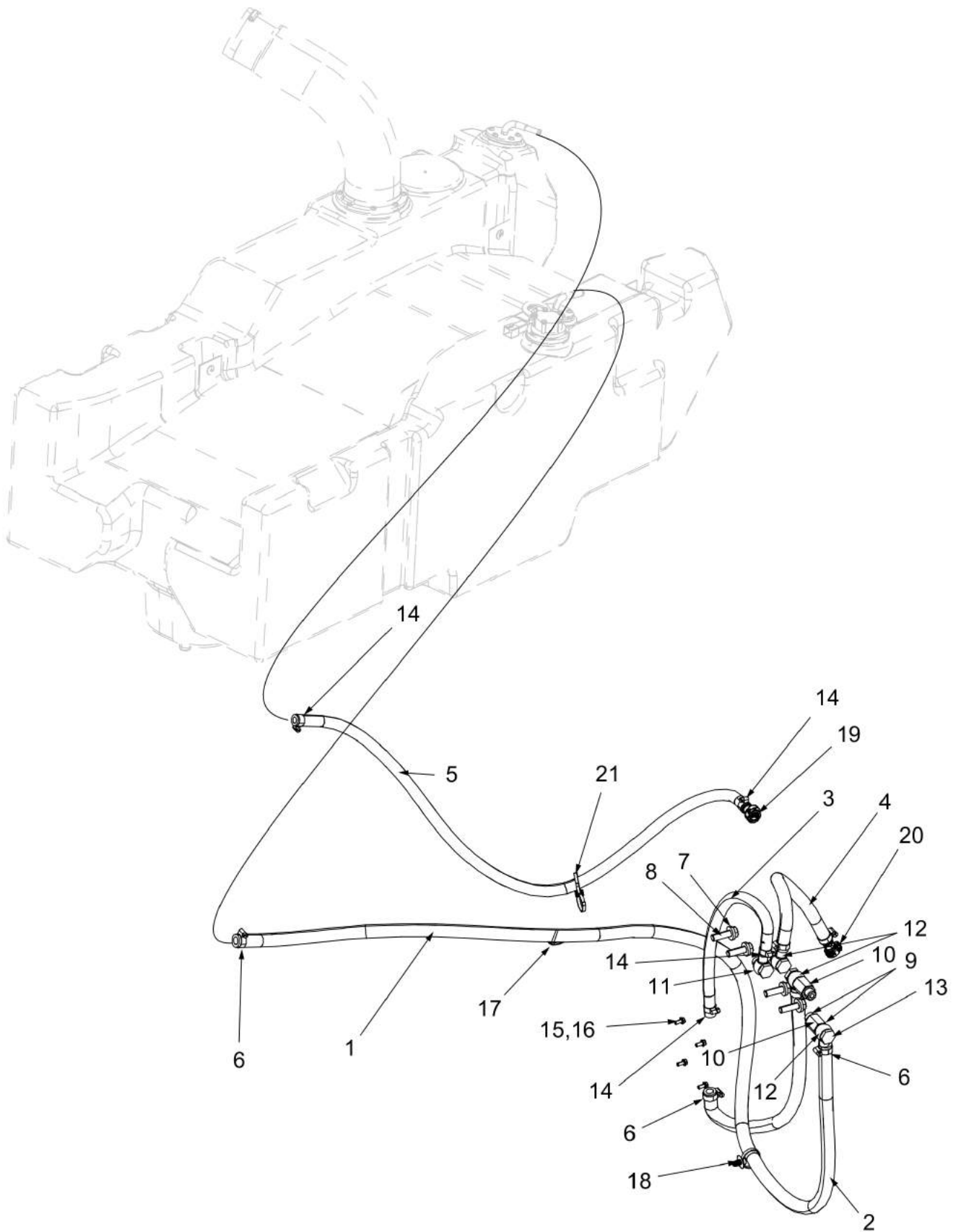
Item	Part No.	Name	Qty	L	SN INFO
1	4812116285	Bracket	1		
2	4812116286	Bracket	1		
3	4812112639	Spacer	4		
4	4812112761	Rubber cloth	6		
5	4812113640	Bracket	1		
6	4812112647	Bracket	1		
7	4812113641	Bracket	1		
8	4812112777	Bracket	2		
9	4812112776	Bracket	2		
10	4812114913	Bracket	1		

Fuel system Filling module



Item	Part No.	Name	Qty	L	SN INFO
1	4812120376	Bracket	1		
2	4700380436	Fuel cap	1		
3	4700904556	Steel plain washer 8,4x16x3,0	3		
4	4700500021	Screw, M8x25 mm 8.8 A2K	3		

Fuel system Fuel hose kit

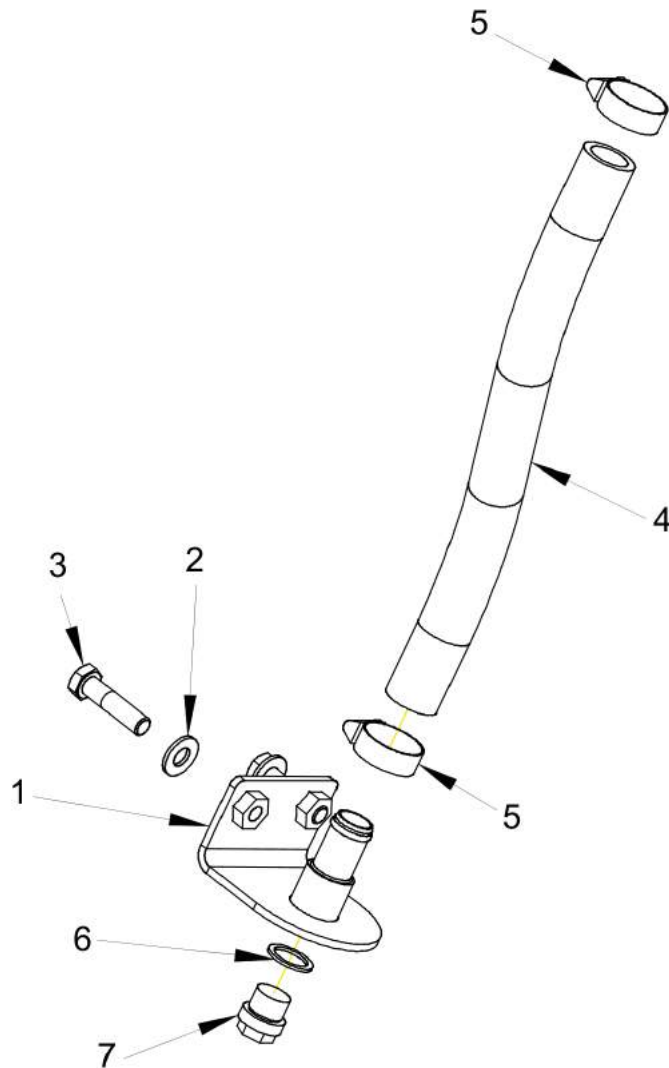


Refer to Parts Online for the most up to date information. The printed information might be outdated.

Wed Apr 11 13:33:17 UTC 2018

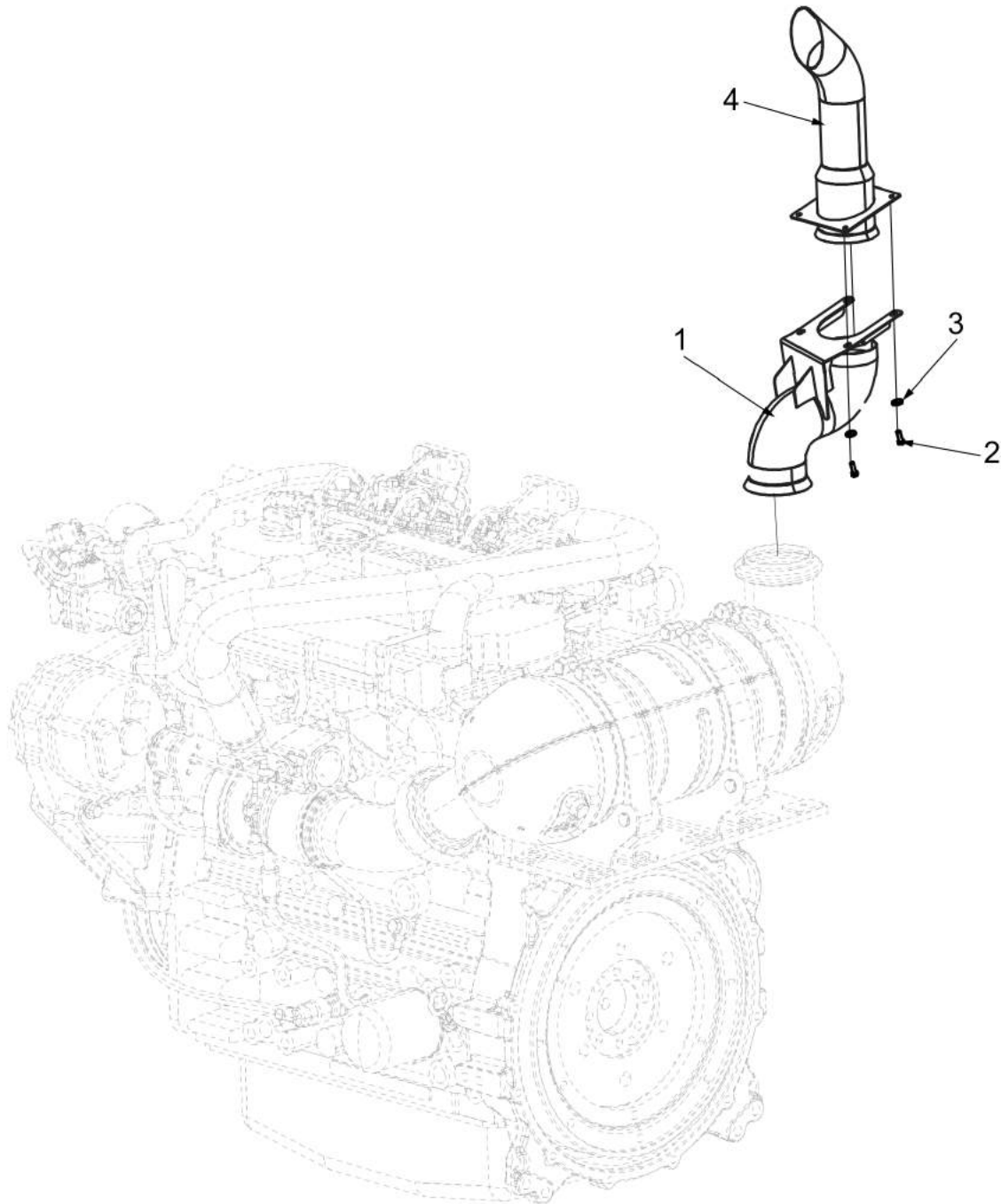
Item	Part No.	Name	Qty	L	SN INFO
1	4700904986	Fuel hose, fire-resistant	1.85		
2	4700904986	Fuel hose, fire-resistant	0.60		
3	4700904985	Fuel hose, fire-resistant	0.45		
4	4700904986	Fuel hose, fire-resistant	0.45		
5	4700904985	Fuel hose, fire-resistant	1.10		
6	4700313002	Hose clamp	6		
7	4700904557	Washer, 10.5x22x4 mm 300 HV	4		
8	4700500030	Hexagon head screw	4		
9	4700330330	Copper washer	10		
10	4812113111	Straight connector	2		
11	4811000463	Banjo coupling	1		
12	4700234927	Banjo coupling	3		
13	4700234928	Screw, M16x1,5	4		
14	4700313001	Hose clamp, 11-18 x 9 mm	4		
15	4700904281	Washer, 5,3x10x1 300HV	4		
16	4700500004	Screw M5x12 8,8	4		
17	4700925802	Cable ties L=142 mm	N		
18	4700792441	Cable tie with holder	1		
19	4812121689	Quick coupling	1		
20	4812121691	Quick coupling	1		
21	4700792686	Cable tie with holder	1		

Fuel system Draining module



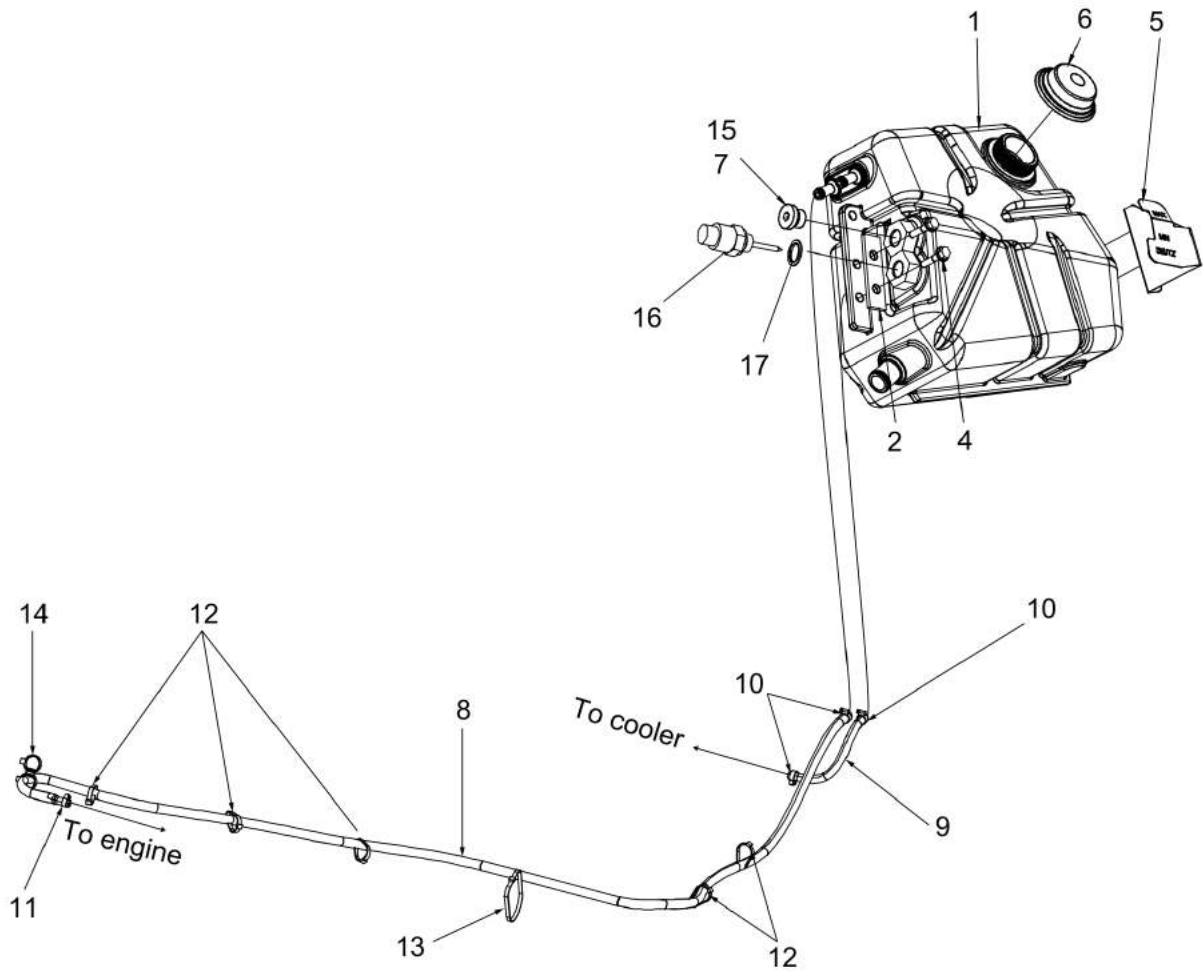
Item	Part No.	Name	Qty	L	SN INFO
1	4812120205	Bracket	1		
2	4700904230	Plain washer 10.5x22x2 mm	2		
3	4700500031	Screw M10x40	2		
4	4700904988	Fuel hose	0.45		
5	4700313006	Hose clamp	2		
6	4700330331	Washer 18,2x23,9x1,5	1		
7	4700232160	Plug screw	1		

Engine Exhaust system



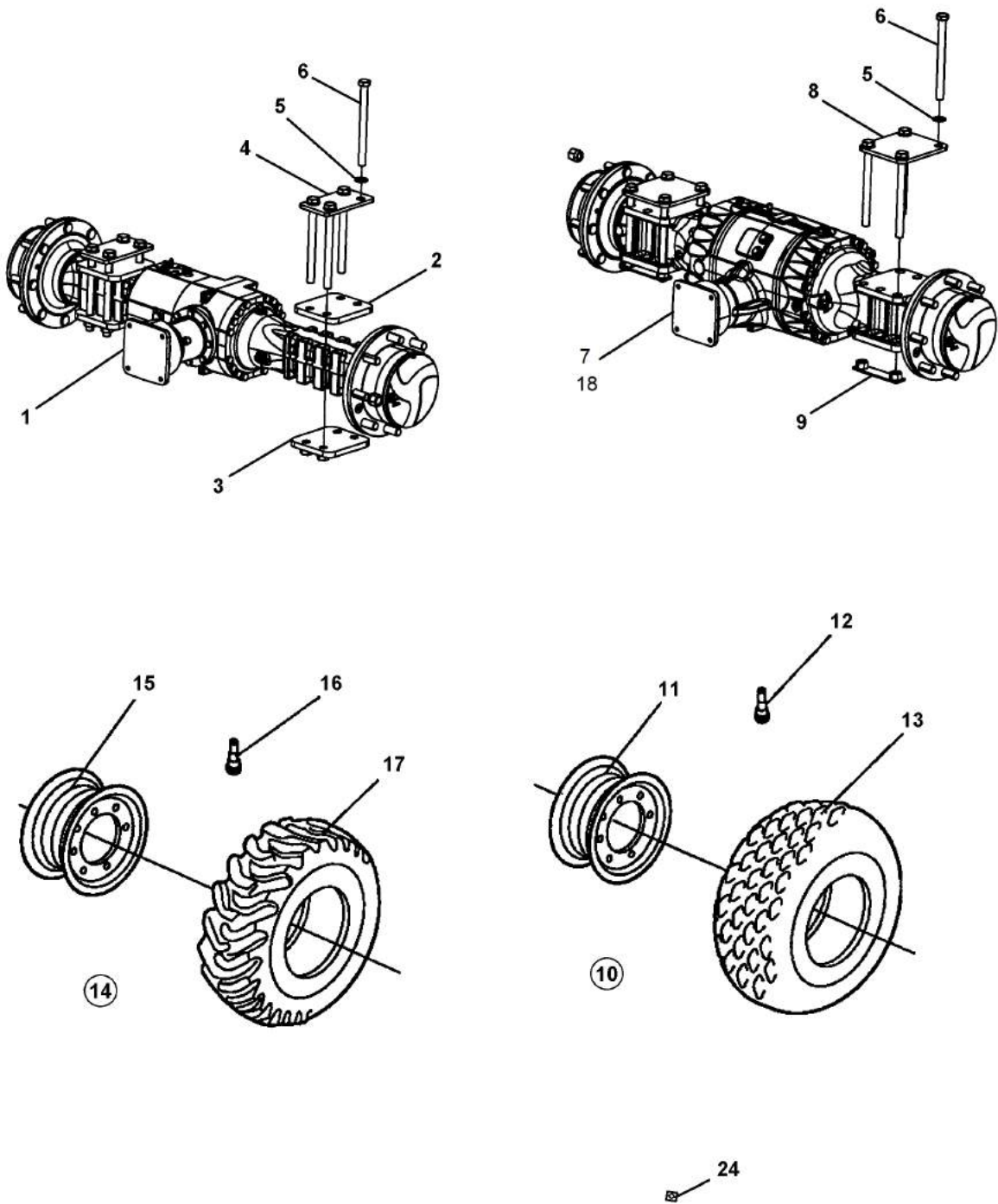
Item	Part No.	Name	Qty	L	SN INFO
1	4812118717	Exhaust pipe	1		
2	4700904640	Washer, 8.4x22x3 mm 300HV	4		
3	4700500021	Screw, M8x25 mm 8.8 A2K	4		
4	4812112479	Exhaust pipe	1		

Engine Expansion tank



Item	Part No.	Name	Qty	L	SN INFO
1	4812117379	Expansion tank, plastic	1		
2	4700381413	Washer	2		
4	4700500503	Screw, M6x30 mm 8.8 A2K	4		
5	4812117533	Indicator	1		
6	4700903714	Cooler cap	1		
7	4700792295	Steel plug	1		
8	4812118767	Hose	1		
9	4700904985	Fuel hose, fire-resistant	1		
10	4700313002	Hose clamp	3		
11	4700313001	Hose clamp, 11-18 x 9 mm	1		
12	4700313102	Cable ties	5		
13	4700313102	Cable ties	1		
14	4812117248	Cable tie with holder	1		
15	4700160080	O-ring	1		
16	4812112421	Level sensor	1		
17	4700162015	Seal ring	1		

Transmission Rear axle and wheels



Item	Part No.	Name	Qty	L	SN INFO
1	4812116234	Rear axle Limited-Spin	1		
2	4812116605	Spacer	2		
3	4812116604	Nut-plate	2		
4	4812116606	Spacer	2		
5	4700904233	Steel plain washer 21x36x3	8		
6	4700500295	Screw	8		
7	4812116238	Rear axle cpl No-spin	1		
8	4812116607	Spacer	2		
9	4812112393	Nut-plate	4		
10	-	Wheel, cpl	2	A	
11	4812120593	Rim	1		
12	4700792261	Air charging valve Straight	1		
13	4700394645	Tyre	1		
14	-	Tractor wheel, cpl	2		
15	4812120593	Rim	1		
16	4700792261	Air charging valve Straight	1		
17	4700390812	Tyre	1		
18	4812116237	Rear axle, limited slip	1		
24	4700903985	Decal "SAFETY	4	C	

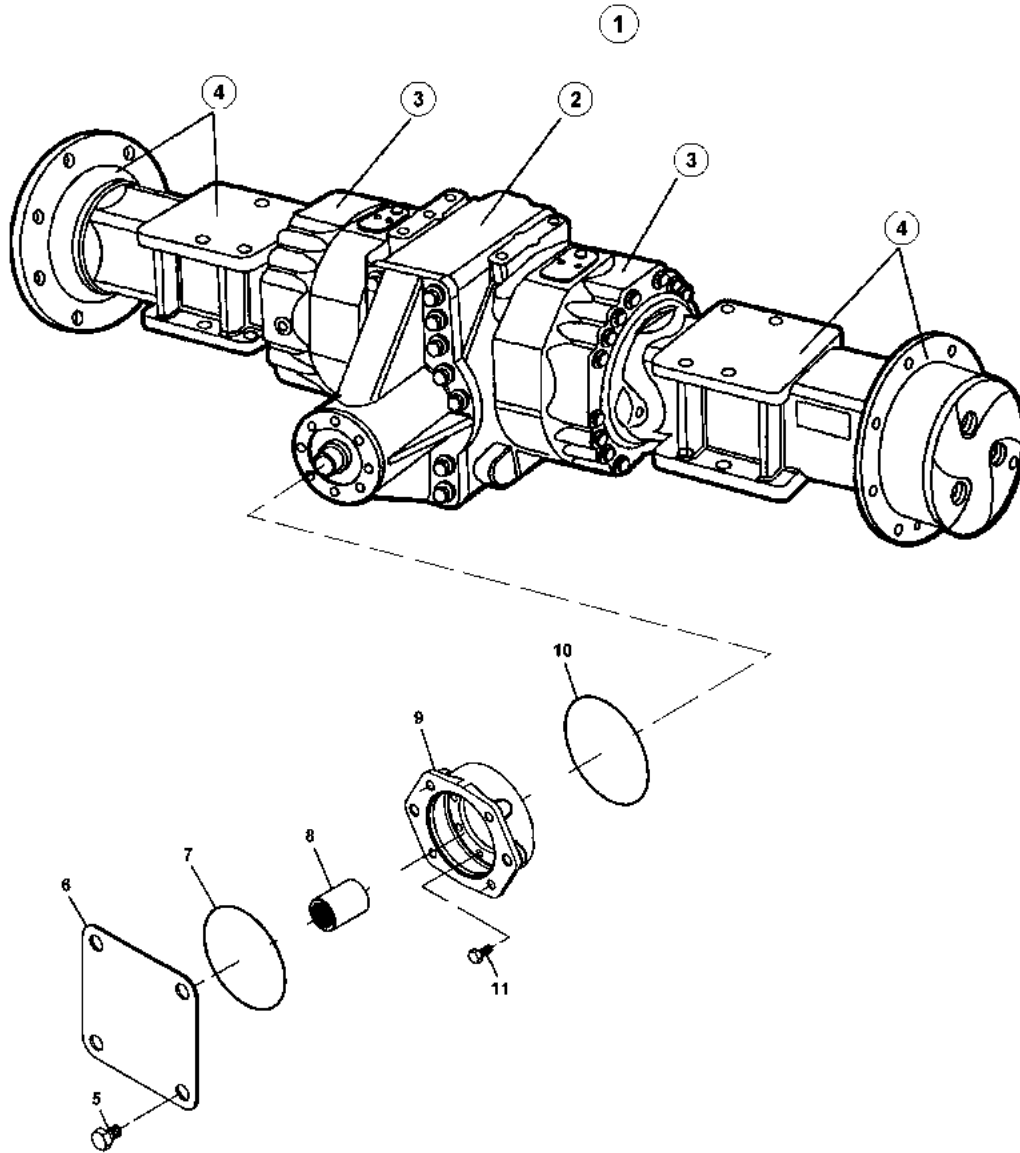
Comments for Page: Rear axle and wheels

(L)OCAL REMARKS

A | en_US | All-weather wheel.

C | en_US | Used with liquid filled tires.

4812116234 Rear axle Limited-Spin 4812116234 Rear axle Limited-Spin

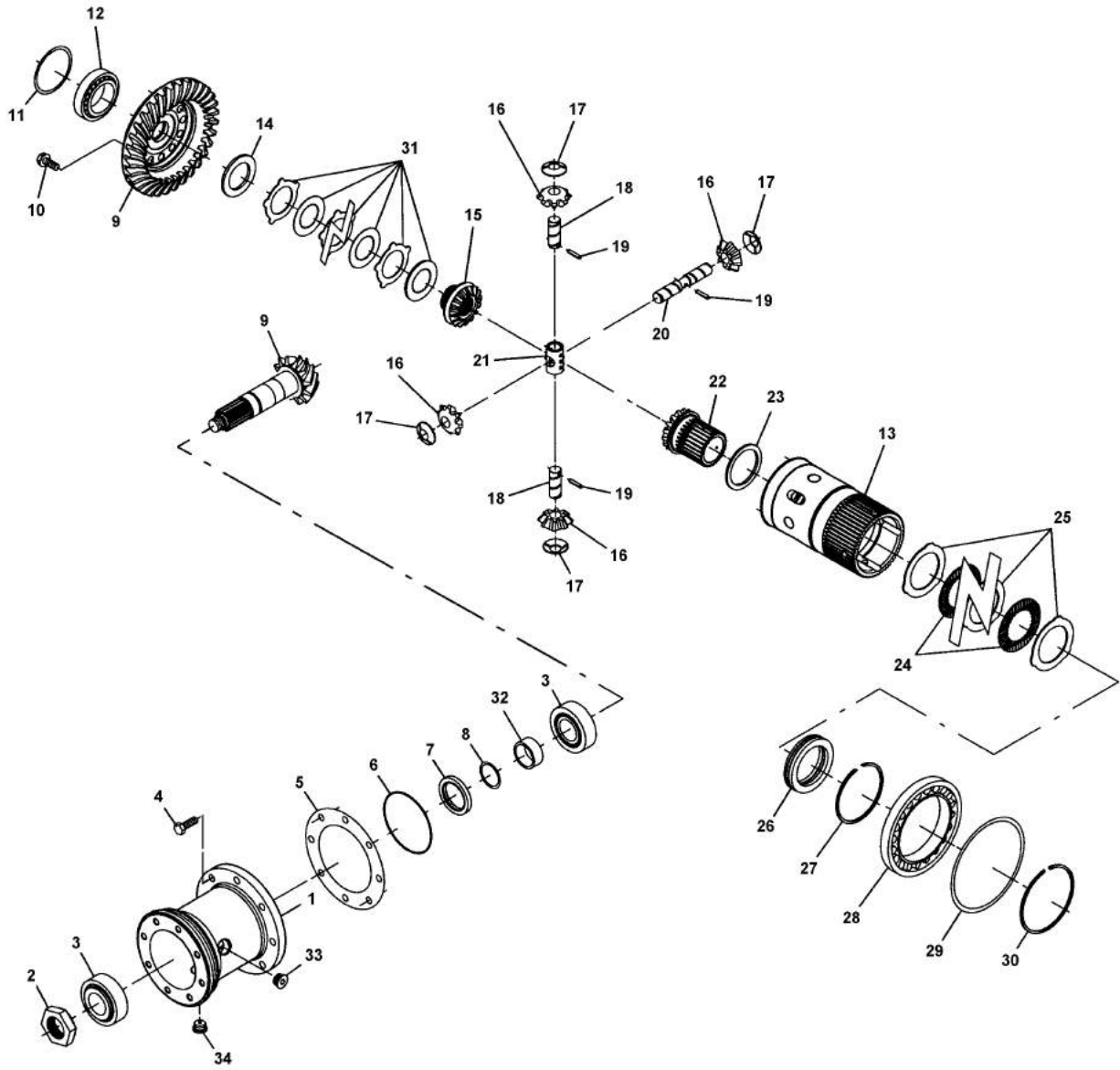


Refer to Parts Online for the most up to date information. The printed information might be outdated.

Wed Apr 11 13:33:19 UTC 2018

Item	Part No.	Name	Qty	L	SN INFO
1	-	Rear axle, limited slip	1		
2	-	Differential	1		
3	-	Central housing & Brakes	1		
4	-	Hub reduction	1		
5	-	Hexagon bolt	4		
6	-	Sheet	1		
7	-	O-ring	1		
8	4812158489	Bushing	1		
9	-	Injector part	1		
10	4700929648	O-ring	1		
11	-	Cylinder bolt	8		

4812116234 Rear axle Limited-Spin Differential

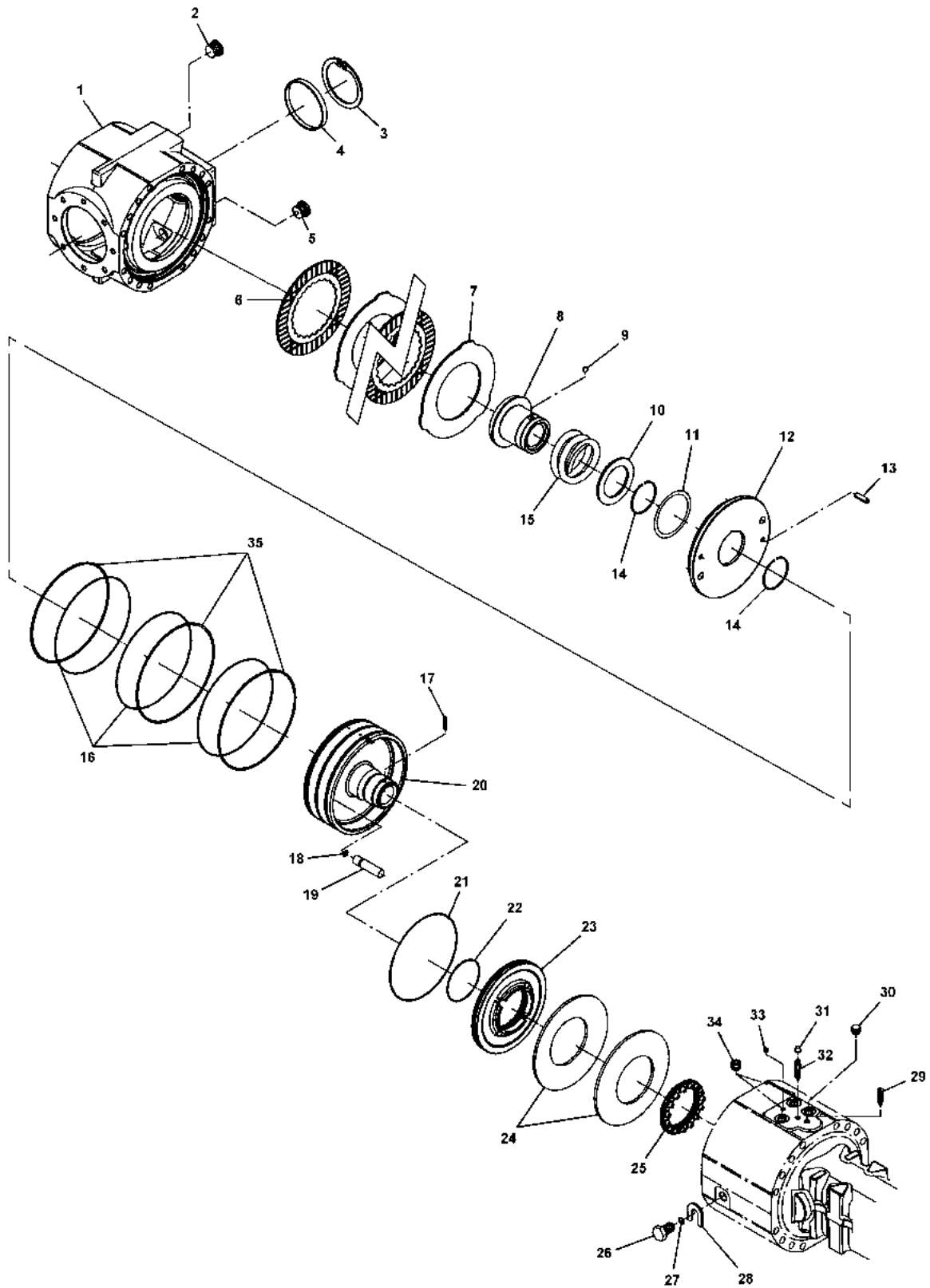


Refer to Parts Online for the most up to date information. The printed information might be outdated.

Wed Apr 11 13:33:20 UTC 2018

Item	Part No.	Name	Qty	L	SN INFO
1	-	Injector part	1		
2	-	Ring nut	1		
3	4812158490	Bearing	2		
4	-	Bolt	8		
5	-	Shim	1		
6	4812158491	O-ring	1		
7	4700909596	Plug	2		
8	-	Shim	1		
9	4812158492	Bevel gear set	1		
10	-	Bolt	12		
11	-	Shim	1		
12	4812158493	Taper roller bearing	1		
13	-	Differential carrier	1		
14	4812162280	Friction washer	1		
15	4812162158	Differential side gear	1		
16	4812162155	Differential pinion	4		
17	4812162156	Friction washer	4		
18	-	Pin	2		
19	-	Dowel	3		
20	-	Pin	1		
21	-	Shaft retainer	1		
22	4812162159	Differential side gear	1		
23	4812162160	Friction washer	1		
24	-	Clutch disc	7		
25	-	Intermediate clutch disc	8		
26	4812158494	Bearing	1		
27	-	Circlip	1		
28	4700939009	Bearing	1		
29	-	Shim	1		
30	-	Circlip	1		
31	4812162281	Clutch disc	1		
32	-	Spacer	1		
33	-	Plug	1		
34	-	Magnet plug	1		

4812116234 Rear axle Limited-Spin Central housing & Brakes



Refer to Parts Online for the most up to date information. The printed information might be outdated.

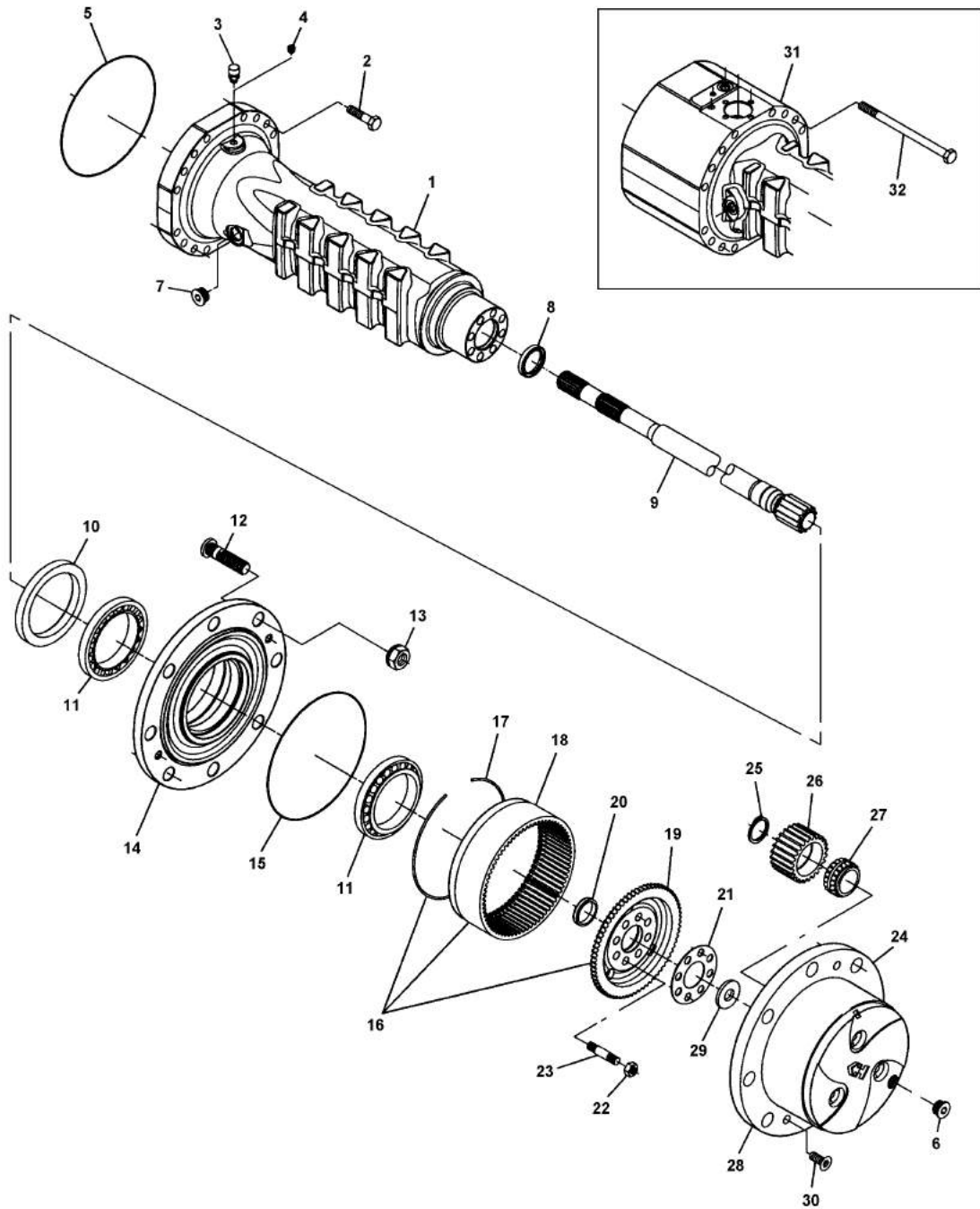
Wed Apr 11 13:33:21 UTC 2018

Item	Part No.	Name	Qty	L	SN INFO
1	-	Housing	1		
2	-	Plug	1		
3	-	Circlip	1		
4	-	Plug	1		
5	4812155463	Magnetic plug	1		
6	-	Brake disc	6		
7	-	Intermediate brake disc	6		
8	-	Bushing	1		
9	-	Detend ball	1		
10	-	Spacer	1		
11	-	Shim	2		
12	-	Intermediate brake disc	1		
13	-	Roll pin	2		
14	-	Circlip	2		
15	-	Lock Nut	1		
16	4812158495	O-ring	2		
17	-	Dowel	1		
18	4700950514	O-ring	3		
19	-	Pin	3		
20	-	Piston	1		
21	4700950463	O-ring	1		
22	4700950464	O-ring	1		
23	-	Piston	1		
24	-	Lock Nut	2		
25	-	Ring nut	1		
26	-	Bolt	2		
27	4700929686	O-ring	2		
28	-	Spacer	2		
29	-	Grub bolt	1		
30	-	Plug	1		
31	-	Plug	1		
32	-	Bleeding bolt	1		
33	-	Plug	1		
34	-	Plug	2		
35	4700950465	Back-up ring	2		

Refer to Parts Online for the most up to date information. The printed information might be outdated.

Wed Apr 11 13:33:21 UTC 2018

4812116234 Rear axle Limited-Spin Hub reduction

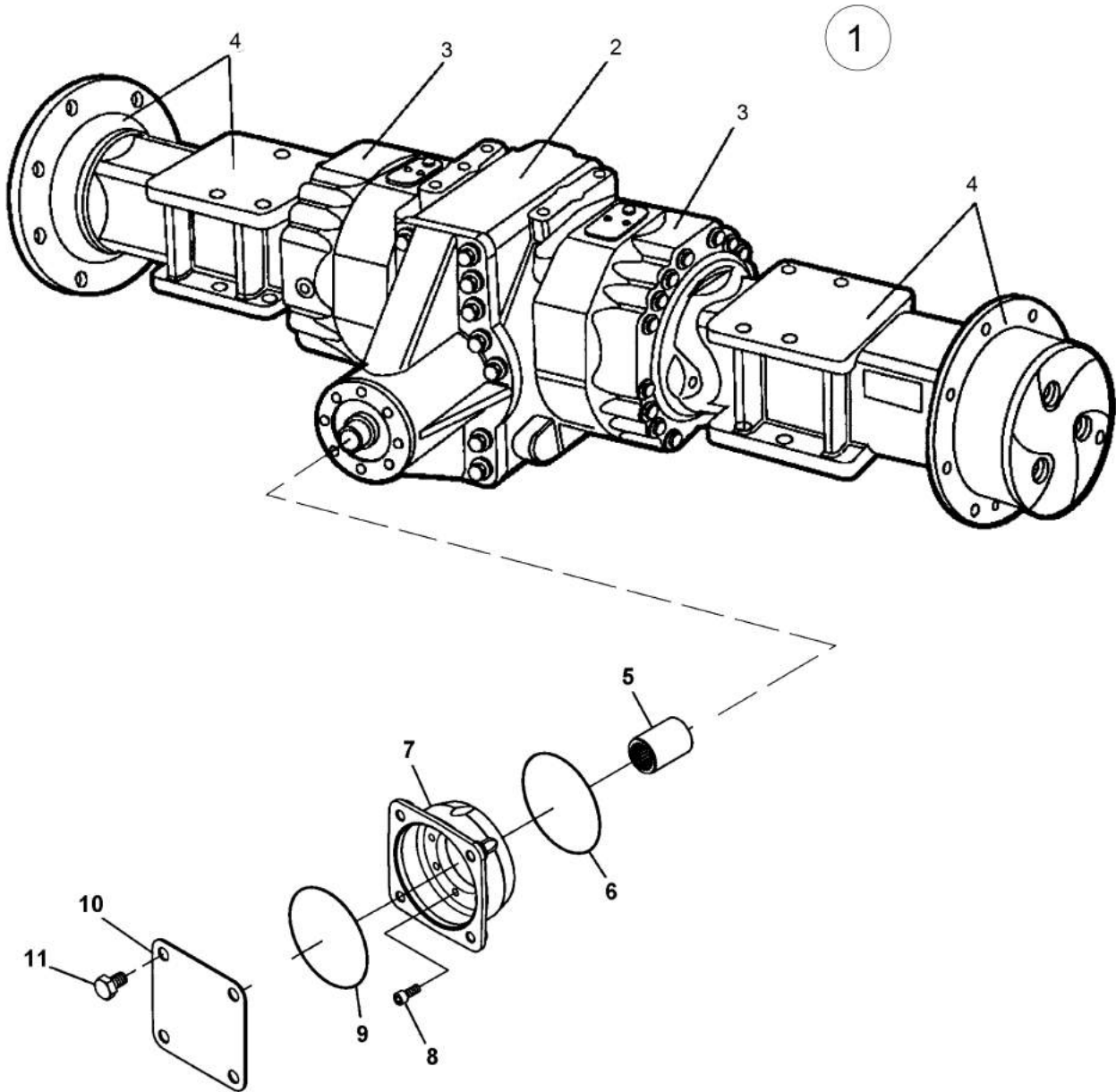


Refer to Parts Online for the most up to date information. The printed information might be outdated.

Wed Apr 11 13:33:21 UTC 2018

Item	Part No.	Name	Qty	L	SN INFO
1	-	Left axle case	1		
2	-	Bolt	16		
3	4700900926	Breather	1		
4	-	Plug	1		
5	4700950515	O-ring	2		
6	4700939350	Magnetic plug	2		
7	-	Plug	1		
8	-	Ring	2		
9	-	Half shaft	2		
10	4812158496	Seal	2		
11	4812158497	Bearing	4		
12	4700926781	Wheel screw	16		
13	4700901987	Wheel nut	16		
14	-	Wheel hub	2		
15	4700936020	O-ring	2		
16	-	Ring gear support	2		
17	--	Circlip	2		
18	--	Ring gear	2		
19	--	Ring gear support	2		
20	-	Centering gear	2		
21	-	Locking plate	1		
22	-	Lock Nut	16		
23	-	Plain washer	16		
24	-	Planet gear carrier kit	2		
25	--	Circlip	6		
26	--	Planet gear	6		
27	4700939013	Bearing	6		
28	--	Planet gear carrier	2		
29	--	Friction washer	2		
30	-	Countersunk bolt	4		
31	-	Right axle case	1		
32	-	Bolt	16		

4812116237 Rear axle Limited-Spin 4812116237 Rear axle cpl, Limited-spin

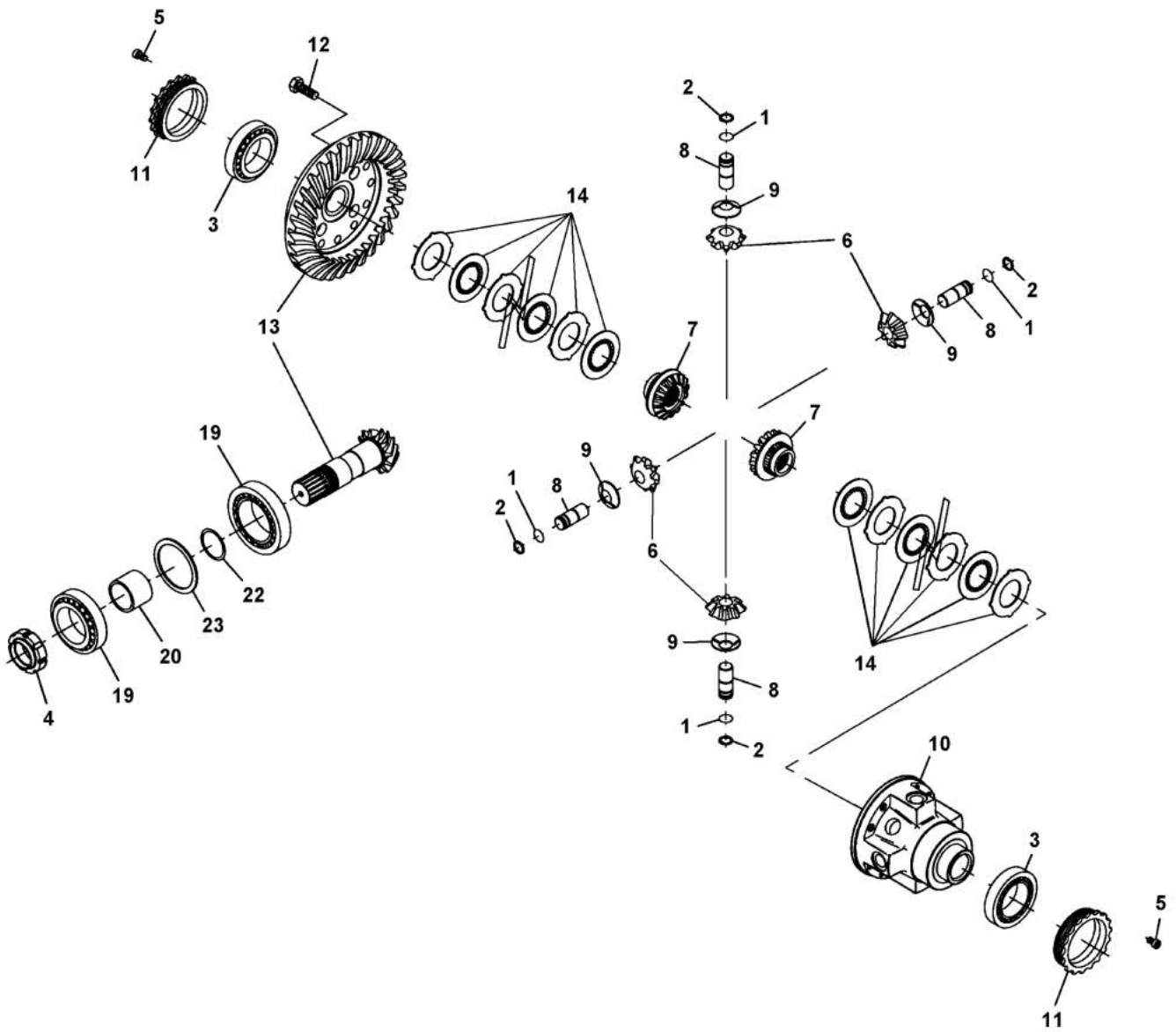


Refer to Parts Online for the most up to date information. The printed information might be outdated.

Wed Apr 11 13:33:23 UTC 2018

Item	Part No.	Name	Qty	L	SN INFO
1	4812116237	Rear axle, limited slip	1		
2	--	Differential	1		
3	--	Centralhousing & Brakes	1		
4	--	Hub reduction	1		
5	4812158569	Bushing	1		
6	4700929648	O-ring	1		
7	--	Cover	1		
8	--	Cylinder bolt	8		
9	--	O-ring	1		
10	--	Sheet	1		
11	--	Hexagon bolt	4		

4812116237 Rear axle Limited-Spin Differential

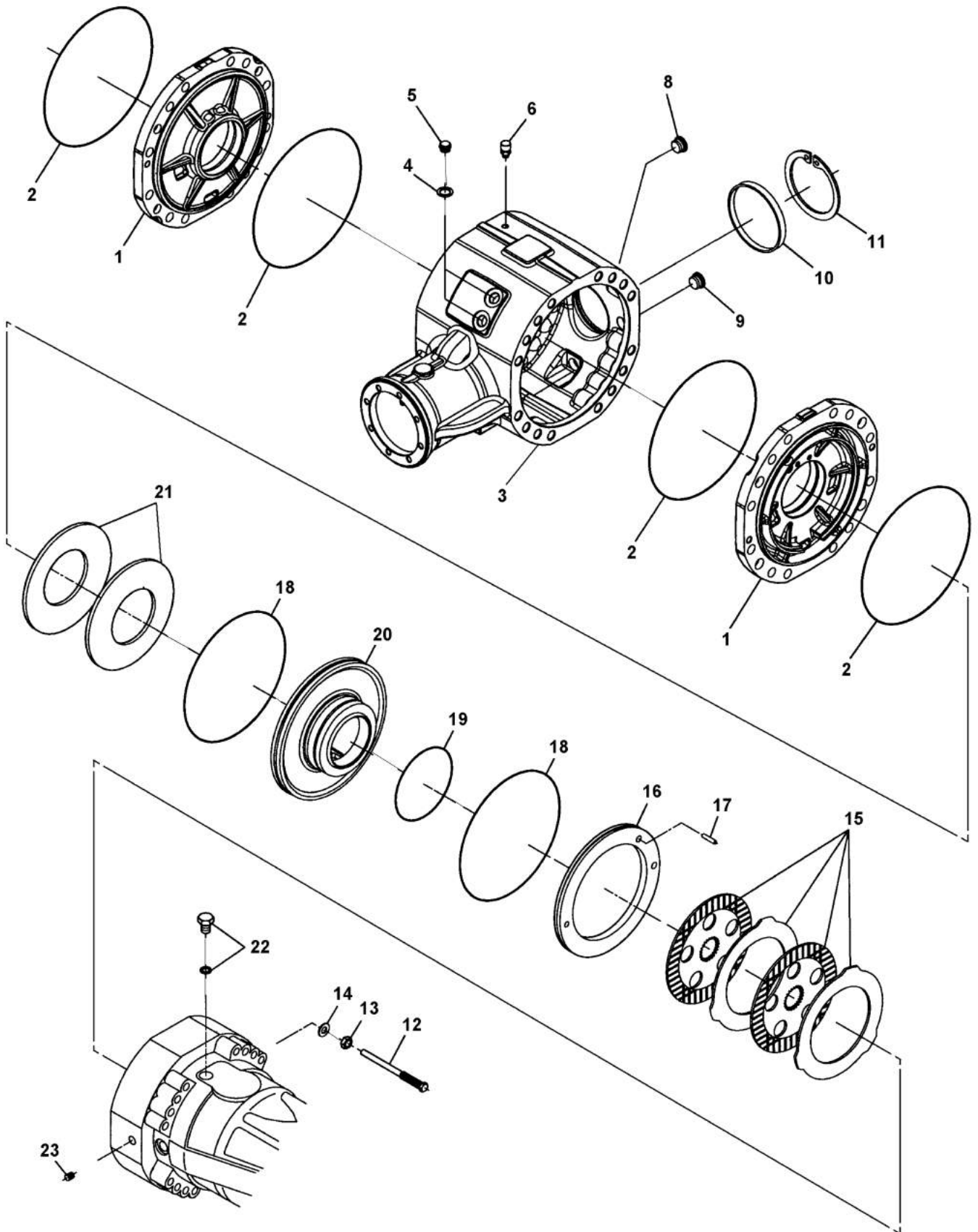


Refer to Parts Online for the most up to date information. The printed information might be outdated.

Wed Apr 11 13:33:25 UTC 2018

Item	Part No.	Name	Qty	L	SN INFO
1	-	Circlip	4		
2	-	Circlip	4		
3	4812157358	Taper roller bearing	2		
4	-	Ring nut	1		
5	-	Bolt	2		
6	-	Differential pinion	4		
7	-	Differential side gear	2		
8	-	Pin	4		
9	-	Friction washer	4		
10	-	Differential carrier	1		
11	-	Ring nut	2		
12	-	Bolt	16		
13	4812157359	Bevel gear set	1		
14	4812158573	Disc kit	2		
19	4812157360	Roller bearing	1		
20	-	Spacer	1		
22	-	Shim	1		
23	-	Shim	1		

4812116237 Rear axle Limited-Spin Central housing & Brakes

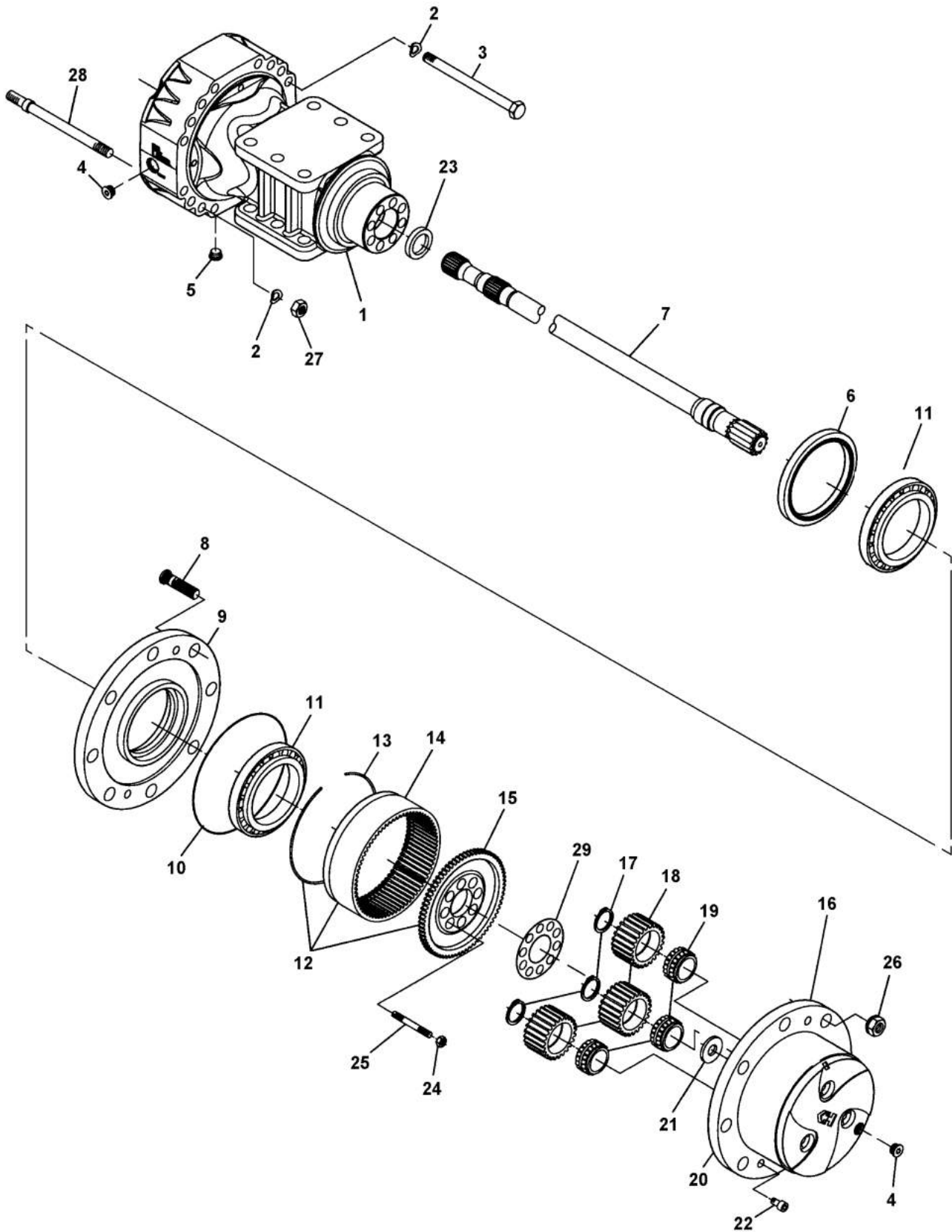


Refer to Parts Online for the most up to date information. The printed information might be outdated.

Wed Apr 11 13:33:26 UTC 2018

Item	Part No.	Name	Qty	L	SN INFO
1	-	Injector part	2		
2	4700909609	O-ring	4		
3	-	Housing	1		
4	-	Washer	2		
5	-	Bolt	2		
6	4700938984	Vent nipple	1		
8	-	Plug	1		
9	4700939350	Magnetic plug	1		
10	-	Plug	1		
11	-	Snap ring	1		
12	-	Bolt	4		
13	-	Lock Nut	4		
14	-	Lock washer	4		
15	4812158573	Disc kit	2		
16	-	Ring	2		
17	-	Dowel	2		
18	4700909609	O-ring	4		
19	4812156954	O-ring	2		
20	-	Piston	2		
21	-	Lock Nut	4		
22	-	Plug	2		
23	-	Plug	2		

4812116237 Rear axle Limited-Spin Hub reduction

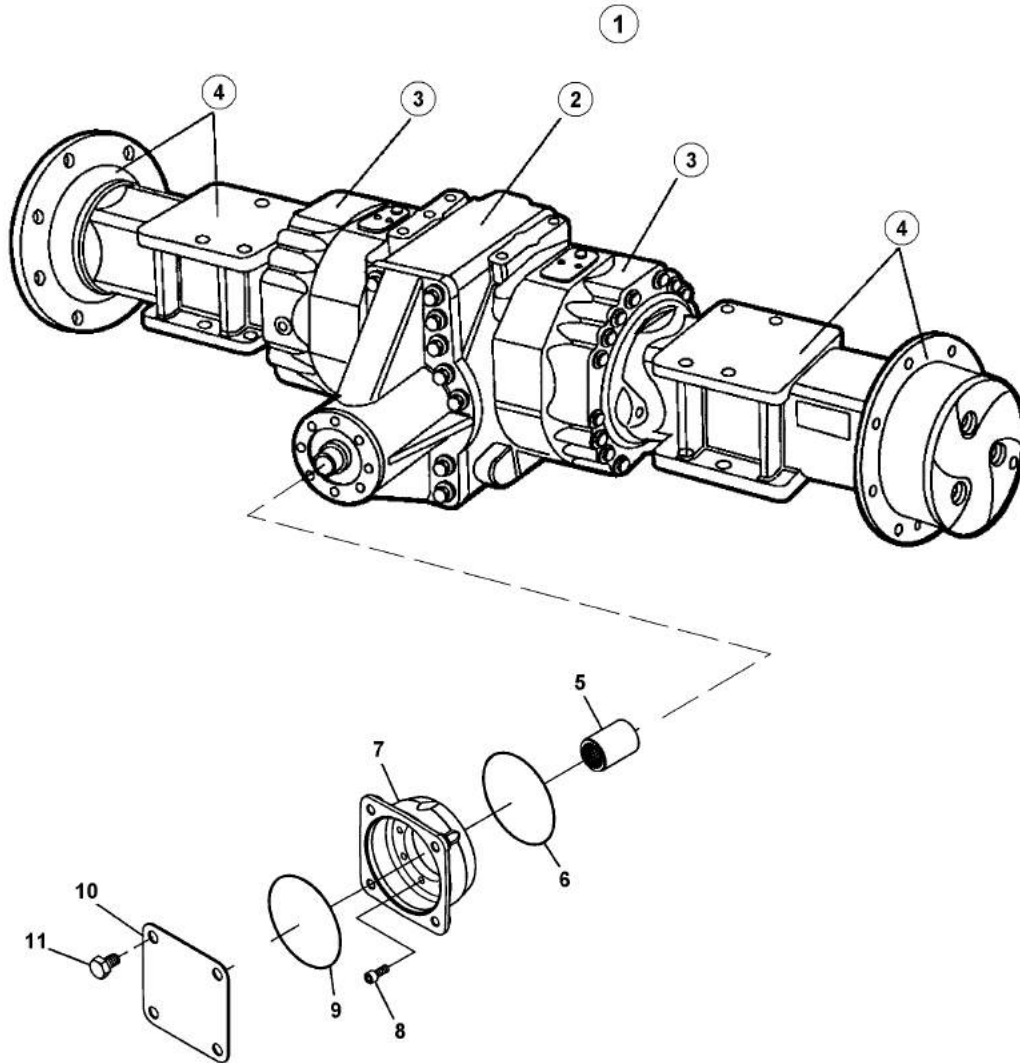


Refer to Parts Online for the most up to date information. The printed information might be outdated.

Wed Apr 11 13:33:28 UTC 2018

Item	Part No.	Name	Qty	L	SN INFO
1	-	Axle case	2		
2	-	Spring washer	8		
3	-	Bolt	24		
4	-	Plug	2		
5	4700939350	Magnetic plug	4		
6	4812156796	Seal	2		
7	-	Half shaft	2		
8	4700926781	Wheel screw	16		
9	-	Wheel hub	2		
10	4700936020	O-ring	2		
11	4700939009	Bearing	4		
12	4812158571	Ring gear support kit	2		
13	-	Circlip	2		
14	-	Ring gear	2		
15	-	Ring gear support	2		
16	4812158570	Ring gear carrier kit	2		
17	-	Circlip	6		
18	-	Planet gear	6		
19	4700939013	Bearing	6		
20	-	Planet gear carrier	2		
21	-	Friction washer	2		
22	-	Counterstrike bolt	4		
23	4700939014	Seal	2		
24	-	Lock Nut	16		
25	-	Plain washer	16		
26	4700901987	Wheel nut	16		
27	-	Lock Nut	8		
28	-	Plain washer	8		
29	-	Locking plate	2		

4812116238 Rear axle cpl No-spin 4812116238 Rear axle cpl, No-spin

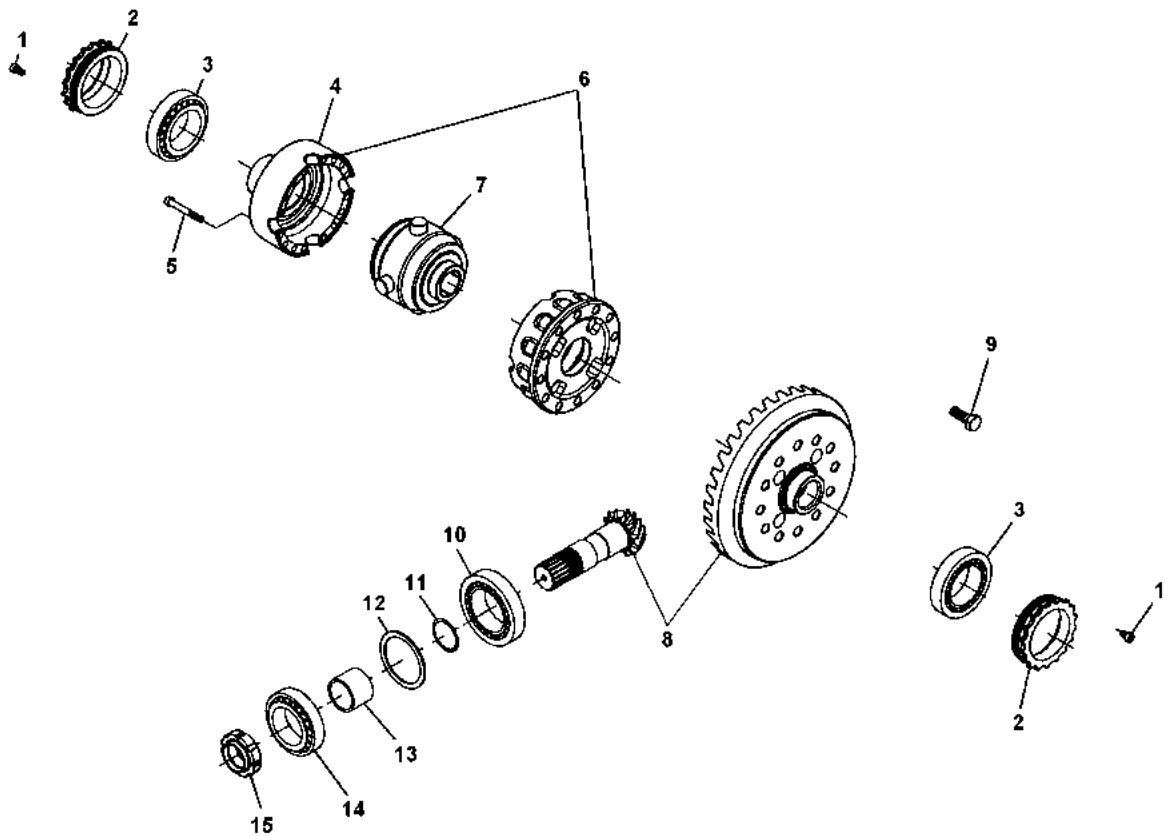


Refer to Parts Online for the most up to date information. The printed information might be outdated.

Wed Apr 11 13:33:29 UTC 2018

Item	Part No.	Name	Qty	L	SN INFO
1	4812116238	Rear axle cpl No-spin	1		
2	--	Differential	1		
3	--	Central housing & Brakes	1		
4	--	Hub reduction	1		
5	4812158569	Bushing	1		
6	4700929648	O-ring	1		
7	--	Cover	1		
8	--	Cylinder bolt	8		
9	--	O-ring	1		
10	--	Sheet	1		
11	--	Hexagon bolt	4		

4812116238 Rear axle cpl No-spin Differential

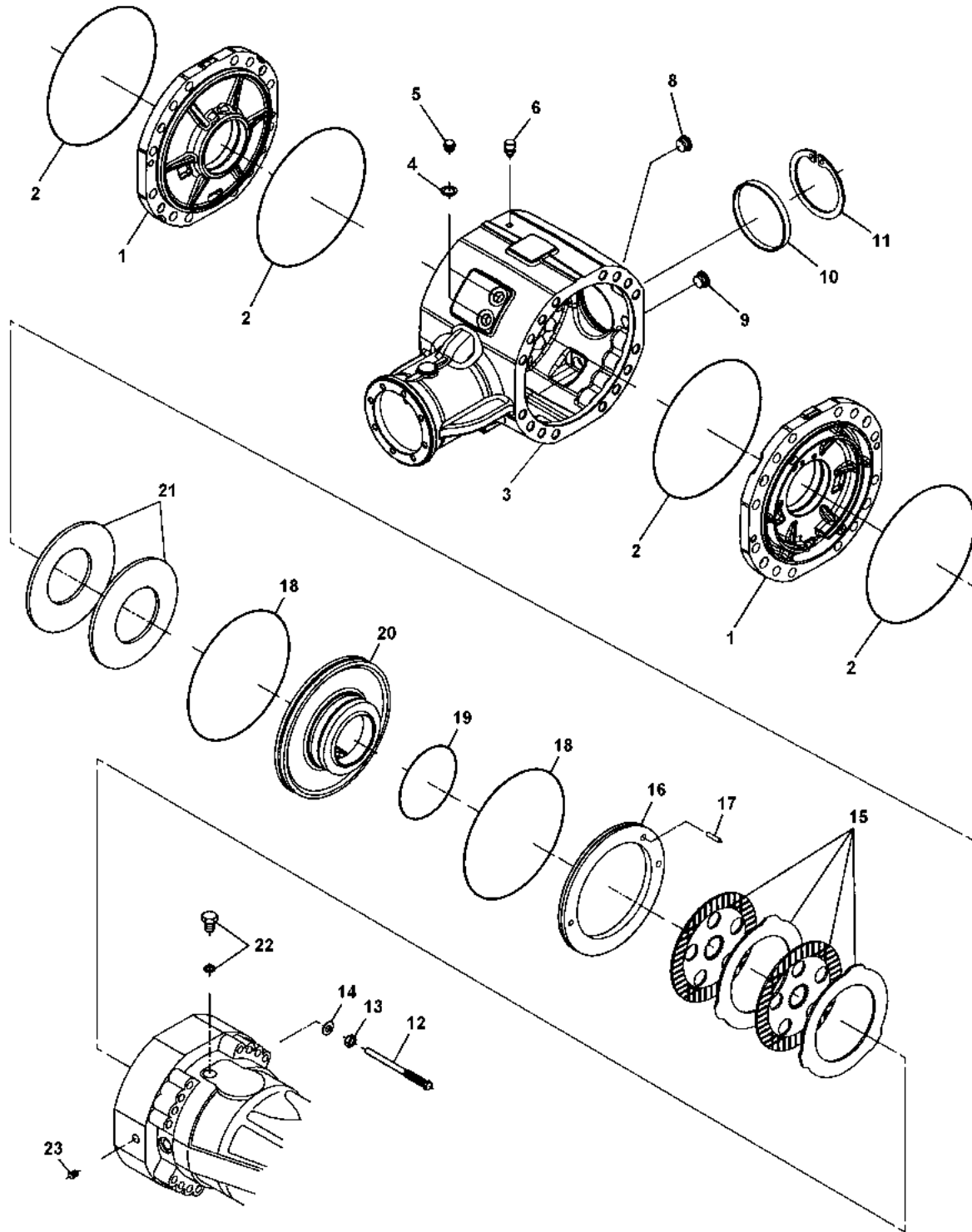


Refer to Parts Online for the most up to date information. The printed information might be outdated.

Wed Apr 11 13:33:29 UTC 2018

Item	Part No.	Name	Qty	L	SN INFO
1	-	Bolt	2		
2	-	Ring nut	2		
3	4812157358	Taper roller bearing	2		
4	-	No-spin differential	1		
5	-	Bolt	16		
6	-	Differential carrier	1		
7	-	No-spin differential	1		
8	4812157359	Bevel gear set	1		
9	-	Bolt	16		
10	4812157361	Roller bearing	1		
11	-	Shim	1		
12	-	Shim	1		
13	-	Spacer	1		
14	4812157360	Roller bearing	1		
15	-	Ring nut	1		

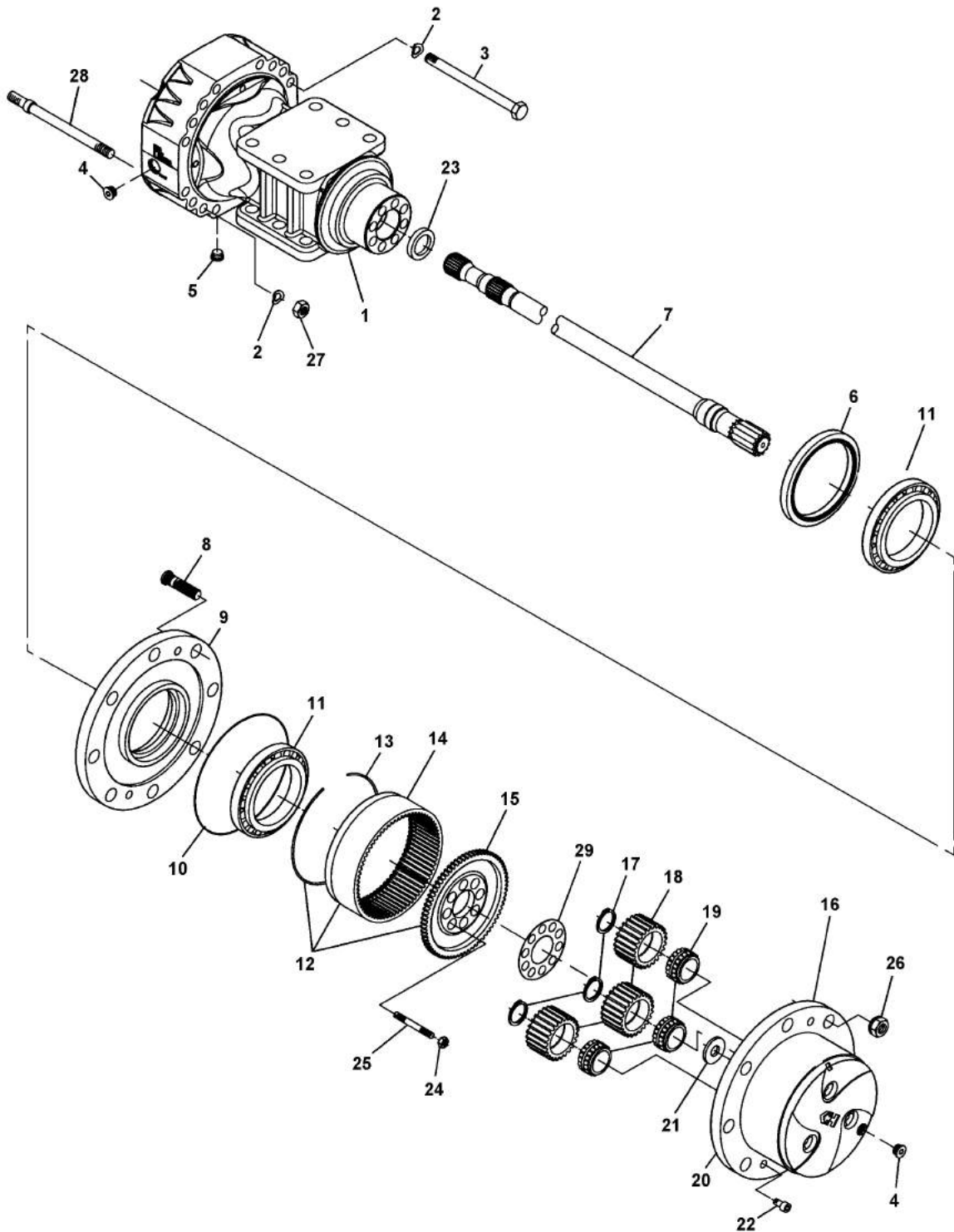
4812116238 Rear axle cpl No-spin Central housing & Brakes



Refer to Parts Online for the most up to date information. The printed information might be outdated.
Wed Apr 11 13:33:29 UTC 2018

Item	Part No.	Name	Qty	L	SN INFO
1	-	Injector part	2		
2	4700909609	O-ring	4		
3	-	Housing	1		
4	-	Washer	2		
5	-	Bolt	2		
6	4700938984	Vent nipple	1		
8	-	Plug	1		
9	4700939350	Magnetic plug	1		
10	-	Plug	1		
11	-	Snap ring	1		
12	-	Bolt	4		
13	-	Lock Nut	4		
14	-	Lock washer	4		
15	4812158572	Brake disc kit	2		
16	-	Ring	2		
17	-	Dowel	2		
18	4700909609	O-ring	4		
19	4812156954	O-ring	2		
20	-	Piston	2		
21	-	Lock Nut	4		
22	-	Plug	2		
23	-	Plug	2		

4812116238 Rear axle cpl No-spin Hub reduction

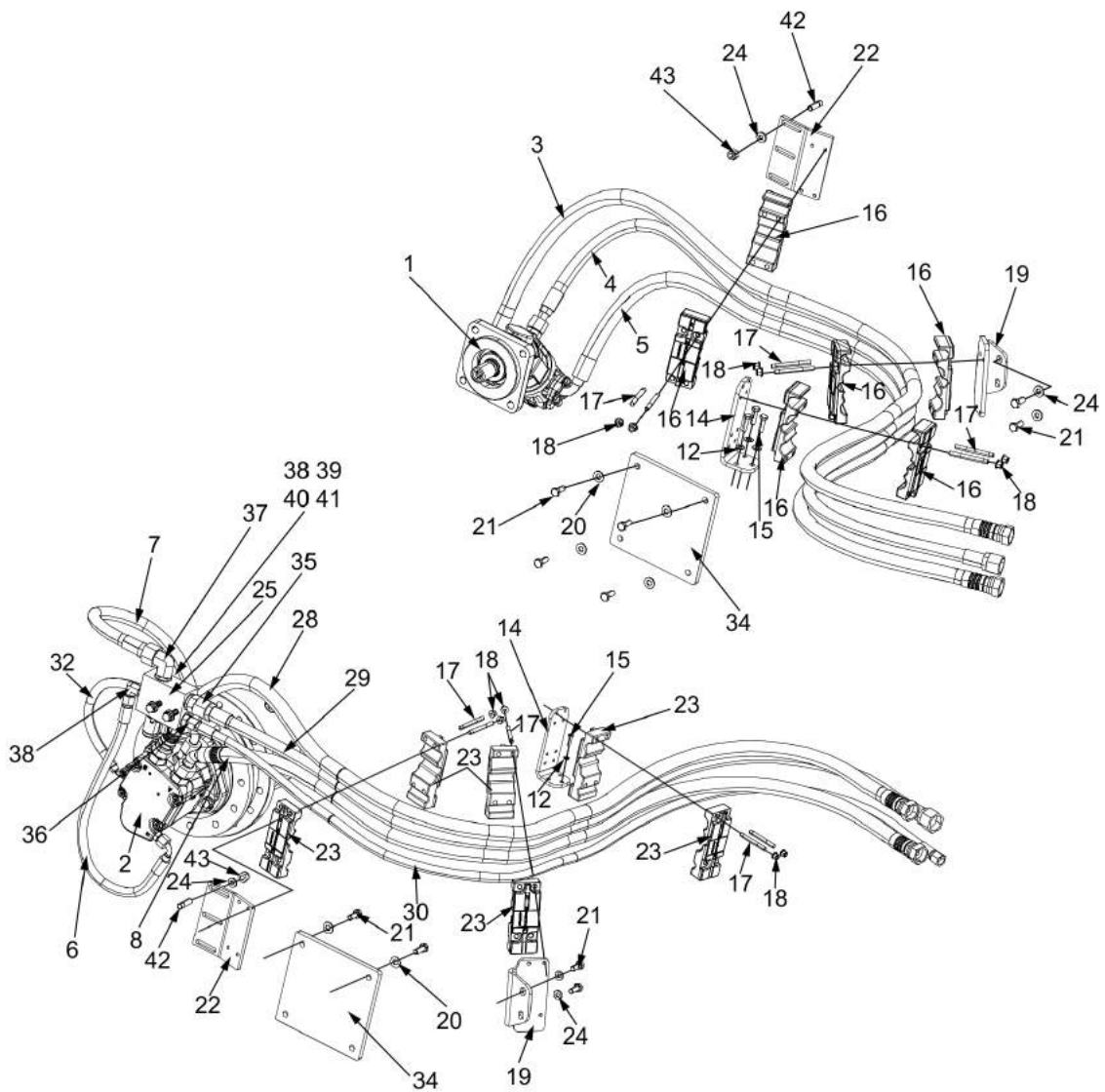


Refer to Parts Online for the most up to date information. The printed information might be outdated.

Wed Apr 11 13:33:30 UTC 2018

Item	Part No.	Name	Qty	L	SN INFO
1	-	Axle case	2		
2	-	Spring washer	8		
3	-	Bolt	24		
4	-	Plug	2		
5	4700939350	Magnetic plug	4		
6	4812156796	Seal	2		
7	-	Half shaft	2		
8	4700926781	Wheel screw	16		
9	-	Wheel hub	2		
10	4700936020	O-ring	2		
11	4700939009	Bearing	4		
12	4812158571	Ring gear support kit	2		
13	--	Circlip	2		
14	--	Ring gear	2		
15	--	Ring gear support	2		
16	4812158570	Ring gear carrier kit	2		
17	--	Circlip	6		
18	--	Planet gear	6		
19	4700939013	Bearing	6		
20	--	Planet gear carrier	2		
21	--	Friction washer	2		
22	-	Countersunk bolt	4		
23	4700939014	Seal	2		
24	-	Lock Nut	16		
25	-	Plain washer	16		
26	4700901987	Wheel nut	16		
27	-	Lock Nut	8		
28	-	Plain washer	8		
29	-	Locking plate	2		

Hydraulic system, drum Traction control - Dual speed Hydraulic system, drum Traction control - Dual speed



Refer to Parts Online for the most up to date information. The printed information might be outdated.

Wed Apr 11 13:33:31 UTC 2018

Item	Part No.	Name	Qty	L	SN INFO
1	-	Hydraulic motor	1	A	
2	-	Hydraulic motor	1	B	
3	4812127129	Hydraulic hose	1		
4	4812115790	Hydraulic hose	1		
5	4812127128	Hydraulic hose	1		
6	4700483684	Hydraulic hose	1		
7	4812115796	Hydraulic hose	1		
8	4812127135	Hydraulic hose	1		
12	4700904229	Washer, 8.4x 6x1.5 mm 300HV	6		
14	4812112308	Bracket	2		
15	4700500022	Screw	6		
16	4812115906	Hose holder	6		
17	4700791805	Stud	24		
18	4700902286	Lock nut, M8x1.25 mm A2K	24		
19	4812113963	Bracket	2		
20	4700904230	Plain washer 10.5x22x2 mm	4		
21	4700500028	Screw, M10 x 25 mm 8.8 A3K	6		
22	4812113569	Bracket	2		
23	4812115907	Hose holder	6		
24	4700904557	Washer, 10.5x22x4 mm 300 HV	4		
25	-	Hydraulic valve module	1		
28	4812127134	Hydraulic hose	1		
29	4812115793	Hydraulic hose	1		
30	4812115795	Hydraulic hose	1		
32	4812115797	Hydraulic hose	1		
34	4812113607	Bracket	2		
35	4700791539	Adapter	1		
36	4700791828	Adapter	1		
37	4700791838	Adapter	1		
38	4700791840	Adapter	2		
39	4812114108	Bracket	1		
40	4700904230	Plain washer 10.5x22x2 mm	2		
41	4700500191	Screw M10x14	2		
42	4812122216	Stud	2		
43	4700586018	Lock nut M10	2		

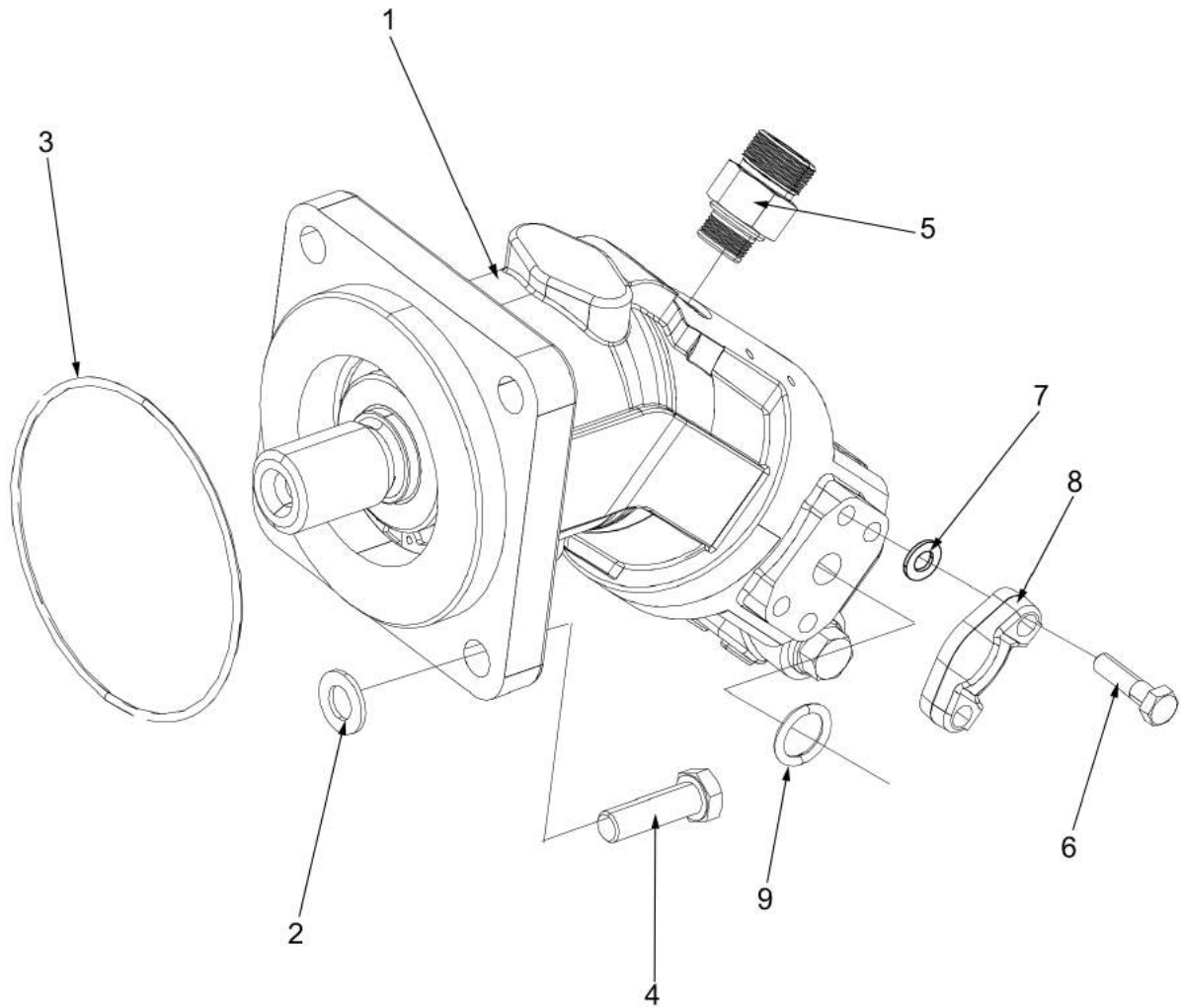
Comments for Page: Hydraulic system, drum Traction control - Dual speed

(L)OCAL REMARKS

A | Vibration

B | Propulsion

This page intentionally left blank

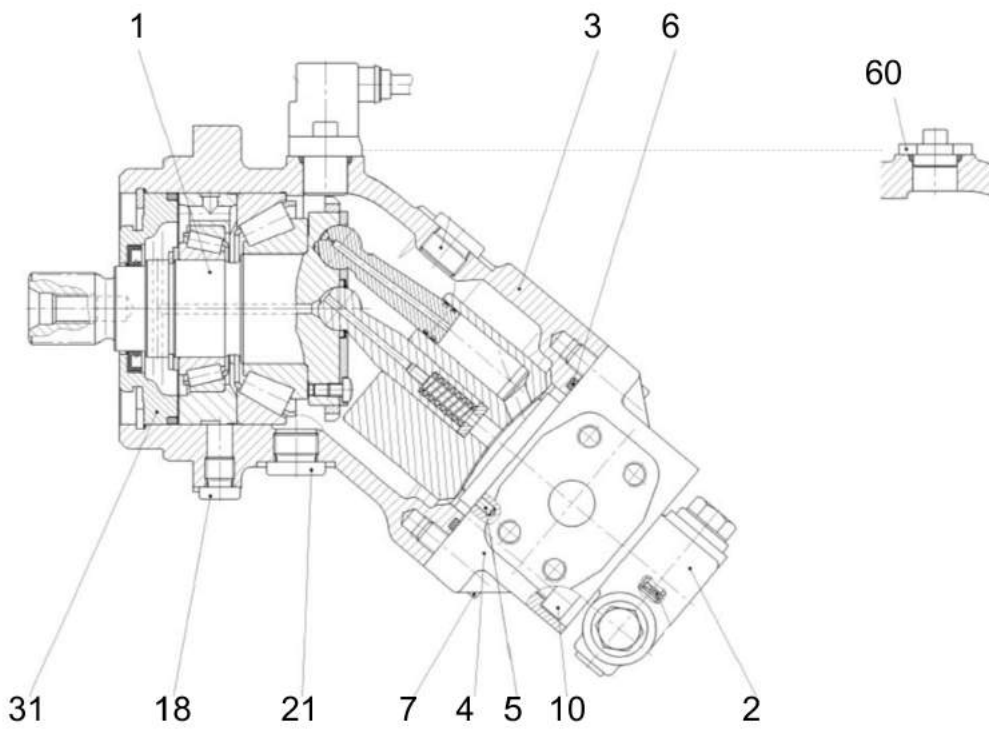
Hydraulic system, drum Traction control - Dual speed Hydraulic motor

Refer to Parts Online for the most up to date information. The printed information might be outdated.

Wed Apr 11 13:33:31 UTC 2018

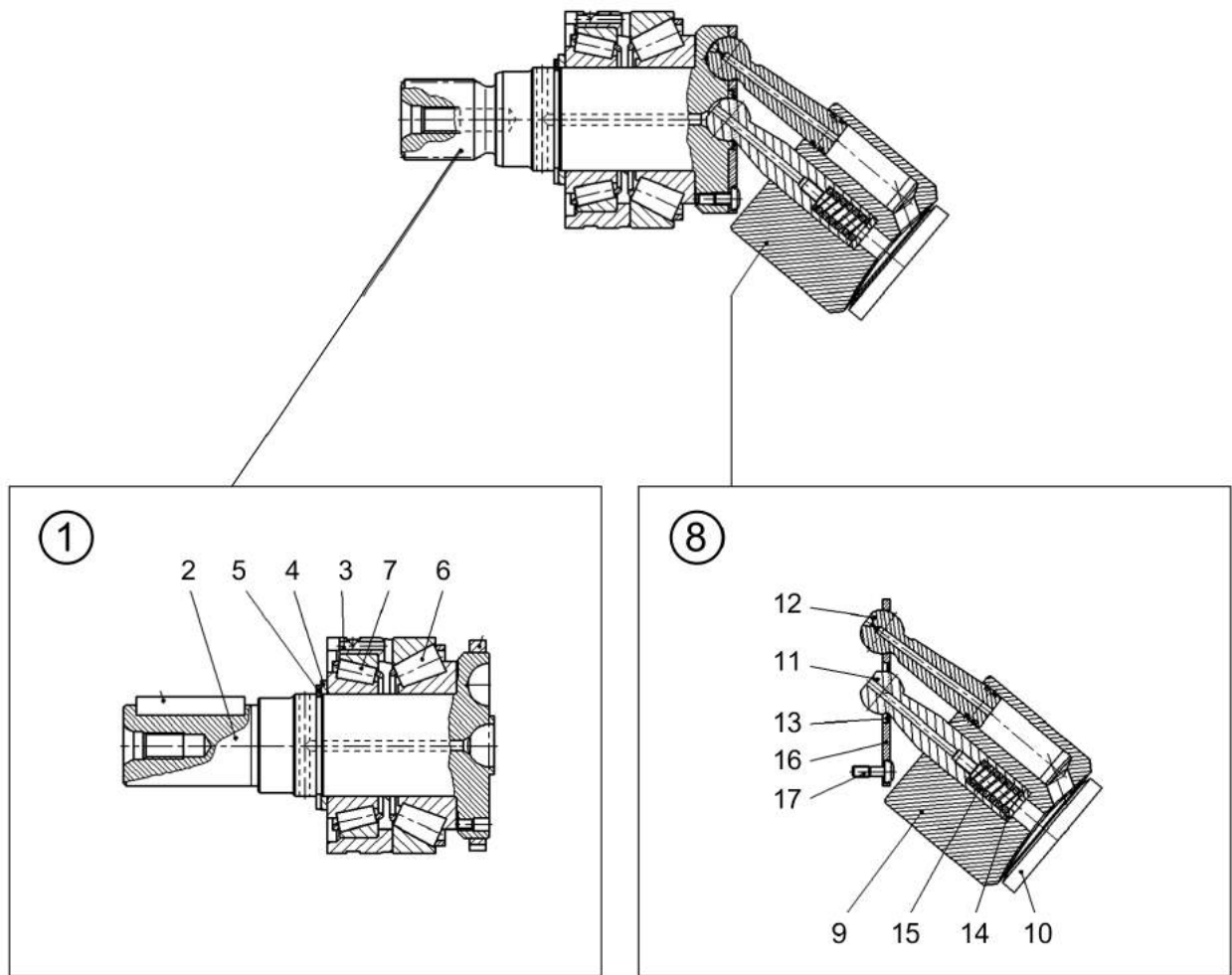
Item	Part No.	Name	Qty	L	SN INFO
1	4812115109	Hydraulic motor	1		
1	-	Seal kit	1		
2	4700904231	Washer, 13x24x2 mm 300 HV	4		
3	4700160132	O-ring 70	1		
4	4700500194	Hexagon head screw w Tuflok M12x40H 8.8 A3K	4		
5	4811000074	Straight connector orfs	1		
6	4700900430	Flange half	4		
7	4700904229	Washer, 8.4x 6x1.5 mm 300HV	8		
8	4700500022	Screw	8		
9	4700904774	O-ring	2		

4812115109 Hydraulic motor 4812115109 Hydraulic motor



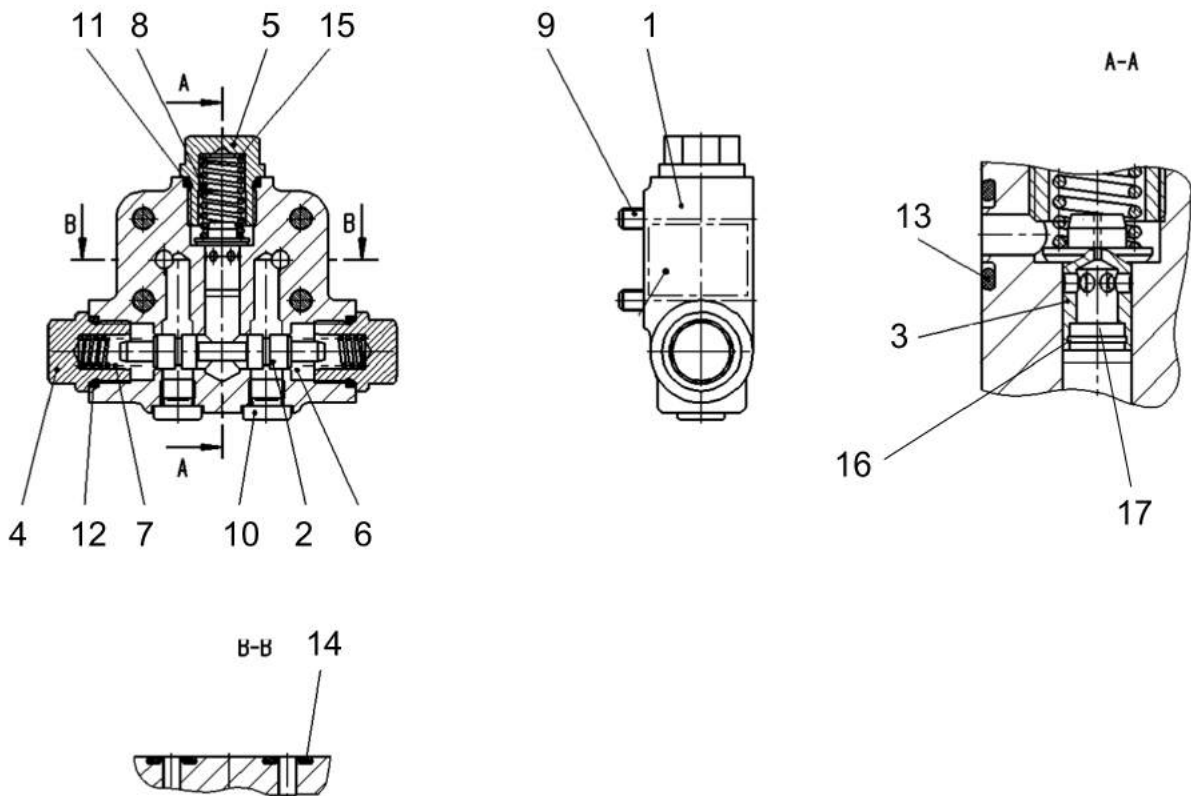
Item	Part No.	Name	Qty	L	SN INFO
1	-	Rotary group	1		
2	-	Flush & Boost pressure valve with orif.	1		
3	-	Housing	1		
4	-	Plate	1		
5	4700903496	Pin	1		
6	4700937258	O-ring	1		
7	4700939173	Screw	2		
10	-	Screw	4		
18	-	Locking screw	1		
21	-	Locking screw	1		
31	4812158766	Cover, cpl	1		
60	-	Flange cover	1		

4812115109 Hydraulic motor Rotary group



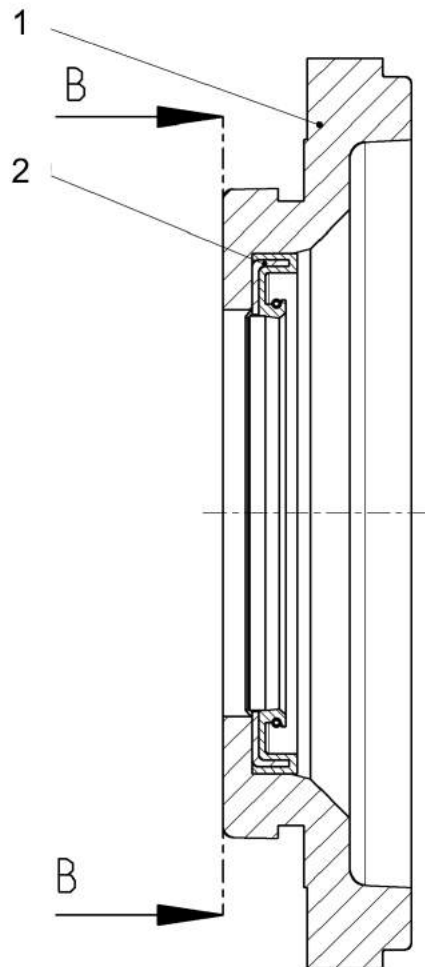
Item	Part No.	Name	Qty	L	SN INFO
1	-	Drive shaft with bearing	1		
2	--	Drive shaft with gear ring	1		
3	4700937260	Bearing ring	1		
4	--	Backup plate	1		
5	4700938042	Retaining ring	1		
6	4700901385	Bearing	1		
7	4700901386	Bearing	1		
8	-	Rotary group, hydraulic section	1		
9	--	Cylinder	1		
10	--	Control plate	1		
11	4700938030	Pin	1		
12	4700939980	Piston with rings	7		
13	--	Washer	1		
14	--	Shim	1		
15	4700938036	Spring	1		
16	4700903495	Retaining plate	1		
17	--	Screw	7		

4812115109 Hydraulic motor Flush & Boost pressure valve with orifice



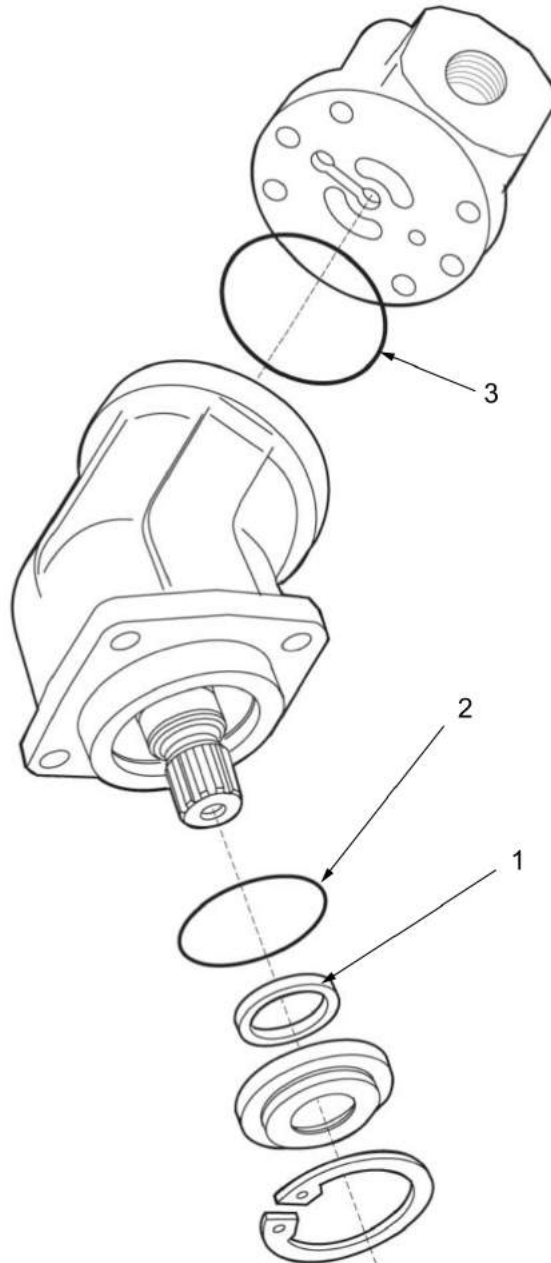
Item	Part No.	Name	Qty	L	SN INFO
1	-	Housing	1		
2	-	Flushing piston	1		
3	-	Valve piston	1		
4	-	Locking screw	2		
5	-	Locking screw	1		
6	-	Gasket	2		
7	-	Compression spring	2		
8	-	Compression spring	1		
9	-	Screw	4		
10	4812160294	Locking screw with o-ring	2		
11	-	O-ring	1		
12	4812157170	O-ring	2		
13	4812157184	O-ring	1		
14	4812157185	O-ring	2		
15	-	Shim	1		
16	-	Retaining ring	1		
17	4812158657	Orifice	1		

4812115109 Hydraulic motor Cover, cpl.



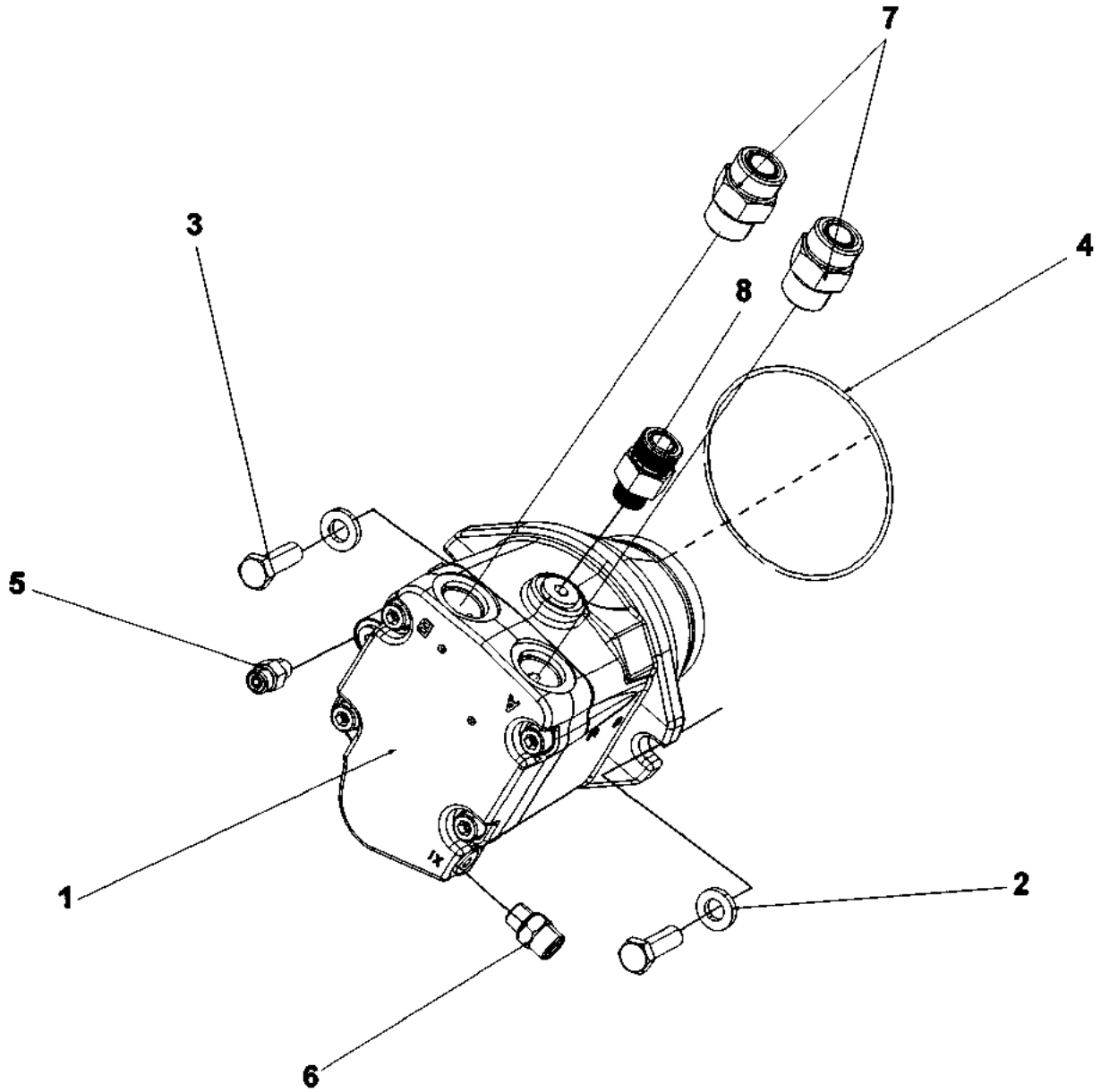
Item	Part No.	Name	Qty	L	SN INFO
1	-	Cover	1		
2	4700937264	Seal ring	1		
3	-	Retaining ring	1		
4	-	O-ring	1		
5	-	Shim	1		

Hydraulic system, drum Traction control - Dual speed 4812161061_Seal kit



Item	Part No.	Name	Qty	L	SN INFO
0	4812161061	Seal kit	1		
1	-	Shaft sealing ring	1		
2	-	O-ring	1		
3	--	O-ring	1		

Hydraulic system, drum Traction control - Dual speed Hydraulic motor

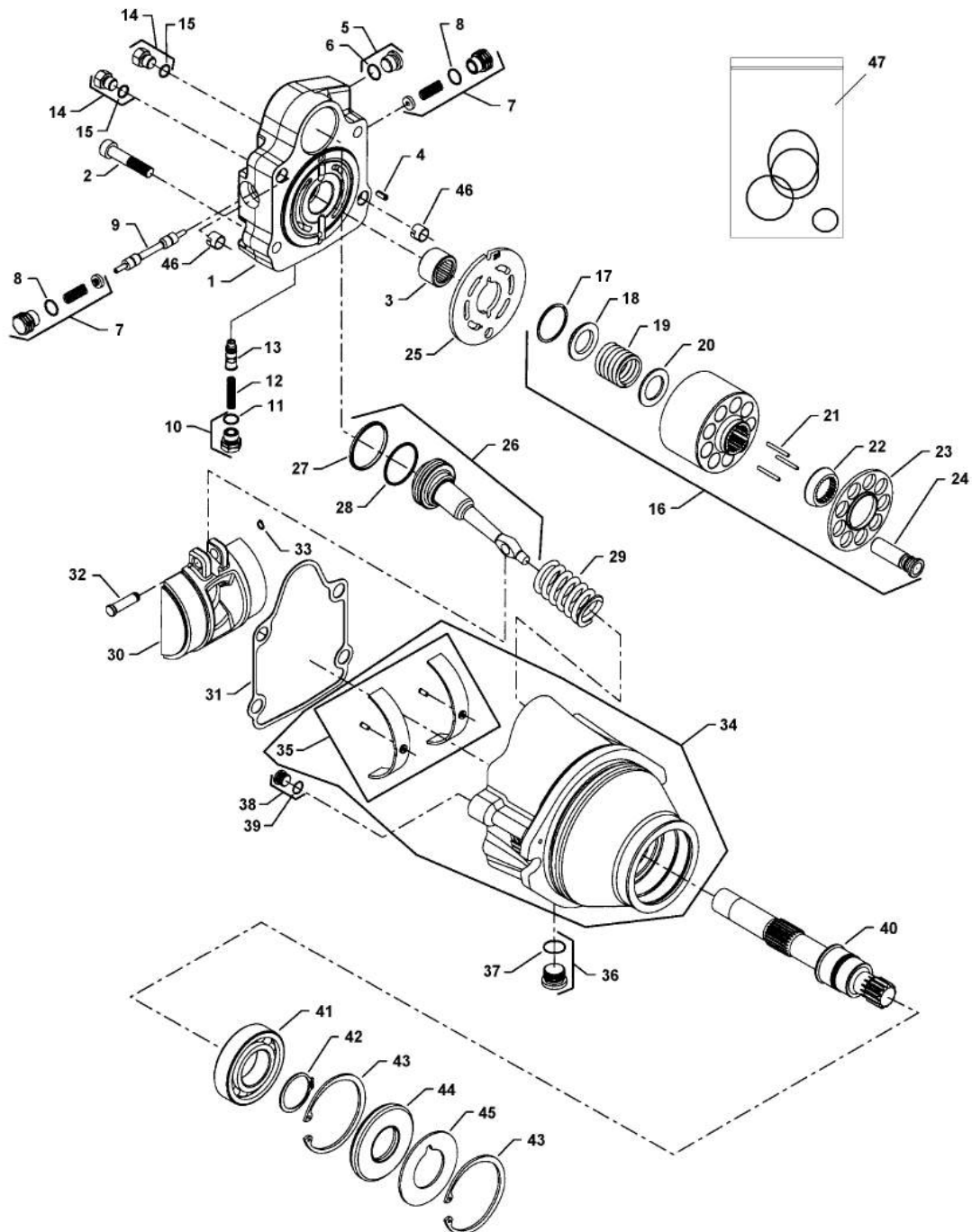


Refer to Parts Online for the most up to date information. The printed information might be outdated.

Wed Apr 11 13:33:33 UTC 2018

Item	Part No.	Name	Qty	L	SN INFO
1	4812116230	Hydraulic motor	1		
2	4700904703	Plain washer 13x24x4 mm	2		
3	4700500037	Hex. screw	2		
4	4700160231	O-ring	1		
5	4700791744	Adapter	1		
6	4700791409	Straight connector orfs	1		
7	4700791823	Adapter	2		
8	4811000074	Straight connector orfs	1		

Hydraulic system, drum Traction control - Dual speed 4812116230 Hydraulic motor



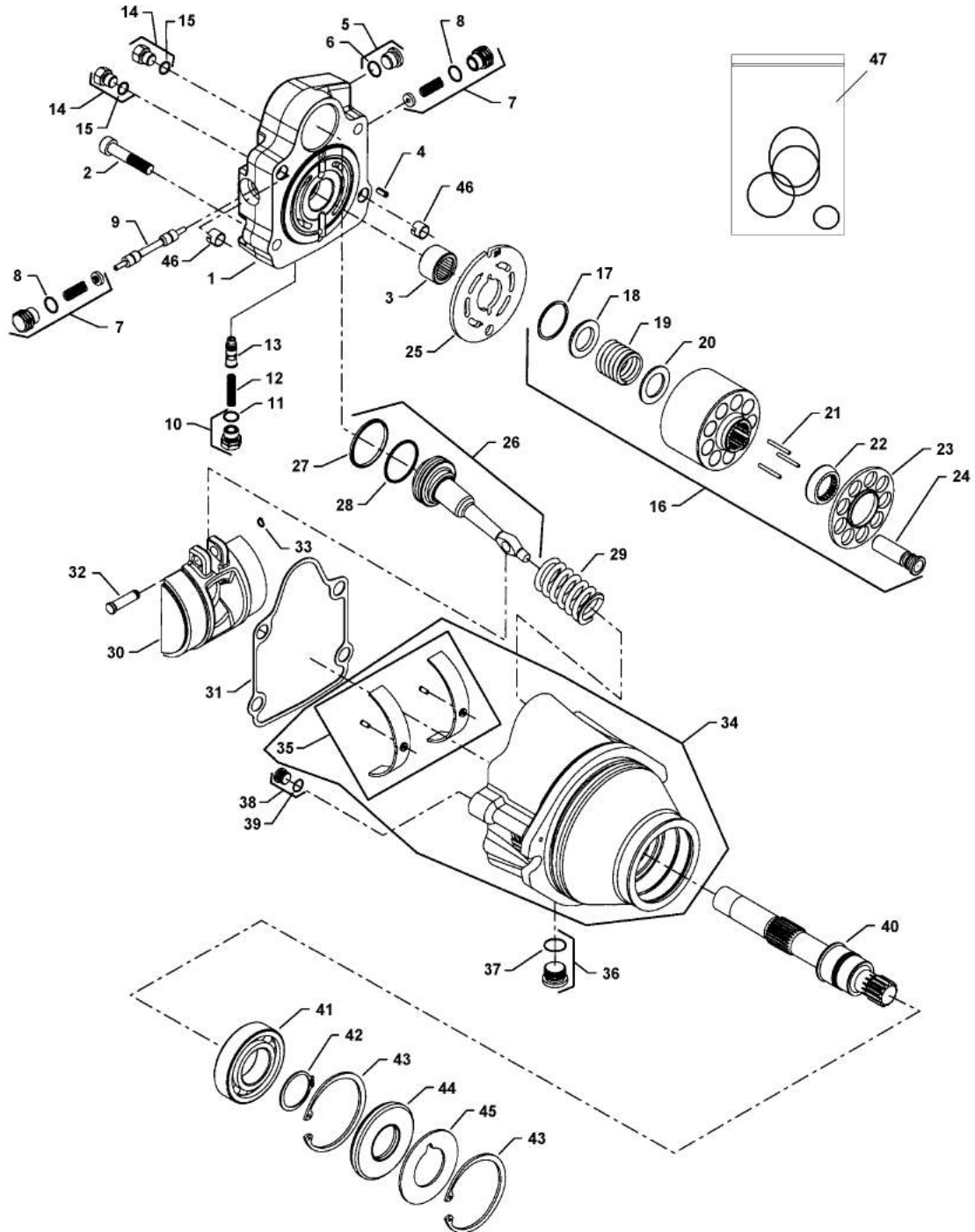
Refer to Parts Online for the most up to date information. The printed information might be outdated.

Wed Apr 11 13:33:34 UTC 2018

Item	Part No.	Name	Qty	L	SN INFO
1	-	End cap, radial ports	1		
2	-	Screw	4		
3	4700909344	Needle roller bearing	1		
4	-	Pin	1		
5	-	Plug	1		
6	--	O-ring	1		
7	-	Loop flushing spring assy	2		
8	--	O-ring	2		
9	-	Spool	1		
10	-	Plug assy	1		
11	--	O-ring	1		
12	-	Lock Nut	1		
13	-	Poppet	1		
14	-	Plug assy	2		
15	--	O-ring	2		
16	-	Cylinder block kit	1		
17	--	Retaining ring	1		
18	--	Spring retainer	1		
19	--	Lock Nut	1		
20	--	Washer	1		
21	--	Slipper hold down pin	3		
22	--	Slipper retainer guide	1		
23	--	Slipper retainer	1		
24	--	Piston assy	9		
25	4812158596	Valve plate	1		
26	-	Servo piston assy	1		
27	4700936556	Seal ring	1	A	
28	4700936555	O-ring	1	A	
29	-	Lock Nut	1		
30	-	Swashplate	1		
31	4812158597	Gasket	1		
32	-	Pin	1		
33	-	Retaining ring	1		
34	-	Housing assy	1		
35	--	Swashplate bearing kit	1		
36	-	Plug	1		
37	4812158653	O-ring	1	A	
38	-	Plug	1		

Refer to Parts Online for the most up to date information. The printed information might be outdated.

Wed Apr 11 13:33:34 UTC 2018



Refer to Parts Online for the most up to date information. The printed information might be outdated.

Wed Apr 11 13:33:35 UTC 2018

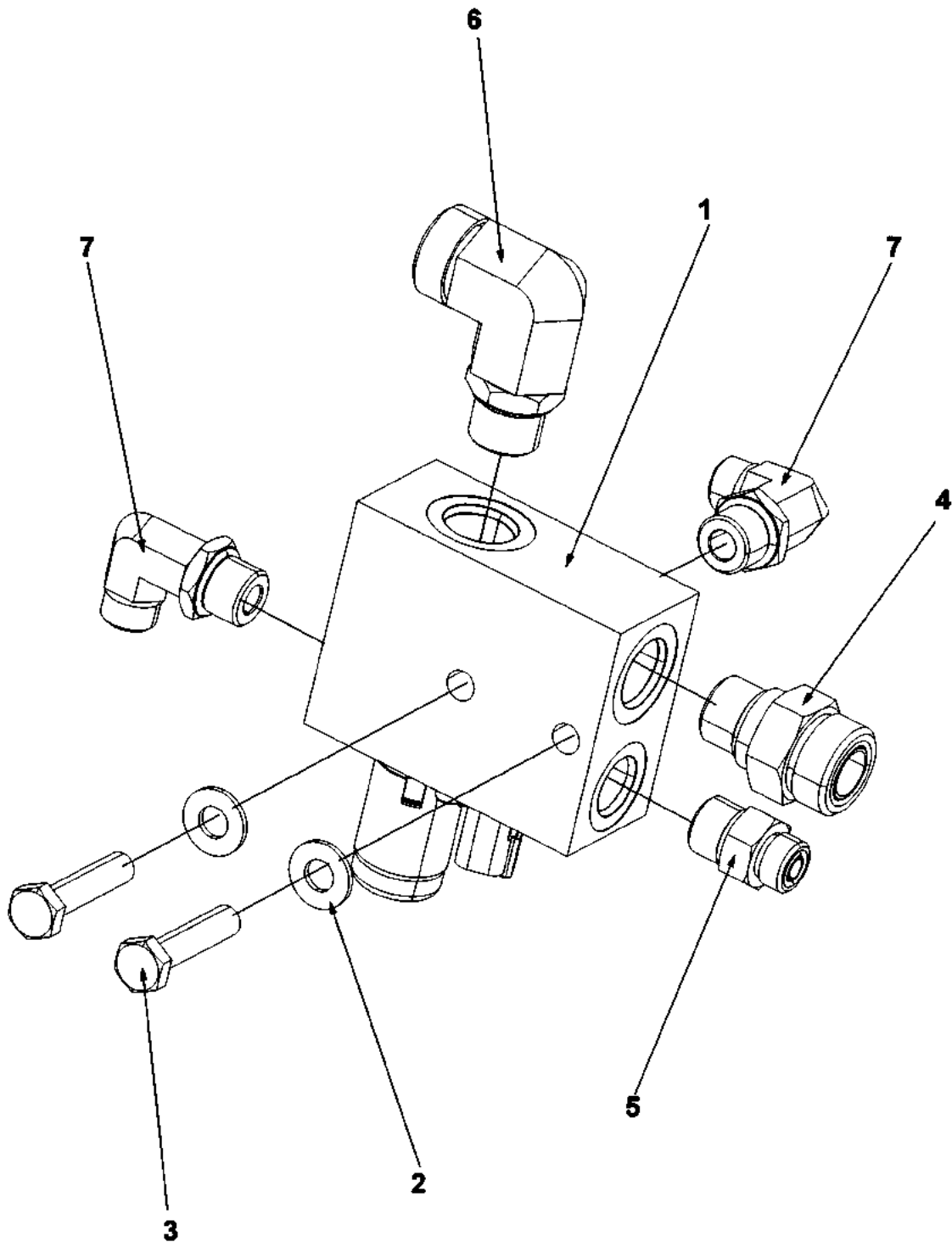
Item	Part No.	Name	Qty	L	SN INFO
39	4700813617	O-ring	1	A	
40	4812158599	Shaft	1		
41	4812158655	Ball bearing	1		
42	4700901727	Snap ring	1		
43	-	Retaining ring	2		
44	4700937061	Lip seal	1	A	
45	-	Seal support washer	1		
46	-	Pin	2		
47	4812158656	Seal kit	1		

Comments for Page: 4812116230 Hydraulic motor

(L)OCAL REMARKS

A | en_US | Included in seal kit.

Hydraulic system, drum Traction control - Dual speed Hydraulic valve module



Refer to Parts Online for the most up to date information. The printed information might be outdated.

Wed Apr 11 13:33:35 UTC 2018

Item	Part No.	Name	Qty	L	SN INFO
1	4812113687	Hydraulic valve	1		
2	4700904230	Plain washer 10.5x22x2 mm	2		
3	4700500161	Screw	2	A	
3	4700500091	Screw	2	B	
4	4700791539	Adapter	1		
5	4700791828	Adapter	1		
6	4700791838	Adapter	1		
7	4700791840	Adapter	2		

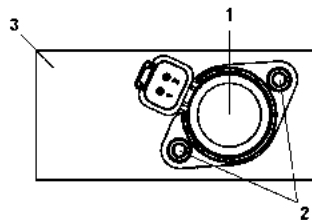
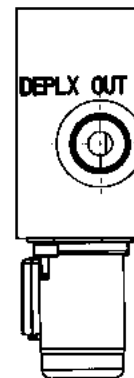
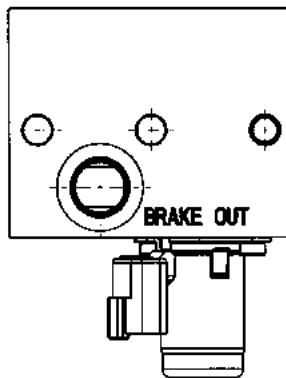
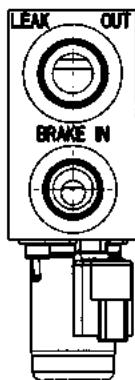
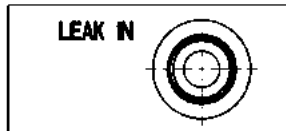
Comments for Page: Hydraulic valve module

(L)OCAL REMARKS

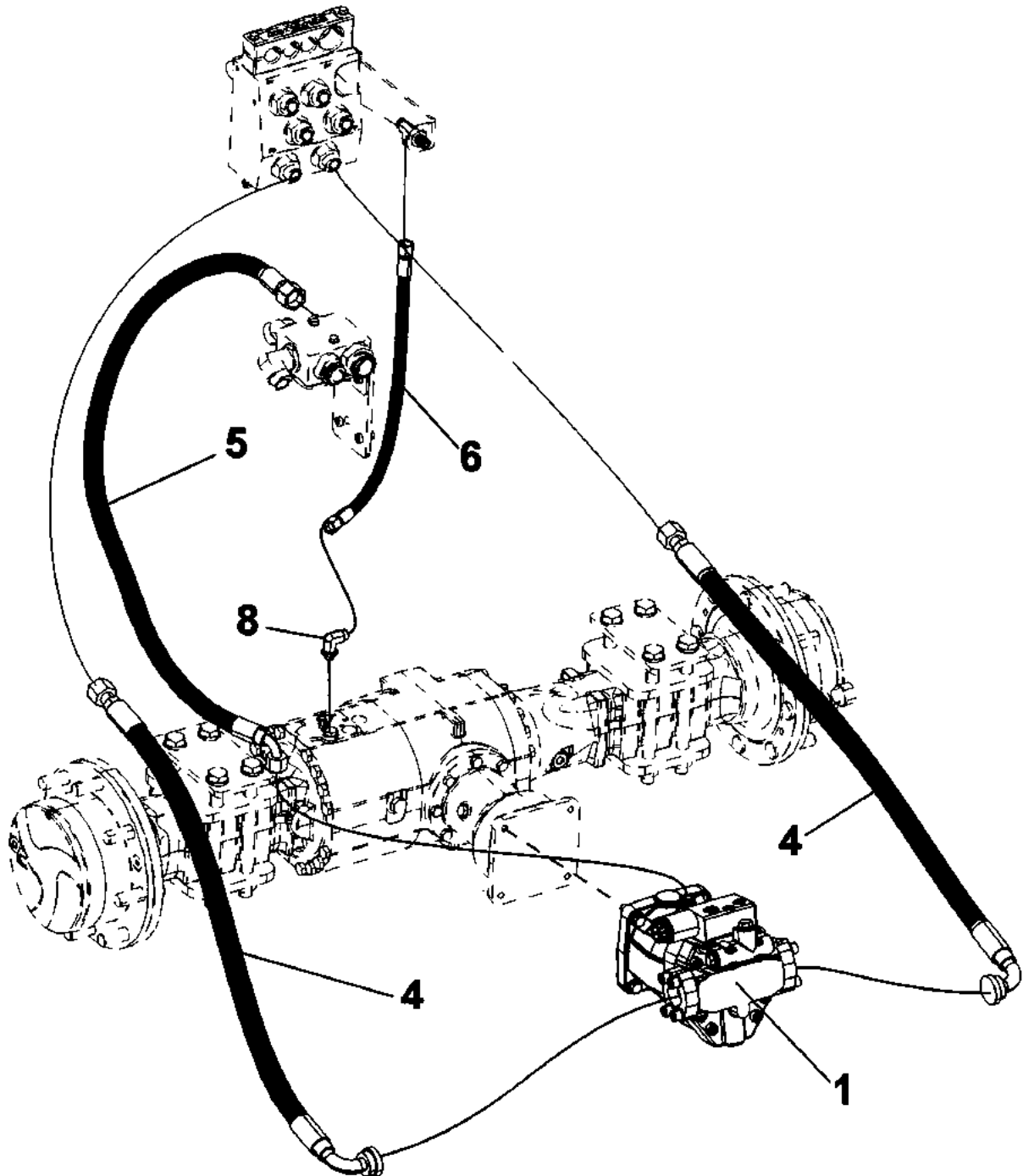
A | en_US | If the valve is mounted on side plate with thickness 35.

B | en_US | If the valve is mounted on side plate with thickness 40.

Hydraulic system, drum Traction control - Dual speed 4812113687 Hydraulic valve



Item	Part No.	Name	Qty	L	SN INFO
1	4812158483	Solenoid valve	1		
2	4812158484	Cap head screw	2		
3	-	Block	1		

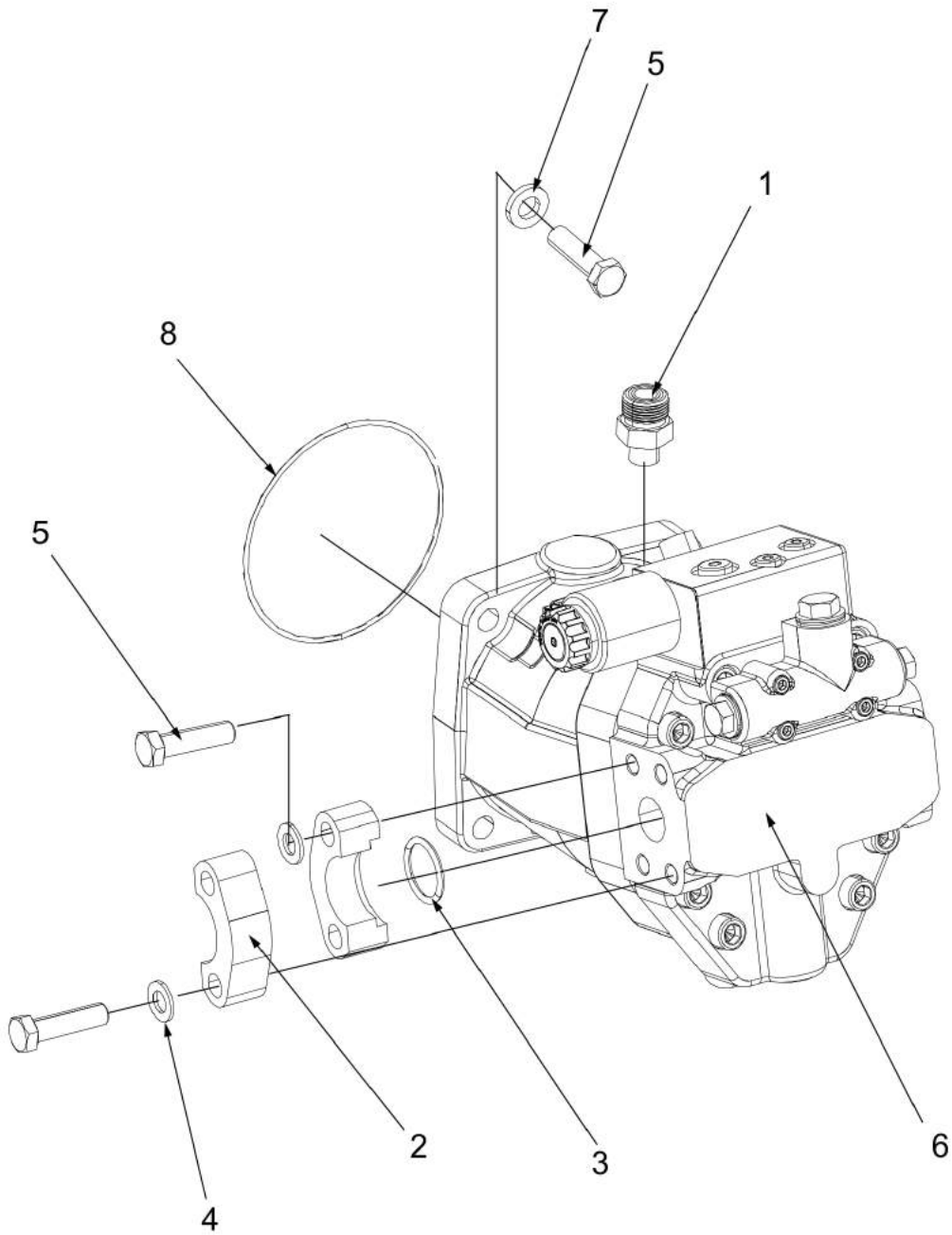
Hydraulic system, rear axle Traction control - limited slip Hydraulic system, rear axle Traction control - limited slip

Refer to Parts Online for the most up to date information. The printed information might be outdated.

Wed Apr 11 13:33:35 UTC 2018

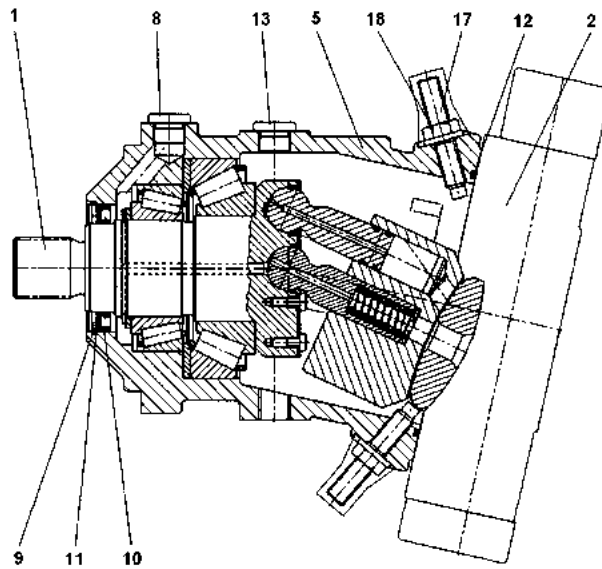
Item	Part No.	Name	Qty	L	SN INFO
1	-	Hydraulic motor	1		
4	4812115303	Hydraulic hose	2		
5	4812115304	Hydraulic hose	1		
6	4812118308	Hydraulic hose	1		
8	4811000086	Elbow 90 orfs	1		

Hydraulic system, rear axle Traction control - limited slip Hydraulic motor



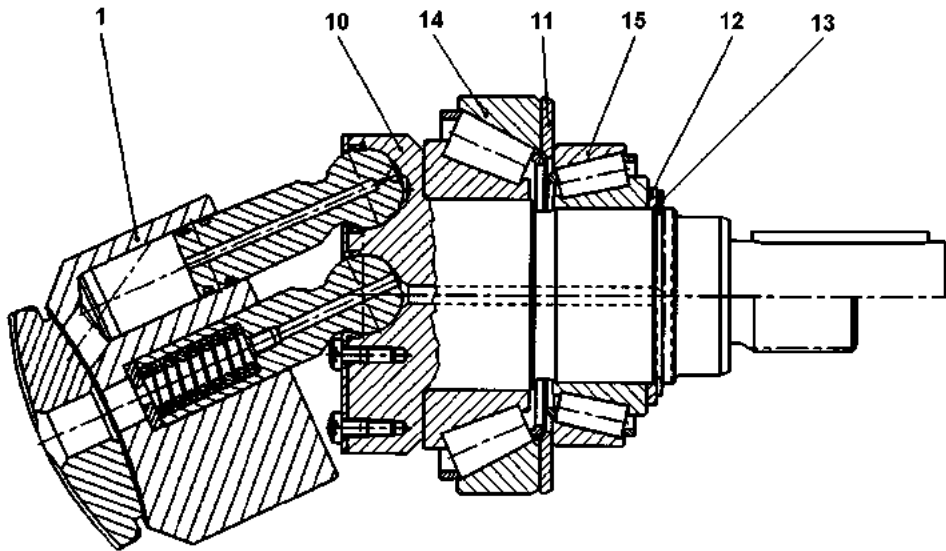
Item	Part No.	Name	Qty	L	SN INFO
1	4700792465	Straight connector orfs	1		
2	4700923384	Split flange	4		
3	4700904005	O-ring	2		
4	4700904638	Washer 12x22x2	8		
5	4700903906	Hexagon head screw m	12		
6	4812112204	Hydraulic motor	1		
7	4700904703	Plain washer 13x24x4 mm	4		
8	4700160157	O-ring	1		

4812112204 Hydraulic motor 4812112204 Hydraulic motor

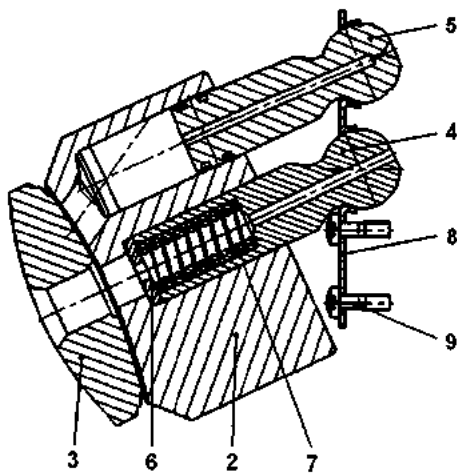


Item	Part No.	Name	Qty	L	SN INFO
1	-	Rotary group	1		
2	-	Control	1		
5	-	Housing	1		
8	-	Locking screw	1		
9	-	Retaining ring	1		
10	4812043666	Shaft seal ring	1		
11	-	Back-up plate	1		
12	4812158752	O-ring	1		
13	-	Locking screw	1		
17	-	Threaded pin	2		
18	-	Sealing nut	2		
98	4812158753	Seal kit, cpl	1		

4812112204 Hydraulic motor Rotary group

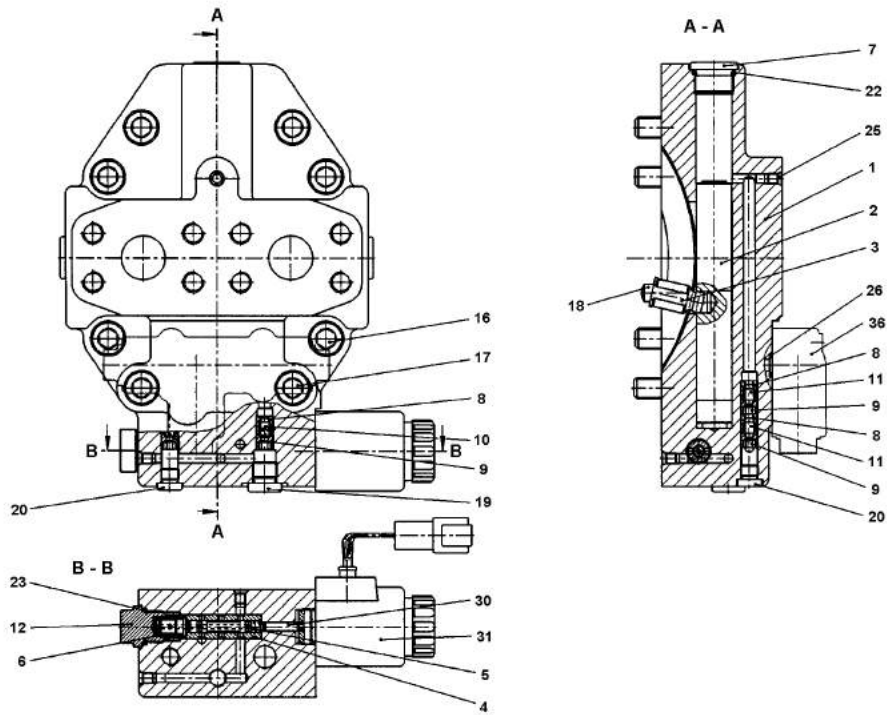


①

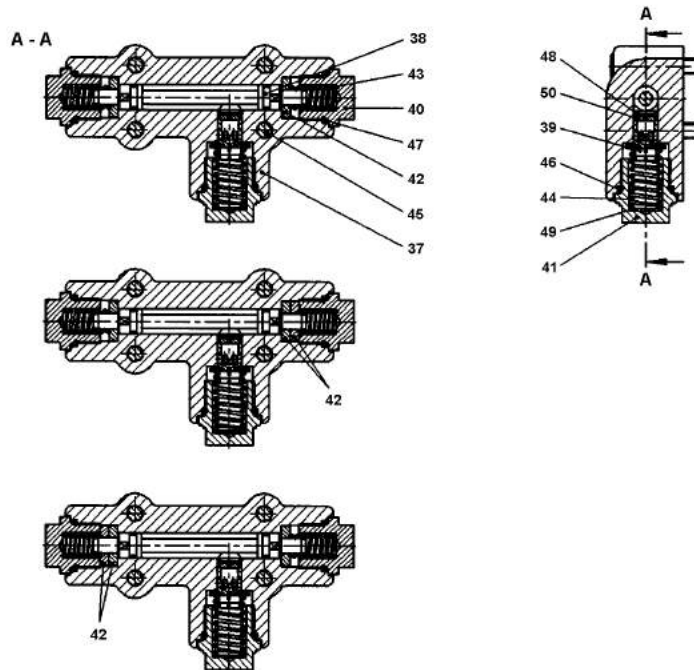


Item	Part No.	Name	Qty	L	SN INFO
1	-	Rotary group, hydraul section	1		
2	-	Cylinder	1		
3	-	Control lens	1		
4	-	Center pin	1		
5	-	Piston with piston rings	7		
6	-	Adjustment shim	1		
7	-	Pressure spring	1		
8	-	Retaining plate	1		
9	-	Pan-head screw	14		
10	-	Drive shaft	1		
11	-	Shim	1		
12	-	Back-up plate	1		
13	-	Retaining ring	1		
14	4812158754	Tapered roller bearing	1		
15	4812158755	Tapered roller bearing	1		

4812112204 Hydraulic motor Control



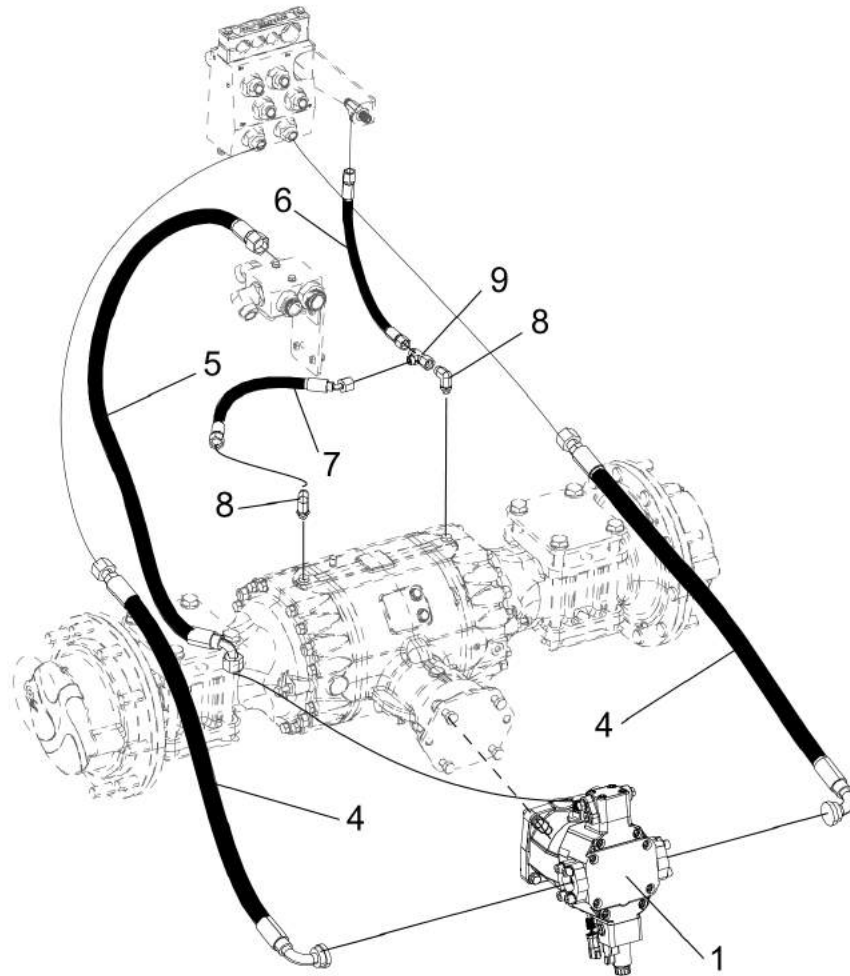
36



Item	Part No.	Name	Qty	L	SN INFO
1	-	Port plate	1		
2	-	Positioning piston	1		
3	-	Positioning trunnion	1		
4	-	Control bush	1		
5	-	Control piston	1		
6	-	Pressure spring	1		
7	-	Locking screw	1		
8	-	Throttle screw	3		
9	-	Throttle screw	3		
10	-	Valve pin	2		
11	-	Throttle pin	1		
12	-	Locking screw	1		
16	-	Socket head screw	6		
17	-	Socket head screw	2		
18	-	Cylinder pin	2		
19	-	Locking screw	1		
20	-	Locking screw	2		
22	4812157169	O-ring	1		
23	4812157170	O-ring	1		
25	-	Double break-off plug	4		
26	4812158756	O-ring	3		
30	-	Needle roller	1		
31	4812036305	Solenoid valve	1		
36	4812158757	Flush and boost pressure valve	1		
37	--	Flushing valve housing	1		
38	--	Flushing piston	1		
39	--	Valve piston	1		
40	--	Locking screw	2		
41	--	Locking screw	1		
42	--	Washer	2		
43	--	Pressure spring	2		
44	--	Pressure spring	1		
45	--	Socket head screw	4		
46	4812157460	O-ring	1		
47	4812157170	O-ring	2		
48	--	Retaining ring	1		
49	--	Shim	1		
50	--	Orifice	1		

Refer to Parts Online for the most up to date information. The printed information might be outdated.

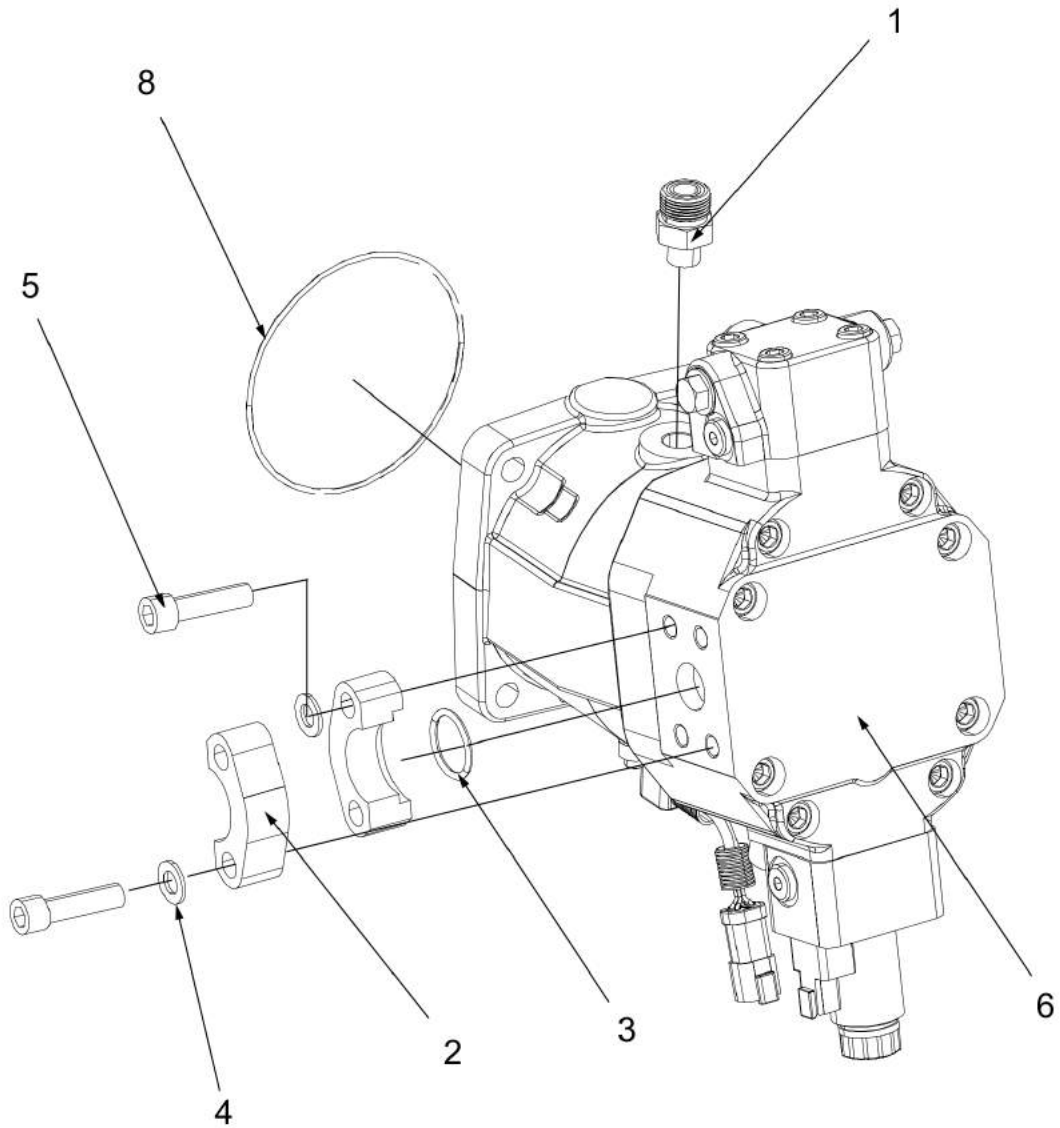
Wed Apr 11 13:33:36 UTC 2018

Hydraulic system, rear axle Anti-Spin system Hydraulic system, rear axle Anti-Spin system

Refer to Parts Online for the most up to date information. The printed information might be outdated.

Wed Apr 11 13:33:37 UTC 2018

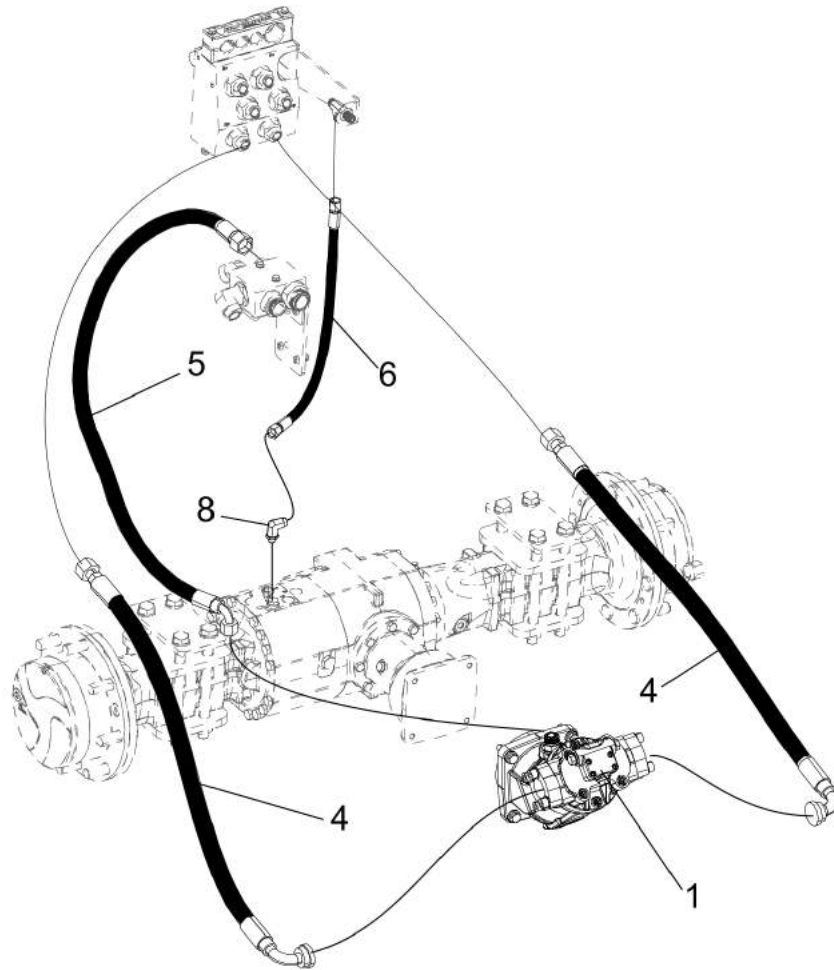
Item	Part No.	Name	Qty	L	SN INFO
1	-	Hydraulic motor	1		
4	4812127133	Hydraulic hose	2		
5	4812115316	Hydraulic hose	1		
6	4812115305	Hydraulic hose	1		
7	4811000229	Hydraulic hose	1		
8	4811000086	Elbow 90 orfs	2		
9	4700791414	T-connection, O-ring with swivel	1		

Hydraulic system, rear axle Anti-Spin system Hydraulic motor

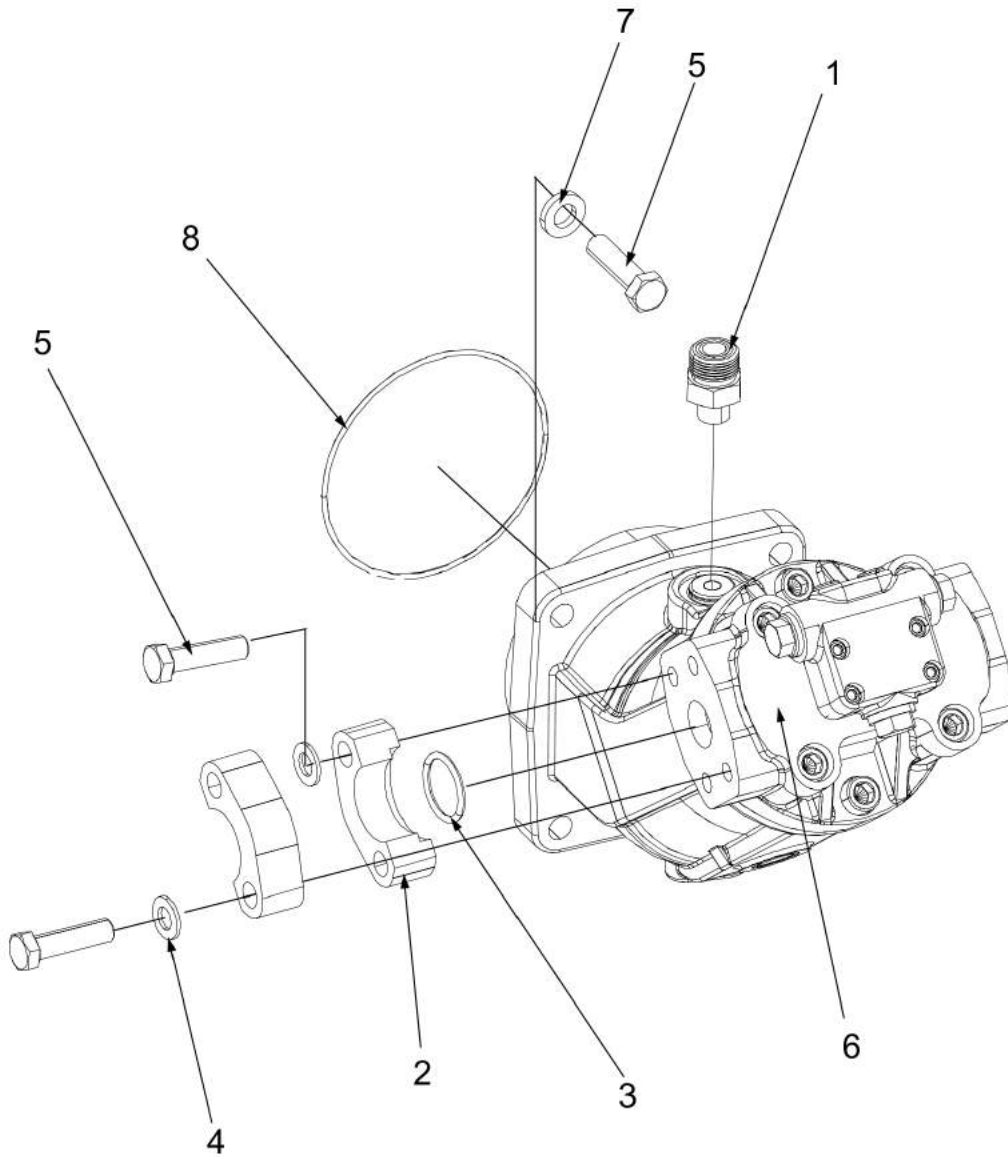
Refer to Parts Online for the most up to date information. The printed information might be outdated.

Wed Apr 11 13:33:37 UTC 2018

Item	Part No.	Name	Qty	L	SN INFO
1	4700792465	Straight connector orfs	1		
2	4700923384	Split flange	4		
3	4700904005	O-ring	2		
4	4700904638	Washer 12x22x2	8		
5	4700928791	Screw, M12x45	8		
6	4812112206	Hydraulic motor	1		
8	4700160157	O-ring	1		

Hydraulic system, rear axle Dual speed Hydraulic system, rear axle Dual speed

Item	Part No.	Name	Qty	L	SN INFO
1	-	Hydraulic motor	1		
4	4812127132	Hydraulic hose	2		
5	4812115304	Hydraulic hose	1		
6	4812118308	Hydraulic hose	1		
8	4811000086	Elbow 90 orfs	1		

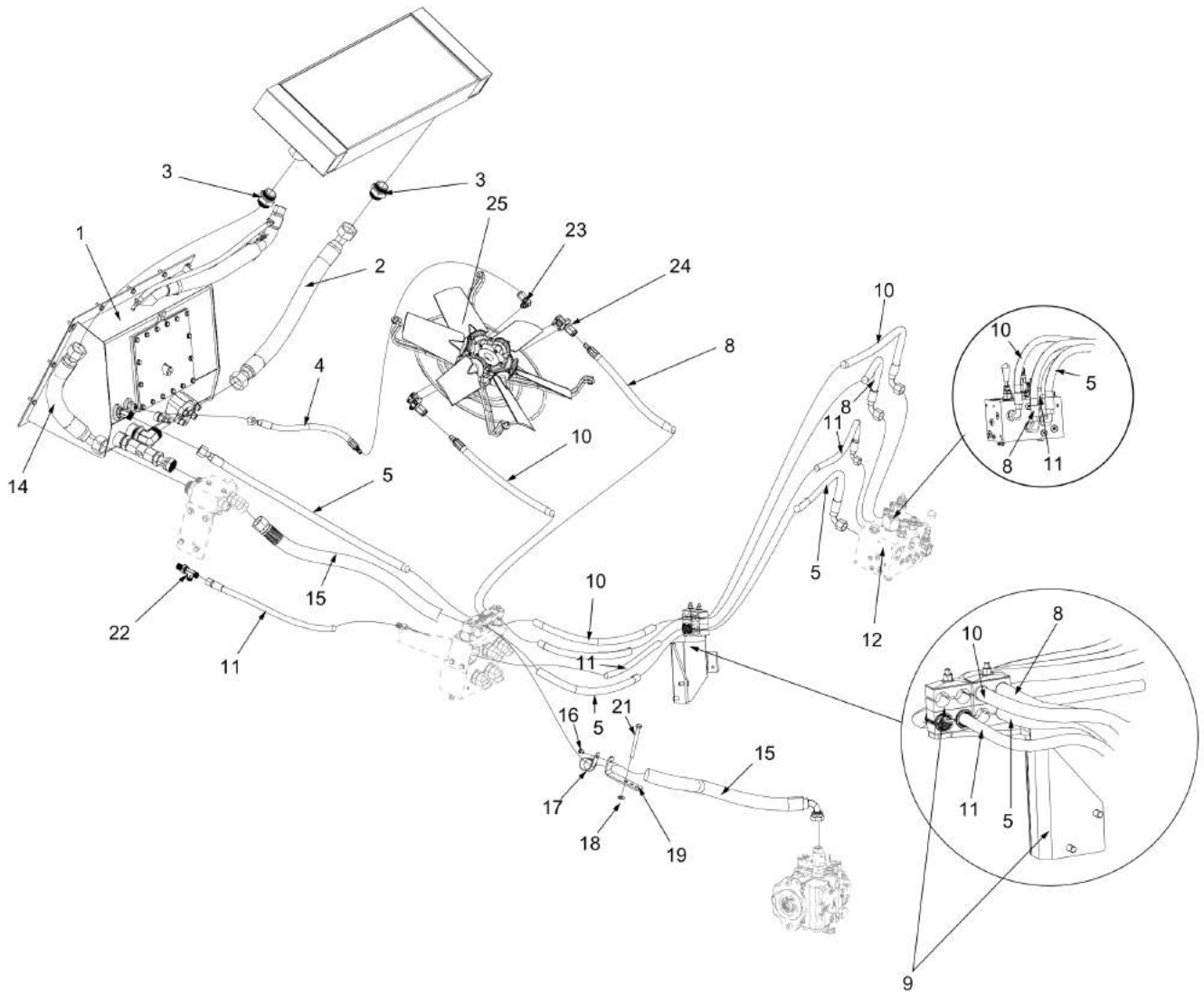
Hydraulic system, rear axle Dual speed Hydraulic motor

Refer to Parts Online for the most up to date information. The printed information might be outdated.

Wed Apr 11 13:33:38 UTC 2018

Item	Part No.	Name	Qty	L	SN INFO
1	4700792465	Straight connector orfs	1		
2	4700923384	Split flange	4		
3	4700904005	O-ring	2		
4	4700904638	Washer 12x22x2	8		
5	4700903906	Hexagon head screw m	12		
6	4812112203	Hydraulic motor	1		
7	4700904703	Plain washer 13x24x4 mm	4		
8	4700160157	O-ring	1		

Hydraulic system, oil tank Hydraulic system, oil tank

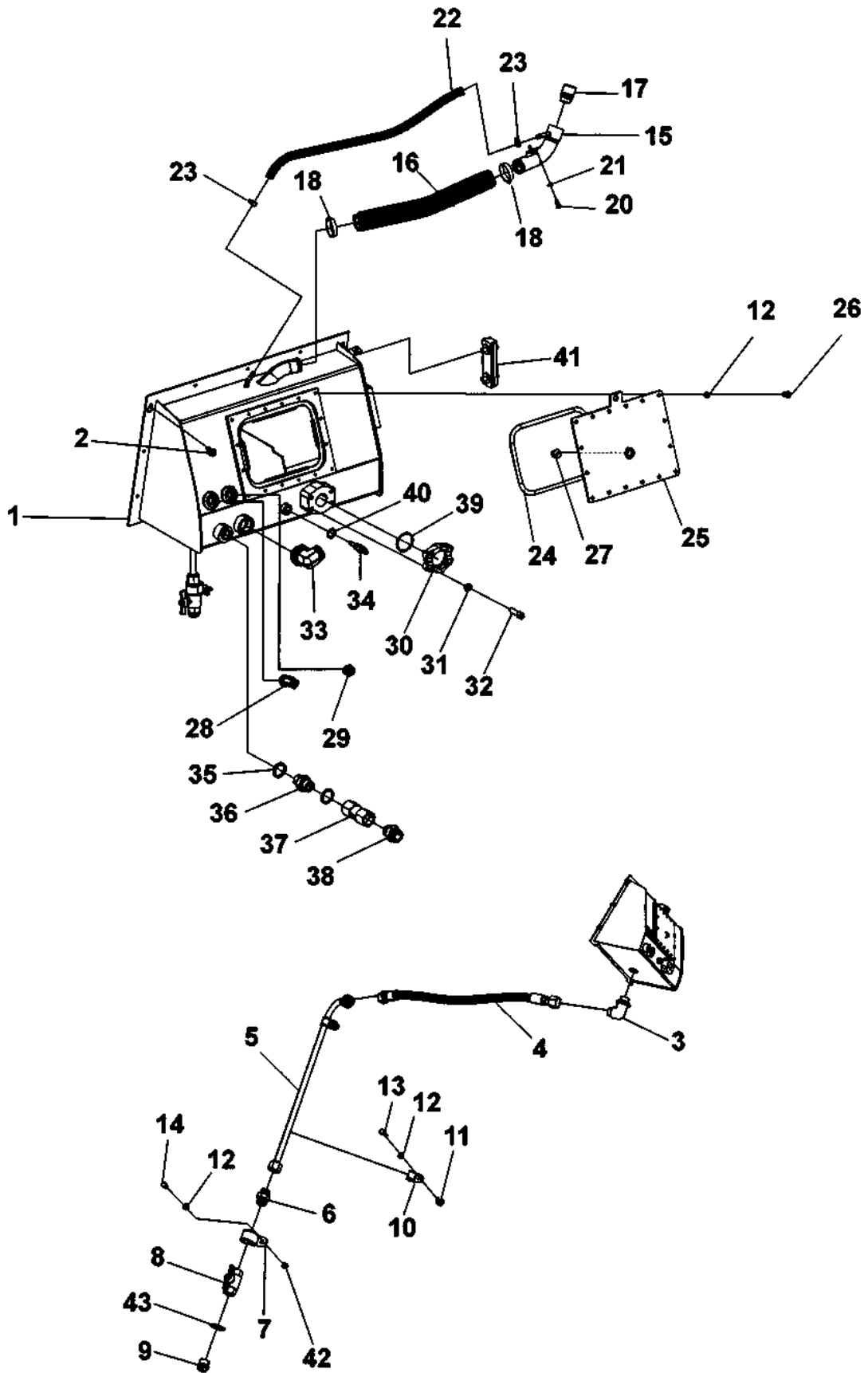


Refer to Parts Online for the most up to date information. The printed information might be outdated.

Wed Apr 11 13:33:38 UTC 2018

Item	Part No.	Name	Qty	L	SN INFO
1	-	Hydraulic oil tank assembly	1		
2	4812115352	Hydraulic hose	1		
3	4812112555	Adapter	2		
4	4812117478	Hydraulic hose	1		
5	4812115357	Hydraulic hose	1		
8	4812117480	Hydraulic hose	1		
9	-	Hose holder	1		
10	4812117479	Hydraulic hose	1		
11	4812115358	Hydraulic hose	1		
12	-	Hydraulic valve module			
14	4812115353	Hydraulic hose	1		
15	4812115086	Hydraulic hose	1		
16	4700500042	Hex. head screw M8	1		
17	4700923008	Clamp	1		
18	4700904557	Washer, 10.5x22x4 mm 300 HV	1		
19	4812118684	Bracket	1		
21	4700792408	Screw	1		
22	4812114492	Bulkhead union	1		
23	4812117434	Connector uptc	1		
24	4812117676	Connector uptc	2		
25	-	Fan module			

Hydraulic system, oil tank Hydraulic oil tank assembly



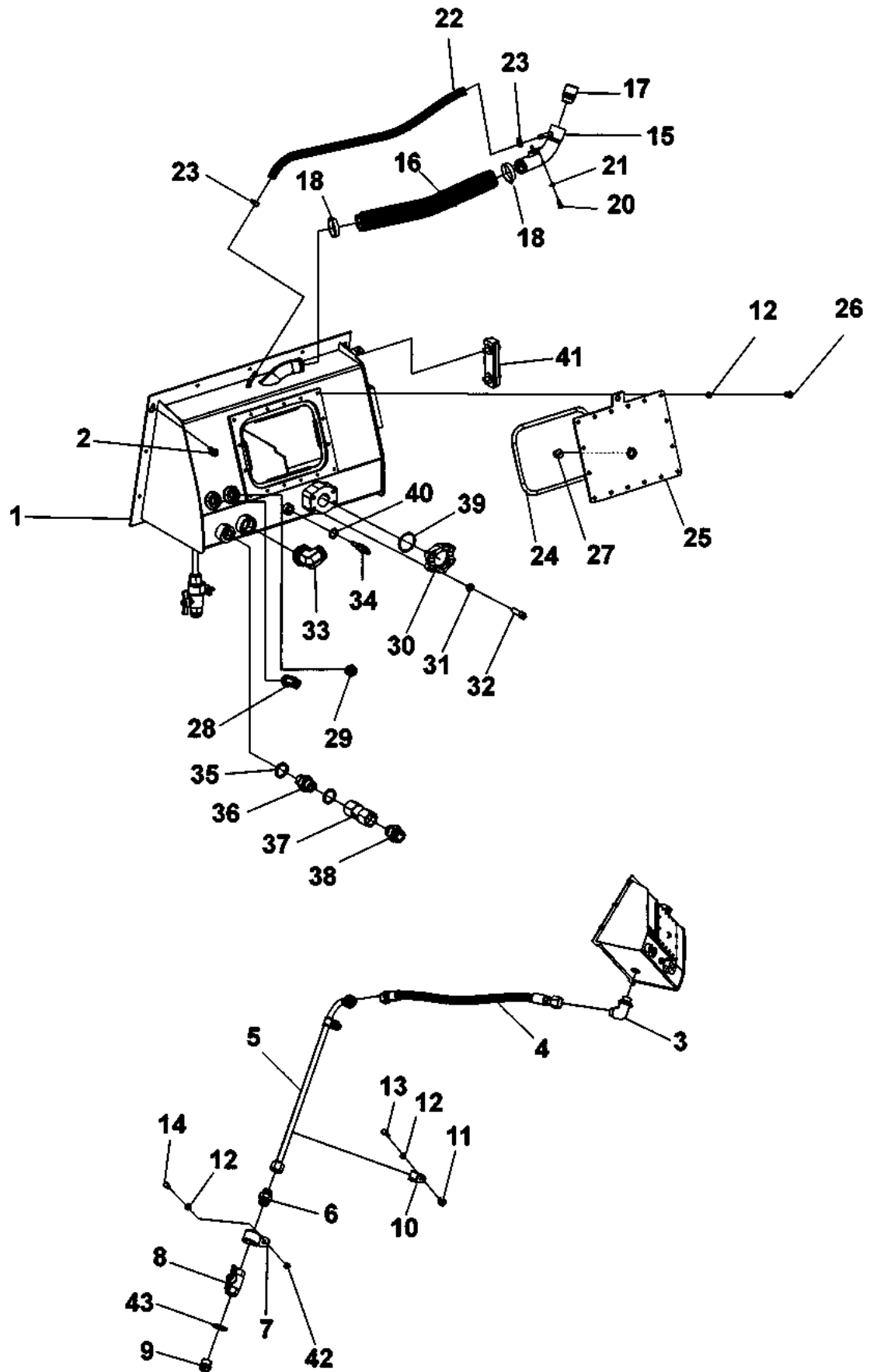
Refer to Parts Online for the most up to date information. The printed information might be outdated.

Wed Apr 11 13:33:38 UTC 2018

Item	Part No.	Name	Qty	L	SN INFO
1	4812118960	Hydraulic oil tank, cpl	1	A	
2	4700500505	Screw, M8x20 mm 8.8 A2K	9		
3	4700792068	Elbow 90°	1		
4	4811000202	Hydraulic hose	1		
5	4812114205	Hydraulic pipe	1		
6	0570702503	Straight connector	1		
7	4700923008	Clamp	1		
8	4700233304	Ball valve	1		
9	4700232039	Steel plug threaded	1		
10	4700904346	Clamp	2		
11	4700343748	Spacer sleeve	2		
12	4700904229	Washer, 8.4x 6x1.5 mm 300HV	19	D	
13	4700500022	Screw	2		
14	4700500053	Screw, M8x20 mm 8.8 A2K	1		
15	4812112648	Pipe assembly	1		
16	4812116645	Rubber hose	1		
17	4700357138	Ventilating filter	1		
18	4700313009	Hose clamp	2		
20	4700500013	Screw, M6x16 mm 8.8 A2K	2		
21	4700904228	Washer 6,4x12x1,5	2		
22	4700904985	Fuel hose, fire-resistant	1XL	B	
23	4700313001	Hose clamp, 11-18 x 9 mm	2		
24	4700390926	O-ring	1	C	
25	4812118961	Cover	1	C	
26	4700500019	Hexagon screw	16	C	
27	4700792295	Steel plug	1	C	
28	4700792809	Elbow 90 orfs	1		
29	4700791405	Straight o-ring connector	1		
30	4700232118	Flange	2		
31	4700904638	Washer 12x22x2	4		
32	4700508063	Screw, M12x40 mm 8.8	4		
33	4812112556	Connector elbow 90 orfs	1		
34	4700792276	Temperature sensor	1		
35	4700162008	Seal washer	2		
36	4700792264	Straight connector	1		
37	4700374059	Check valve	1		
38	4700792338	Adapter	1		
39	4700160191	O-ring	1		

Refer to Parts Online for the most up to date information. The printed information might be outdated.

Wed Apr 11 13:33:38 UTC 2018



Refer to Parts Online for the most up to date information. The printed information might be outdated.

Wed Apr 11 13:33:38 UTC 2018

Item	Part No.	Name	Qty	L	SN INFO
40	4700330331	Washer 18,2x23,9x1,5	1		
41	4700989151	Oil level glass	1		
42	4700904556	Steel plain washer 8,4x16x3,0	1		
43	4700791120	Washer sealing	1		

Comments for Page: Hydraulic oil tank assembly

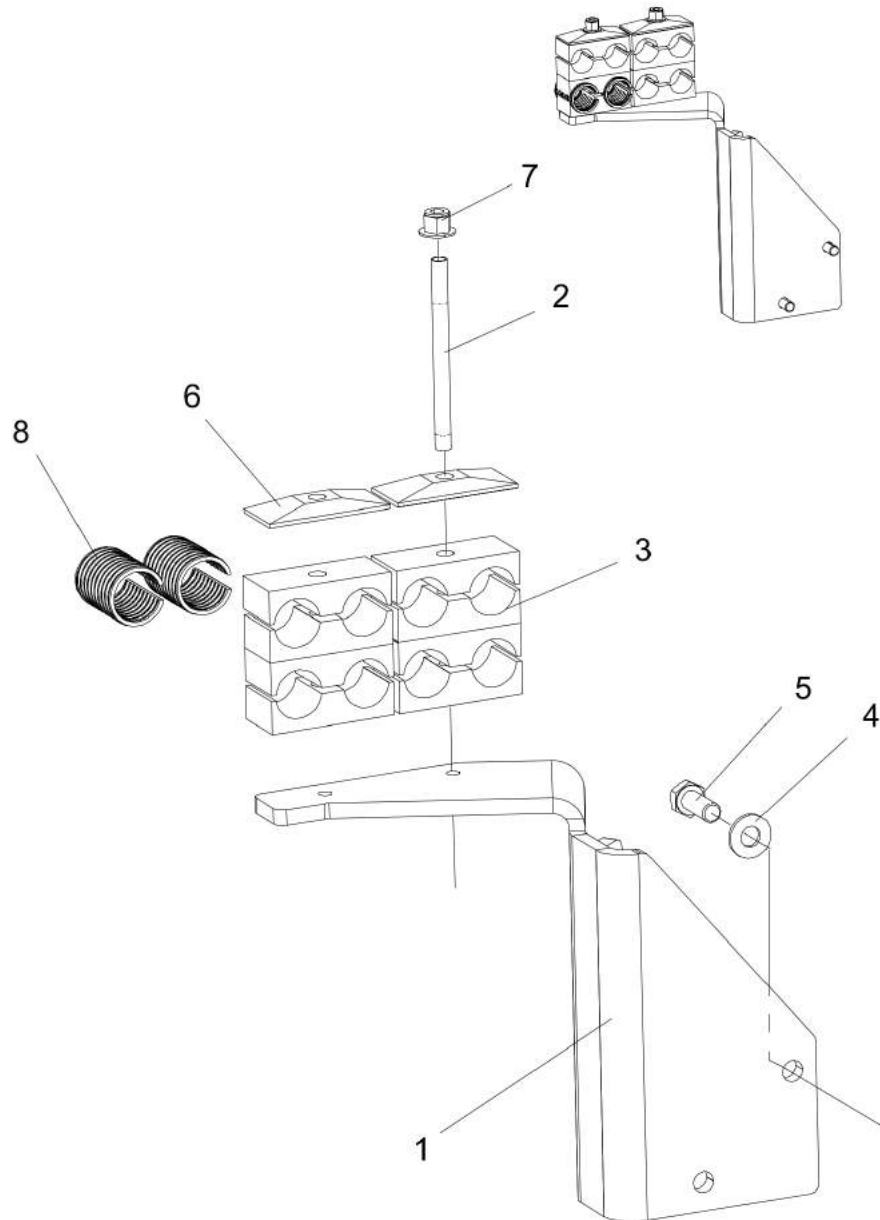
(L)OCAL REMARKS

A | en_US | Includes item 24, 25, 26, 27 and 12 (16 pcs).

B | en_US | L=0.68m

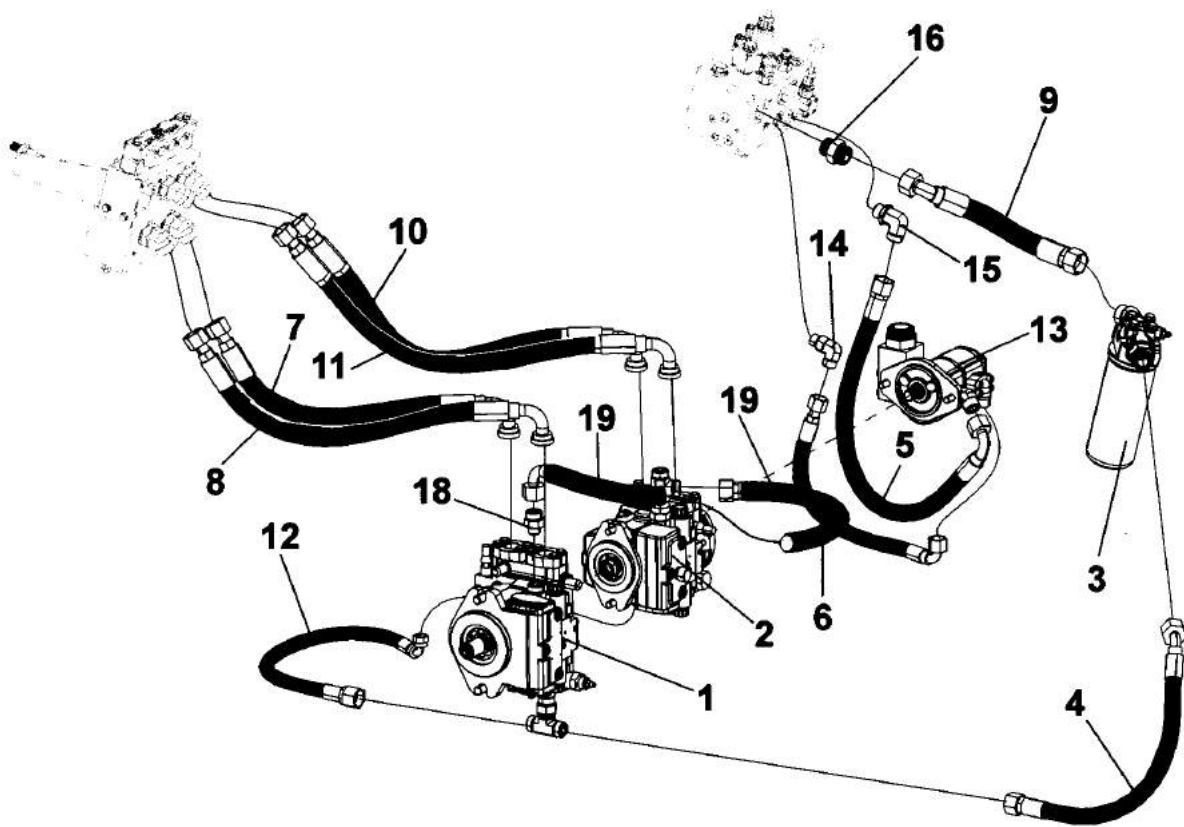
C | en_US | Part of item 1.

D | en_US | 16 pcs part of item 1.

Hydraulic system, oil tank Hose holder

Item	Part No.	Name	Qty	L	SN INFO
1	4812118685	Bracket	1		
2	4700791807	Stud	2		
3	4700287295	Clamp	4		
4	4700904230	Plain washer 10.5x22x2 mm	2		
5	4700500028	Screw, M10 x 25 mm 8.8 A3K	2		
6	4700904872	Cover plate	2		
7	4700902286	Lock nut, M8x1.25 mm A2K	2		
8	4812113941	Hose holder clip	2		

Hydraulic system, engine room Hydraulic system, engine room



Refer to Parts Online for the most up to date information. The printed information might be outdated.

Wed Apr 11 13:33:39 UTC 2018

Item	Part No.	Name	Qty	L	SN INFO
1	4812112169	Hydraulic pump, propulsion	1	A	
2	4812112172	Hydraulic pump, vibration	1	B	
3	-	Hydraulic oil filter assy	1		
4	4812115366	Hydraulic hose	1		
5	4812117781	Hydraulic hose	1		
6	4812117782	Hydraulic hose	1		
7	4812127130	Hydraulic hose	1	C	
8	4812127131	Hydraulic hose	1	D	
9	4812117787	Hydraulic hose	1		
10	4812127124	Hydraulic hose	1	E	
11	4812127125	Hydraulic hose	1	F	
12	4812120132	Hydraulic hose	1		
13	-	Hydraulic pump module	1		
14	4700791843	Elbow 90, O-ring with swivel	1		
15	4700791231	Adapter	1		
16	4700792339	Adapter	1		
18	4700792336	Straight connector orfs	1		
19	4812120135	Hydraulic hose	1		

Comments for Page: Hydraulic system, engine room

(L)OCAL REMARKS

A | en_US | Propulsion pump

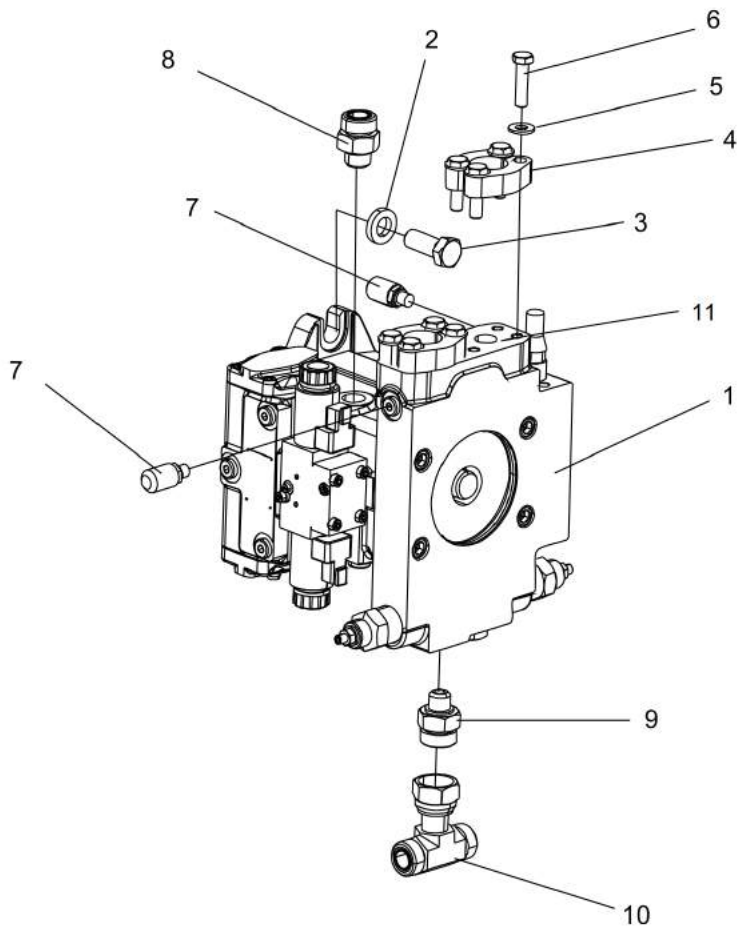
B | en_US | Vibration pump

C | en_US | Port AO

D | en_US | Port BP

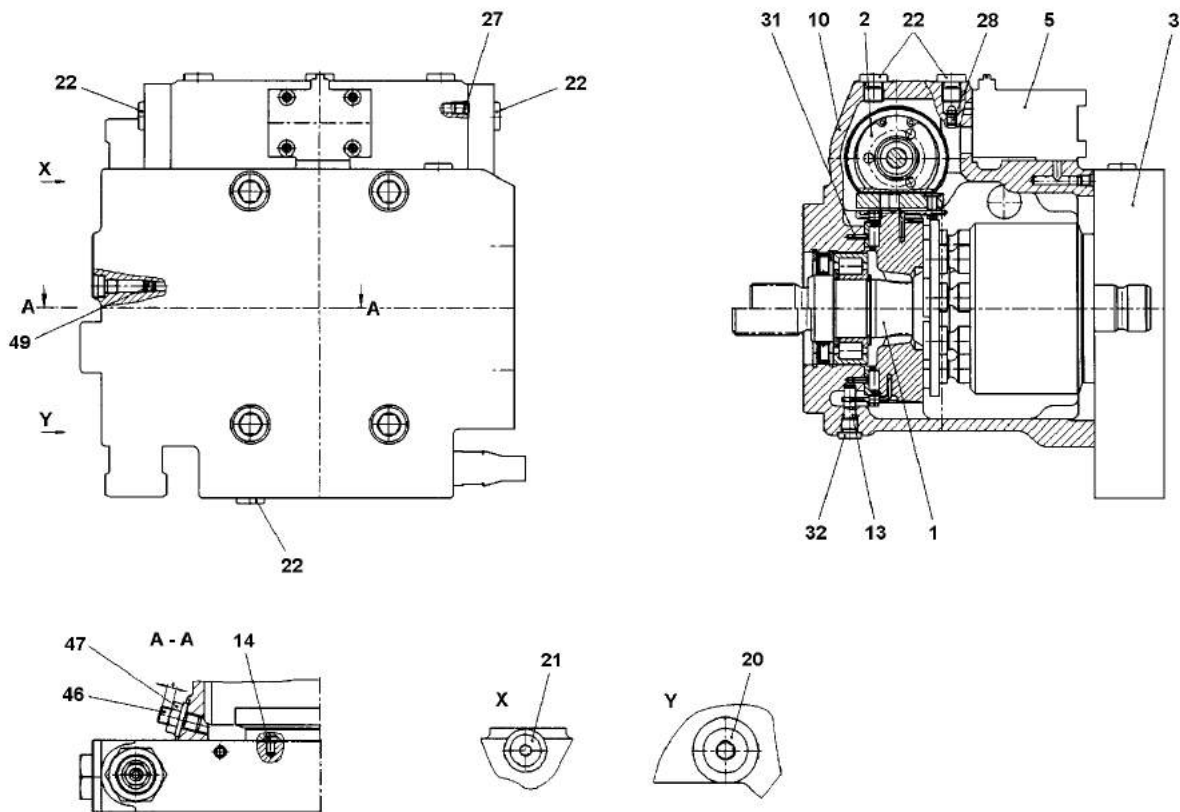
E | en_US | Port BV

F | en_US | Port AV

Hydraulic system, engine room Hydraulic pump module

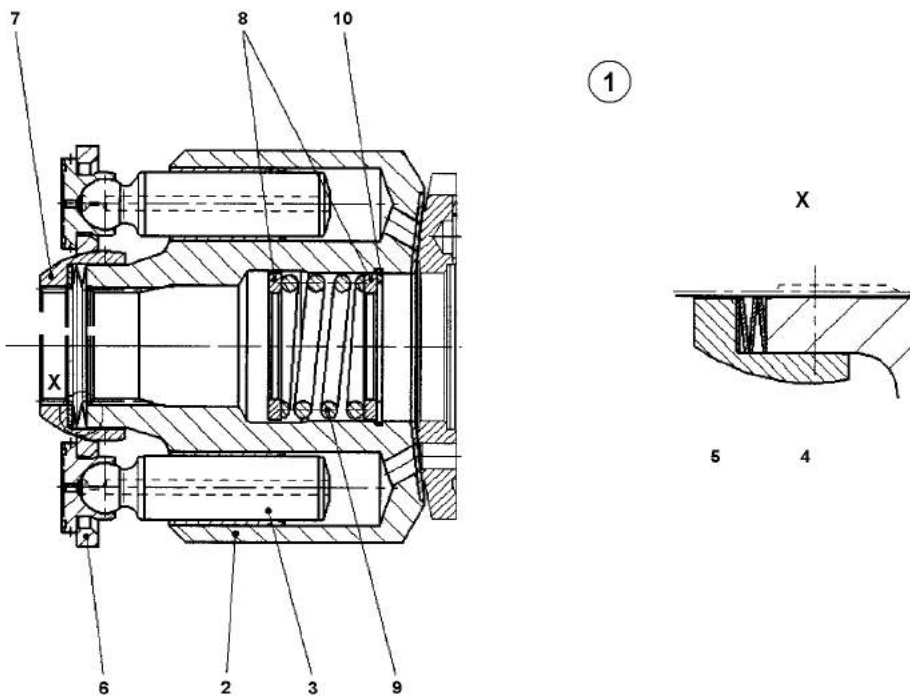
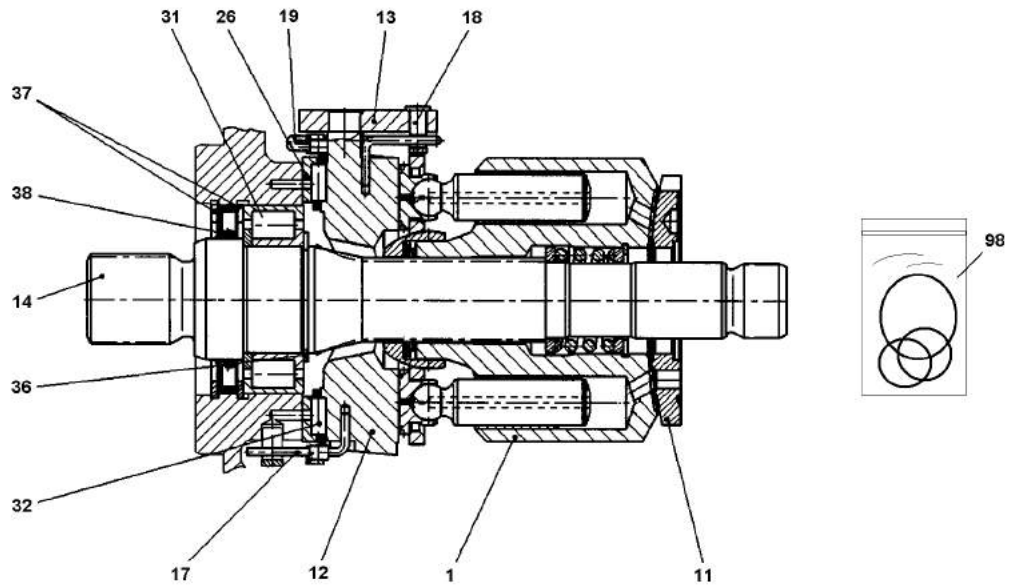
Item	Part No.	Name	Qty	L	SN INFO
1	4812112169	Hydraulic pump, propulsion	1		
2	4700904558	Washer, 17x30x6 mm 300 HV	2		
3	4700500093	Hex. screw	2		
4	4700929226	Flange half	4		
5	4700904637	Washer	8		
6	4700508080	Screw	8		
7	4700901157	Measuring nipple	2		
8	4700792336	Straight connector orfs	1		
9	4700792335	Straight connector orfs	1		
10	4700791831	Tee-connector	1		
11	4700904004	O-ring 90	2		

4812112169 Hydraulic pump, propulsion 4812112169 Hydraulic pump, propulsion



Item	Part No.	Name	Qty	L	SN INFO
0	4812112169	Hydraulic pump, propulsion	1		
1	-	Rotary group	1		
2	-	Hydraulic control	1		
3	-	Port plate with valves	1		
5	-	Control module	1		
10	--	Housing	1		
13	--	Joint pin	1		
14	--	Dowel pin	1		
20	--	Locking screw	1		
21	--	Locking screw	1		
22	--	Locking screw	4		
27	--	Double break-off plug	2		
28	4812158198	Orifice	2		
31	--	Clamping pin	2		
32	--	Locking screw	1		
46	--	Threaded pin	1		
47	--	Sealing nut	1		
49	4700936313	Orifice	1		
98	4700940675	Seal kit	1		

4812112169 Hydraulic pump, propulsion Rotary group

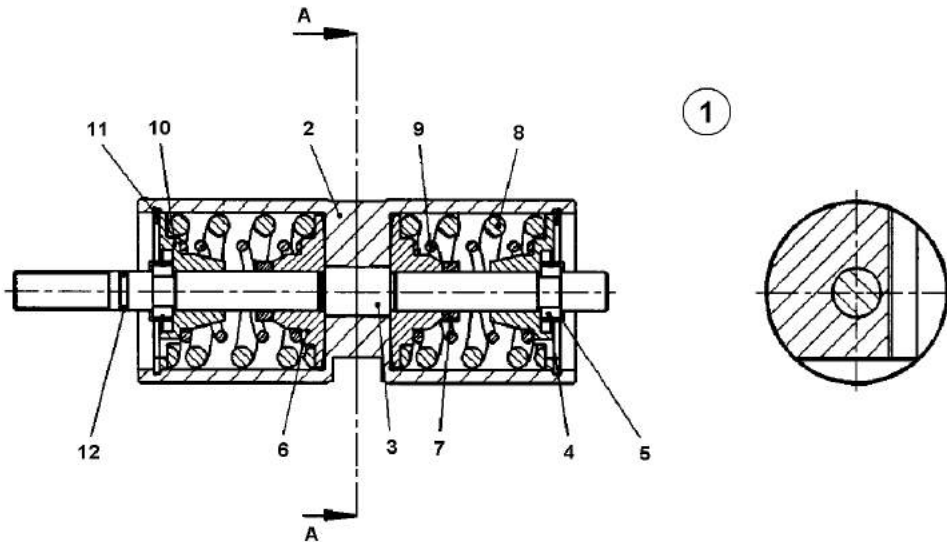
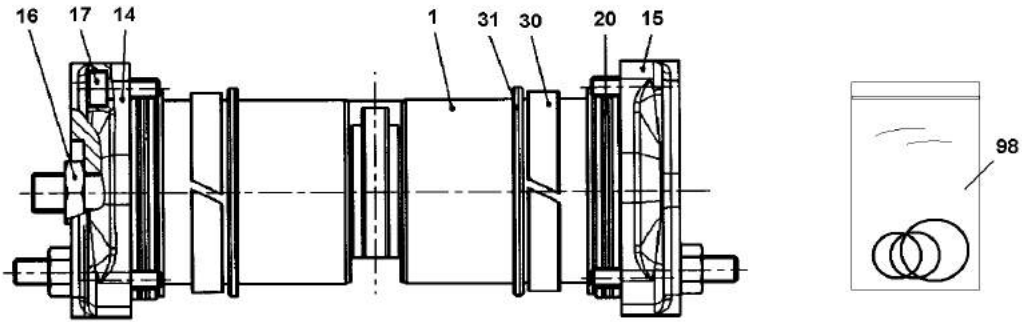


Refer to Parts Online for the most up to date information. The printed information might be outdated.

Wed Apr 11 13:33:40 UTC 2018

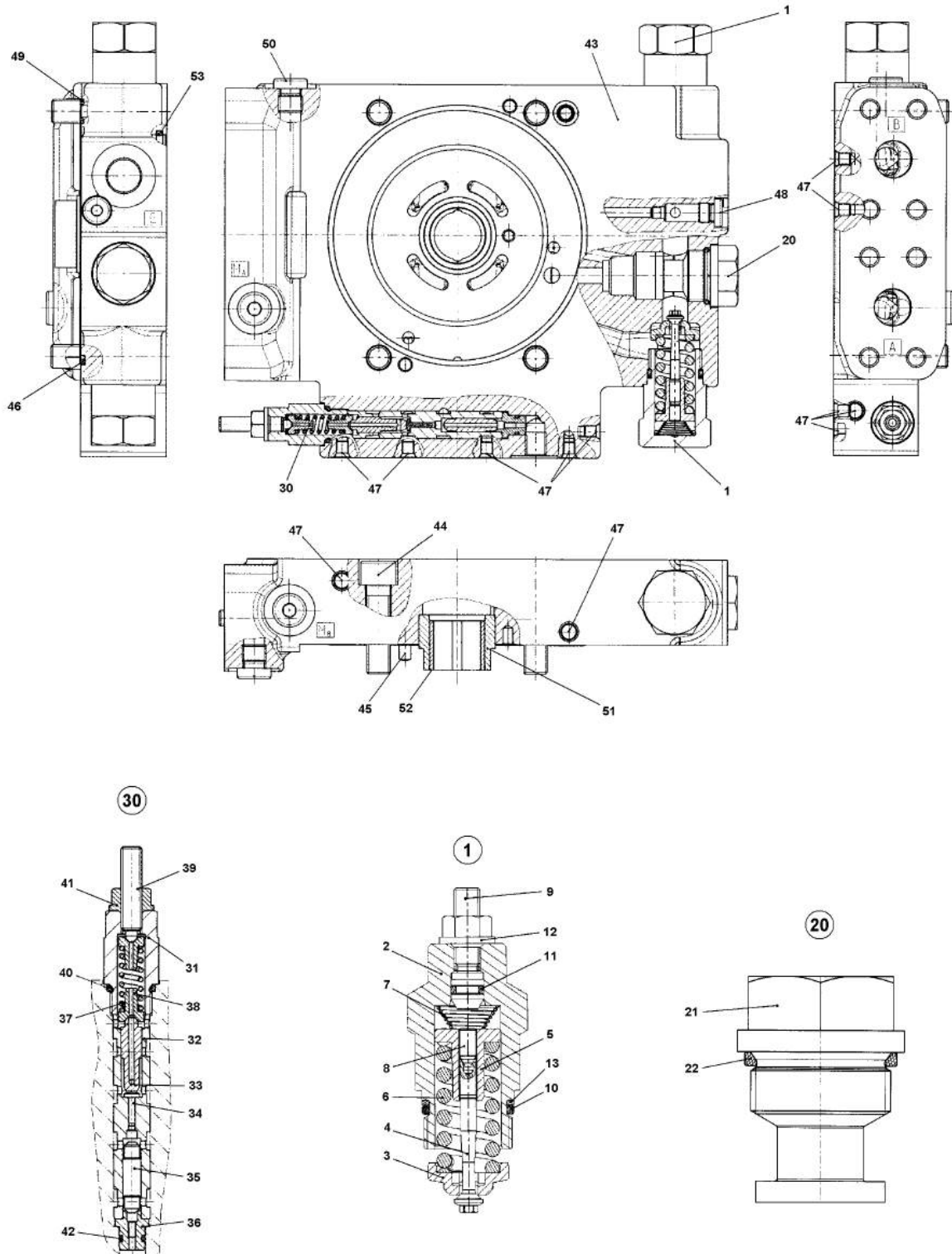
Item	Part No.	Name	Qty	L	SN INFO
1	-	Rotary group, hydraulic section	1		
2	--	Cylinder with bush	1		
3	--	Piston-slipper pad	9		
4	--	Cup spring stack	1		
5	--	Shim	1		
6	--	Retaining plate	1		
7	--	Retaining ball	1		
8	--	Washer	2		
9	--	Pressure spring	1		
10	--	Retaining ring	1		
11	-	Control plate	1		
12	-	Cradle	1		
13	-	Slide ring	1		
14	-	Drive shaft	1		
17	-	Wire	1		
18	-	Joint pin	1		
19	-	Wire	1		
26	4700937182	Bearing liner, 1 pair	1		
31	4700937185	Bearing	1		
32	4812158773	Cradle bearing assy (Set)	1		
36	-	Retaining ring	1		
37	4812158774	Seeger-v-ring	2		
38	4700937189	Seal ring	1		
98	4812158775	Seal kit, drive shaft	1		

4812112169 Hydraulic pump, propulsion Hydraulic control



Item	Part No.	Name	Qty	L	SN INFO
1	-	Positioning piston, cpl	1		
2	--	Positioning piston	1		
3	--	Rod	1		
4	--	Ring	2		
5	--	Assembly ring	2		
6	--	Spring collar	2		
7	--	Spacer ring	2		
8	--	Pressure spring	2		
9	--	Pressure spring	2		
10	--	Spring collar	2		
11	--	Retaining ring	2		
12	4812157151	O-ring	1		
14	-	Injector part	1		
15	-	Injector part	1		
16	-	Hexagon nut	1		
17	-	Socket head screw	8		
20	4812157859	O-ring	2		
30	4700938003	Guide ring	2		
31	4812157860	Rod seal kit	2		
98	4700908370	Seal kit, hydraulic control	1		

4812112169 Hydraulic pump, propulsion Port plate with valves



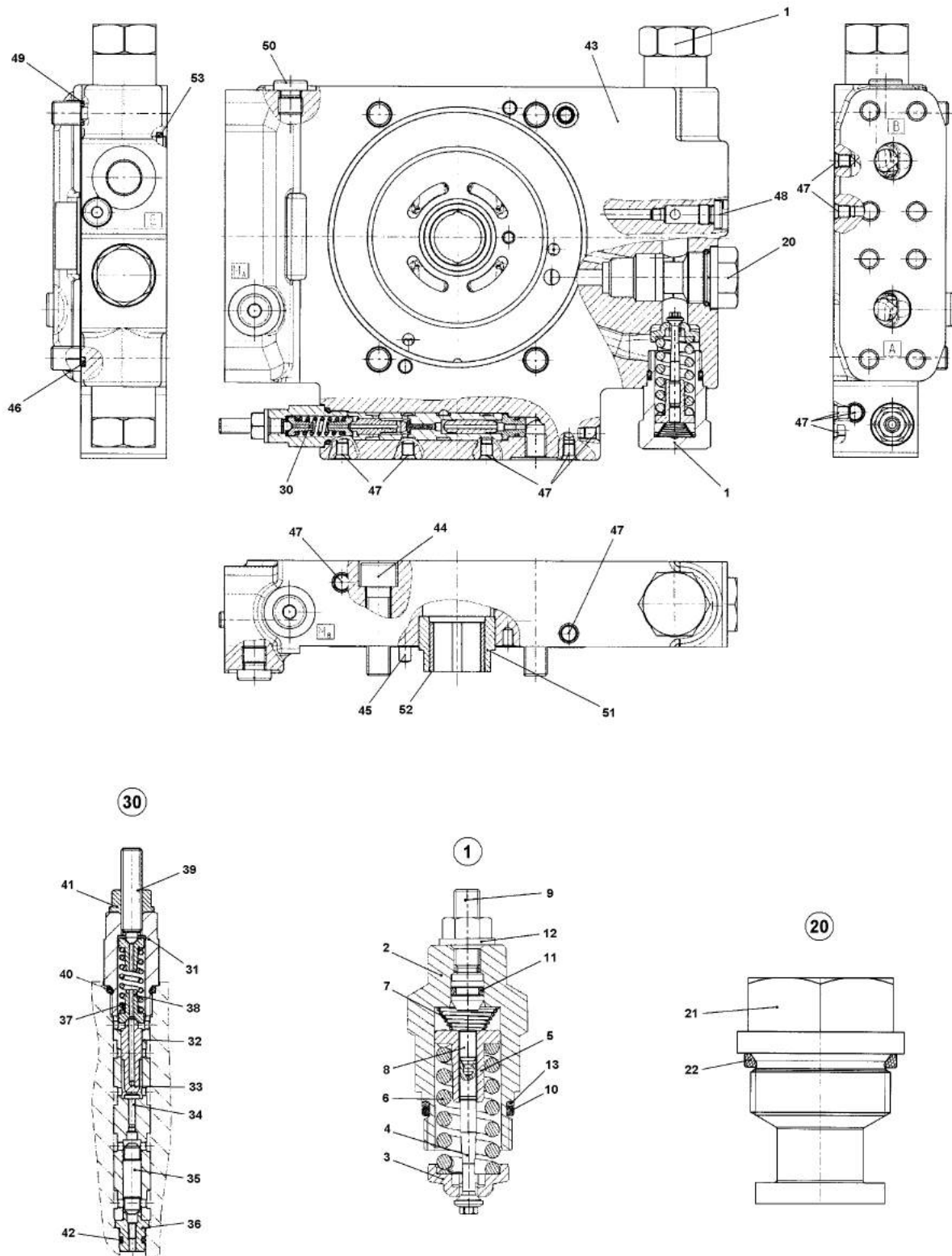
Refer to Parts Online for the most up to date information. The printed information might be outdated.

Wed Apr 11 13:33:41 UTC 2018

Item	Part No.	Name	Qty	L	SN INFO
1	4812157796	Pressure relief valve	2		
2	--	Locking screw	1		
3	--	Valve collar	1		
4	--	Valve spindle	1		
5	--	Spring loading nut	1		
6	--	Pressure spring	1		
7	--	Spring, cone-shaped	1		
8	--	Threaded pin	1		
9	--	Adjustment bolt	1		
10	4700927278	O-ring	1		
11	--	O-ring	1		
12	--	Sealing nut	1		
13	4812157799	Back-up ring	1		
20	4812158770	Locking set with orifice	1		
21	--	Locking screw	1		
22	4700927278	O-ring	1		
30	4812157861	Pressure override valve	1		
31	--	Locking screw	1		
32	--	Valve bushing	1		
33	--	Control piston	1		
34	--	Piston	1		
35	--	Valve piston	1		
36	--	Poppet seat	1		
37	--	Pressure spring	1		
38	--	Spring collar	2		
39	--	Adjusting screw	1		
40	4700902783	O-ring	1		
41	--	Sealing nut	1		
42	4812157097	O-ring	1		
43	-	Port plate	1		
44	-	Socket head screw	4		
45	-	Cylinder pin	2		
46	4812158776	O-ring	1		
47	-	Double break-off plug	7		
48	-	Locking screw	1		
49	4812157151	O-ring	1		
50	-	Locking screw	2		
51	-	Bush	1		

Refer to Parts Online for the most up to date information. The printed information might be outdated.

Wed Apr 11 13:33:41 UTC 2018

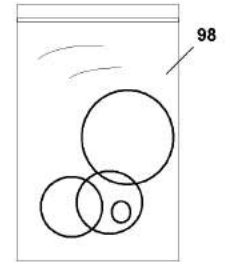
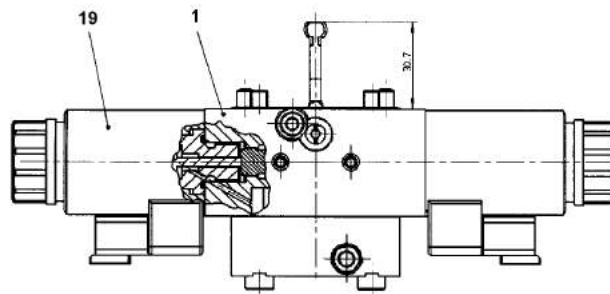
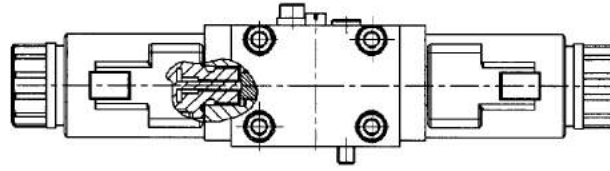


Refer to Parts Online for the most up to date information. The printed information might be outdated.

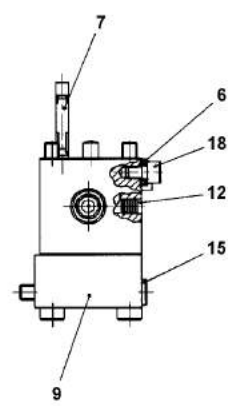
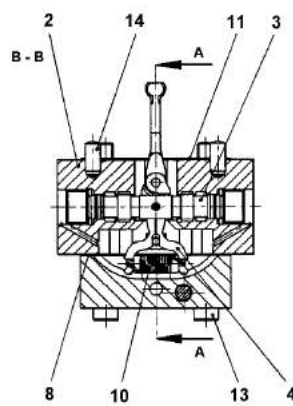
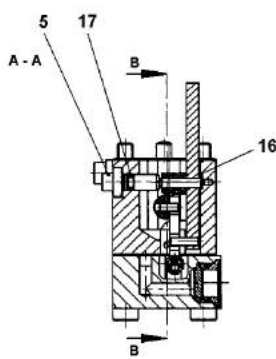
Wed Apr 11 13:33:42 UTC 2018

Item	Part No.	Name	Qty	L	SN INFO
52	-	Bearing bushing	1		
53	4812158251	O-ring	1		

4812112169 Hydraulic pump, propulsion Control module

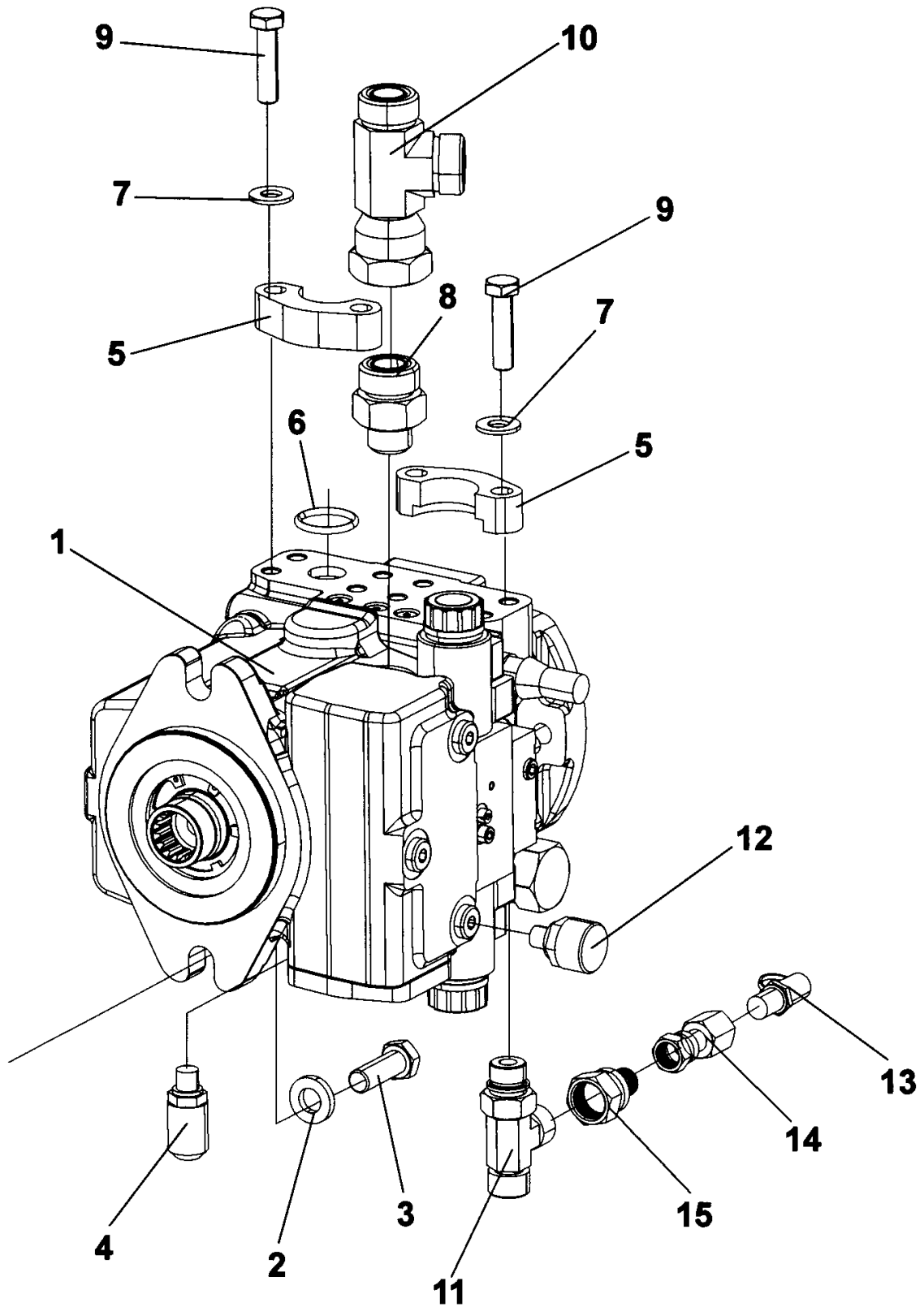


1



Item	Part No.	Name	Qty	L	SN INFO
1	4812002474	Control module	1		
2	--	Housing	1		
3	--	Control piston with cylinder pin	1		
4	--	Lever pair	1		
5	--	Eccentric pin	1		
6	--	Shim	1		
7	--	Feedback lever with needle roller	1		
8	4812157155	Gasket	1		
9	--	Cover with filter	1		
10	--	Draw spring	1		
11	4812156599	Gasket	1		
12	--	Seal plug	2		
13	--	Socket head screw	4		
14	--	Cylinder pin	2		
15	--	Socket head screw	1		
16	--	Shim	1		
17	4812157156	O-ring	1		
18	--	Socket head screw	1		
19	4812156151	Proportional solenoid	2		
98	D967536871	Seal kit	1		

Hydraulic system, engine room Hydraulic pump module

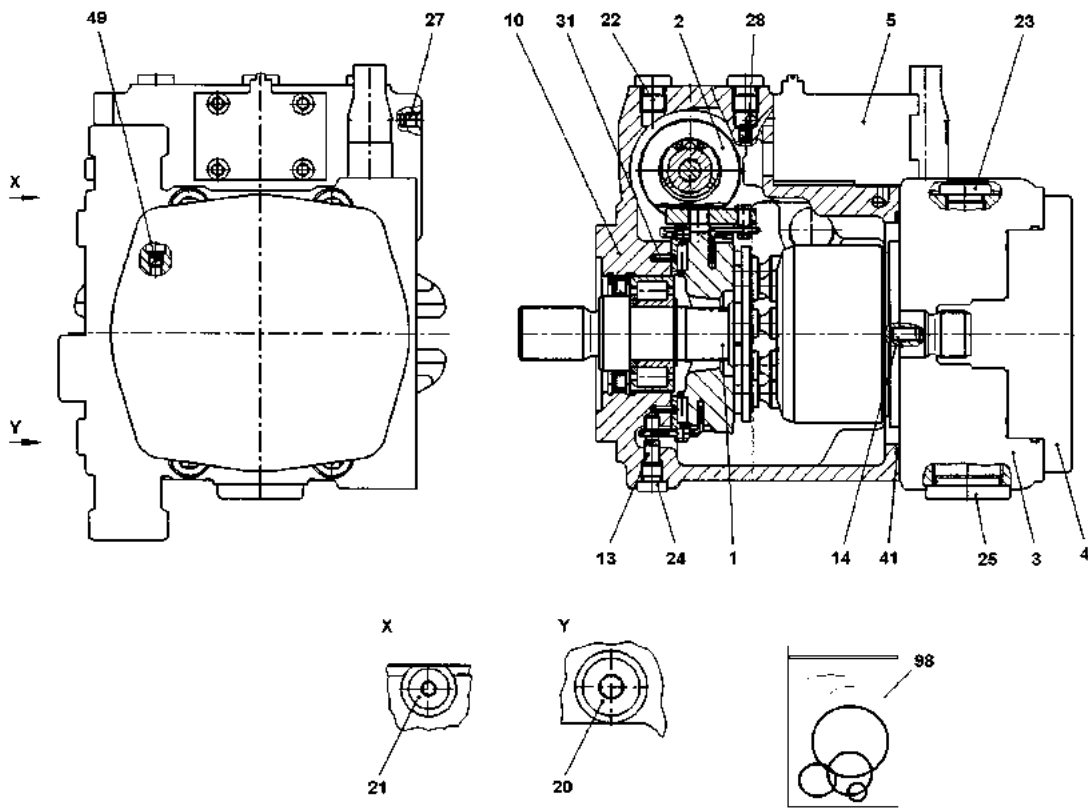


Refer to Parts Online for the most up to date information. The printed information might be outdated.

Wed Apr 11 13:33:43 UTC 2018

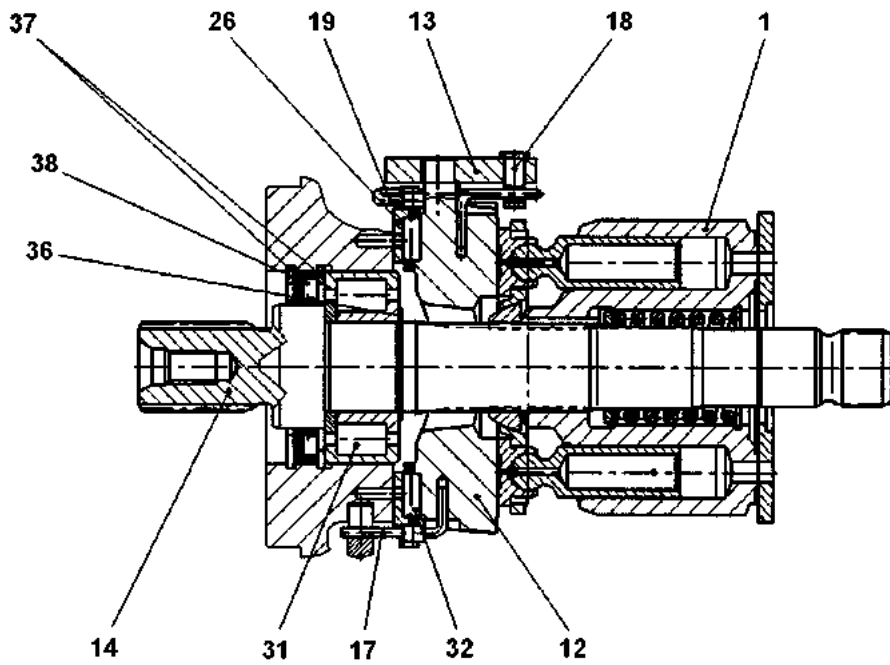
Item	Part No.	Name	Qty	L	SN INFO
1	4812112172	Hydraulic pump, vibration	1		
2	4700904703	Plain washer 13x24x4 mm	2		
3	4700500037	Hex. screw	2		
4	4700901157	Measuring nipple	2		
5	4700929226	Flange half	4		
6	4700904004	O-ring 90	2		
7	4700904637	Washer	8		
8	4700792336	Straight connector orfs	1		
9	4700508080	Screw	8		
10	4700904496	Adapter	1		
11	4700791700	Tee-connector	1		
12	4812116781	Oil filling plug	1		
13	4700923405	Measuring nipple	1		
14	4700792649	Straight connector orfs	1		
15	4700792823	Adapter	1		

4812112172 Hydraulic pump 4812112172 Hydraulic pump



Item	Part No.	Name	Qty	L	SN INFO
1		Rotary group	1		
2		Adjusting piece	1		
3		Portplate with valves	1		
4		Pump support plate	1		
5		4/3-Way directional valve	1		
10	-	Housing	1		
13	-	Joint pin	1		
14	-	Cylinder pin	1		
20	-	Locking screw	1		
21	-	Locking screw	1		
22	-	Locking screw	3		
23	-	Locking screw	1		
24	-	Locking screw	1		
25	-	Locking screw	1		
27	-	Double break-off plug	1		
28	4812158198	Orifice	2		
31	-	Clamping pin	2		
41	4812157789	O-ring	1		
49	4700936313	Orifice	1		
98	4700940674	Seal kit, cpl	1		

4812112172 Hydraulic pump Rotary group

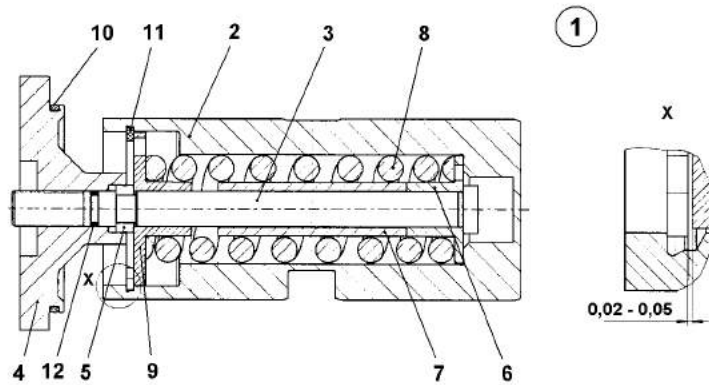
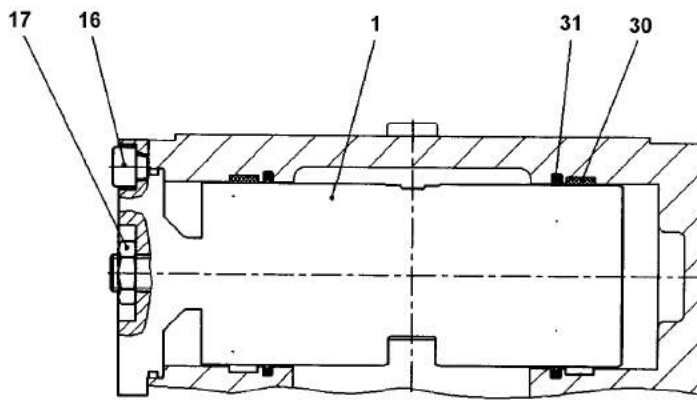
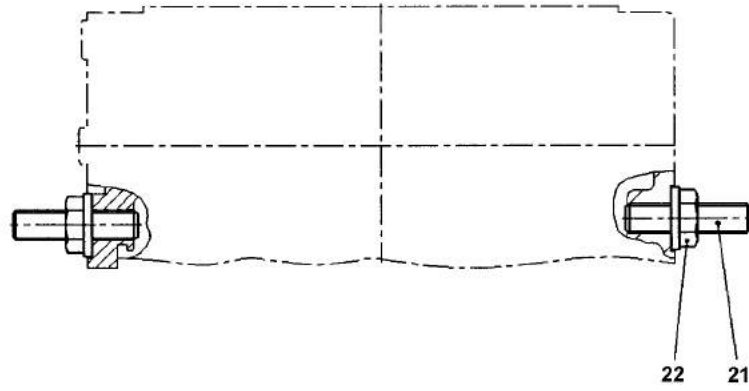


Refer to Parts Online for the most up to date information. The printed information might be outdated.

Wed Apr 11 13:33:43 UTC 2018

Item	Part No.	Name	Qty	L	SN INFO
1	-	Rotary group, hydraul section	1		
12	-	Cradle	1		
13	-	Slide ring	1		
14	-	Shaft	1		
17	-	Wire	1		
18	-	Joint pin	1		
19	-	Wire	1		
26	4812157790	Bearing liner (Pair)	1		
31	4812157791	Plain roller bearing	1		
32	4700902620	Cradle bearing assy (Set)	1		
36	-	Retaining ring	1		
37	-	Retaining ring	2		
38	4812157792	Shaft seal ring	1		
98	4812157793	Seal kit drive shaft	1		

4812112172 Hydraulic pump Adjusting piece

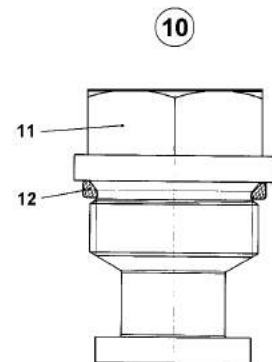
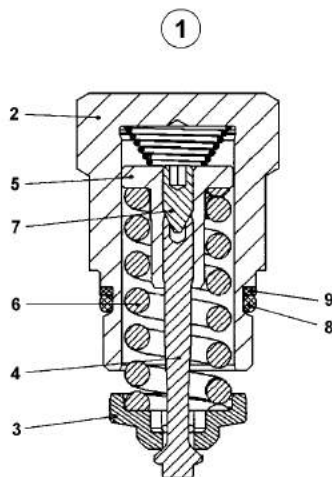
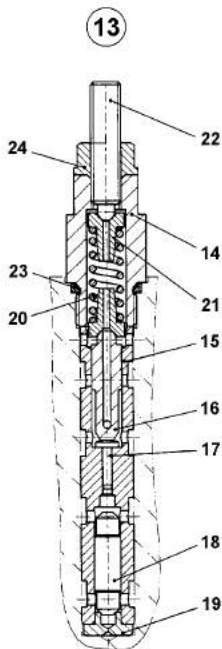
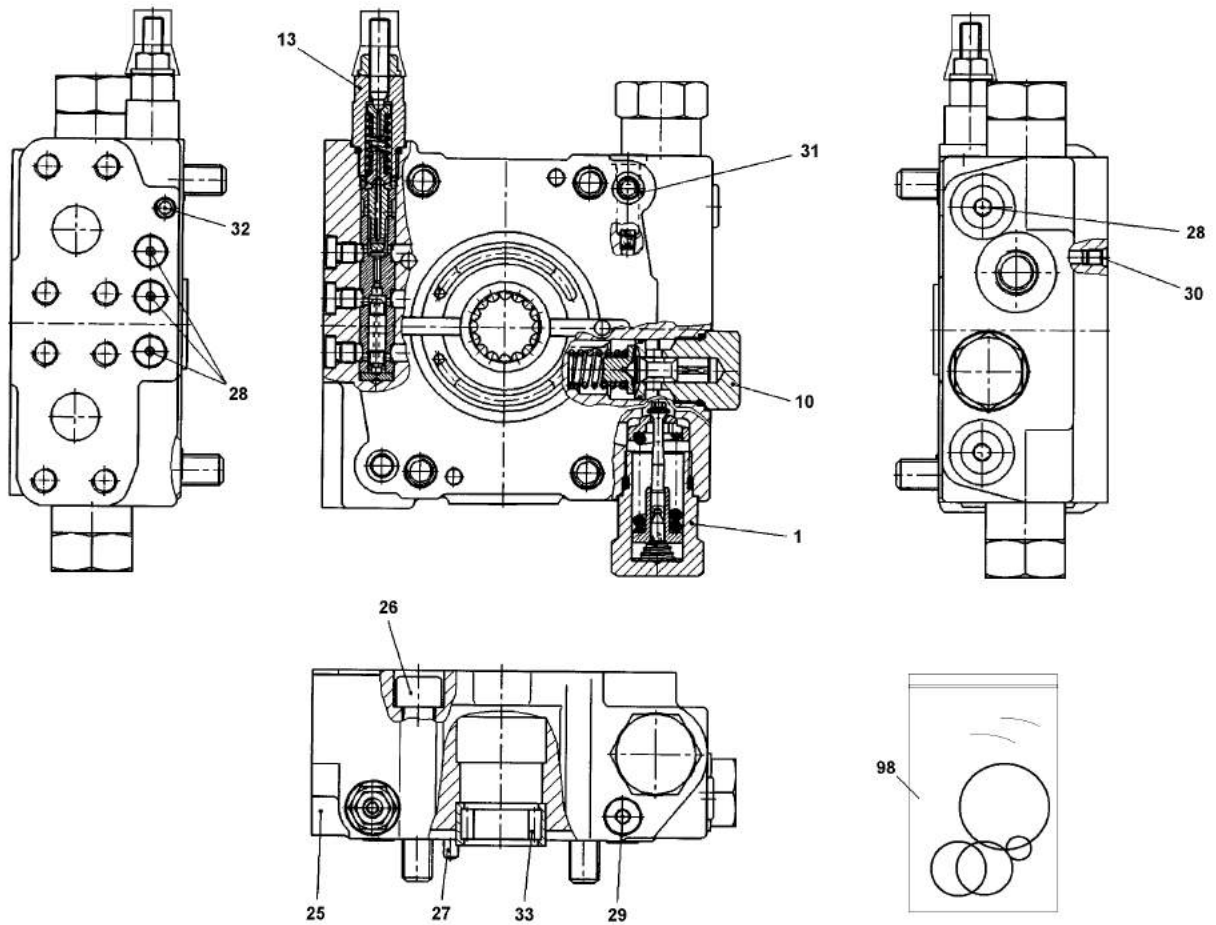


Refer to Parts Online for the most up to date information. The printed information might be outdated.

Wed Apr 11 13:33:43 UTC 2018

Item	Part No.	Name	Qty	L	SN INFO
1	-	Positioning piston, cpl	1		
2	--	Positioning piston	1		
3	--	Rod	1		
4	--	Cover	1		
5	--	Ring	1		
6	--	Spring collar	1		
7	--	Spacer bush	1		
8	--	Pressure spring	1		
9	--	Spring collar	1		
10	4812157198	O-ring	1		
11	--	Seeger ring	1		
12	4812157151	O-ring	1		
16	-	Socket head screw	4		
17	-	Hexagon nut	1		
21	-	Threaded pin	2		
22	-	Sealing nut	2		
30	-	Guide ring	2		
31	-	Rod seal kit	2		
98	-	Seal kit, hydraulic control	1		

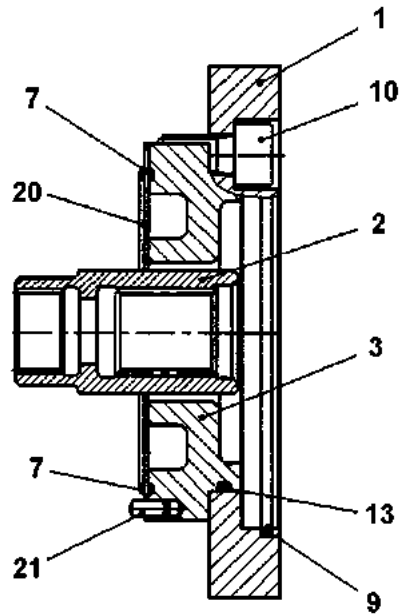
4812112172 Hydraulic pump Portplate with valves



Refer to Parts Online for the most up to date information. The printed information might be outdated.

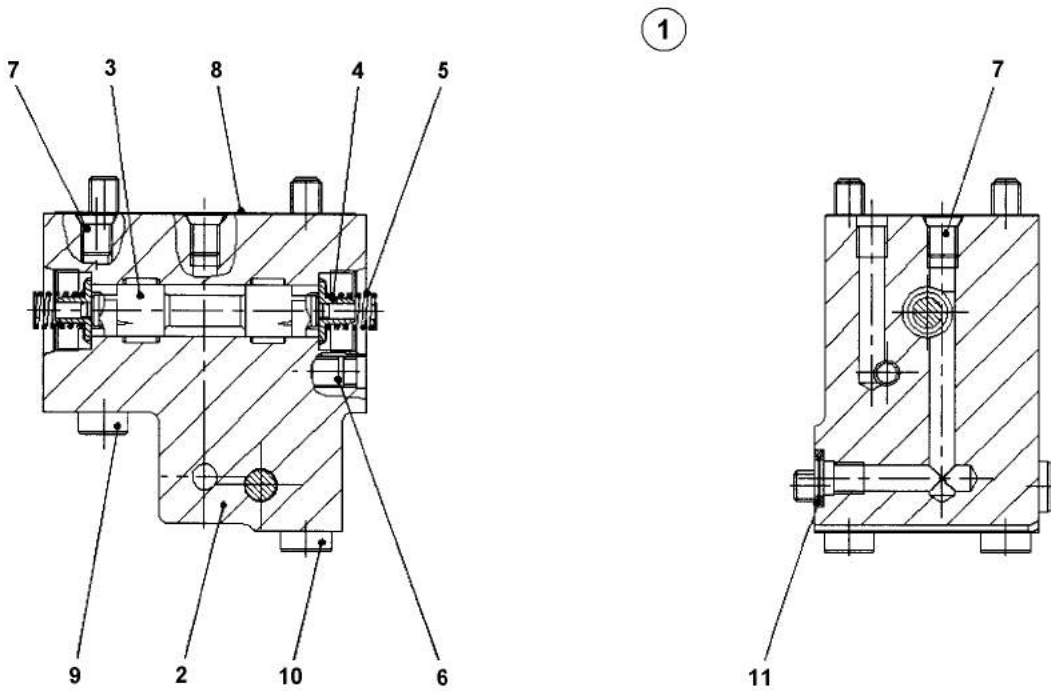
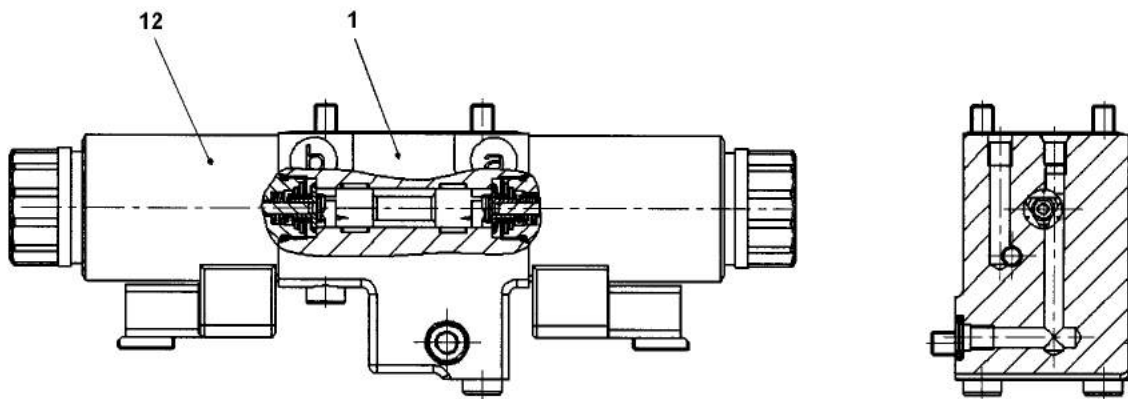
Wed Apr 11 13:33:44 UTC 2018

Item	Part No.	Name	Qty	L	SN INFO
1	4700937240	Pressure relief valve 440 bar	2		
2	--	Locking screw	1		
3	--	Valve collar	1		
4	--	Valve spindle	1		
5	--	Spring loading nut	1		
6	--	Pressure spring	1		
7	--	Threaded pin	1		
8	4700927278	O-ring	1		
9	4812157799	Back-up ring	1		
10	4812158770	Locking set with orifice	1		
11	--	Locking screw	1		
12	4700927278	O-ring	1		
13	4812157797	Pressure override valve	1		
14	--	Locking screw	1		
15	--	Valve bushing	1		
16	--	Control piston	1		
17	--	Piston	1		
18	--	Valve piston	1		
19	--	Poppet seat	1		
20	--	Pressure spring	1		
21	--	Spring collar	2		
22	--	Adjusting screw	1		
23	4700902783	O-ring	1		
24	--	Sealing nut	1		
25	-	Port plate	1		
26	-	Socket head screw	4		
27	-	Cylinder pin	2		
28	-	Double break-off plug	2		
29	-	Locking screw	1		
30	-	Locking screw	3		
31	4700902641	O-ring	2		
32	-	Locking screw	2		
33	4700901744	Plain roller bearing	1		
98	4812157798	Seal kit, port plate with valves	1		

4812112172 Hydraulic pump Pump support plate

Item	Part No.	Name	Qty	L	SN INFO
1	-	Intermediate flange	1		
2	-	Through drive coupling	1		
3	4812158771	Seal ring	1		
7	4812157865	Seal ring	1		
9	4812157482	O-ring	1		
10	-	Socket head screw	4		
13	4812157852	O-ring	1		
20	-	Bearing cover	1		
21	-	Cylinder pin	1		

4812112172 Hydraulic pump 4/3-Way directional valve

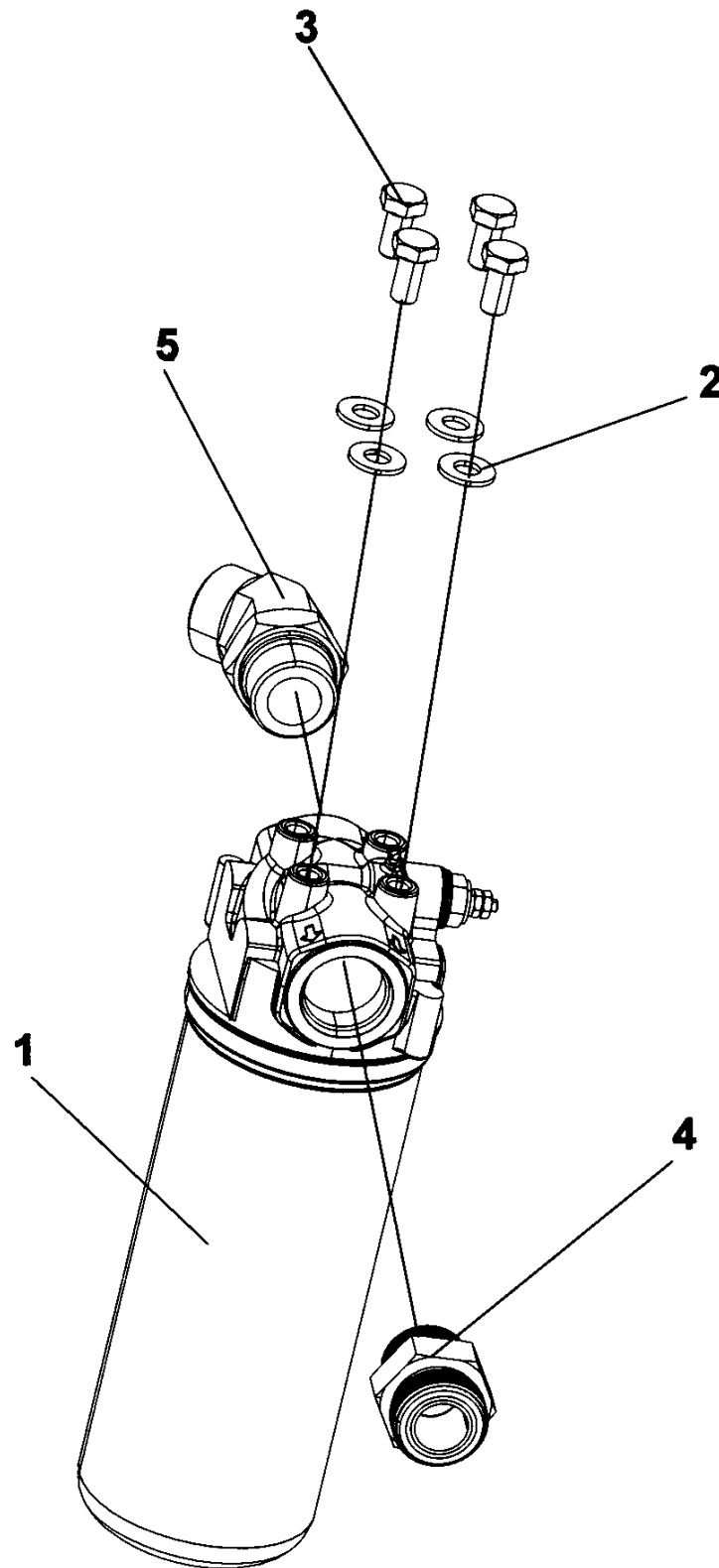


Refer to Parts Online for the most up to date information. The printed information might be outdated.

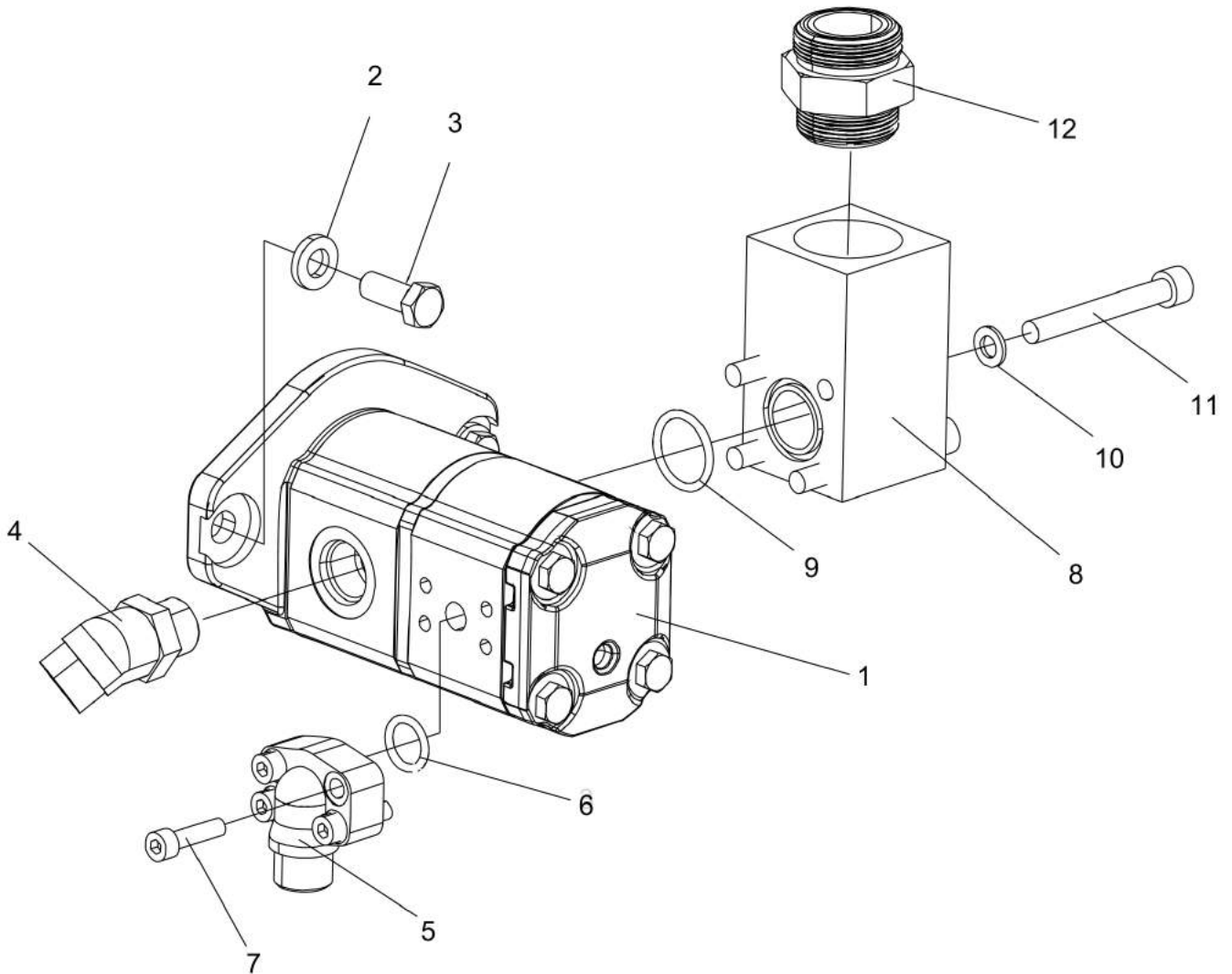
Wed Apr 11 13:33:45 UTC 2018

Item	Part No.	Name	Qty	L	SN INFO
1	4812156756	Valve housing with accessories	1		
2	--	Valve housing	1		
3	--	Control piston	1		
4	--	Spring collar	2		
5	--	Pressure spring	2		
6	--	Plug	1		
7	--	Double break-off plug	3		
8	4812156599	Gasket	1		
9	--	Socket haed screw	3		
10	--	Socket head screw	2		
11	4812157253	O-ring	1		
12	4812156152	Solenoid	1		

Hydraulic system, engine room Hydraulic oil filter assy



Item	Part No.	Name	Qty	L	SN INFO
1	4812112260	Hydraulic oil filter	1		
1	4812112262	Hydraulic oil filter element	1		
1	4812160664	Fiction ring, filter head	1		
1	4700936898	Sensor Red (RW)	1		
2	4700904230	Plain washer 10.5x22x2 mm	4		
3	4700500048	Screw, M10x20 mm 8.8 A3K	4		
4	4700792339	Adapter	1		
5	4700791212	Adapter	1		

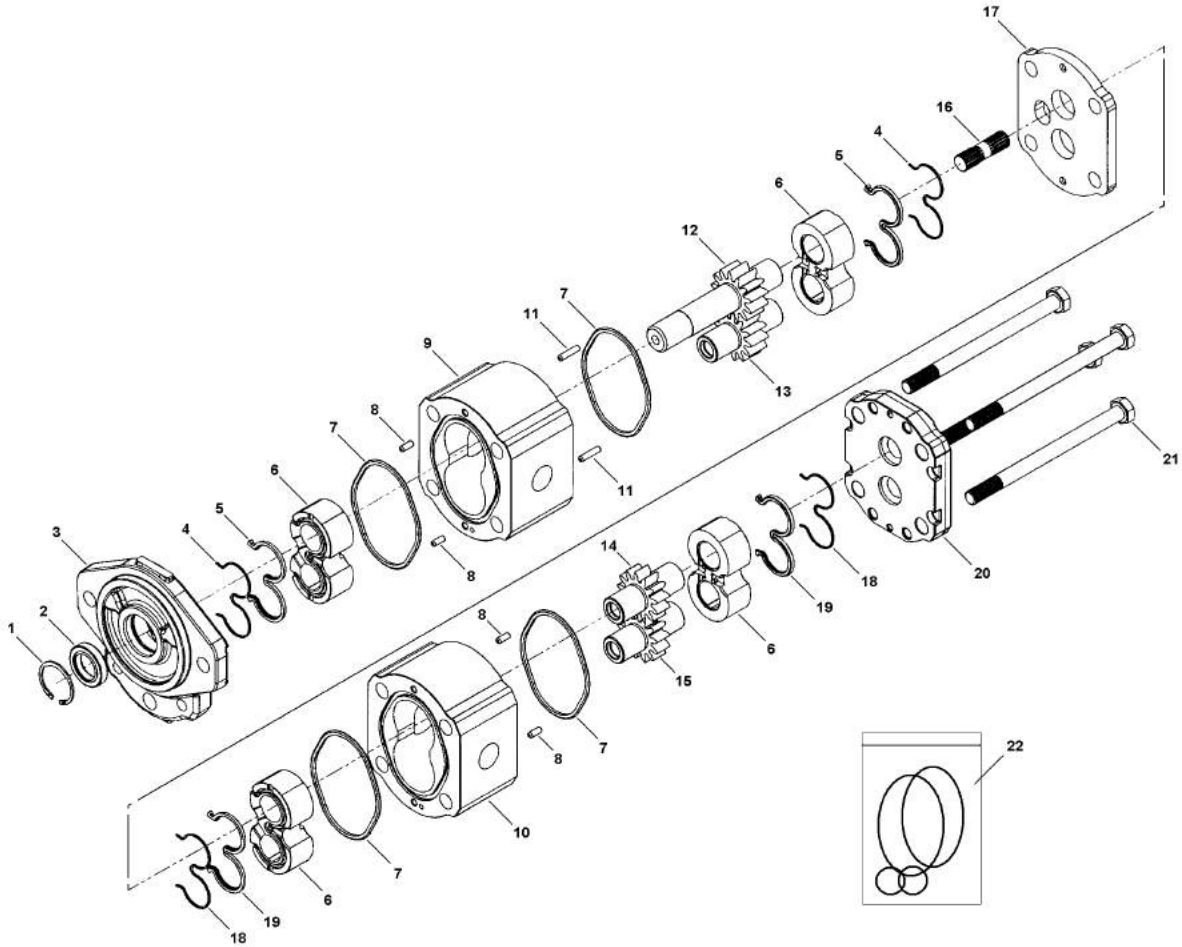
Hydraulic system, engine room Hydraulic pump module

Refer to Parts Online for the most up to date information. The printed information might be outdated.

Wed Apr 11 13:33:45 UTC 2018

Item	Part No.	Name	Qty	L	SN INFO
1	4812112182	Hydraulic pump, steering	1		
2	4700904231	Washer, 13x24x2 mm 300 HV	2		
3	4700500046	Hex. head screw M12x030H	2		
4	4700791230	Adapter	1		
5	4812113633	Flange connector	1		
6	4700904774	O-ring	1		
7	4700508048	Hexagon socket head cap screw M	4		
8	4812116589	Hydraulic block	1		
9	4700904005	O-ring	1		
10	4700904637	Washer	4		
11	4700500090	Screw	4		
12	4812114189	Adapter	1		

Hydraulic system, engine room 4812112182 Hydraulic pump, steering

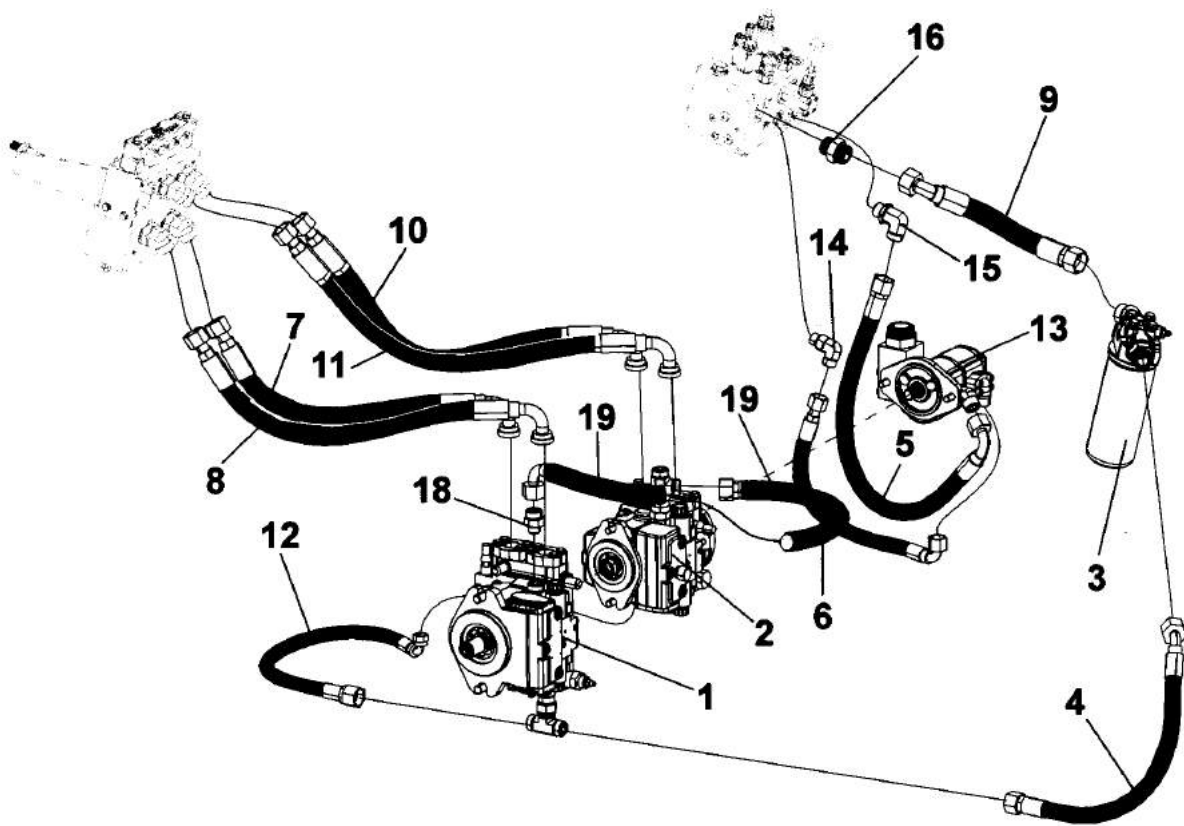


Refer to Parts Online for the most up to date information. The printed information might be outdated.

Wed Apr 11 13:33:46 UTC 2018

Item	Part No.	Name	Qty	L	SN INFO
0	4812112182	Hydraulic pump, steering	1		
1	--	Snap ring	1		
2	--	Shaft seal	1		
3	--	Mounting flange	1		
4	--	Back-up ring	2		
5	--	Seal	2		
6	--	Bearing block	4		
7	--	O-ring	4		
8	--	Dowel pin 1	4		
9	--	Gear housing 1	1		
10	--	Gear housing 2	1		
11	--	Dowel pin 2	2		
12	--	Drive gear 1	1		
13	--	Idler gear 1	1		
14	--	Drive gear 2	1		
15	--	Idler gear 2	1		
16	--	Coupling	1		
17	--	Distance plate	1		
18	--	Back-up ring	2		
19	--	Seal	2		
20	--	End cover	1		
21	--	Screw	4		
22	4812158395	Seal kit, cpl	1		

Hydraulic system, engine room Adjustable frequency, ECO Hydraulic system, engine room Adjustable frequency, ECO



Refer to Parts Online for the most up to date information. The printed information might be outdated.

Wed Apr 11 13:33:46 UTC 2018

Item	Part No.	Name	Qty	L	SN INFO
1	4812112169	Hydraulic pump, propulsion	1	A	
2	4812112177	Hydraulic pump, vibration	1	B	
3	-	Hydraulic oil filter assy	1		
4	4812115366	Hydraulic hose	1		
5	4812117781	Hydraulic hose	1		
6	4812117782	Hydraulic hose	1		
7	4812127130	Hydraulic hose	1	C	
8	4812127131	Hydraulic hose	1	D	
9	4812117787	Hydraulic hose	1		
10	4812127124	Hydraulic hose	1	E	
11	4812127125	Hydraulic hose	1	F	
12	4812120132	Hydraulic hose	1		
13	-	Hydraulic pump module	1		
14	4700791843	Elbow 90, O-ring with swivel	1		
15	4700791231	Adapter	1		
16	4700792339	Adapter	1		
18	4700792336	Straight connector orfs	1		
19	4812120135	Hydraulic hose	1		

Comments for Page: Hydraulic system, engine room Adjustable frequency, ECO

(L)OCAL REMARKS

A | en_US | Propulsion pump

B | en_US | Vibration pump

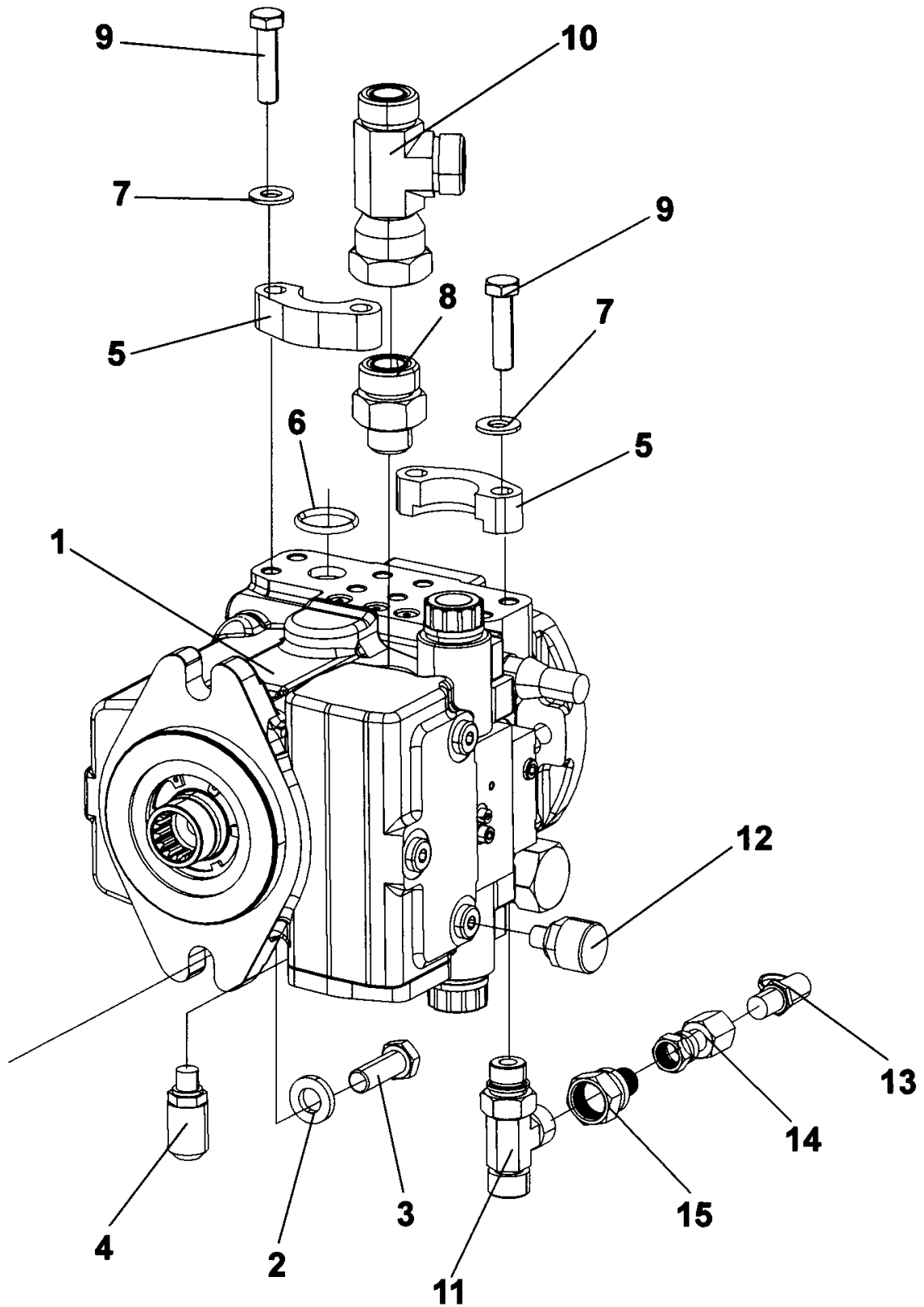
C | en_US | Port AO

D | en_US | Port BP

E | en_US | Port BV

F | en_US | Port AV

Hydraulic system, engine room Adjustable frequency, ECO Hydraulic pump module

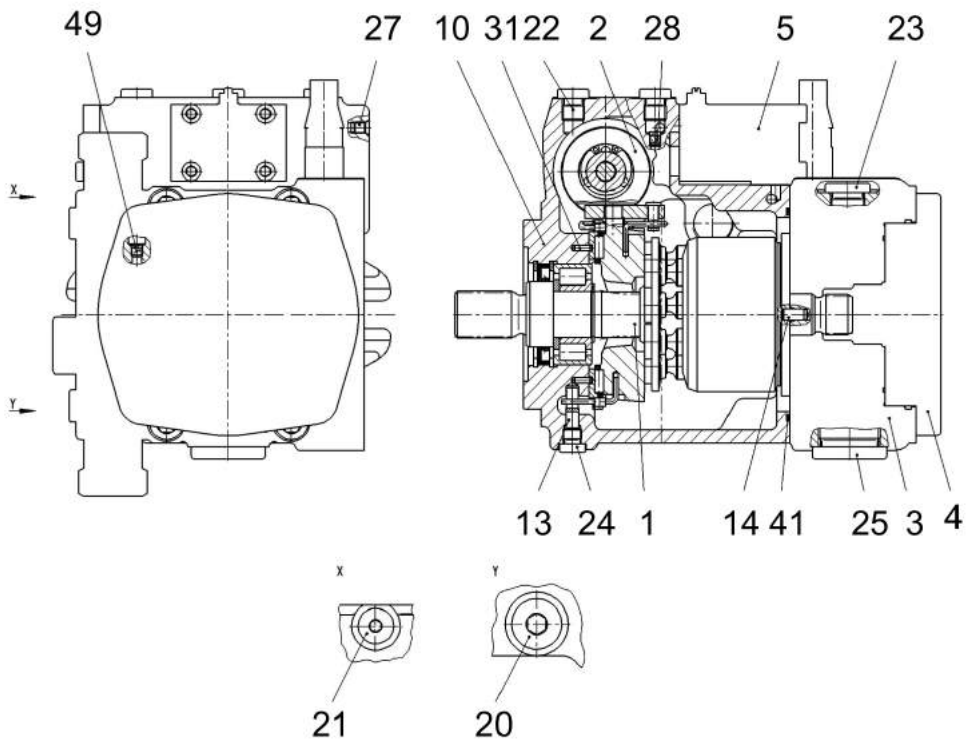


Refer to Parts Online for the most up to date information. The printed information might be outdated.

Wed Apr 11 13:33:47 UTC 2018

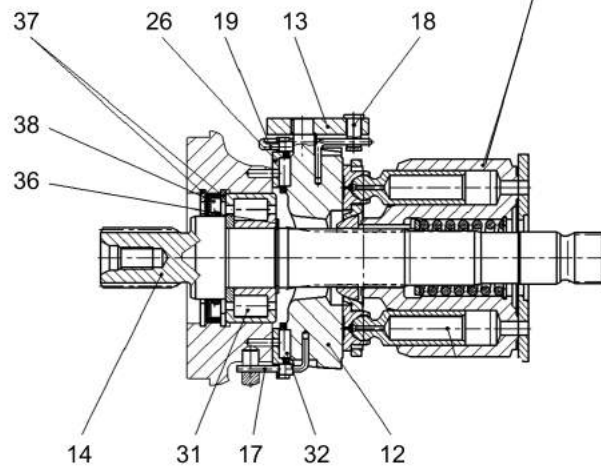
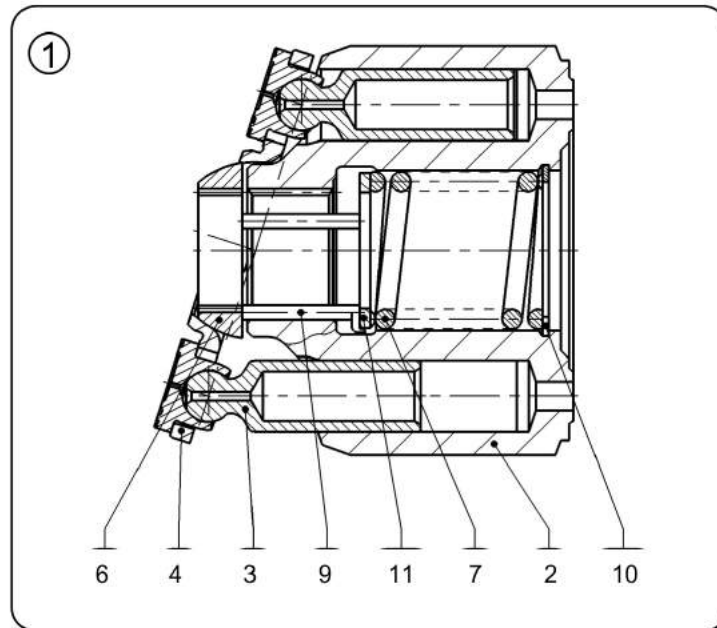
Item	Part No.	Name	Qty	L	SN INFO
1	4812112177	Hydraulic pump, vibration	1		
2	4700904703	Plain washer 13x24x4 mm	2		
3	4700500037	Hex. screw	2		
4	4700901157	Measuring nipple	2		
5	4700929226	Flange half	4		
6	4700904004	O-ring 90	2		
7	4700904637	Washer	8		
8	4700792336	Straight connector orfs	1		
9	4700508080	Screw	8		
10	4700904496	Adapter	1		
11	4700791700	Tee-connector	1		
12	4812116781	Oil filling plug	1		
13	4700923405	Measuring nipple	1		
14	4700792649	Straight connector orfs	1		
15	4700792823	Adapter	1		

4812112177 Hydraulic pump, vibration 4812112177 Hydraulic pump, vibration



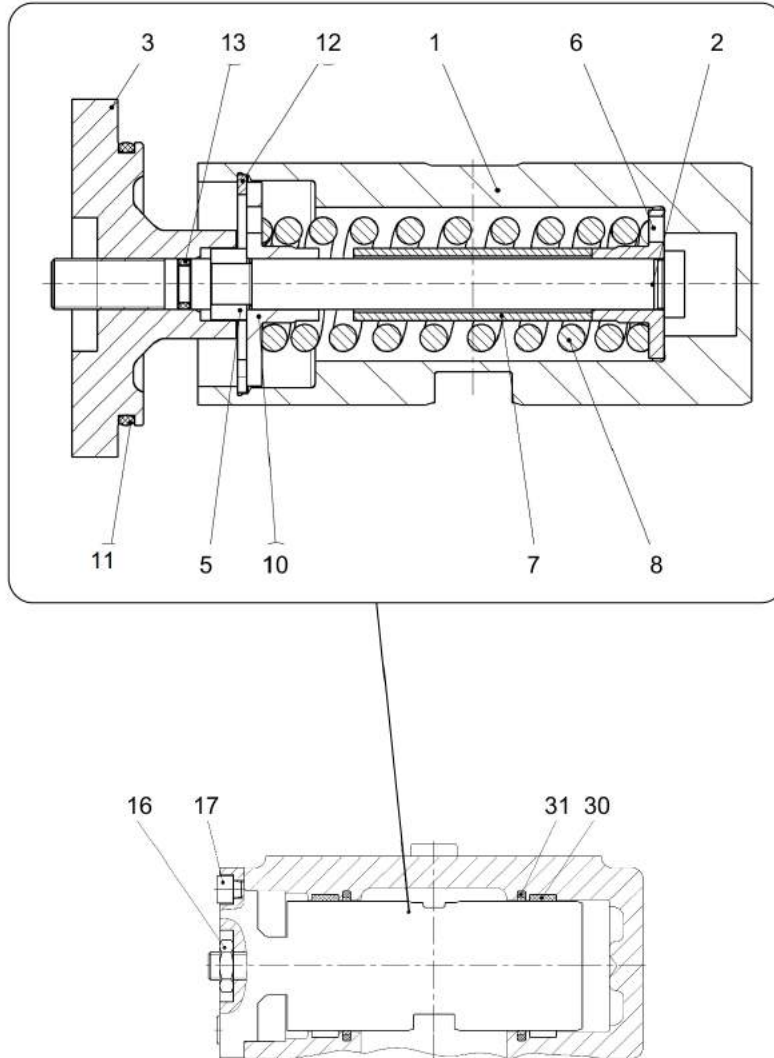
Item	Part No.	Name	Qty	L	SN INFO
0	4812112177	Hydraulic pump, vibration	1		
1	--	Rotary group	1		
2	--	Hydraulic control	1		
3	--	Port plate with valves	1		
4	--	Bell housing	1		
5	--	Control module	1		
10	--	Housing	1		
13	--	Joint pin	1		
14	--	Cylinder pin	1		
20	--	Locking screw	1		
21	--	Locking screw	1		
22	--	Locking screw	3		
23	--	Locking screw	1		
24	--	Locking screw	1		
25	--	Locking screw	1		
27	--	Double break-off plug	1		
28	4812158198	Orifice	2		
31	--	Clamping pin	2		
41	4812157789	O-ring	1		
49	4700936313	Orifice	1		
98	-	Seal kit	1		

4812112177 Hydraulic pump, vibration Rotary group



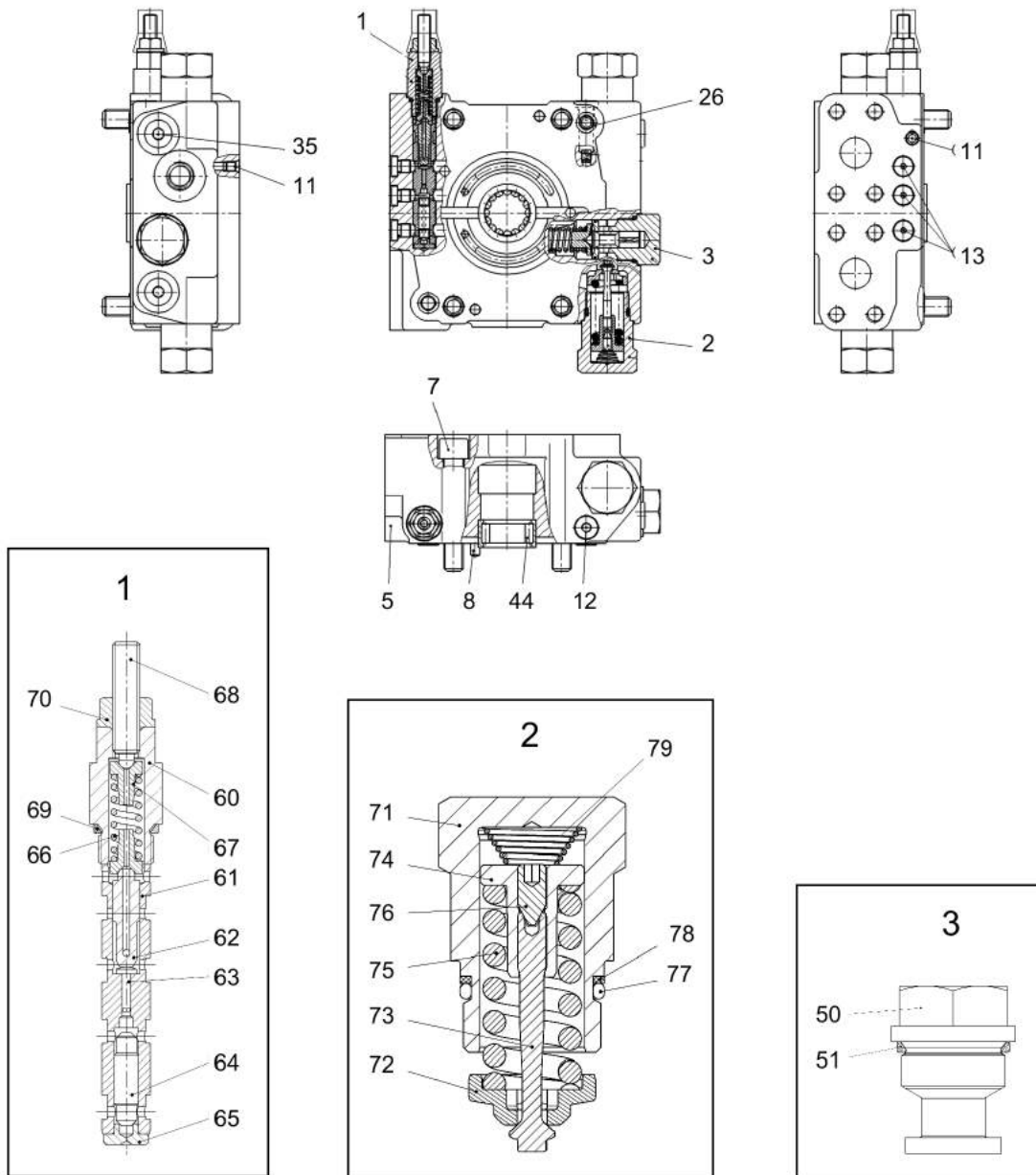
Item	Part No.	Name	Qty	L	SN INFO
1	4700937216	Cylinder with pistons, cpl	1		
2	--	Cylinder with bush	1		
3	--	Piston-slipper pad	9		
4	--	Retaining plate	1		
6	4812157551	Retaining ball	1		
7	--	Pressure spring	1		
8	--	Washer	2		
9	--	Pressure pin	3		
10	4812157552	Seeger v-ring	1		
11	-	Supporting disc	1		
12	4700935171	Cradle	1		
13	-	Slide ring	1		
14	-	Drive shaft	1		
17	4700902644	Wire pin	1		
18	4700935164	Pin	1		
19	4700935165	Wire pin	1		
26	4812157790	Bearing liner (Pair)	1		
31	4812157791	Plain roller bearing	1		
32	4700902620	Cradle bearing assy (Set)	1		
36	4700901750	Retaining ring	1		
37	4700935170	Retaining ring	2		
38	4812157792	Shaft seal ring	1		
98	4812157793	Seal kit drive shaft	1		

4812112177 Hydraulic pump, vibration Hydraulic control



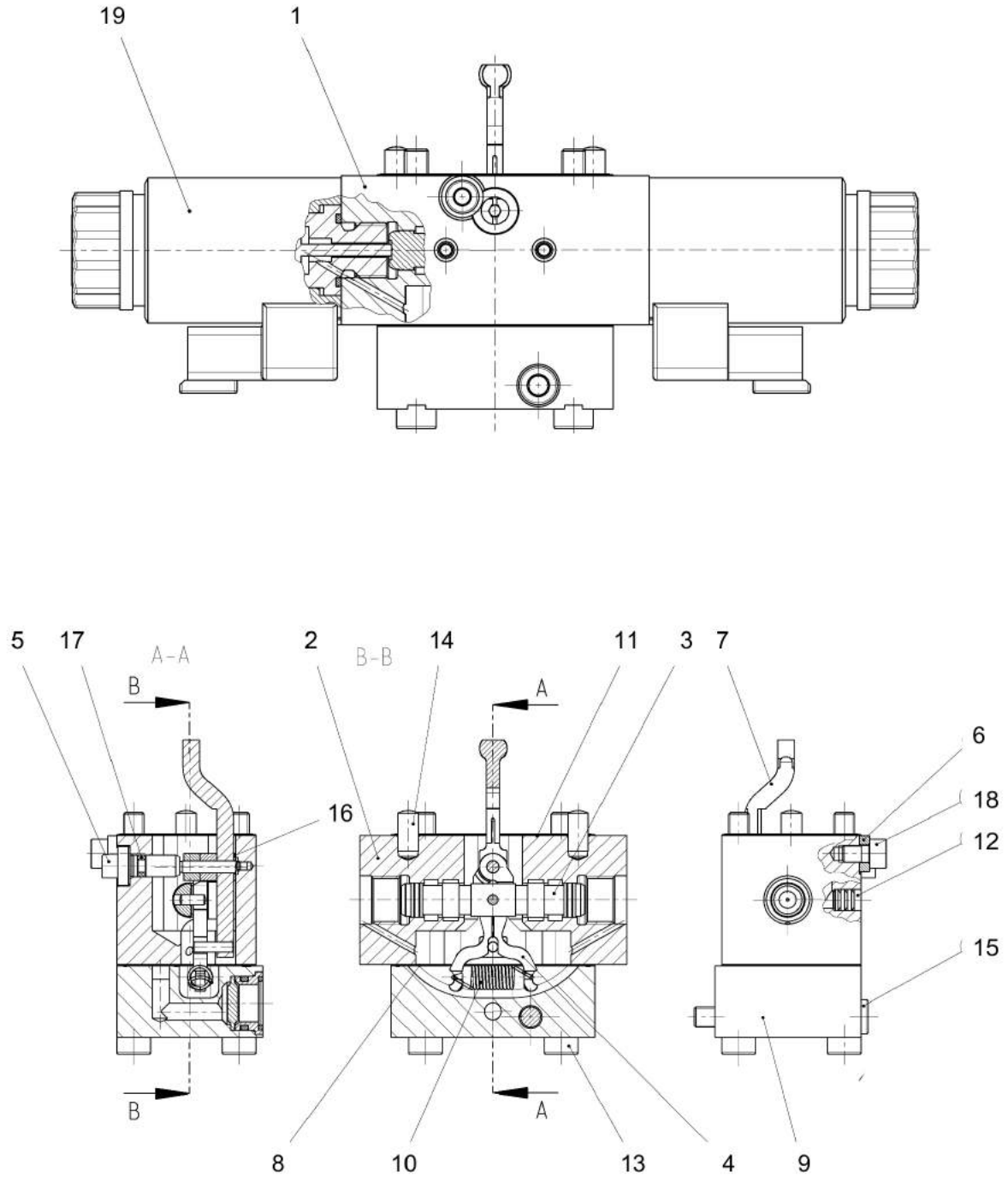
Item	Part No.	Name	Qty	L	SN INFO
0	-	Positioning piston, cpl	1		
1	--	Positioning piston	1		
2	--	Rod	1		
3	--	Cover	1		
5	--	Assembly ring	2		
6	--	Spring collar	1		
7	--	Spacer ring	2		
8	--	Pressure spring	1		
10	--	Spring collar	1		
11	4700902642	O-ring	1		
12	--	Retaining ring	1		
13	4812157097	O-ring	1		
16	4700902688	Screw	4		
17	-	Hexagon nut	1		
20	4812157859	O-ring	2		
30	4812157794	Guide ring	2		
31	-	Rod seal kit	2		
98	4700909758	Seal kit hydraulic control	1		

4812112177 Hydraulic pump, vibration Port plate with valves



Item	Part No.	Name	Qty	L	SN INFO
1	-	Pressure override valve	1		
60	--	Locking screw	1		
61	--	Valve bushing	1		
62	--	Control piston	1		
63	--	Piston	1		
64	--	Valve piston	1		
65	--	Poppet seat	1		
66	--	Compression spring	1		
67	--	Spring collar	1		
68	--	Adjusting screw	1		
69	4700902783	O-ring	1		
70	--	Sealing nut	1		
2	-	Pressure relief valve	2		
71	--	Locking screw	1		
72	--	Valve collar	1		
73	--	Valve spring	1		
74	--	Spring loading nut	1		
75	--	Compression spring	1		
76	--	Threaded pin	1		
77	4700927278	O-ring	1		
78	4812157799	Back-up ring	1		
79	--	Spring, cone-shaped	1		
3	4812158770	Locking set with orifice	1		
50	--	Locking screw	1		
51	4700927278	O-ring	1		
5	-	Port plate	1		
7	-	Socket head screw	4		
8	-	Cylinder pin	2		
11	-	Double break-off plug	7		
12	-	Locking screw	1		
13	-	Locking screw	3		
26	-	O-ring	2		
35	-	Locking screw	2		
44	-	Bearing bushing	1		
98	4812157798	Seal kit, port plate with valves	1		

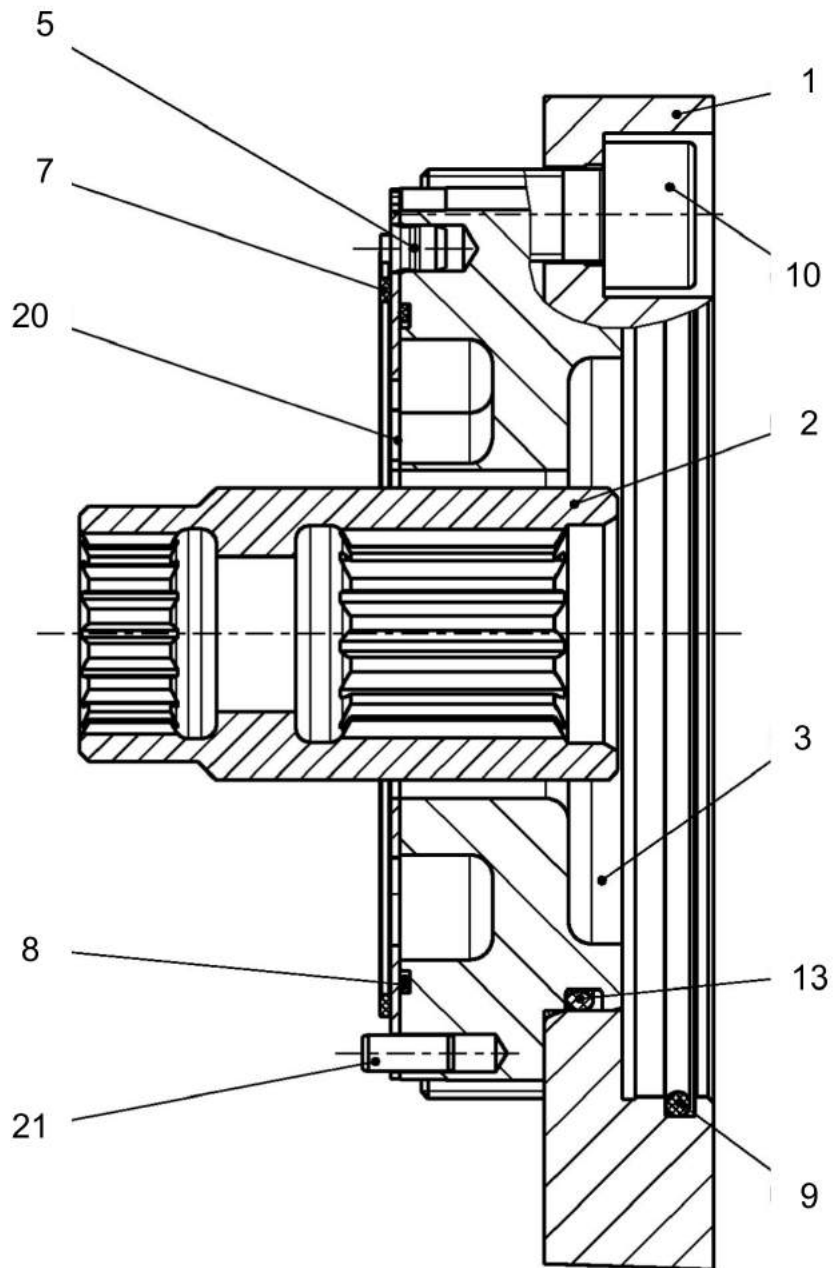
4812112177 Hydraulic pump, vibration Control module



Refer to Parts Online for the most up to date information. The printed information might be outdated.

Wed Apr 11 13:33:49 UTC 2018

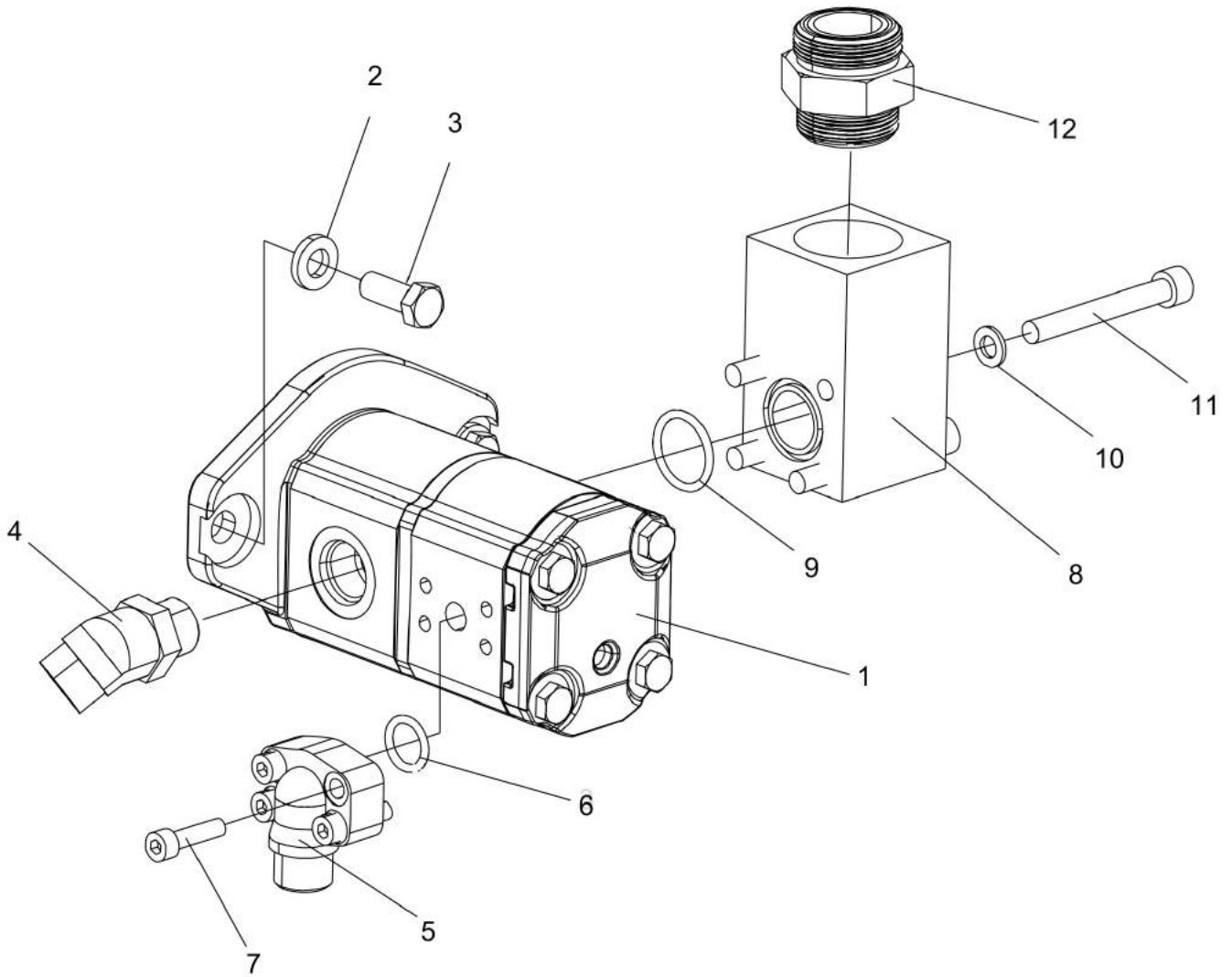
Item	Part No.	Name	Qty	L	SN INFO
1	D967502040	Modulation control	1		
2	--	Housing	1		
3	--	Control piston with cylinder pin	1		
4	--	Lever pair	1		
5	--	Eccentric pin	1		
6	--	Washer	1		
7	--	Feedback lever with needle roller	1		
8	4812157155	Gasket	1		
9	--	Cover with filter	1		
10	--	Draw spring	1		
11	4812156599	Gasket	1		
12	--	Seal plug	2		
13	4700935210	Screw	4		
14	--	Cylinder pin	2		
15	--	Socket head screw	1		
16	--	Washer	1		
17	4812157156	O-ring	1		
18	--	Socket head screw	1		
19	4812156151	Proportional solenoid	2		
98	D967536871	Seal kit	1		

4812112177 Hydraulic pump, vibration Bell Housing

Refer to Parts Online for the most up to date information. The printed information might be outdated.

Wed Apr 11 13:33:49 UTC 2018

Item	Part No.	Name	Qty	L	SN INFO
1	-	Flange	1		
2	-	Coupling	1		
3	-	Seal ring	1		
5	-	Plug1	2		
7	-	Seal	1		
8	-	O-ring	1		
9	-	O-ring	1		
10	-	Screw	4		
13	4812157852	O-ring	1		
20	-	Plate	1		
21	-	Pin	1		

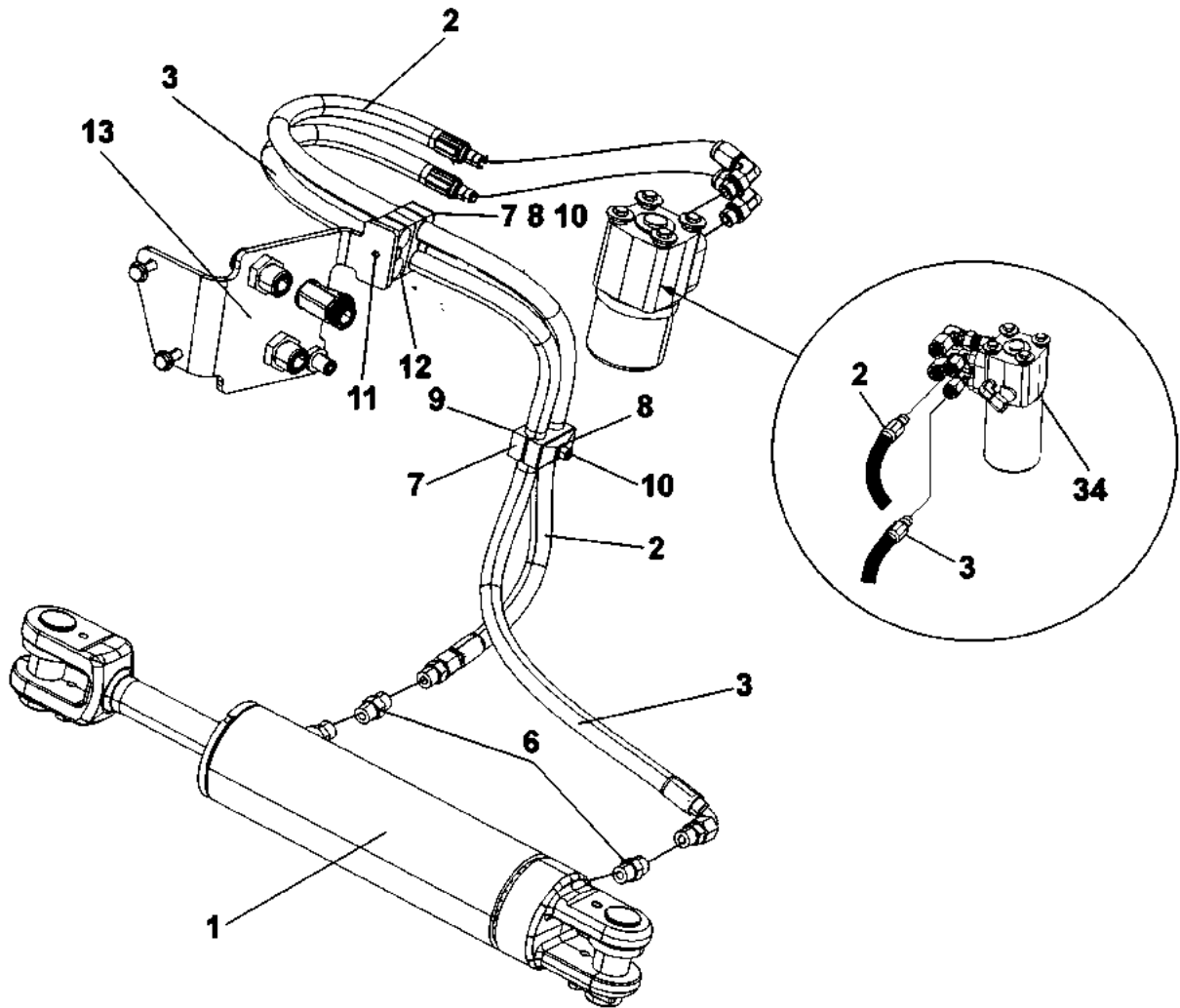
Hydraulic system, engine room Adjustable frequency, ECO Hydraulic pump module

Refer to Parts Online for the most up to date information. The printed information might be outdated.

Wed Apr 11 13:33:50 UTC 2018

Item	Part No.	Name	Qty	L	SN INFO
1	4812112185	Hydraulic pump, steering	1		
2	4700904231	Washer, 13x24x2 mm 300 HV	2		
3	4700500046	Hex. head screw M12x030H	2		
4	4700791230	Adapter	1		
5	4812113633	Flange connector	1		
6	4700904774	O-ring	1		
7	4700508048	Hexagon socket head cap screw M	4		
8	4812116589	Hydraulic block	1		
9	4700904005	O-ring	1		
10	4700904637	Washer	4		
11	4700500090	Screw	4		
12	4812114189	Adapter	1		

Hydraulic system, steering Hydraulic system, steering



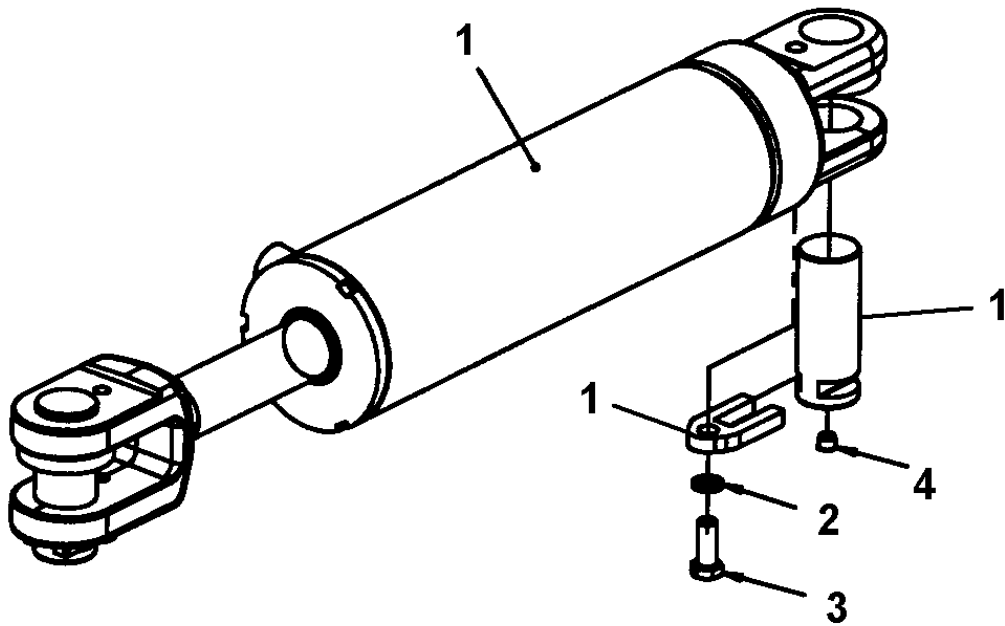
Item	Part No.	Name	Qty	L	SN INFO
1	-	Hydraulic Cylinder	1		
2	4812115542	Hydraulic hose	1		
3	4812115541	Hydraulic hose	1		
5	4700904623	Hose guard	1XL	A	
6	4700791799	Straight connector orfs	2		
7	4700903456	Pipe clamp	2		
8	4700904872	Cover plate	2		
9	4700792500	Stud	1		
10	4700902286	Lock nut, M8x1.25 mm A2K	2		
11	4700791807	Stud	1		
12	4700287295	Clamp	1		
13	-	Bracket	1		
34		Steering valve module	1		
34	-	Emergency steering valve module	1		

Comments for Page: Hydraulic system, steering

(L)OCAL REMARKS

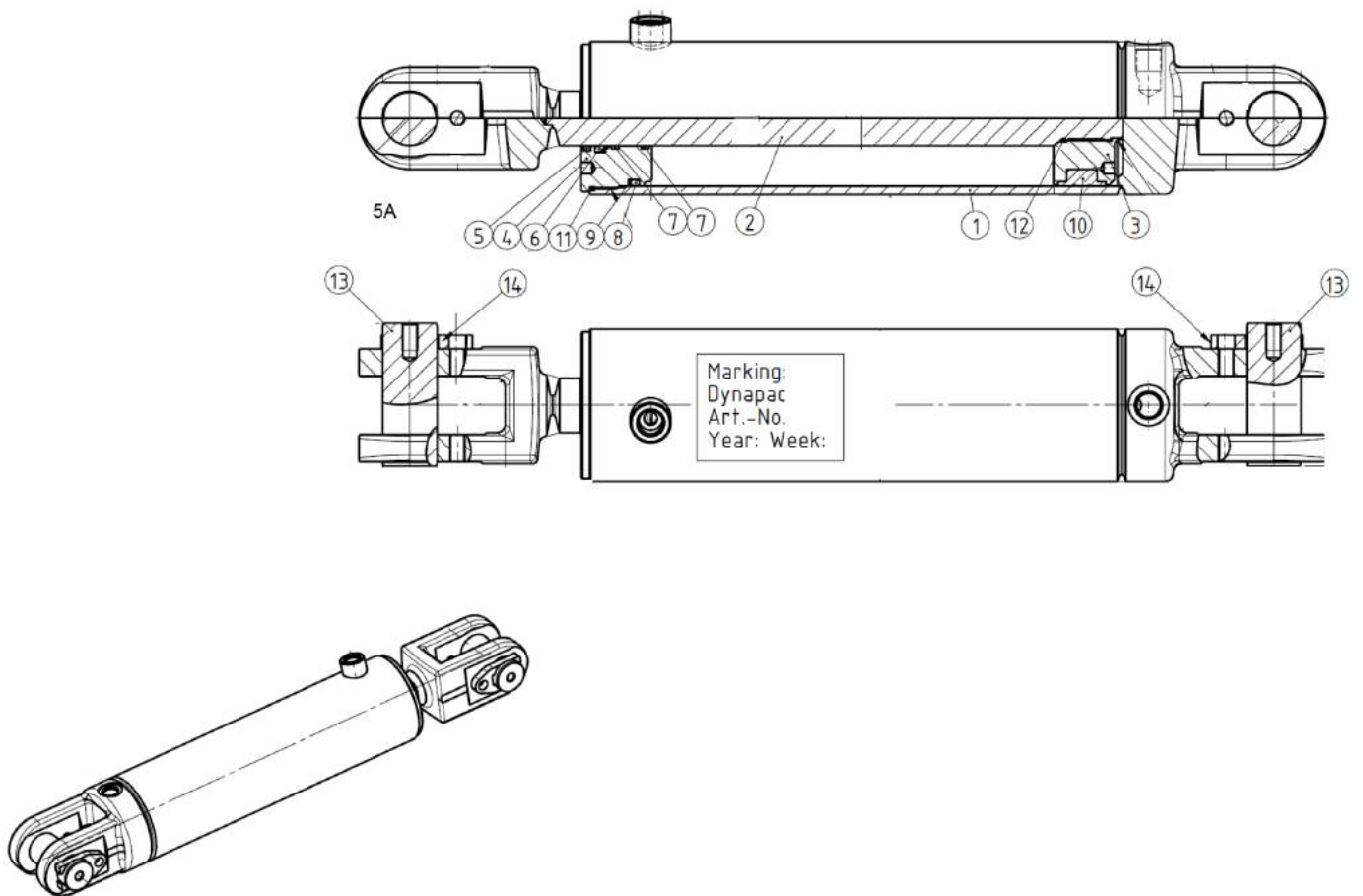
A | en_US | L=0.4m

Hydraulic system, steering Hydraulic cylinder



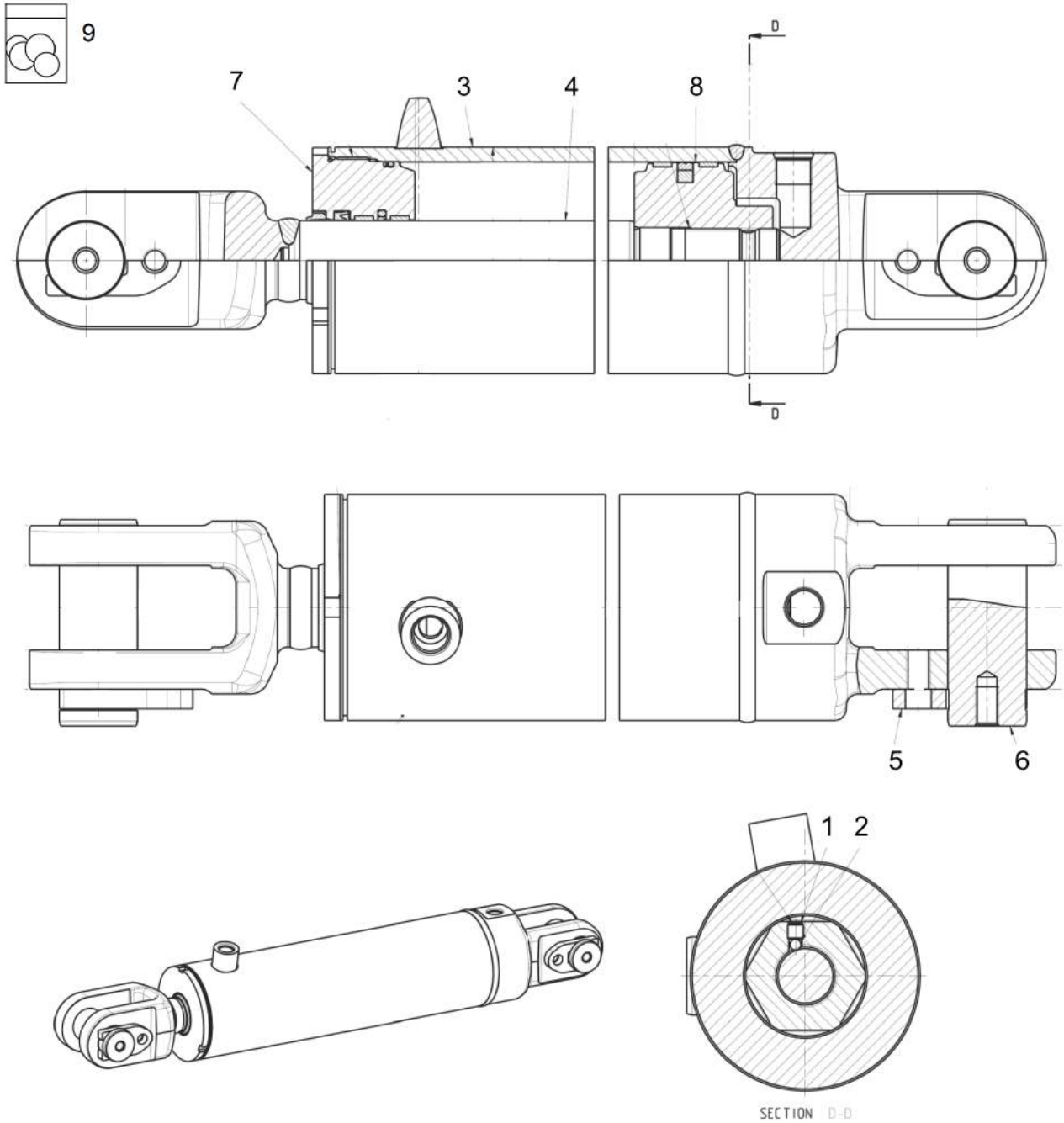
Item	Part No.	Name	Qty	L	SN INFO
1	4812112508	Hydraulic cylinder	1		
1	4812120830	Hydraulic cylinder	1		
1	4812121947	Hydraulic cylinder	1		
2	4700900994	Lock washer	2		
3	4700500046	Hex. head screw M12x030H	2		
4	4700792083	Plug	2		

Hydraulic system, steering 4812121947 Hydraulic cylinder



Item	Part No.	Name	Qty	L	SN INFO
0	4812121947	Hydraulic cylinder	1		
1	--	Cylinder pipe	1		
2	--	Piston rod	1		
3	--	Piston	1		
4	--	Guide block	1		
5A	4700950417	Seal kit	1		
5	---	Wiper	1		
6	---	Rod seal	1		
7	---	Guide Ring	2		
8	---	O-ring	1		
9	---	Backup ring	1		
10	---	Piston seal	1		
11	---	O-ring	1		
12	---	O-ring	1		
13	--	Pin	2		
14	--	Washer	2		

Hydraulic system, steering 4812120830 Hydraulic cylinder

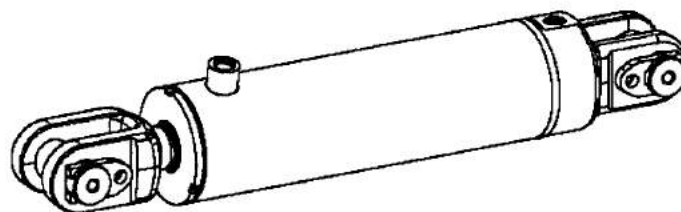
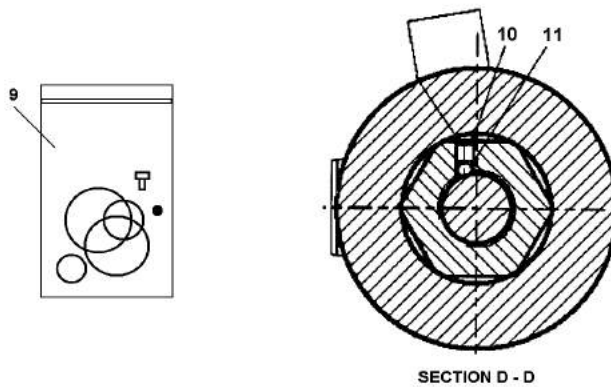
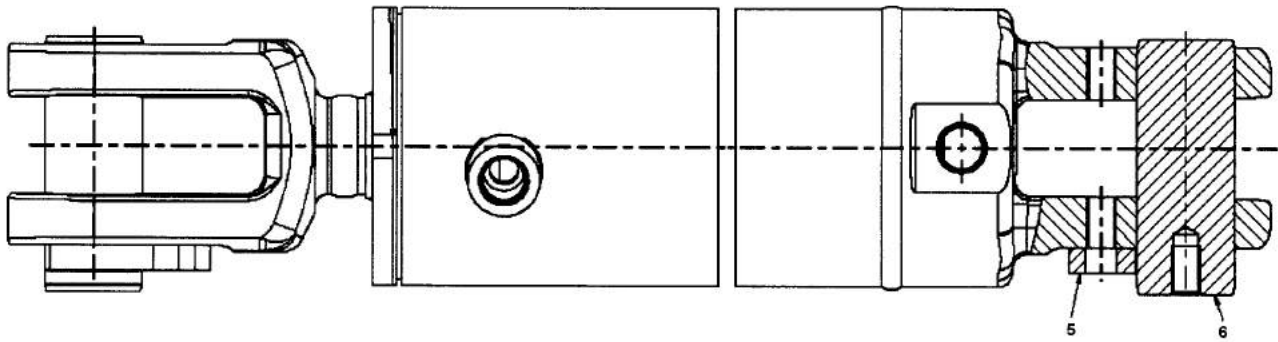
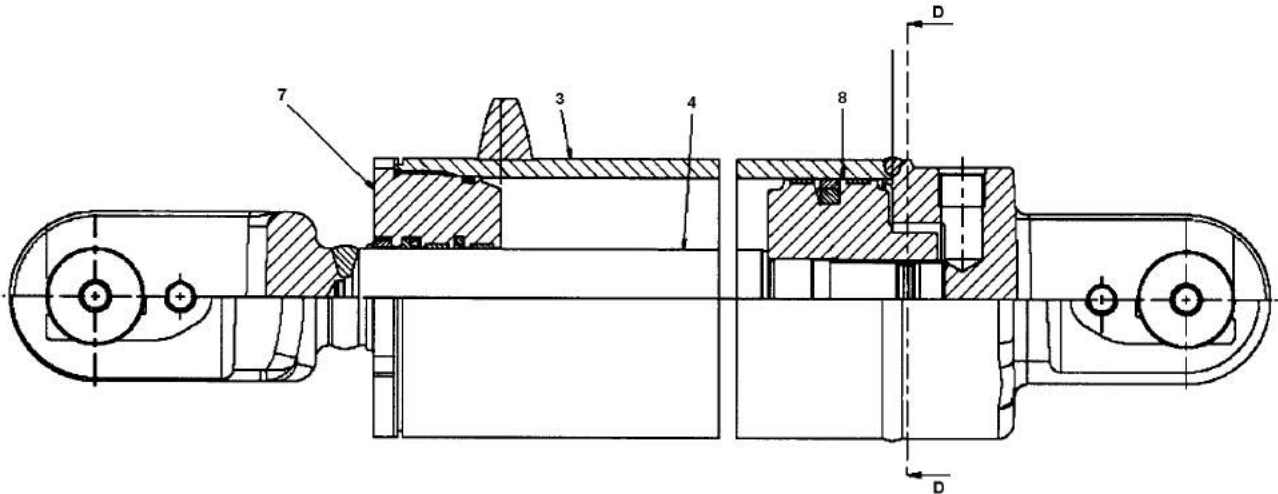


Refer to Parts Online for the most up to date information. The printed information might be outdated.

Wed Apr 11 13:33:51 UTC 2018

Item	Part No.	Name	Qty	L	SN INFO
0	4812120830	Hydraulic cylinder	1		
1	--	Screw	1		
2	4812157758	Ball	1		
3	--	Cylinder tube	1		
4	--	Rod seal	1		
5	4812157759	Locking fork	2		
6	4812157760	Locking pin	2		
7	--	Cylinder head	1		
8	--	Piston	1		
9	4812157761	Seal kit	1		

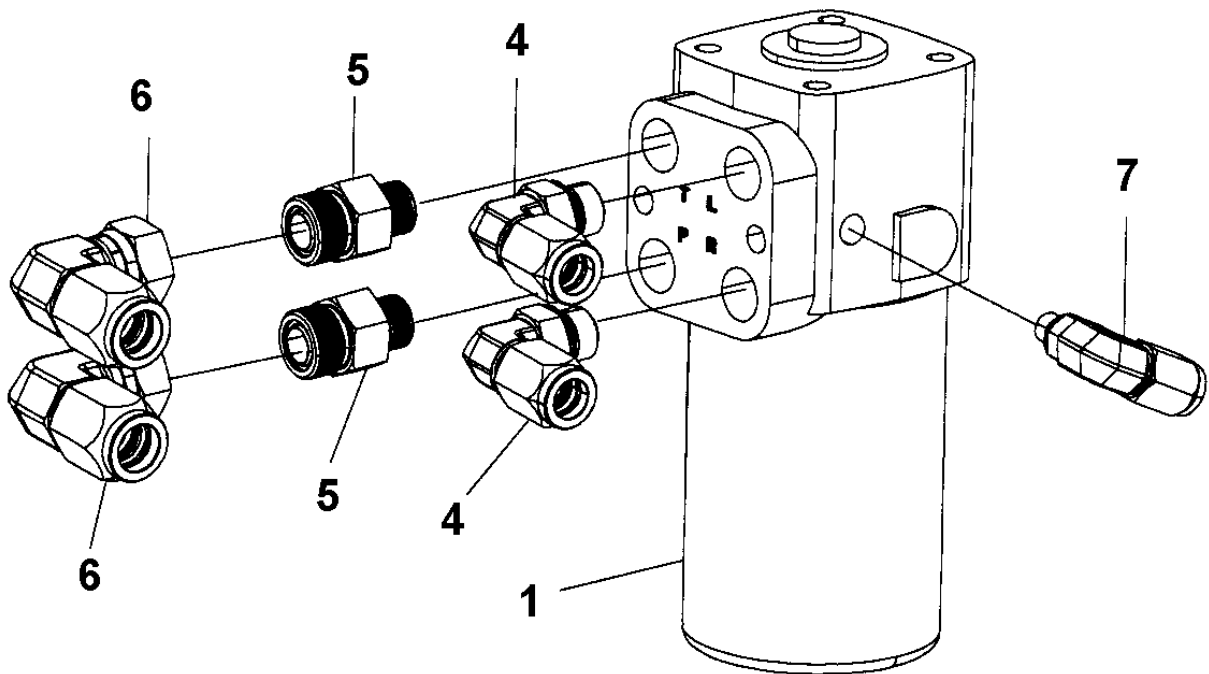
Hydraulic system, steering 4812112508 Hydraulic cylinder



Refer to Parts Online for the most up to date information. The printed information might be outdated.

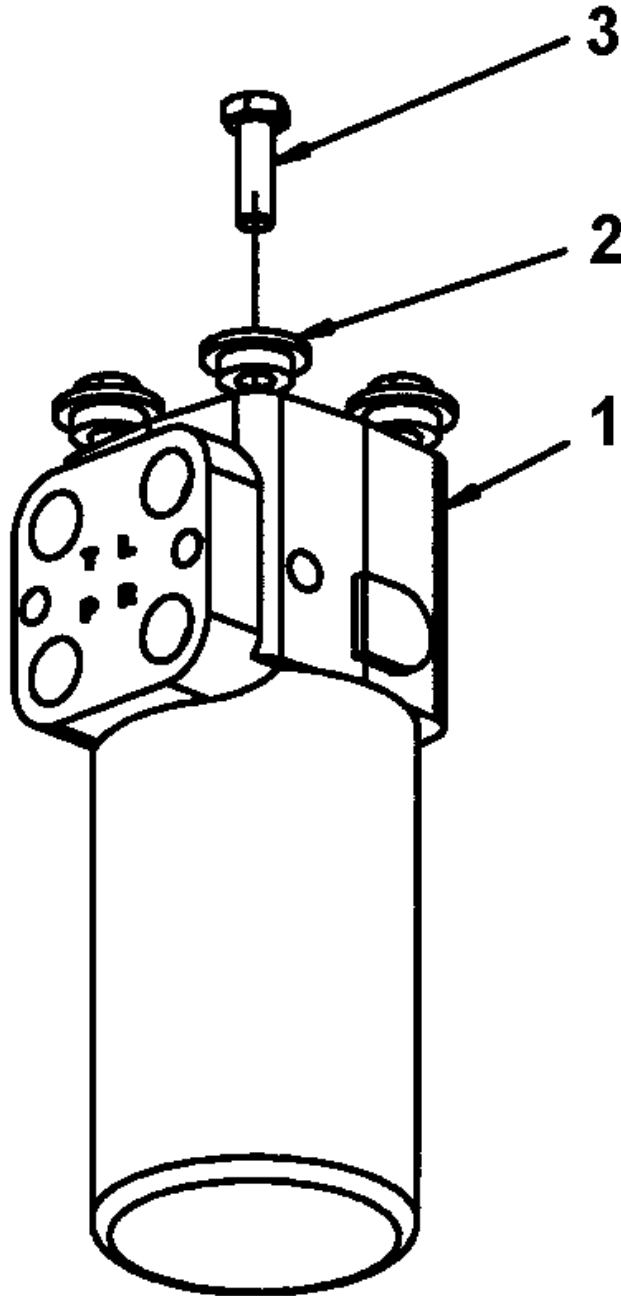
Wed Apr 11 13:33:51 UTC 2018

Item	Part No.	Name	Qty	L	SN INFO
3	-	Cylinder tube	1		
4	-	Rod seal	1		
5	4812157759	Locking fork	2		
6	4812157760	Locking pin	2		
7	-	Cylinder Head	1		
8	-	Piston	1		
9	4812157761	Seal kit	1		
10	-	Screw	1		
11	4812157758	Ball	1		

Hydraulic system, steering Steering valve module

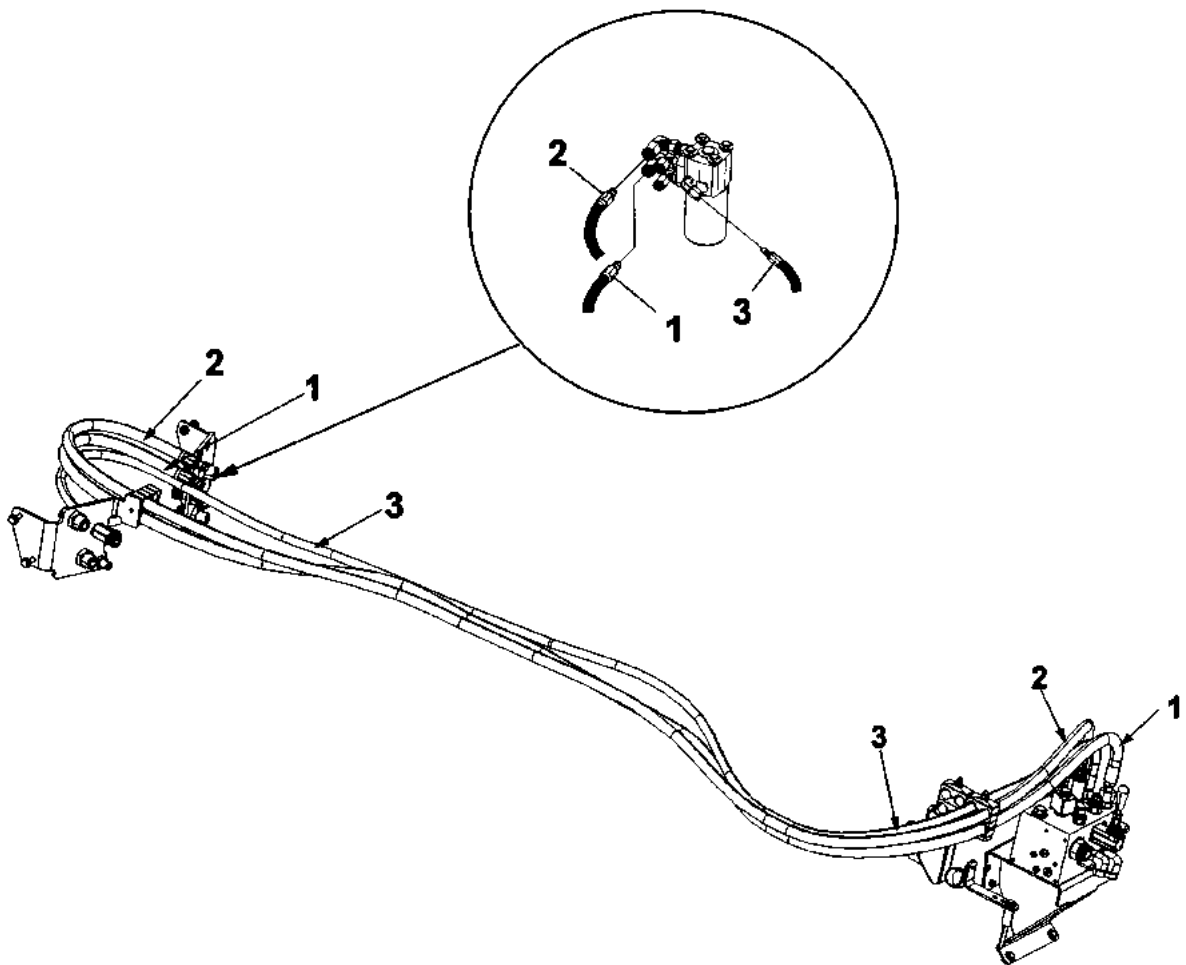
Item	Part No.	Name	Qty	L	SN INFO
1	4700394318	Pilot valve, steering	1		
4	4812115063	Elbow connector 90°	2		
5	4811000074	Straight connector orfs	2		
6	4812115064	Elbow connector 90°	2		
7	4812115065	Elbow connector 90°	1		

Hydraulic system, steering Steering valve module



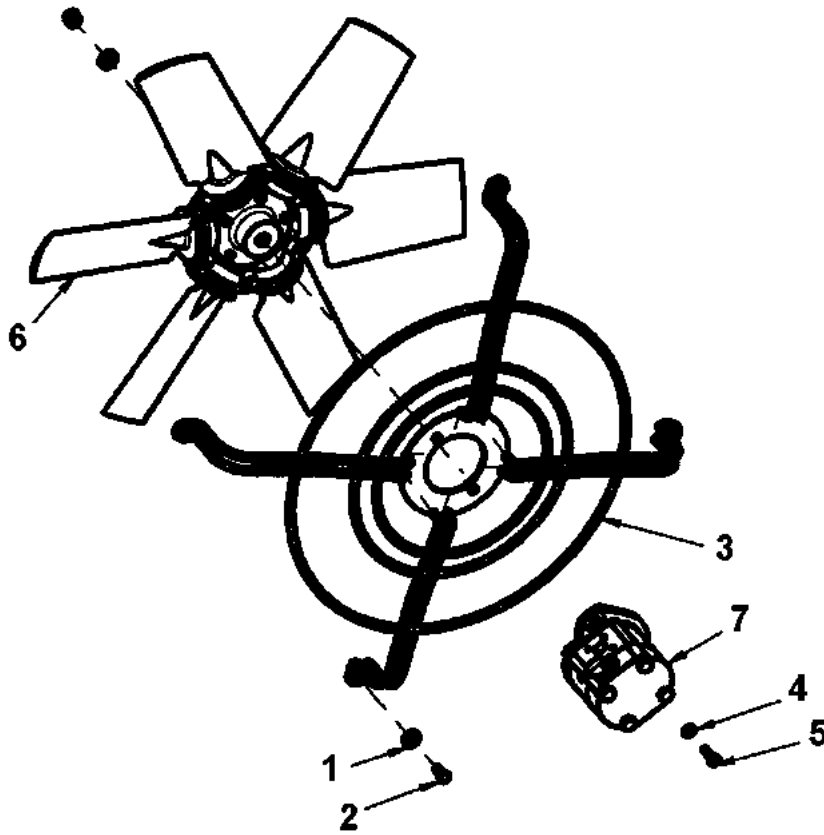
Item	Part No.	Name	Qty	L	SN INFO
1	4812120733	Pilot valve, (emergency steering CC)	1		
2	4700904557	Washer, 10.5x22x4 mm 300 HV	4		
3	4700502035	Screw 3/8"-16UNCx1 8.8	4		

Hydraulic system Hydraulic hoses, steering



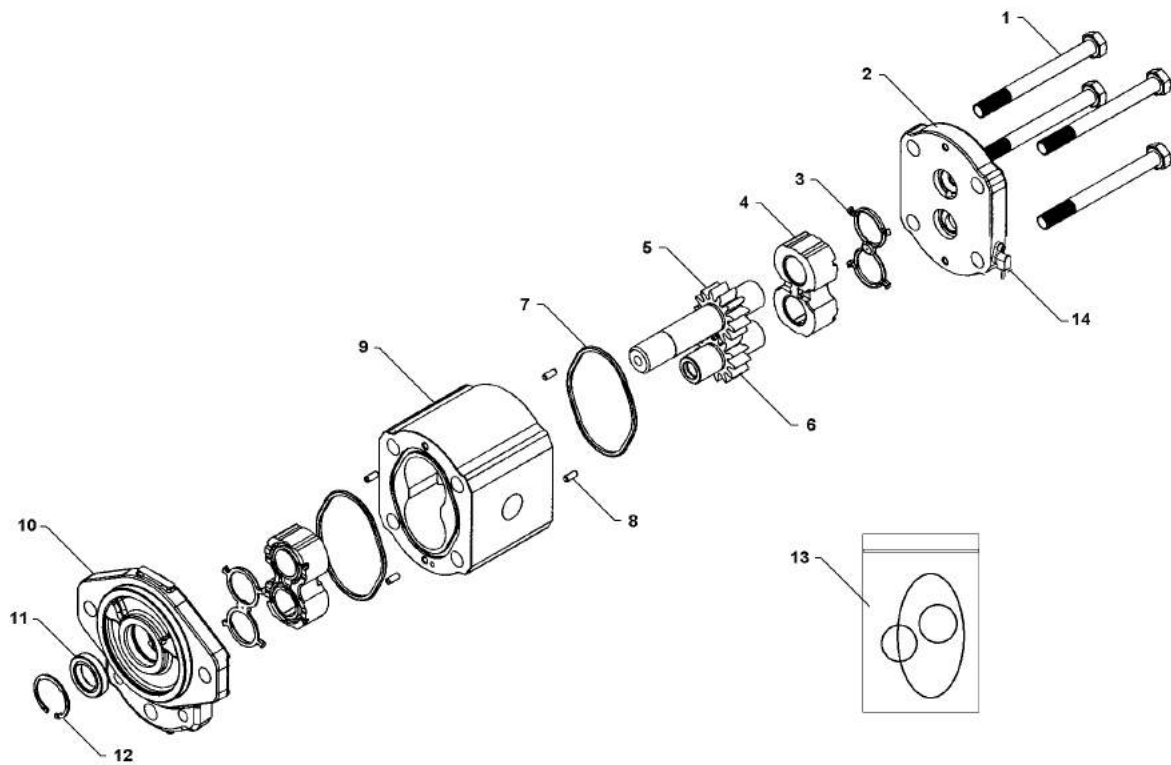
Item	Part No.	Name	Qty	L	SN INFO
1	4812118720	Hydraulic hose uptc	1		
2	4812118721	Hydraulic hose uptc	1		
3	4812118722	Hydraulic hose uptc	1		

Hydraulic system Fan module



Item	Part No.	Name	Qty	L	SN INFO
1	4700904640	Washer, 8.4x22x3 mm 300HV	4		
2	4700500053	Screw, M8x20 mm 8.8 A2K	4		
3	4812113678	Bracket	1		
4	4700904229	Washer, 8.4x 6x1.5 mm 300HV	2		
5	4700500021	Screw, M8x25 mm 8.8 A2K	2		
6	4812113679	Fan	1		
7	4812116231	Hydraulic motor, fan	1		

Hydraulic system 4812116231 Hydraulic motor



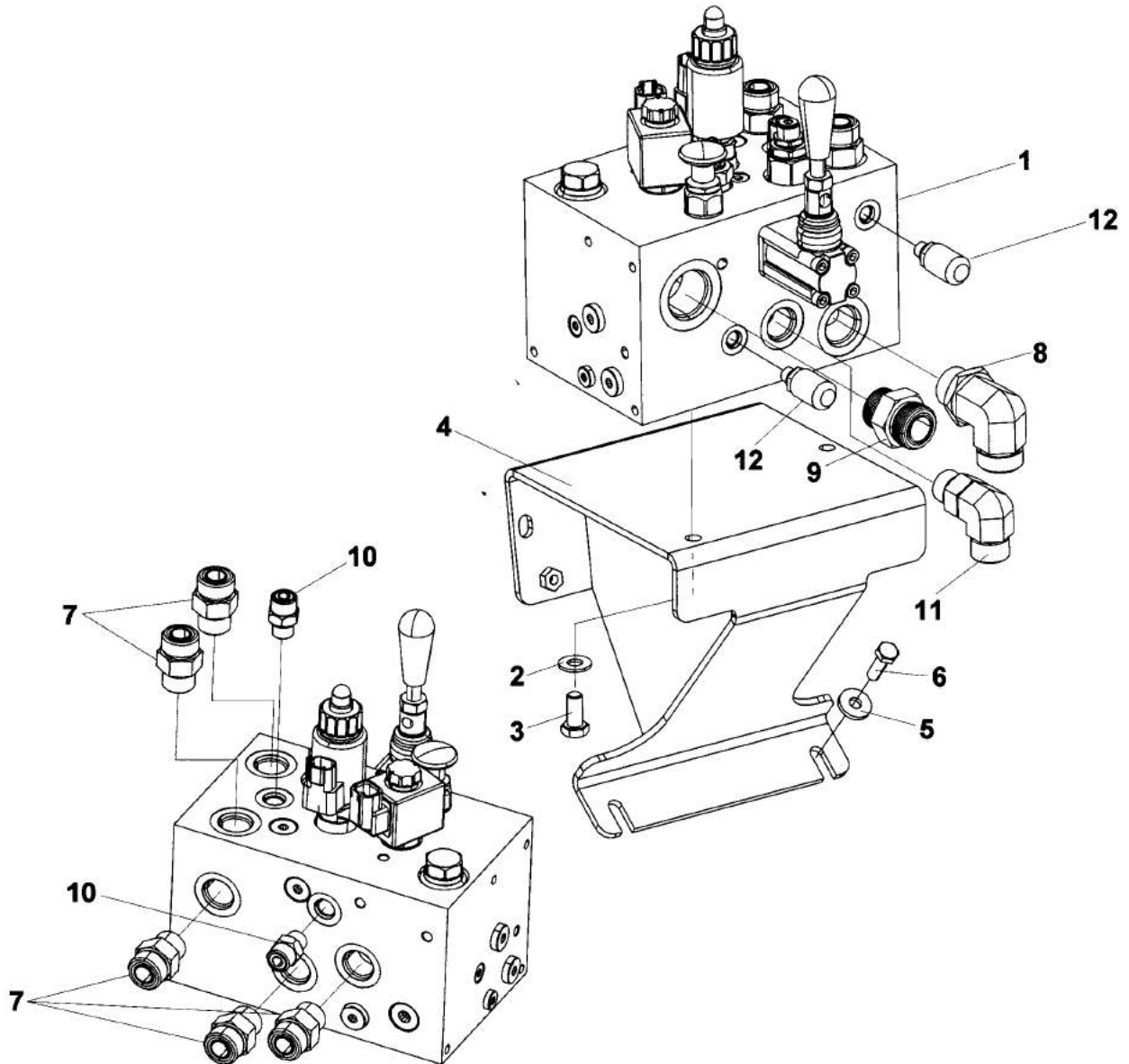
Item	Part No.	Name	Qty	L	SN INFO
-	4812116231	Hydraulic motor, fan	1		
1	--	Screw	4		
2	--	End cover	1		
3	--	Seal	2	A	
4	--	Bearing block	2		
5	--	Drive gear	1		
6	--	Idler gear	1		
7	--	Shaft seal	2	A	
8	--	Dowel pin	4		
9	--	Gear housing	1		
10	--	Mounting flange	1		
11	--	Shaft seal	1	A	
12	--	Snap ring	1		
13	4700903431	Seal kit	1		
14	4812159763	Sensor w cable	1		

Comments for Page: 4812116231 Hydraulic motor

(L)OCAL REMARKS

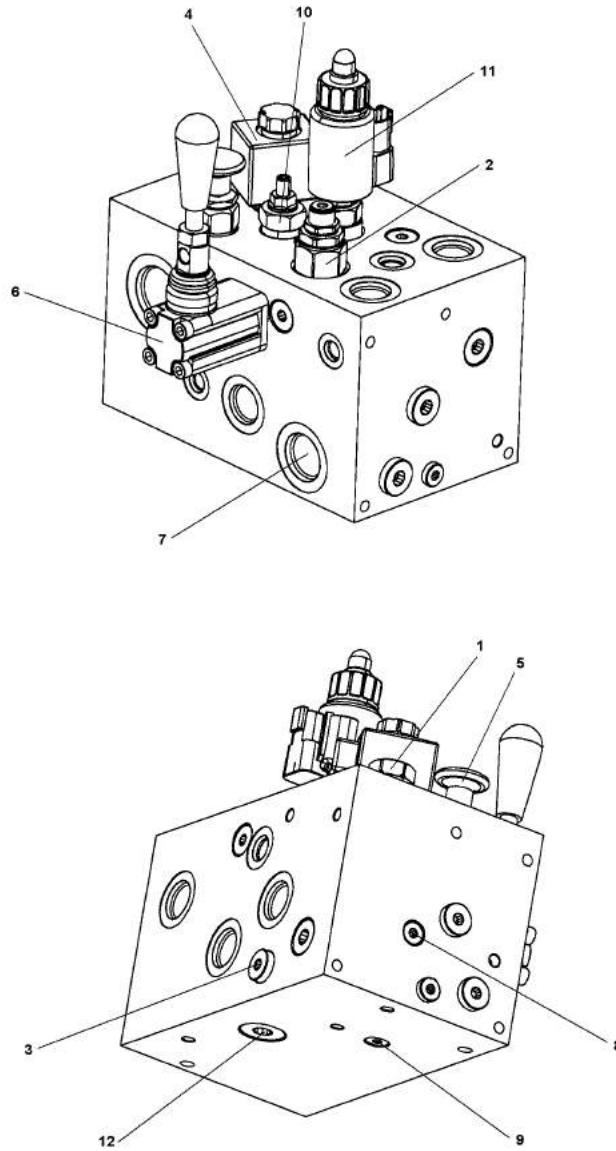
A | en_US | Included in seal kit.

Hydraulic system Hydraulic valve module

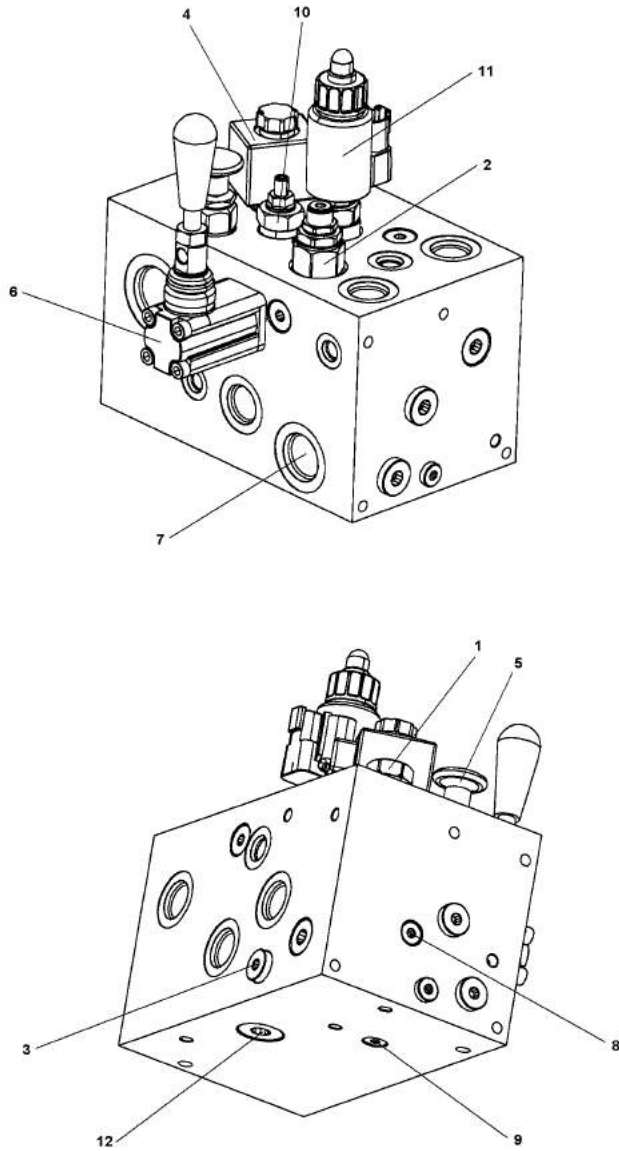


Item	Part No.	Name	Qty	L	SN INFO
1	4812112238	Hydraulic valve	1		To A016662 incl. 16751 - 16753
1	4812120840	Hydraulic valve	1		From A016663 excl. 16751 - 16753
2	4700904230	Plain washer 10.5x22x2 mm	2		
3	4700500027	Screw M10-1,55x22 8.8	2		
4	4812114434	Bracket	1		
5	4700904640	Washer, 8.4x22x3 mm 300HV	4		
6	4700500021	Screw, M8x25 mm 8.8 A2K	4		
7	4700791743	Straight connector orfs	5		
8	4700791231	Adapter	1		
9	4700792339	Adapter	1		
10	4700791409	Straight connector orfs	2		
11	4700791843	Elbow 90, O-ring with swivel	1		
12	4700910162	Measuring nipple	2		

Hydraulic system 4812120840 Hydraulic valve

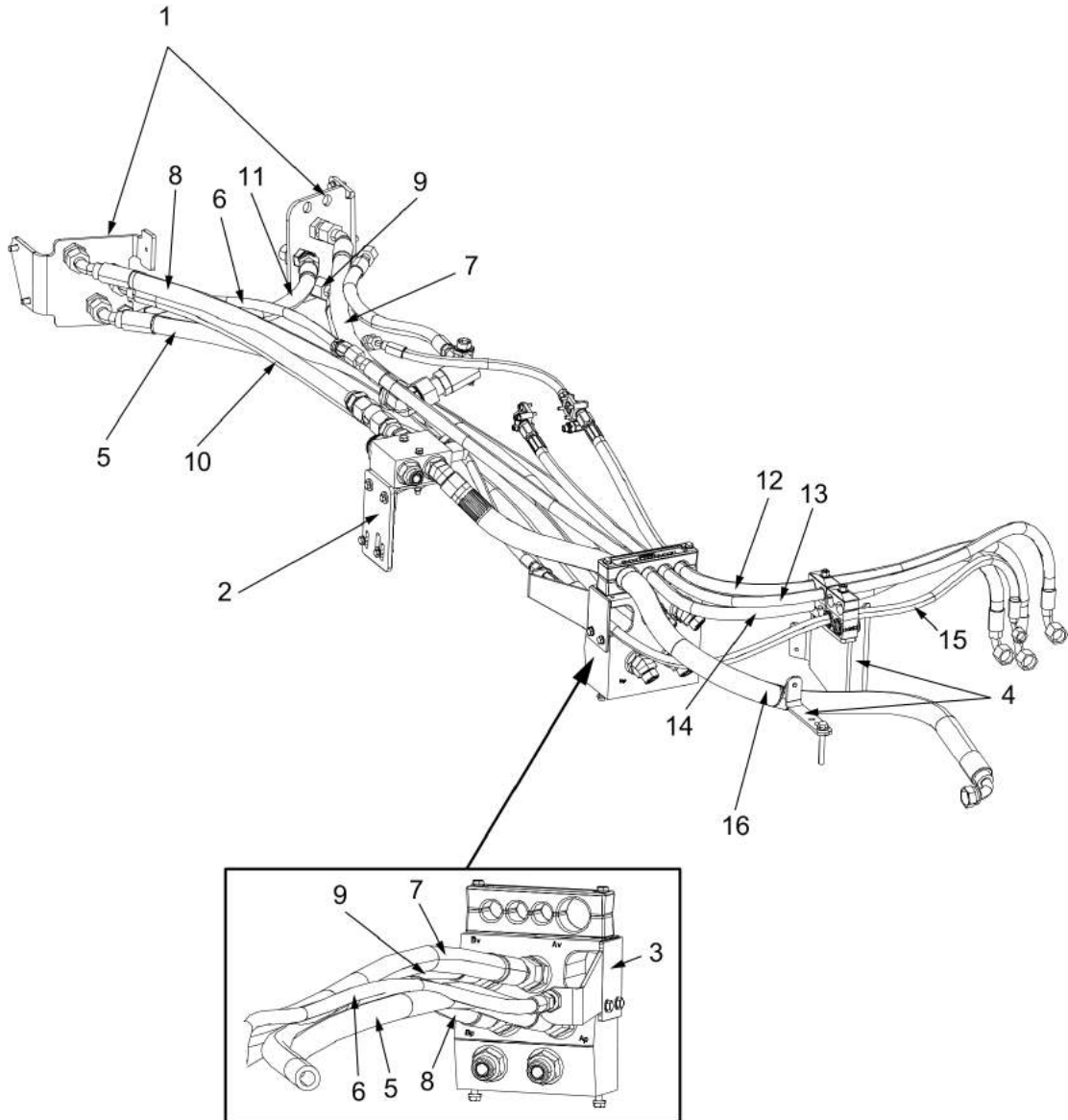


Item	Part No.	Name	Qty	L	SN INFO
0	4812120840	Hydraulic valve	1		
1	4812157654	Pressure compensator	1		
2	-	Pressure relief valve	1		
3	4812157681	Shuttle valve	1		
4	4812157770	Electric 3/2 valve	1		
4	4812157771	Coil	1		
5	4812157682	2/2 Valve	1		
6	4812157772	Hand pump	1		
6	4812157773	Kit manual lever	1		
7	-	Orifice	1		
8	4812157684	Orifice	1		
9	4812157685	Orifice	1		
10	4812157686	Brake pressure relief valve	1		
11	4812157687	Proportional pressure relief valve	1		
11	4812160654	Coil	1		
12	-	Check valve	1		

Hydraulic system 4812112238 Hydraulic valve

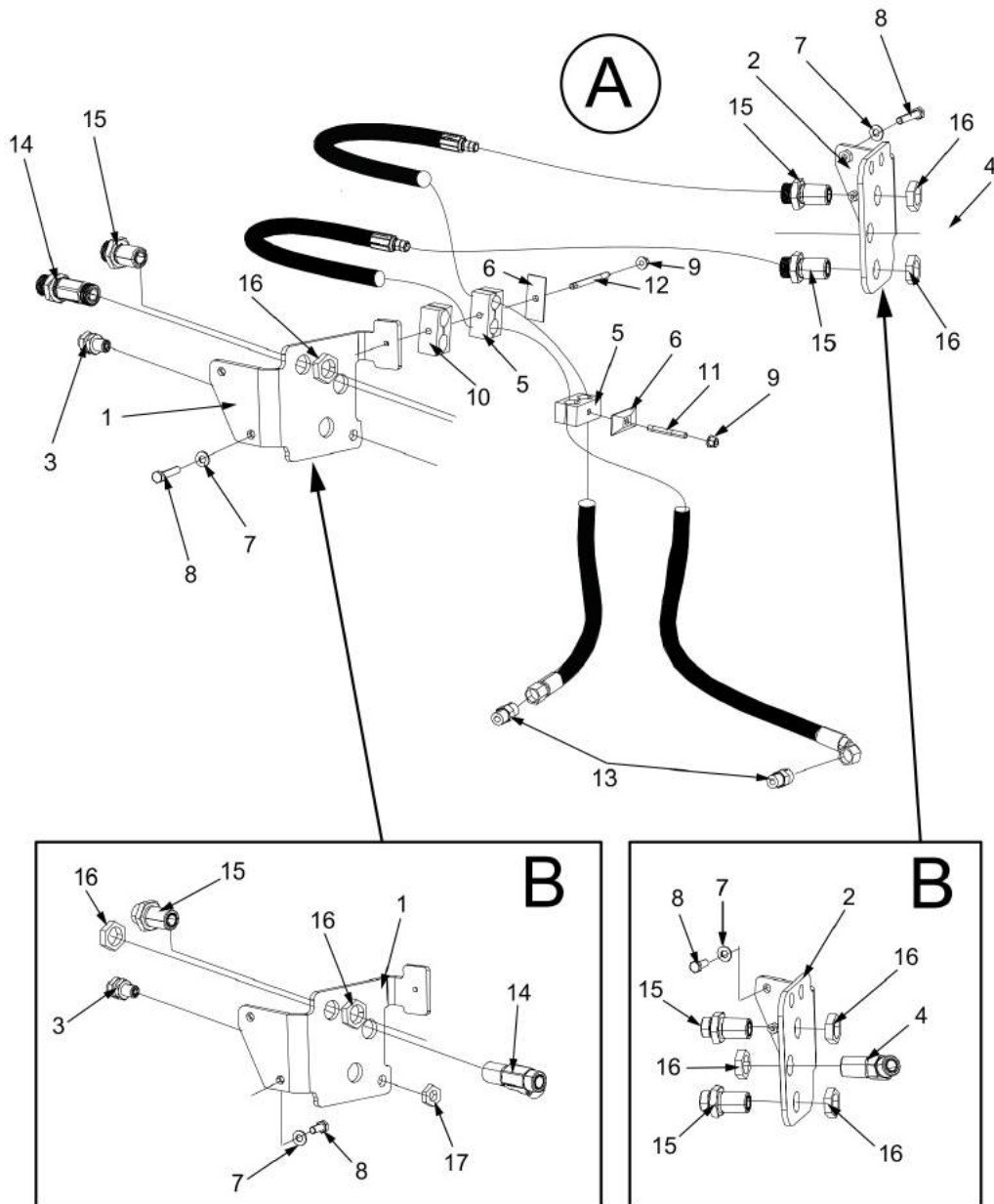
Item	Part No.	Name	Qty	L	SN INFO
0	4812112238	Hydraulic valve	1		
1	4812157654	Pressure compensator	1		
2	4812157655	Pressure relief valve	1		
3	4812157681	Shuttle valve	1		
4	4812157770	Electric 3/2 valve	1		
4	4812157771	Coil	1		
5	4812157682	2/2 Valve	1		
6	4812157772	Hand pump	1		
6	4812157773	Kit manual lever	1		
7	4812157683	Orifice	1		
8	4812157684	Orifice	1		
9	4812157685	Orifice	1		
10	4812157686	Brake pressure relief valve	1		
11	4812157687	Proportional pressure relief valve	1		
11	4812160654	Coil	1		
12	4812157688	Check valve	1		

Hydraulic system, frame rear Hydraulic system, rear frame



Item	Part No.	Name	Qty	L	SN INFO
1	-	Connector kit	1		
2	-	Connector kit, Junction block	1		
3	-	Connection kit, Dividing block	1		
4	-	Connection kit, frame	1		
5	4812127127	Hydraulic hose	1		
6	4812115347	Hydraulic hose	1		
7	4812127126	Hydraulic hose	1		
8	4812127126	Hydraulic hose	1		
9	4812127127	Hydraulic hose	1		
10	4812115344	Hydraulic hose	1		
11	4812115572	Hydraulic hose	1		
12	4812118713	Hydraulic hose	1		
13	4812118712	Hydraulic hose	1		
14	4812118709	Hydraulic hose	1		
15	4812118710	Hydraulic hose	1		
16	4812118711	Hydraulic hose	1		

Hydraulic system, frame rear Connector kit; Frame, dividing front



Item	Part No.	Name	Qty	L	SN INFO
1	4812115682	Bracket	1	A	To A013792
1	4812121590	Bracket	1	B	From A013793
2	4812115681	Bracket	1	A	To A013792
2	4812121589	Bracket	1	B	From A013793
3	4700791830	Adapter	1	A	To A013792
3	4812118866	Bulkhead union	1	B	From A013793
4	4811000261	Bulkhead elbow 45	1	A	To A013792
4	4812118868	Bulkhead union	1	B	From A013793
5	4700903456	Pipe clamp	2		
6	4700904872	Cover plate	2		
7	4700904230	Plain washer 10.5x22x2 mm	4		
8	4700500091	Screw	4	A	To A013792
8	4700500028	Screw, M10 x 25 mm 8.8 A3K	4	B	From A013793
9	4700902286	Lock nut, M8x1.25 mm A2K	2		
10	4700287295	Clamp	1		
11	4700792500	Stud	1		
12	4700791807	Stud	1		
13	4700791799	Straight connector orfs	2		
14	4812116279	Adapter	1	A	To A013792
14	4812121592	Adapter	1	B	From A013793
15	4700904580	Adapter	4	A	To A013792
15	4812121591	Adapter	4	B	From A013793
16	4700792454	Nut	4	A	To A013792
16-1	4700792454	Nut	6	B	From A013793
17	4700792451	Nut	1	B	From A013793

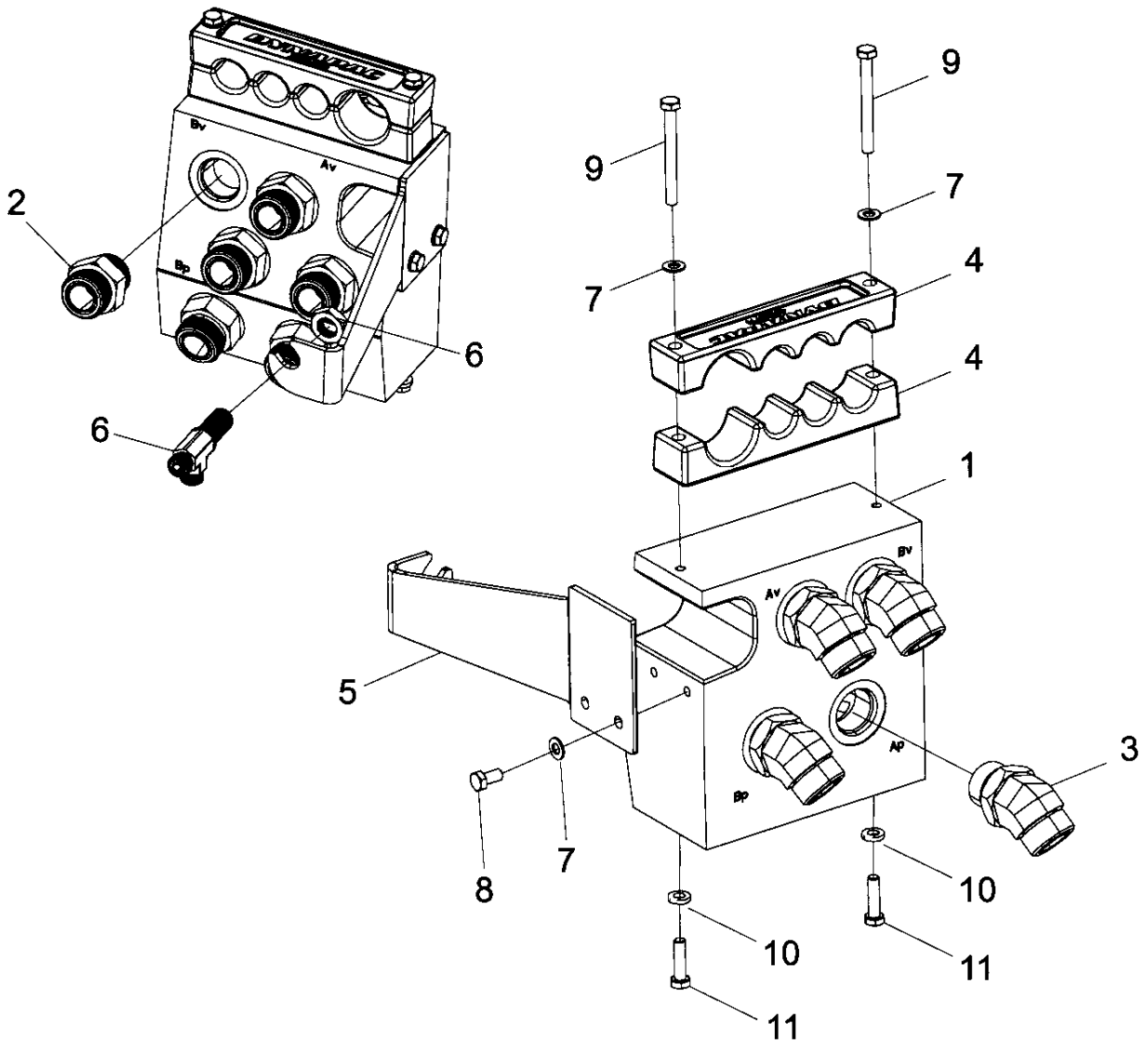
Comments for Page: Connector kit; Frame, dividing front

(L)OCAL REMARKS

A | See illustration A

B | See illustration B

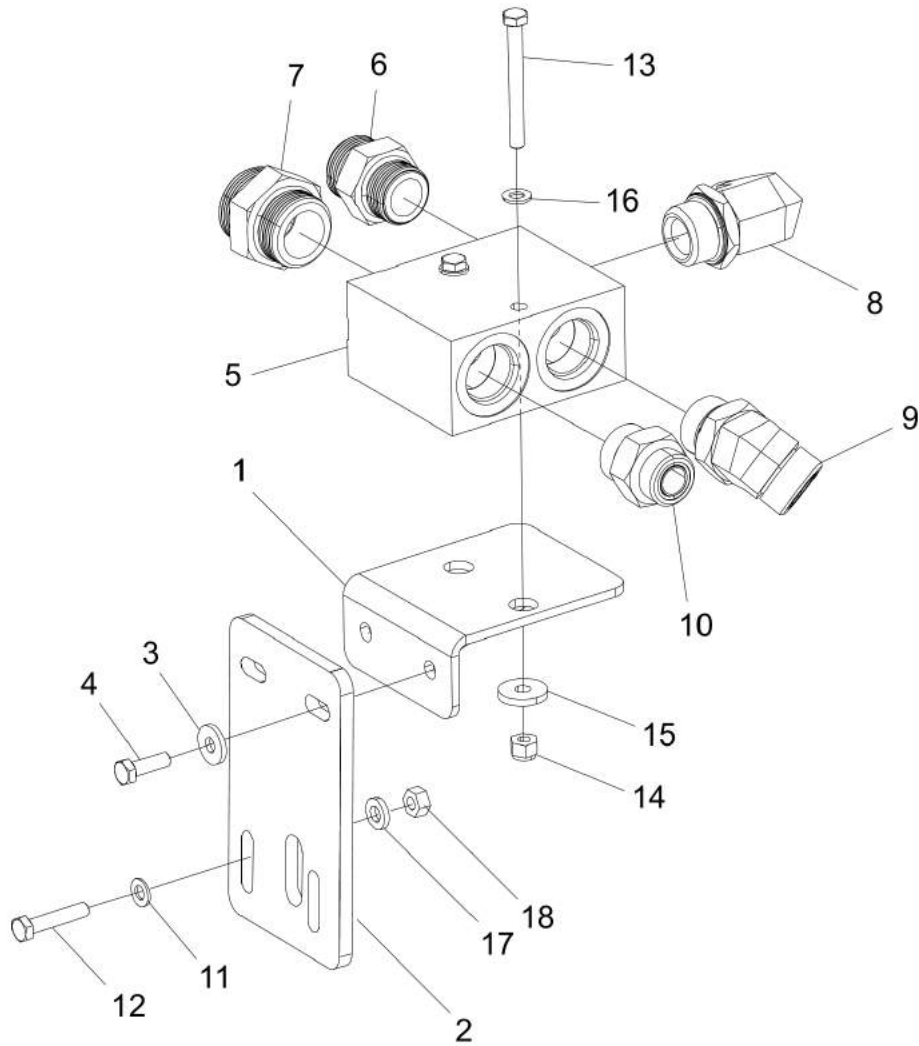
Hydraulic system, frame rear Connector kit



Refer to Parts Online for the most up to date information. The printed information might be outdated.

Wed Apr 11 13:33:54 UTC 2018

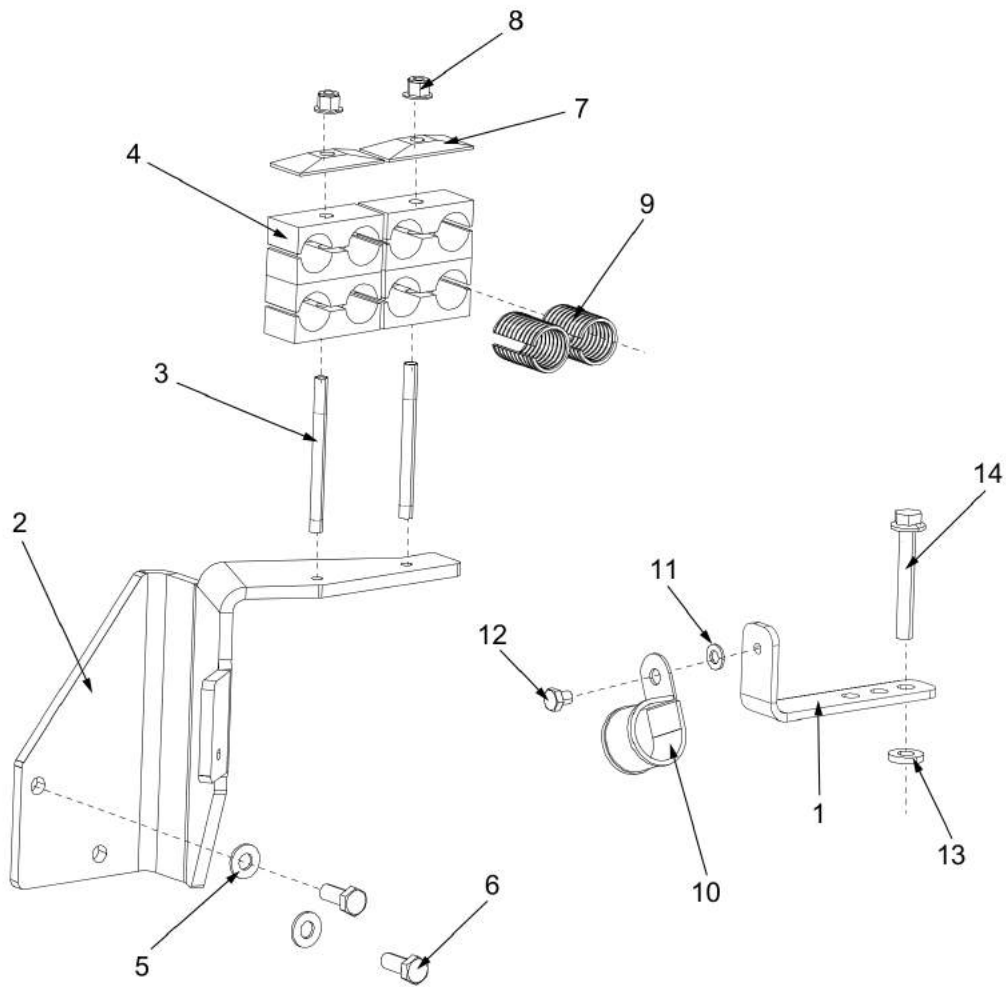
Item	Part No.	Name	Qty	L	SN INFO
1	4812111768	Hydraulic block	1		
2	4700791318	Adapter	6		
3	4700791859	Elbow 45 orfs	4		
4	4812111771	Hose holder	2		
5	4812111770	Holder	1		
6	4812114492	Bulkhead union	1		
7	4700904229	Washer, 8.4x 6x1.5 mm 300HV	4		
8	4700500019	Hexagon screw	2		
9	4700500090	Screw	2		
10	4700904556	Steel plain washer 8,4x16x3,0	2		
11	4700500021	Screw, M8x25 mm 8.8 A2K	2		

Hydraulic system, frame rear Connector kit

Refer to Parts Online for the most up to date information. The printed information might be outdated.

Wed Apr 11 13:33:55 UTC 2018

Item	Part No.	Name	Qty	L	SN INFO
1	4812115463	Holder	1		
2	4812121550	Holder	1		
3	4700904640	Washer, 8.4x22x3 mm 300HV	2		
4	4700500021	Screw, M8x25 mm 8.8 A2K	2		
5	4812111769	Hydraulic block	1		
6	4700792339	Adapter	1		
7	4812112555	Adapter	1		
8	4700792299	Adapter	1		
9	4700791212	Adapter	1		
10	4700791318	Adapter	1		
11	4700904229	Washer, 8.4x 6x1.5 mm 300HV	2		
12	4700500022	Screw	2		
13	4700500249	Screw	2		
14	4700586003	Lock nut M8	2		
15	4700904734	Washer, 8.4x26x4 mm 300 HV	2		
16	4700604005	Spring washer	2		
17	4700904556	Steel plain washer 8,4x16x3,0	2		
18	4700570005	Hexagon nut	2		

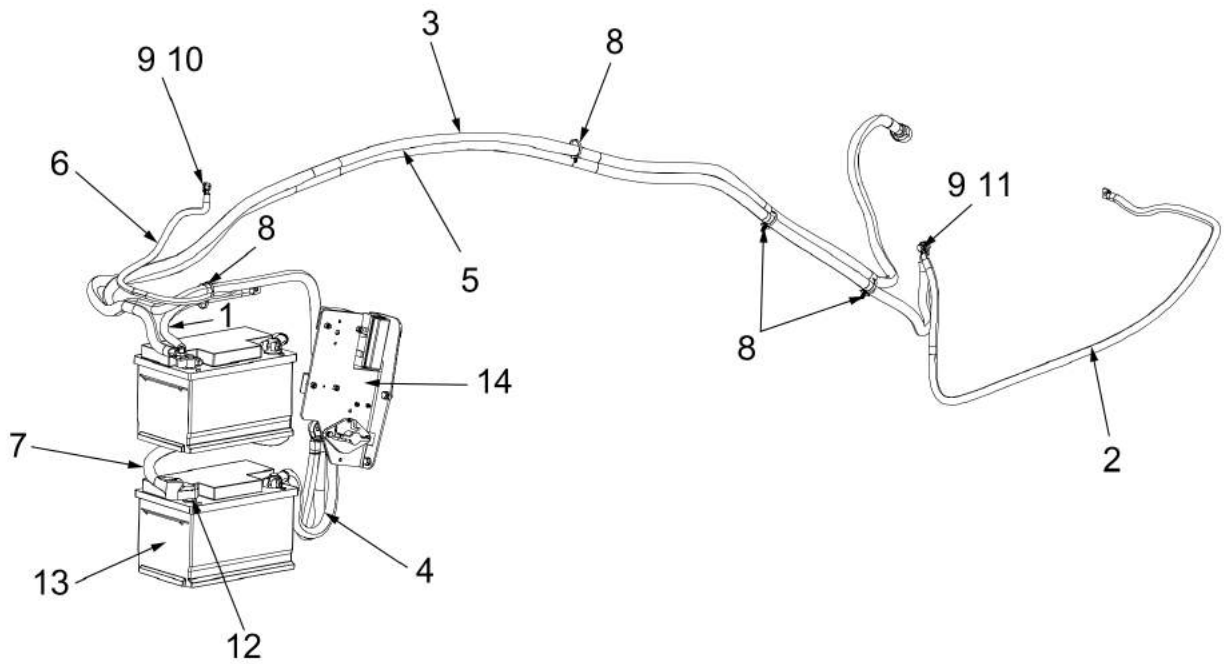
Hydraulic system, frame rear Connector kit, Frame

Refer to Parts Online for the most up to date information. The printed information might be outdated.

Wed Apr 11 13:33:55 UTC 2018

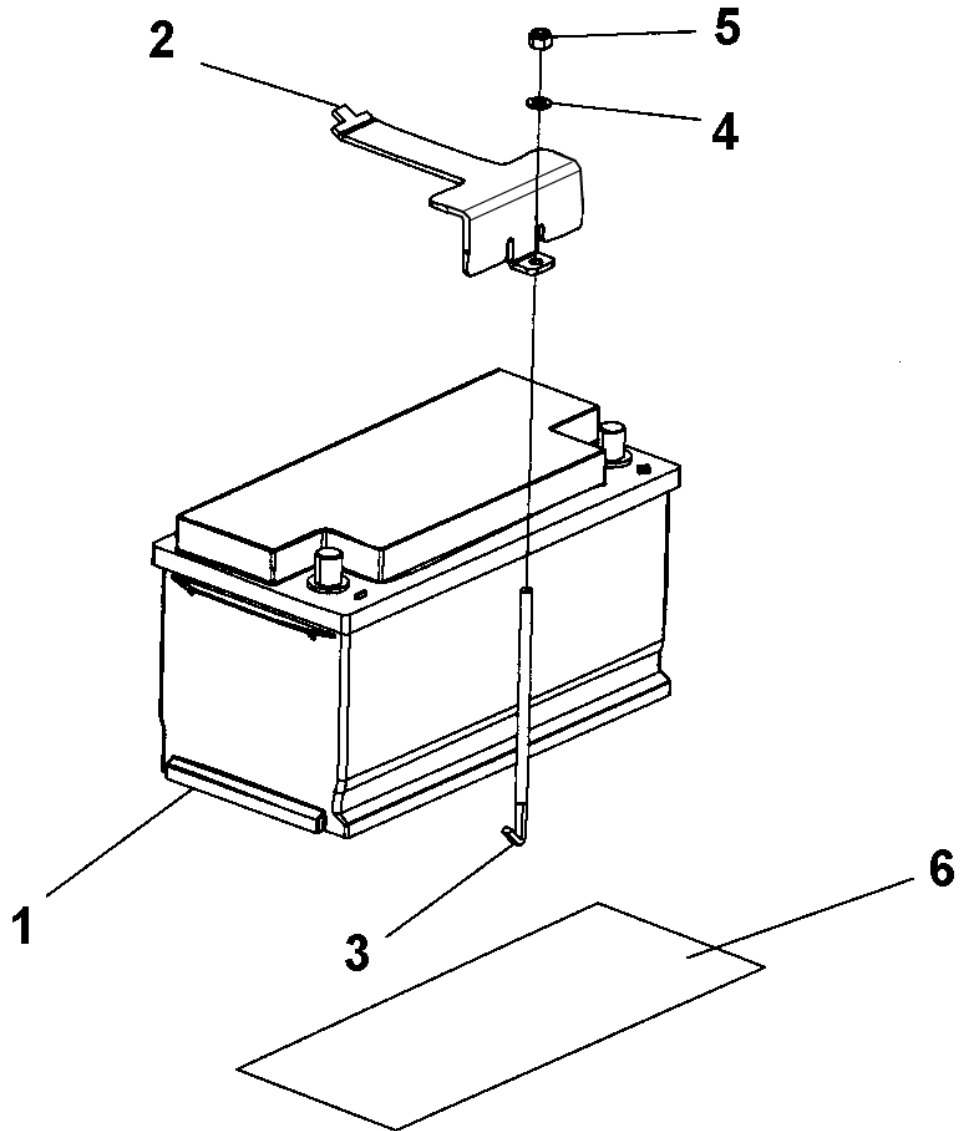
Item	Part No.	Name	Qty	L	SN INFO
1	4812118684	Bracket	1		
2	4812118685	Bracket	1		
3	4700791807	Stud	2		
4	4700287295	Clamp	3		
5	4700904230	Plain washer 10.5x22x2 mm	2		
6	4700500028	Screw, M10 x 25 mm 8.8 A3K	2		
7	4700904872	Cover plate	2		
8	4700902286	Lock nut, M8x1.25 mm A2K	2		
9	4812113941	Hose holder clip	2		
10	4700923008	Clamp	1		
11	4700904229	Washer, 8.4x 6x1.5 mm 300HV	1		
12	4700500042	Hex. head screw M8	1		
13	4700904557	Washer, 10.5x22x4 mm 300 HV	1		
14	4700792408	Screw	1		

Electric cables, power supply 1-pole Electric cables, power supply 1-pole

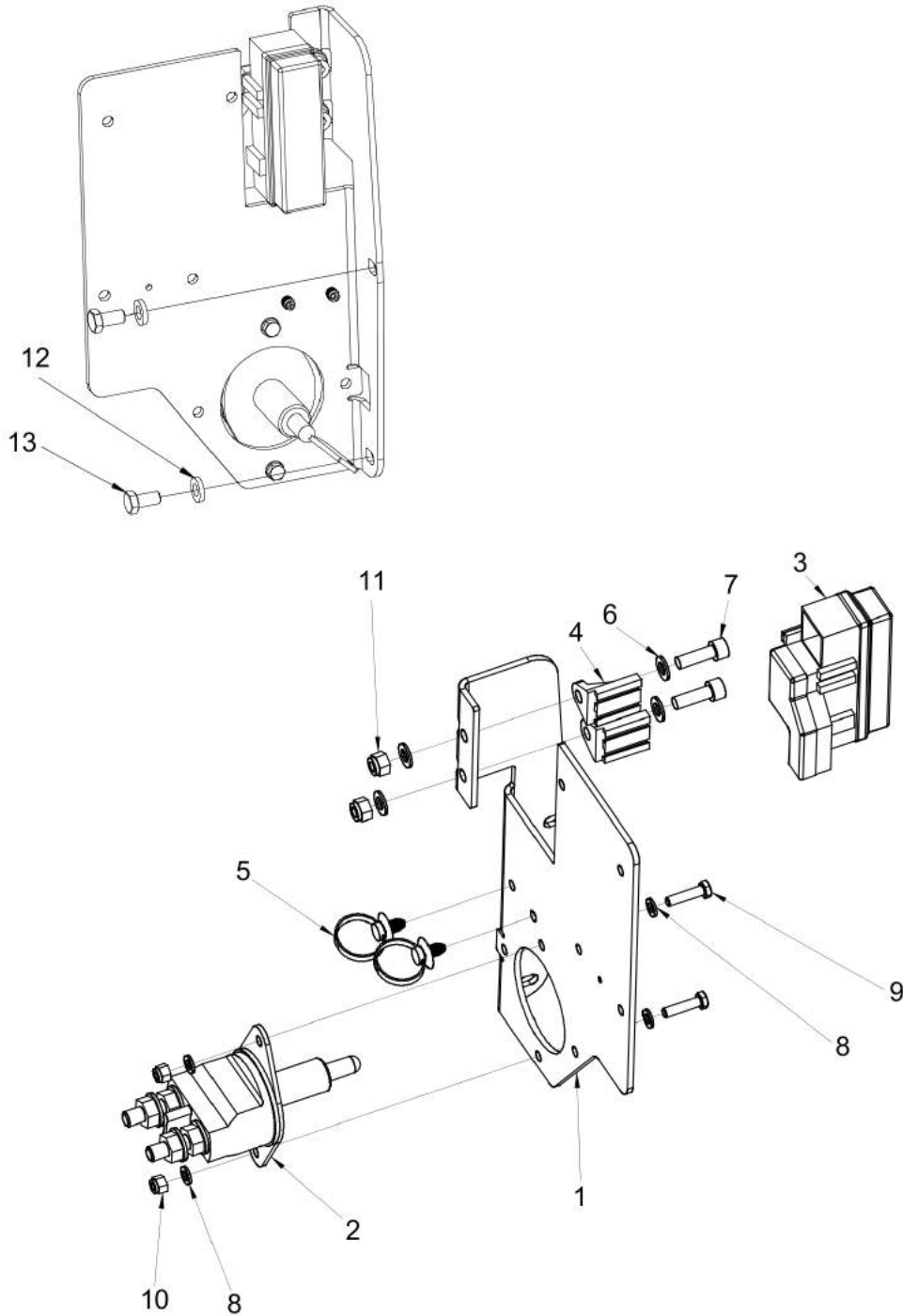


Item	Part No.	Name	Qty	L	SN INFO
1	4811000178	Connection cable, coarse	1		
2	4812118738	Connection cable, coarse	1		
3	4812120400	Connection cable, coarse	1		
4	4811000176	Battery cable	1		
5	4812118740	Battery cable	1		
6	4700791518	Connection cable, coarse	1		
7	4812118467	Battery union cable	1		
8	4700792441	Cable tie with holder	6		
9	4700904229	Washer, 8.4x 6x1.5 mm 300HV	2		
10	4700570005	Hexagon nut	1		
11	4700500053	Screw, M8x20 mm 8.8 A2K	1		
12	4812118154	Spacer	2		
13	-	Battery module	1		
14	-	Battery disconnecter module	1		

Electric cables, power supply 1-pole Battery module



Item	Part No.	Name	Qty	L	SN INFO
1	-	Battery 12V, 74 Ah (278x175x190)	1		
2	4812123035	Battery holder	1		
3	4700396635	Battery screw	1		
4	4700904229	Washer, 8.4x 6x1.5 mm 300HV	1		
5	4700586003	Lock nut M8	1		
6	4700355608	Slip protection	1		

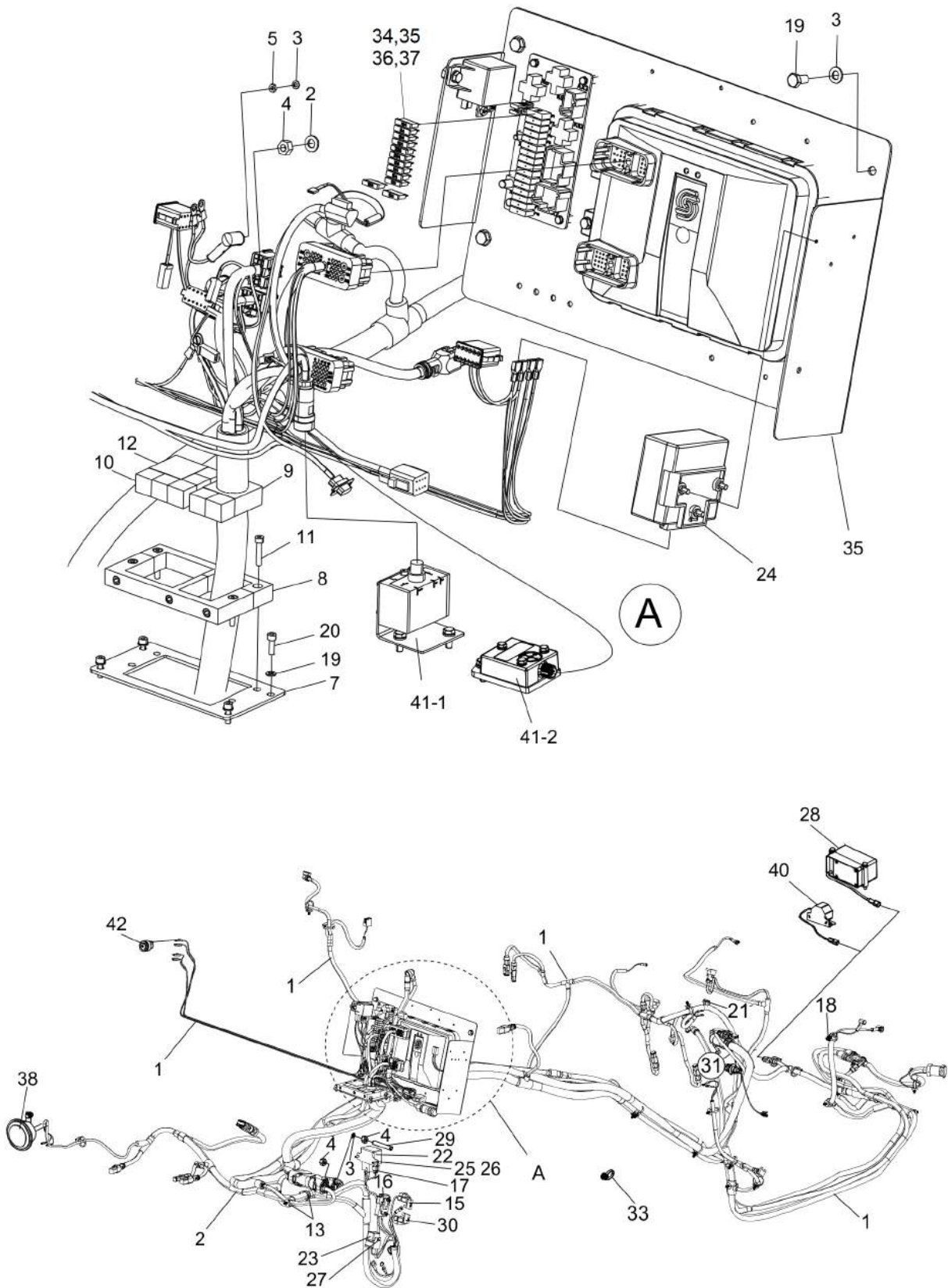
Electric cables, power supply 1-pole Battery disconnecter

Refer to Parts Online for the most up to date information. The printed information might be outdated.

Wed Apr 11 13:33:56 UTC 2018

Item	Part No.	Name	Qty	L	SN INFO
1	4812116861	Holder	1		
2	4700903640	Battery switch	1		
3	4812111981	Fuse holder	1		
4	4812112000	Fuse holder	2		
5	4700792441	Cable tie with holder	2		
6	4700904229	Washer, 8.4x 6x1.5 mm 300HV	4		
7	4700508019	Cylinder screw	2		
8	4700904228	Washer 6,4x12x1,5	4		
9	4700500075	Screw, M6-1,0x25 mm 8.8	2		
10	4700586002	Lock nut M6 -8	2		
11	4700586003	Lock nut M8	2		
12	4700904556	Steel plain washer 8,4x16x3,0	2		
13	4700500019	Hexagon screw	2		

Electrical cables, engine - ECU Horn, Back-up alarm Electric cables, engine-ECU, Horn, Back-up alarm



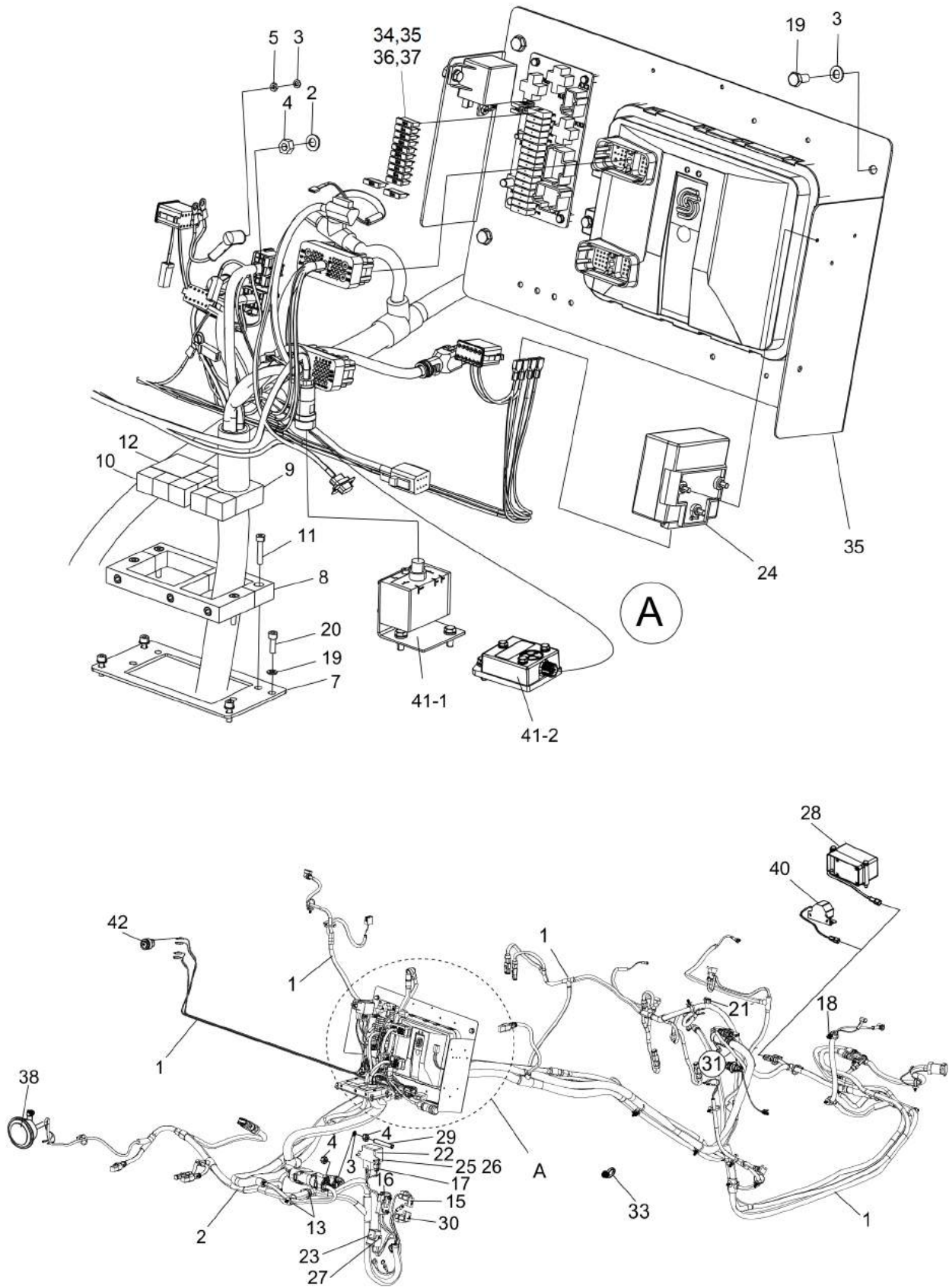
Refer to Parts Online for the most up to date information. The printed information might be outdated.

Wed Apr 11 13:33:57 UTC 2018

Item	Part No.	Name	Qty	L	SN INFO
1	4812116991	Cable harness	1		
2	4700904229	Washer, 8.4x 6x1.5 mm 300HV	3		
3	4700904698	Plain washer	1		
4	4700570005	Hexagon nut	4		
5	4700570002	Nut M4	1		
7	4812114426	Holder	1		
8	4812112065	Cable entry frame	1		
9	4812112067	Cable entry insert	1		
10	4812112066	Cable entry insert	7		
11	4700508023	Screw	4		
12	4812112070	Cable entry insert	1		
13	4700792441	Cable tie with holder	21		
15	4700904039	Fuse 50A Red	1		
16	4700904037	Fuse 30A Green	1		
17	4700902285	Nut	2		
18	4700792602	Cable tie with holder	1		
19	4700904281	Washer, 5,3x10x1 300HV	9		
20	4700926537	Screw	4		
21	4700792537	Cable tie with holder	1		
22	4700792310	Relay 120A	1		
23	4700792422	Relay 24V 20A	1		
24	-	Power converter module 24V / 12V DC	1		
25	4700904228	Washer 6,4x12x1,5	2		
26	4700500013	Screw, M6x16 mm 8.8 A2K	2		
27	4700792210	Screw torx	1		
28	-	Back-up alarm module	1		
29	0248998073	Threaded stud	1		
30	4700904042	Fuse 80A Natural (White)	1		
31	4812120312	Cable harness	1		
33	4700500060	Screw M5-0,8x20 8.8	2		
34	4700901225	Fuse 5A Tan	1		
35	4700901227	Fuse 10A Red	8		
36	4700903741	Fuse 20A Yellow	2		
37	4700901226	Fuse 7.5A Brown	1		
38	-	Horn module	1		
39	-	Standard ECU assembly	1		
40	-	Back-up alarm module	1		
41-1	-	Inclination sensor module	1		To A017098

Refer to Parts Online for the most up to date information. The printed information might be outdated.

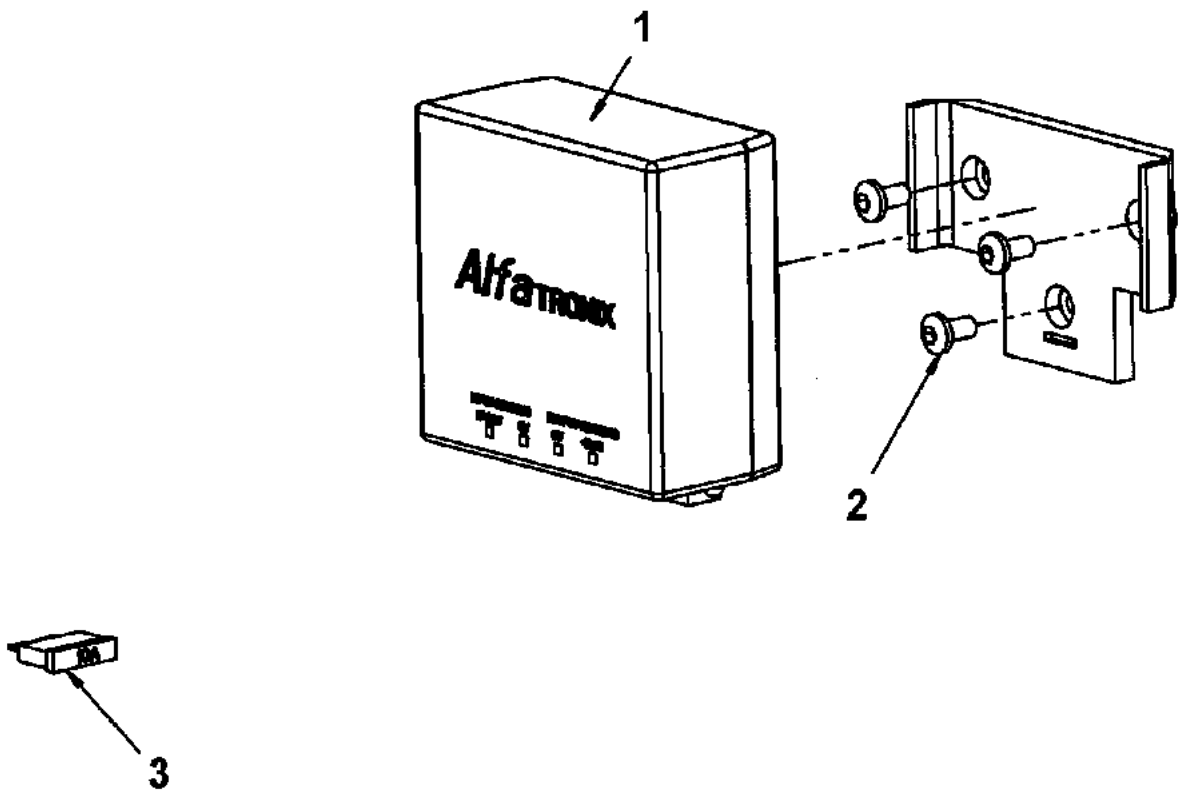
Wed Apr 11 13:33:57 UTC 2018



Refer to Parts Online for the most up to date information. The printed information might be outdated.
 Wed Apr 11 13:33:57 UTC 2018

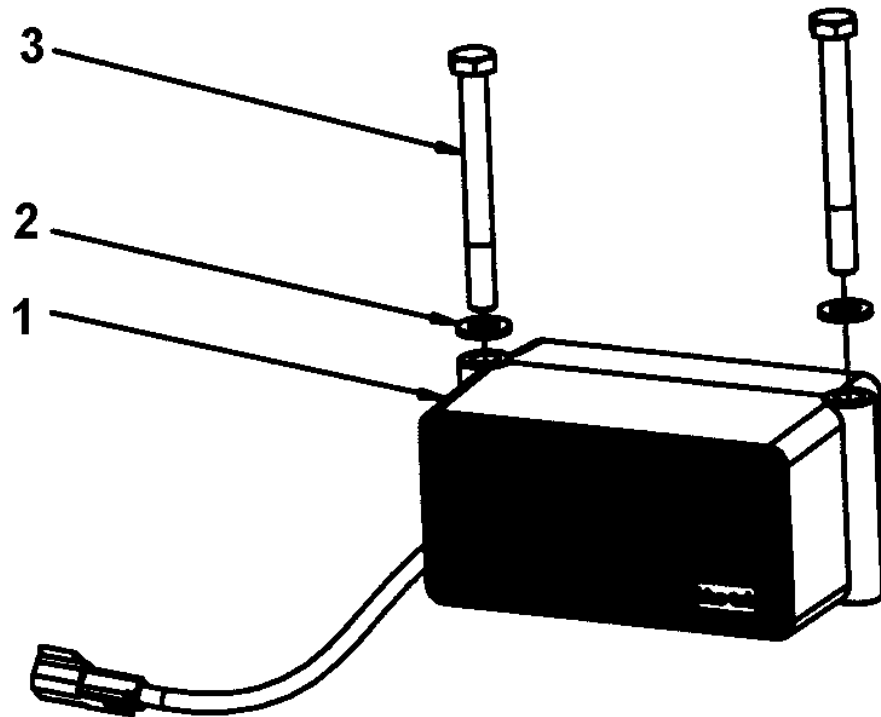
Item	Part No.	Name	Qty	L	SN INFO
41-2		Inclination sensor module	1		From A017099
42	4812110560	Power socket 12V	1		

Electrical cables, engine - ECU Horn, Back-up alarm Power converter module



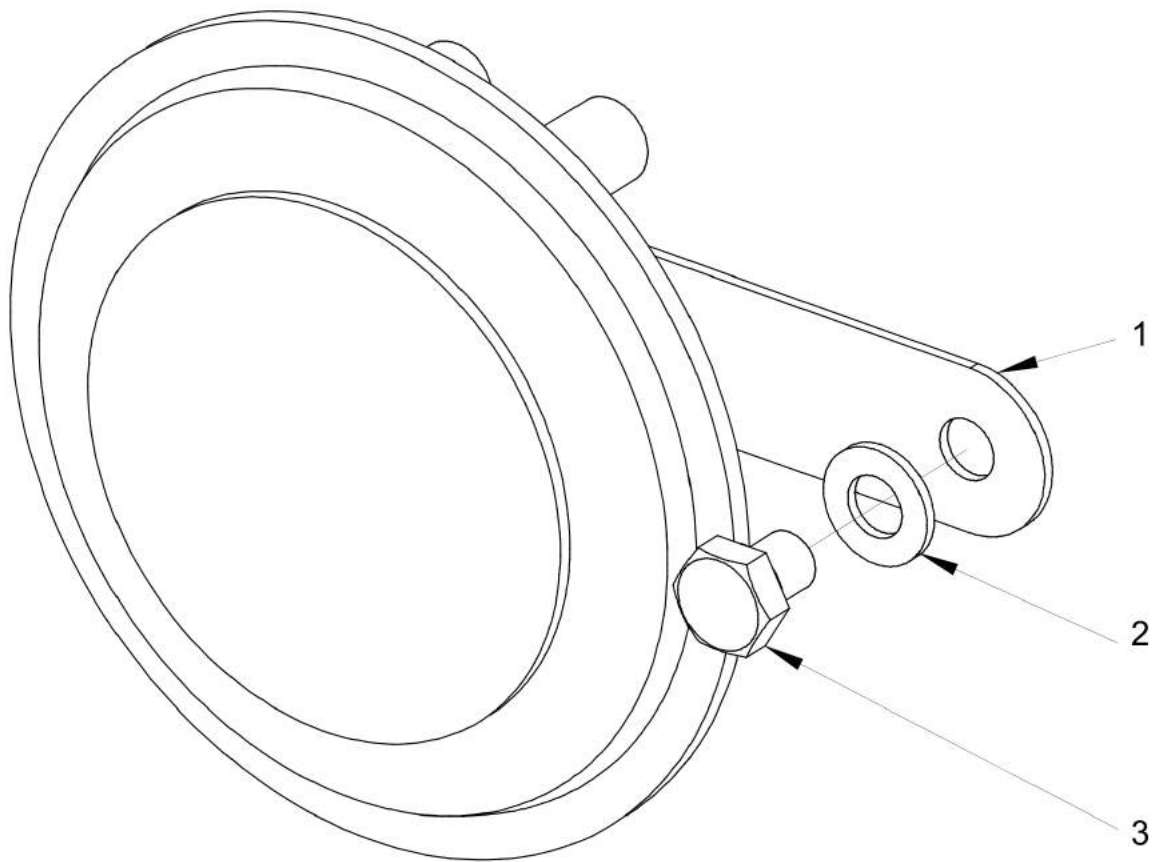
Item	Part No.	Name	Qty	L	SN INFO
1	4812112017	Power converter	1		
2	4700792210	Screw torx	3		
3	4700901227	Fuse 10A Red	1		

Electrical cables, engine - ECU Horn, Back-up alarm Back-up alarm module, Quacker



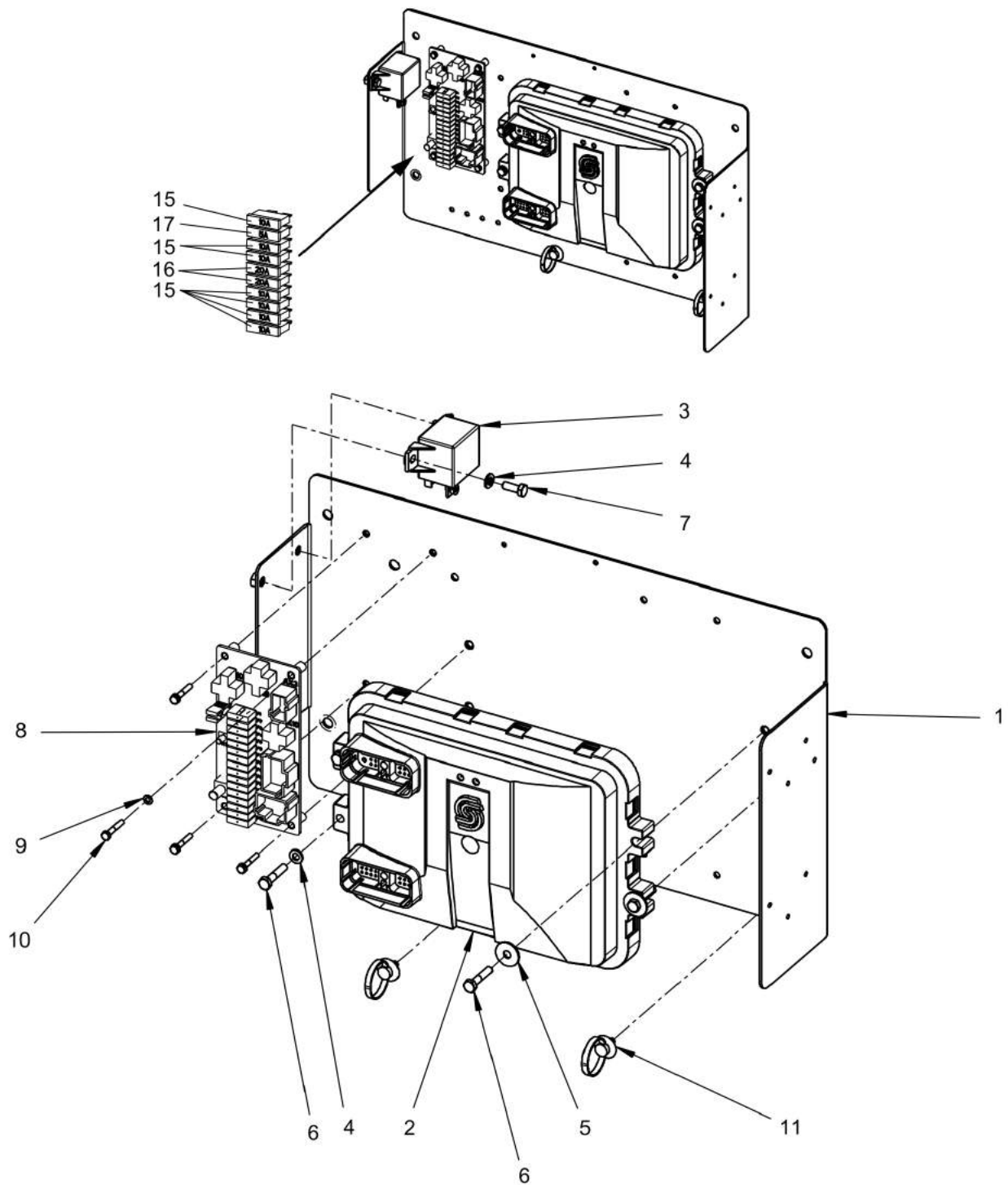
Item	Part No.	Name	Qty	L	SN INFO
1	4812117108	Back-up alarm	1		
2	4700904570	Steel plain washer	2		
3	4700792776	Screw	2		

Electrical cables, engine - ECU Horn, Back-up alarm Horn



Item	Part No.	Name	Qty	L	SN INFO
1	4700999014	Horn	1		
2	4700904229	Washer, 8.4x 6x1.5 mm 300HV	1		
3	4700500042	Hex. head screw M8	1		

Electrical cables, engine - ECU Horn, Back-up alarm Standard ECU assembly



Refer to Parts Online for the most up to date information. The printed information might be outdated.

Wed Apr 11 13:33:58 UTC 2018

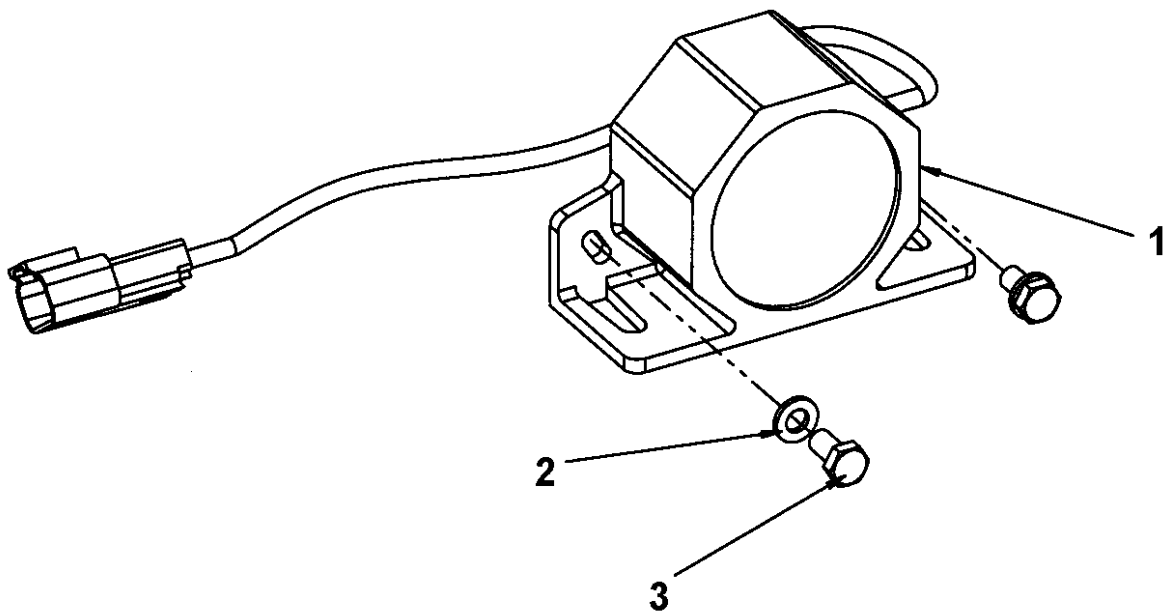
Item	Part No.	Name	Qty	L	SN INFO
1	4812114619	Mounting plate	1		
2	4700390860	Control unit, main	1		
3	4700792309	Relay	1	A	
4	4700904228	Washer 6,4x12x1,5	4		
5	4700928467	Washer	2		
6	4700500015	Hex. screw	4		
7	4700500013	Screw, M6x16 mm 8.8 A2K	2		
8	4812114655	Circuit board	1		
9	4700904698	Plain washer	4		
10	4700904312	Screw	4		
11	4700792441	Cable tie with holder	2		
15	4700901227	Fuse 10A Red	7		
16	4700903741	Fuse 20A Yellow	2		
17	4700901225	Fuse 5A Tan	1		

Comments for Page: Standard ECU assembly

(L)OCAL REMARKS

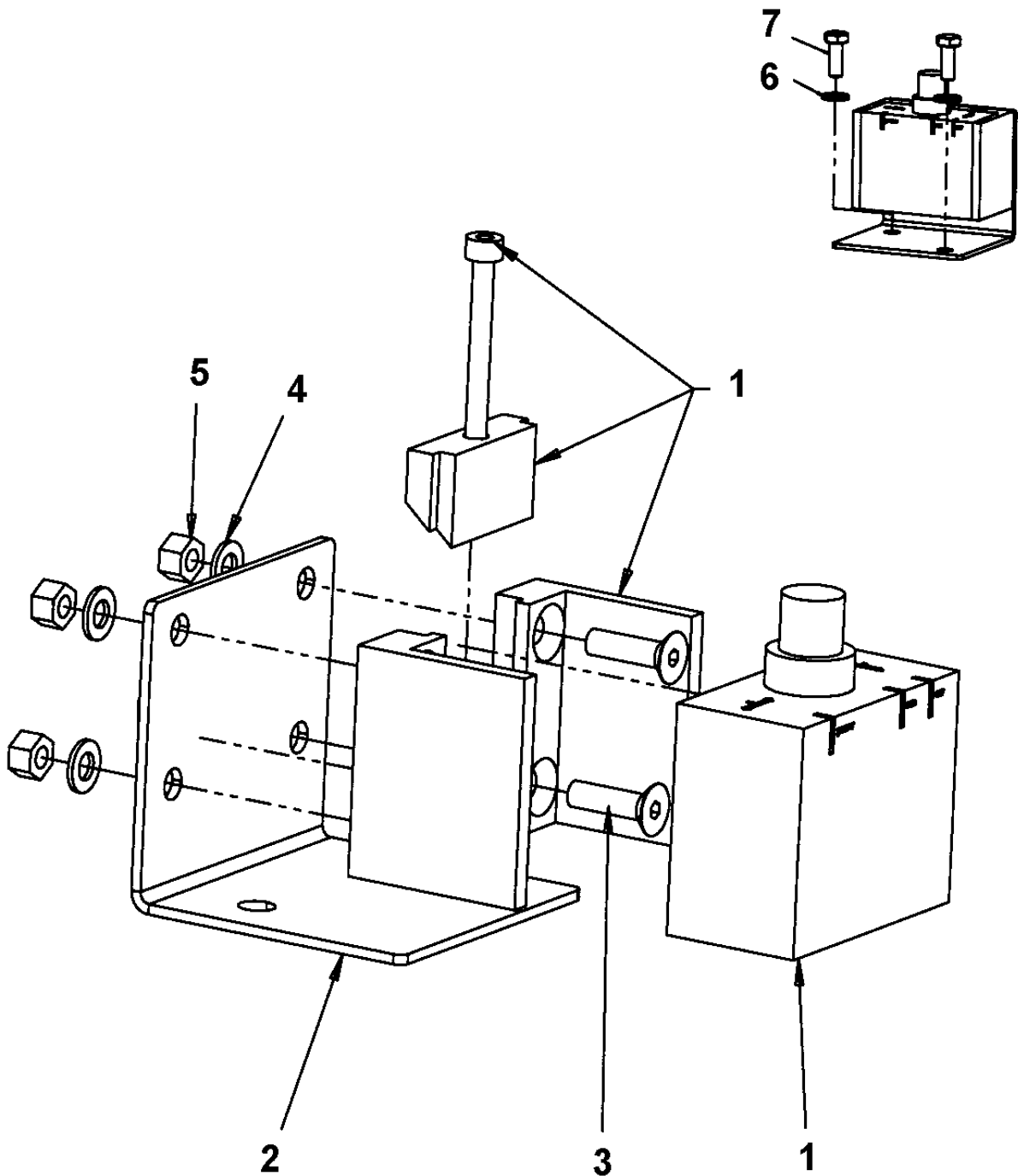
A | en_US | Main.

Electrical cables, engine - ECU Horn, Back-up alarm Back-up alarm module



Item	Part No.	Name	Qty	L	SN INFO
1	4700904911	Back-up alarm	1		
2	4700904228	Washer 6,4x12x1,5	2		
3	4700500013	Screw, M6x16 mm 8.8 A2K	2		

Electrical cables, engine - ECU Horn, Back-up alarm Inclination sensor module

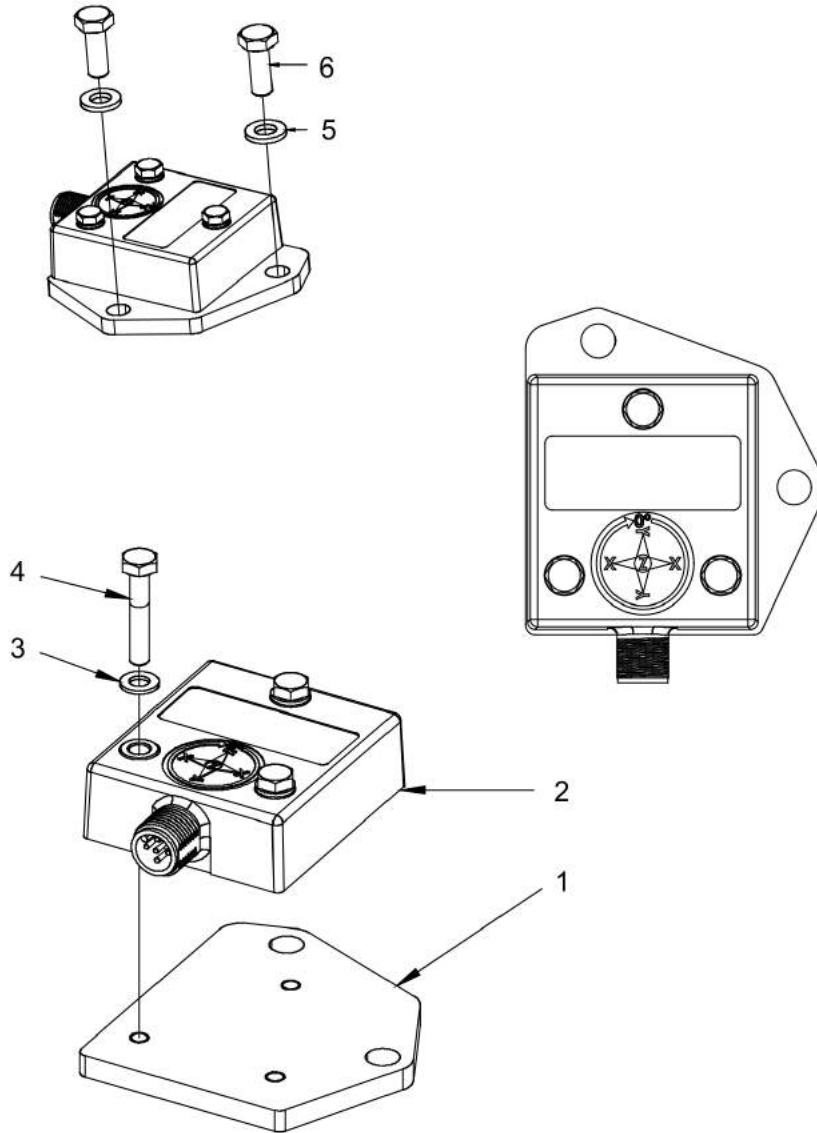


Refer to Parts Online for the most up to date information. The printed information might be outdated.

Wed Apr 11 13:33:58 UTC 2018

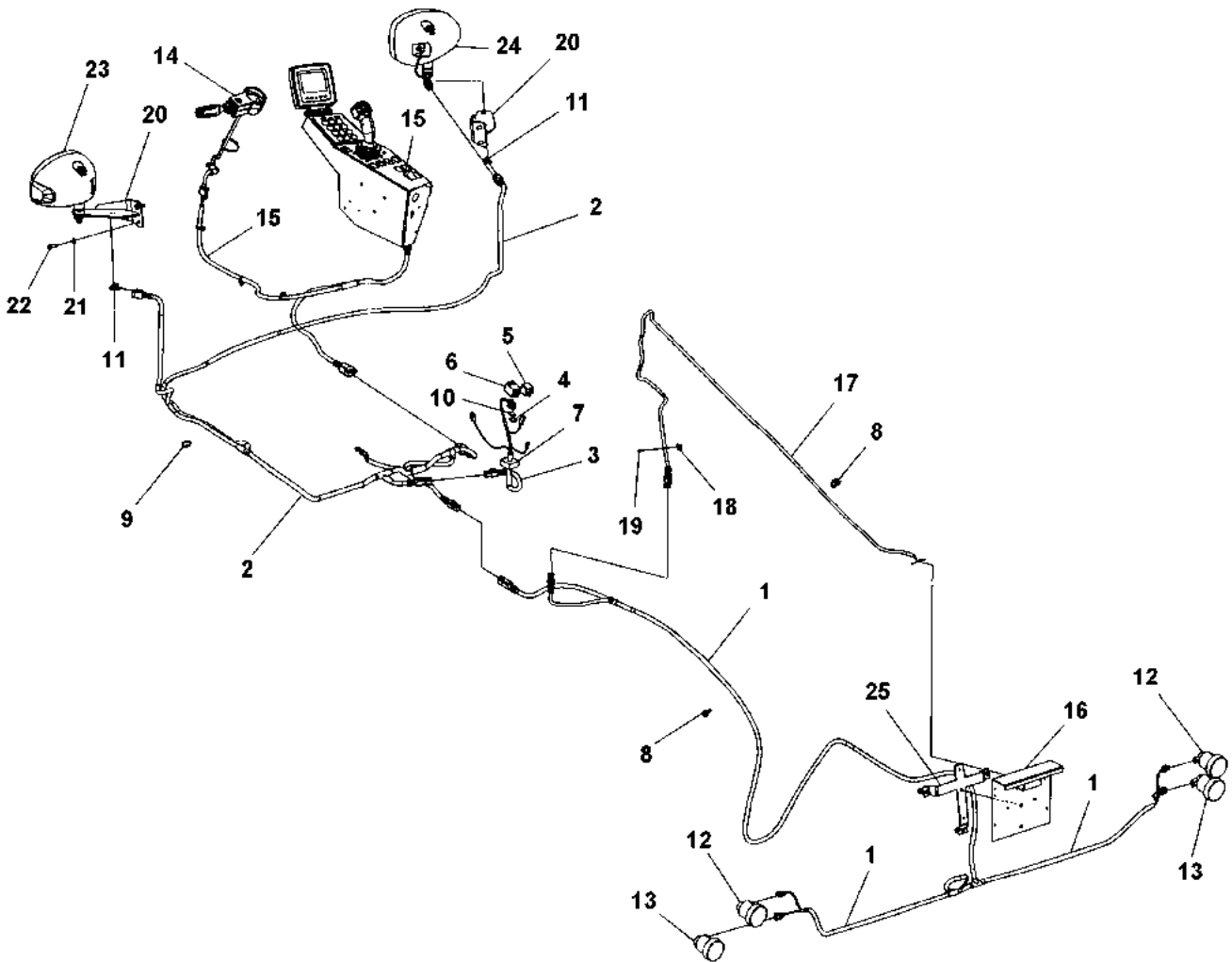
Item	Part No.	Name	Qty	L	SN INFO
1	4812112686	Inclination sensor	1		
2	4812112691	Holder	1		
3	4700904504	Screw M5 x 18	4		
4	4700904281	Washer, 5,3x10x1 300HV	4		
5	4700570003	Hex. nut	4		
6	4700904228	Washer 6,4x12x1,5	2		
7	4700500013	Screw, M6x16 mm 8.8 A2K	2		

Electrical cables, engine - ECU Horn, Back-up alarm Inclination sensor module



Item	Part No.	Name	Qty	L	SN INFO
1	4812124239	Bracket	1		
2	4812124238	Inclination sensor	1		
3	4700904698	Plain washer	3		
4	4700904311	Hexagon head screw	3		
5	4700904228	Washer 6,4x12x1,5	2		
6	4700500013	Screw, M6x16 mm 8.8 A2K	2		

Electrical equipment Driving & side direction lights, number plate light, option



Refer to Parts Online for the most up to date information. The printed information might be outdated.

Wed Apr 11 13:33:59 UTC 2018

Item	Part No.	Name	Qty	L	SN INFO
1	4812110884	Cable harness	1		
2	4812112374	Cable harness	1		
3	4812114656	Cable harness	1		
4	4700901227	Fuse 10A Red	1		
5	4700792422	Relay 24V 20A	1		
6	4811000163	Flash relay	1		
7	4811000429	Cable entry insert	1		
8	4700792441	Cable tie with holder	26		
9	4700313041	Cable ties, L=200 mm	11		
10	4700901226	Fuse 7.5A Brown	1		
11	4812114873	Connector holder	2		
12	4700792520	Direction indicator	2		
13	4700792519	Brake/position light	2		
14	-	Steering column switch module	1		
15	-	Cable harness kit	1		
16	-	Registration plate light module	1		
17	4812112916	Cable harness	1		
18	4700395352	Cable tie holder	5		
19	4700313068	Cable ties, L=92 mm	5		
20	4812112793	Bracket	2		
21	4700904229	Washer, 8.4x 6x1.5 mm 300HV	4		
22	4700500021	Screw, M8x25 mm 8.8 A2K	4		
23	4812113117	Head light, right hand asymmetric	1	A	
23	4812113140	Head light, left hand asymmetric	1	A	
24	4812113118	Head light, right hand asymmetric	1	B	
24	4812113141	Head light, left hand asymmetric	1	B	
25	-	Holder, Registration plate light	1		

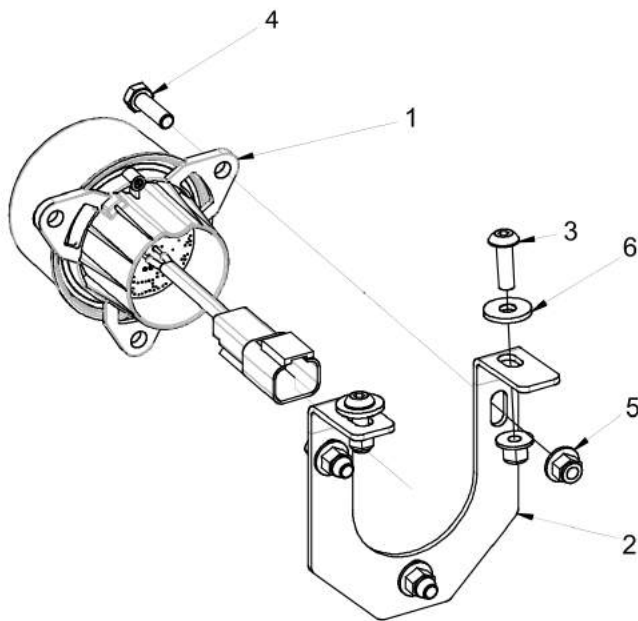
Comments for Page: Driving & side direction lights, number plate light, option

(L)OCAL REMARKS

A | en_US | Left

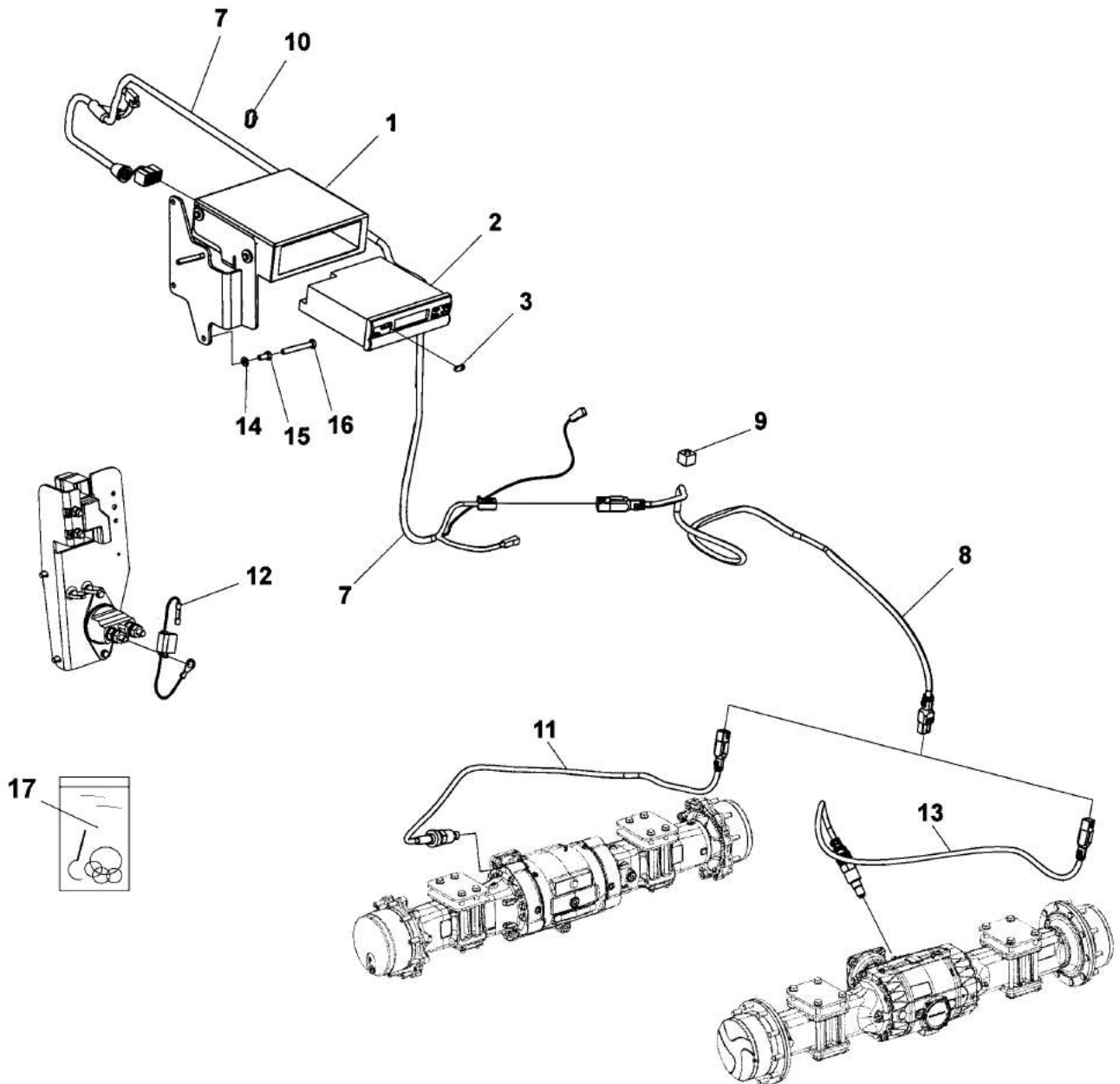
B | en_US | Right

Electrical equipment Reversing light module



Item	Part No.	Name	Qty	L	SN INFO
1	4812120334	Reverse light LED	1		
2	4812120790	Bracket	1		
3	4700904653	Screw M5x16 A2-70	2		
4		Screw M5x16	3		
5	4700902284	Nut M5	5		
6	4700601001	Washer	2		

Electrical equipment Tachograph, option



Refer to Parts Online for the most up to date information. The printed information might be outdated.

Wed Apr 11 13:34:00 UTC 2018

Item	Part No.	Name	Qty	L	SN INFO
1	-	Holder assy	1		
2	4811000292	Tachograph	1		
3	4811000529	Cover cap	1		
7	4812112417	Cable harness	1		
8	4812112917	Cable harness	1		
9	4812112068	Cable entry insert	1		
10	4700313041	Cable ties, L=200 mm	3		
11	4812112419	Pulse sensor cpl	1	A	
12	-	Power supply module	1		
13	4812115707	Pulse sensor cpl	1	B	
14	4700904229	Washer, 8.4x 6x1.5 mm 300HV	2		
15	4700500019	Hexagon screw	2		
16	4700500026	Screw M8-1,25x60 mm 8.8	2	C	
17	4812118625	Seal kit	1		

Comments for Page: Tachograph, option

(L)OCAL REMARKS

A | en_US | Limited slip.

B | en_US | No spin.

C | en_US | Used with comfort cab.

Electrical equipment Speed sensor, frequency sensor, option

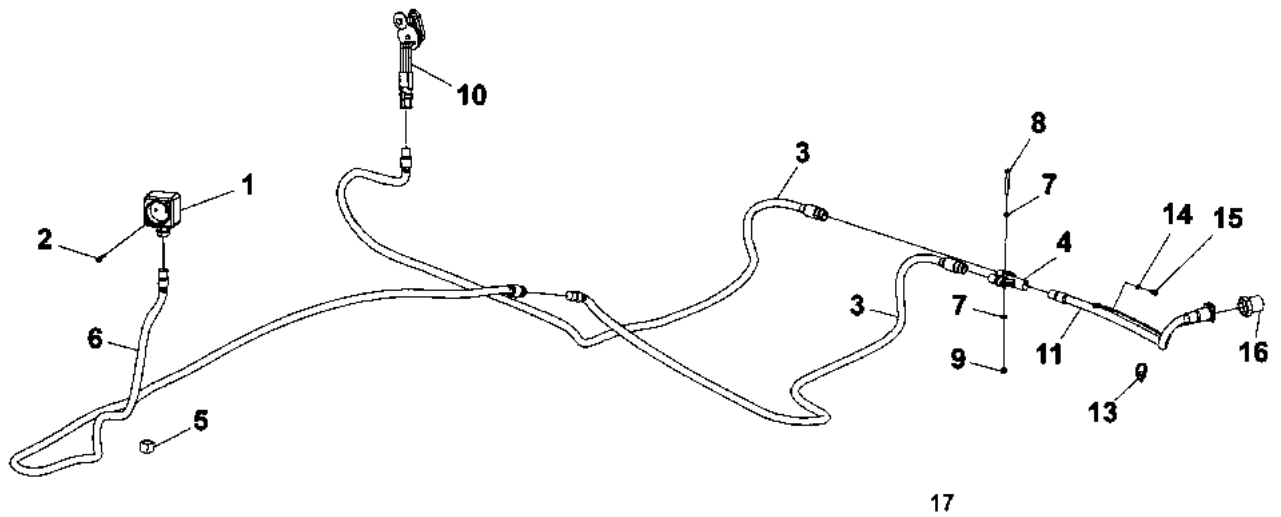


Refer to Parts Online for the most up to date information. The printed information might be outdated.

Wed Apr 11 13:34:00 UTC 2018

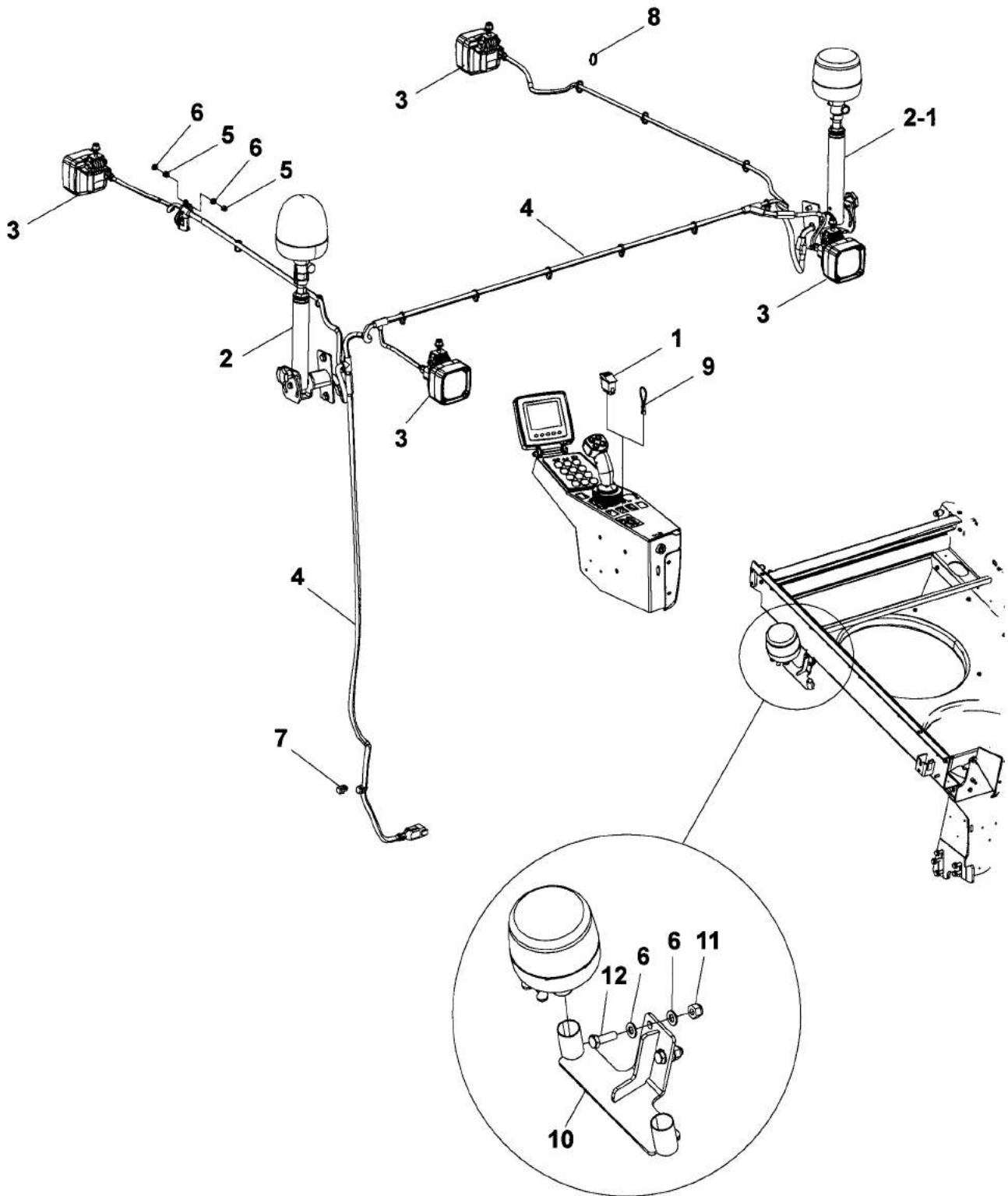
Item	Part No.	Name	Qty	L	SN INFO
1	4812119107	Cable harness	1		
2	4700904346	Clamp	1		
3	4700904228	Washer 6,4x12x1,5	2		
4	4700500013	Screw, M6x16 mm 8.8 A2K	1		
5	4700586002	Lock nut M6 -8	1		
6	4700389215	Pulse sensor	1		
7	4812118899	Cable harness	1		
8	4812118760	Cable harness	1		
9	4812118761	Cable harness	1		
10	4812112229	Cable harness	1		

Electrical equipment Pre-heater installation, option



Item	Part No.	Name	Qty	L	SN INFO
1	4700396044	Connector	1		
2	4700792186	Thread forming screw	2		
3	4700396047	Cable	2		
4	4700396043	Branching	1		
5	4812112071	Cable entry insert	1		
6	4700396047	Cable	1		
7	4700904228	Washer 6,4x12x1,5	2		
8	4700500079	Screw M6-1x50 8,8	1		
9	4700586002	Lock nut M6 -8	1		
10	-	Heater	1		
11	4811000316	Cable	1		
13	4700792441	Cable tie with holder	4		
14	4700904281	Washer, 5,3x10x1 300HV	1		
15	4700500003	Hex. screw	1		
16	4812114984	Nut	1		
17	4700396048	Cable	1		

Rotating beacon, working light, option Rotating beacon, working light, option



Refer to Parts Online for the most up to date information. The printed information might be outdated.

Wed Apr 11 13:34:01 UTC 2018

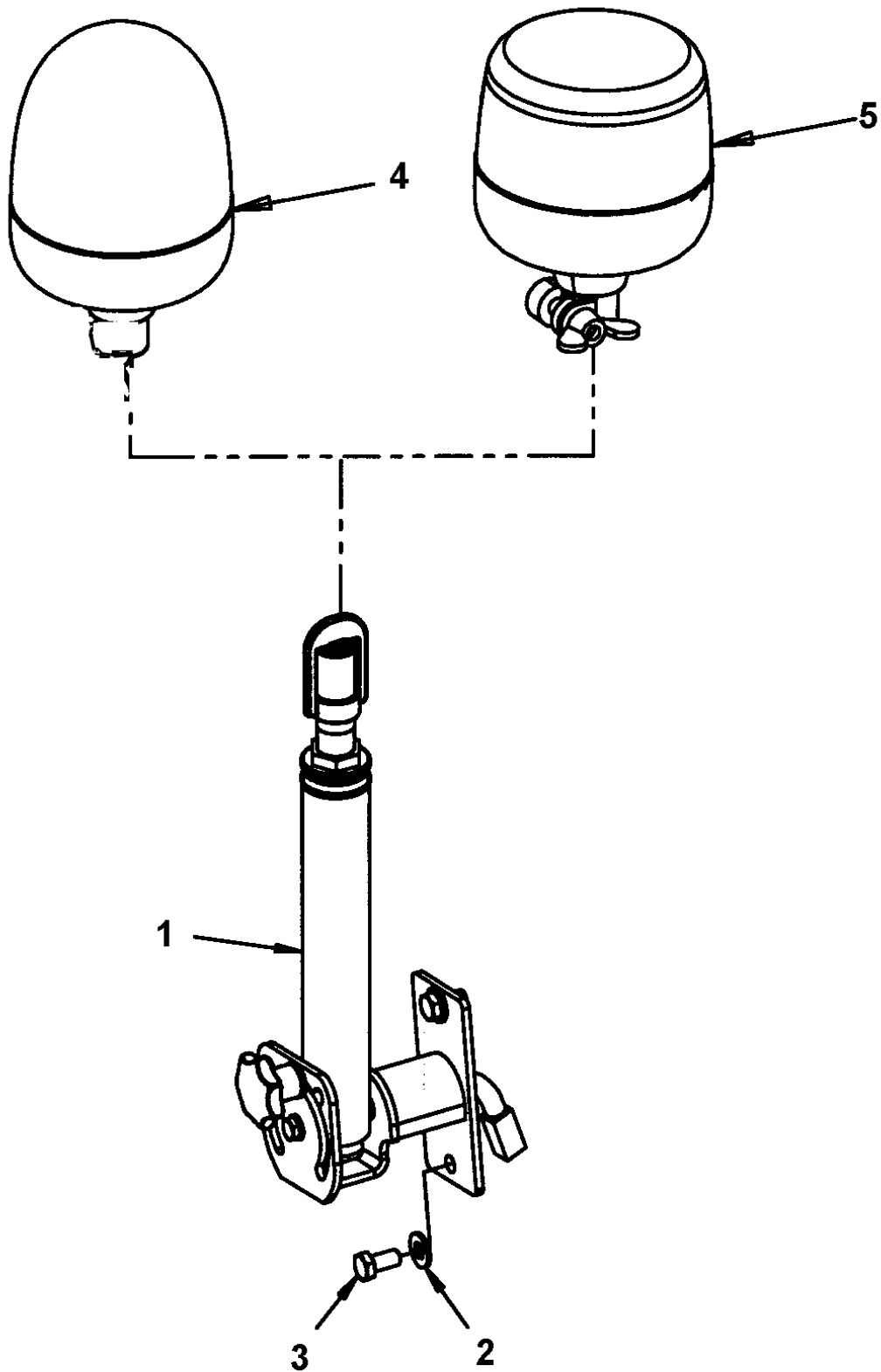
Item	Part No.	Name	Qty	L	SN INFO
1	4700792397	Switch	1		
2	-	Rotating beacon module	1		
2-1	-	Rotating beacon module	2	A	
3	4812126778	Working light, LED 25W	4		
3	4812126777	Working light, LED 15W	4		
3	-	Working light module H3	4		
4	4812112325	Cable harness	1		
5	4700570005	Hexagon nut	2		
6	4700904229	Washer, 8.4x 6x1.5 mm 300HV	6		
7	4700792667	Cable tie holder	1		
8	4700313041	Cable ties, L=200 mm	N		
9	4811000077	Connection cable	1		
10	4812116799	Holder	1		
11	4700586003	Lock nut M8	2		
12	4700500021	Screw, M8x25 mm 8.8 A2K	2		

Comments for Page: Rotating beacon, working light, option

(L)OCAL REMARKS

A | en_US | Dual LED

Rotating beacon, working light, option Rotating beacon module



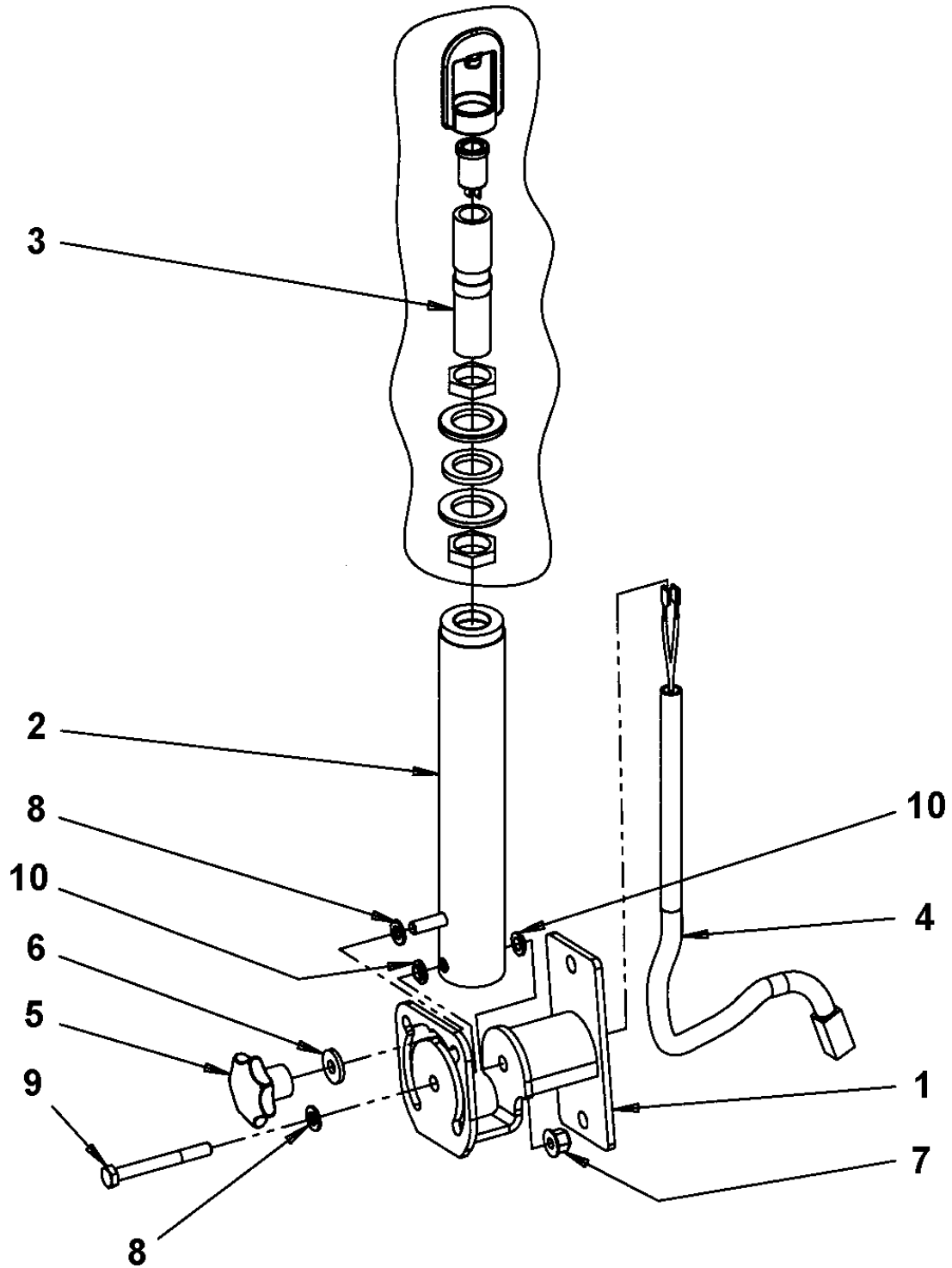
Item	Part No.	Name	Qty	L	SN INFO
1	-	Bracket, Rotating beacon	1		
2	4700904230	Plain washer 10.5x22x2 mm	2		
3	4700500048	Screw, M10x20 mm 8.8 A3K	2		
4	4812122611	Rotating beacon	1		
5	4812121848	Rotating beacon, LED	1	A	

Comments for Page: Rotating beacon module

(L)OCAL REMARKS

A | en_US | Dual LED

Rotating beacon, working light, option Bracket, Rotating beacon



Refer to Parts Online for the most up to date information. The printed information might be outdated.

Wed Apr 11 13:34:01 UTC 2018

Item	Part No.	Name	Qty	L	SN INFO
1	4812116622	Bracket	1		
2	4812112460	Bracket	1		
2	4812120468	Bracket	1	A	
3	4700392321	Bracket	1		
3	4812120469	Bracket	1	B	
4	4812115020	Wiring harness	1		
5	4700792410	Hand knob nut	1		
6	4700904640	Washer, 8.4x22x3 mm 300HV	1		
7	4700902286	Lock nut, M8x1.25 mm A2K	1		
8	4700904229	Washer, 8.4x 6x1.5 mm 300HV	2		
9	4700500189	Screw	1		
10	4812112774	Bushing	2		

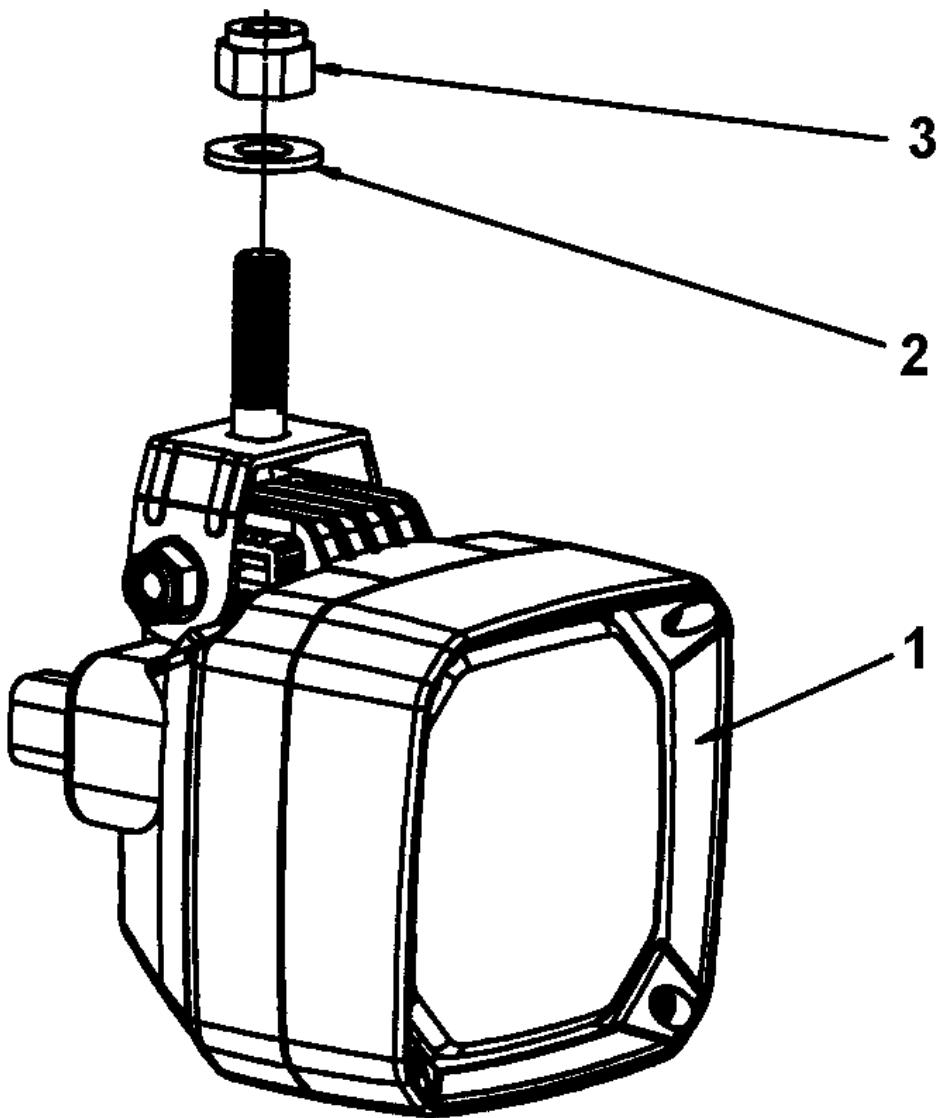
Comments for Page: Bracket, Rotating beacon

(L)OCAL REMARKS

A | en_US | interchangeable with part 4812120469

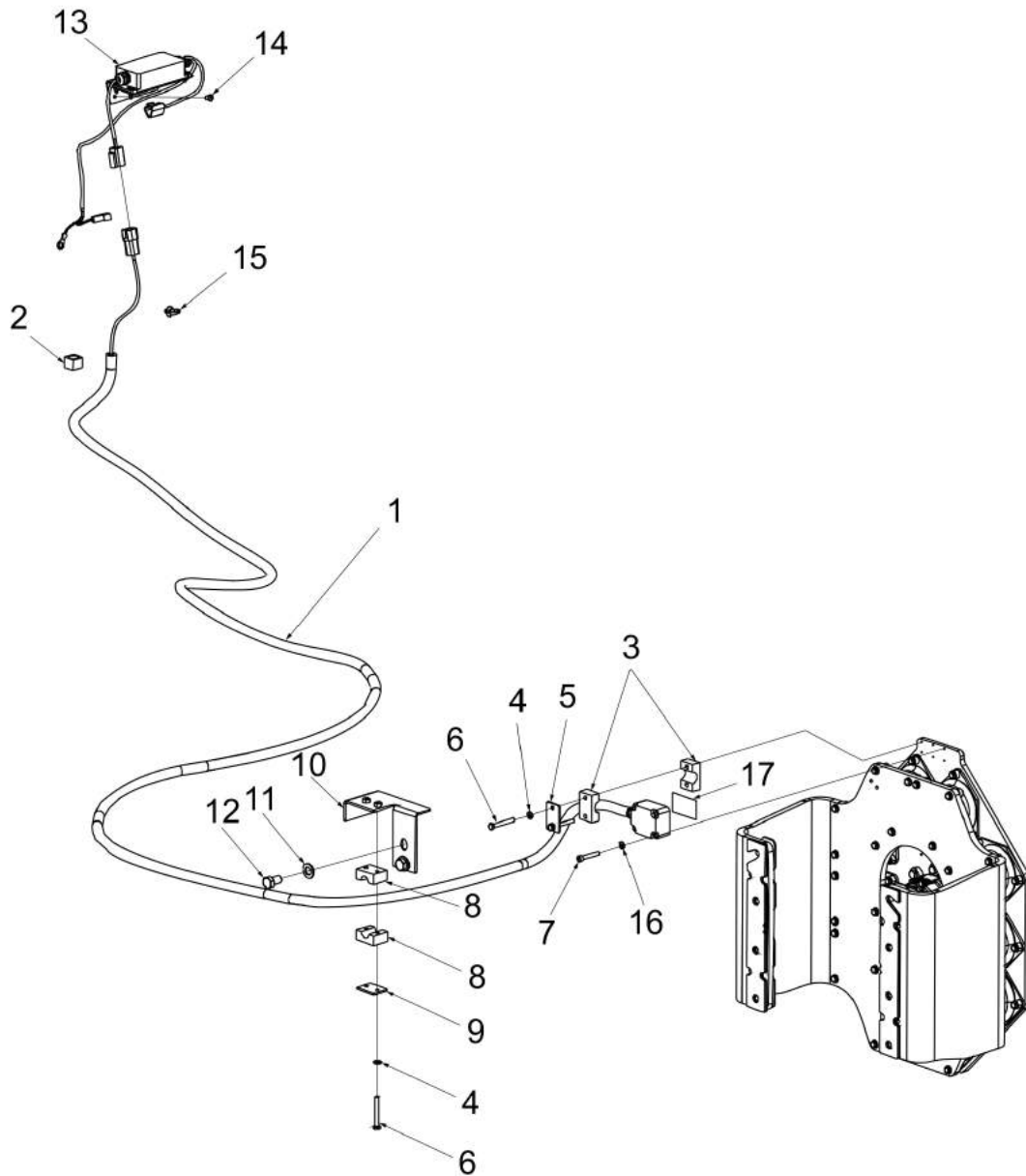
B | en_US | interchangeable with part 4812120468

Rotating beacon, working light, option Working light module H3



Item	Part No.	Name	Qty	L	SN INFO
1	4812114720	Working light	1		
2	4700904230	Plain washer 10.5x22x2 mm	1		
3	4700586018	Lock nut M10	1		

Compaction meter, option Compaction meter, option

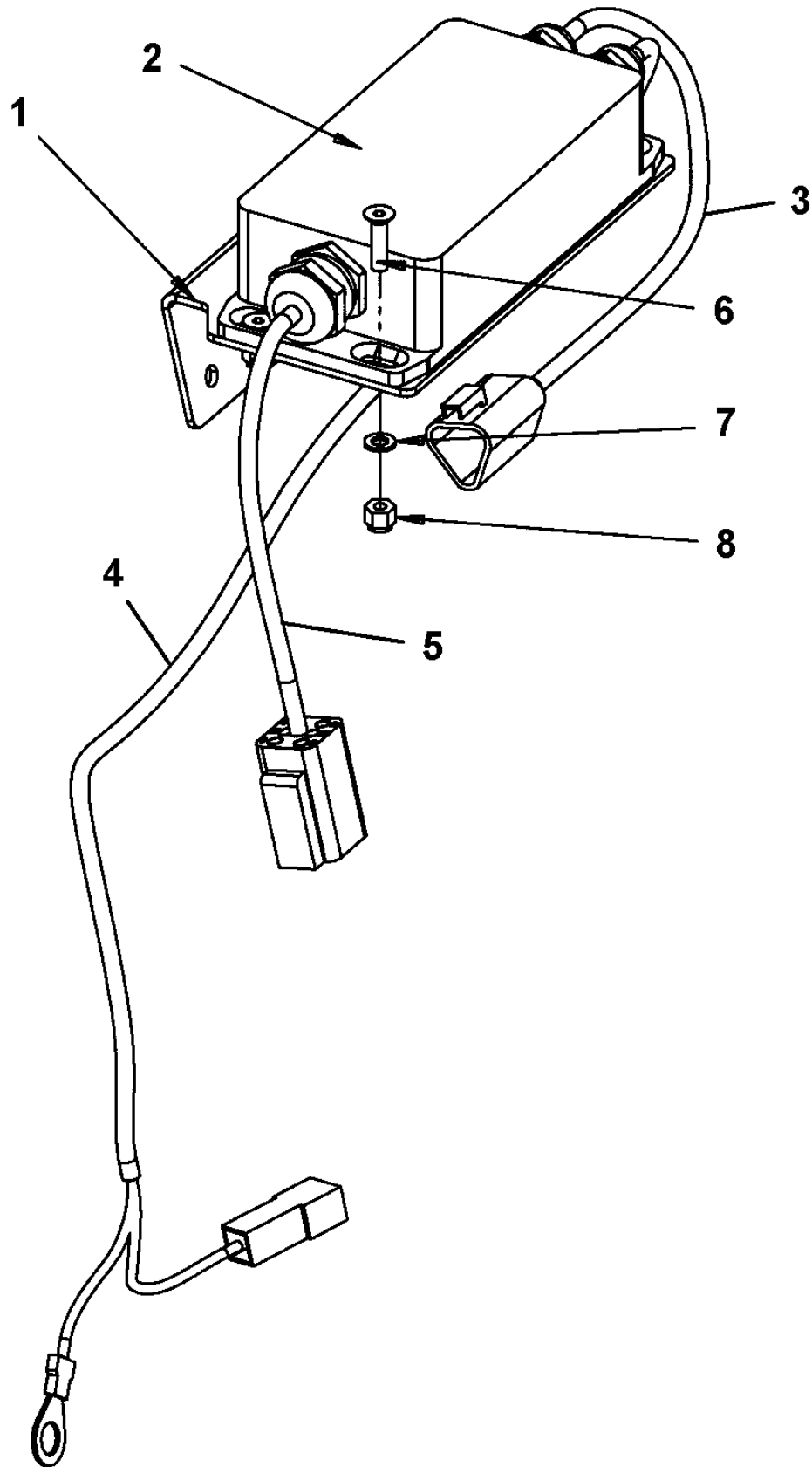


Refer to Parts Online for the most up to date information. The printed information might be outdated.

Wed Apr 11 13:34:02 UTC 2018

Item	Part No.	Name	Qty	L	SN INFO
1	4812115921	Dcm unit	1		
2	4812112072	Cable entry insert	1		
3	4700923876	Clamp	1		
4	4700904228	Washer 6,4x12x1,5	4		
5	4700923859	Cover plate	1		
6	4700500079	Screw M6-1x50 8,8	4		
7	4812121264	Screw	4		
8	4700791453	Pipe clamp block	1		
9	4700791454	Cover plate	1		
10	4812116181	Bracket	1		
11	4700904231	Washer, 13x24x2 mm 300 HV	2		
12	4700500035	Hexagon screw, M12x20H	2		
13		Power supply	1		
14	4700792210	Screw torx	2		
15	4700792441	Cable tie with holder	2		
16	4700606003	Washer	4		
17	4812121118	Gasket	1		

Compaction meter, option Power supply

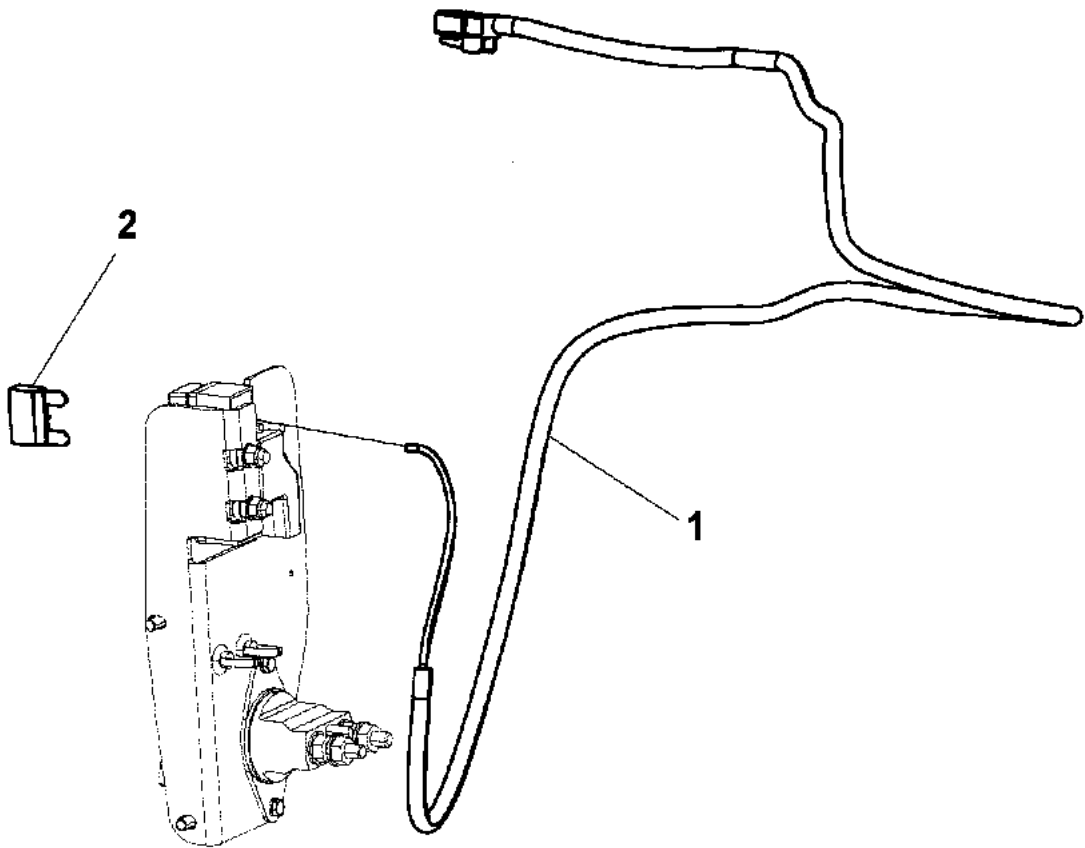


Refer to Parts Online for the most up to date information. The printed information might be outdated.

Wed Apr 11 13:34:02 UTC 2018

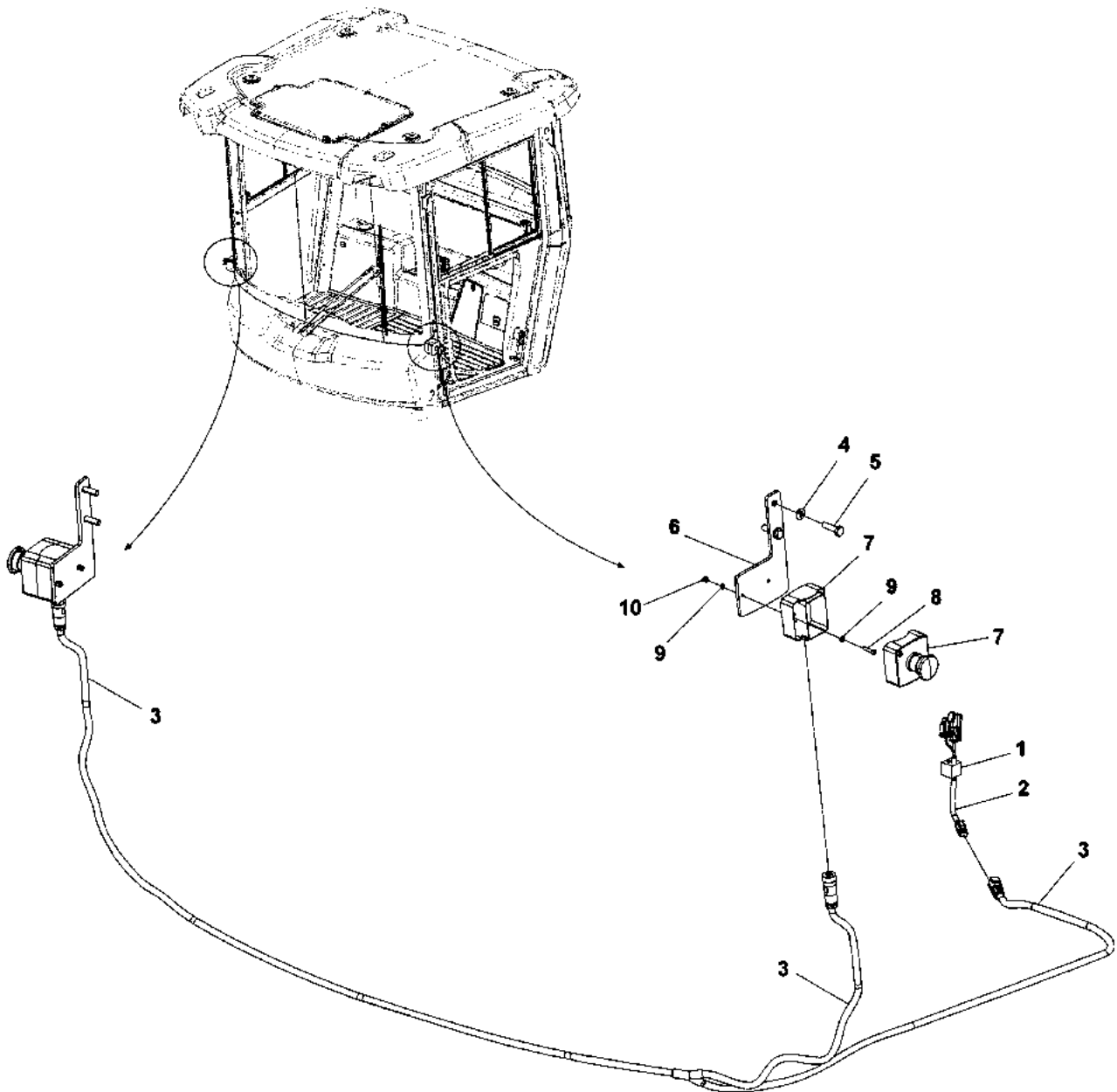
Item	Part No.	Name	Qty	L	SN INFO
1	4812112792	Holder	1		
2	4812113123	Power supply unit	1		
3	4812112640	Cable harness	1		
4	4812112641	Cable harness	1		
5	4812112642	Cable harness	1		
6	4700513027	Screw M4x16H 10,9	4		
7	4700904698	Plain washer	4		
8	4700923976	Lock nut	4		

Electrical equipment Cable harness kit Power supply cab



Item	Part No.	Name	Qty	L	SN INFO
1	4812111241	Cable harness	1		
2	4700904037	Fuse 30A Green	1		

Electrical equipment External emergency stop, option

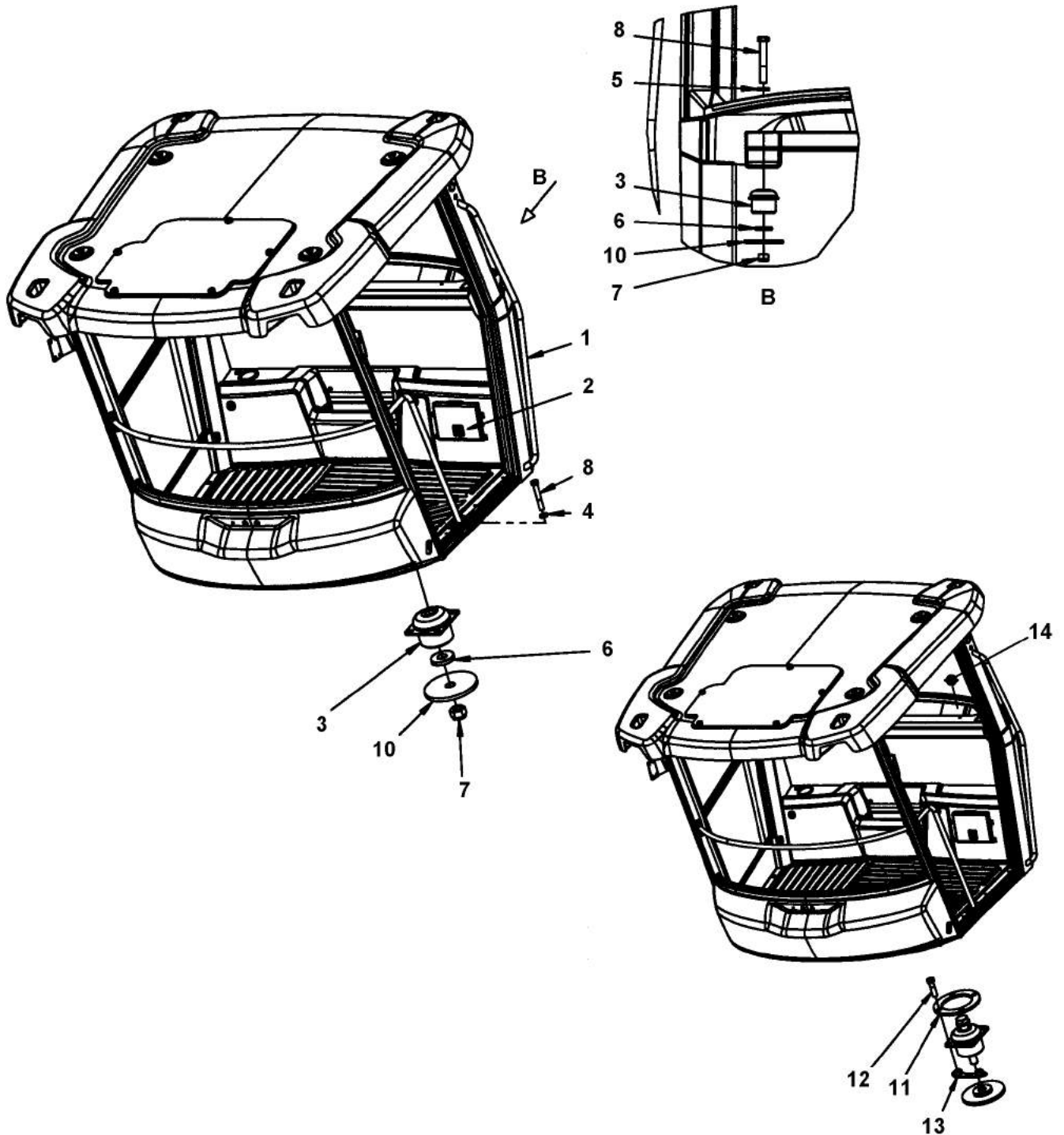


Refer to Parts Online for the most up to date information. The printed information might be outdated.

Wed Apr 11 13:34:02 UTC 2018

Item	Part No.	Name	Qty	L	SN INFO
1	4812116367	Cable entry frame and inserts	1		
2	4812116346	Cable harness	1		
3	4812116354	Cable harness	1		
4	4700904229	Washer, 8.4x 6x1.5 mm 300HV	4		
5	4700500022	Screw	4		
6	4812116588	Holder	2		
7	4812116587	Emergency stop box	2		
8	4700903386	Screw	4		
9	4700904698	Plain washer	8		
10	4700923976	Lock nut	4		

Platform, rops Platform, rops

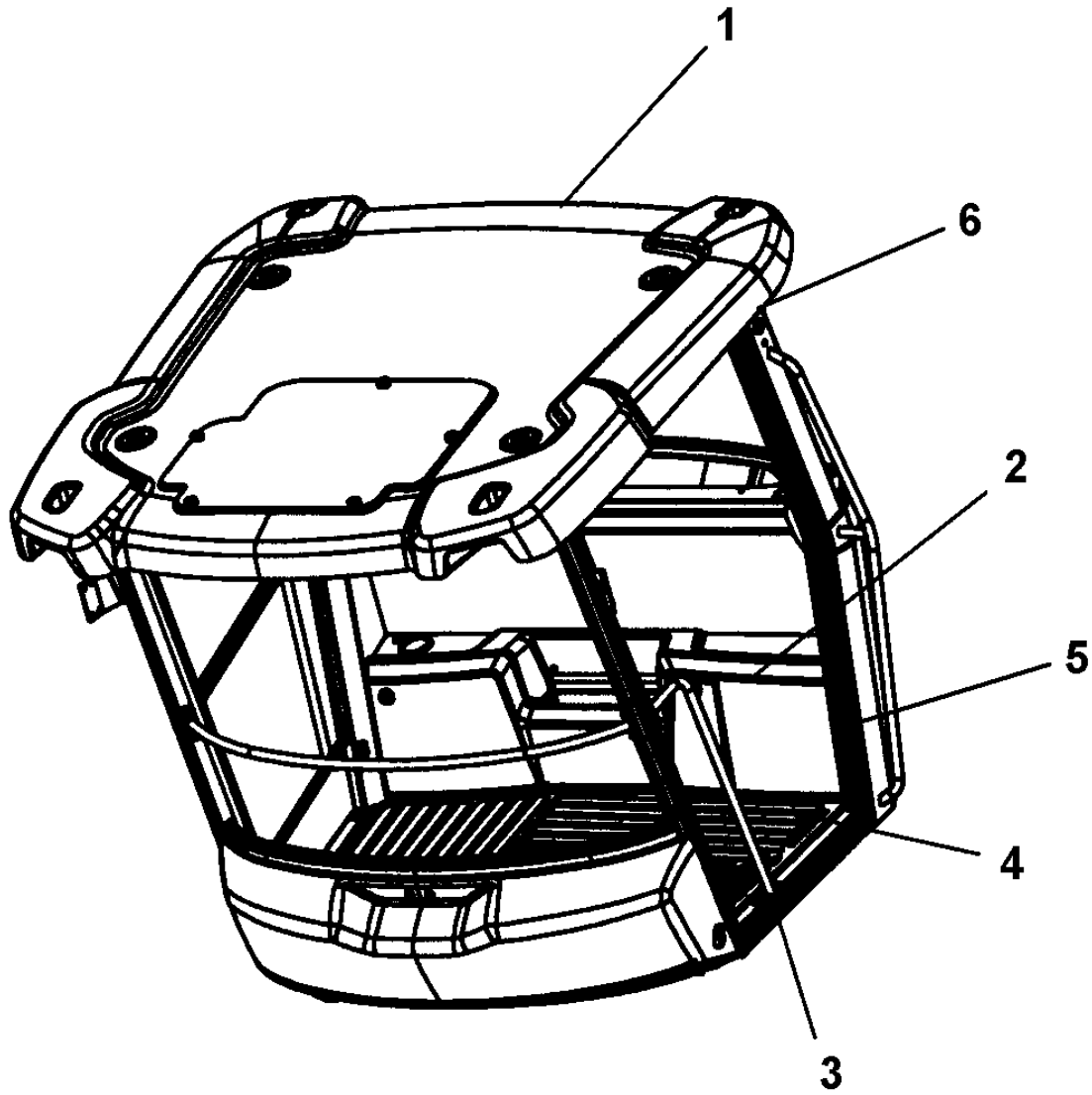


Refer to Parts Online for the most up to date information. The printed information might be outdated.

Wed Apr 11 13:34:02 UTC 2018

Item	Part No.	Name	Qty	L	SN INFO
1	4812120545	Platform with 4-post ROPS	1		
2	-	Manual box	1		
3	4812116884	Shock absorber	4		
4	4700904233	Steel plain washer 21x36x3	2		
5	4700903290	Steel plain washer 21x36x6	2		
6	4700927410	Washer	4		
7	4700901145	Lock nut M20-10	4		
8	4700902282	Screw	4		
10	4812116867	Spacer	4		
11	4700359998	Back-up ring	4		
12	4700500056	Screw, M12x45 mm 8.8 A3K	16		
13	4700393525	Holder	8		
14	4812115387	Protective plug	2		

4812120545 Platform with 4-post ROPS 4812120545 Platform with 4-post ROPS

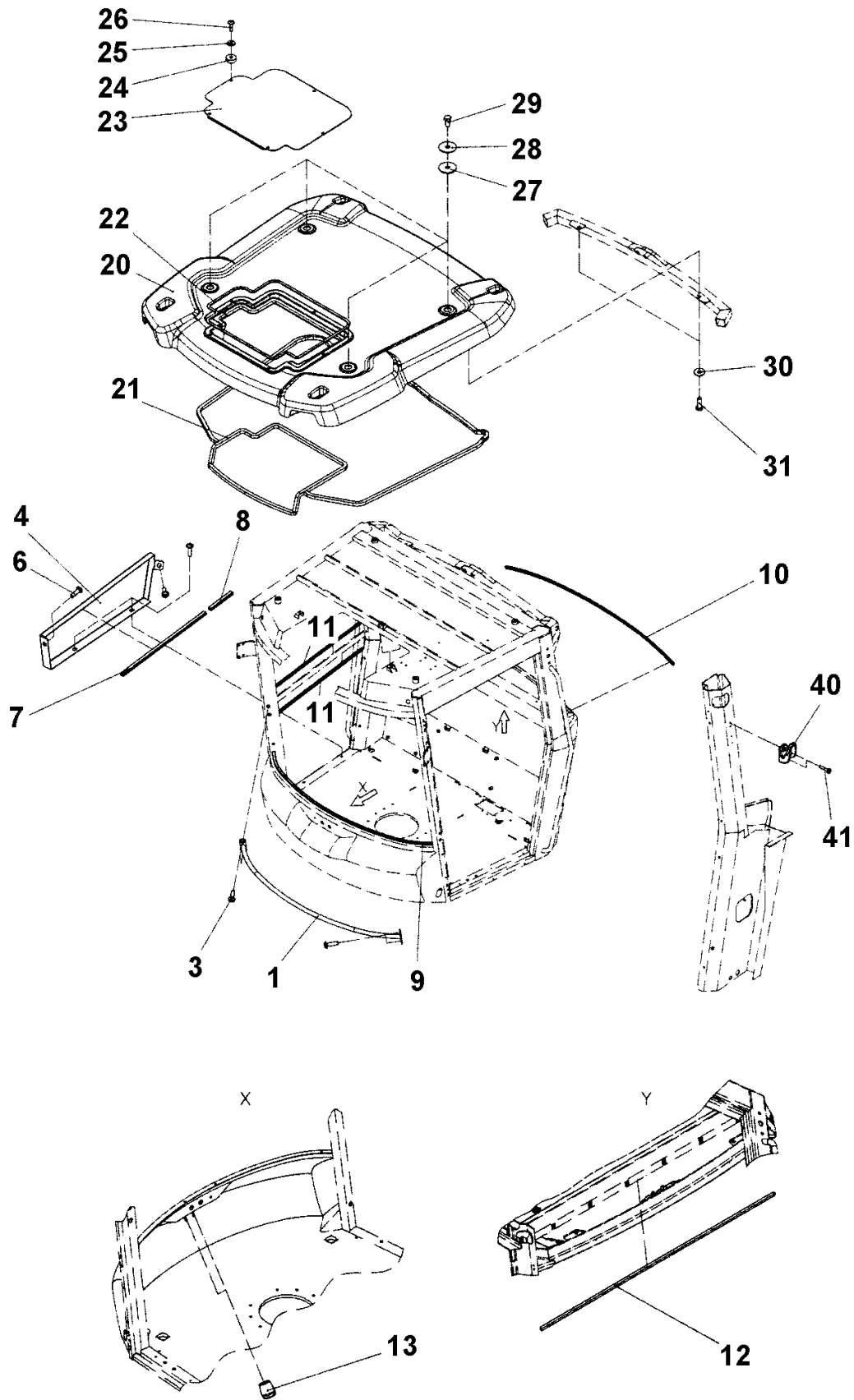


Refer to Parts Online for the most up to date information. The printed information might be outdated.

Wed Apr 11 13:34:03 UTC 2018

Item	Part No.	Name	Qty	L	SN INFO
1	-	Basic kit Rops, roof, front handrail	1		
2	-	Rear cover	1		
3	-	Handrail	1		
4	4812114568	Floor mat	1		
5		Rops	1		
6	-	Cab, basic kit	1		

4812120545 Platform with 4-post ROPS Basic kit Rops, roof, front handrail



Refer to Parts Online for the most up to date information. The printed information might be outdated.

Wed Apr 11 13:34:03 UTC 2018

Item	Part No.	Name	Qty	L	SN INFO
1	4812115193	Handrail	1		
3	-	Screw	4		
4	4812115194	Plate	1		
6	-	Screw	4		
7	4700202028	Edge trim	1XL	A	
8	4700202028	Edge trim	1XL	B	
9	4700202028	Edge trim	1XL	C	
10	4700202028	Edge trim	1XL	D	
11	4700202028	Edge trim	1XL	E	
12	4700202028	Edge trim	1XL	F	
13	-	Cap	2		
20	4812115195	Roof	1		
21	4812115164	Rubber strip	1XL	G	
22	4812161165	Foam strip (Xm)	1XL	H	
23	4812115196	Roof plate	1		
24	4812115166	Rubber washer	5		
25	4700601003	Washer, 8,4x25x2 mm	5		
26	-	Screw	5		
27	4812115170	Seal washer	10		
28	4812115171	Washer	4		
29	-	Screw	4		
30	4700601003	Washer, 8,4x25x2 mm	2		
31	4700947680	Hexagon head screw m	2		
40	4700908505	Hook	1		
41	-	Screw	4		

Comments for Page: Basic kit Rops, roof, front handrail

(L)OCAL REMARKS

A | L=0.508m

B | L=0.133m

C | L=1.415m

D | L=1.43m

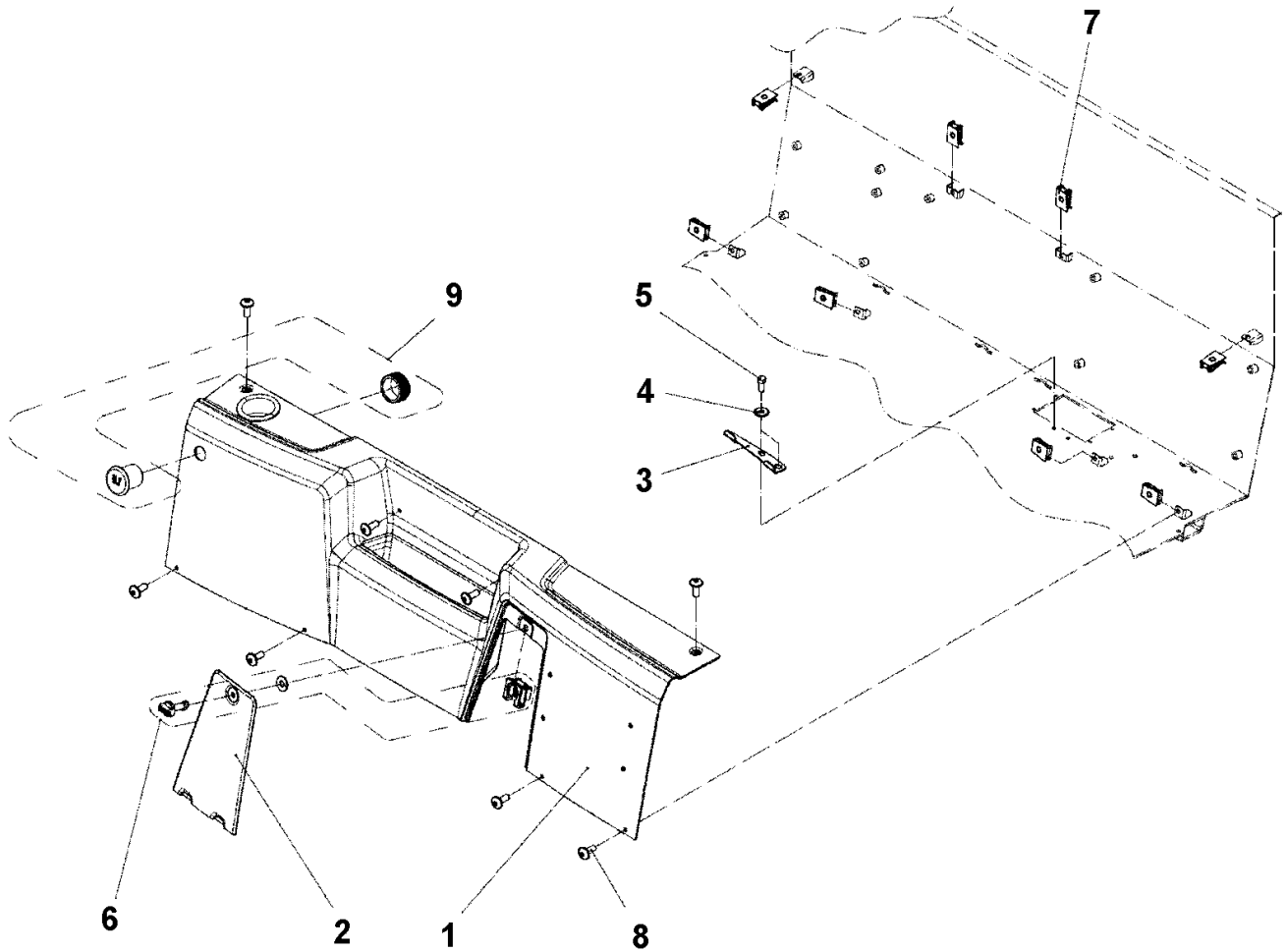
E | L=0.856m

F | L=1.515m

G | L=6.7m

H | L=2.513m

4812120545 Platform with 4-post ROPS Rear cover

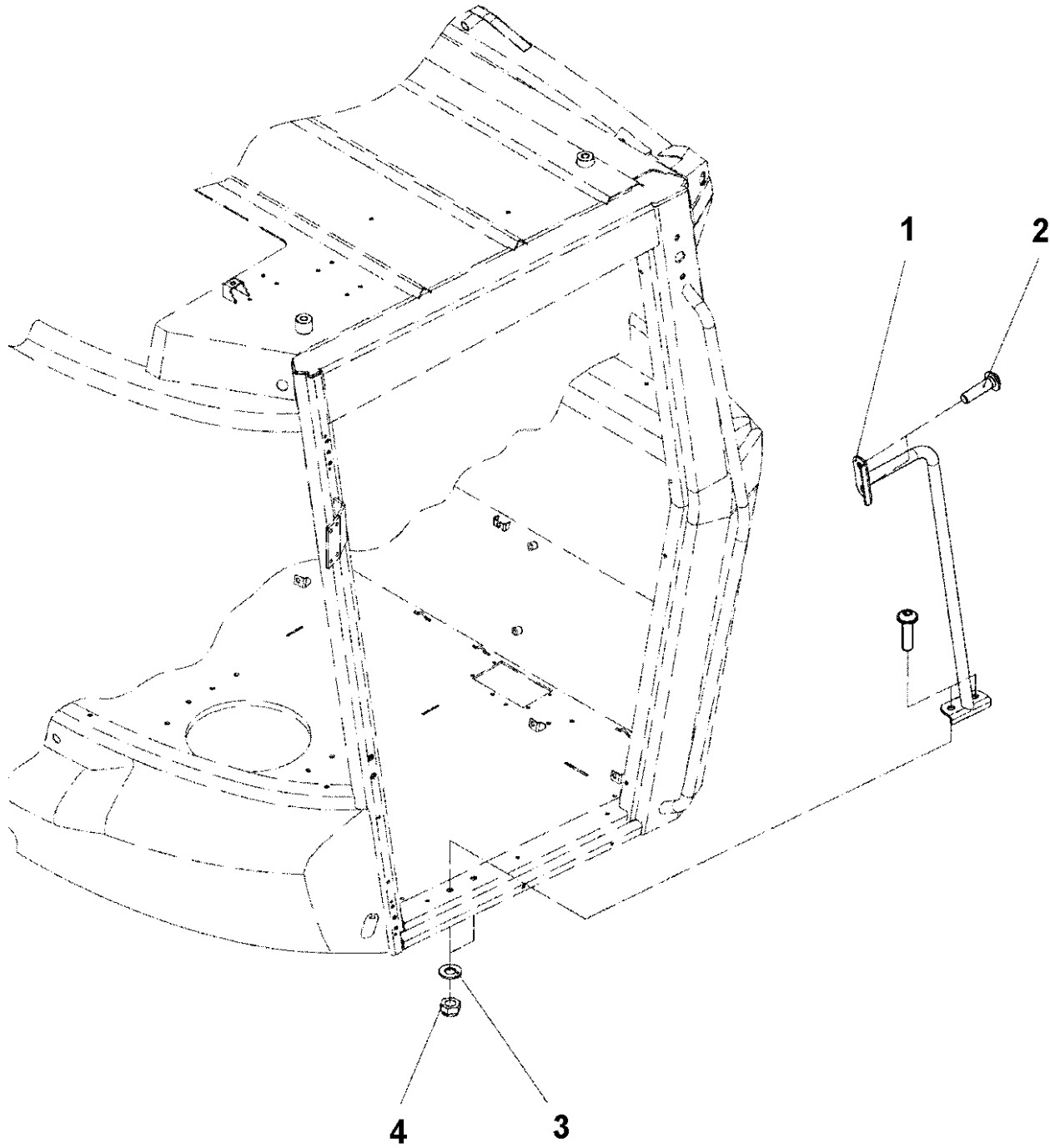


Refer to Parts Online for the most up to date information. The printed information might be outdated.

Wed Apr 11 13:34:03 UTC 2018

Item	Part No.	Name	Qty	L	SN INFO
1	4812114563	Rear cover	1		
2	4812114564	Service cover	1		
3	4812114565	Bracket	1		
4	4700601001	Washer	2		
5	4700500004	Screw M5x12 8,8	2		
6	4812114566	Turn fastener	1		
7	4812114567	Speed nut	8		
8	-	Screw	8		
9	-	Socket, 24V	1		

4812120545 Platform with 4-post ROPS Handrail

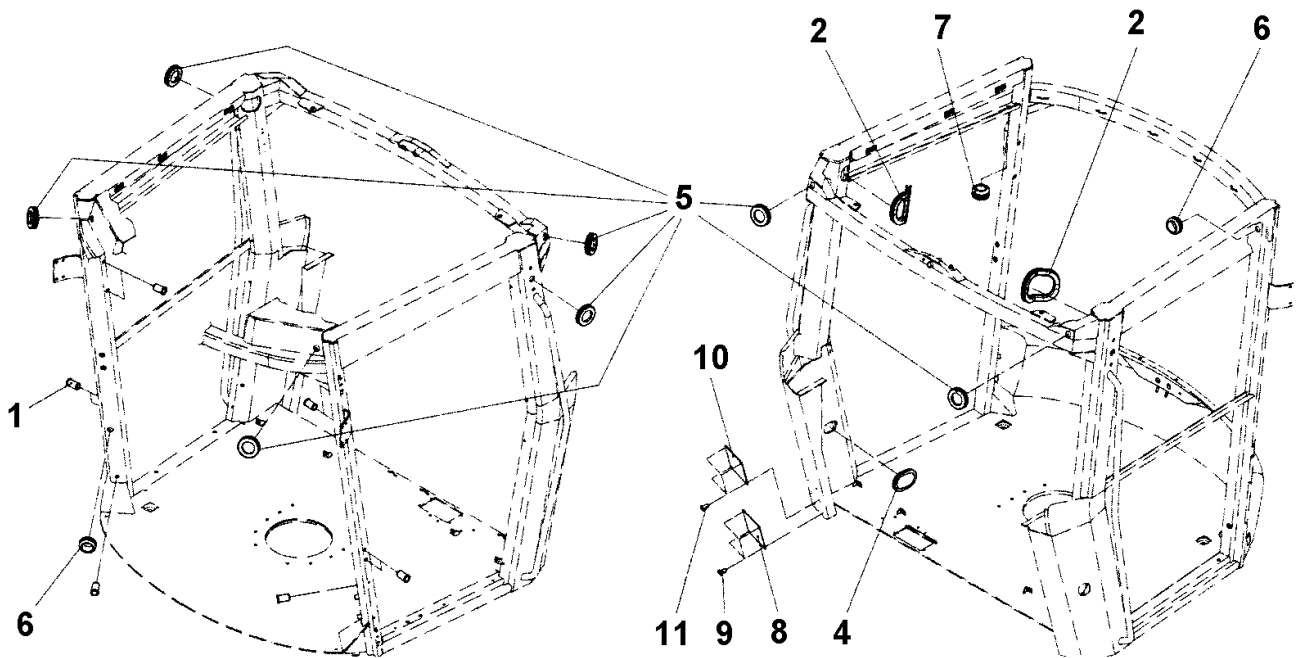


Refer to Parts Online for the most up to date information. The printed information might be outdated.

Wed Apr 11 13:34:03 UTC 2018

Item	Part No.	Name	Qty	L	SN INFO
1	4812114569	Handrail	1		
2	-	Screw	4		
3	4700904557	Washer, 10.5x22x4 mm 300 HV	2		
4	4700791172	Lock nut M10 DIN985	2		

4812120545 Platform with 4-post ROPS Cab, basic kit



Refer to Parts Online for the most up to date information. The printed information might be outdated.

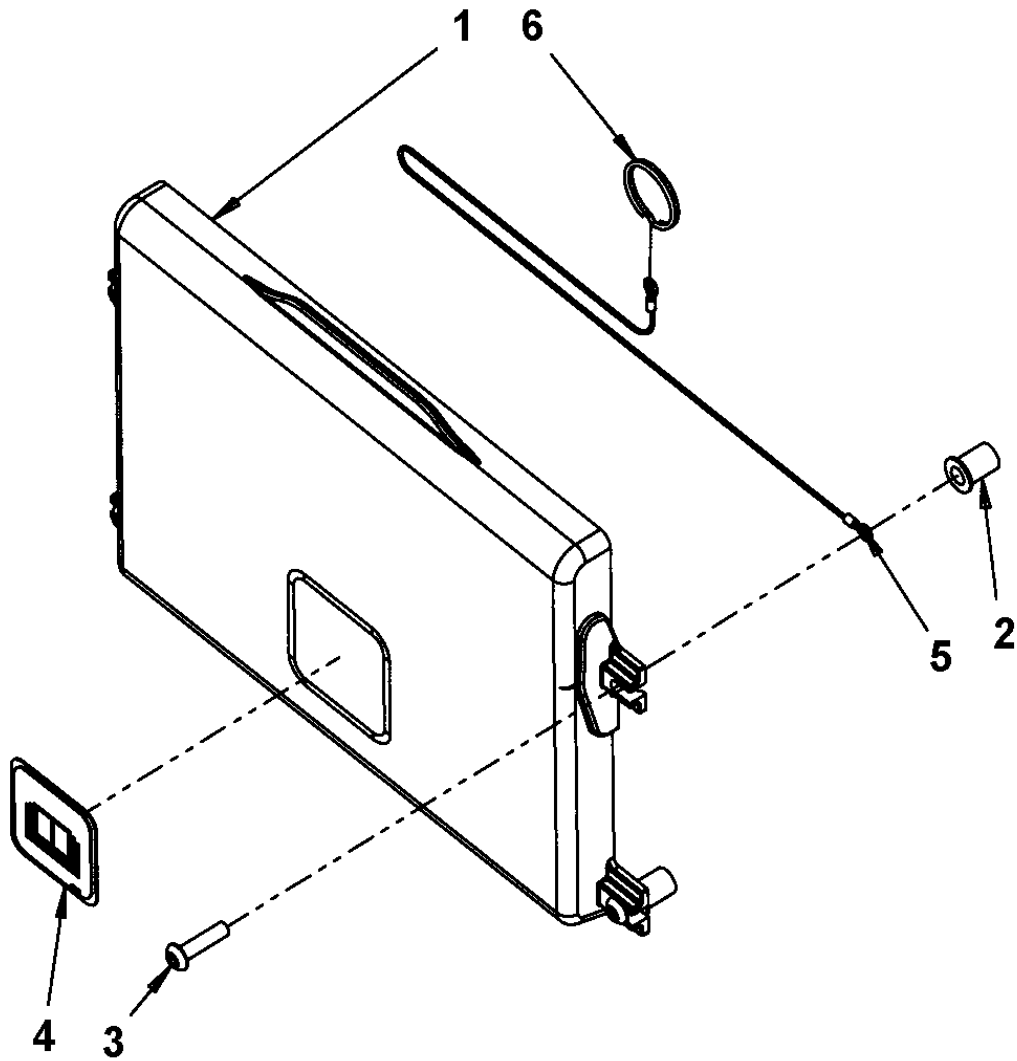
Wed Apr 11 13:34:03 UTC 2018

Item	Part No.	Name	Qty	L	SN INFO
1	4700792103	Blind insert nut	10		
2	4700902379	Edge trim	2XL	A	
4	4812115186	Cover	1		
5	4700929587	Grommet	7		
6	4700909129	Grommet	2		
7	-	Grommet	1		
8	-	Sign, rops	1		
9	-	Screw	4		
10	-	Sign, fops	1		
11	-	Screw	4		

Comments for Page: Cab, basic kit

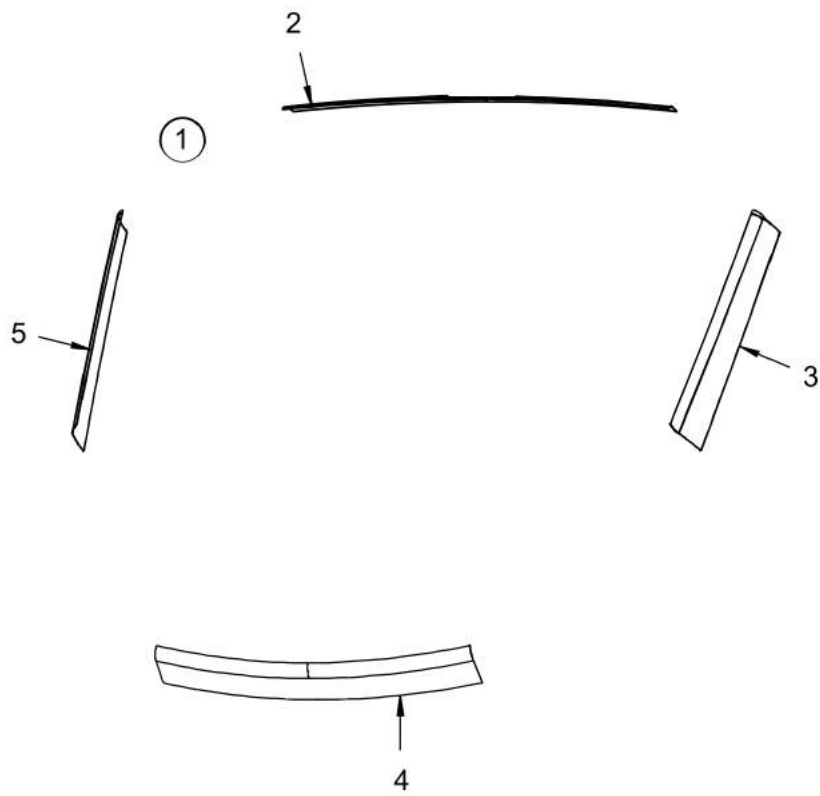
(L)OCAL REMARKS

A | en_US | L=0.263m

Platform, rops Manual box

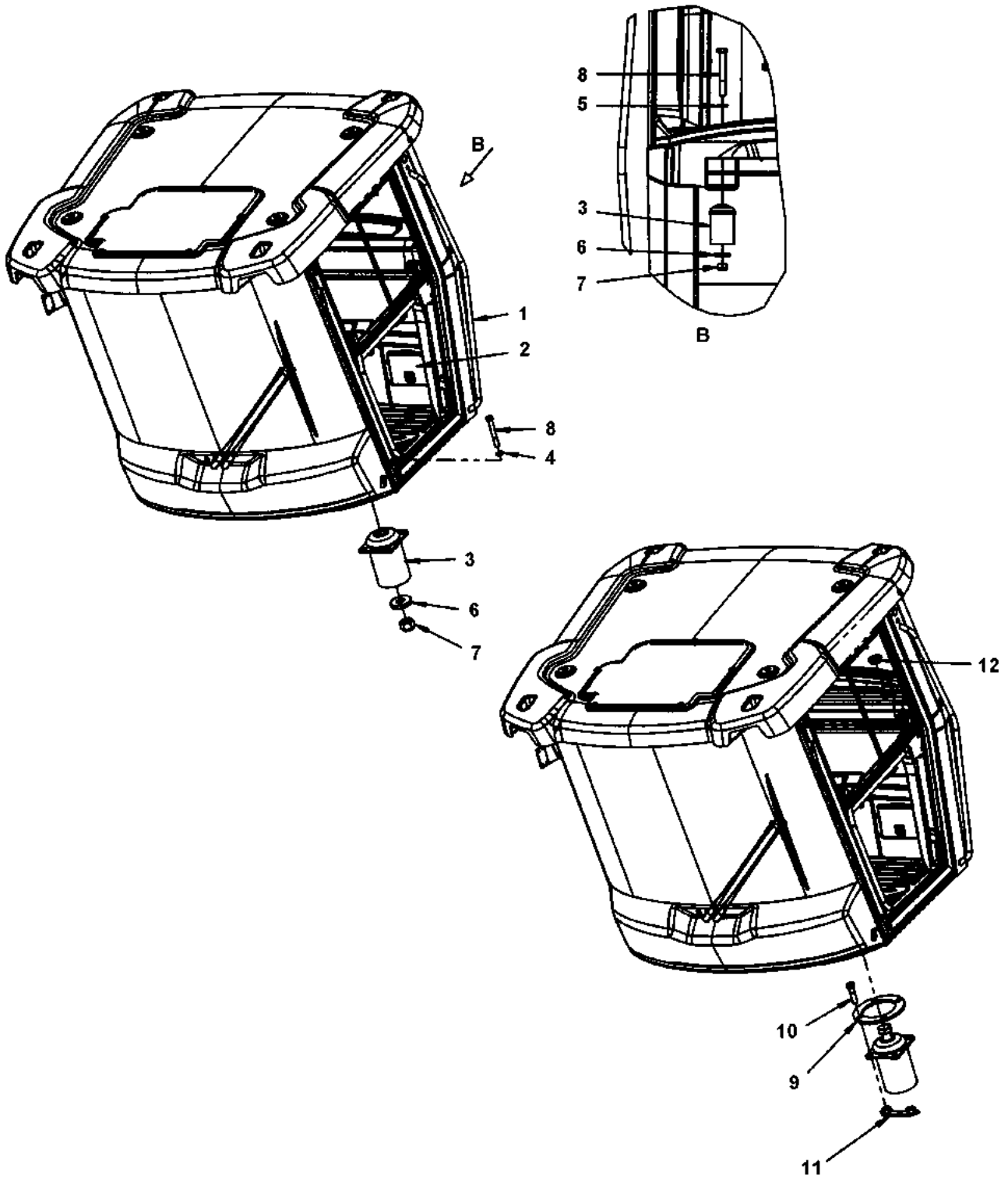
Item	Part No.	Name	Qty	L	SN INFO
1	4700383705	Instruction manual box	1		
2	4700792536	Rubber nut	4		
3	4700792589	Screw	4		
4	4700903425	Safety decal "READ SAFETY INSTRUCTIONS"	1		
5	4700384584	Wire	1		
6	4700358254	Key-ring	1		

Platform, rops Decals basic kit



Item	Part No.	Name	Qty	L	SN INFO
1	4812120070	Decal cosmetic, kit	1		
2	--	Decal cosmetic Yellow	1		
3	--	Decal cosmetic Yellow	1		
4	--	Decal cosmetic Yellow	1		
5	--	Decal cosmetic Yellow	1		

Cab symmetric module Cab symmetric module

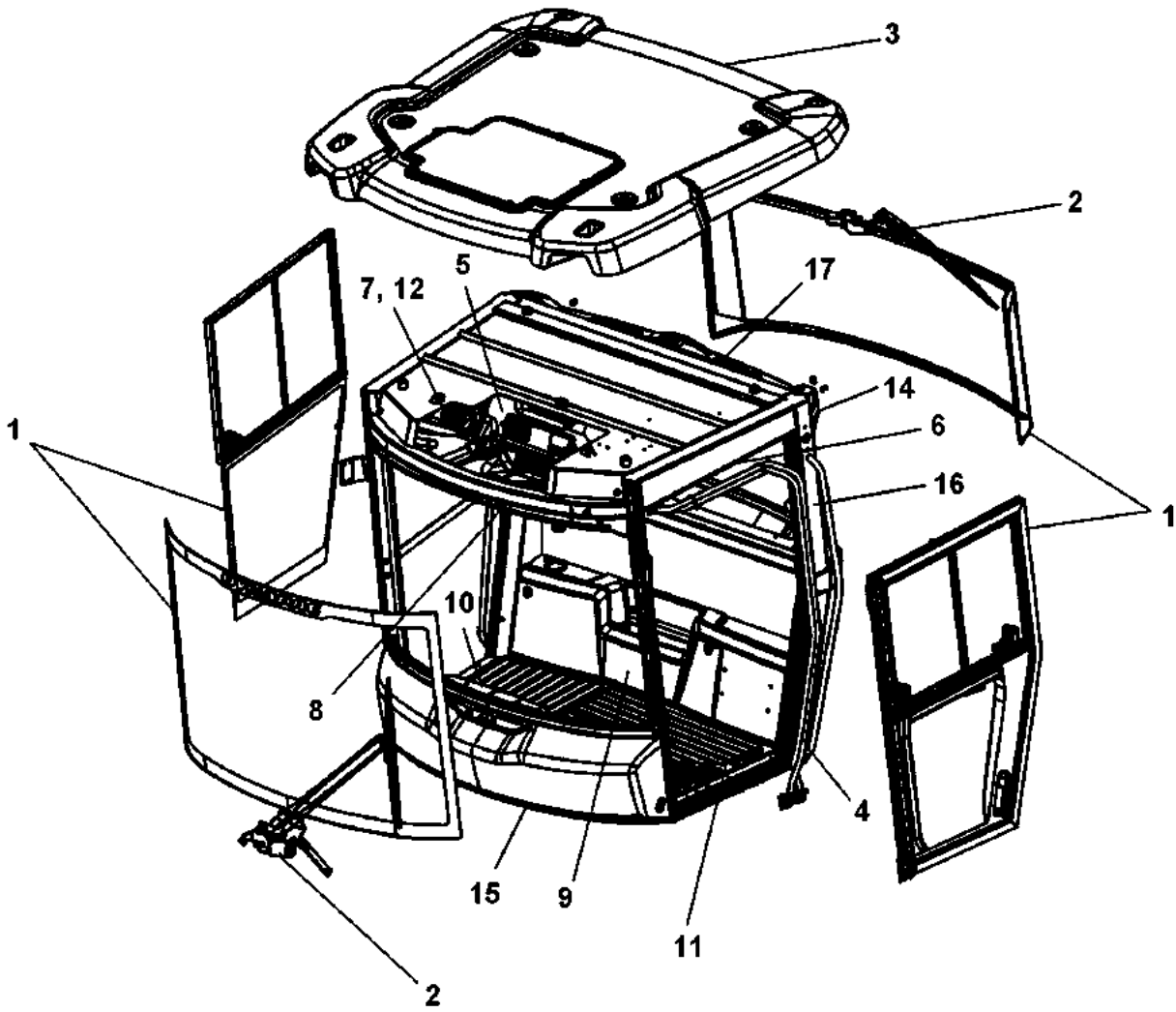


Refer to Parts Online for the most up to date information. The printed information might be outdated.

Wed Apr 11 13:34:04 UTC 2018

Item	Part No.	Name	Qty	L	SN INFO
1	4812112301	Cab, cpl Comfort	1		
1	4812112302	Cab, cpl Basic	1		
2	-	Manual box	1		
3	4700374606	Shock absorber Green	4		
4	4700904233	Steel plain washer 21x36x3	2		
5	4700903290	Steel plain washer 21x36x6	2		
6	4700927410	Washer	4		
7	4700901145	Lock nut M20-10	4		
8	4700903633	Screw M20x150 10,9	4		
9	4700359998	Back-up ring	4		
10	4700500056	Screw, M12x45 mm 8.8 A3K	16		
11	4700393525	Holder	8		
12	4812115387	Protective plug	2		

4812112301 Cab, cpl Comfort 4812112301 Cab, cpl Comfort

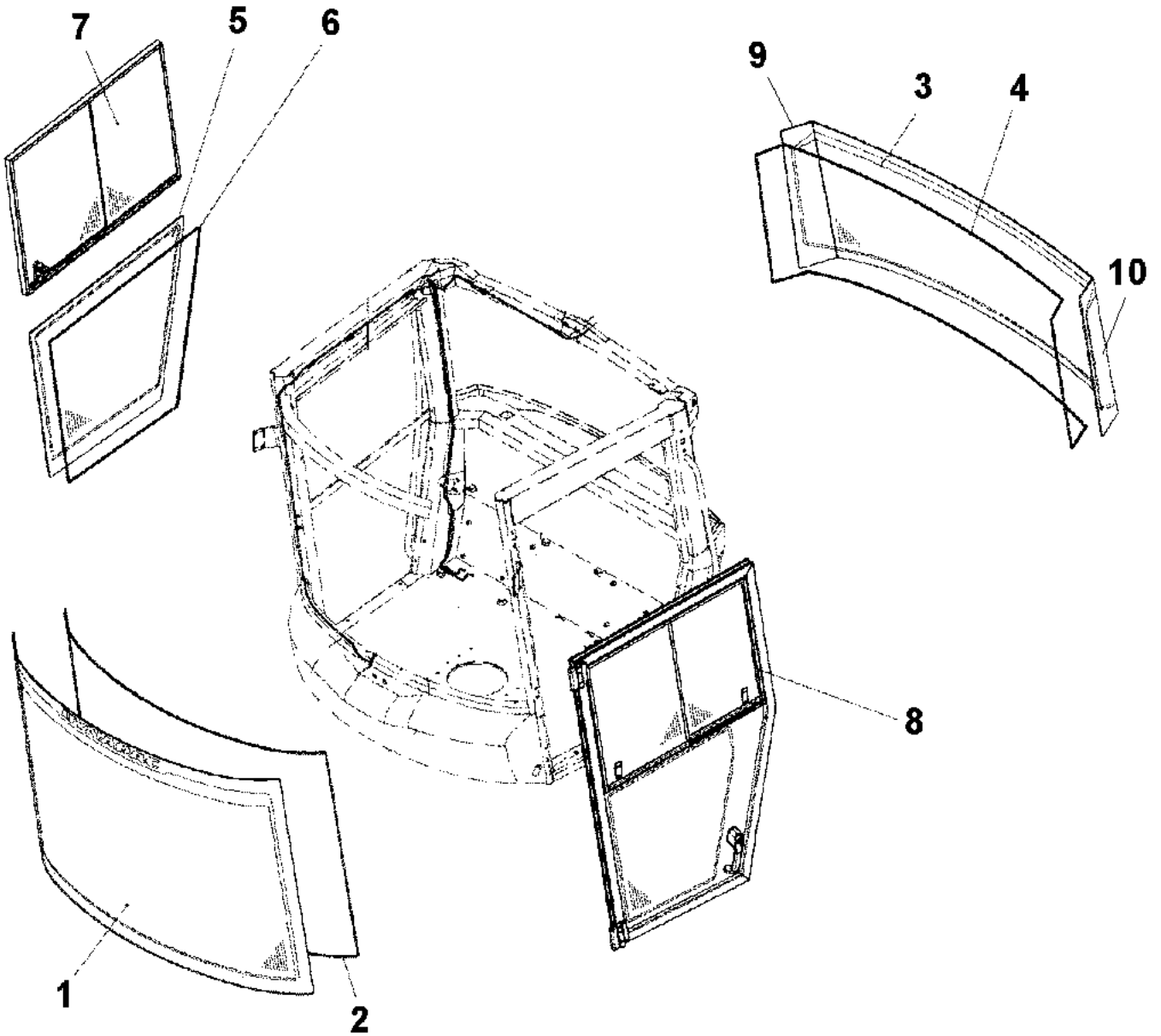


Refer to Parts Online for the most up to date information. The printed information might be outdated.

Wed Apr 11 13:34:04 UTC 2018

Item	Part No.	Name	Qty	L	SN INFO
1	-	Screens	1		
2	-	Windshield wiper	1		
3	-	Roof	1		
4	-	Hose kit heater	1		
5	-	Cab Interior	1		
6	-	Cab cable harness	1		
7	-	Cab, electrical equipment	1		
8	-	Emergency hammer, hook	1		
9	-	Cab, rear cover	1		
10	-	Cab, front cover	1		
11	-	Floor mat	1		
12	-	Step light, wiper switch	1		
14	-	Cab, basic kit	1		
15		Rops	1		
16	-	Air channel	1		
17	-	Sun-blind, inner light	1		

4812112301 Cab, cpl Comfort Screens



Refer to Parts Online for the most up to date information. The printed information might be outdated.

Wed Apr 11 13:34:04 UTC 2018

Item	Part No.	Name	Qty	L	SN INFO
1	4812114586	Front screen	1		
2	4812159184	Rubber list	1XL	A	
3	4812158164	Rear screen middle	1		
4	4812159184	Rubber list	1XL	B	
5	4812114587	Side screen	1		
6	4812159184	Rubber list	1XL	C	
7	4812114588	Sliding screen	1		
8	4812115202	Cab door, cpl	1		
9	4812158165	Rear screen right	1		
10	4812158163	Rear screen left	1		

Comments for Page: Screens

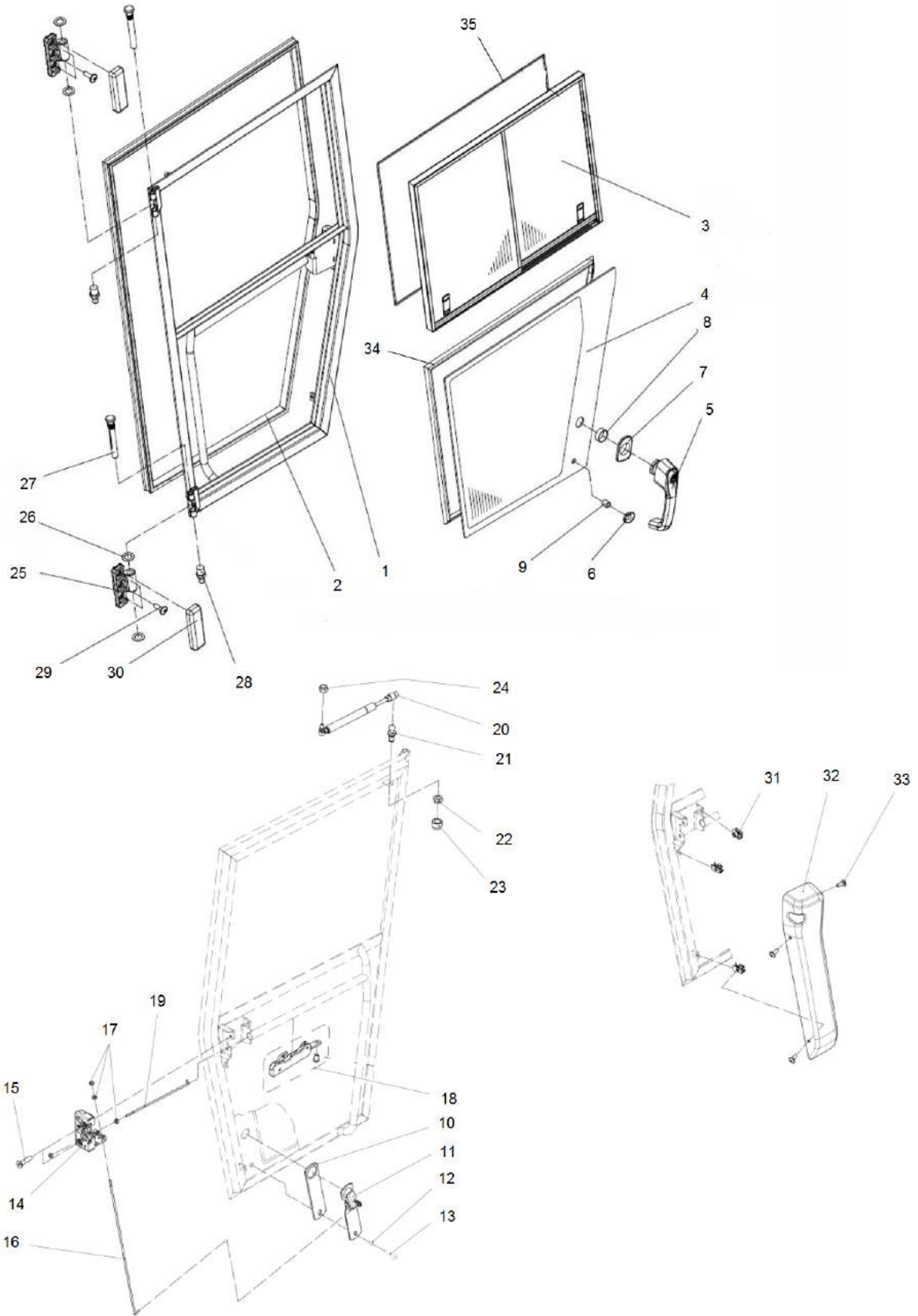
(L)OCAL REMARKS

A | en_US | L=5.002m

B | en_US | L=4.779m

C | en_US | L=2.99m

4812112301 Cab, cpl Comfort 4812115202 Cab door, cpl



Refer to Parts Online for the most up to date information. The printed information might be outdated.

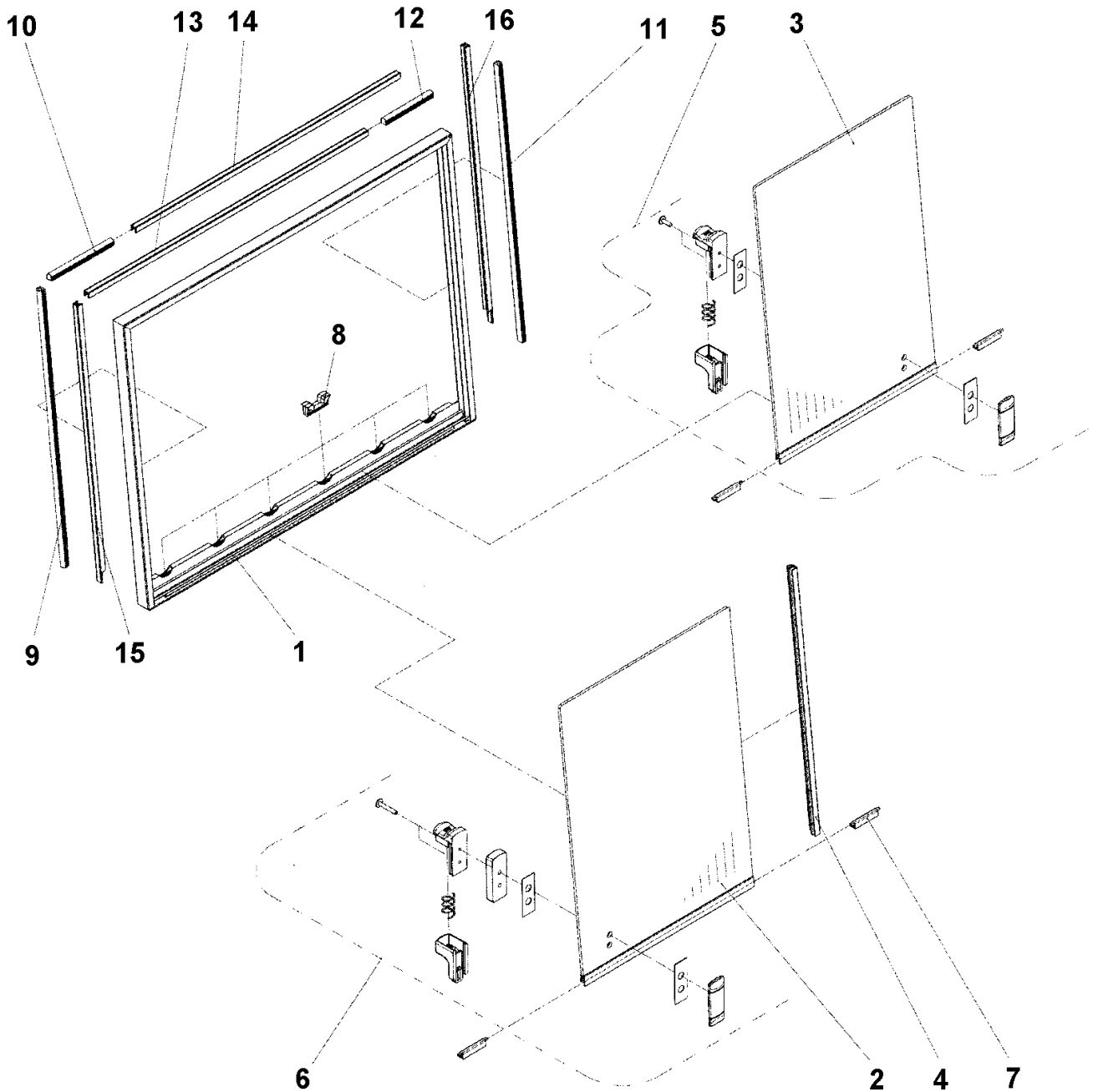
Wed Apr 11 13:34:05 UTC 2018

Item	Part No.	Name	Qty	L	SN INFO
1	4812116199	Door	1		
2	4812159183	Rubber list	4.41		
3	4812115200	Sliding screen, left hand	1		
4	4812114593	Screen	1		
5	4812115203	Handle	1		
5	4812159558	Key (2pcs)	1		
6	4812115204	Washer	1		
7	4812115205	Washer	1		
8	4812115206	Washer	1		
9	4812115207	Bushing	1		
10	4812115208	Rubber gasket	1		
11	4812115209	Bracket	1		
12	4700904228	Washer 6,4x12x1,5	1		
13	-	Screw, M6x25	1		
14	4812115210	Lock	1		
15	-	Screw, M8x35	2		
16	4812115211	Lock rod	1		
17	4700570005	Hexagon nut	4		
18	4812115212	Lock handle	1		
19	4812115213	Lock rod	1		
20	4812115214	Gas spring	1		
21	4812115215	Ball stud	1		
22	4700791182	Nut, M8 -8 DIN985	1		
23	-	Protecting cap	1		
24	4700791182	Nut, M8 -8 DIN985	1		
25	4812115216	Hinge	2		
26	-	Gasket	4		
27	4812115217	Pin	2		
28	-	Lubrication nipple	2		
29	-	Screw, M8x25	6		
30	4812115218	Hinge	2		
31	4812161353	Speed nut	3		
32	4812115201	Door cover	1		
33	4812161352	Screw	3		
34	4812161098	Seal list	2,75 6		
35	4812161099	Seal list	2,77		

Refer to Parts Online for the most up to date information. The printed information might be outdated.

Wed Apr 11 13:34:05 UTC 2018

4812112301 Cab, cpl Comfort 4812115200 Sliding screen, left hand



Refer to Parts Online for the most up to date information. The printed information might be outdated.

Wed Apr 11 13:34:05 UTC 2018

Item	Part No.	Name	Qty	L	SN INFO
1	-	Window frame	1		
2	4812115225	Screen	1		
-	4812161251	Sealing bar	1		
3	4812115226	Screen	1		
4	4812160388	Sealing bar	1		
5	4812115219	Handle	1		
6	4812115220	Handle	1		
7	4812159775	Guide	4		
8	4812115223	Bracket	6		
9	4812161156	Strip	1XL	A	
10	4812161155	Strip	1XL	B	
11	4812161156	Strip	1XL	C	
12	4812161155	Strip	1XL	D	
13	4812160877	Window seal	1XL	E	
14	4812160877	Window seal	1XL	F	
15	4812160877	Window seal	1XL	G	
16	4812160877	Window seal	1XL	H	

Comments for Page: 4812115200 Sliding screen, left hand

(L)OCAL REMARKS

A | en_US | L=0.612m

B | en_US | L=0.15m

C | en_US | L=0.613m

D | en_US | L=0.117m

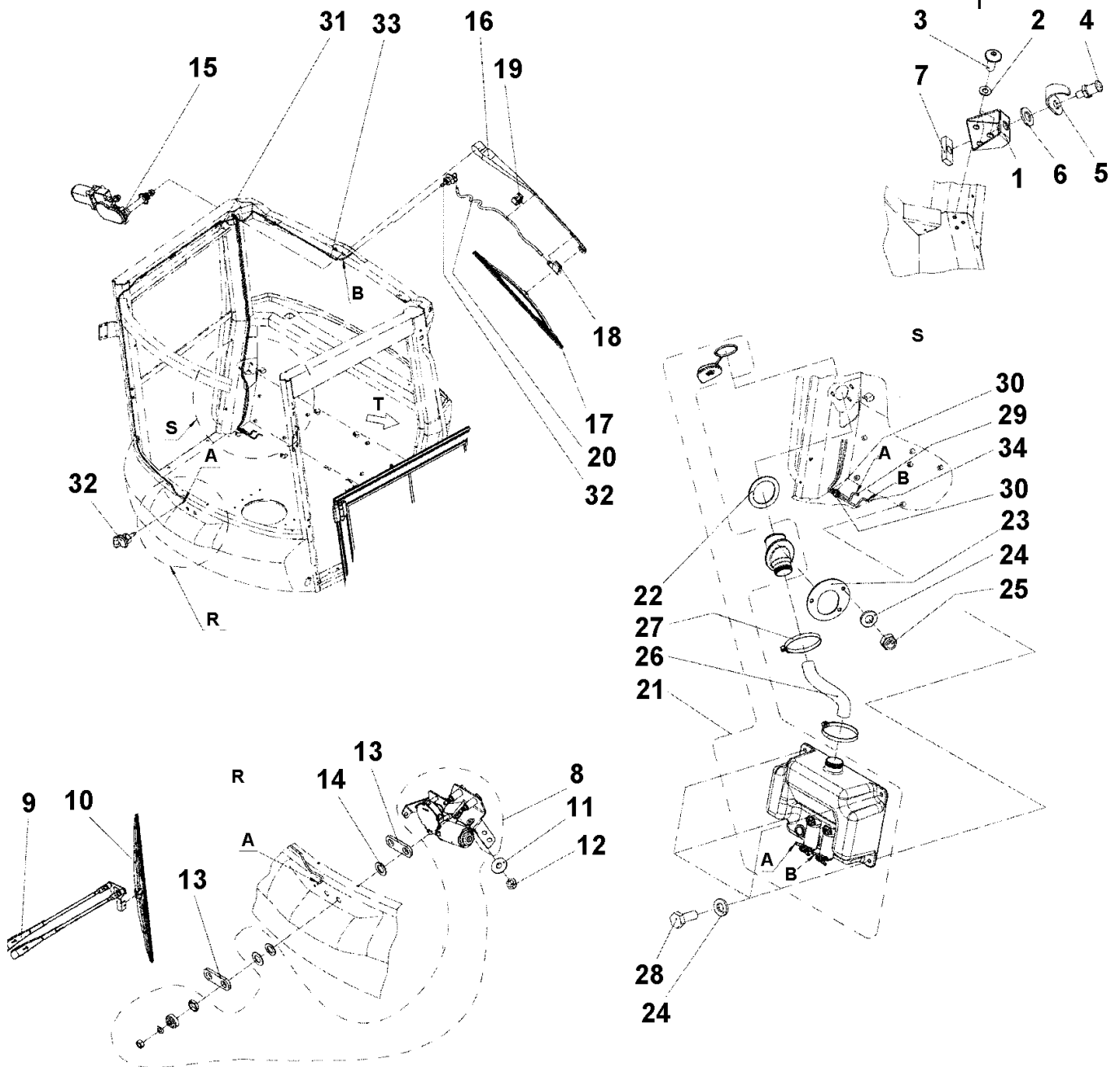
E | en_US | L=0.676m

F | en_US | L=0.643m

G | en_US | L=0.612m

H | en_US | L=0.613m

4812112301 Cab, cpl Comfort Windshield wiper



Refer to Parts Online for the most up to date information. The printed information might be outdated.

Wed Apr 11 13:34:06 UTC 2018

Item	Part No.	Name	Qty	L	SN INFO
1	4812114606	Bracket	1		
2	-	Gasket	3		
3	-	Screw	3		
4	4812114598	Bolt	1		
5	4812114599	Clamp	1		
6	4812114602	Washer	1		
7	4812114603	Plate	1		
8	4812114600	Wiper motor, front	1		
9	4812114604	Wiper arm w nozzle	1		
10	4812114605	Wiper blade, front	1		
11	4700601003	Washer, 8,4x25x2 mm	2		
12	4700791182	Nut, M8 -8 DIN985	2		
13	-	Spacer	2		
14	-	Gasket	2		
15	4812114601	Wiper motor, rear	1		
16	4812114607	Wiper arm	1		
17	4812114608	Wiper blade, rear	1		
18	4812114610	Nozzle	1		
19	4812114609	Clamp	1		
20	4812114611	Hose	1XL	A	
21	4812114612	Water tank	1		
21	4812158293	Cap	1		
21	4812160666	Electric washer pump	2		
22	4812161158	Rubber seal	1XL	F	
23	4812114613	Bracket	1		
24	4700904228	Washer 6,4x12x1,5	7		
25	4700904563	Lock nut M6	3		
26	4812115162	Filling pipe	1		
27	4700313023	Hose clamp	2		
28	4700500013	Screw, M6x16 mm 8.8 A2K	4		
29	4812114611	Hose	1XL	B	
30	4700908564	Check valve	2		
31	4812114611	Hose	1XL	C	
32	4700908561	Grommet	2		
33	4812114611	Hose	1XL	D	
34	4812114611	Hose	1XL	E	

Refer to Parts Online for the most up to date information. The printed information might be outdated.

Wed Apr 11 13:34:06 UTC 2018

Comments for Page: Windshield wiper

(L)OCAL REMARKS

A | en_US | L=0.415

B | en_US | L=0.122

C | en_US | L=4.4

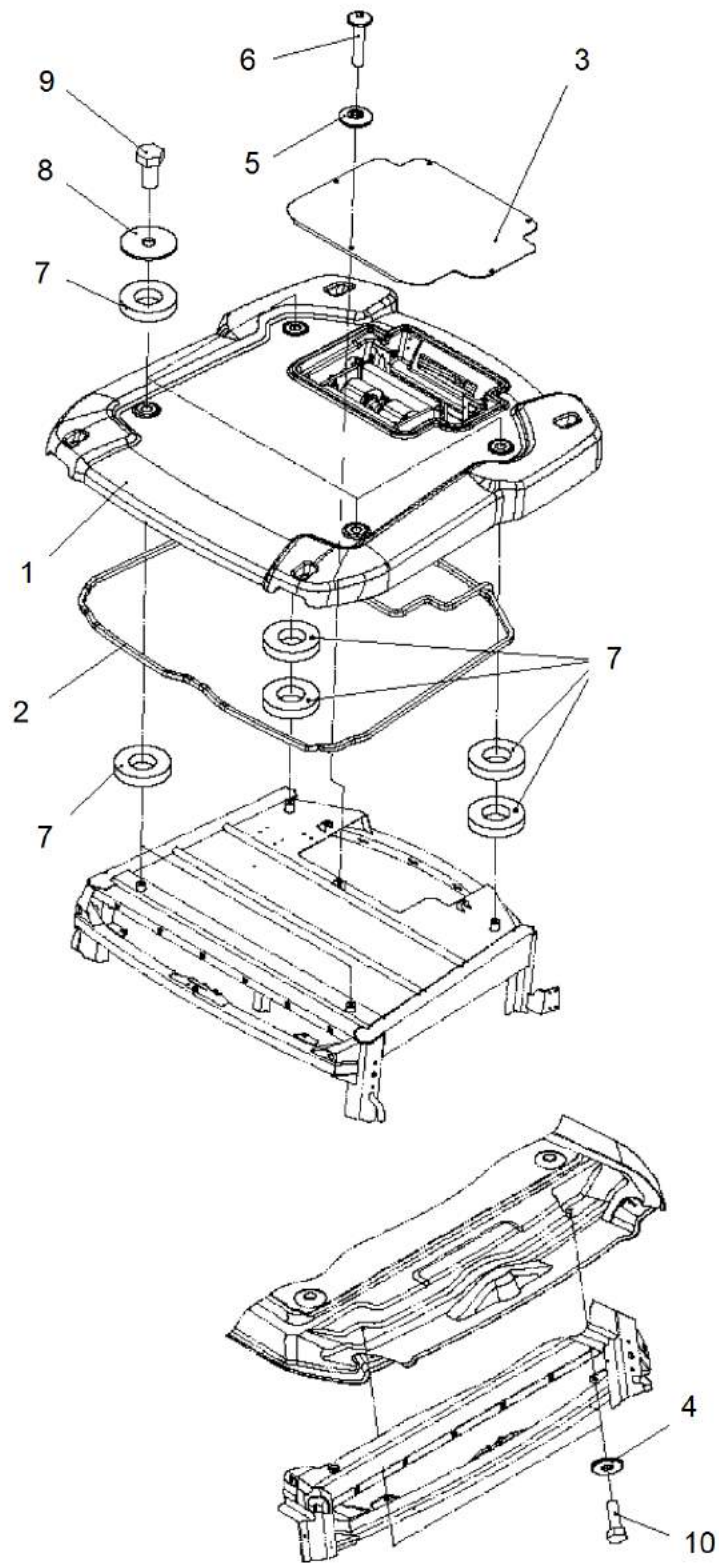
D | en_US | L=2.55

E | en_US | L=0.161

F | en_US | L=0.201m

This page intentionally left blank

4812112301 Cab, cpl Comfort Roof



Refer to Parts Online for the most up to date information. The printed information might be outdated.

Wed Apr 11 13:34:06 UTC 2018

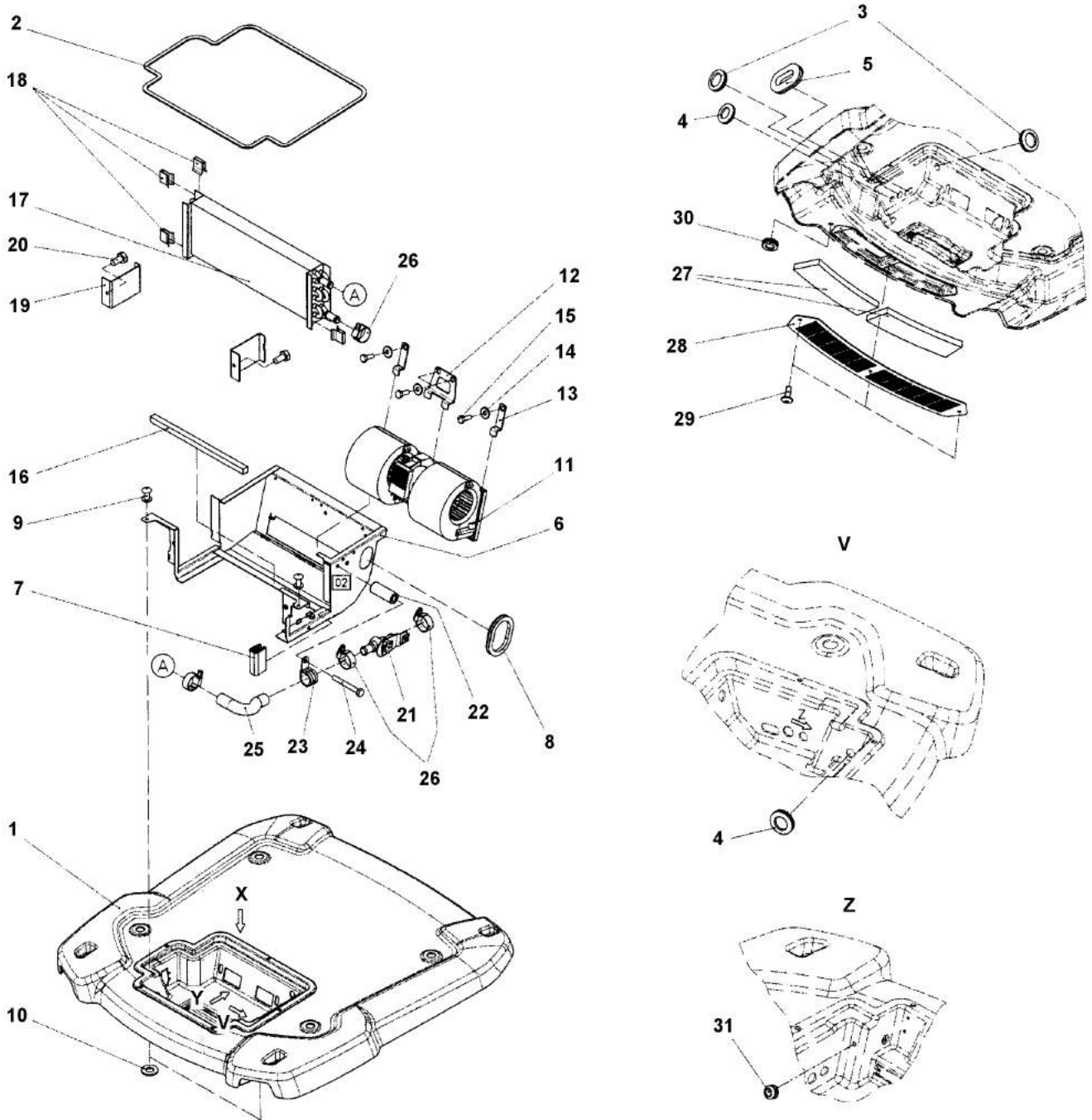
Item	Part No.	Name	Qty	L	SN INFO
1	-	Heater assy	1		
2	4812115164	Rubber strip	1XL	A	
3	4812115165	AC hood	1		
4	4700601003	Washer, 8,4x25x2 mm	2		
5	4812120255	Seal washer	5		
6	-	Screw	5		
7	4812115170	Seal washer	10		
8	4812115171	Washer	4		
9	-	Screw	4		
10	4700947680	Hexagon head screw m	2		

Comments for Page: Roof

(L)OCAL REMARKS

A | en_US | L=6.7m

4812112301 Cab, cpl Comfort Heater Assy



Refer to Parts Online for the most up to date information. The printed information might be outdated.

Wed Apr 11 13:34:06 UTC 2018

Item	Part No.	Name	Qty	L	SN INFO
1	4812116201	Roof	1		
2	4812161165	Foam strip (Xm)	1XL	A	
3	-	Grommet	2		
4	4700929587	Grommet	2		
5	4812115228	Grommet	1		
6	4812115229	Bracket	1		
7	4700202028	Edge trim	1XL	B	
8	4812115186	Cover	1		
9	4700791666	Blind rivet	2		
10	4700904229	Washer, 8.4x 6x1.5 mm 300HV	2		
11	4812158485	Fan 24V	1		
12	4812115230	Bracket	1		
13	4812116192	Bracket	2		
14	4700904229	Washer, 8.4x 6x1.5 mm 300HV	4		
15	-	Hexagon screw	4		
16	4812115164	Rubber strip	1XL	C	
17	4812116193	Heater coil	1		
18	4812116194	Clip	4		
19	4812116195	Bracket	2		
20	4700500012	Hex. screw	2		
21	4700939693	Heater control valve	1		
22	4700372174	Spacer	1		
23	4700903670	Clamp	1		
24	4700500079	Screw M6-1x50 8,8	1		
25	4700205112	Coolant hose	1XL	D	
26	4700313004	Hose clamp 19-29mm	4		
27	4812116197	Air filter	2		
28	4812116198	Cover	1		
29	4812161352	Screw	3		
30	4700791475	Grommet	1		
31	-	Grommet	1		

Comments for Page: Heater assy

(L)OCAL REMARKS

A | en_US | L = 2.56m

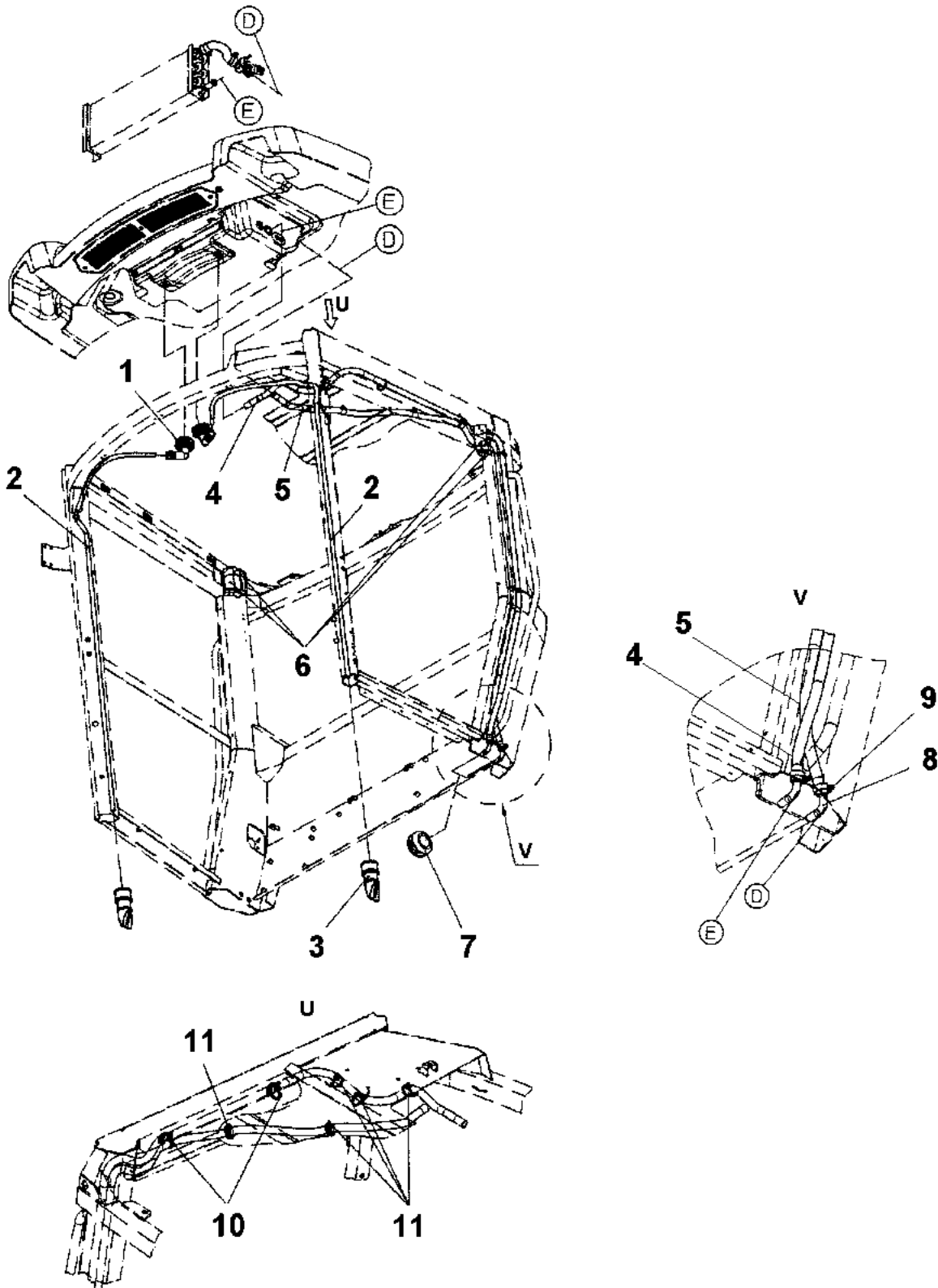
B | en_US | L = 0.028

C | en_US | L = 0.407m

D | en_US | L = 0.15m

This page intentionally left blank

4812112301 Cab, cpl Comfort Hose kit heater



Refer to Parts Online for the most up to date information. The printed information might be outdated.

Wed Apr 11 13:34:07 UTC 2018

Item	Part No.	Name	Qty	L	SN INFO
1	4812115167	Connector	2		
2	4812115168	Drain hose	2XL	A	
3	4812115169	Drain valve	2		
4	4700205112	Coolant hose	1XL	B	
5	4700205112	Coolant hose	1XL	C	
6	-	Foam	1		
7	-	Grommet	1		
8	4812115172	Connection pipe	2		
9	4700313004	Hose clamp 19-29mm	2		
10	4700313041	Cable ties, L=200 mm	2		
11	4700792441	Cable tie with holder	5		

Comments for Page: Hose kit heater

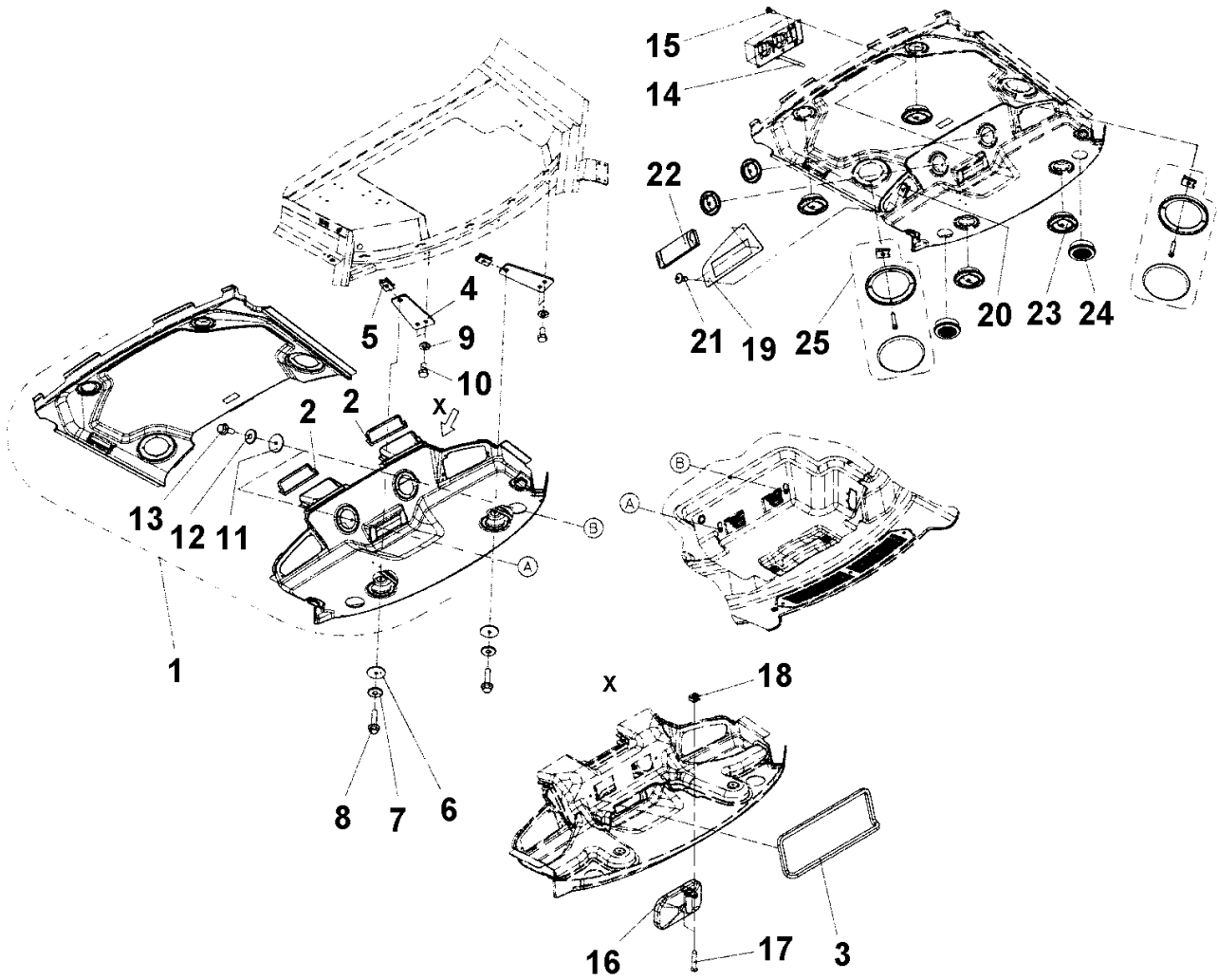
(L)OCAL REMARKS

A | en_US | L=1.96m

B | en_US | L=2.831m

C | en_US | L=2.5m

4812112301 Cab, cpl Comfort Cab Interior



Refer to Parts Online for the most up to date information. The printed information might be outdated.

Wed Apr 11 13:34:07 UTC 2018

Item	Part No.	Name	Qty	L	SN INFO
1	4812158992	Inner panel, cpl	1		
2	4812160772	Rubber list	2XL	A	
3	4812160771	Seal	1XL	B	
4	4812115175	Bracket	2		
5	4812114567	Speed nut	2		
6	-	Gasket	2		
7	4700928381	Washer, 6.4x18x1.6 mm	2		
8	-	Screw	2		
9	4700904228	Washer 6,4x12x1,5	4		
10	4700500012	Hex. screw	4		
11	-	Gasket	2		
12	4700928381	Washer, 6.4x18x1.6 mm	2		
13	-	Screw	2		
14	-	Heater controls	1		
15	-	Screw	4		
16	4812115177	Mirror	1		
17	4812159768	Screw	2		
18	4812159767	Speed nut	2		
19	4812115178	Radio console	1		
20	4811000458	Speed nut	3		
21	-	Screw	3		
22	4812115179	Radio cover	1		
23	4812115180	Air nozzle	6		
24	-	Air inlet cover	2		
25	-	Speaker cover	2		

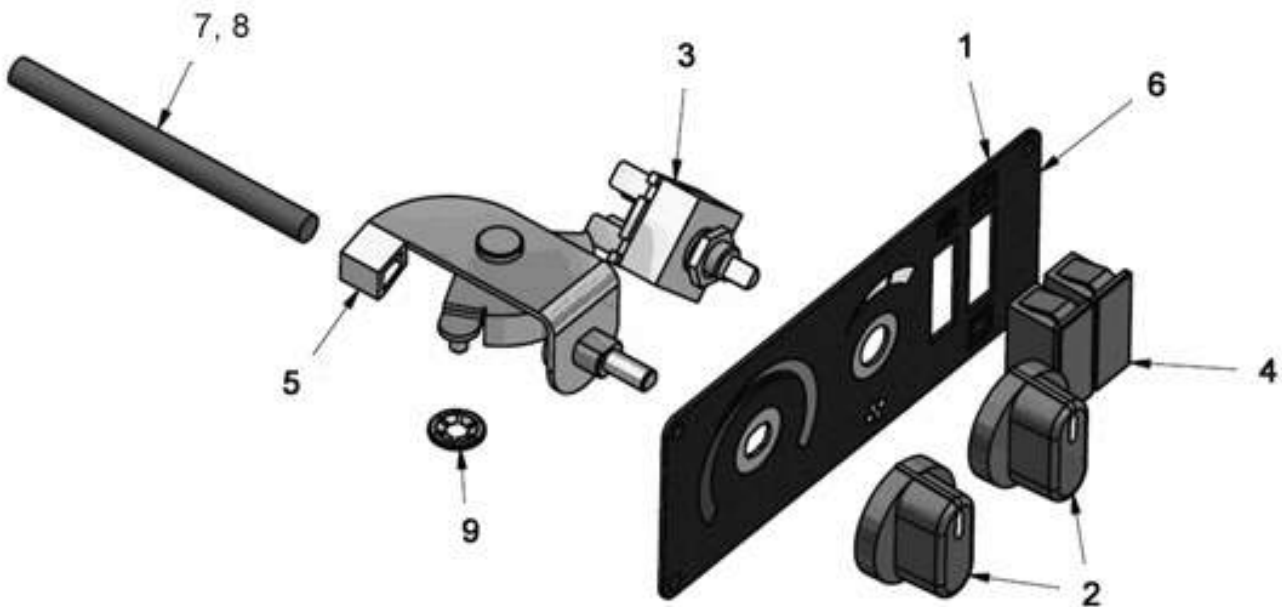
Comments for Page: Cab Interior

(L)OCAL REMARKS

A | en_US | L=0.525m

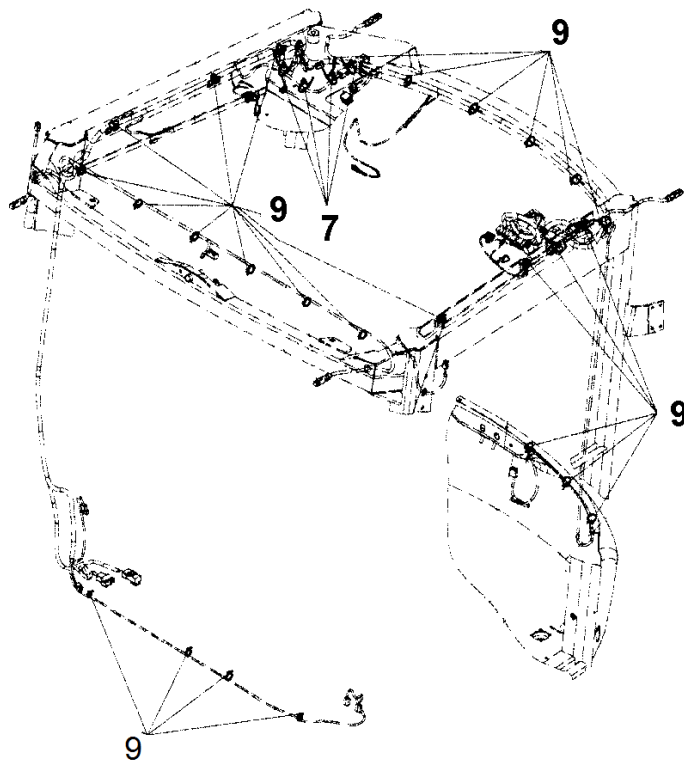
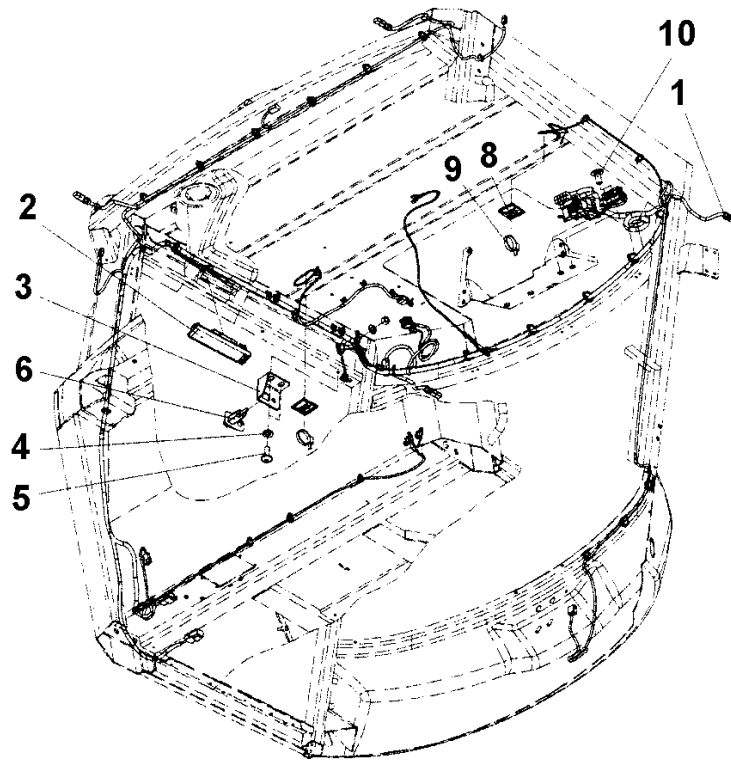
B | en_US | L=0.915m

4812112301 Cab, cpl Comfort Heater controls



Item	Part No.	Name	Qty	L	SN INFO
1	-	Panel plate	1		
2	4700377508	Knob	2		
3	4700938622	Switch	1		
4	-	Injector part	2		
5	4700377507	Rotary control	1		
6	-	Overlay	1		
7	4700395841	Wire clips	1		
8	-	Wire	1		
9	4700395843	Lock washer	2		

4812112301 Cab, cpl Comfort Cab cable harness

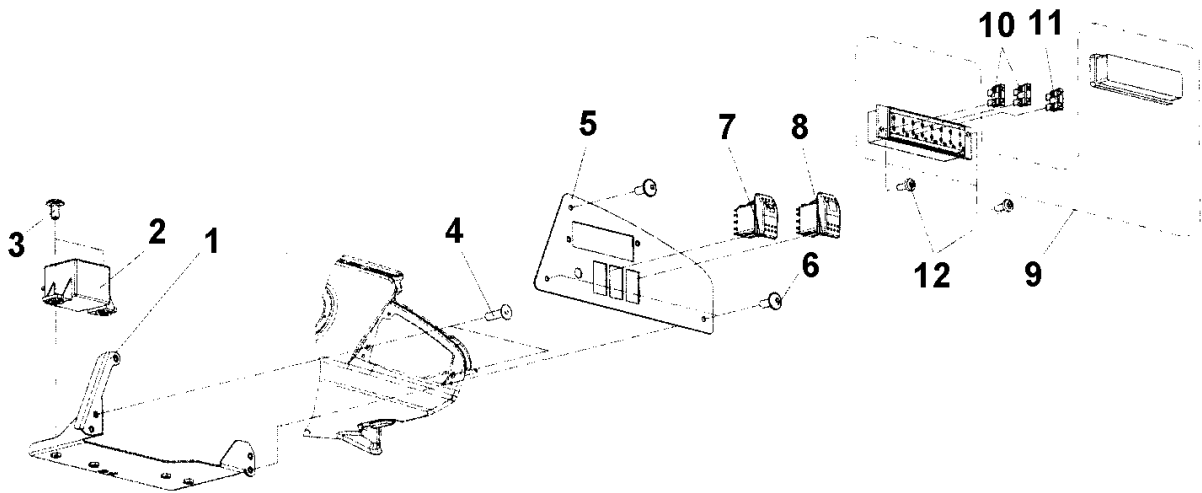


Refer to Parts Online for the most up to date information. The printed information might be outdated.

Wed Apr 11 13:34:07 UTC 2018

Item	Part No.	Name	Qty	L	SN INFO
1	4812115181	Cable harness	1		
2	4812120257	Inner light	1		
2	4700792715	Bulb, 10W	2		
3	4812115182	Bracket	1		
4	4700904228	Washer 6,4x12x1,5	2		
5	-	Screw	2		
6	4812115183	Door switch	1		
7	4700792441	Cable tie with holder	4		
8	4812161370	Cable support	2		
9	4700313041	Cable ties, L=200 mm	28		
10	-	Screw	2		

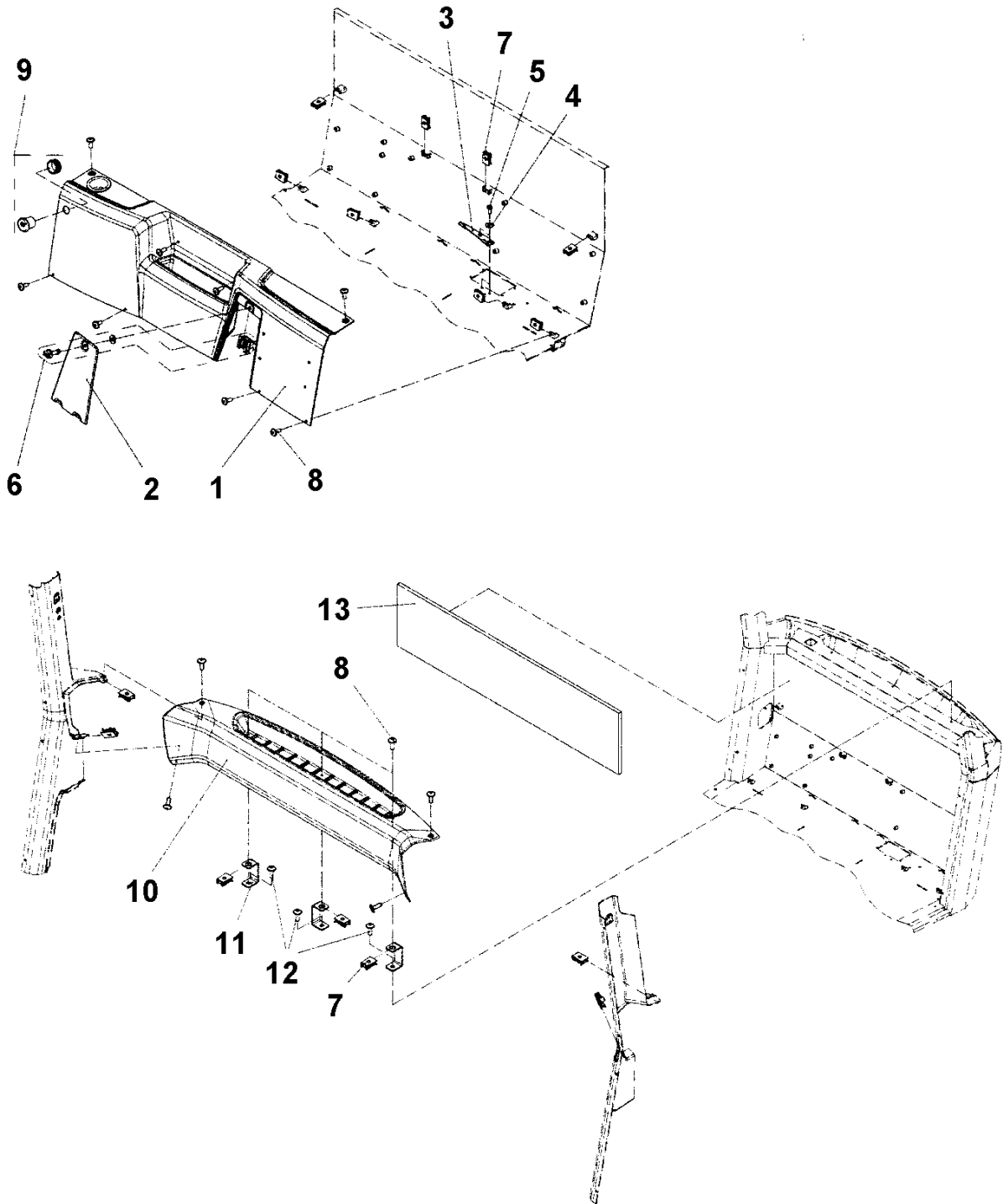
4812112301 Cab, cpl Comfort Cab, electrical equipment



Item	Part No.	Name	Qty	L	SN INFO
1	4812115184	Bracket	1		
2	4700792309	Relay	1		
3	-	Screw	2		
4	4700904504	Screw M5 x 18	2		
5	4812115185	Bracket	1		
6	-	Screw	3		
7	4812115187	Switch, Windshield wiper, rear	1		
8	4700792505	Switch, Windshield washers	1		
9	4700791185	Fuse box	1		
10	4700901227	Fuse 10A Red	2		
11	4700901228	Fuse, 15A Blue	1		
12	4700791966	Head screw M4 x 12	2		

Item	Part No.	Name	Qty	L	SN INFO
1	4700908505	Hook	2		
2	-	Screw	4		
3	4700908506	Emergency hammer hook	1		
4	-	Screw	2		
5	4700908507	Emergency hammer	1		
6	-	Pin	1		
7	4700903590	Decal emergency exit	1		

4812112301 Cab, cpl Comfort Cab, rear cover

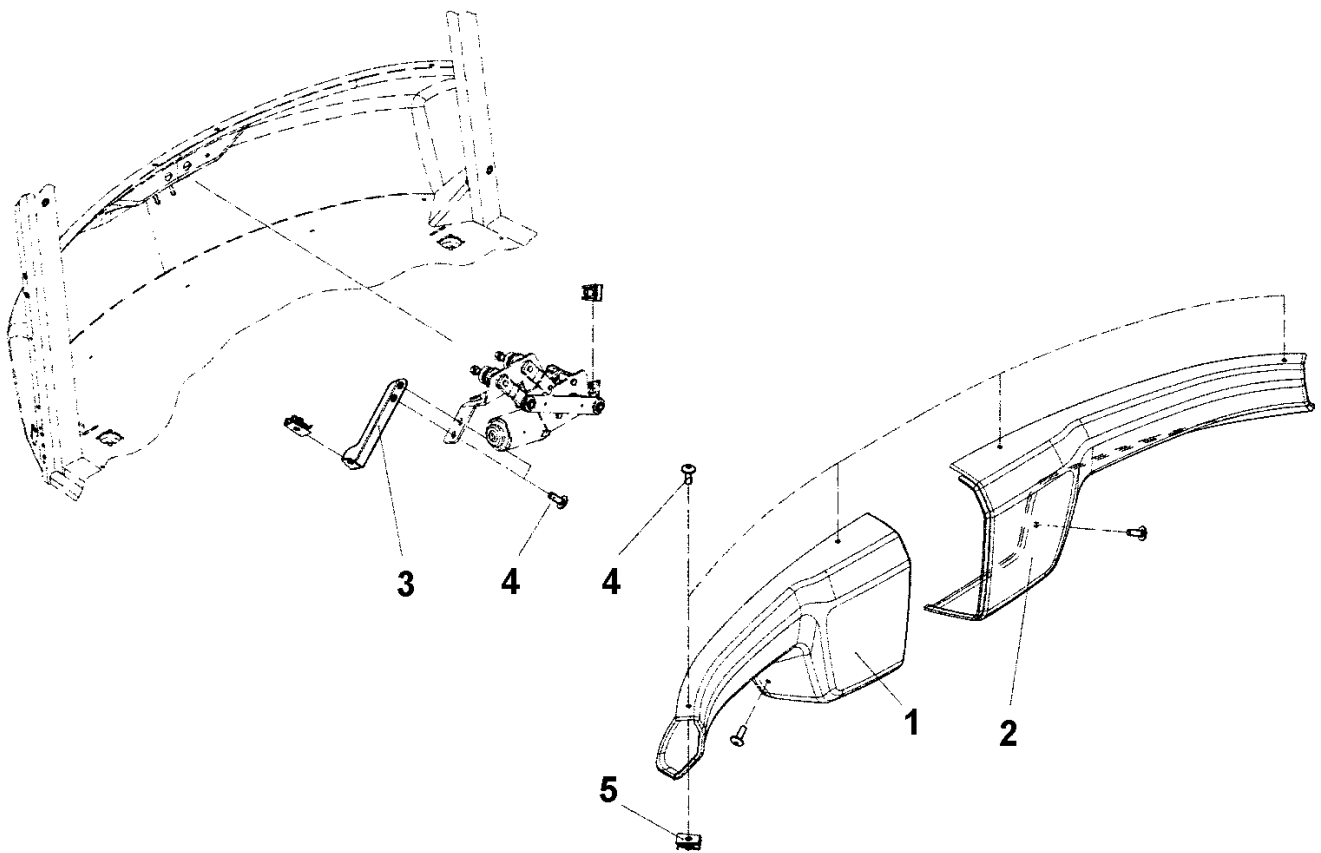


Refer to Parts Online for the most up to date information. The printed information might be outdated.

Wed Apr 11 13:34:08 UTC 2018

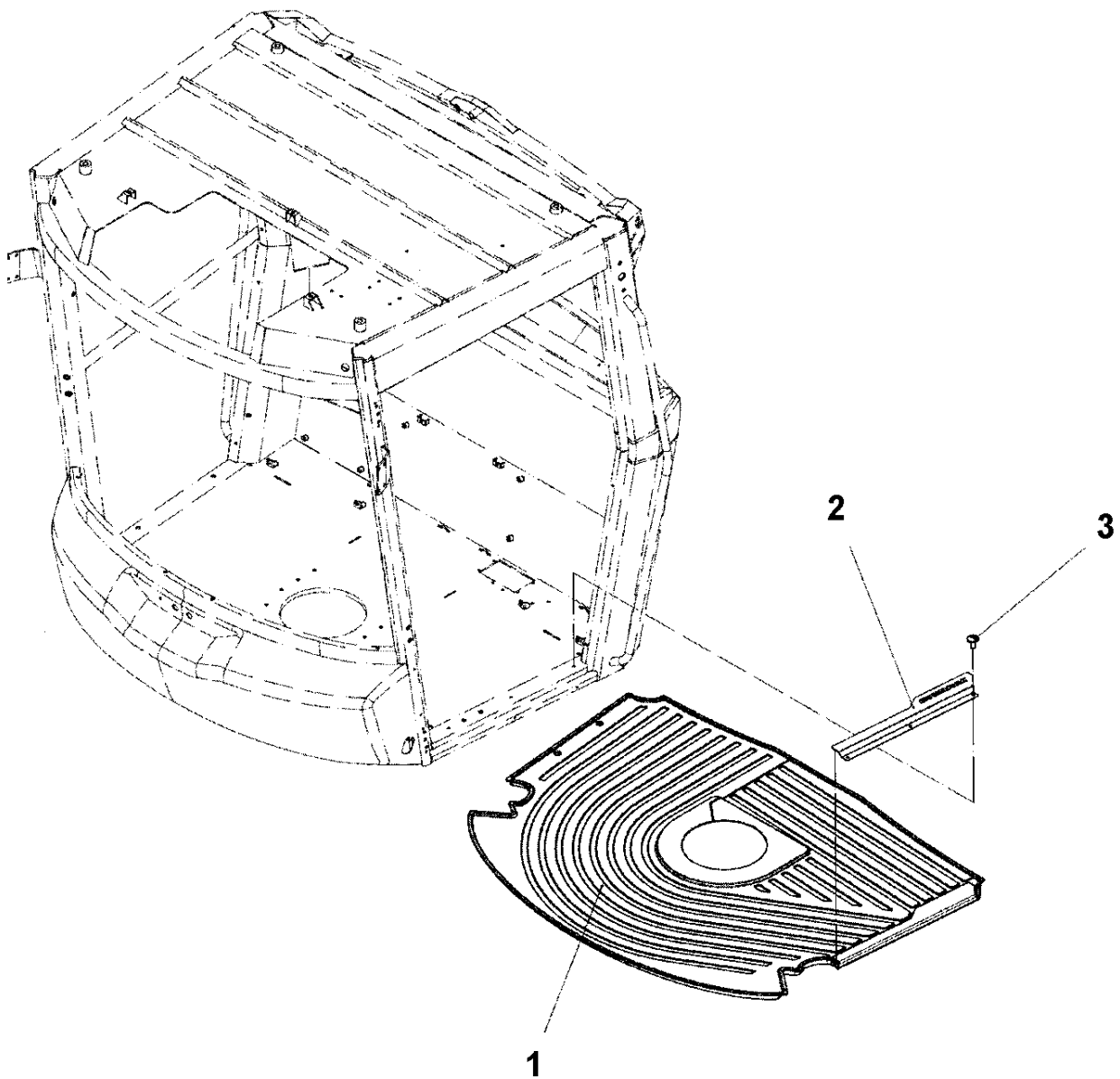
Item	Part No.	Name	Qty	L	SN INFO
1	4812114573	Cover	1		
2	4812114564	Service cover	1		
3	4812114565	Bracket	1		
4	4700601001	Washer	2		
5	4700500004	Screw M5x12 8,8	2		
6	4812114566	Turn fastener	1		
7	4812114567	Speed nut	15		
8	4812161352	Screw	15		
9	4700395816	Plug socket 24V	1		
10	4812114574	Cover	1		
11	4812114575	Bracket	3		
12	4812161352	Screw	3		
13	4812114576	Cover	1		

4812112301 Cab, cpl Comfort Cab, front cover



Item	Part No.	Name	Qty	L	SN INFO
1	4812114570	Cover	1		
2	4812114571	Cover	1		
3	4812114572	Bracket	1		
4	4812161352	Screw	8		
5	4812114567	Speed nut	6		

4812112301 Cab, cpl Comfort Floor mat

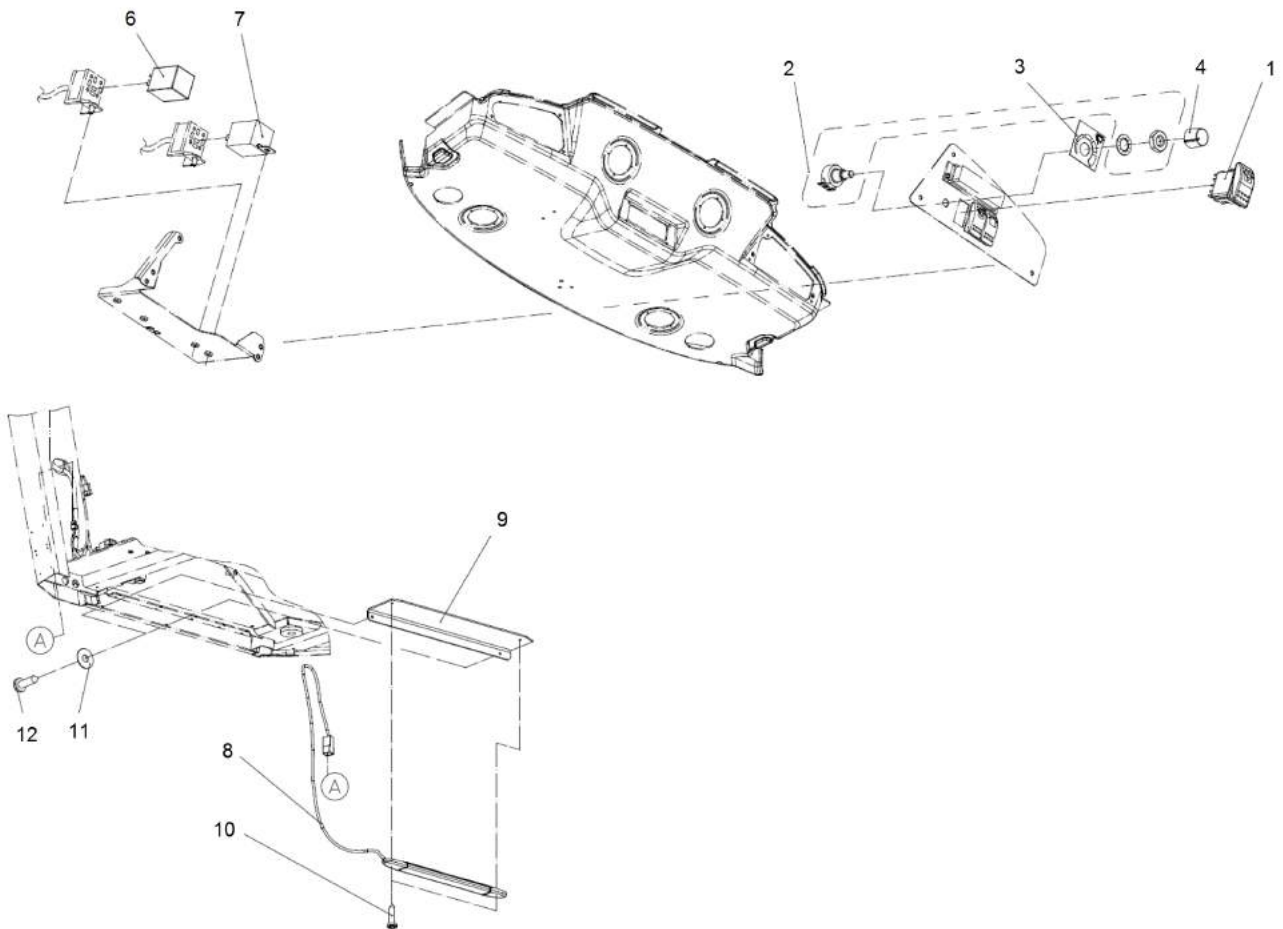


Refer to Parts Online for the most up to date information. The printed information might be outdated.

Wed Apr 11 13:34:08 UTC 2018

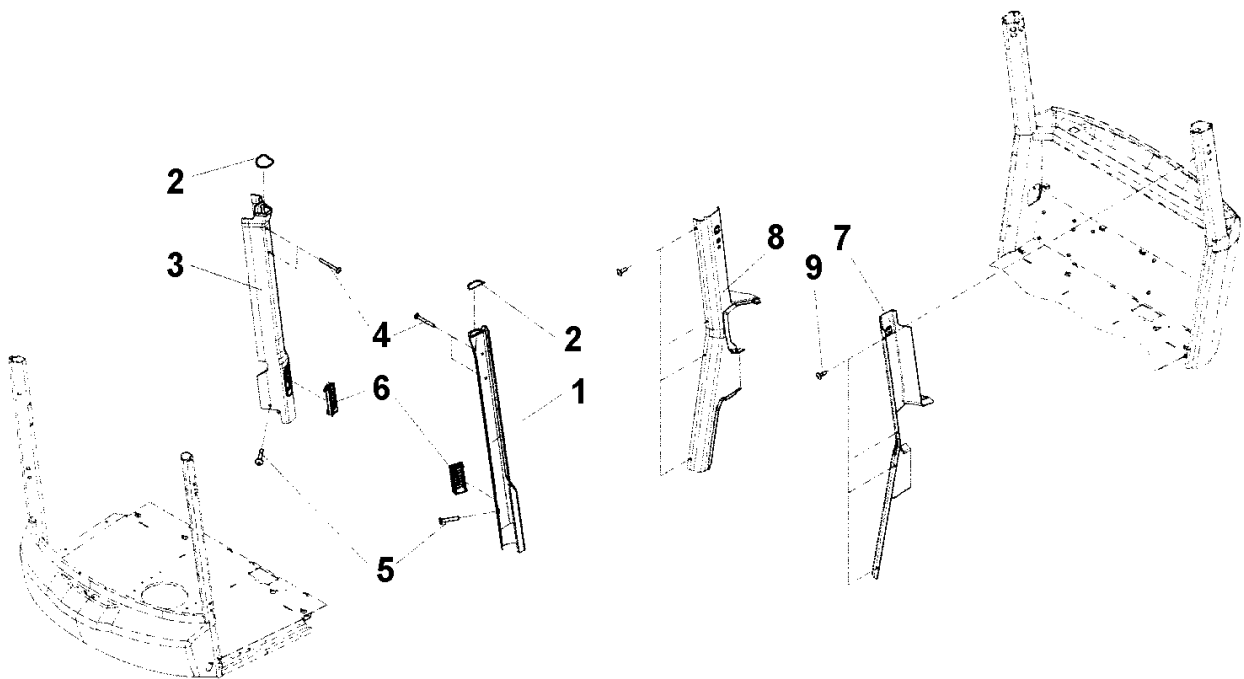
Item	Part No.	Name	Qty	L	SN INFO
1	4812115197	Floor mat	1		
2	4812115198	Entrance plate	1		
3	4812161371	Screw	3		

4812112301 Cab, cpl Comfort Step light, front wiper switches



Item	Part No.	Name	Qty	L	SN INFO
1	4812115188	Switch, front wiper	1		
2	4812115189	Potentiometer	1		
3	-	Decal	1		
4	4812158859	Turning knob	1		
6	4812115190	Wiper Interval Relay	1		
7	4812115191	Time control unit	1		
8	4812115199	Step light	1		
9	4812115224	Bracket	1		
10	-	Screw	2		
11	-	Gasket	2		
12	-	Screw	2		

4812112301 Cab, cpl Comfort Air channel



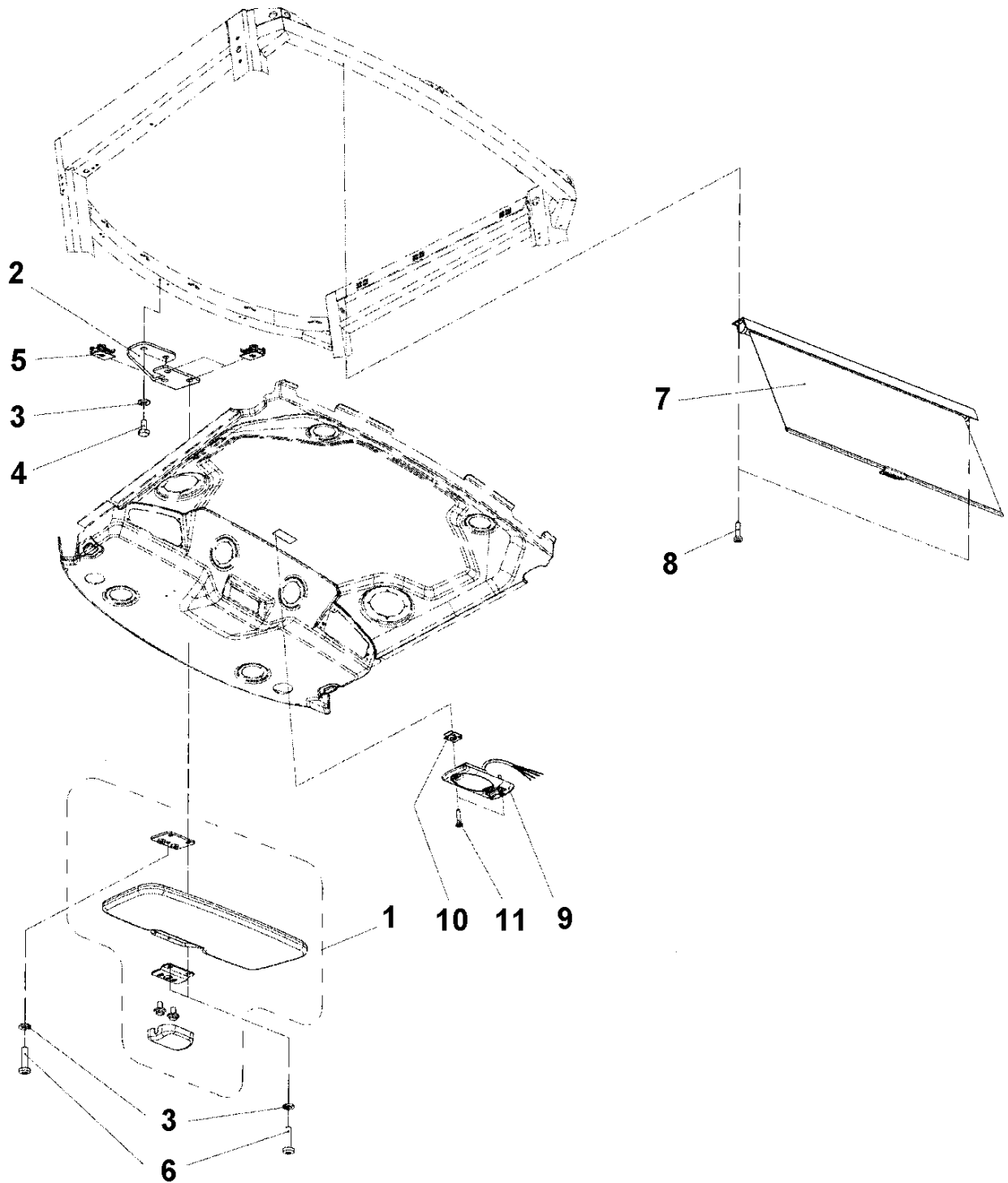
Item	Part No.	Name	Qty	L	SN INFO
1	4812114577	Air channel	1		
2	4812161099	Seal list	2XL	A	
3	4812114578	Air channel	1		
4	-	Screw	4		
5	-	Screw	2		
6	4812114579	Air nozzle	2		
7	4812114580	Cover	1		
8	4812114581	Cover	1		
9	-	Screw	8		

Comments for Page: Air channel

(L)OCAL REMARKS

A | en_US | L=0.195m

4812112301 Cab, cpl Comfort Sun-blind, inner light

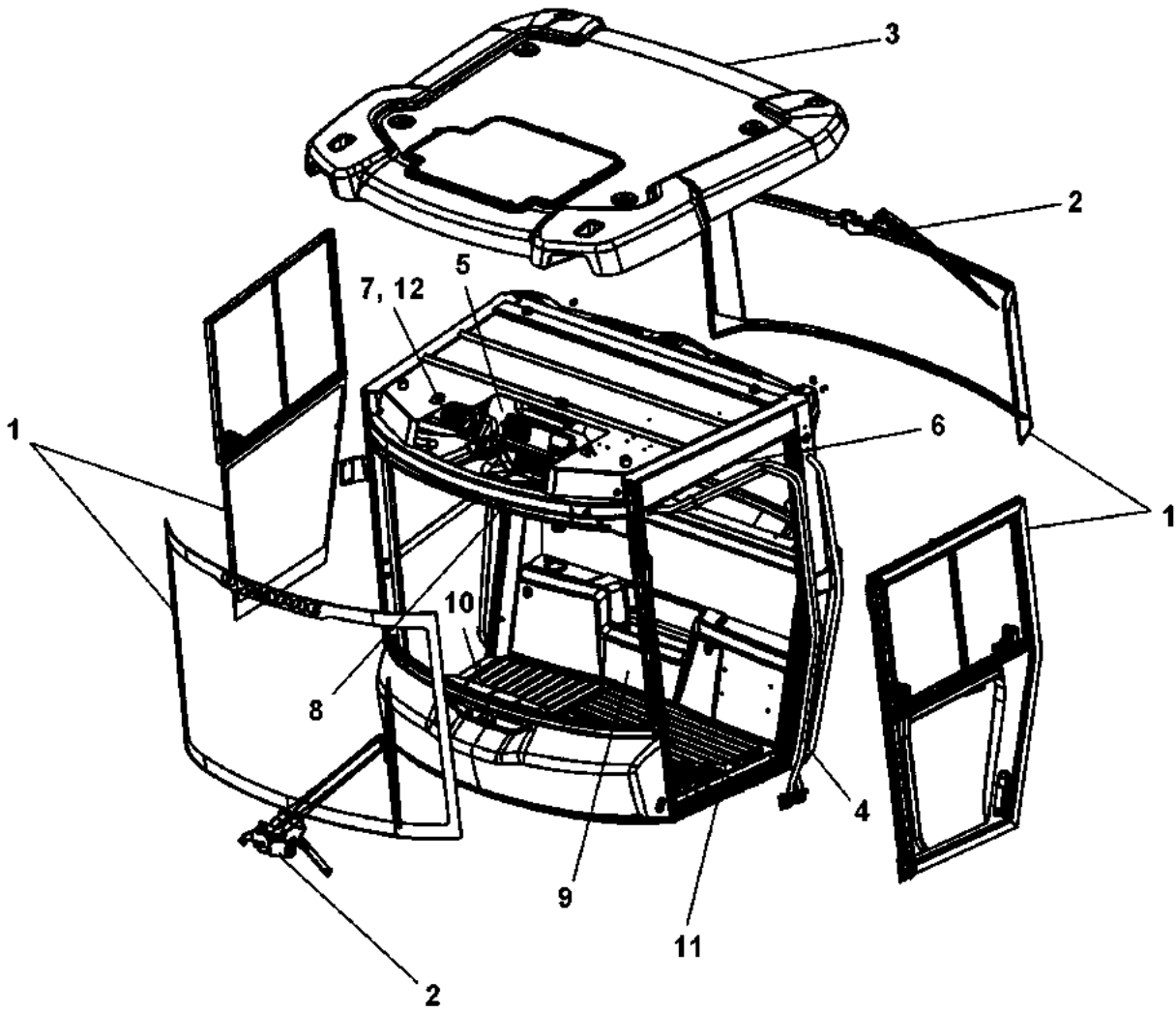


Refer to Parts Online for the most up to date information. The printed information might be outdated.

Wed Apr 11 13:34:09 UTC 2018

Item	Part No.	Name	Qty	L	SN INFO
1	4812114582	Sun-blind	1		
2	4812114583	Bracket	1		
3	4700904228	Washer 6,4x12x1,5	5		
4	4700500012	Hex. screw	2		
5	4812114567	Speed nut	3		
6	4700791171	Screw	3		
7	4812114584	Sun-blind	1		
8	4700904206	Screw, M6x16 mm	2		
9	4812114585	Inner light	1		
10	-	Lock Nut	2		
11	-	Screw	2		

4812112302 Cab, cpl Basic 4812112302 Cab, cpl Basic

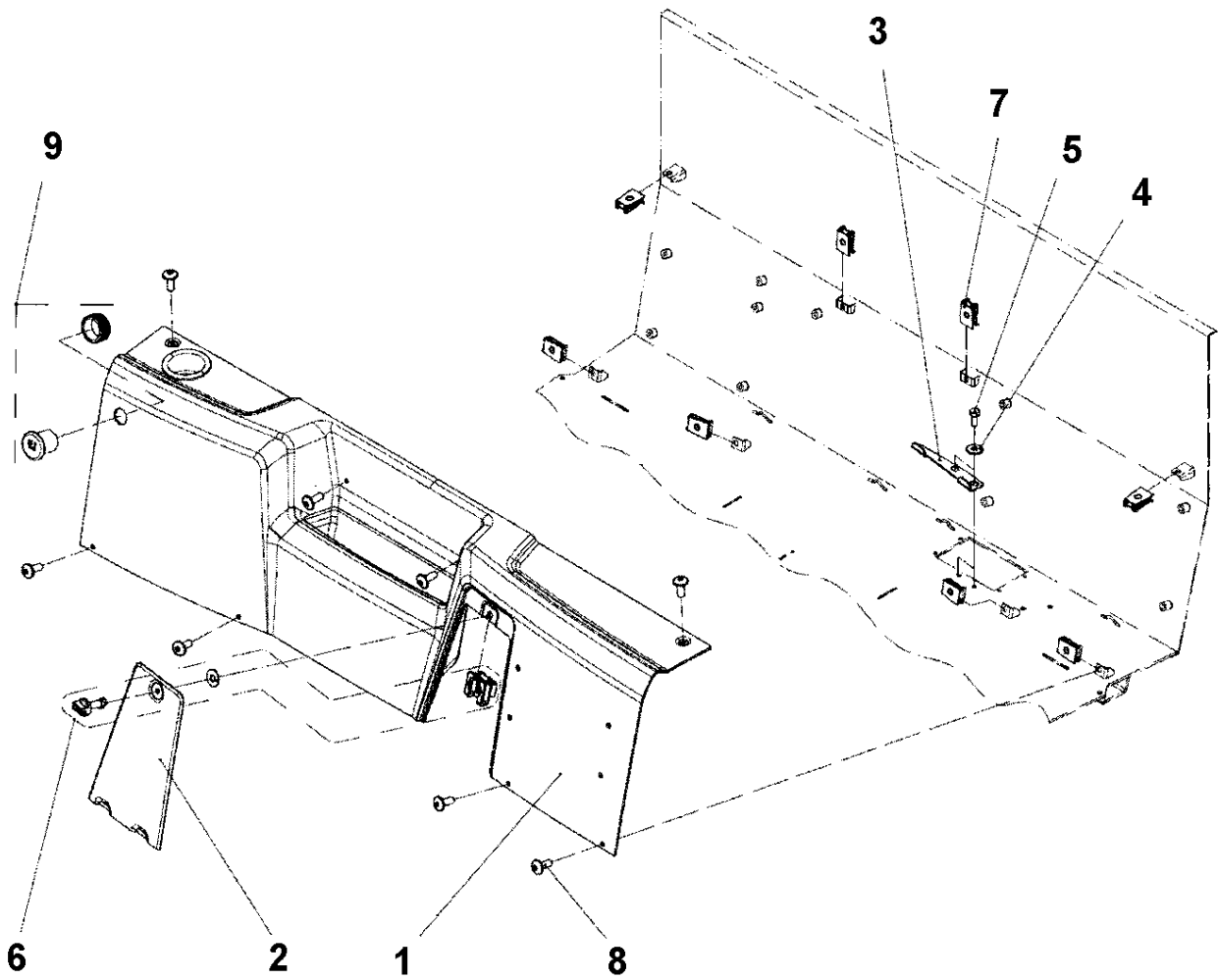


Refer to Parts Online for the most up to date information. The printed information might be outdated.

Wed Apr 11 13:34:10 UTC 2018

Item	Part No.	Name	Qty	L	SN INFO
1	-	Screens	1		
2	-	Windshield wiper	1		
3	-	Roof	1		
4	-	Hose kit heater	1		
5	-	Cab Interior	1		
6	-	Cab cable harness	1		
7	-	Cab, electrical equipment	1		
8	-	Emergency hammer, hook	1		
9	-	Cab, rear cover	1		
10	-	Cab, front cover	1		
11	4812114568	Floor mat	1		
12	-	Wiper switch, front	1		
14	-	Cab, basic kit	1		
15		Rops	1		

4812112302 Cab, cpl Basic Cab, rear cover

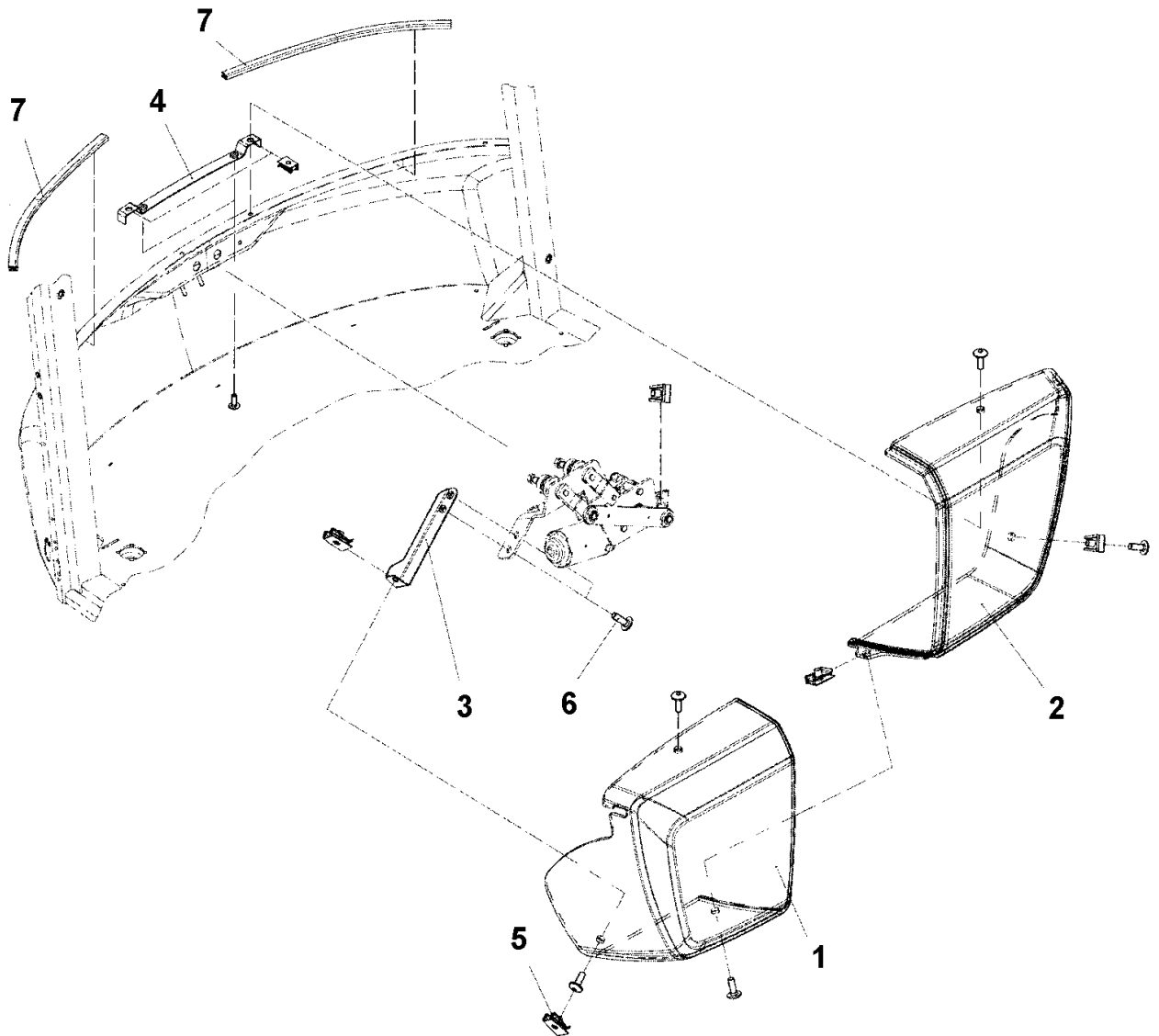


Refer to Parts Online for the most up to date information. The printed information might be outdated.

Wed Apr 11 13:34:10 UTC 2018

Item	Part No.	Name	Qty	L	SN INFO
1	4812114563	Rear cover	1		
2	4812114564	Service cover	1		
3	4812114565	Bracket	1		
4	4700601001	Washer	2		
5	4700500004	Screw M5x12 8,8	2		
6	4812114566	Turn fastener	1		
7	4812114567	Speed nut	8		
8	-	Screw	8		
9	-	Socket, 24V	1		

4812112302 Cab, cpl Basic Cab, front cover



Refer to Parts Online for the most up to date information. The printed information might be outdated.

Wed Apr 11 13:34:10 UTC 2018

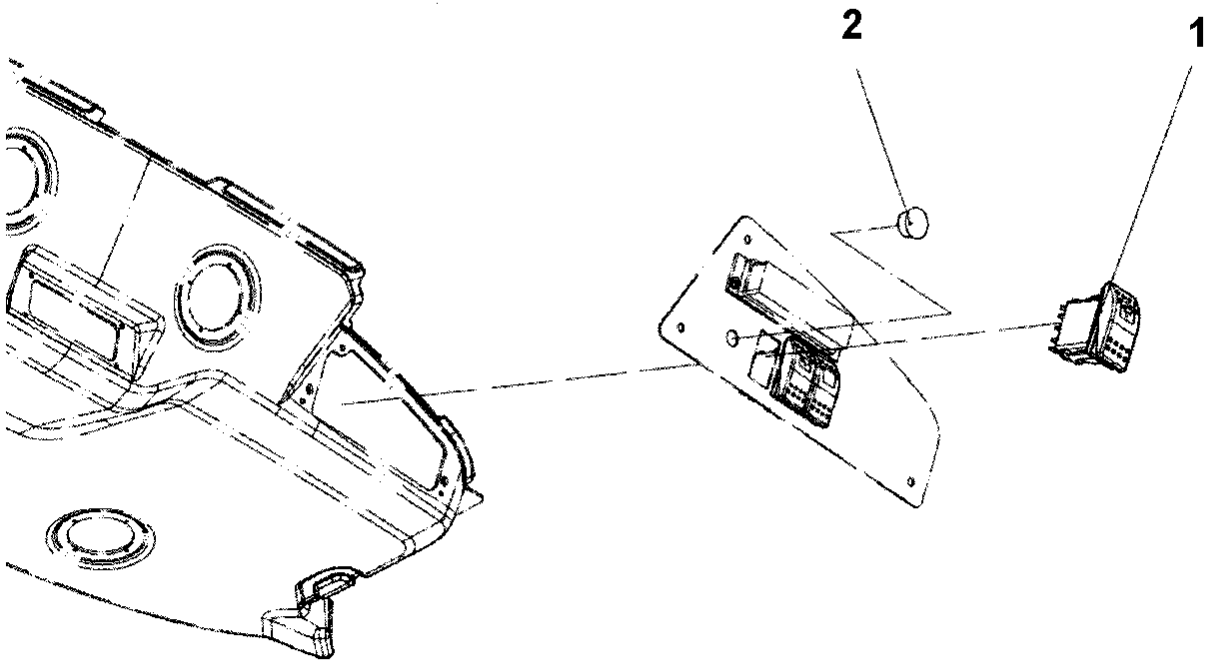
Item	Part No.	Name	Qty	L	SN INFO
1	-	Front cover Left	1		
2	-	Front cover Right	1		
3	4812114572	Bracket	1		
4	-	Bracket	1		
5	4812114567	Speed nut	5		
6	-	Screw	9		
7	4700202028	Edge trim	2XL	A	

Comments for Page: Cab, front cover

(L)OCAL REMARKS

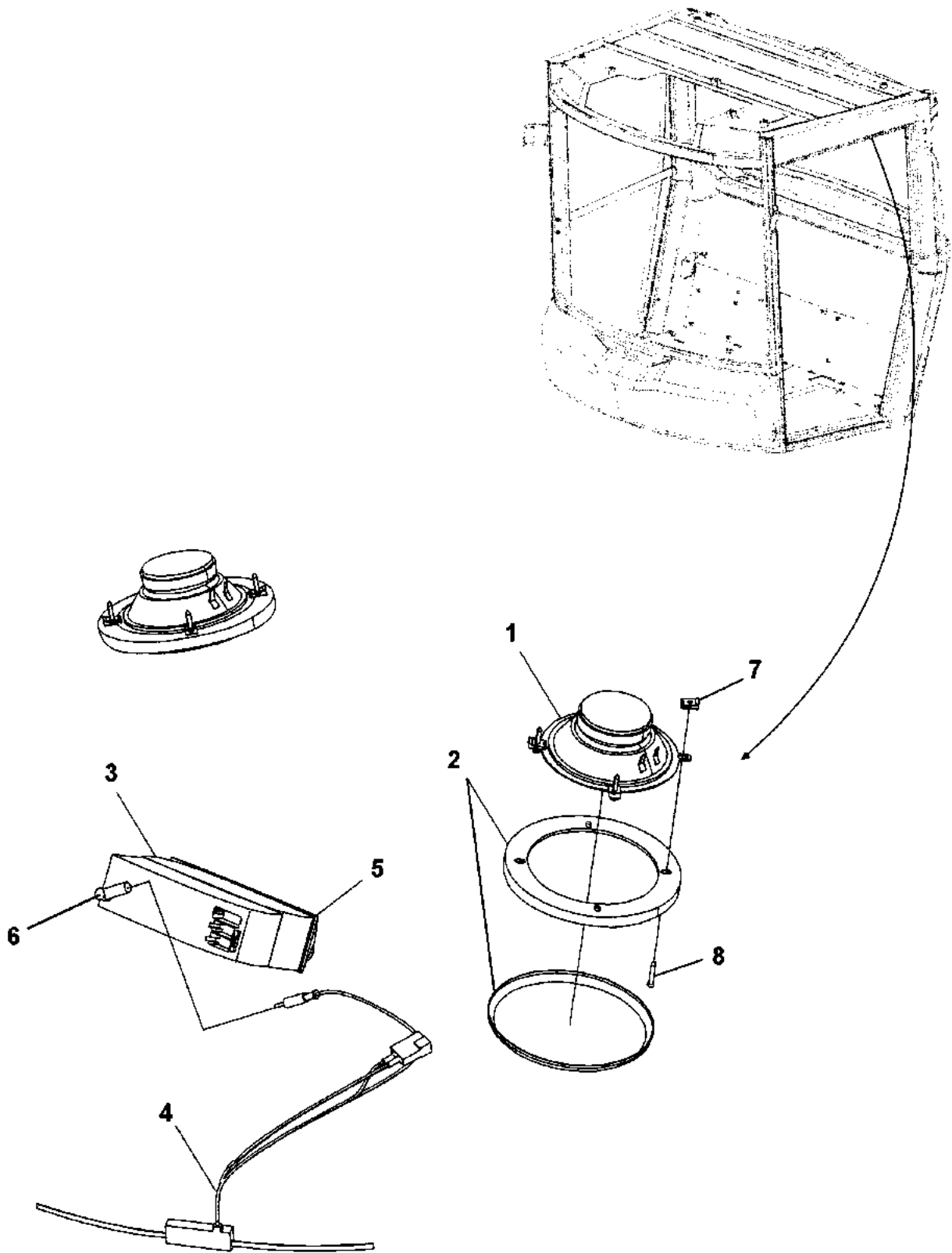
A | en_US | L=0.473m

4812112302 Cab, cpl Basic Wiper switch, front



Item	Part No.	Name	Qty	L	SN INFO
1	4812115192	Switch	1		
2	4700921723	Plug	1		

Drivers platform Car stereo module, option

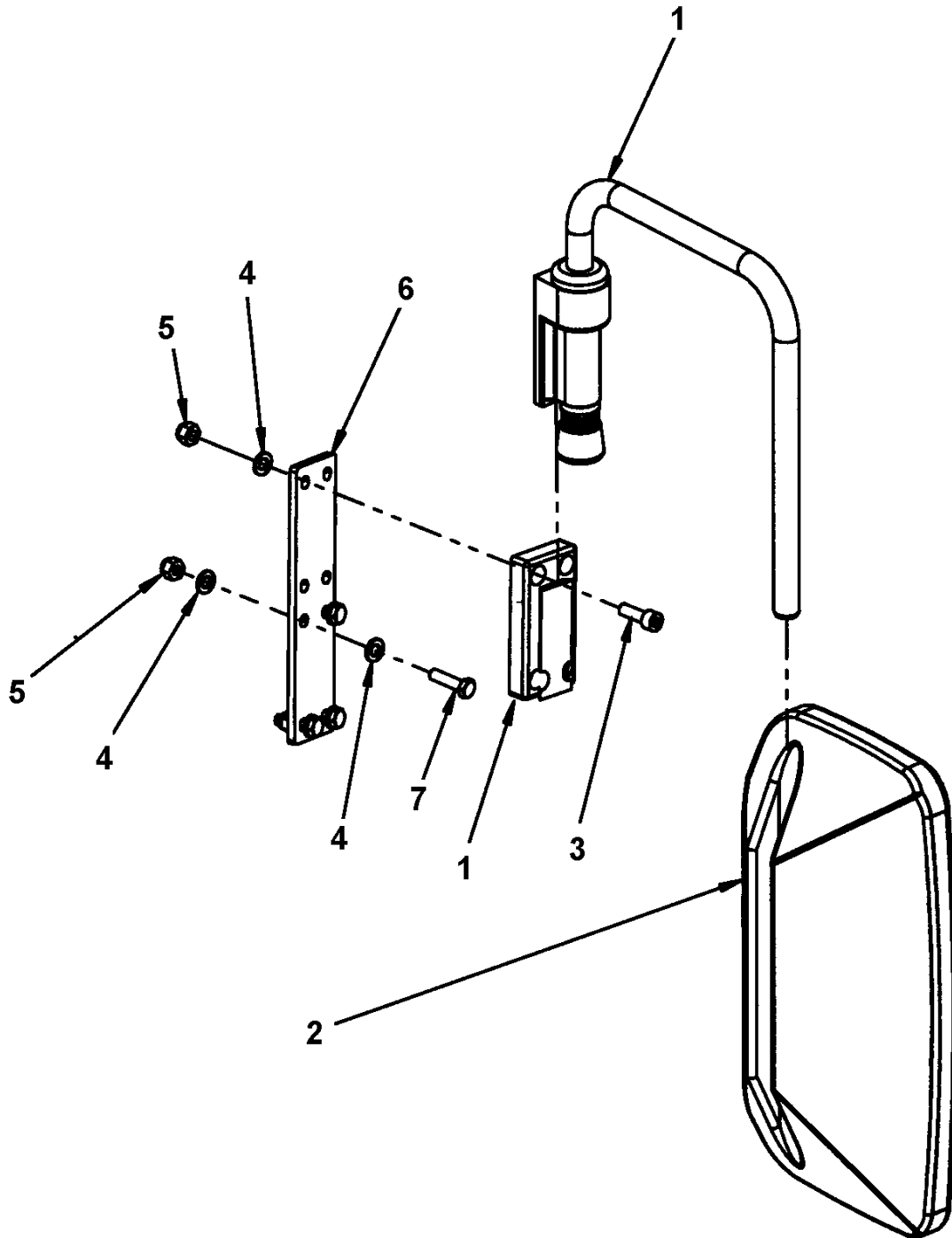


Refer to Parts Online for the most up to date information. The printed information might be outdated.

Wed Apr 11 13:34:10 UTC 2018

Item	Part No.	Name	Qty	L	SN INFO
1	4811000268	Loud speaker	2		
2	4811000269	Loud speaker cover	2		
3	4811000265	Car stereo	1		
4	4812114194	Antenna	1		
5	4812116986	Spacer frame	1		
6	4812119306	Antenna adapter	1		
7	4700791970	Speed nut	8		
8	4812119327	Tapping screw	8		

Drivers platform Rear view mirror



Refer to Parts Online for the most up to date information. The printed information might be outdated.

Wed Apr 11 13:34:10 UTC 2018

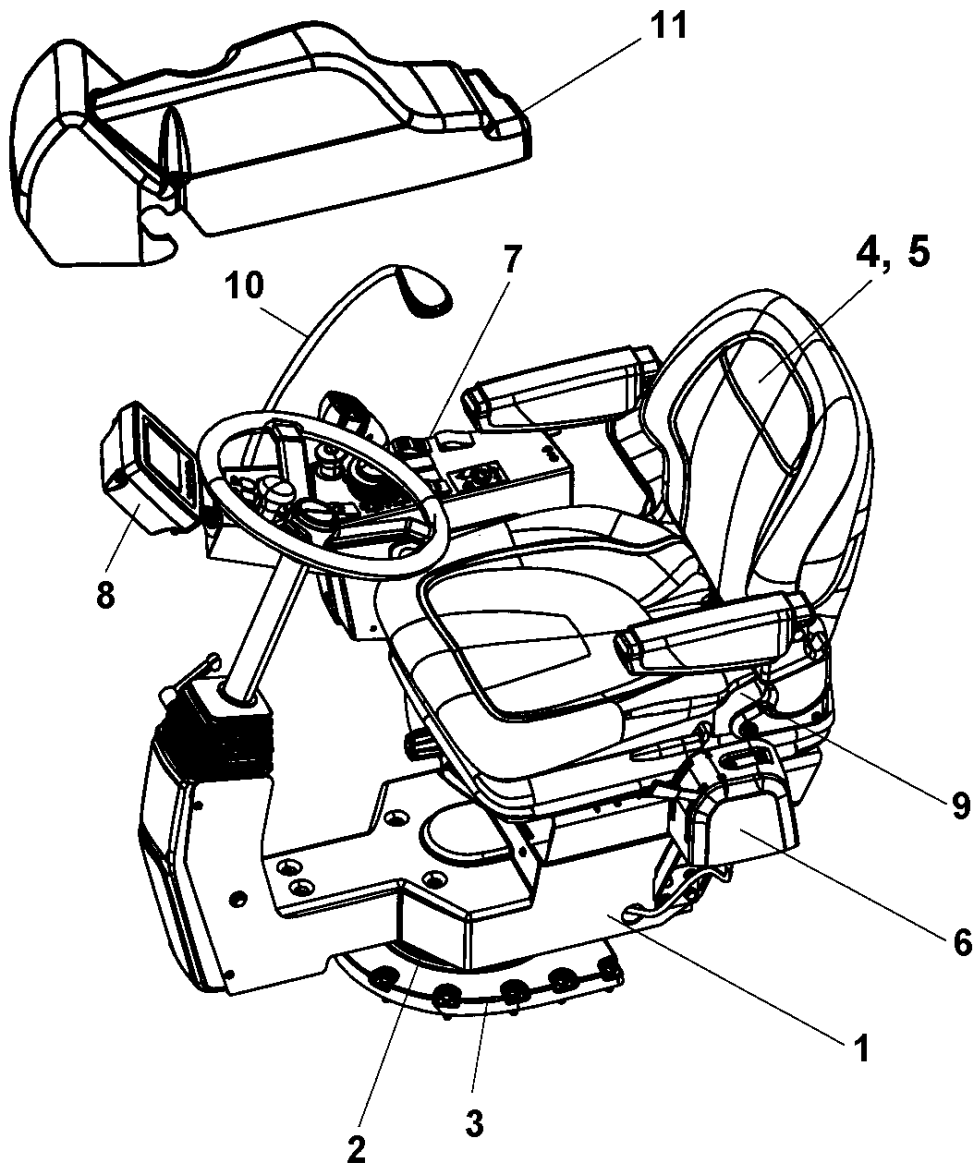
Item	Part No.	Name	Qty	L	SN INFO
1	4812110367	Bracket	1		
2	4700381943	Mirror	1		
2	4812161276	Mirror glass	1		
3	4700508019	Cylinder screw	4		
4	4700904229	Washer, 8.4x 6x1.5 mm 300HV	12		
5	4700586003	Lock nut M8	12		
6	4812117964	Bracket	1	A	
7	4700500022	Screw	4		

Comments for Page: Rear view mirror

(L)OCAL REMARKS

A | en_US | Not used on all models.

Drivers seat Drivers seat



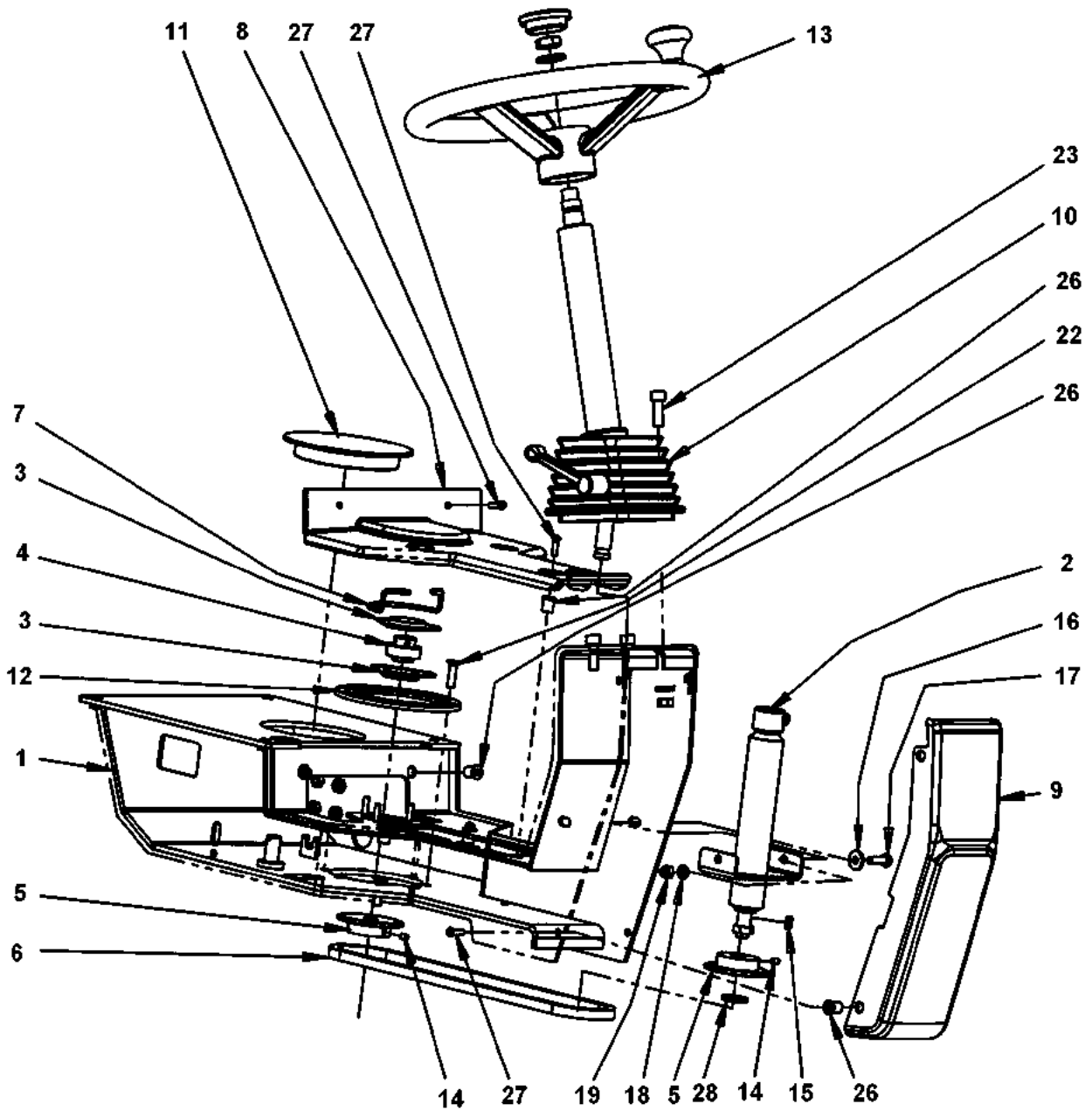
Item	Part No.	Name	Qty	L	SN INFO
1	-	Seat frame structure	1		
2	-	Seat frame adapter module, rotating	1		
2	-	Seat frame adapter module, fixed	1		
3	-	Floor cassette module	1		
4	-	Seat, fabric suspended	1		
5	-	Seat, galon suspended	1		
6	-	Control module	1		
7	-	Forward reverse control module	1		
8	-	Display unit	1		
9	-	Seat belt 2"	1		
9	-	Seat belt 3"	1	A	
9	-	Seat belt 2" with reminder	1	A	
9	-	Seat belt 3" with reminder	1	A	
10	-	Reading light	1		
11	-	Control panel cover	1		

Comments for Page: Drivers seat

(L)OCAL REMARKS

A | en_US | Option.

Drivers seat Seat frame structure

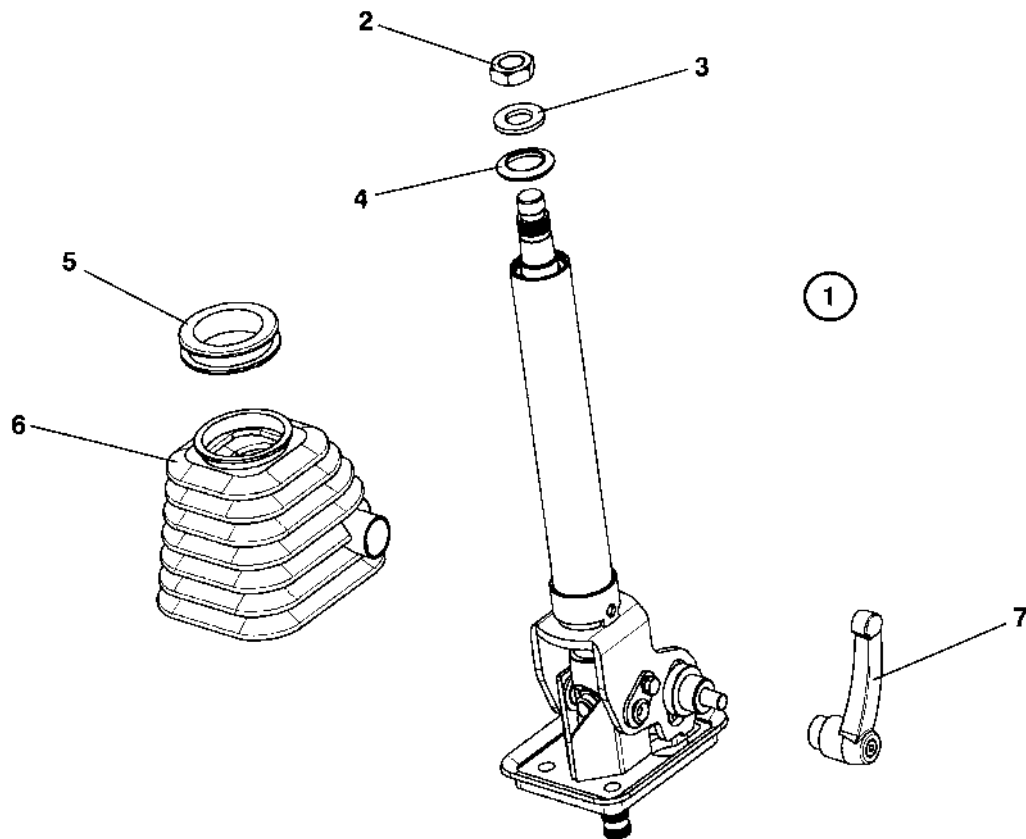


Refer to Parts Online for the most up to date information. The printed information might be outdated.

Wed Apr 11 13:34:11 UTC 2018

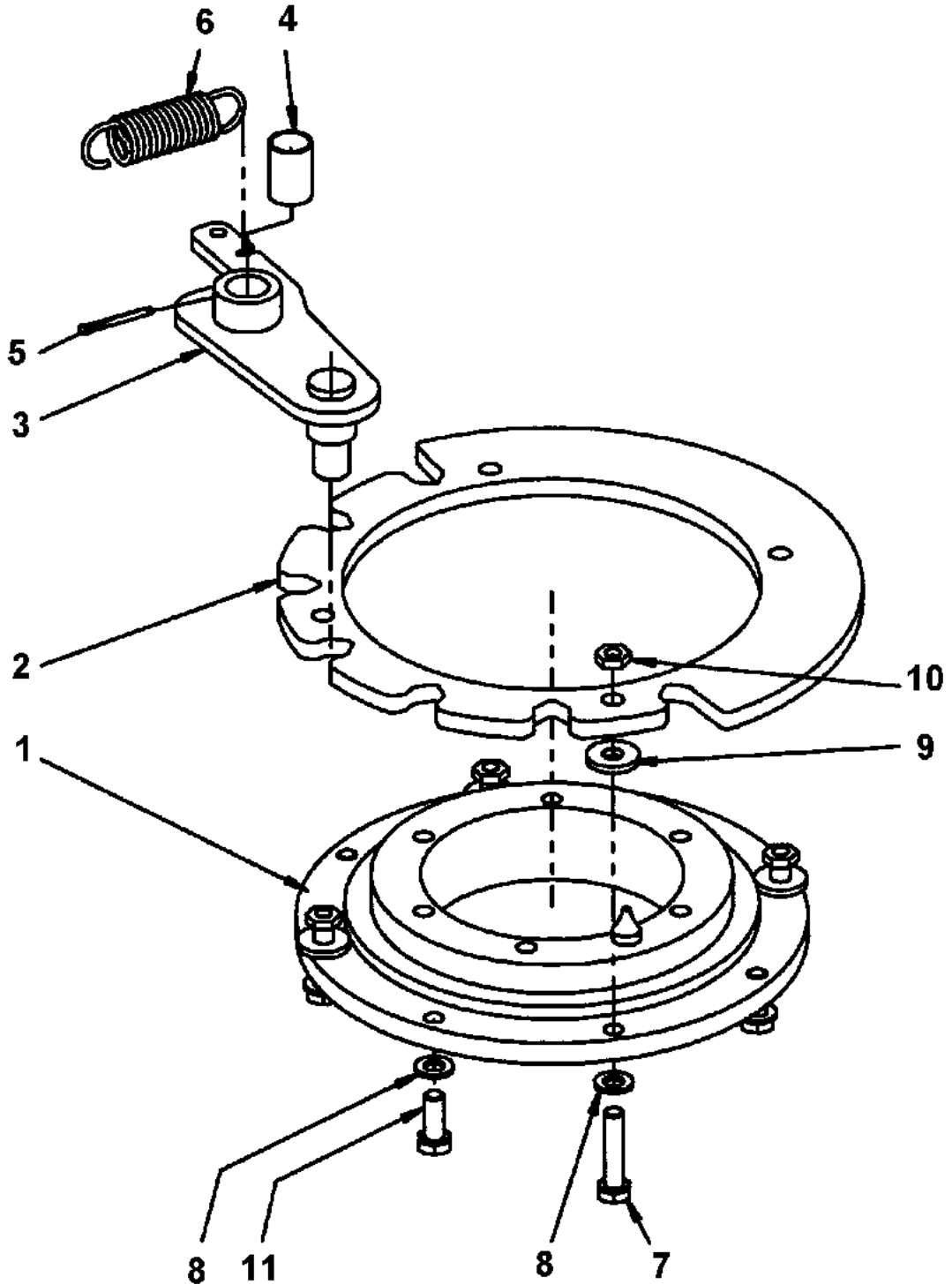
Item	Part No.	Name	Qty	L	SN INFO
1	4700395447	Seat frame	1		
2	4700359919	Shaft	1		
3	4700903917	Bearing outer	2		
4	4700903918	Bearing inner	1		
5	4700359916	Chain wheel	2		
6	4700379718	Chain and connecting link	1		
7	4700372672	Chain guard	1		
8	4700392839	Cover	1		
9	4700392840	Cover	1		
10	4700391163	Steering column	1		
11	4700359920	Plug	1		
12	4700372965	Lock ring	1		
13	4700372964	Steering wheel	1		
14	4700516040	Threaded pin	2		
15	4700350009	Flat key	1		
16	4700904640	Washer, 8.4x22x3 mm 300HV	2		
17	4700500021	Screw, M8x25 mm 8.8 A2K	2		
18	4700904229	Washer, 8.4x 6x1.5 mm 300HV	2		
19	4700586003	Lock nut M8	2		
22	4700902520	Screw	6		
23	4700508029	Cylinder screw	3		
26	4700792539	Rubber nut	10		
27	4700791524	Screw, M6 x 20 mm A2-70	10		
28	4700904214	Washer 15x30x4 300 HV	1		

Drivers seat 4700391163 Steering column



Item	Part No.	Name	Qty	L	SN INFO
1	4700391163	Steering column			
2	4700945632	Nut	1		
3	4700945633	Washer	1		
4	4700945634	Rubber cap	1		
5	4700945635	Bellows ring	1		
6	4700945636	Bellows	1		
7	4700945637	Locking handle	1		

Drivers seat Seat frame adapter module, rotating

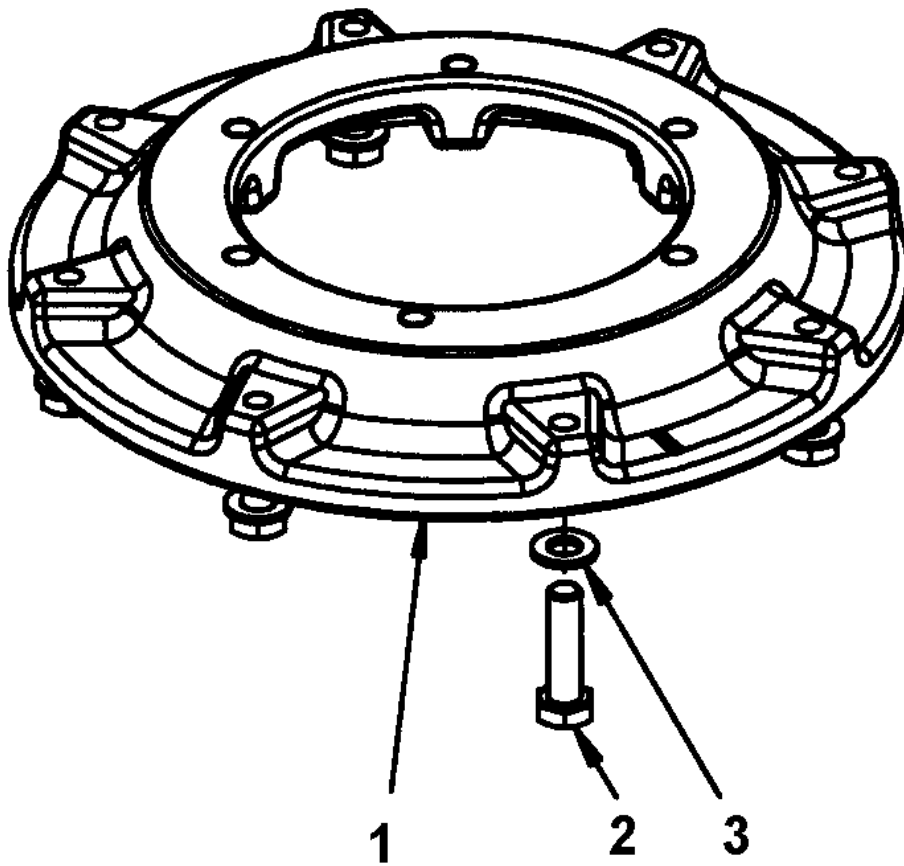


Refer to Parts Online for the most up to date information. The printed information might be outdated.

Wed Apr 11 13:34:11 UTC 2018

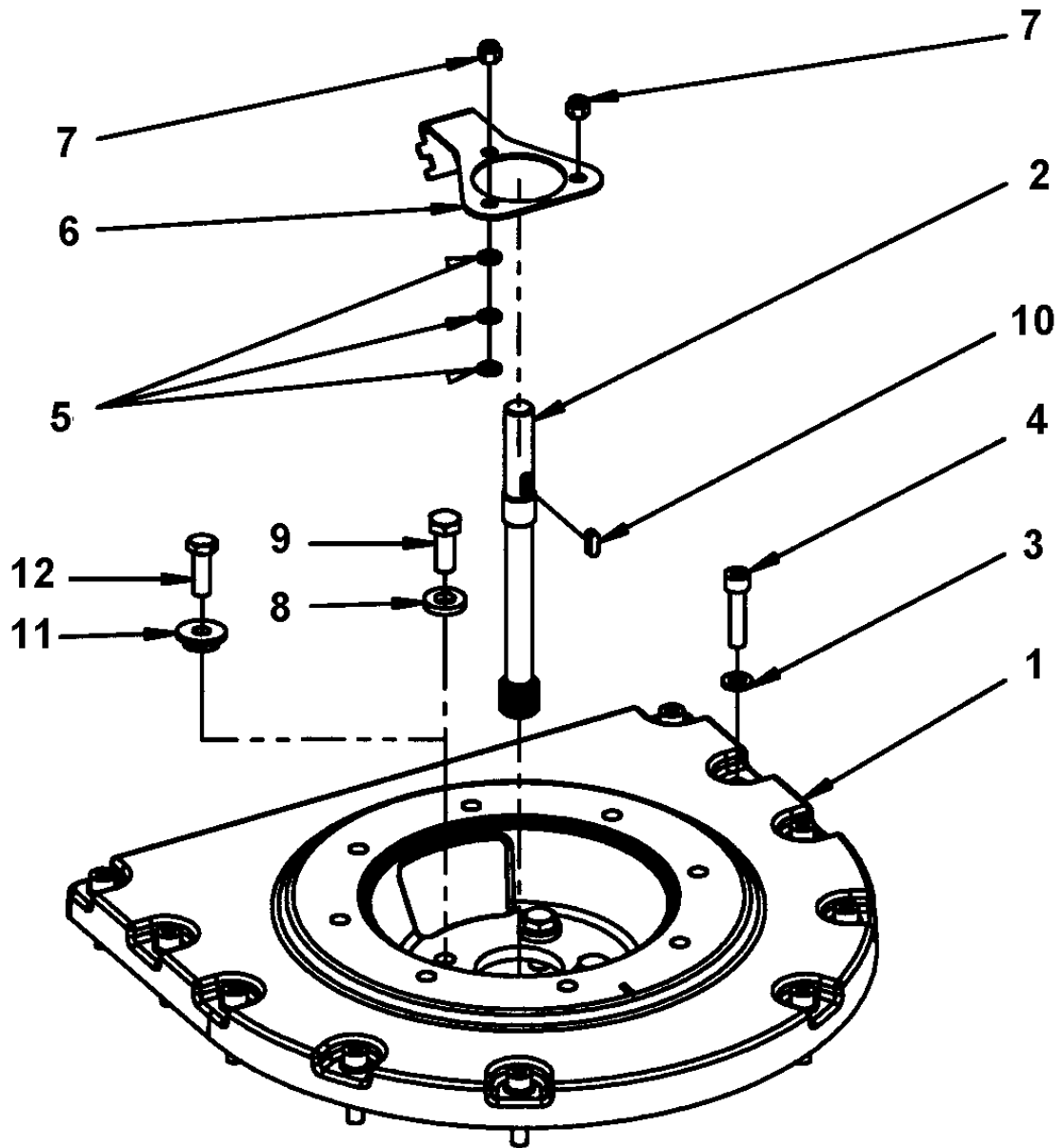
Item	Part No.	Name	Qty	L	SN INFO
1	4700359125	Ball bearing	1		
2	4700379728	Locking disc	1		
3	4812119788	Coupling link	1		
4	4700359819	Bushing	1		
5	4700630008	Pin	1		
6	4700359043	Spring	1		
7	4700792678	Screw	4		
8	4700904229	Washer, 8.4x 6x1.5 mm 300HV	8		
9	4700904640	Washer, 8.4x22x3 mm 300HV	4		
10	4700573008	Nut M8	4		
11	4700947679	Hexagon head screw	4		

Drivers seat Seat frame adapter module, fixed



Item	Part No.	Name	Qty	L	SN INFO
1	4812110891	Spacer	1		
2	4700500022	Screw	8		
3	4700904229	Washer, 8.4x 6x1.5 mm 300HV	8		

Drivers seat Floor cassette module

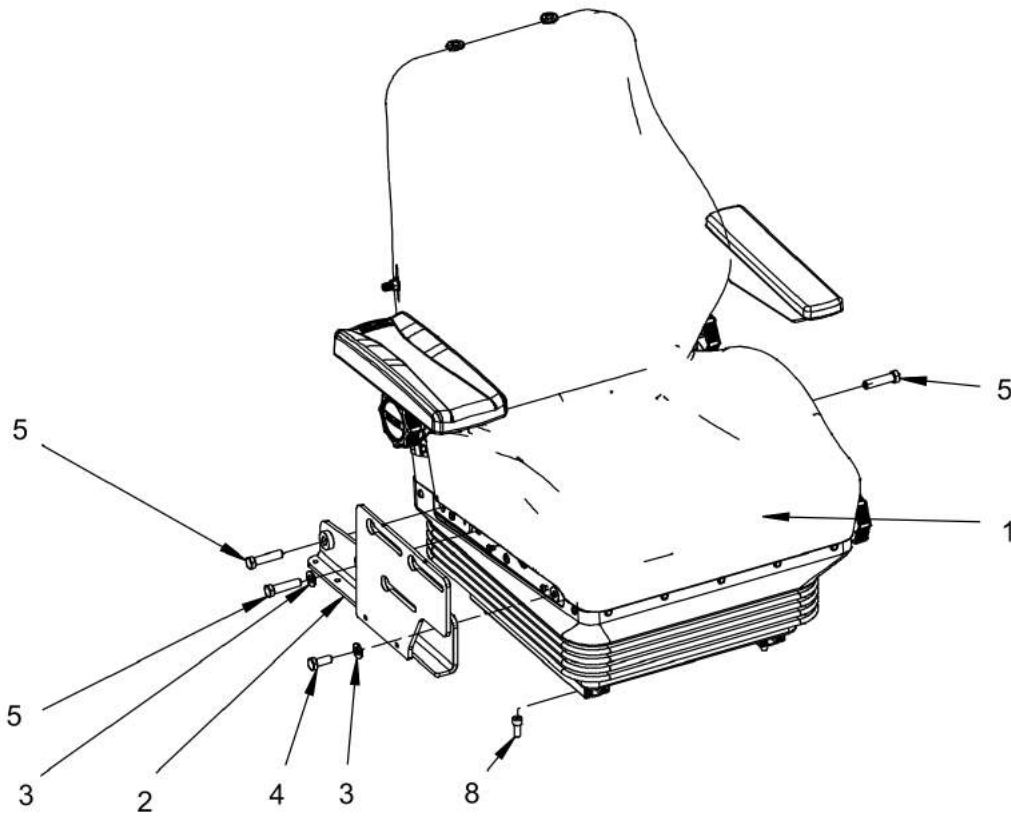


Refer to Parts Online for the most up to date information. The printed information might be outdated.

Wed Apr 11 13:34:11 UTC 2018

Item	Part No.	Name	Qty	L	SN INFO
1	4812111294	Adapter	1		
2	4812110885	Splined shaft	1		
3	4700904229	Washer, 8.4x 6x1.5 mm 300HV	10		
4	4700508027	Screw	10		
5	4700904228	Washer 6,4x12x1,5	3		
6	4812114172	Bracket	1		
7	4700586002	Lock nut M6 -8	3		
8	4700904557	Washer, 10.5x22x4 mm 300 HV	4		
9	4700500028	Screw, M10 x 25 mm 8.8 A3K	4		
10	4700350009	Flat key	1		
11	4812113478	Washer	4		
12	4700500029	Steel plain washer	4		

Drivers seat Seat comfort, fabric suspended



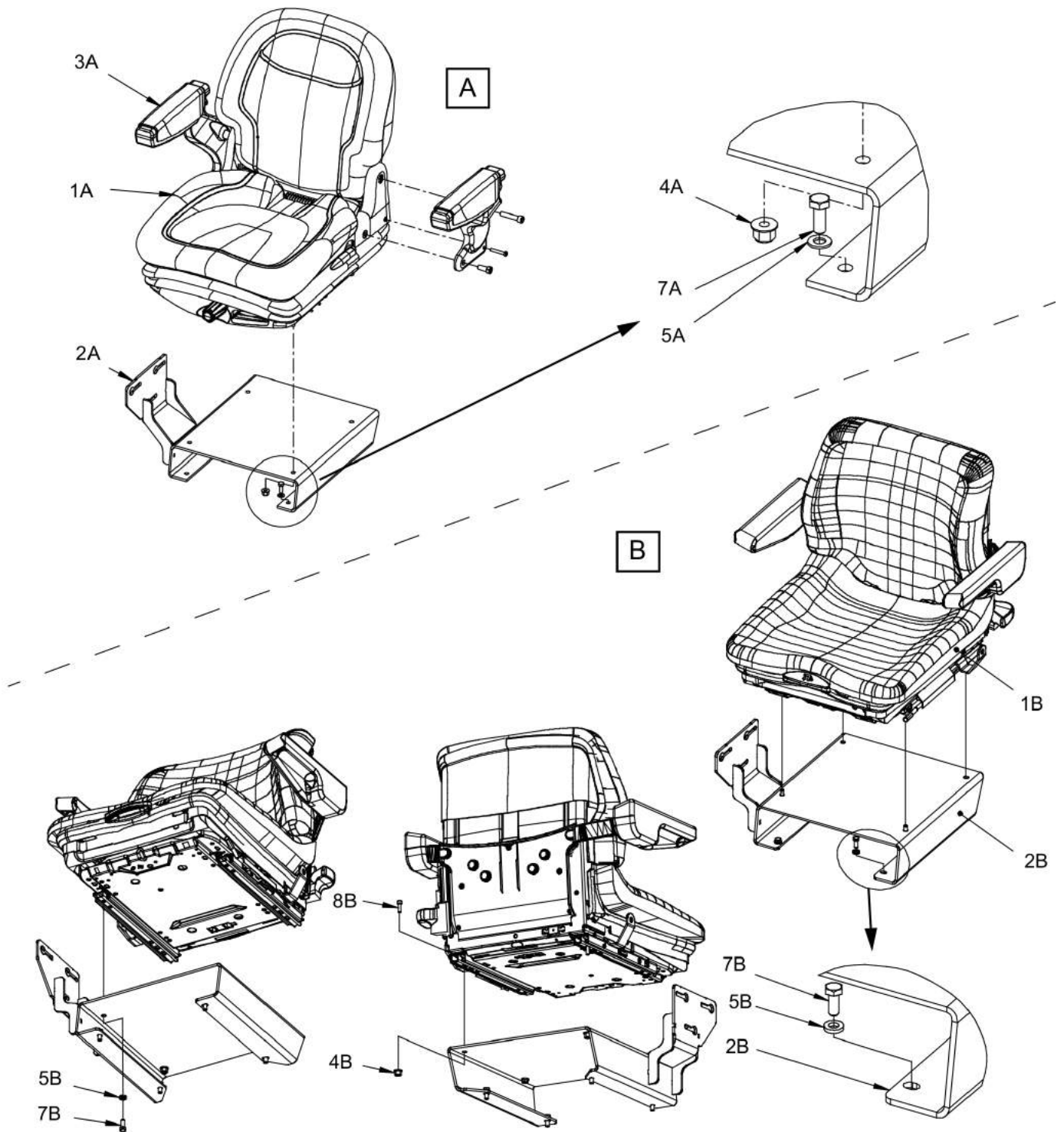
Item	Part No.	Name	Qty	L	SN INFO
1	4812116357	Seat, fabric suspended	1	A	
1	4700937892	Seat switch	1		
1	4700937620	Arm rest, right	1		
1	4812158367	Arm rest wide, right	1		
1	4700937621	Arm rest, left	1		
2	4812119295	Control bracket	1		
3	4700904230	Plain washer 10.5x22x2 mm	2		
4	4700500028	Screw, M10 x 25 mm 8.8 A3K	1		
5	4700792527	Screw	3		
8	4700508092	Screw	4		

Comments for Page: Seat comfort, fabric suspended

(L)OCAL REMARKS

A | en_US | Without seat belt.

Drivers seat Seat, galon suspended



Refer to Parts Online for the most up to date information. The printed information might be outdated.

Wed Apr 11 13:34:12 UTC 2018

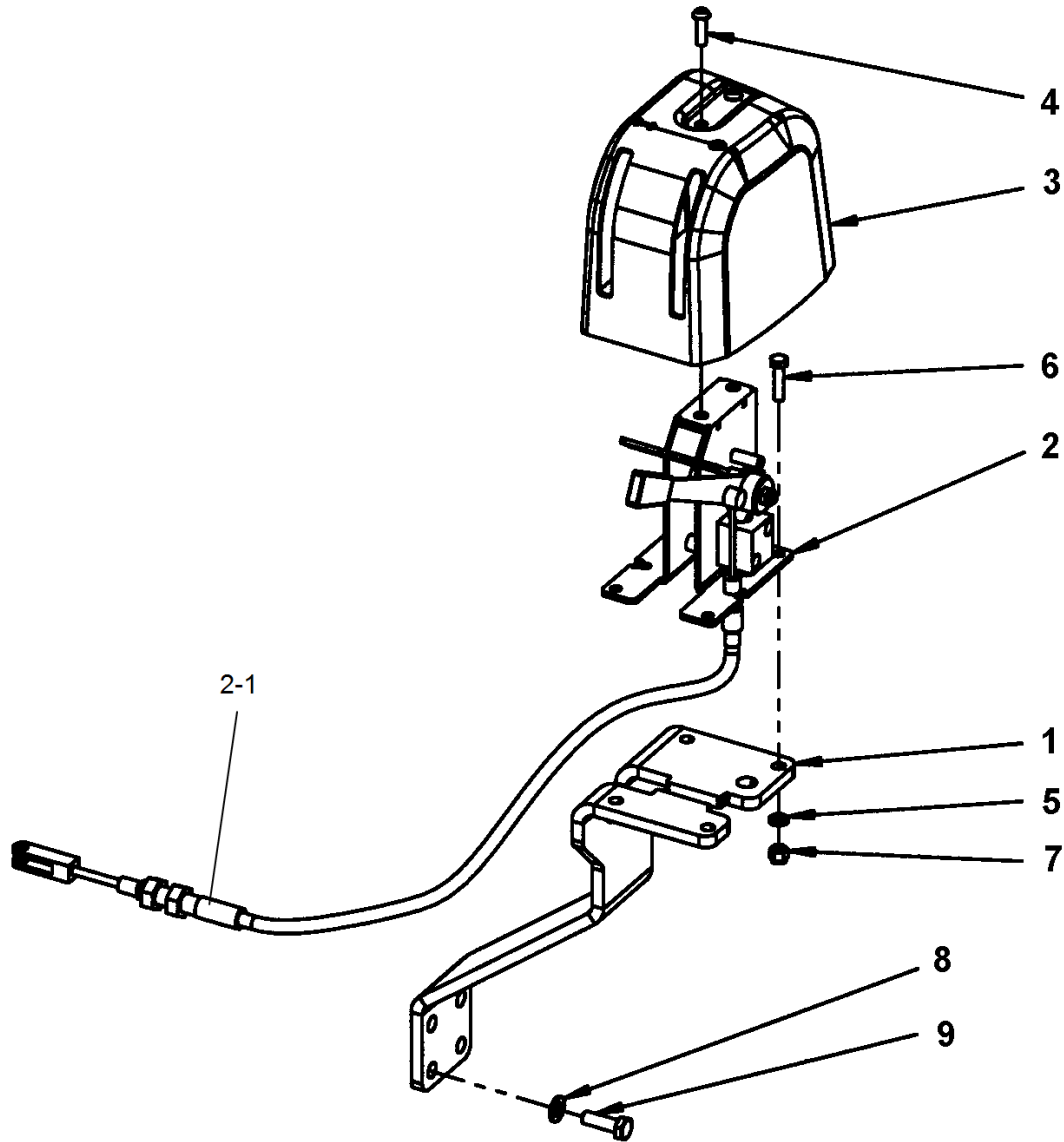
Item	Part No.	Name	Qty	L	SN INFO
1A	4700377518	Seat, galon suspended	1		
-	4700945622	Seat switch	1		
-	4700945660	Seat cushion	1		
-	4700945661	Adjuster kit, slide	1	A	
2A	4700390561	Seat frame	1		
3A	4700390963	Arm rest kit	1		
4A	4700902286	Lock nut, M8x1.25 mm A2K	4		
5A	4700904229	Washer, 8.4x 6x1.5 mm 300HV	4		
7A	4700500053	Screw, M8x20 mm 8.8 A2K	4		
1B	4700370234	Seat, galon suspended	1		
-	4700909535	Sliding rail with handle	1		
-	4700909536	Sliding rail	1		
-	4700936283	Seat switch	1		
-	4700372696	Arm rest, left	1		
-	4700372697	Arm rest, right	1		
2B	4812126698	Seat frame	1		
4B	4700902286	Lock nut, M8x1.25 mm A2K	2		
5B	4700904556	Steel plain washer 8,4x16x3,0	6		
7B	4700500053	Screw, M8x20 mm 8.8 A2K	6		
8B	4700508025	Screw, M6x20 mm 8.8 A2K	2		

Comments for Page: Seat, galon suspended

(L)OCAL REMARKS

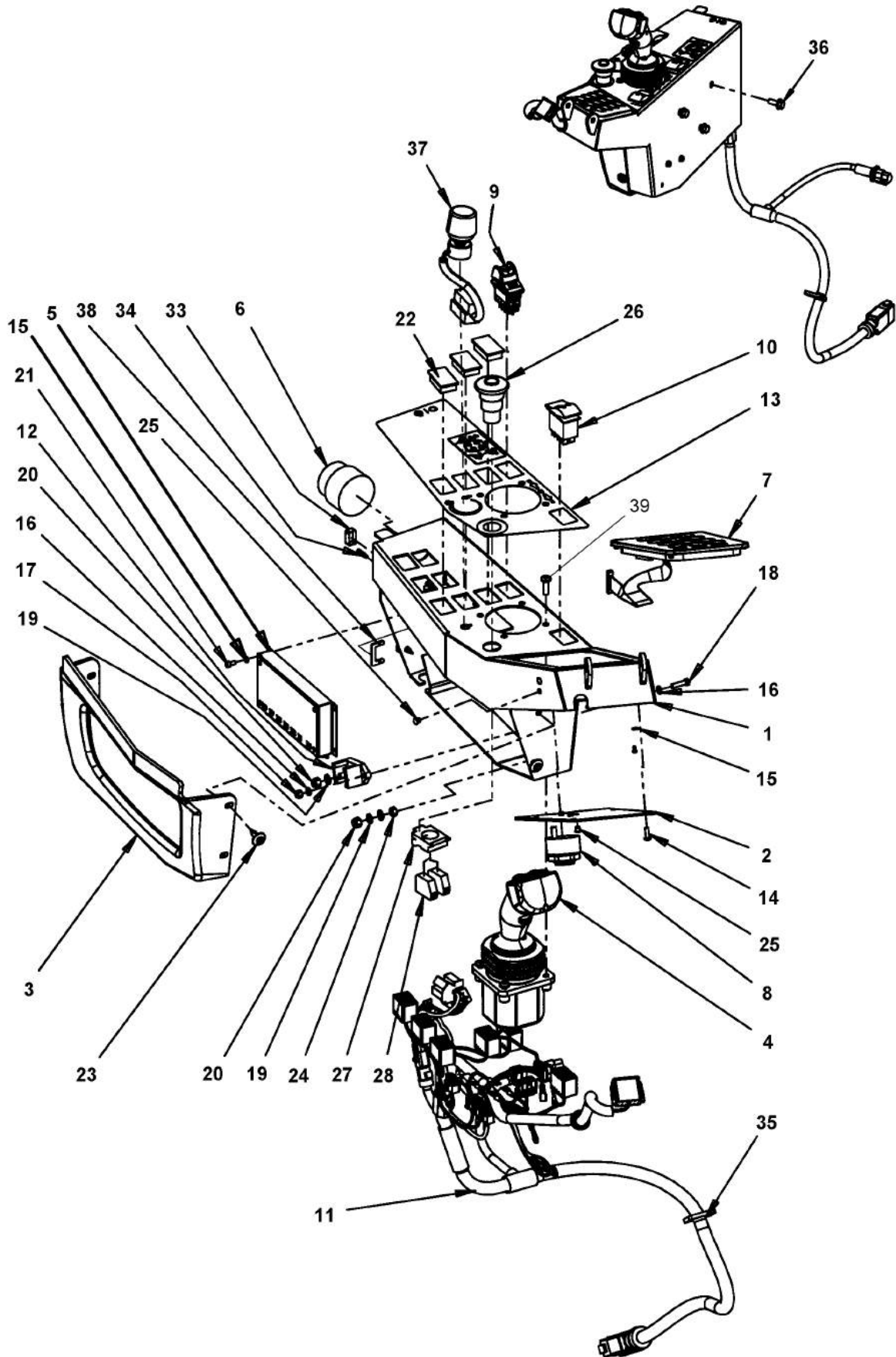
A | en_US | Left & right sliding rail

Drivers seat Control module



Item	Part No.	Name	Qty	L	SN INFO
1	4812118312	Bracket	1		
2	4812111216	Control, cpl	1		
2-1	4812121331	Cable	1		
3	4700392965	Control cover	1		
4	4700791524	Screw, M6 x 20 mm A2-70	2		
5	4700904228	Washer 6,4x12x1,5	4		
6	4700500075	Screw, M6-1,0x25 mm 8.8	4		
7	4700586002	Lock nut M6 -8	4		
8	4700904229	Washer, 8.4x 6x1.5 mm 300HV	4		
9	4700500021	Screw, M8x25 mm 8.8 A2K	4		

Drivers seat Forward reverse control module



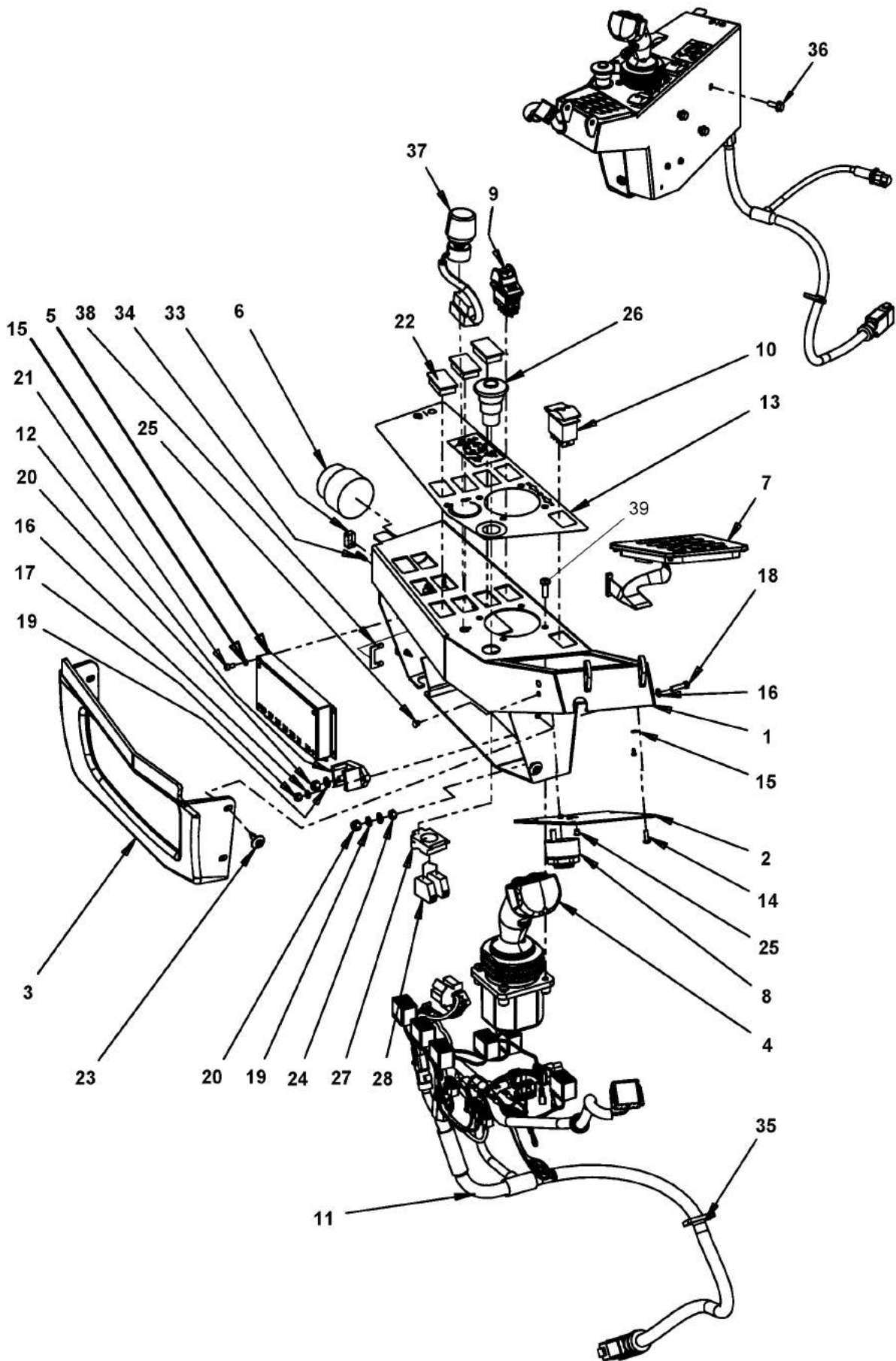
Refer to Parts Online for the most up to date information. The printed information might be outdated.

Wed Apr 11 13:34:13 UTC 2018

Item	Part No.	Name	Qty	L	SN INFO
1	4812110886	Control box	1		
2	4700391396	Cover	1		
3	4700396662	Cover	1		
4	4700391420	Control handle, 4 switches	1		To A019243, excl. 18998, 19157, 19159, 19241
4	4812126248	Control handle, 4 switches	1		From A019244, incl. 18998, 19157, 19159, 19241
5	4812113875	Control unit, I/O	1		
6	4812110901	Ignition switch	1		
6	4700940451	Ignition key	1		
7	4812114803	Membrane switch panel	1		
8	4700385599	Buzzer	1		
9	4812118697	Switch, parking brake	1		
10	4700792414	Switch, RPM	1		
10	4812117490	Switch, green ECO	1		
11	4812118754	Cable harness	1		
12	4700392930	Junction box	1		
13	4812111780	Decal	1		
14	4812119227	Thread rolling screw	4		
15	4700904698	Plain washer	8		
16	4700904281	Washer, 5,3x10x1 300HV	4		
17	4700586001	Lock nut	2		
18	4700500060	Screw M5-0,8x20 8.8	2		
19	4700904228	Washer 6,4x12x1,5	3		
20	4700586002	Lock nut M6 -8	2		
21	4700508017	Cylinder screw	4		
22	4700791588	Panel plug	3		
23	4700395785	Expansion rivet	4		
24	4700570004	Hexagon nut M6	1		
25	4700902804	Plug	5		
26	4700791739	Emergency stop	1		
27	4700791733	Fixing collar	1		
28	4700791723	Connector	2		
33	4812114214	Cover	1		
34	4812114213	Lock screw	2		
35	4700313041	Cable ties, L=200 mm	N		
36	4700500505	Screw, M8x20 mm 8.8 A2K	3		
37	4700388737	Potentiometer	1		
37	4700939826	Knob	1		

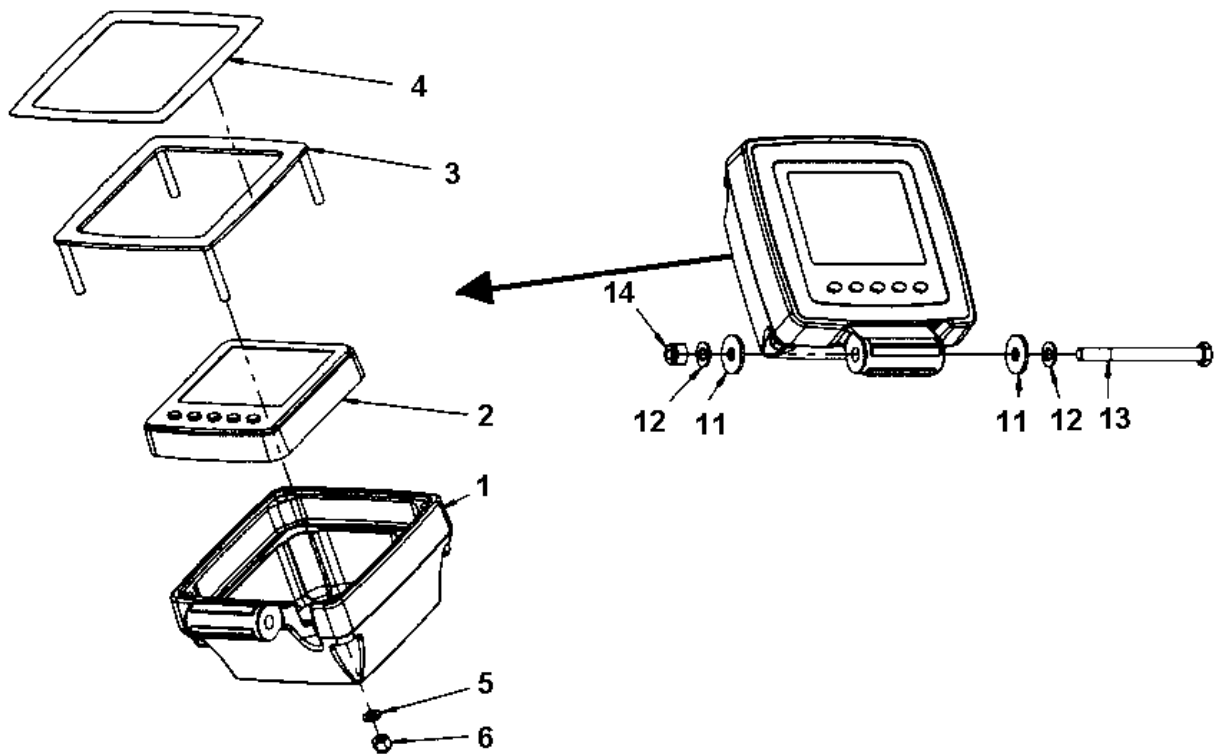
Refer to Parts Online for the most up to date information. The printed information might be outdated.

Wed Apr 11 13:34:13 UTC 2018



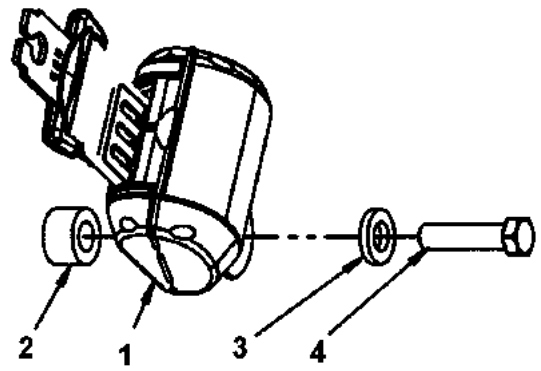
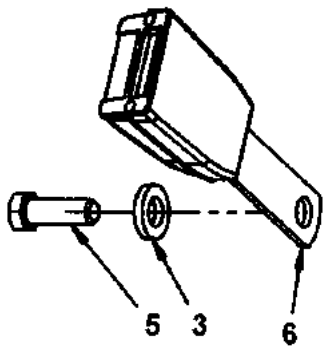
Refer to Parts Online for the most up to date information. The printed information might be outdated.
 Wed Apr 11 13:34:13 UTC 2018

Item	Part No.	Name	Qty	L	SN INFO
38	4812119317	Holder	1		
39	4700904650	Button head socket screw, M6x12	4		

Drivers seat Display unit

Item	Part No.	Name	Qty	L	SN INFO
1	4700392717	Display holder	1		
2	4812113786	Display unit	1		
3	4700392719	Cover	1		
4	4700393094	Decal	1		
5	4700904228	Washer 6,4x12x1,5	4		
6	4700586002	Lock nut M6 -8	4		
11	4700903662	Washer	2		
12	4700606004	Plastic washer	2		
13	4700500115	Screw	1		
14	4700586003	Lock nut M8	1		

Seat belt Seat belt 2"



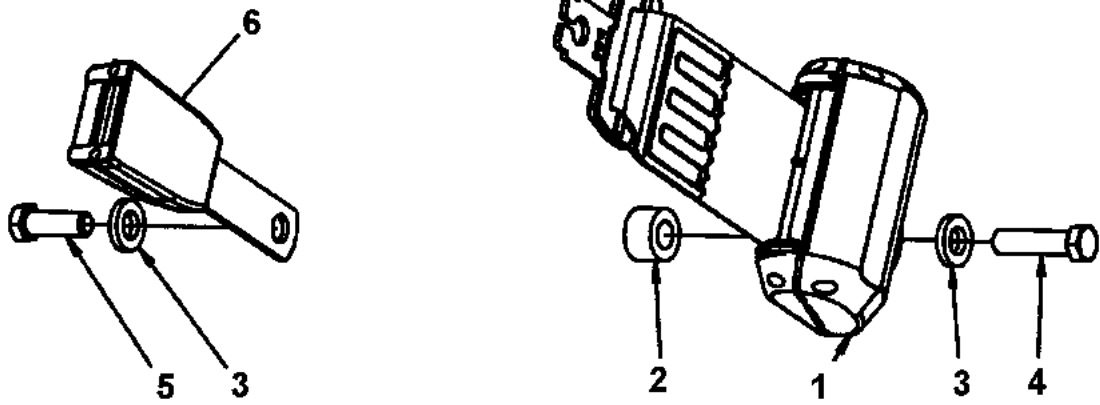
Item	Part No.	Name	Qty	L	SN INFO
1	4812117922	Seat belt 2"	1		
2	4700791572	Spacer washer	1		
3	4700904703	Plain washer 13x24x4 mm	4		
4	4700792527	Screw	1	A	
5	4700928347	Hexagon screw	2	A	
6	4812117924	Buckle	1		

Comments for Page: Seat belt 2"

(L)OCAL REMARKS

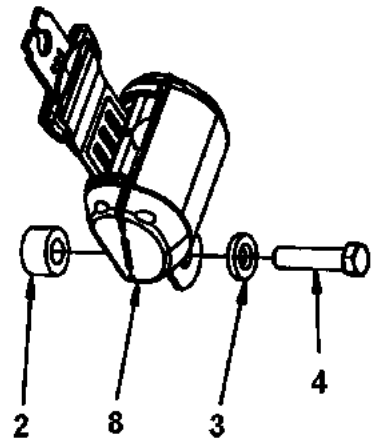
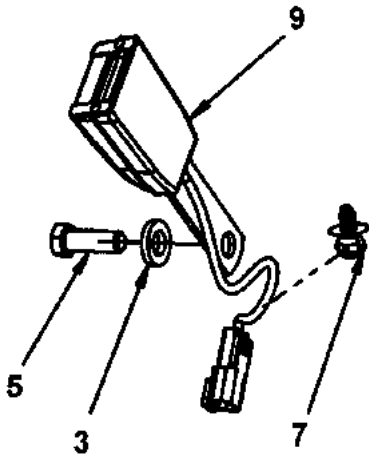
A | en_US | Used with seat 4700377518.

Seat belt Seat belt 3"

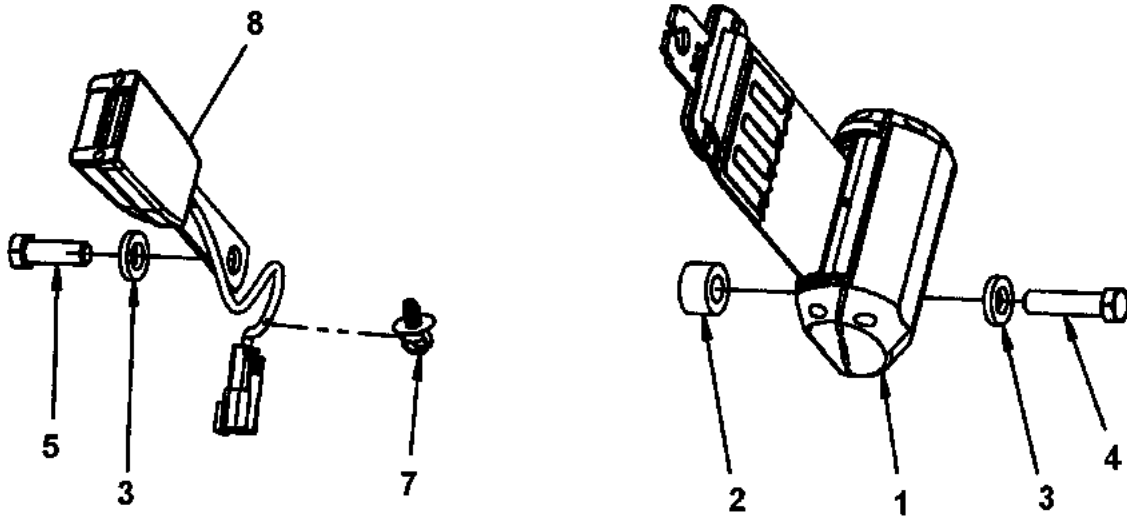


Item	Part No.	Name	Qty	L	SN INFO
1	4812118816	Seat belt 3"	1		
2	4700791572	Spacer washer	1		
3	4700904703	Plain washer 13x24x4 mm	4		
4	4700792527	Screw	1		
5	4700928347	Hexagon screw	2		
6	4812117924	Buckle	1		

Seat belt Seat belt 2" with reminder

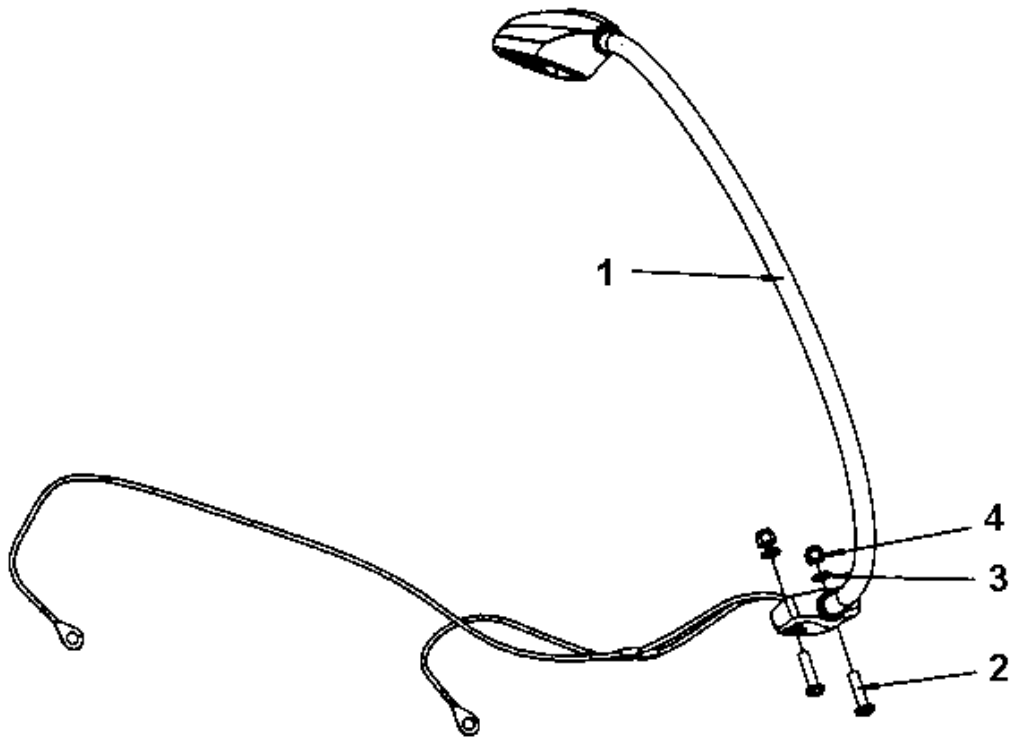


Item	Part No.	Name	Qty	L	SN INFO
2	4700791572	Spacer washer	1		
3	4700904703	Plain washer 13x24x4 mm	4		
4	4700792527	Screw	1		
5	4700928347	Hexagon screw	2		
7	4700792441	Cable tie with holder	1		
8	4812117922	Seat belt 2"	1		
9	4812117925	Buckle with reminder	1		

Seat belt Seat belt 3" with reminder

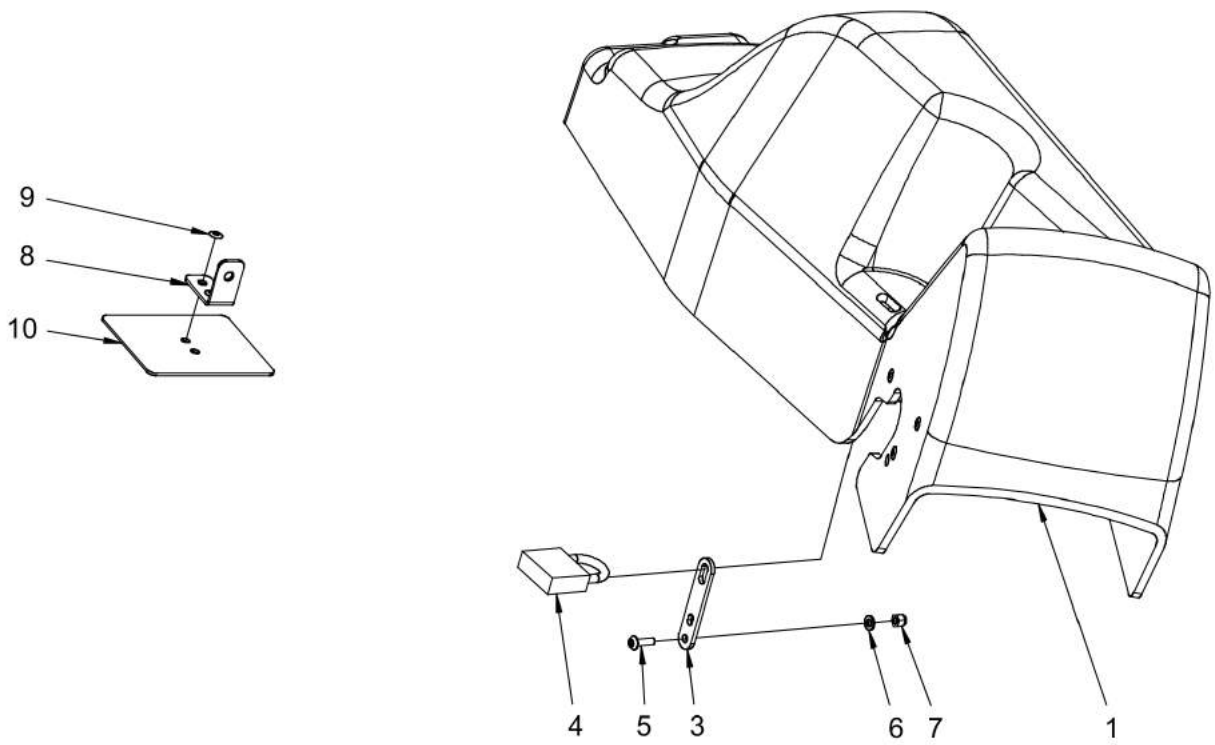
Item	Part No.	Name	Qty	L	SN INFO
1	4812118816	Seat belt 3"	1		
2	4700791572	Spacer washer	1		
3	4700904703	Plain washer 13x24x4 mm	4		
4	4700792527	Screw	1		
5	4700928347	Hexagon screw	2		
7	4700792441	Cable tie with holder	1		
8	4812117925	Buckle with reminder	1		

Drivers seat Reading light



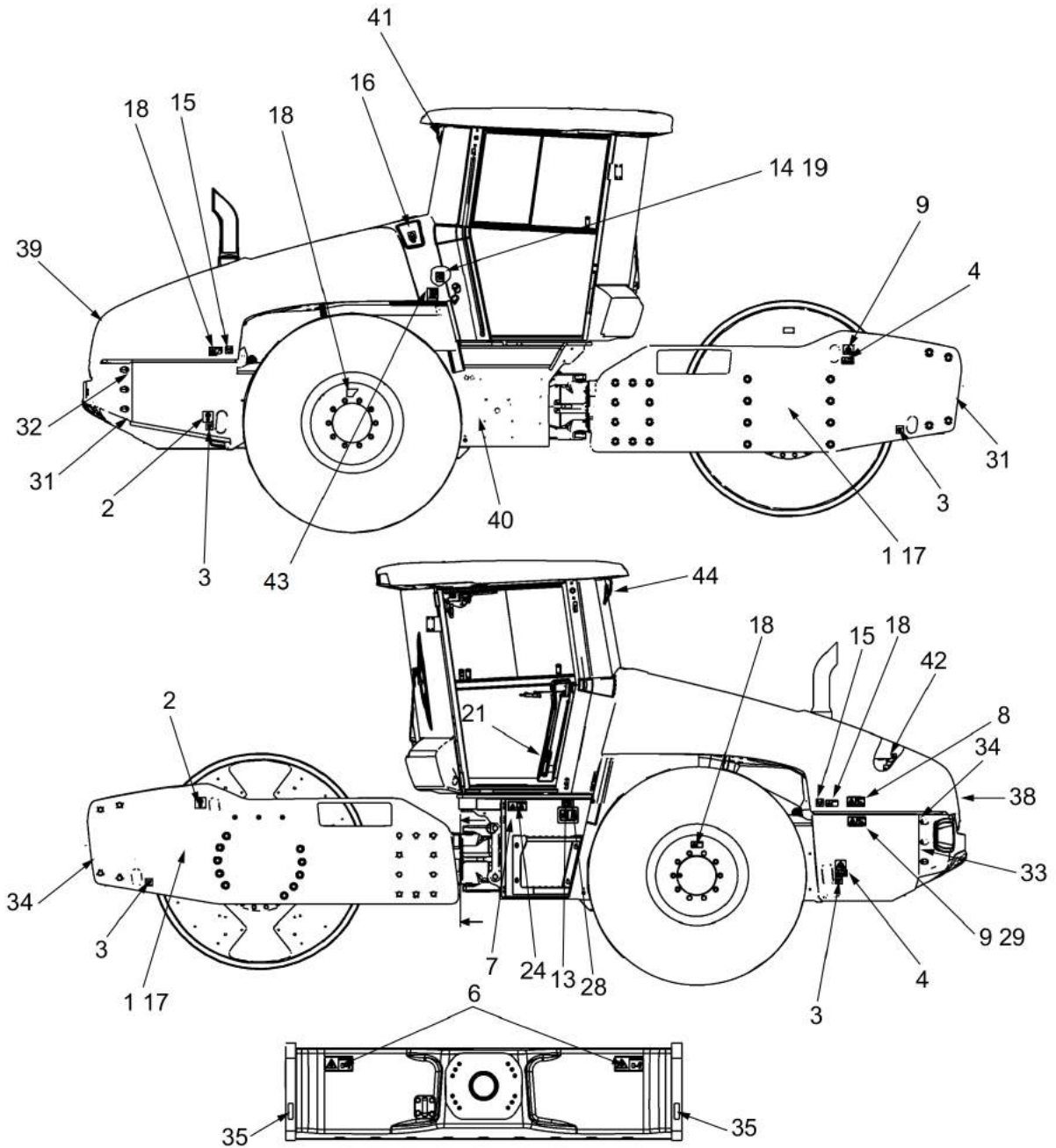
Item	Part No.	Name	Qty	L	SN INFO
1	4700397604	Reading lamp	1		
2	4700791421	Machine screw	2		
3	4700904281	Washer, 5,3x10x1 300HV	2		
4	4700586001	Lock nut	2		

Drivers seat Control panel cover



Item	Part No.	Name	Qty	L	SN INFO
1	4812126260	Instrument panel cover	1		
3	4700387545	Latch	1		
4	4700358881	Pad lock	1		
5	4700904653	Screw M5x16 A2-70	2		
6	4700904281	Washer, 5,3x10x1 300HV	4		
7	4700586001	Lock nut	2		
8	4700396670	Bracket	1		
9	4700904619	Blind rivet	2		
10	4812126261	Support plate	1		

Decals Decals



Refer to Parts Online for the most up to date information. The printed information might be outdated.

Wed Apr 11 13:34:15 UTC 2018

Item	Part No.	Name	Qty	L	SN INFO
1	4812120099	Decal "COMPACTING ROCKS" Right	1		
1	4812120098	Decal "COMPACTING ROCKS" Left	1		
2	4700588176	Decal "LIFT POINT"	2		
3	4700382751	Decal "SECURING POINT/TIE DOWN"	2		
4	4700908229	Safety decal	2		
6	4700903422	Safety decal "CRUSH AREA"	2		
7	4700903459	Decal "SAFETY"	1		
8	4700904895	Safety decal "Brake release"	1		
9	4700904870	Lifting data plate	2		
13	4700904835	Decal "BATTERY POWER"	1		
14	4700272373	Label, hydraulic oil level	1		
15	4700385080	Decal tyre pressure	2		
16	4700388449	Decal "ENGINE COOLANT FILL"	1		
17	4812120113	Decal "MODEL CODE" CA1500	2		
18	4700903985	Decal "SAFETY"	4		
19	4700272372	Decal "HYDRAULIC OIL"	1		
19	4700792772	Decal "BIO HYDRAULIC OIL" PANOLIN	1		
20	4700991658	Decal "FUEL"	1	A	
20	4811000345	Decal "ULTRA LOW SULFUR FUEL ONLY"	1	B	
21	4700903425	Safety decal "READ SAFETY INSTRUCTIONS"	1		
23	-	Product identification plate	1		
24	4700791274	Decal "Sound power level" 104 dB	1		
28	4700393959	Decal "Battery voltage 24V"	1		
29	4700624005	Blind rivet 3,2x6,1	8		
31	4700904390	Decal "Risk location"	2		
32	4700904389	Decal "Risk location"	1		
33	4700904391	Decal "Risk location"	2		
34	4700904388	Decal "Risk location"	1		
35	4700377742	Reflector, red	2		
38	4700903423	Safety label, Rotating engine components	1		
39	4700903424	Safety label, hot surfaces	1		
40	4811000443	Decal, Draining fuel	1		
41	4700904165	Safety decal "Toxic gases"	1		
42	4700791642	Decal "WARNING" Use of starting fluid prohib.	1		
43	4811000344	Decal, low sulfur	1	B	
44	4700903590	Decal emergency exit	1		

Refer to Parts Online for the most up to date information. The printed information might be outdated.

Wed Apr 11 13:34:15 UTC 2018

Comments for Page: Decals

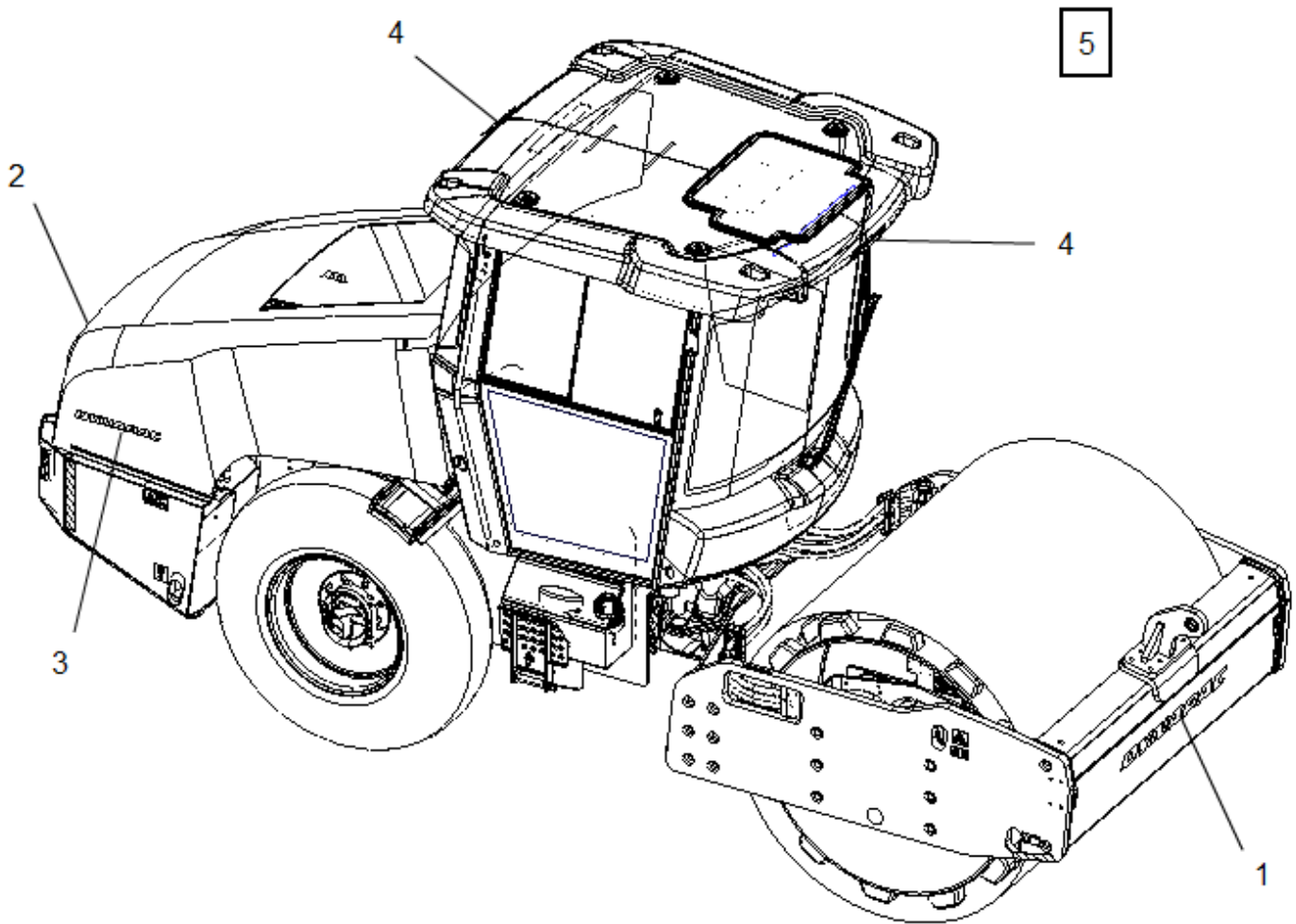
(L)OCAL REMARKS

A | (IIIA/T3)

B | (IIIB/T4i)

This page intentionally left blank

Decals Plain Dynapac decals, kit

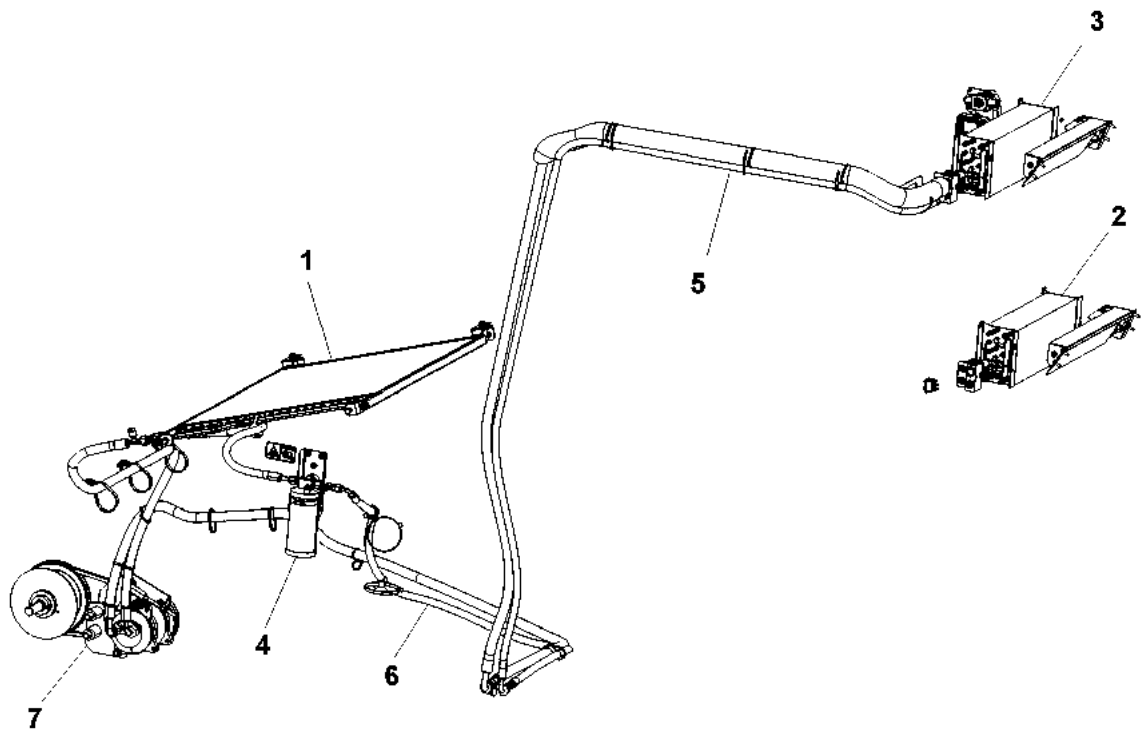


Refer to Parts Online for the most up to date information. The printed information might be outdated.

Wed Apr 11 13:34:15 UTC 2018

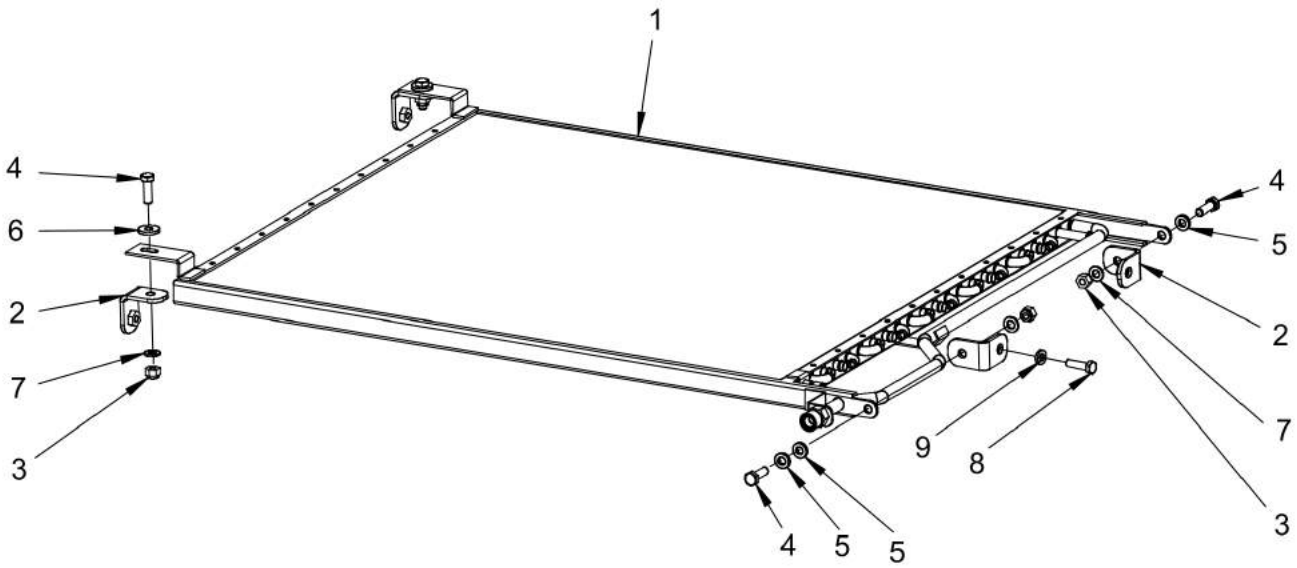
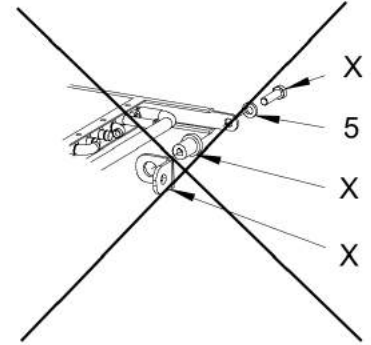
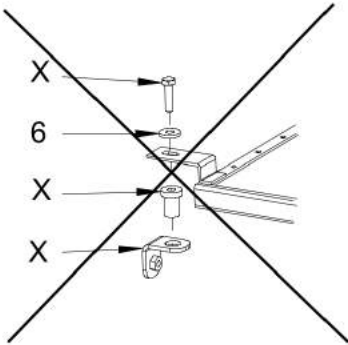
Item	Part No.	Name	Qty	L	SN INFO
0	4812127931	Plain Dynapac decals, kit			
1	4812127908	Decal "DYNAPAC", black 1010	1		
2	4700904097	Decal "DYNAPAC", White 290	1		
3	4812127820	Decal "DYNAPAC", black 420	2		
4	4812127819	Decal "DYNAPAC", black 290	2		
5		Drawing for instruction	1		

Air conditioning Air conditioning



Item	Part No.	Name	Qty	L	SN INFO
1	-	Condensor assembly	1		
2	-	AC module	1		
3	-	ACC module	1		
4	-	Drying filter module	1		
5	-	Hose assy kit for AC	1		
6	-	Hose assy kit for AC	1		
7	-	Compressor module	1		

Air conditioning Condensor assembly

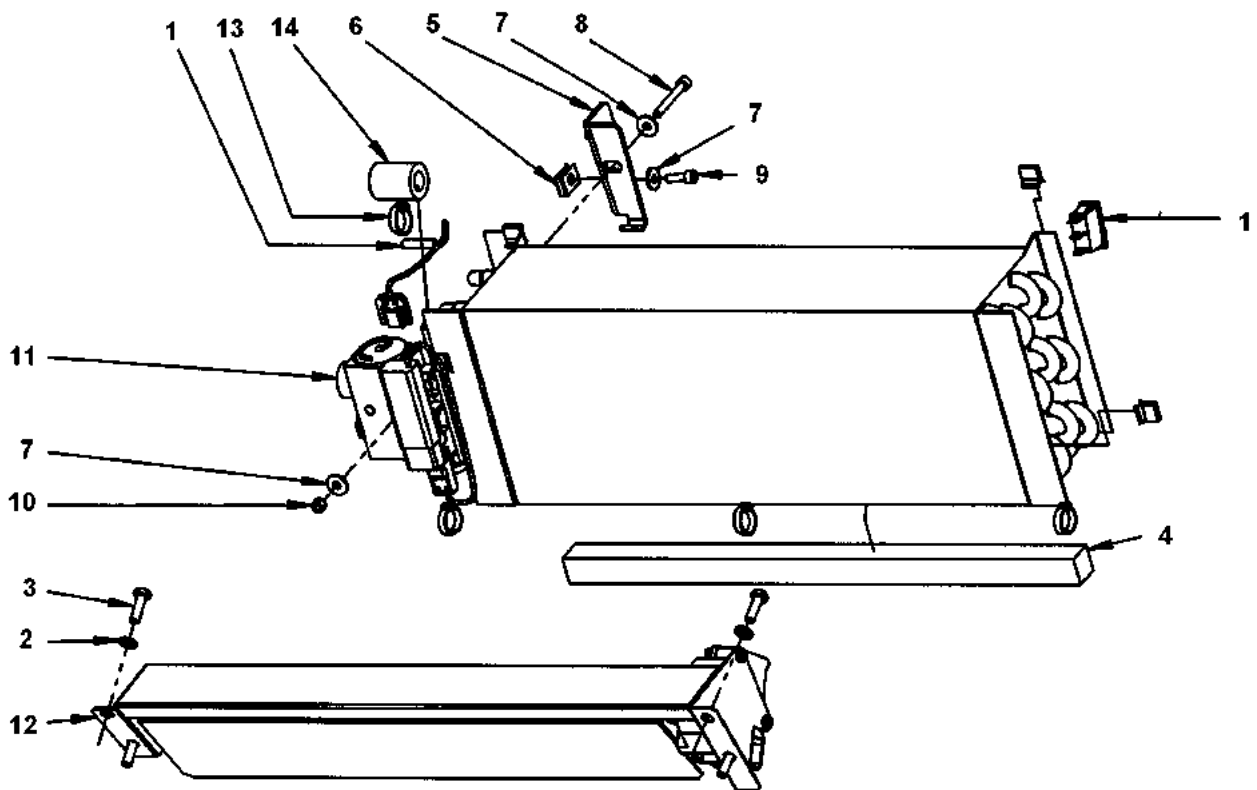


Refer to Parts Online for the most up to date information. The printed information might be outdated.

Wed Apr 11 13:34:15 UTC 2018

Item	Part No.	Name	Qty	L	SN INFO
1	4812113032	Condensor	1		
2	4812123800	Bracket	4		
3	4700586003	Lock nut M8	4		
4	4700500021	Screw, M8x25 mm 8.8 A2K	4		
5	4700904556	Steel plain washer 8,4x16x3,0	3		
6	4700904640	Washer, 8.4x22x3 mm 300HV	2		
7	4700904229	Washer, 8.4x 6x1.5 mm 300HV	4		
8	4700500022	Screw	4		
9	4700904556	Steel plain washer 8,4x16x3,0	4		
X	-	Not to be used			

Air conditioning AC module



Refer to Parts Online for the most up to date information. The printed information might be outdated.

Wed Apr 11 13:34:15 UTC 2018

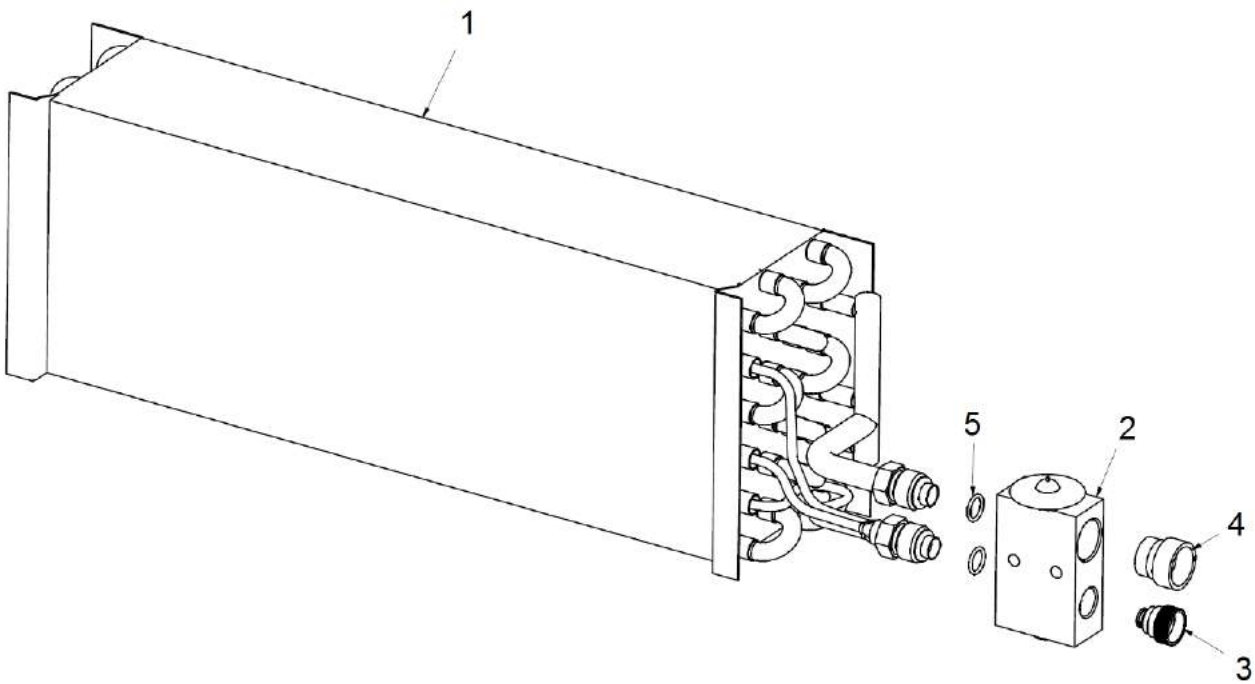
Item	Part No.	Name	Qty	L	SN INFO
1	4812113622	Ac kit	1		
1	4700950348	Switch, air condition	1		
1	4812158481	Switch, flapper	1		
1	4812158482	Thermostat	1		
2	4700904228	Washer 6,4x12x1,5	4		
3	4700500040	Screw, M6x20 mm 8.8 A2K	4		
4	4700792718	Foam rubber	1		
5	4812114311	Bracket	1		
6	4811000458	Speed nut	2		
7	4700601001	Washer	4		
8	4700508099	Screw	1		
9	4700926537	Screw	2		
10	4700570003	Hex. nut	1		
11	4812113623	Evaporator, cpl	1		
12	4812115013	Air intake	1		
13	4700313041	Cable ties, L=200 mm	10		
14	4812117349	Cork tape	1XL	A	

Comments for Page: AC module

(L)OCAL REMARKS

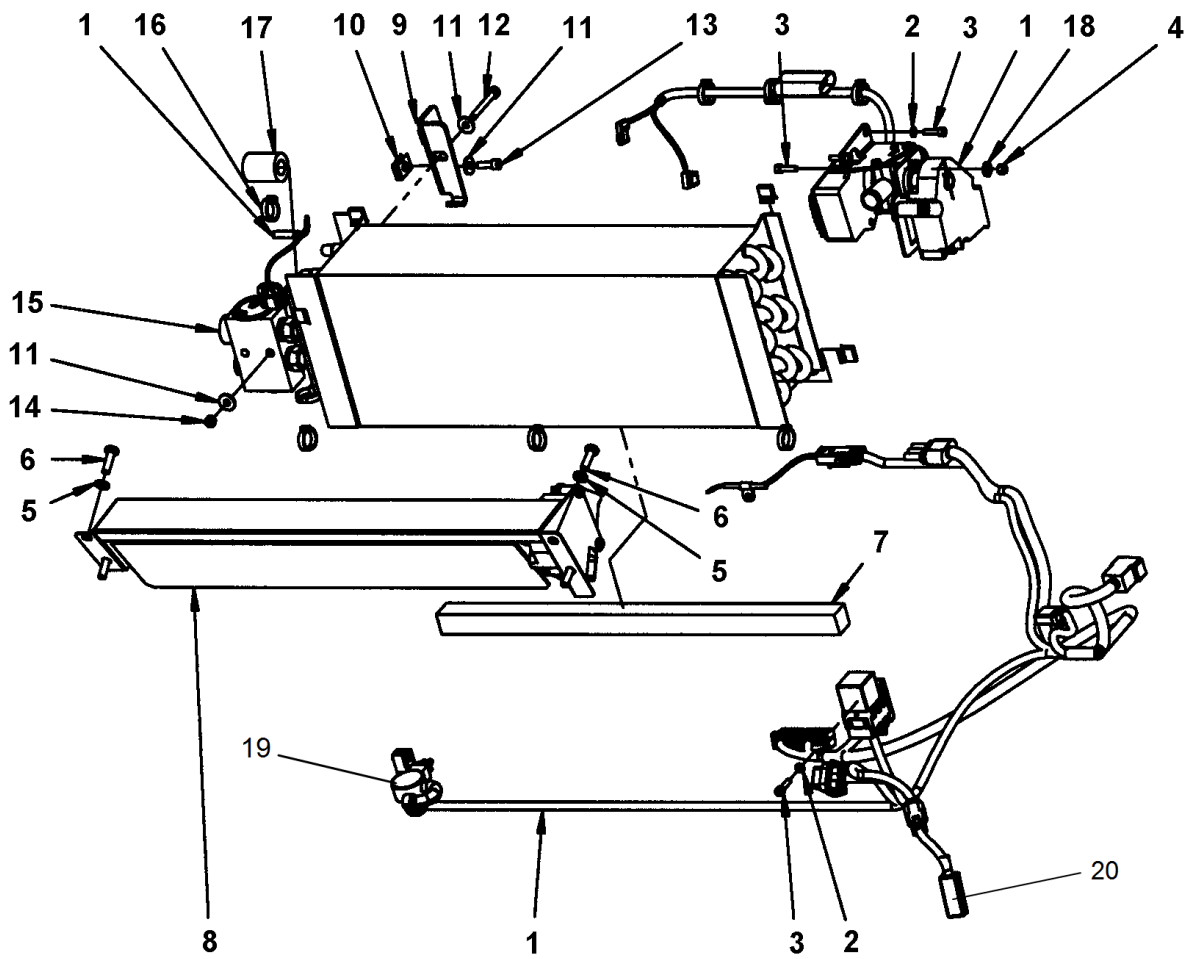
A | en_US | L = 0.5m

Air conditioning 4812113623 Evaporator, cpl



Item	Part No.	Name	Qty	L	SN INFO
1	4812160598	Evaporator coil	1		
2	4700384176	Expansion valve	1		
3	-	Connector plug	1		
4	-	Connector plug	1		
5	4700384878	O-ring Size 8	2		

Air conditioning ACC module



Refer to Parts Online for the most up to date information. The printed information might be outdated.

Wed Apr 11 13:34:16 UTC 2018

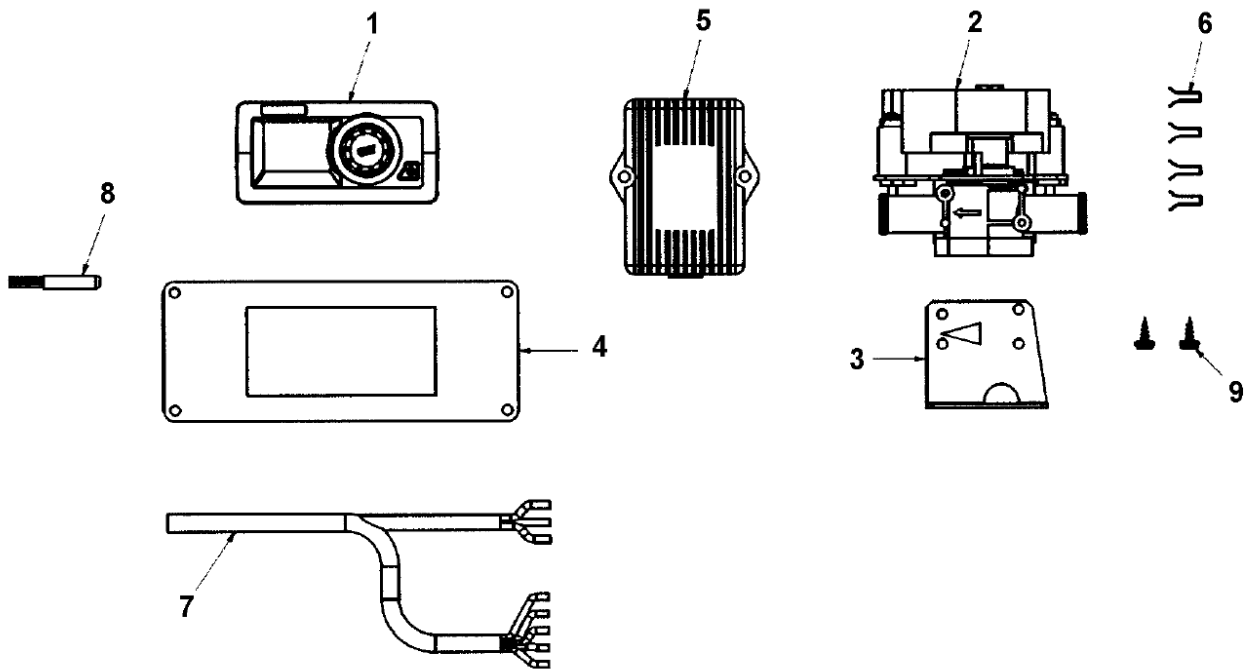
Item	Part No.	Name	Qty	L	SN INFO
1	4812113624	ACC kit	1		
2	4700904698	Plain washer	3		
3	4700508022	Hexagon socket head cap screw	4		
4	4700923976	Lock nut	1		
5	4700904228	Washer 6,4x12x1,5	4		
6	4700500040	Screw, M6x20 mm 8.8 A2K	4		
7	4700792718	Foam rubber	1		
8	4812115013	Air intake	1		
9	4812114311	Bracket	1		
10	4811000458	Speed nut	2		
11	4700601001	Washer	4		
12	4700508099	Screw	1		
13	4700926537	Screw	2		
14	4700570003	Hex. nut	1		
15	4812113623	Evaporator, cpl	1		
16	4700313041	Cable ties, L=200 mm	10		
17	4812117349	Cork tape	1XL	A	
18	4700904299	Washer	1		
19	4700938624	Sensor, inner temp	1		
20	4812161298	Sensor, outer temp	1		

Comments for Page: ACC module

(L)OCAL REMARKS

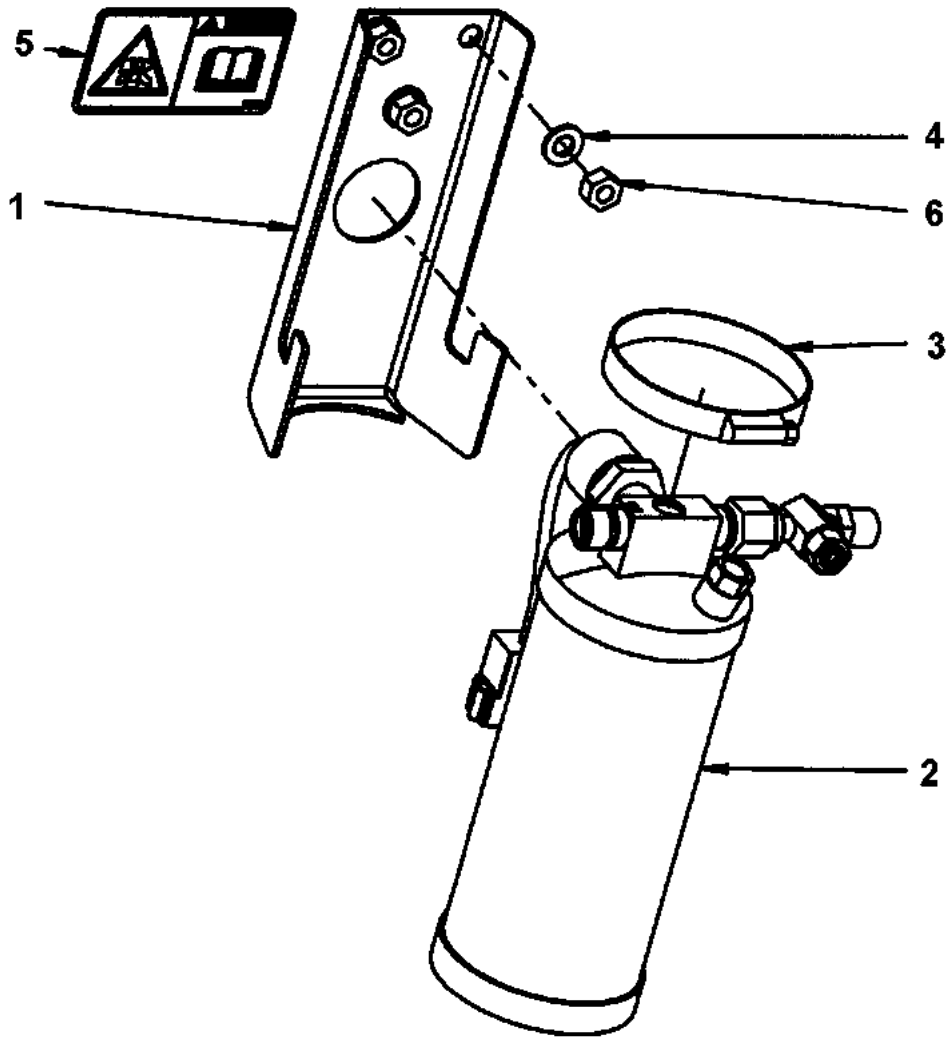
A | en_US | L = 0.5m

Air conditioning 4812113624 ACC kit



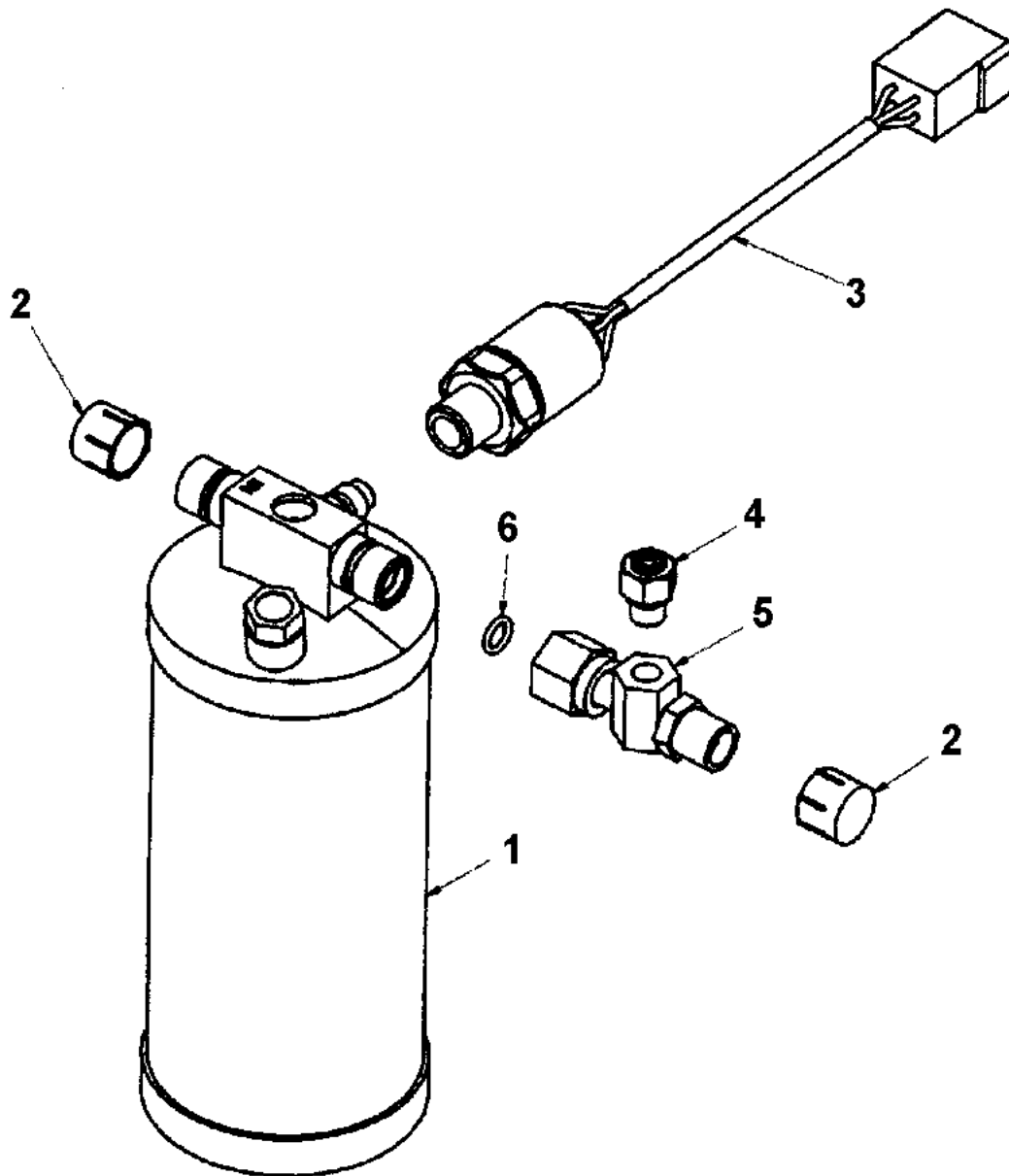
Item	Part No.	Name	Qty	L	SN INFO
1	4812158289	Micro ECC	1		
1	4812160767	Knob	1		
2	4700383425	Electronic valve	1		
3	-	Bracket	1		
4	-	Panel	1		
5	4812158290	Blower control	1		
6	-	Clip	4		
7	4812158291	Cable harness	1		
8	4812158292	Deicing sensor	1		
9	-	Screw	2		

Air conditioning Drying filter module



Item	Part No.	Name	Qty	L	SN INFO
1	4812111311	Bracket	1		
2	4812114257	Drying filter assy	1		
3	4700313022	Hose clamp	1		
4	4700904229	Washer, 8.4x 6x1.5 mm 300HV	3		
5	4700904165	Safety decal "Toxic gases"	1		
6	4700570005	Hexagon nut	3		

Air conditioning 4812114257 Drying filter assy

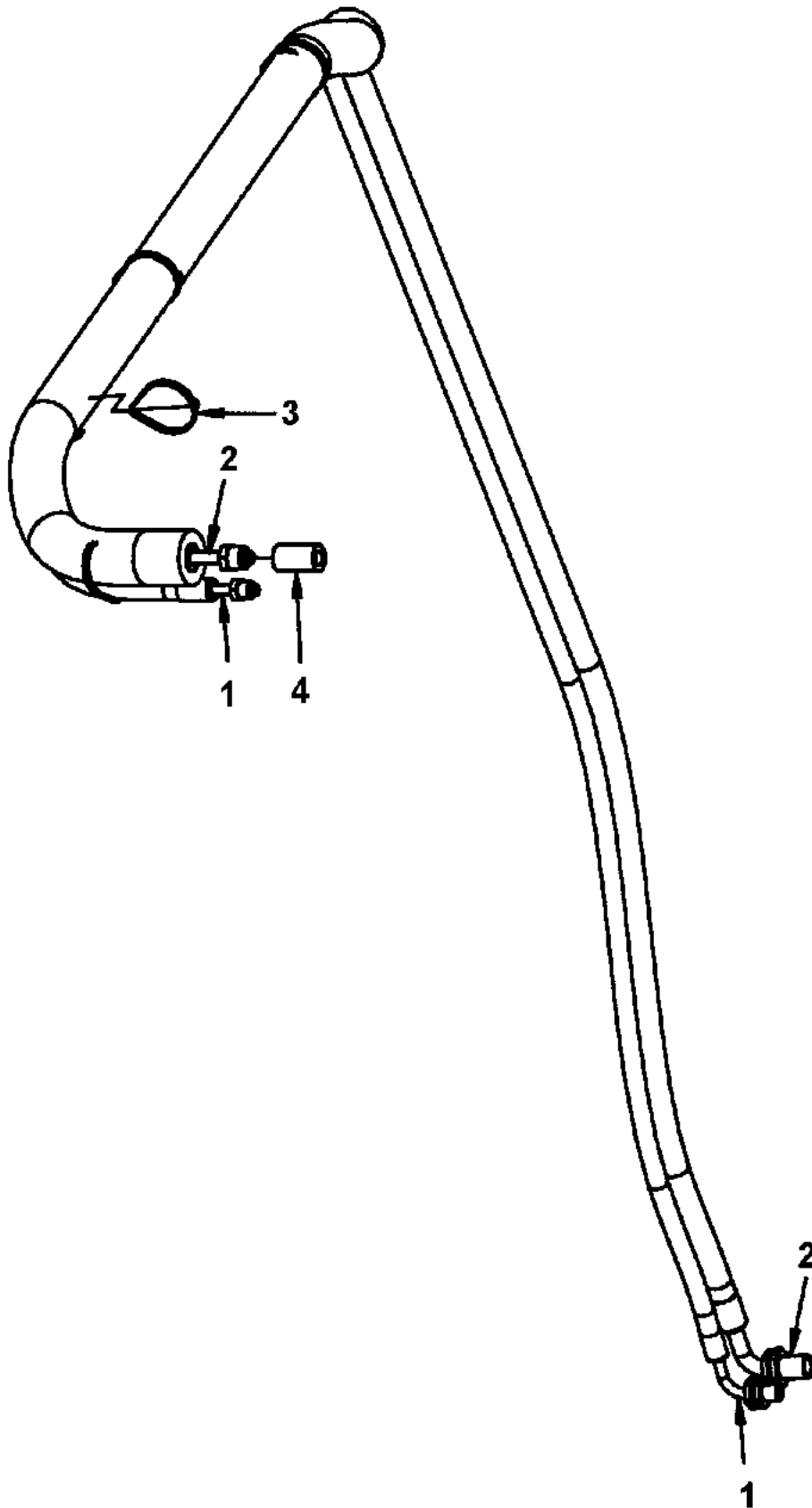


Refer to Parts Online for the most up to date information. The printed information might be outdated.

Wed Apr 11 13:34:16 UTC 2018

Item	Part No.	Name	Qty	L	SN INFO
1	4812113083	Drying filter	1		
2	-	Plastic cap	2		
3	4812113245	Pressure switch	1		
4	4812114245	Pressure relief valve	1		
5	4812114246	Adapter	1		
6	-	O-ring	1		

Air conditioning Hose assy kit for AC



Refer to Parts Online for the most up to date information. The printed information might be outdated.

Wed Apr 11 13:34:16 UTC 2018

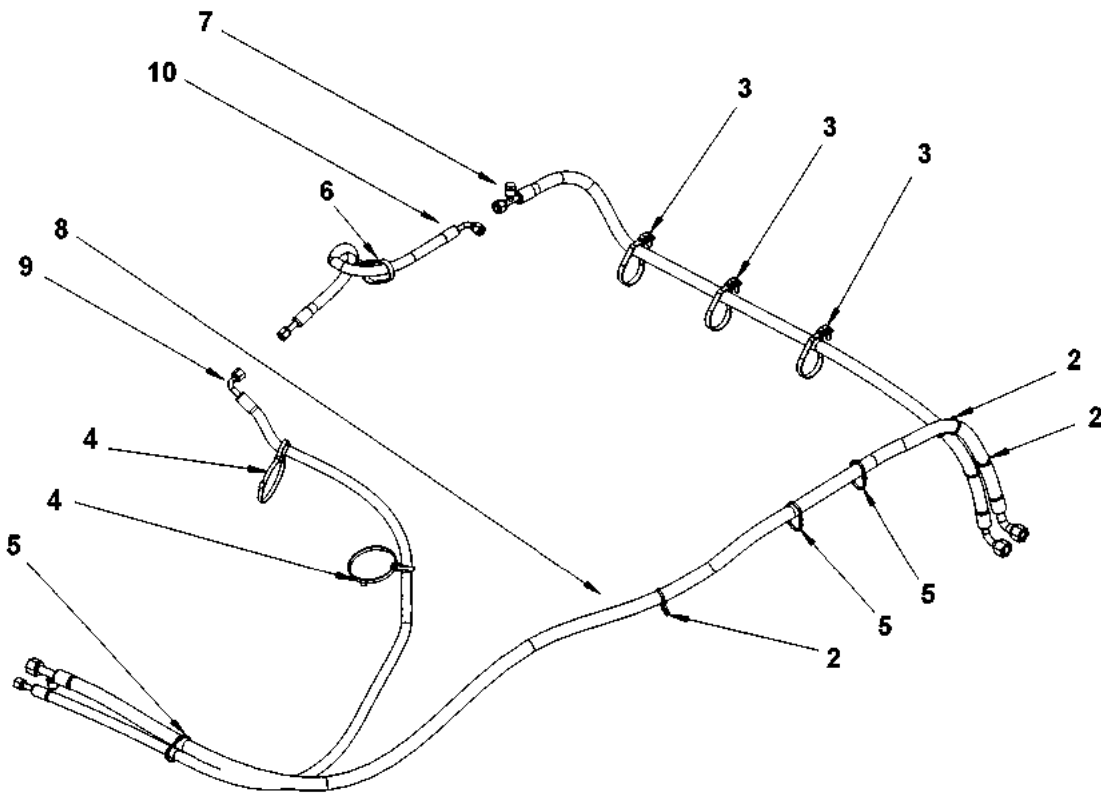
Item	Part No.	Name	Qty	L	SN INFO
1	4812114931	Refrigerant hose	1		
2	4812114932	Refrigerant hose	1		
3	4700792609	Cable ties	7		
4	4812117349	Cork tape	1XL	A	

Comments for Page: Hose assy kit for AC

(L)OCAL REMARKS

A | en_US | L = 0.2m

Air conditioning Hose assy kit for AC

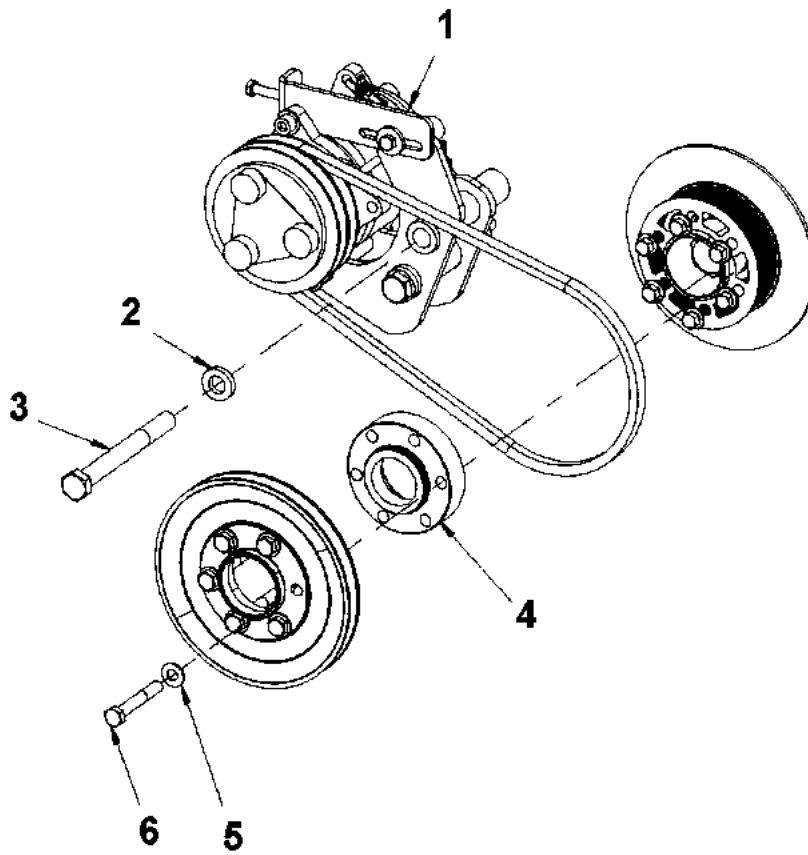


Refer to Parts Online for the most up to date information. The printed information might be outdated.

Wed Apr 11 13:34:16 UTC 2018

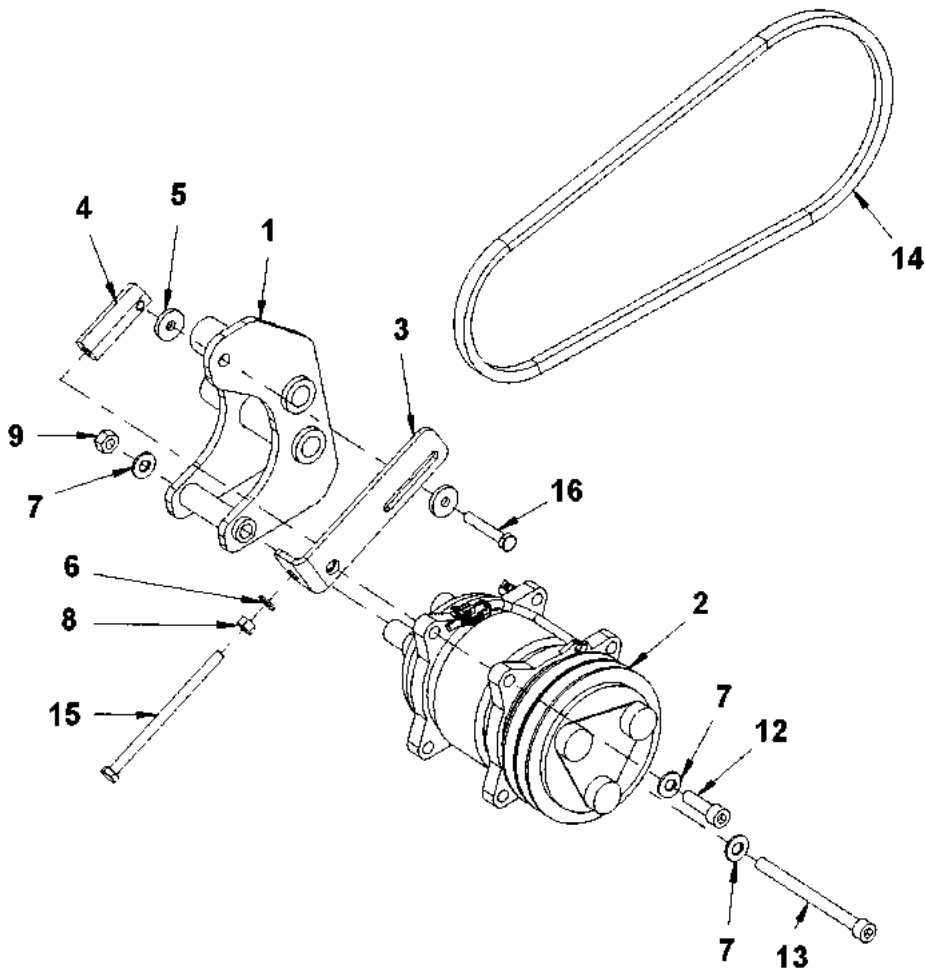
Item	Part No.	Name	Qty	L	SN INFO
2	4700792686	Cable tie with holder	3		
3	4812115836	Cable tie	3		
4	4812117248	Cable tie with holder	2		
5	4700313041	Cable ties, L=200 mm	N		
6	4812115835	Cable tie	1		
7	4812119489	Refrigerant hose	1		
8	4812119953	Refrigerant hose	1		
9	4812113491	Refrigerant hose	1		
10	4812113492	Refrigerant hose	1		

Air conditioning Compressor module



Item	Part No.	Name	Qty	L	SN INFO
1		Compressor assembly	1		
2	4700904558	Washer, 17x30x6 mm 300 HV	2		
3	4700500164	Screw M16-2,0x150 8,8	2		
4	4812118596	Spacer	1		
5	4700904230	Plain washer 10.5x22x2 mm	6		
6	4700500149	Screw	6		

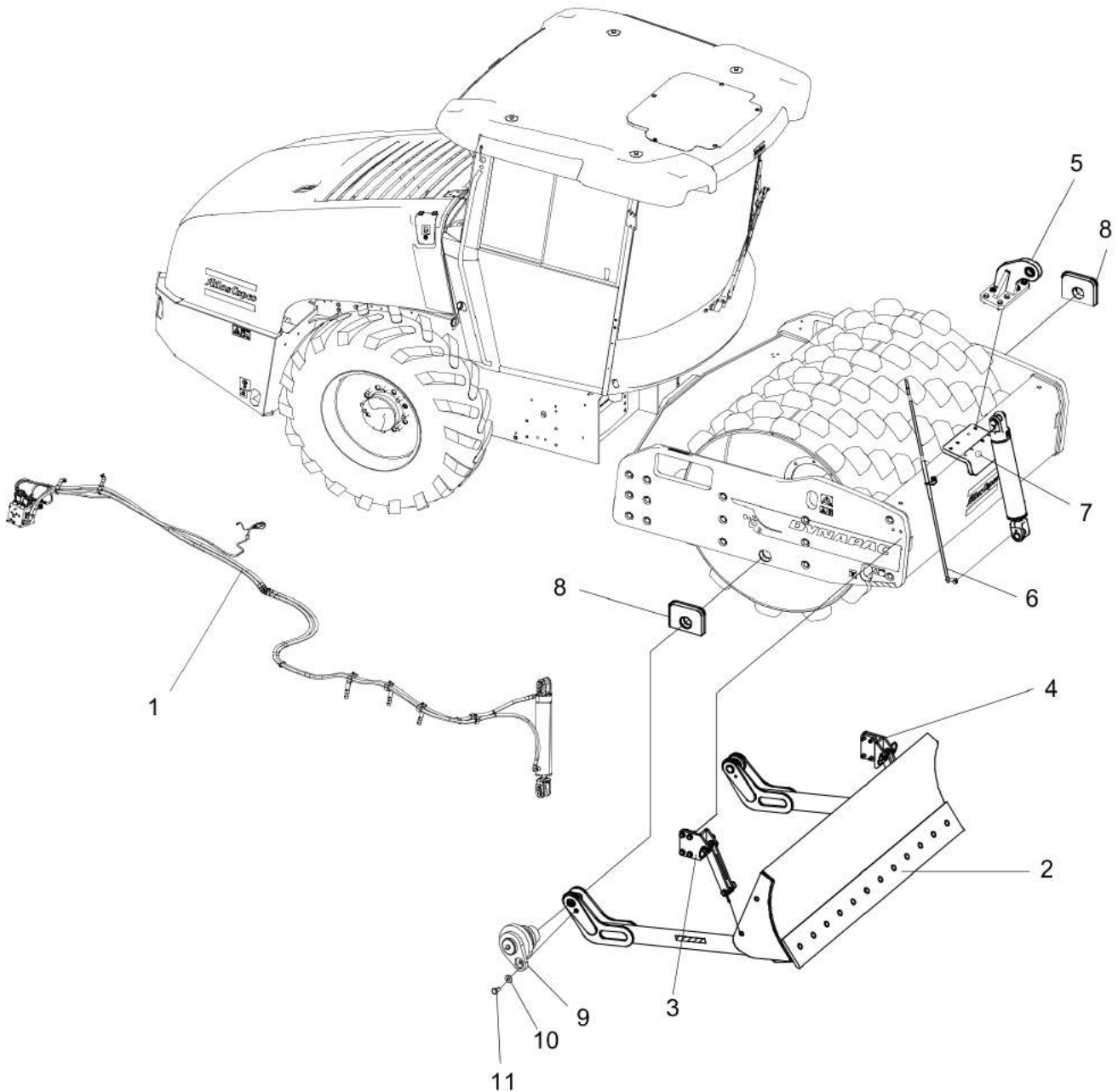
Air conditioning Compressor assembly



Refer to Parts Online for the most up to date information. The printed information might be outdated.

Wed Apr 11 13:34:16 UTC 2018

Item	Part No.	Name	Qty	L	SN INFO
1	4812118379	Bracket	1		
2	4700396036	Compressor	1		
3	4812118380	Belt tightener	1		
4	4812118381	Adjusting nut	1		
5	4700904734	Washer, 8.4x26x4 mm 300 HV	2		
6	4700904229	Washer, 8.4x 6x1.5 mm 300HV	1		
7	4700904230	Plain washer 10.5x22x2 mm	3		
8	4700570005	Hexagon nut	1		
9	4700570006	Hexagon nut	1		
12	4700508053	Screw	1		
13	4700792797	Hexagon socket head cap screw m	1		
14	4700281327	Belt	1		
15	0147195898	Hexagon head screw m	1		
16	4700500239	Hex. head screw	1		

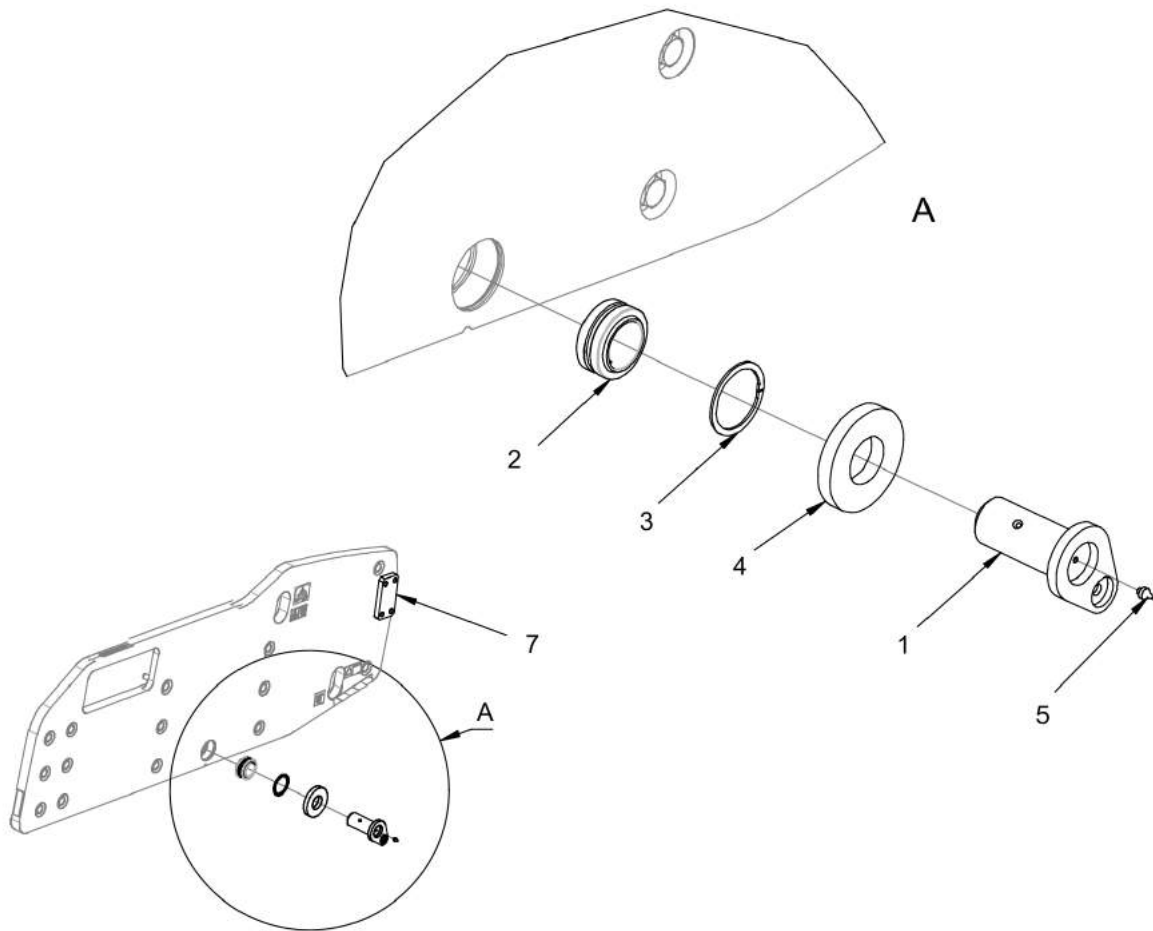
Strike off blade kit Strike off blade kit

Refer to Parts Online for the most up to date information. The printed information might be outdated.

Wed Apr 11 13:34:17 UTC 2018

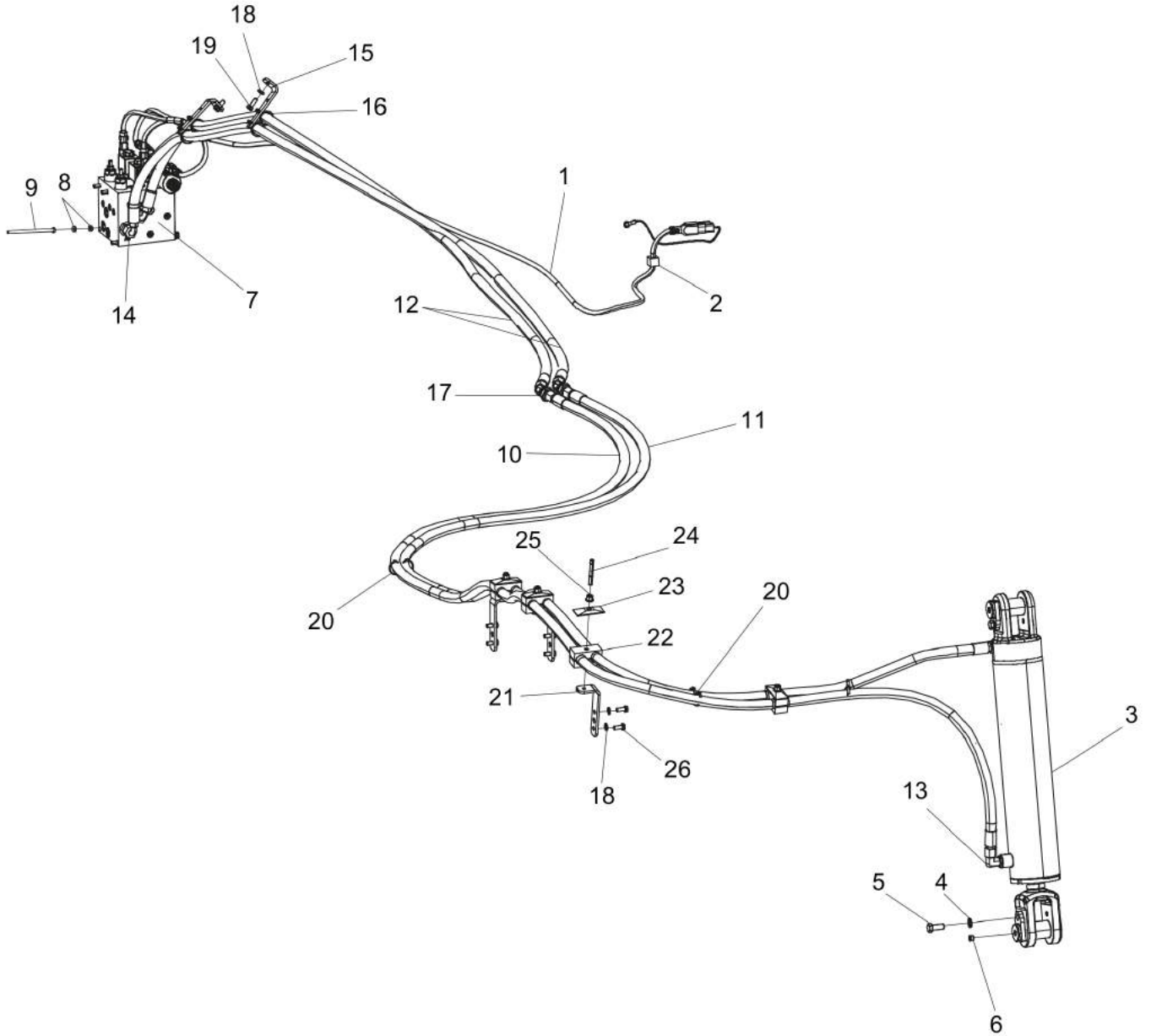
Item	Part No.	Name	Qty	L	SN INFO
0	4812141829	Strike off blade kit, cpl	1		
1	-	Hydraulics and electrical	1		
2	-	Strike off blade, module	1		
3	-	Locking device, module	1		
4	-	Locking device, module	1		
5	-	Bracket module	1		
6	-	Indicator	1		
7	4812117574	Sheet metal part	1		
8	4812121666	Bearing plate	2		
9		Bearing mount	1		
10	4700904230	Plain washer 10.5x22x2 mm	2		
11	4700500043	Screw M10x16	2		

Strike off blade kit Bearing mount



Item	Part No.	Name	Qty	L	SN INFO
1	4812117643	Locking pin	2		
2	4700902062	Bushing	2		
3	4700151044	Retaining ring	2		
4	4812111940	Spacer	2		
5	4700926214	Grease fitting	2		
7	4812113996	Plate	2		

Strike off blade kit Hydraulic and Electrical, Strike off blade kit

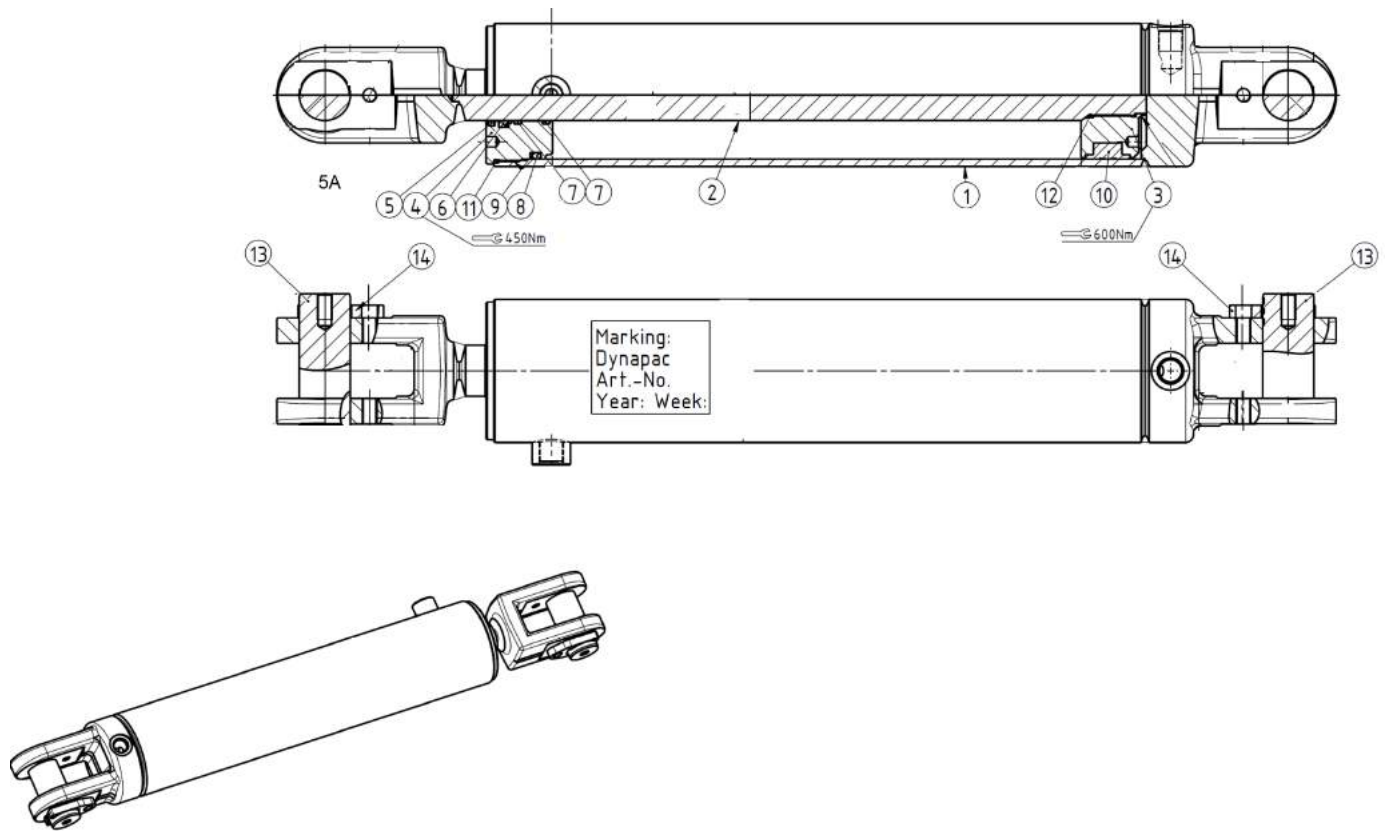


Refer to Parts Online for the most up to date information. The printed information might be outdated.

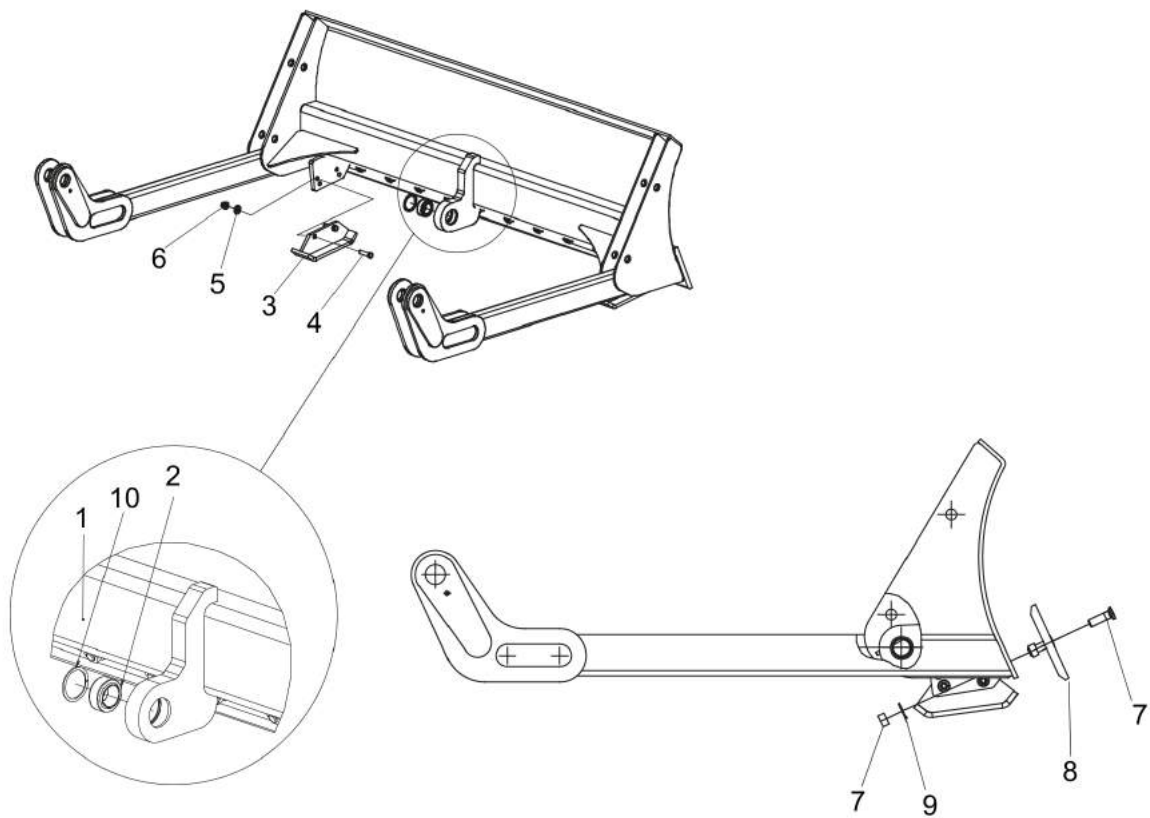
Wed Apr 11 13:34:18 UTC 2018

Item	Part No.	Name	Qty	L	SN INFO
1	4812111838	Cable harness	1		
2	4812112068	Cable entry insert	1		
3	4812121948	Hydraulic cylinder	1		
4	4700900994	Lock washer	2		
5	4700500046	Hex. head screw M12x030H	2		
6	4700792083	Plug	2		
7	4812113498	Hydraulic valve	1		
8	4700904556	Steel plain washer 8,4x16x3,0	8		
9	4700792359	Screw M8x160 8.8	4		
10	4812121706	Hydraulic hose	1		
11	4812121990	Hydraulic hose	1		
12	4812115085	Hydraulic hose	2		
13	4700791841	Elbow 90 orfs	2		
14	4700791799	Straight connector orfs	2		
15	4812112530	Bracket	2		
16	4700792441	Cable tie with holder	4		
17	4811000260	Bulkhead elbow 45 ORFS	2		
18	4700904229	Washer, 8.4x 6x1.5 mm 300HV	8		
19	4700500020	Hex. screw	2		
20	4700792686	Cable tie with holder	3		
21	4812112362	Bracket	3		
22	4700903456	Pipe clamp	4		
23	4700904872	Cover plate	4		
24	4700792500	Stud	4		
25	4700902286	Lock nut, M8x1.25 mm A2K	4		
26	4700500053	Screw, M8x20 mm 8.8 A2K	6		

Strike off blade kit 4812121948 Hydraulic cylinder



Item	Part No.	Name	Qty	L	SN INFO
0	4812121948	Hydraulic cylinder	1		
1	--	Cylinder pipe	1		
2	--	Piston rod	1		
3	--	Piston	1		
4	--	Guide block	1		
5A	4700950417	Seal kit	1		
5	---	Wiper	1		
6	---	Rod seal	1		
7	---	Guide Ring	2		
8	---	O-ring	1		
9	---	Backup ring	1		
10	---	Piston seal	1		
11	---	O-ring	1		
12	---	O-ring	1		
13	--	Pin	2		
14	--	Washer	2		

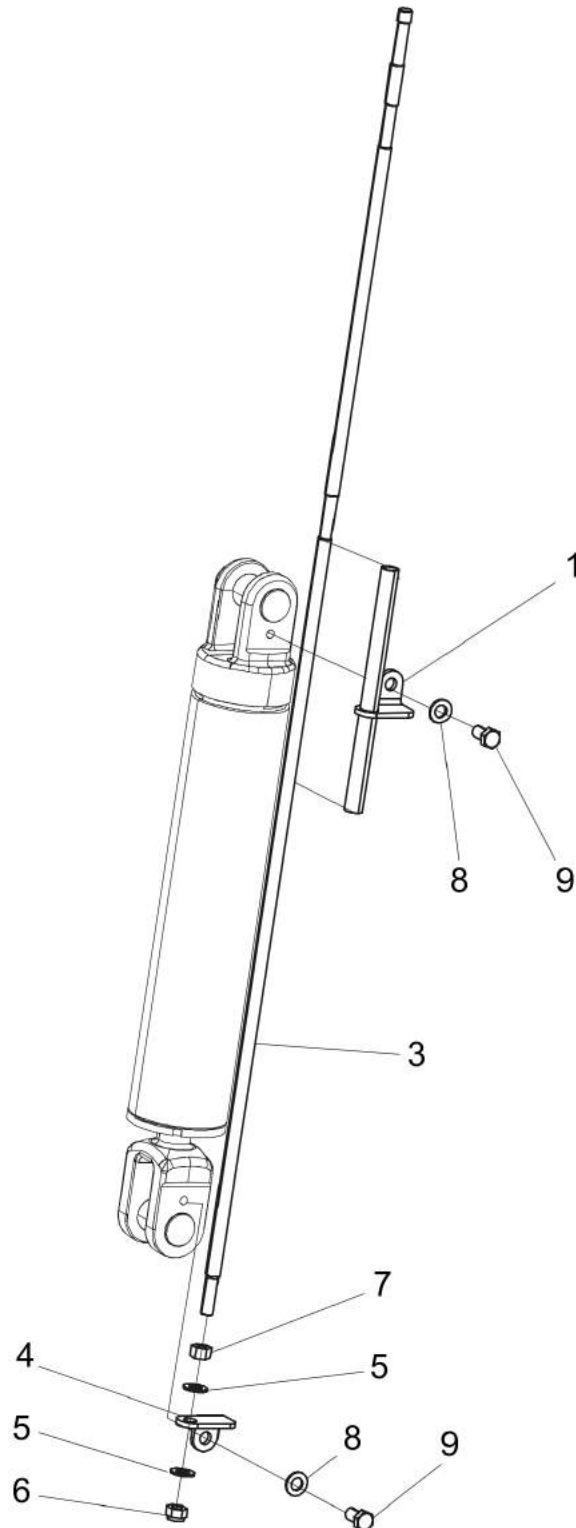
Strike off blade kit Strike-off blade, mount

Refer to Parts Online for the most up to date information. The printed information might be outdated.

Wed Apr 11 13:34:18 UTC 2018

Item	Part No.	Name	Qty	L	SN INFO
1	4812117411	Strike-off blade	1		
2	4700792611	Radial spherical plain bearing	1		
3	4700346217	Shoe	2		
4	4700500195	Screw	4		
5	4700904213	Steel Plain Washer	4		
6	4700902288	Nut M12	4		
7	4700801251	Screw with nut	12		
8	4812117420	Wear plate	1		
9	4700904260	Washer	12		
10	4700151021	Snap ring	1		

Strike off blade kit Indicator, module

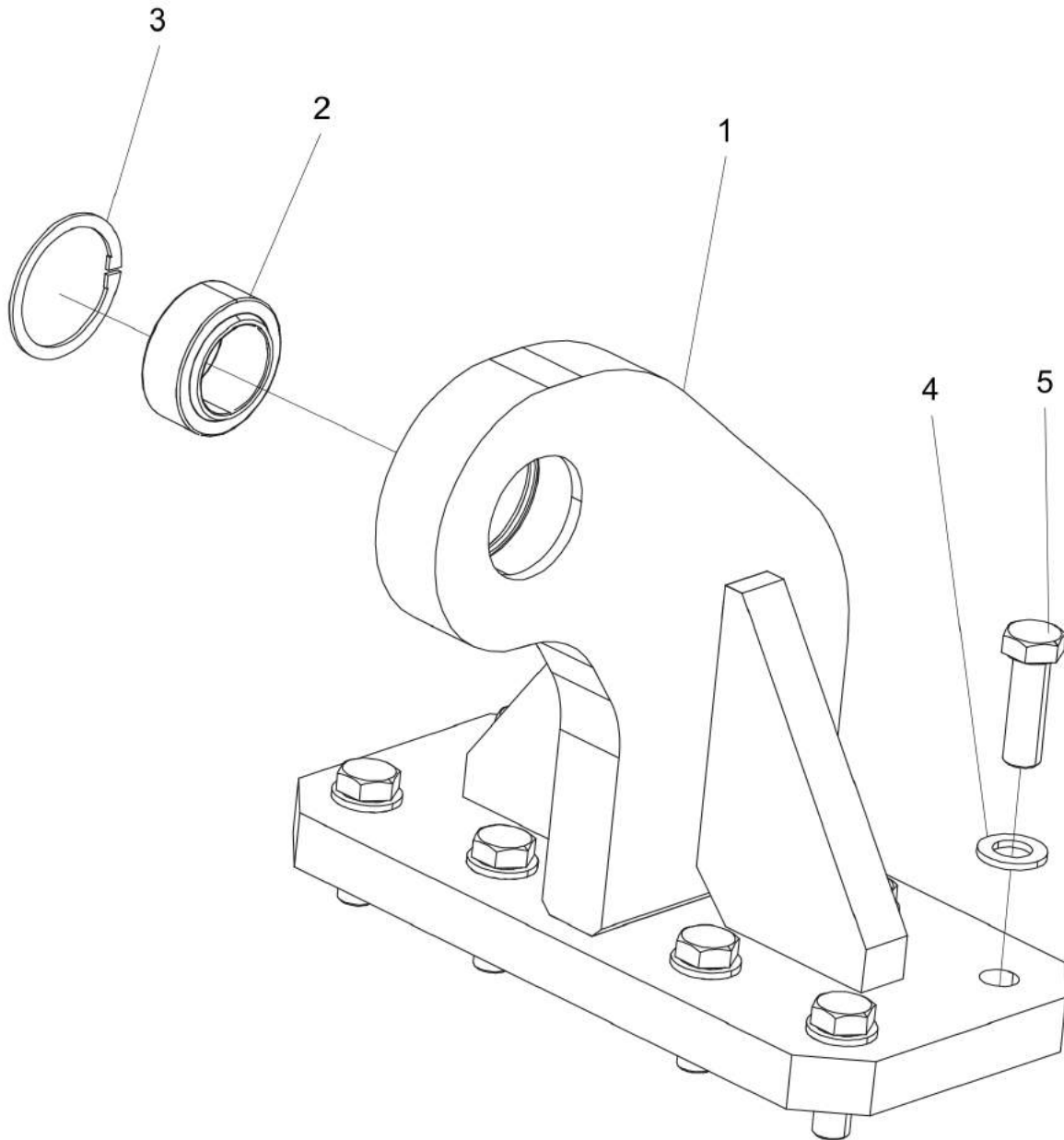


Refer to Parts Online for the most up to date information. The printed information might be outdated.

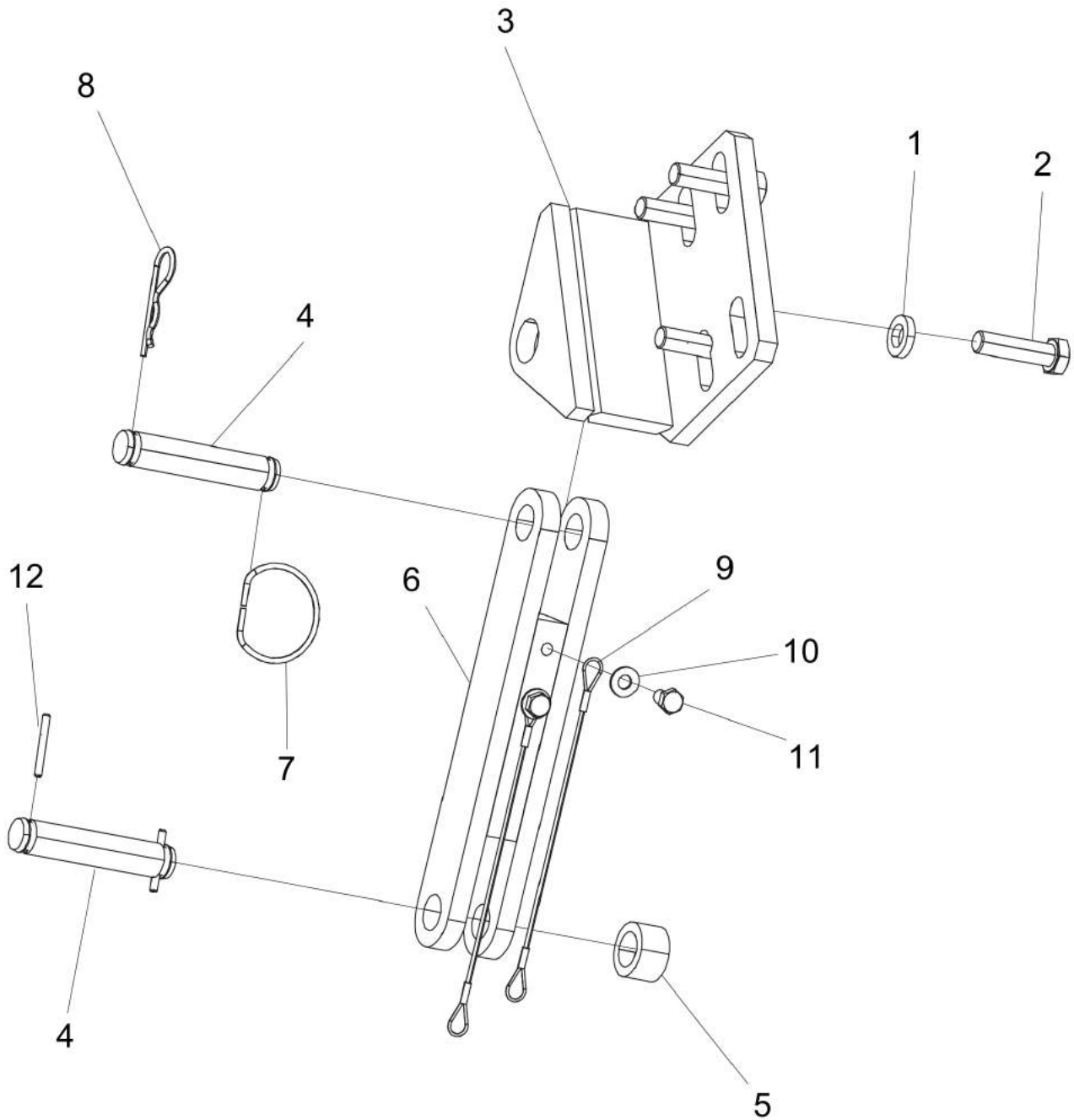
Wed Apr 11 13:34:19 UTC 2018

Item	Part No.	Name	Qty	L	SN INFO
1	4812113935	Bracket	1		
3	4812113936	Indicator	1		
4	4812113934	Bracket	1		
5	4700904231	Washer, 13x24x2 mm 300 HV	2		
6	4700791963	Lock nut M12	1		
7	4700570007	Nut	1		
8	4700904231	Washer, 13x24x2 mm 300 HV	2		
9	4700500036	Screw	2		

Strike off blade kit Bracket, module



Item	Part No.	Name	Qty	L	SN INFO
1	4812117417	Bracket	1		
2	4700792611	Radial spherical plain bearing	1		
3	4700151021	Snap ring	1		
4	4700904232	Steel plain washer	8		
5	4700947697	Screw	8		

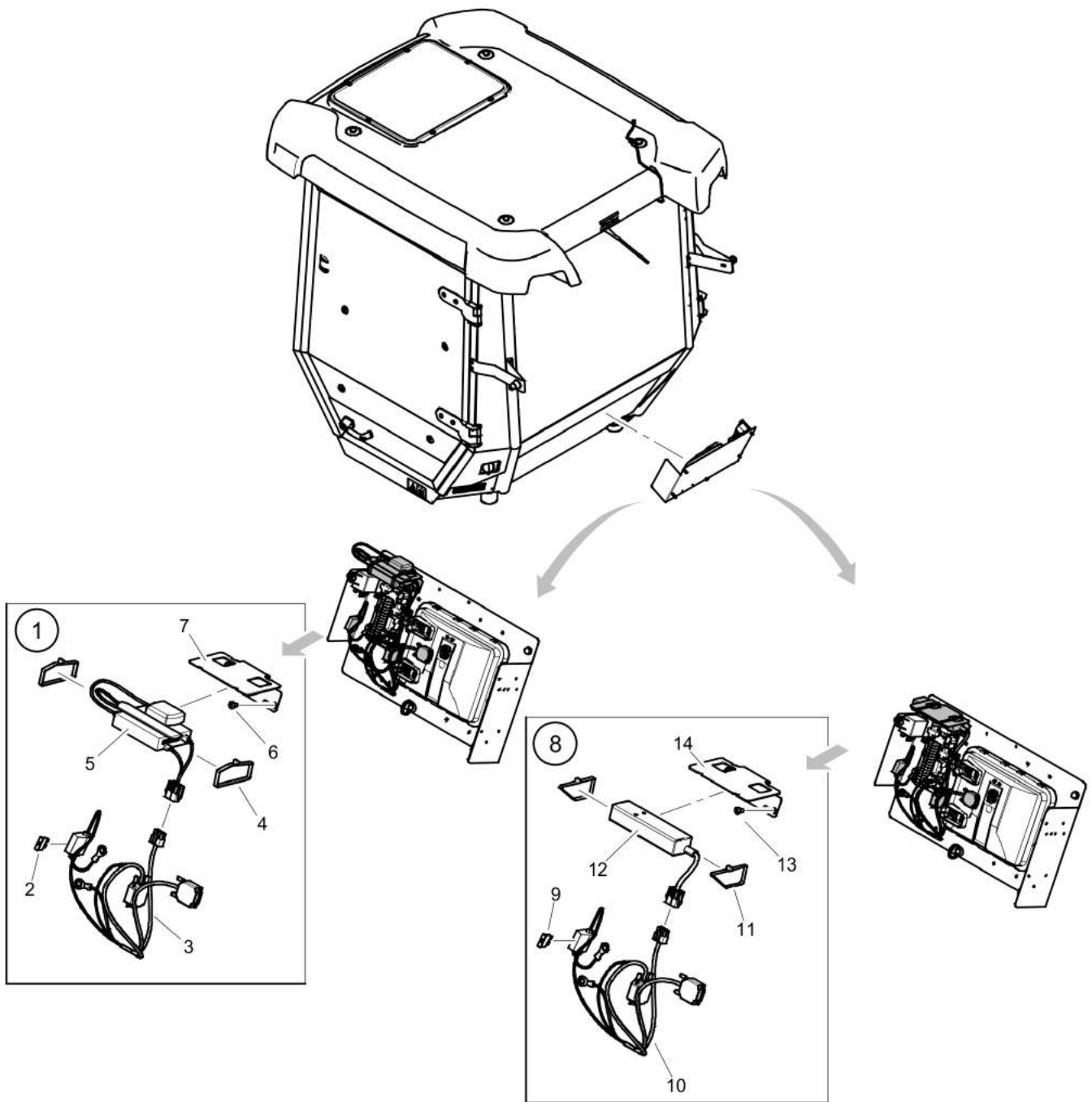
Strike off blade kit Locking device, module

Refer to Parts Online for the most up to date information. The printed information might be outdated.

Wed Apr 11 13:34:19 UTC 2018

Item	Part No.	Name	Qty	L	SN INFO
1	4700904558	Washer, 17x30x6 mm 300 HV	4		
2	4812117740	Hex head screw M16x90	4		
3	4812121886	Bracket	1		
4	4812111946	Pin	2		
5	4812111937	Spacer sleeve	1		
6	4812117587	Safety link	1		
7	4700357488	Spring	1		
8	4700635061	Pin	1		
9	4700381619	Wire	2		
10	4700904260	Washer	2		
11	4700500043	Screw M10x16	2		
12	4700629076	Spring pin	2		

Optional equipment Dyn@Link module

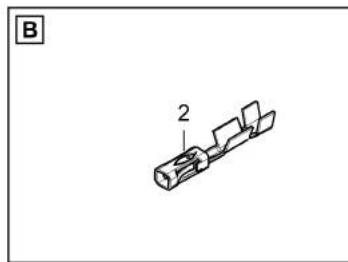
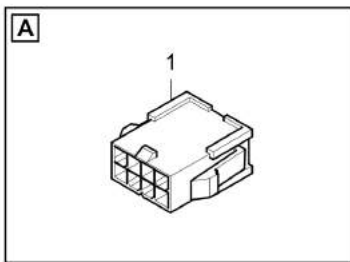
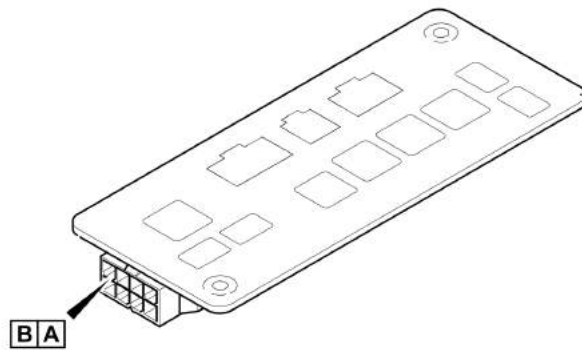


Refer to Parts Online for the most up to date information. The printed information might be outdated.

Wed Apr 11 13:34:20 UTC 2018

Item	Part No.	Name	Qty	L	SN INFO
1		FleetLink Advanced			
2	4700901225	Fuse 5A Tan	1		
3	4812124256	Wiring harness	1		
4	4700792609	Cable ties	2		
5	4812013040	GPS module	1		
6	4700792210	Screw torx	2		
7	4812124199	Bracket	1		
8		FleetLink			
9	4700901225	Fuse 5A Tan	1		
10	4812124256	Wiring harness	1		
11	4700792609	Cable ties	2		
12	4812013038	GPS module	1		
13	4700792210	Screw torx	2		
14	4812124199	Bracket	1		

Optional equipment 4812013038 GPS module



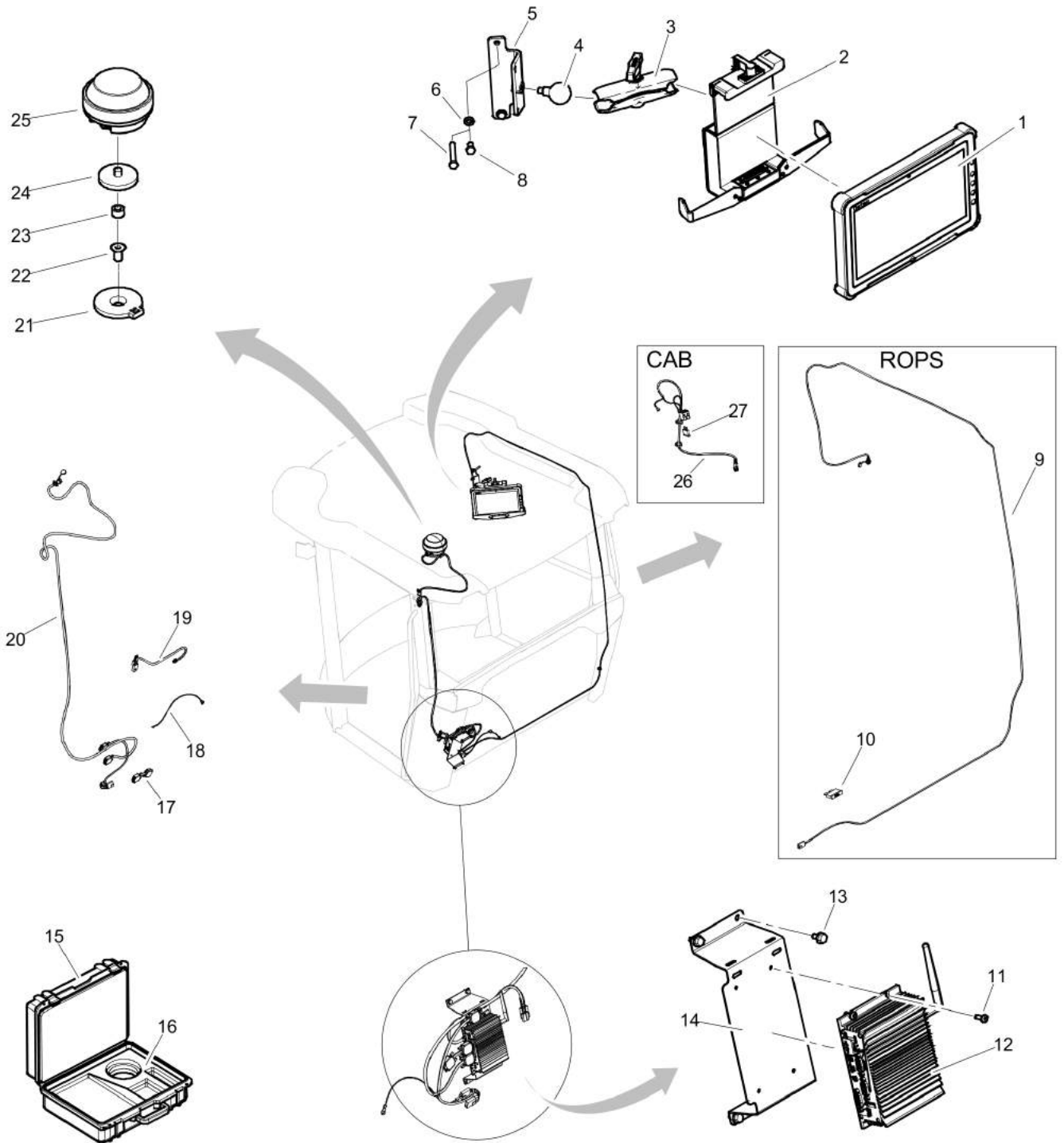
Item	Part No.	Name	Qty	L	SN INFO
1	4812013160	Socket shell	1		
2	4812013161	Male contact	3		

Optional equipment Compaction meter (DCM)



Item	Part No.	Name	Qty	L	SN INFO
1	4812123038	Plate	1		
2	4700904231	Washer, 13x24x2 mm 300 HV	2		
3	4700500051	Hex. screw	2		
4	4700923876	Clamp	1		
5	4812122777	DCM unit	1		
6	4700606003	Washer	4		
7	4812123171	Hexagon socket head cap screw	4		
8	4700904228	Washer 6,4x12x1,5	2		
9	4700500079	Screw M6-1x50 8,8	2		
10	4700923859	Cover plate	1		
11	4700500079	Screw M6-1x50 8,8	2		
12	4700904228	Washer 6,4x12x1,5	2		
13	4700791454	Cover plate	1		
14	4700791453	Pipe clamp block	1		
15	4700500035	Hexagon screw, M12x20H	2		
16	4700904231	Washer, 13x24x2 mm 300 HV	2		
17	4812116181	Bracket	1		
18	4700792441	Cable tie with holder	1		
19	4700313102	Cable ties	1		
20	4812122778	Power supply	1		
21	4700928200	Hexagon socket countersunk screw	4		
22	4700792210	Screw torx	2		
23	4700923976	Lock nut	4		
24	4812122780	Bracket	1		
25	4812116367	Cable entry frame and inserts	1		

Optional equipment Dyn@lyzer



Refer to Parts Online for the most up to date information. The printed information might be outdated.

Wed Apr 11 13:34:21 UTC 2018

Item	Part No.	Name	Qty	L	SN INFO
1	4812123488	Computer	1		
2	4812123489	Holder	1		
3	4812123728	Arm	1		
4	4812123727	Ball joint	1		
5	4812123747	Bracket	1		
6	4700904229	Washer, 8.4x 6x1.5 mm 300HV	2		
7	4700500026	Screw M8-1,25x60 mm 8.8	2		
8	4700500019	Hexagon screw	2		
9	4812123524	Wiring harness	1		
10	4700901226	Fuse 7.5A Brown	1		
11	4700792154	Tapping screw ST	4		
12	4812123490	Gateway	1		
13	4700541702	Screw M6x12	4		
14	4812123471	Bracket	1		
15	4812124090	Carrying case	1		
16	4812124091	Rubber insert	1		
17	4812123523	Wiring harness	1		
18	4812123681	Ground cable	1		
19	4812123533	Wiring harness	1		
20	4812123525	Wiring harness	1		
21	4812121818	Bracket	1		
22	4700513016	Hexagon socket countersunk screw M16	1		
23	4812123534	Thread insert	1		
24	4812113160	Bracket	1		
25	4812123491	Antenna	1		
26	4812123699	Wiring harness	1		
27	4700901226	Fuse 7.5A Brown	1		

Appendix B:Parts Index	4700313010	106
0147195898 484	4700313022	474
0248998073 46, 304	4700313023	374
0291112842 28	4700313033	116, 116
0570702503 202	4700313041	68, 322, 326, 332, 384, 390, 438, 466, 470, 480
0686901038 32	4700313068	322
4700114036 16, 76, 76	4700313102	128, 128, 506
4700116041 18, 84	4700330330	122
4700150008 52	4700330331	124, 204
4700151021 494, 498	4700330383	90
4700151023 28, 30, 46	4700334197	90
4700151044 488	4700340863	86
4700160080 128	4700343318	84
4700160105 18, 84	4700343744	82
4700160132 32, 160	4700343748	202
4700160157 184, 194, 198	4700346217	494
4700160191 202	4700349715	86
4700160231 172	4700350009	422, 430
4700160296 28	4700355608	46, 300
4700160344 16, 76	4700355889	54
4700160362 16, 76	4700357138	10, 12, 202
4700160372 32	4700357488	500
4700162004 100	4700358254	360
4700162008 202	4700358881	22, 22, 48, 54, 454
4700162015 128	4700359043	426
4700162017 82	4700359125	426
4700167023 18, 84	4700359819	426
4700202028 352, 352, 352, 352, 352, 352, 380, 412	4700359916	422
4700202057 46	4700359919	422
4700205027 106	4700359920	422
4700205112 90, 380, 384, 384	4700359955	82
4700230384 90	4700359998	348, 364
4700230515 90	4700370234	434
4700230516 90	4700372174	380
4700232039 202	4700372658	54
4700232118 202	4700372672	422
4700232160 124	4700372696	434
4700233304 202	4700372697	434
4700234927 122	4700372964	422
4700234928 122	4700372965	422
4700246069 90	4700374059	202
4700272372 456	4700374606	364
4700272373 456	4700374799	64
4700281327 484	4700374854	70
4700287295 206, 262, 290, 296	4700377507	388
4700288129 102	4700377508	388
4700313001 122, 128, 202	4700377518	434
4700313002 122, 128	4700377742	26, 456
4700313004 90, 106, 380, 384	4700377743	26
4700313006 124	4700377744	46
4700313009 106, 202	4700378657	110

4700378658	110	4700394318	272
4700378712	108	4700394536	54
4700378733	110	4700394645	130
4700378734	110	4700395323	108
4700378735	10, 12, 110	4700395352	322
4700378736	6, 8, 10, 12, 110	4700395447	422
4700379718	422	4700395785	116, 438
4700379728	426	4700395816	90, 396
4700380436	120	4700395841	388
4700381413	128	4700395843	388
4700381619	500	4700396036	484
4700381943	418	4700396043	330
4700382383	66	4700396044	330
4700382751	456	4700396047	330, 330
4700383024	102	4700396048	330
4700383425	472	4700396635	300
4700383705	360	4700396662	438
4700384114	76, 76	4700396670	454
4700384176	468	4700397604	452
4700384584	360	4700475064	52
4700384878	468	4700483684	156
4700385080	456	4700500003	330
4700385504	88	4700500004	122, 354, 396, 410
4700385505	88	4700500006	324
4700385599	438	4700500007	90
4700387545	454	4700500009	116
4700388449	456	4700500012	380, 386, 406
4700388737	438	4700500013	202, 304, 314, 316, 318, 320, 328, 374
4700389215	328	4700500015	314
4700389857	46	4700500019	82, 202, 292, 302, 326, 508
4700390365	48	4700500020	490
4700390561	434	4700500021	90, 98, 114, 120, 126, 278, 282, 292, 294, 322, 332, 422, 436, 464
4700390812	130	4700500022	70, 74, 156, 160, 202, 294, 346, 418, 428, 464
4700390860	314	4700500026	326, 508
4700390926	202	4700500027	282
4700390963	434	4700500028	28, 32, 50, 76, 156, 206, 290, 296, 430, 432
4700391031	28	4700500029	112, 430
4700391163	422, 424	4700500030	64, 98, 122
4700391299	102, 102	4700500031	46, 62, 68, 72, 124
4700391396	438	4700500035	340, 506
4700391420	438	4700500036	496
4700392321	336	4700500037	102, 172, 224, 246
4700392717	442	4700500040	466, 470
4700392719	442	4700500042	200, 296, 312
4700392839	422	4700500043	486, 500
4700392840	422	4700500046	240, 260, 264, 490
4700392930	438	4700500047	90, 110, 114
4700392965	436	4700500048	90, 106, 238, 334
4700393094	442	4700500051	506
4700393525	348, 364	4700500053	102, 108, 202, 278, 298, 434, 434, 490
4700393959	456		

4700500056	96, 348, 364	4700513027	342
4700500060	304, 438	4700516040	422
4700500075	58, 70, 302, 436	4700527002	82
4700500076	76	4700541702	508
4700500079	330, 340, 380, 506, 506	4700570002	304
4700500082	76, 96	4700570003	318, 466, 470
4700500090	240, 260, 292	4700570004	438
4700500091	178, 290	4700570005	46, 70, 74, 294, 298, 304, 332, 370, 474, 484
4700500093	90, 210	4700570006	484
4700500094	88	4700570007	70, 74, 496
4700500102	36, 38	4700570008	88
4700500107	96	4700573008	426
4700500109	26	4700586001	438, 452, 454
4700500115	442	4700586002	60, 302, 328, 330, 430, 436, 438, 442
4700500119	30	4700586003	74, 106, 110, 294, 300, 302, 332, 418, 422, 442, 464
4700500133	84	4700586018	40, 62, 156, 338
4700500134	88	4700586021	88, 96
4700500149	482	4700588176	456
4700500161	40, 178	4700601001	324, 354, 396, 410, 466, 470
4700500164	482	4700601003	352, 352, 374, 378
4700500189	336	4700603001	112
4700500191	156	4700604005	294
4700500194	160	4700606003	340, 506
4700500195	494	4700606004	442
4700500239	484	4700615050	70, 74
4700500249	294	4700615061	62
4700500284	26	4700624005	456
4700500295	130	4700624018	54
4700500502	60	4700629076	500
4700500503	128	4700630003	60
4700500505	106, 202, 438	4700630008	426
4700500509	62, 106	4700635061	500
4700502035	274	4700791120	204
4700502053	86	4700791171	406
4700508017	438	4700791172	356
4700508019	302, 418	4700791182	370, 370, 374
4700508022	470	4700791185	392
4700508023	304	4700791212	238, 294
4700508025	112, 434	4700791230	240, 260
4700508027	430	4700791231	208, 244, 282
4700508028	48	4700791274	456
4700508029	90, 422	4700791318	292, 294
4700508048	240, 260	4700791396	26
4700508053	484	4700791405	202
4700508063	202	4700791409	172, 282
4700508080	210, 224, 246	4700791414	192
4700508092	432	4700791421	452
4700508099	466, 470	4700791431	90
4700513012	46, 116	4700791453	340, 506
4700513016	508	4700791454	340, 506
4700513017	48	4700791460	102

4700791475	380	4700792397	332
4700791518	298	4700792408	200, 296
4700791524	422, 436	4700792410	336
4700791539	156, 178	4700792414	438
4700791572	444, 446, 448, 450	4700792422	304, 322
4700791588	438	4700792441	122, 298, 302, 304, 314, 322, 330, 340, 384, 390, 448, 450, 490, 506
4700791642	110, 456	4700792451	290
4700791666	46, 380	4700792454	290, 290
4700791700	224, 246	4700792465	184, 194, 198
4700791723	438	4700792499	90
4700791733	438	4700792500	262, 290, 490
4700791739	438	4700792505	392
4700791743	282	4700792515	28
4700791744	172	4700792516	32
4700791799	262, 290, 490	4700792519	322
4700791805	156	4700792520	322
4700791807	206, 262, 290, 296	4700792527	432, 444, 446, 448, 450
4700791823	172	4700792536	360
4700791828	156, 178	4700792537	304
4700791830	290	4700792539	422
4700791831	210	4700792589	360
4700791838	156, 178	4700792601	52
4700791840	156, 178	4700792602	304
4700791841	490	4700792609	478, 502, 502
4700791843	208, 244, 282	4700792611	494, 498
4700791859	292	4700792649	224, 246
4700791956	46	4700792667	332
4700791963	496	4700792678	426
4700791966	392	4700792686	90, 122, 480, 490
4700791970	416	4700792715	390
4700792068	202	4700792718	466, 470
4700792083	28, 264, 490	4700792772	456
4700792103	358	4700792776	310
4700792119	60	4700792797	484
4700792154	508	4700792809	202
4700792186	330	4700792823	224, 246
4700792210	304, 308, 340, 502, 502, 506	4700801251	494
4700792261	130, 130	4700813617	176
4700792264	202	4700900430	160
4700792276	202	4700900775	76
4700792295	128, 202	4700900926	138
4700792299	294	4700900994	264, 490
4700792309	314, 392	4700901145	348, 364
4700792310	304	4700901157	210, 224, 246
4700792322	100	4700901224	24
4700792335	210	4700901225	24, 304, 314, 502, 502
4700792336	208, 210, 224, 244, 246	4700901226	24, 304, 322, 508, 508
4700792338	202	4700901227	24, 304, 308, 314, 322, 392
4700792339	208, 238, 244, 282, 294	4700901228	24, 392
4700792359	490	4700901229	24
4700792394	28, 32		

4700901230	24	4700903906	184, 198
4700901385	164	4700903917	422
4700901386	164	4700903918	422
4700901727	176	4700903923	58
4700901744	232	4700903985	130, 456
4700901750	250	4700904004	210, 224, 246
4700901832	90	4700904005	184, 194, 198, 240, 260
4700901987	138, 146, 154	4700904037	24, 304, 344
4700902041	54	4700904038	24
4700902058	90	4700904039	24, 304
4700902062	488	4700904040	24
4700902166	26	4700904041	24
4700902282	348	4700904042	24, 304
4700902284	324	4700904097	460
4700902285	48, 58, 304	4700904108	74
4700902286	106, 156, 206, 262, 290, 296, 336, 434, 434, 490	4700904165	456, 474
4700902288	494	4700904206	116, 406
4700902379	358	4700904213	494
4700902520	422	4700904214	32, 422
4700902558	106	4700904228	46, 202, 302, 304, 314, 316, 318, 320, 328, 330, 340, 370, 374, 386, 390, 406, 430, 436, 438, 442, 466, 470, 506, 506
4700902620	228, 250	4700904229	82, 90, 98, 102, 108, 110, 114, 156, 160, 202, 278, 292, 294, 296, 298, 300, 302, 304, 312, 322, 326, 332, 336, 346, 380, 380, 418, 422, 426, 428, 430, 434, 436, 464, 474, 484, 490, 508
4700902641	232	4700904230	26, 40, 50, 62, 64, 68, 72, 76, 90, 106, 112, 124, 156, 156, 178, 206, 238, 282, 290, 296, 334, 338, 432, 482, 484, 486
4700902642	252	4700904231	28, 32, 70, 74, 76, 84, 102, 160, 240, 260, 340, 496, 496, 506, 506
4700902644	250	4700904232	76, 88, 498
4700902688	252	4700904233	26, 30, 130, 348, 364
4700902783	218, 232, 254	4700904260	494, 500
4700902804	438	4700904281	90, 116, 122, 304, 318, 330, 438, 452, 454
4700902866	22, 22, 58, 60	4700904294	24
4700902919	32	4700904299	470
4700903290	26, 348, 364	4700904311	320
4700903386	346	4700904312	314
4700903422	456	4700904346	202, 328
4700903423	456	4700904388	456
4700903424	456	4700904389	456
4700903425	360, 456	4700904390	456
4700903431	280	4700904391	456
4700903456	262, 290, 490	4700904496	224, 246
4700903459	456	4700904504	318, 392
4700903495	164	4700904556	102, 120, 204, 292, 294, 302, 434, 464, 464, 490
4700903496	162	4700904557	46, 64, 122, 156, 200, 274, 296, 356, 430
4700903586	46	4700904558	28, 36, 38, 42, 90, 96, 210, 482, 500
4700903590	394, 456	4700904563	374
4700903615	54	4700904567	28, 32
4700903633	364	4700904570	310
4700903640	302	4700904580	290
4700903641	22	4700904619	454
4700903662	442		
4700903670	380		
4700903703	106		
4700903714	128		
4700903741	24, 304, 314		

4700904623	262	4700927278	218, 218, 232, 232, 254, 254
4700904637	90, 210, 224, 240, 246, 260	4700927410	348, 364
4700904638	184, 194, 198, 202	4700927411	26
4700904640	70, 74, 102, 114, 126, 278, 282, 294, 336, 422, 426, 464	4700928200	506
4700904650	440	4700928347	444, 446, 448, 450
4700904653	324, 454	4700928381	386, 386
4700904698	58, 304, 314, 320, 342, 346, 438, 470	4700928441	98
4700904703	70, 74, 172, 184, 198, 224, 246, 444, 446, 448, 450	4700928467	314
4700904734	294, 484	4700928791	194
4700904774	160, 240, 260	4700929226	210, 224, 246
4700904835	456	4700929447	18, 84
4700904870	456	4700929587	358, 380
4700904872	206, 262, 290, 296, 490	4700929648	132, 140, 148
4700904895	456	4700929686	136
4700904911	316	4700935164	250
4700904985	122, 122, 128, 202	4700935165	250
4700904986	122, 122, 122	4700935170	250
4700904988	124	4700935171	250
4700908229	456	4700935210	256
4700908370	216	4700936020	138, 146, 154
4700908505	352, 394	4700936283	434
4700908506	394	4700936313	212, 226, 248
4700908507	394	4700936555	174
4700908561	374	4700936556	174
4700908564	374	4700936898	238
4700909129	358	4700937061	176
4700909344	174	4700937182	214
4700909535	434	4700937185	214
4700909536	434	4700937189	214
4700909596	134	4700937216	250
4700909609	144, 144, 152, 152	4700937240	232
4700909758	252	4700937258	162
4700910162	282	4700937260	164
4700921050	106	4700937264	168
4700921723	48, 414	4700937620	432
4700923008	106, 200, 202, 296	4700937621	432
4700923384	184, 194, 198	4700937892	432
4700923405	224, 246	4700938003	216
4700923859	340, 506	4700938030	164
4700923876	340, 506	4700938036	164
4700923976	58, 342, 346, 470, 506	4700938042	164
4700925208	26, 26, 30	4700938622	388
4700925519	102	4700938624	470
4700925802	122	4700938984	144, 152
4700926214	488	4700939009	134, 146, 154
4700926215	46	4700939013	138, 146, 154
4700926537	304, 466, 470	4700939014	146, 154
4700926736	84	4700939173	162
4700926781	138, 146, 154	4700939350	138, 144, 146, 152, 154
4700927233	52	4700939515	6, 8, 10, 12, 94
		4700939693	380

4700939826	438	4811000462	68
4700939980	164	4811000463	122
4700940451	22, 438	4811000529	326
4700940674	226	4812002474	222
4700940675	212	4812013038	502
4700945622	434	4812013040	502
4700945632	424	4812013160	504
4700945633	424	4812013161	504
4700945634	424	4812030096	12
4700945635	424	4812036305	190
4700945636	424	4812043666	186
4700945637	424	4812101615	78
4700945660	434	4812101616	78
4700945661	434	4812101617	80
4700947679	426	4812110366	30
4700947680	352, 378	4812110367	418
4700947690	102	4812110560	306
4700947696	76	4812110572	42
4700947697	498	4812110642	76, 76
4700947698	76	4812110644	76
4700950348	466	4812110884	322
4700950417	266, 492	4812110885	430
4700950463	136	4812110886	438
4700950464	136	4812110891	428
4700950465	136	4812110901	438
4700950514	136	4812110930	102
4700950515	138	4812111103	36, 40, 42
4700989151	204	4812111216	436
4700991658	456	4812111241	344
4700999014	312	4812111264	102
4811000074	160, 172, 272	4812111294	430
4811000077	332	4812111311	474
4811000086	182, 192, 196	4812111768	292
4811000150	90	4812111769	294
4811000163	322	4812111770	292
4811000176	298	4812111771	292
4811000178	298	4812111780	438
4811000202	202	4812111838	490
4811000229	192	4812111937	500
4811000260	490	4812111940	488
4811000261	290	4812111946	500
4811000265	416	4812111981	302
4811000268	416	4812112000	302
4811000269	416	4812112017	308
4811000292	326	4812112059	48
4811000316	330	4812112065	304
4811000344	456	4812112066	304
4811000345	456	4812112067	304
4811000429	322	4812112068	326, 490
4811000443	456	4812112070	304
4811000458	386, 466, 470	4812112071	330

4812112072	340	4812112656	116
4812112097	100, 102	4812112686	318
4812112169	208, 210, 212, 244	4812112688B	306
4812112172	208, 224	4812112691	318
4812112172A	226	4812112736	68, 72
4812112172B	226	4812112761	118
4812112172C	226	4812112774	336
4812112172D	226	4812112776	118
4812112172E	226	4812112777	118
4812112177	244, 246, 248	4812112791	340
4812112182	240, 242	4812112792	342
4812112185	260	4812112793	322
4812112203	198	4812112823	46
4812112204	184	4812112834	58
4812112206	194	4812112843	60
4812112229	328	4812112845	70, 74
4812112238	282, 286	4812112846	70, 74
4812112260	238	4812112884	60
4812112262	4, 10, 12, 238	4812112916	322
4812112268	350, 366, 408	4812112917	326
4812112281	86	4812112950	68
4812112282_1476	262	4812112952	68, 72
4812112301	364	4812113032	464
4812112302	364	4812113083	476
4812112308	156	4812113111	122
4812112325	332	4812113117	322
4812112362	490	4812113118	322
4812112374	322	4812113123	342
4812112393	130	4812113140	322
4812112402	64	4812113141	322
4812112403	60	4812113148	76
4812112404	58	4812113160	508
4812112405	66	4812113245	476
4812112413	84	4812113315	48
4812112417	326	4812113478	430
4812112419	326	4812113491	480
4812112421	128	4812113492	480
4812112460	336	4812113498	490
4812112479	126	4812113569	156
4812112508	264	4812113607	156
4812112530	490	4812113622	466
4812112535	26	4812113623	466, 470
4812112555	200, 294	4812113624	470
4812112556	202	4812113629	102
4812112639	118	4812113633	240, 260
4812112640	342	4812113640	118
4812112641	342	4812113641	118
4812112642	342	4812113678	278
4812112647	118	4812113679	278
4812112648	202	4812113687	178
4812112655	116	4812113708	102, 102

4812113786	442	4812114578	404
4812113820	102	4812114579	404
4812113832	86	4812114580	404
4812113875	438	4812114581	404
4812113878	102	4812114582	406
4812113879	102	4812114583	406
4812113934	496	4812114584	406
4812113935	496	4812114585	406
4812113936	496	4812114586	368
4812113941	206, 296	4812114587	368
4812113959	90	4812114588	368
4812113963	156	4812114593	370
4812113996	488	4812114598	374
4812114065	94	4812114599	374
4812114108	156	4812114600	374
4812114172	430	4812114601	374
4812114189	240, 260	4812114602	374
4812114194	416	4812114603	374
4812114205	202	4812114604	374
4812114212	112	4812114605	374
4812114213	438	4812114606	374
4812114214	438	4812114607	374
4812114245	476	4812114608	374
4812114246	476	4812114609	374
4812114257	474	4812114610	374
4812114311	466, 470	4812114611	374, 374, 374, 374, 374
4812114318	70, 74	4812114612	374
4812114340	76	4812114613	374
4812114344	20, 76	4812114619	314
4812114345	76	4812114655	314
4812114346	76	4812114656	322
4812114396	96	4812114720	338
4812114426	304	4812114756	54
4812114434	282	4812114803	438
4812114465	102	4812114813	116
4812114492	200, 292	4812114814	58
4812114563	354, 410	4812114828	60
4812114564	354, 396, 410	4812114829	60
4812114565	354, 396, 410	4812114830	60
4812114566	354, 396, 410	4812114831	60
4812114567	354, 386, 396, 398, 406, 410, 412	4812114873	322
4812114568	350, 408	4812114913	118
4812114569	356	4812114931	478
4812114570	398	4812114932	478
4812114571	398	4812114935	116
4812114572	398, 412	4812114949	116
4812114573	396	4812114984	330
4812114574	396	4812114990	30
4812114575	396	4812114991	32
4812114576	396	4812114993	32
4812114577	404	4812114995	32

4812114997	32	4812115201	370
4812114999	32	4812115202	368
4812115000	32	4812115203	370
4812115010	70, 74	4812115204	370
4812115013	466, 470	4812115205	370
4812115020	336	4812115206	370
4812115030	82	4812115207	370
4812115033	82	4812115208	370
4812115045	20, 76, 76	4812115209	370
4812115058	76	4812115210	370
4812115063	272	4812115211	370
4812115064	272	4812115212	370
4812115065	272	4812115213	370
4812115085	490	4812115214	370
4812115086	200	4812115215	370
4812115109	160	4812115216	370
4812115162	374	4812115217	370
4812115164	352, 378, 380	4812115218	370
4812115165	378	4812115219	372
4812115166	352	4812115220	372
4812115167	384	4812115223	372
4812115168	384	4812115224	402
4812115169	384	4812115225	372
4812115170	352, 378	4812115226	372
4812115171	352, 378	4812115228	380
4812115172	384	4812115229	380
4812115175	386	4812115230	380
4812115177	386	4812115294	46
4812115178	386	4812115303	182
4812115179	386	4812115304	182, 196
4812115180	386	4812115305	192
4812115181	390	4812115316	192
4812115182	390	4812115344	288
4812115183	390	4812115347	288
4812115184	392	4812115352	200
4812115185	392	4812115353	200
4812115186	358, 380	4812115357	200
4812115187	392	4812115358	200
4812115188	402	4812115366	208, 244
4812115189	402	4812115387	348, 364
4812115190	402	4812115392	28
4812115191	402	4812115398	28
4812115192	414	4812115422	32
4812115193	352	4812115423	32
4812115194	352	4812115424	32
4812115195	352	4812115425	32
4812115196	352	4812115427	32
4812115197	400	4812115463	294
4812115198	400	4812115467	28, 32
4812115199	402	4812115468	32
4812115200	370	4812115541	262

4812115542	262	4812116319	62
4812115572	288	4812116320	62
4812115663	102	4812116321	62
4812115668	102	4812116322	62
4812115669	102	4812116323	62
4812115673	42	4812116333	28
4812115681	290	4812116334	28
4812115682	290	4812116340	28
4812115707	326	4812116346	346
4812115728	76	4812116354	346
4812115790	156	4812116357	432
4812115793	156	4812116367	346, 506
4812115795	156	4812116587	346
4812115796	156	4812116588	346
4812115797	156	4812116589	240, 260
4812115835	480	4812116598	26
4812115836	90, 480	4812116600	26
4812115906	156	4812116604	130
4812115907	156	4812116605	130
4812115916	76	4812116606	130
4812115921	340	4812116607	130
4812115947	28	4812116622	336
4812115949	28	4812116639	76
4812115950	28	4812116645	202
4812115956	26	4812116651	52
4812115971	76, 80	4812116652	52
4812115972	76, 78	4812116653	52
4812115978	26	4812116680	32
4812116024	84	4812116690	76
4812116045	76	4812116691	114
4812116100	116	4812116702	28
4812116181	340, 506	4812116758	36, 40
4812116192	380	4812116781	224, 246
4812116193	380	4812116782	40
4812116194	380	4812116792	60
4812116195	380	4812116793	60
4812116197	380	4812116796	40
4812116198	380	4812116799	332
4812116199	370	4812116812	58
4812116201	380	4812116815	58
4812116230	172	4812116819	88
4812116231	278, 280	4812116821	28, 30, 46
4812116234	130	4812116834	116
4812116237	130, 140	4812116836	116
4812116238	130, 148	4812116861	302
4812116279	290	4812116862	58
4812116285	118	4812116867	348
4812116286	118	4812116884	348
4812116290	116	4812116986	416
4812116308	62	4812116991	304
4812116318	62	4812117048	46

4812117096	98	4812118381	484
4812117108	310	4812118414	90
4812117248	68, 128, 480	4812118432	96
4812117349	466, 470, 478	4812118444	96
4812117379	128	4812118467	298
4812117411	494	4812118486	106
4812117417	498	4812118487	106
4812117420	494	4812118488	90
4812117434	200	4812118494	102
4812117473	60	4812118596	482
4812117478	200	4812118604	98
4812117479	200	4812118625	326
4812117480	200	4812118670	116
4812117490	438	4812118680	112
4812117508	28	4812118681	90
4812117530	28	4812118684	200, 296
4812117533	128	4812118685	206, 296
4812117574	486	4812118697	438
4812117587	500	4812118709	288
4812117598	486	4812118710	288
4812117643	488	4812118711	288
4812117676	200	4812118712	288
4812117740	500	4812118713	288
4812117781	208, 244	4812118717	126
4812117782	208, 244	4812118720	276
4812117787	208, 244	4812118721	276
4812117839	58, 58, 58, 58, 102	4812118722	276
4812117860	110	4812118738	298
4812117867	32	4812118740	298
4812117922	444, 448	4812118754	438
4812117924	444, 446	4812118760	328
4812117925	448, 450	4812118761	328
4812117964	418	4812118767	128
4812118123	88	4812118814	82
4812118154	298	4812118816	446, 450
4812118176	94	4812118823	90
4812118192	76	4812118853	68
4812118203	98	4812118866	290
4812118247	108	4812118868	290
4812118259	80	4812118899	328
4812118275	116	4812118960	202
4812118295	96	4812118961	202
4812118296	96	4812118976	58
4812118297	96	4812118989	60
4812118298	96	4812118994	58, 60
4812118299	90	4812119107	328
4812118308	182, 196	4812119127	102
4812118312	436	4812119227	438
4812118378	482	4812119295	432
4812118379	484	4812119306	416
4812118380	484	4812119317	440

4812119327	416	4812121522	108
4812119489	480	4812121533	102
4812119788	426	4812121550	294
4812119807	28, 32	4812121589	290
4812119809	28, 32	4812121590	290
4812119953	480	4812121591	290
4812120070	362	4812121592	290
4812120086	96	4812121665	28, 32
4812120098	456	4812121666	486
4812120099	456	4812121689	122
4812120113	456	4812121691	122
4812120132	208, 244	4812121706	490
4812120135	208, 244	4812121818	508
4812120153	46	4812121848	334
4812120160	46	4812121866	100
4812120201	90	4812121886	500
4812120205	124	4812121914	48
4812120255	378	4812121925	100
4812120257	390	4812121947	264, 266
4812120312	304	4812121948	490, 492
4812120334	324	4812121990	490
4812120363	46	4812122216	156
4812120376	120	4812122611	334
4812120400	298	4812122777	506
4812120414	28, 32	4812122778	506
4812120468	336	4812122780	506
4812120469	336	4812122810	76
4812120545	348	4812123035	300
4812120593	130, 130	4812123038	506
4812120615	28	4812123171	506
4812120618	28	4812123471	508
4812120661	28, 30, 46	4812123488	508
4812120681	32	4812123489	508
4812120696	28	4812123490	508
4812120697	26	4812123491	508
4812120702	28	4812123523	508
4812120707	32	4812123524	508
4812120733	274	4812123525	508
4812120790	324	4812123533	508
4812120830	264, 268	4812123534	508
4812120840	282, 284	4812123681	508
4812121111	28	4812123683	30
4812121118	340	4812123699	508
4812121201	68	4812123727	508
4812121264	340	4812123728	508
4812121282	28, 32	4812123747	508
4812121286	74	4812123800	464
4812121331	436	4812124006	32
4812121396	28	4812124012	32
4812121397	28	4812124090	508
4812121398	28	4812124091	508

4812124199	502, 502	4812157360	142, 150
4812124238	320	4812157361	150
4812124239	320	4812157460	190
4812124256	502, 502	4812157482	234
4812126248	438	4812157551	250
4812126260	454	4812157552	250
4812126261	454	4812157654	284, 286
4812126698	434	4812157655	286
4812126777	332	4812157681	284, 286
4812126778	332	4812157682	284, 286
4812127124	208, 244	4812157683	286
4812127125	208, 244	4812157684	284, 286
4812127126	288, 288	4812157685	284, 286
4812127127	288, 288	4812157686	284, 286
4812127128	156	4812157687	284, 286
4812127129	156	4812157688	286
4812127130	208, 244	4812157758	268, 270
4812127131	208, 244	4812157759	268, 270
4812127132	196	4812157760	268, 270
4812127133	192	4812157761	268, 270
4812127134	156	4812157770	284, 286
4812127135	156	4812157771	284, 286
4812127819	460	4812157772	284, 286
4812127820	460	4812157773	284, 286
4812127908	460	4812157789	226, 248
4812127931	460	4812157790	228, 250
4812128222	460	4812157791	228, 250
4812141829	486	4812157792	228, 250
4812142385	502	4812157793	228, 250
4812142386	502	4812157794	252
4812155463	136	4812157796	218
4812156151	222, 256	4812157797	232
4812156152	236	4812157798	232, 254
4812156170	20	4812157799	218, 232, 254
4812156599	222, 236, 256	4812157852	234, 258
4812156756	236	4812157859	216, 252
4812156796	146, 154	4812157860	216
4812156954	144, 152	4812157861	218
4812157097	218, 252	4812157865	234
4812157151	216, 218, 230	4812158163	368
4812157155	222, 256	4812158164	368
4812157156	222, 256	4812158165	368
4812157169	190	4812158198	212, 226, 248
4812157170	166, 190, 190	4812158251	220
4812157184	166	4812158289	472
4812157185	166	4812158290	472
4812157198	230	4812158291	472
4812157253	236	4812158292	472
4812157275	18	4812158293	374
4812157358	142, 150	4812158367	432
4812157359	142, 150	4812158395	242

4812158481	466	4812159768	386
4812158482	466	4812159775	372
4812158483	180	4812159975	20
4812158484	180	4812159976	16
4812158485	380	4812159987	94
4812158489	132	4812159988	94
4812158490	134	4812159989	94
4812158491	134	4812160165	6
4812158492	134	4812160166	8, 14
4812158493	134	4812160167	10
4812158494	134	4812160168	12, 14
4812158495	136	4812160169	14
4812158496	138	4812160294	166
4812158497	138	4812160388	372
4812158569	140, 148	4812160598	468
4812158570	146, 154	4812160654	284, 286
4812158571	146, 154	4812160664	238
4812158572	152	4812160666	374
4812158573	142, 144	4812160767	472
4812158596	174	4812160771	386
4812158597	174	4812160772	386
4812158599	176	4812160877	372, 372, 372, 372
4812158653	174	4812161061	170
4812158655	176	4812161098	370
4812158656	176	4812161099	370, 404
4812158657	166	4812161155	372, 372
4812158752	186	4812161156	372, 372
4812158753	186	4812161158	374
4812158754	188	4812161165	352, 380
4812158755	188	4812161251	372
4812158756	190	4812161276	418
4812158757	190	4812161298	470
4812158766	162	4812161352	370, 380, 396, 396, 398
4812158770	218, 232, 254	4812161353	370
4812158771	234	4812161370	390
4812158773	214	4812161371	400
4812158774	214	4812161396	22
4812158775	214	4812161484	80
4812158776	218	4812161485	80
4812158783	80	4812161486	80
4812158859	402	4812161487	80
4812158992	386	4812161488	78, 80
4812159183	370	4812161489	78, 80
4812159184	368, 368, 368	4812161490	78, 80
4812159195	6, 8, 10, 12, 94	4812161491	78, 80
4812159352	4, 14	4812161492	78
4812159376	6, 8, 10, 12, 94	4812161493	78
4812159377	10, 12, 94	4812161494	78
4812159558	22, 370	4812161495	78
4812159763	280	4812161855	8, 12
4812159767	386	4812161879	4, 12

4812162155	134
4812162156	134
4812162158	134
4812162159	134
4812162160	134
4812162280	134
4812162281	134
D967502040	256
D967536871	222, 256

