

CA6000

Spare parts list

Vibratory roller

CA6000D/PD s/n 10000135x0A012734 -
Engine: Deutz TDC 2012 L06 2V (IIIA/T3)



General information

Use only authorized parts. Any damage or malfunction caused by the use of unauthorized parts is not covered by Warranty or Product Liability. Any unauthorized use or copying of the contents or any part thereof is prohibited. This applies in particular to trademarks, model denominations, part numbers, and drawings.

Instructions for use

This spare parts list contains no safety regulations and is merely intended to assist in the ordering of spare parts.

For information about operating, servicing, or repairing, the relevant Safety and operating instructions must be consulted at all costs.

Please observe the safety instructions listed in the relevant Safety and operating instructions!

Contents

| | |
|--|-------------|
| CA6000D/PD (III/T3) SN 10000135x 0A012734 - | 1 |
| Service kits | |
| 4812156993 Service kit, 50h Plus | 3 |
| 4812156994 Service kit, 500h | 5 |
| 4812157363 Service kit, 500h Plus | 7 |
| 4812156995 Service kit, 1000h | 9 |
| 4812157277 Service kit, 1000h Plus | 11 |
| 4812157254 Start up kit | 13 |
| 4812158053 Service kit, 2000h | 15 |
| 4812157255 Service kit, 2000h Plus | 17 |
| Repair kits | |
| Eccentric shaft kit | 19 |
| 4812157275 Drum rotation kit | 21 |
| 4812157276 Shock absorber kit, drum | 23 |
| General - Keys and others | |
| Fuses | 25 |
| Keys | 27 |
| Frame | |
| Frame, front | 29 |
| 4812117507 Steering hitch, cpl | 31 |
| Scrapers, option | |
| Scrapers, option | 33 |
| Scraper module Hardox | 35 |
| Scraper module Rubber | 37 |
| Scraper assy | 39 |
| Scraper module PD Hardox | 41 |
| Scraper module PD Heavy duty | 43 |
| Scraper mount | 45 |
| Frame, rear | 47 |
| Frame rear module | 49 |
| Cover assembly | 51 |
| Step module | 53 |
| Step assy | 55 |
| Tool box module, Option | 57 |
| Engine structure | 59 |
| Engine hood module | 61 |
| Engine hood mount | 63 |
| 4812118994 Lock handle, cpl | 65 |
| Fender module | 67 |
| Hinge module | 69 |
| Gas spring module | 71 |
| Safety link module | 73 |
| Drum | |
| Drum, cpl | 75 |
| 4812111831 Drum gear, cpl | 78 |
| Drum cartridges (D-version) | |
| 4812157393 Drum cartridge, vibration side (D/PD version) | 81 |
| 4812157394 Drum cartridge, vibration side (VM/VP 3-class) | 83 |
| 4812157784 Drum cartridge with shaft nut, vibration side (D/PD version) | 85 |
| 4812157785 Drum cartridge with shaft nut, vibration side (VM/VP 3-class) | 87 |
| 4812157390 Drum cartridge, drive side (D/PD version) | 89 |
| 4812157391 Drum cartridge, drive side (VM/VP 3-class) | 91 |
| Drum cartridges (PD-version) | |
| 4812157393 Drum cartridge, vibration side (D/PD version) | See page 81 |
| 4812157784 Drum cartridge with shaft nut, vibration side (D/PD version) | See page 85 |

| | |
|--|--------------|
| 4812157390 Drum cartridge, drive side (D/PD version) | See page 89 |
| Tooth wheel module | 93 |
| Vibration motor adapter | 95 |
| Engine | |
| Engine | 97 |
| Diesel engine | 99 |
| Belt guard module | 101 |
| Bracket module | 103 |
| Air cleaner | 105 |
| Air cleaner module | 107 |
| Cooling system | 109 |
| Cooler stand module | 111 |
| Hose kit | 113 |
| Hoses | 115 |
| Fuel system | |
| Fuel system | 117 |
| Fuel tank module | 119 |
| Fuel tank | 121 |
| Brackets assy | 123 |
| Hoses | 125 |
| Draining module | 127 |
| Exhaust system | 129 |
| Expansion tank module | 131 |
| Transmission | |
| Rear axle and wheels | 133 |
| 4812111833 Rear axle No-Spin | |
| 4812111833 Rear axle No-Spin | 135 |
| Differential with no-spin | 137 |
| Differential housing and brakes | 139 |
| Planet gear | 141 |
| 4812111832 Rear axle Limited-Slip | |
| 4812111832 Rear axle Limited-Slip | 143 |
| Differential | 145 |
| Central housing and brakes | 147 |
| Hub reduction | 149 |
| Hydraulic systems | |
| Hydraulic system, drum | |
| Hydraulic system, drum | 151 |
| Hydraulic motor | 153 |
| 4812116969 Hydraulic motor | |
| 4812116969 Hydraulic motor | 155 |
| Rotary group | 157 |
| 4812157180 Flush & boost pressure valve | 159 |
| Lock ring | 161 |
| Hydraulic motor | 163 |
| 4812112200 Hydraulic motor | |
| 4812112200 Hydraulic motor | 165 |
| Loop flushing | 169 |
| Hydraulic system, drum Anti-spin option | |
| Hydraulic system, drum Anti-spin option | 171 |
| Hydraulic motor | See page 153 |
| 4812116969 Hydraulic motor | |
| 4812116969 Hydraulic motor | See page 155 |

| | |
|---|--------------|
| Rotary group | See page 157 |
| 4812157180 Flush & boost pressure valve | See page 159 |
| Lock ring | See page 161 |
| Hydraulic motor | 173 |
| 4812112202 Drum motor | |
| 4812112202 Drum motor | 175 |
| Drum motor. Front section | 177 |
| Loop flushing | 179 |
| Drum motor. Rear section | 181 |
| Hydraulic system, rear axle | |
| Hydraulic system, rear axle | 183 |
| Hydraulic motor | 185 |
| 4812112211 Rear axle motor | |
| 4812112211 Rear axle motor | 187 |
| Loop flusing | 191 |
| Hose holder | 193 |
| Hydraulic system, rear axle Anti-spin option | |
| Hydraulic system, rear axle Anti-spin option | 195 |
| Hydraulic motor | 197 |
| 4812112213 Rear axle motor | |
| 4812112213 Rear axle motor | 199 |
| Front section | 201 |
| Loop flushing | 203 |
| Rear section | 205 |
| Hose holder | See page 193 |
| Hydraulic system, oil tank | |
| Hydraulic system, oil tank | 207 |
| Hydraulic oil tank assembly | 209 |
| Hydraulic valve module | 213 |
| 4812112238 Hydraulic valve | 215 |
| Hose holder assy kit | 217 |
| Fan module, front | 219 |
| 4812117797 Hydraulic motor | 221 |
| Fan module, rear | 223 |
| 4812117796 Hydraulic motor | 225 |
| Hydraulic system, engine room | |
| Hydraulic system, engine room | 227 |
| Hydraulic pump module | 229 |
| 4812112171 Hydraulic pump | |
| 4812112171 Hydraulic pump | 231 |
| End cap, cpl | 235 |
| Hydraulic pump module | 237 |
| 4812112175 Hydraulic pump | |
| 4812112175 Hydraulic pump | 239 |
| Rotary group | 241 |
| Hydraulic adjustment | 243 |
| 4/3 Pilot valve | 245 |
| Hydraulic oil filter assy | 247 |
| Hydraulic pump module | 249 |
| 4812118150 Hydraulic pump, steering | 251 |
| Hydraulic system, engine room Adjustable frequency, Eco opti | |
| Hydraulic system, engine room Adjustable frequency, Eco opti | 253 |
| Hydraulic pump module | See page 229 |

4812112171 Hydraulic pump

| | |
|---------------------------|--------------|
| 4812112171 Hydraulic pump | See page 231 |
| End cap, cpl | See page 235 |
| Hydraulic pump | 255 |

4812112181 Hydraulic pump

| | |
|-------------------------------------|--------------|
| 4812112181 Hydraulic pump | 257 |
| Rotary group | 259 |
| Control hydraulic | 261 |
| Sub plate | 263 |
| Cover with accessories | 265 |
| Control module | 267 |
| Hydraulic oil filter assy | See page 247 |
| Hydraulic pump module | 269 |
| 4812118151 Hydraulic pump | 271 |
| Hydraulic pump module | See page 249 |
| 4812118150 Hydraulic pump, steering | See page 251 |

Hydraulic system, frame rear

| | |
|------------------------------|-----|
| Hydraulic system, frame rear | 273 |
| Connector kit | 275 |
| Connector kit | 277 |

Hydraulic system, steering

| | |
|-------------------------------|-----|
| Hydraulic system, steering | 279 |
| Hydraulic cylinder | 281 |
| 4812121947 Hydraulic cylinder | 283 |
| 4812120830 Hydraulic cylinder | 285 |
| Steering valve module | 287 |
| Hydraulic hoses, steering | 289 |

Emergency steering option

| | |
|---|-----|
| Emergency steering option | 291 |
| 4812112188 Hydraulic pump Emergency steering unit | 293 |
| 4812112236 Hydraulic valve | 295 |

Electrical equipment

Electric cables, power supply, 1-pole

| | |
|---------------------------------------|-----|
| Electric cables, power supply, 1-pole | 297 |
| Battery module | 299 |
| Battery disconnecter module | 301 |

Electric cables, power supply, 2-pole, option

| | |
|---|--------------|
| Electric cables, power supply, 2-pole, option | 303 |
| Battery module | See page 299 |
| Battery disconnecter, 2-pole | 305 |

Electric cables, engine ECU, horn, back-up alarm

| | |
|--|-----|
| Electric cables, engine ECU, horn, back-up alarm | 307 |
| ECU, inclination sensor, power converter | 309 |
| Standard ECU assembly | 311 |
| Power converter module | 313 |
| Inclination sensor module | 315 |

ECU, inclination sensor, power converter

| | |
|----------------------|-----|
| Horn module | 317 |
| Back-up alarm module | 319 |
| Back-up alarm module | 321 |
| Bracket module | 323 |

Cable harness kit Power supply cab

| | |
|------------------------------------|-----|
| Cable harness kit Power supply cab | 325 |
|------------------------------------|-----|

| | |
|--|-----|
| Driving & side direction lights, number plate light, option | |
| Driving & side direction lights, number plate light, option | 327 |
| Steering column switch module | 329 |
| Cable harness kit | 331 |
| Registration plate light module | 333 |
| Registration plate light | 335 |
| Holder, Registration plate light | 337 |
| Reversing light, option | |
| Reversing light module | 339 |
| DCA/GPS equipment module, option | |
| DCA/GPS equipment module, option | 341 |
| Holder | 343 |
| GPS equipment module | 345 |
| GPS equipment assy | 347 |
| Computer | 349 |
| Tachograph, option | |
| Tachograph, option | 351 |
| Holder assy | 353 |
| Power supply module | 355 |
| Speed sensor, frequency sensor, option | |
| Speed sensor, frequency sensor, option | 357 |
| Pulse sensor module | 359 |
| Pre-heater installation, option | |
| Pre-heater installation, option | 361 |
| Rotating beacon, working light, option | |
| Rotating beacon, working light, option | 363 |
| Rotating beacon module | 365 |
| Bracket, Rotating beacon | 367 |
| Working light module H3 | 369 |
| Cable harness, emergency steering, option | |
| Cable harness, emergency steering, option | 371 |
| Displacement shift | |
| Displacement shift | 373 |
| Compaction meter, option | |
| Compaction meter, option | 375 |
| Power supply | 377 |
| External emergency stop, option | |
| External emergency stop, option | 379 |
| Drivers platform | |
| Platform, rops | |
| Platform, rops | 381 |
| 4812120544 Platform with 4-post ROPS | |
| 4812120544 Platform with 4-post ROPS | 383 |
| Basic kit Rops, roof, front handrail | 385 |
| Rear cover | 387 |
| Handrail | 389 |
| Cab, basic kit | 391 |
| Manual box | 393 |
| Decals basic kit | 395 |

Cab symmetric module

| | |
|----------------------|-----|
| Cab symmetric module | 397 |
|----------------------|-----|

4812119364 Cab, cpl Comfort

| | |
|--------------------------------------|--------------|
| 4812119364 Cab, cpl Comfort | 399 |
| Screens | 401 |
| 4812115202 Cab door, cpl | 403 |
| 4812115200 Sliding screen, left hand | 405 |
| Windshield wiper | 407 |
| Roof | 410 |
| Heater assy | 413 |
| Hose kit heater | 416 |
| Cab cable harness | 419 |
| Cab Interior | 421 |
| Heater controls | 423 |
| Cab, electrical equipment | 425 |
| Emergency hammer, hook | 427 |
| Cab, rear cover | 429 |
| Cab, front cover | 431 |
| Floor mat | 433 |
| Step light, wiper switch | 435 |
| Cab, basic kit | See page 391 |
| Air channel | 437 |
| Sun-blind, inner light | 439 |

4812119365 Cab, cpl Basic

| | |
|--------------------------------------|--------------|
| 4812119365 Cab, cpl Basic | 441 |
| Screens | See page 401 |
| 4812115202 Cab door, cpl | See page 403 |
| 4812115200 Sliding screen, left hand | See page 405 |
| Windshield wiper | See page 407 |
| Hose kit heater | See page 416 |
| Roof | See page 410 |
| Heater assy | See page 413 |
| Cab cable harness | See page 419 |
| Cab, electrical equipment | See page 425 |
| Cab Interior | See page 421 |
| Heater controls | See page 423 |
| Emergency hammer, hook | See page 427 |
| Cab, rear cover | 443 |
| Cab, front cover | 445 |
| Wiper switch, front | 447 |
| Cab, basic kit | See page 391 |
| Manual box | See page 393 |
| Decals basic kit | See page 395 |
| Car stereo module, option | 449 |
| Rear view mirror | 451 |
| Rear view mirror module | 453 |
| Hose assy kit, heater | 455 |

Drivers seat

| | |
|-------------------------------------|-----|
| Drivers seat | 457 |
| Seat frame structure | 459 |
| 4700391163 Steering column | 461 |
| Seat frame adapter module, rotating | 463 |
| Seat frame adapter module, fixed | 465 |
| Floor cassette module | 467 |
| Seat, fabric suspended | 469 |
| Seat, galon suspended | 471 |

Seat belts

| | |
|--------------|-----|
| Seat belt 2" | 473 |
| Seat belt 3" | 475 |

| | |
|--------------------------------|-----|
| Seat belt 2" with reminder | 477 |
| Seat belt 3" with reminder | 479 |
| Control module | 481 |
| Forward reverse control module | 483 |
| Display unit | 485 |
| Reading light | 487 |
| Control panel cover | 489 |

Decals

| | |
|--------|-----|
| Decals | 491 |
| Decals | 494 |

Optional equipment

Air conditioning

| | |
|-------------------------------|-----|
| Air conditioning | 497 |
| Drying filter module | 499 |
| 4812114257 Drying filter assy | 501 |
| Condensor assembly | 503 |
| ACC module | 505 |
| 4812113624 ACC kit | 507 |
| AC module | 509 |
| 4812113623 Evaporator, cpl | 511 |
| Hose assy kit for AC | 513 |
| 4812114973 Compressor kit | 515 |
| Compressor module AC | 517 |
| Hose assy kit for AC | 519 |

Level sensor module, option

| | |
|-----------------------------|-----|
| Level sensor module, option | 521 |
|-----------------------------|-----|

Fire extinguisher/First Aid Cushion

| | |
|-------------------------------------|-----|
| Fire extinguisher/First Aid Cushion | 523 |
| Fire extinguisher | 525 |

SMV-sign

| | |
|----------|-----|
| SMV-sign | 527 |
|----------|-----|

Cooling box module

| | |
|--------------------|-----|
| Cooling box module | 529 |
|--------------------|-----|

Lunch box

| | |
|-----------|-----|
| Lunch box | 531 |
|-----------|-----|

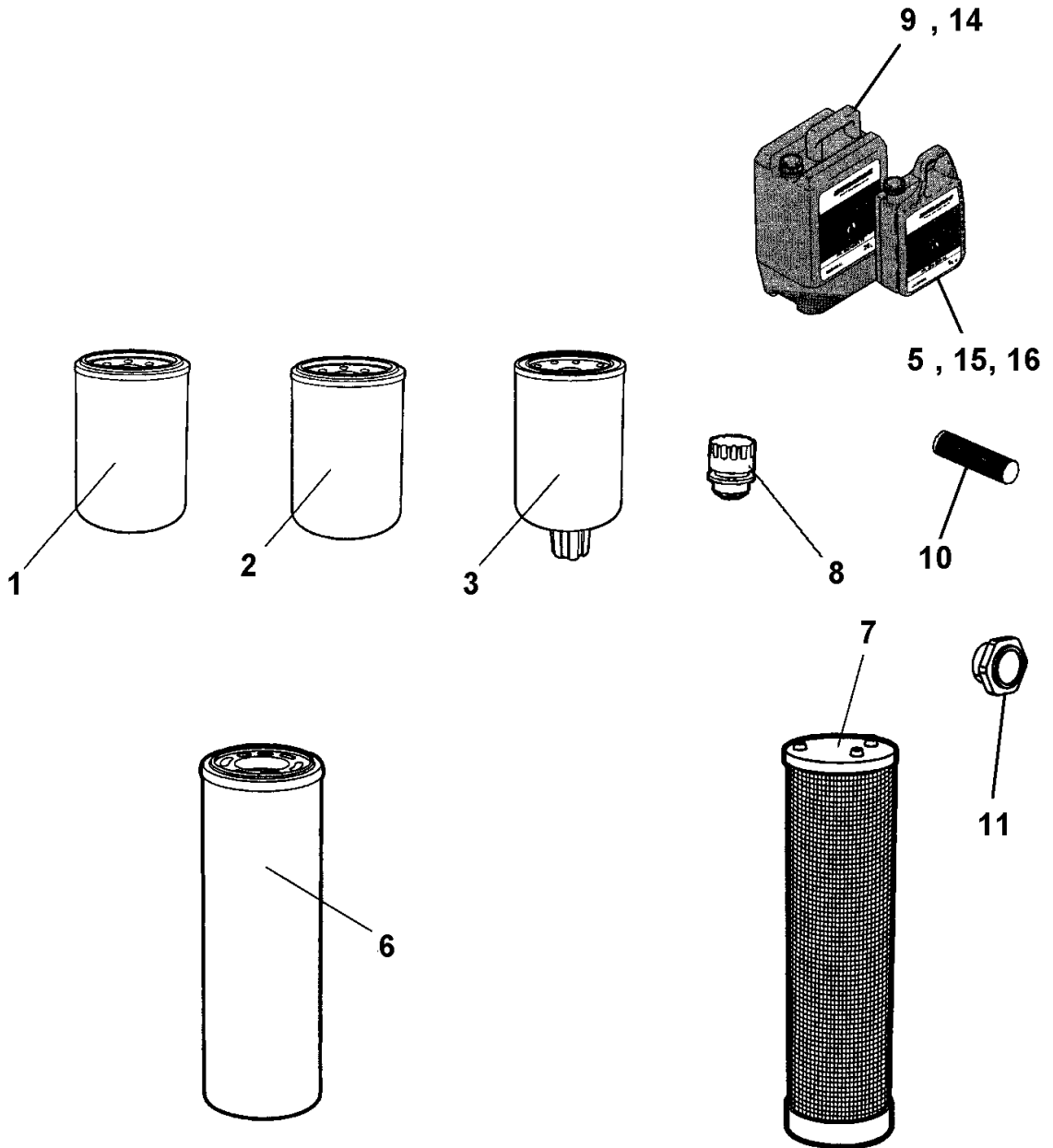
| | |
|------------------------|-----|
| Appendix B:Parts Index | 533 |
|------------------------|-----|

CA6000D/PD (IIIA/T3) SN 10000135x 0A012734 -



| Item | Part No. | Name | Qty | L | SN INFO |
|------|----------|--------------------|-----|---|---------|
| 1 | - | Service kits | 1 | | |
| 2 | - | Repair kits | 1 | | |
| 10 | - | Frame | 1 | | |
| 20 | - | Drum | 1 | | |
| 30 | - | Engine | 1 | | |
| 40 | - | Transmission | 1 | | |
| 50 | - | Hydraulic systems | 1 | | |
| 60 | - | Electric equipment | 1 | | |
| 70 | - | Drivers platform | 1 | | |
| 80 | - | Decals | 1 | | |
| 91 | - | Optional equipment | 1 | | |

Service kits 4812156993 Service kit, 50h Plus

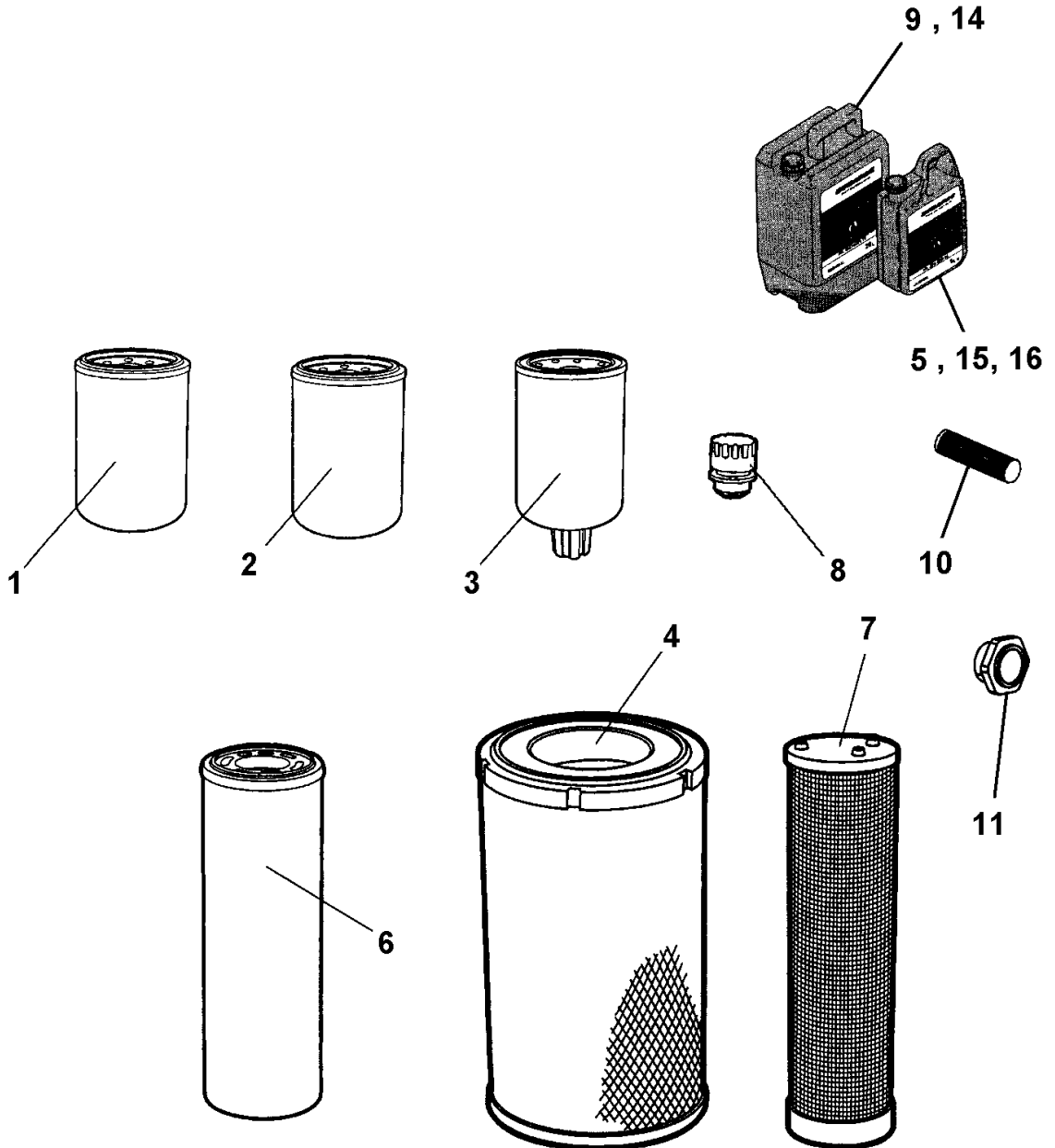


Refer to Parts Online for the most up to date information. The printed information might be outdated.

Fri Dec 11 01:16:55 MST 2015

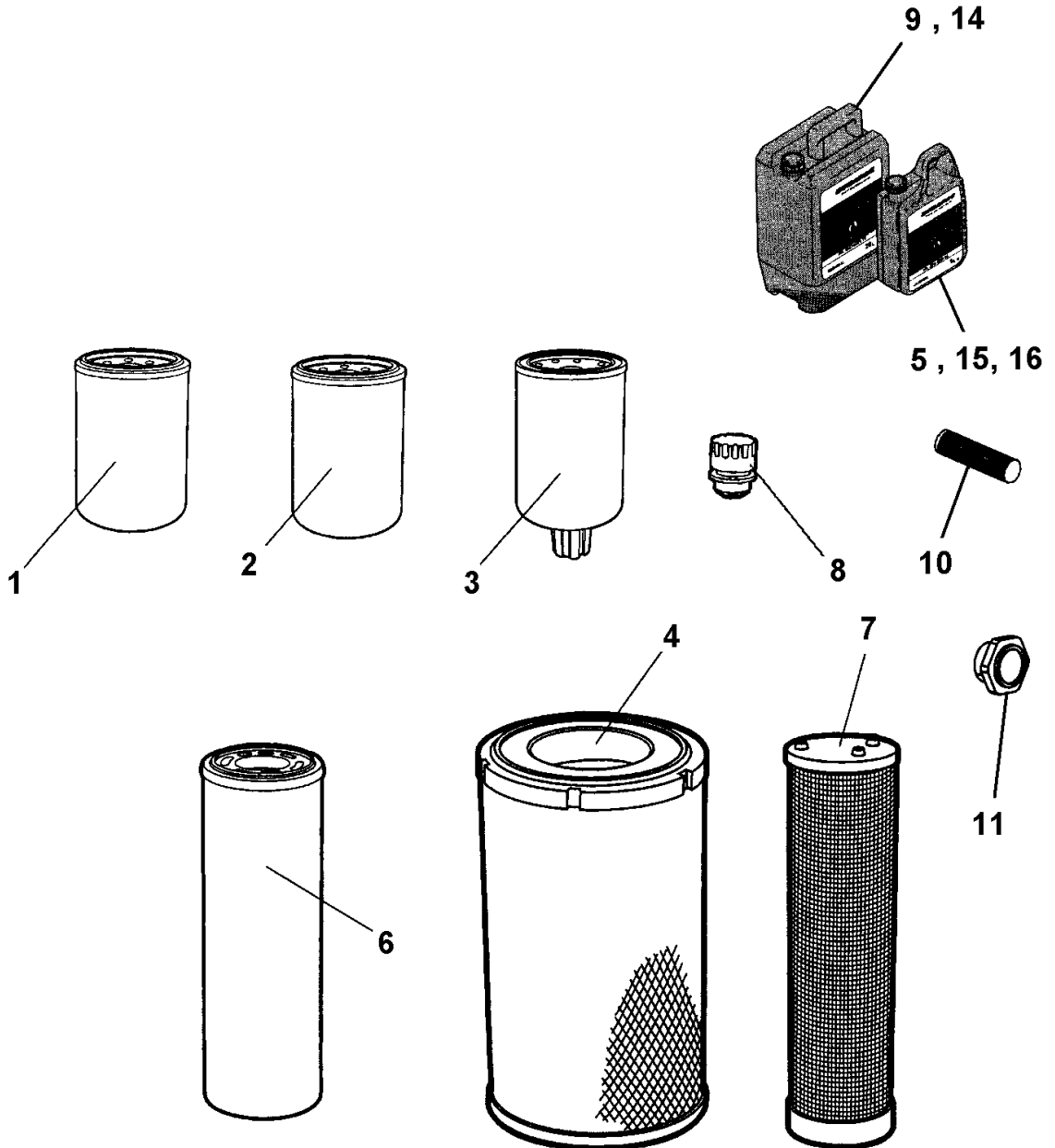
| Item | Part No. | Name | Qty | L | SN INFO |
|------|------------|--------------------------------|-----|---|---------|
| - | 4812156993 | Service kit, 50h Plus | | | |
| 6 | 4812112262 | Hydraulic oil filter element | 1 | | |
| 15 | 4812156456 | Dynapac drum oil 1000 5 liters | 1 | | |
| 16 | 4812008274 | AC Fluid Gearbox 100 / 5 ltr. | 1 | | |

Service kits 4812156994 Service kit, 500h



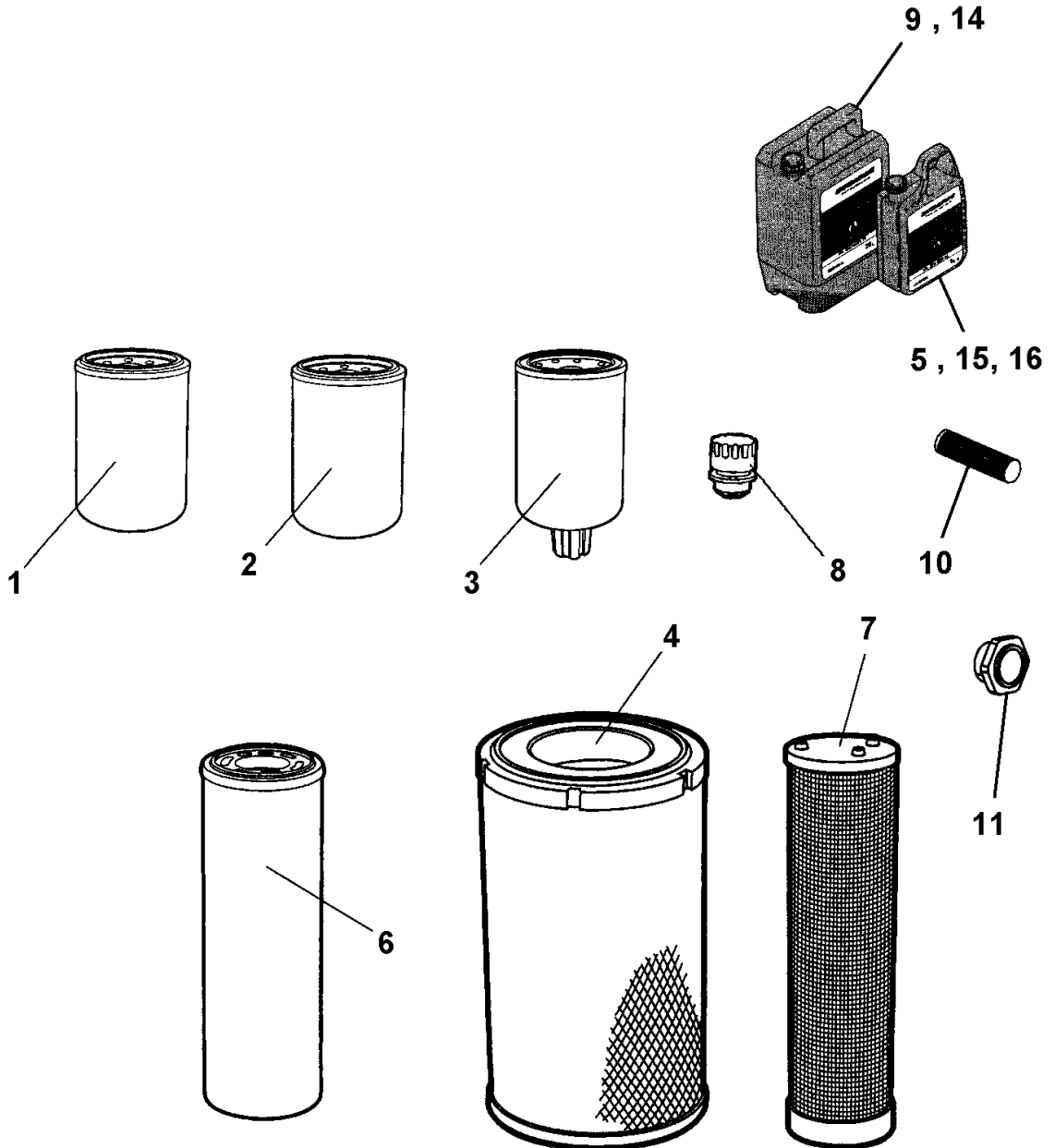
| Item | Part No. | Name | Qty | L | SN INFO |
|------|------------|---------------------------------|-----|---|---------|
| - | 4812156994 | Service kit, 500h | | | |
| 1 | 4700903942 | Oil filter | 1 | | |
| 2 | 4700950568 | Fuel filter | 2 | | |
| 3 | 4812031626 | Pre-fuel filter, filter element | 1 | | |
| 4 | 4700394688 | Air filter element, main | 1 | | |

Service kits 4812157363 Service kit, 500h Plus



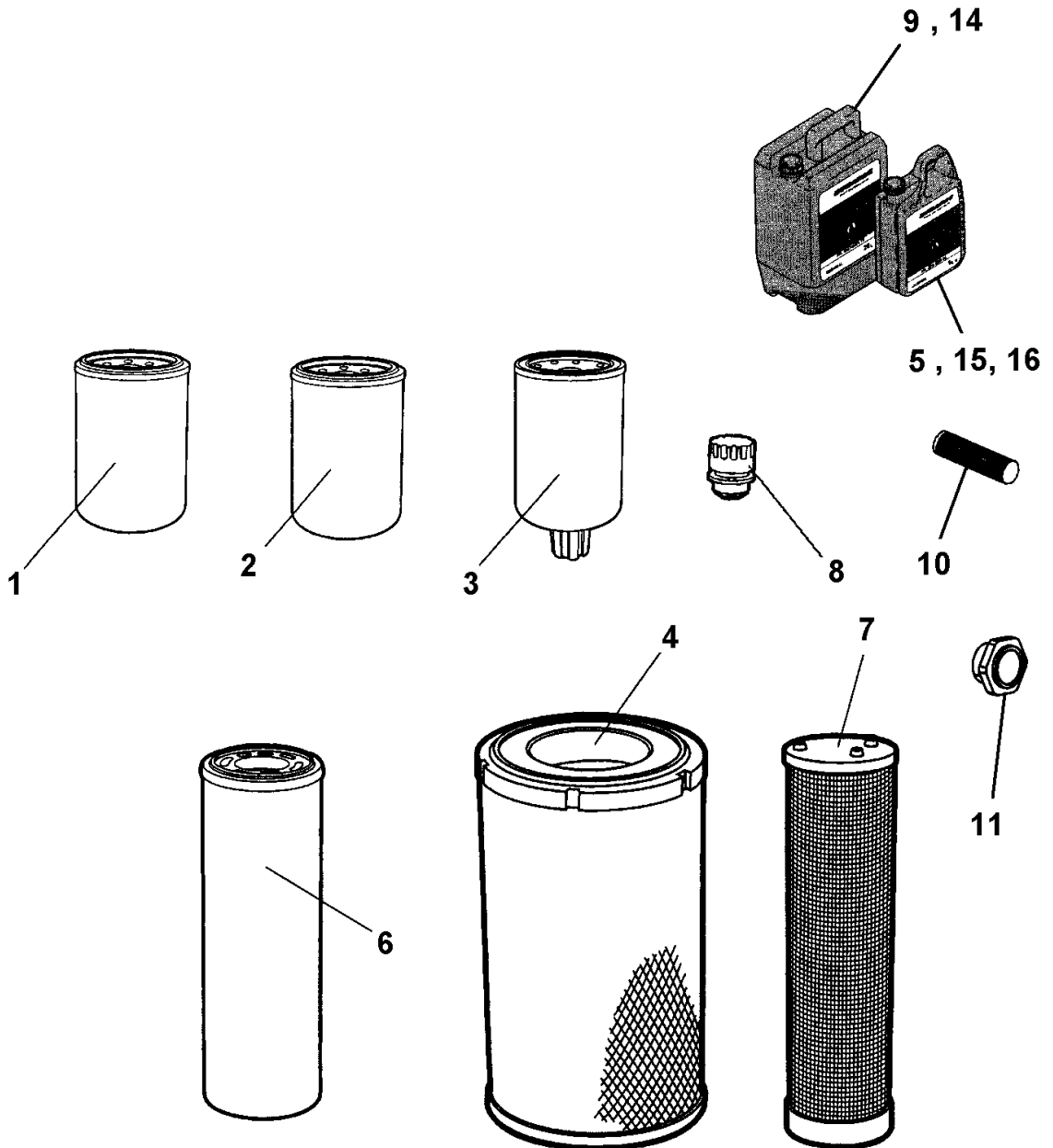
| Item | Part No. | Name | Qty | L | SN INFO |
|------|------------|---------------------------------|-----|---|---------|
| - | 4812157363 | Service kit, 500h Plus | | | |
| 1 | 4700903942 | Oil filter | 1 | | |
| 2 | 4700950568 | Fuel filter | 2 | | |
| 3 | 4812031626 | Pre-fuel filter, filter element | 1 | | |
| 4 | 4700394688 | Air filter element, main | 1 | | |
| 5 | 5580020624 | Engine oil 100 / 5 ltr. | 3 | | |

Service kits 4812156995 Service kit, 1000h



| Item | Part No. | Name | Qty | L | SN INFO |
|------|------------|---------------------------------|-----|---|---------|
| - | 4812156995 | Service kit, 1000h | | | |
| 1 | 4700903942 | Oil filter | 1 | | |
| 2 | 4700950568 | Fuel filter | 2 | | |
| 3 | 4812031626 | Pre-fuel filter, filter element | 1 | | |
| 4 | 4700394688 | Air filter element, main | 1 | | |
| 6 | 4812112262 | Hydraulic oil filter element | 1 | | |
| 7 | 4700394689 | Air filter element, safety | 1 | | |
| 8 | 4700357138 | Ventilating filter | 1 | | |

Service kits 4812157277 Service kit, 1000h Plus



Refer to Parts Online for the most up to date information. The printed information might be outdated.

Fri Dec 11 01:16:56 MST 2015

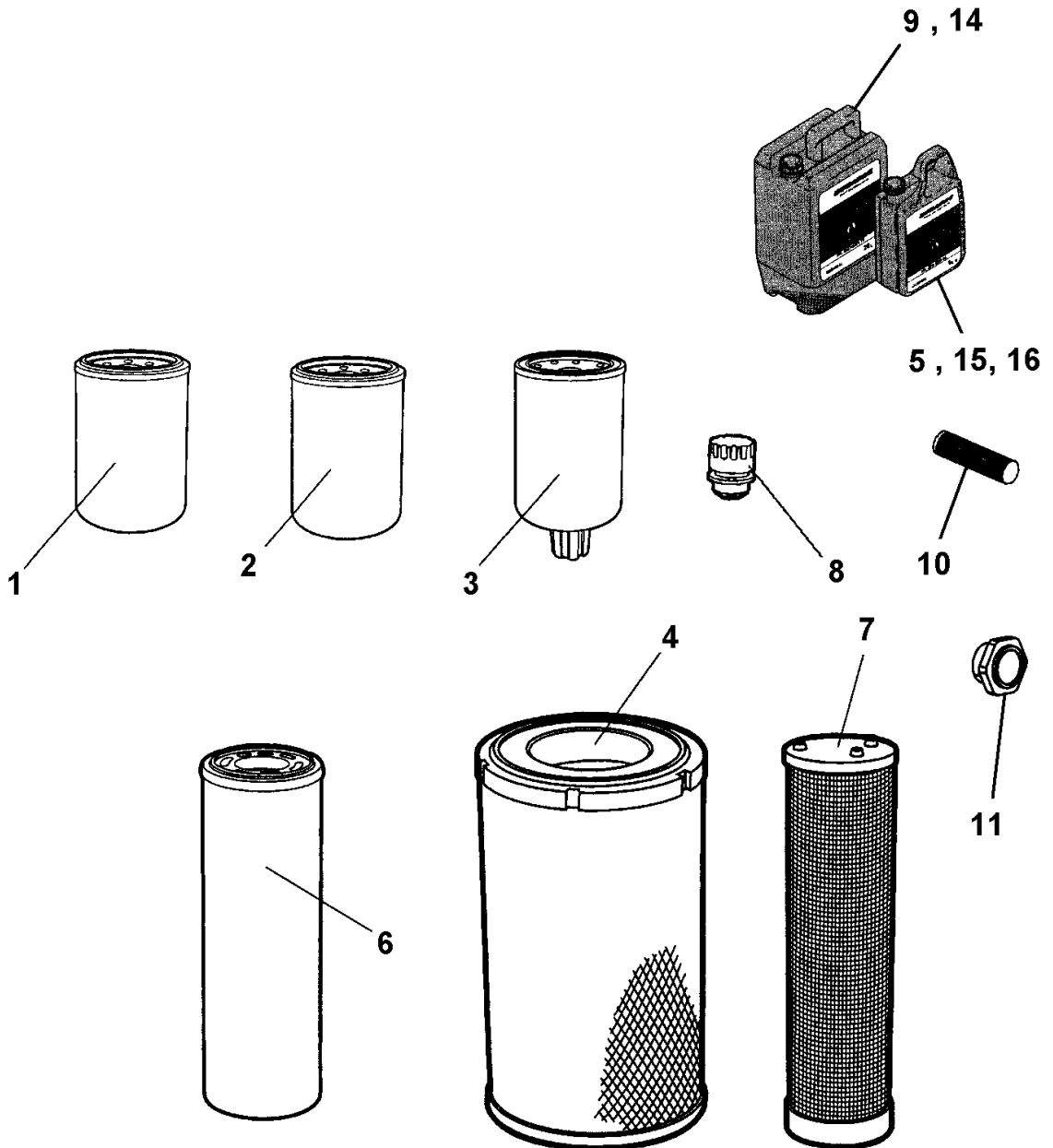
| Item | Part No. | Name | Qty | L | SN INFO |
|------|------------|---------------------------------|-----|---|---------|
| - | 4812157277 | Service kit, 1000h Plus | | | |
| 1 | 4700903942 | Oil filter | 1 | | |
| 2 | 4700950568 | Fuel filter | 2 | | |
| 3 | 4812031626 | Pre-fuel filter, filter element | 1 | | |
| 4 | 4700394688 | Air filter element, main | 1 | | |
| 5 | 5580020624 | Engine oil 100 / 5 ltr. | 3 | | |
| 6 | 4812112262 | Hydraulic oil filter element | 1 | | |
| 7 | 4700394689 | Air filter element, safety | 1 | | |
| 8 | 4700357138 | Ventilating filter | 1 | | |
| 9 | 4812030117 | Gear oil 300 / 20 ltr. | 1 | | |
| 10 | 4812030096 | Dynapac Roller Grease | 1 | | |

Service kits 4812157254 Start up kit

NO EXPLODED VIEW
AVAILABLE
FOR THIS BOM

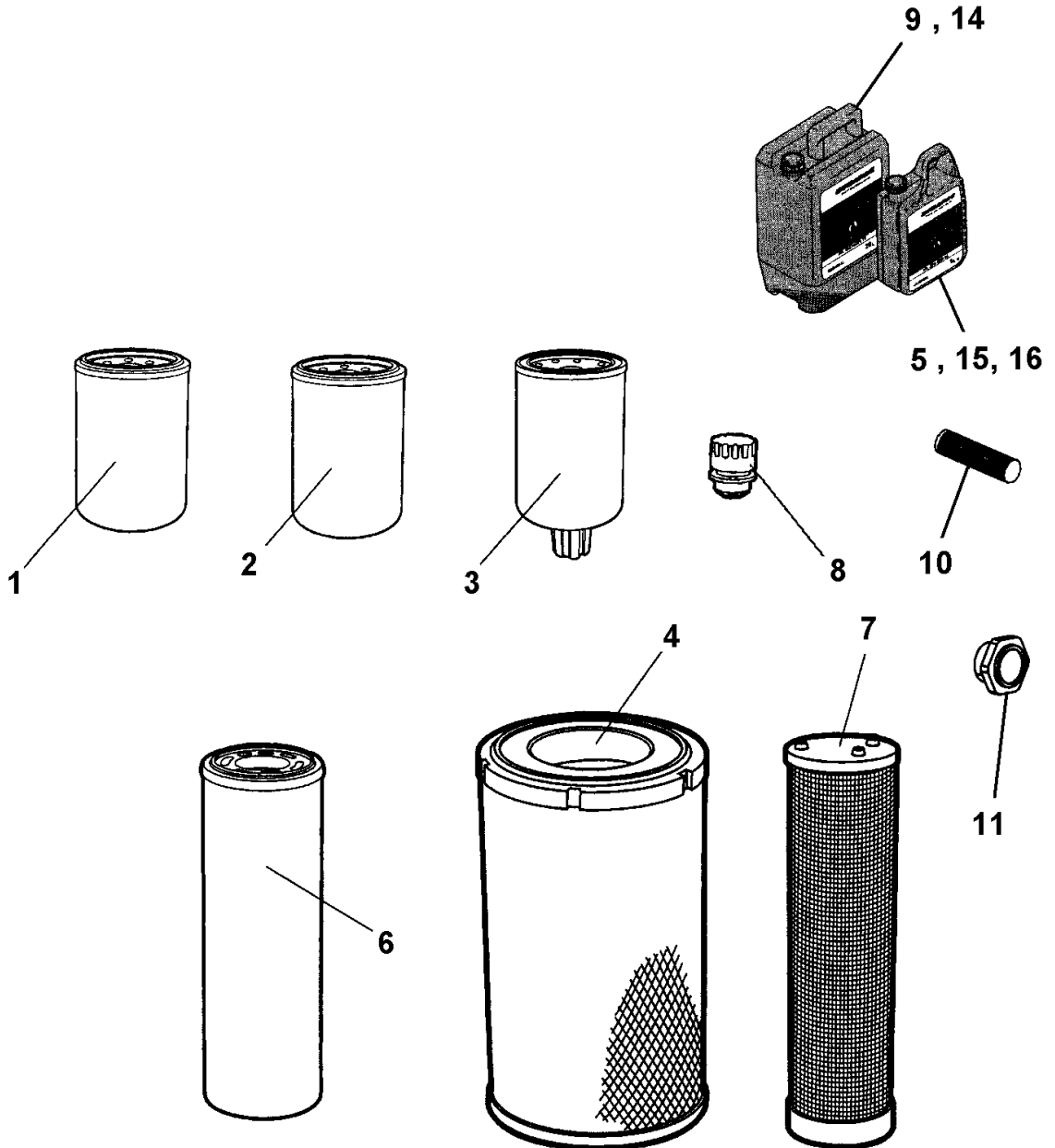
| Item | Part No. | Name | Qty | L | SN INFO |
|------|------------|-------------------------|-----|---|---------|
| - | 4812157254 | Start up kit | | | |
| 1 | 4812156993 | Service kit, 50h Plus | 1 | | |
| 2 | 4812157363 | Service kit, 500h Plus | 1 | | |
| 3 | 4812157277 | Service kit, 1000h Plus | 1 | | |

Service kits 4812158053 Service kit, 2000h



| Item | Part No. | Name | Qty | L | SN INFO |
|------|------------|---------------------------------|-----|---|---------|
| - | 4812158053 | Service kit, 2000h | | | |
| 1 | 4700903942 | Oil filter | 1 | | |
| 2 | 4700950568 | Fuel filter | 2 | | |
| 3 | 4812031626 | Pre-fuel filter, filter element | 1 | | |
| 4 | 4700394688 | Air filter element, main | 1 | | |
| 6 | 4812112262 | Hydraulic oil filter element | 1 | | |
| 7 | 4700394689 | Air filter element, safety | 1 | | |
| 8 | 4700357138 | Ventilating filter | 1 | | |
| 11 | 4812118814 | Oil level glass | 2 | | |

Service kits 4812157255 Service kit, 2000h Plus

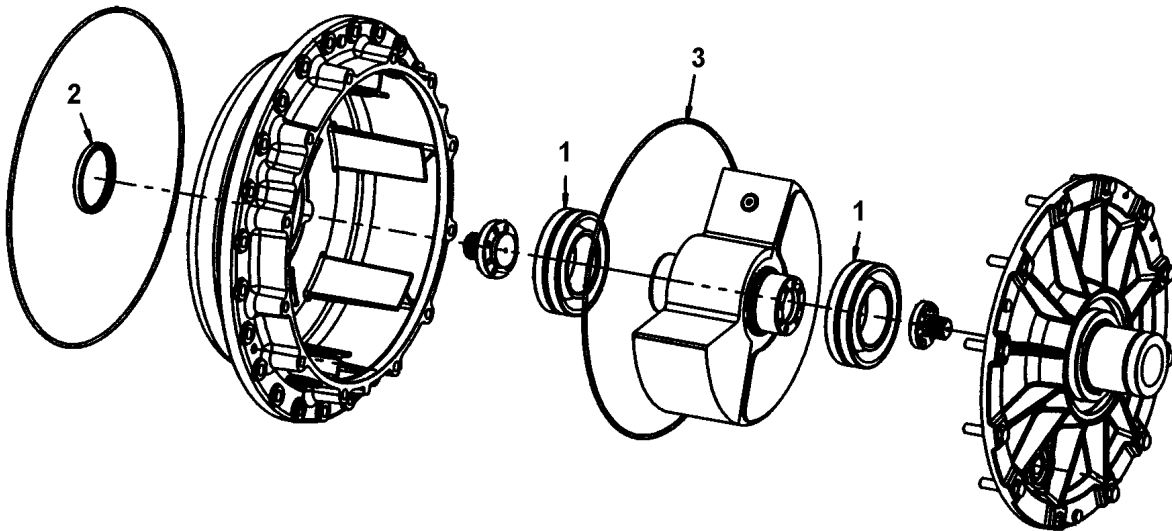


Refer to Parts Online for the most up to date information. The printed information might be outdated.

Fri Dec 11 01:16:57 MST 2015

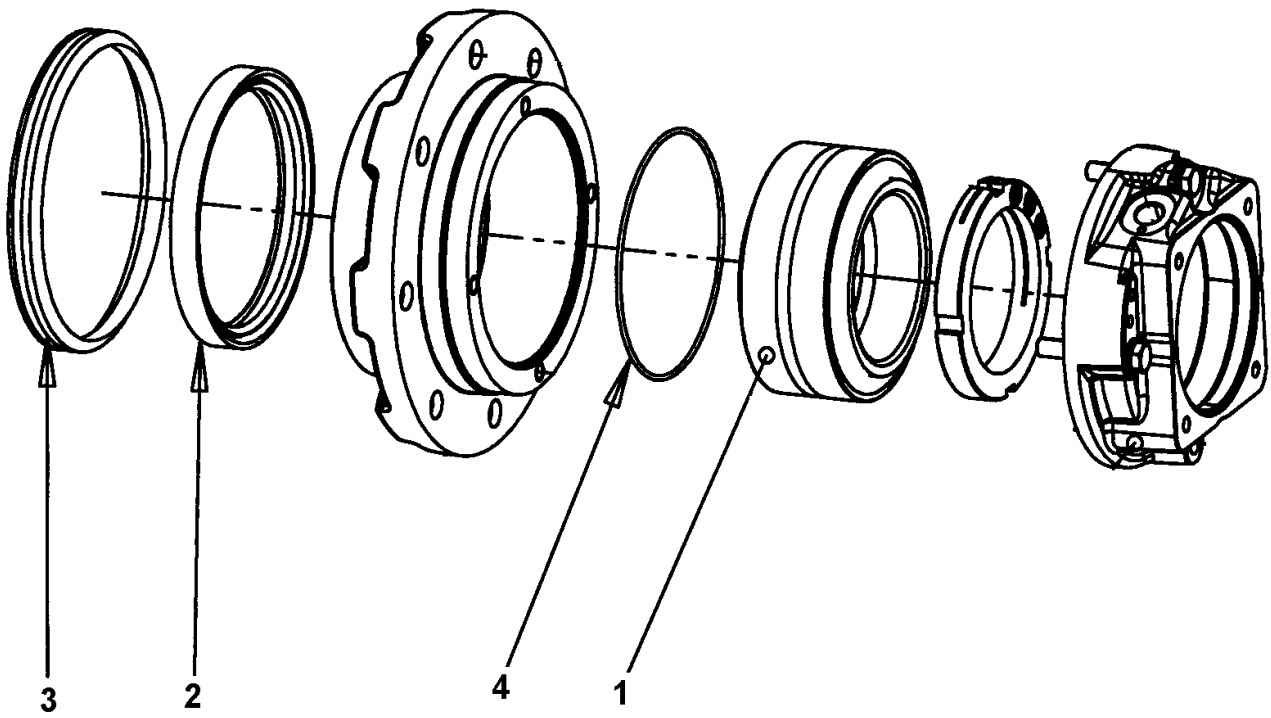
| Item | Part No. | Name | Qty | L | SN INFO |
|------|------------|---|-----|---|---------|
| - | 4812157255 | Service kit, 2000h Plus | | | |
| 1 | 4700903942 | Oil filter | 1 | | |
| 2 | 4700950568 | Fuel filter | 2 | | |
| 3 | 4812031626 | Pre-fuel filter, filter element | 1 | | |
| 4 | 4700394688 | Air filter element, main | 1 | | |
| 5 | 5580020624 | Engine oil 100 / 5 ltr. | 3 | | |
| 6 | 4812112262 | Hydraulic oil filter element | 1 | | |
| 7 | 4700394689 | Air filter element, safety | 1 | | |
| 8 | 4700357138 | Ventilating filter | 1 | | |
| 9 | 4812030117 | Gear oil 300 / 20 ltr. | 1 | | |
| 10 | 4812030096 | Dynapac Roller Grease | 1 | | |
| 11 | 4812118814 | Oil level glass | 2 | | |
| 14 | 9106230330 | Atlas Copco fluid hydraulic oil 300 20 liters | 3 | | |
| 15 | 4812156456 | Dynapac drum oil 1000 5 liters | 1 | | |

Repair kits Eccentric shaft kit



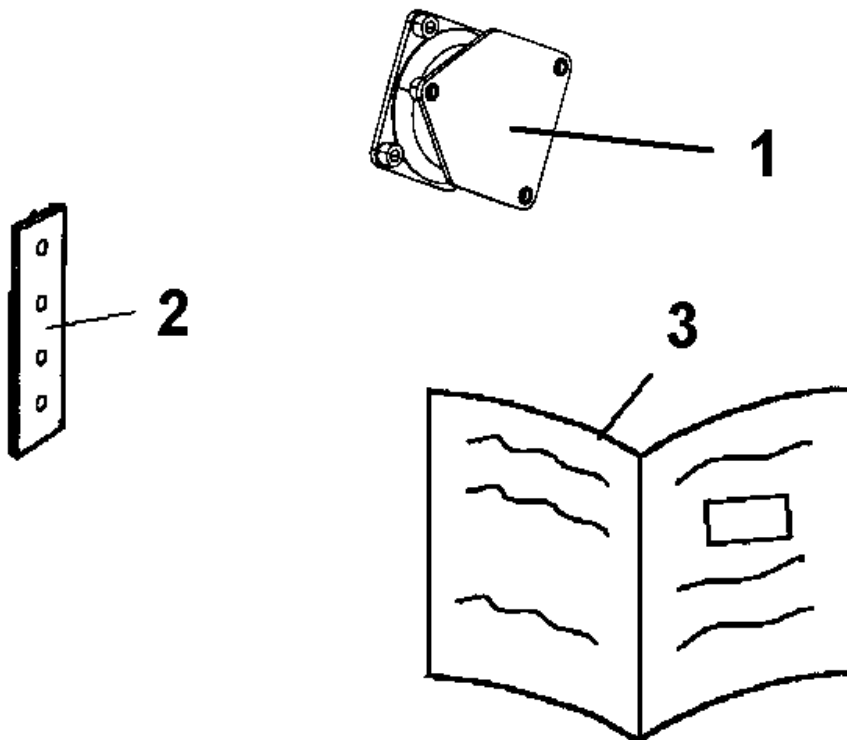
| Item | Part No. | Name | Qty | L | SN INFO |
|------|------------|--------------------------|-----|---|---------|
| 0 | 4700945657 | Eccentric shaft kit | | | |
| 1 | 4700390896 | Spherical roller bearing | 2 | | |
| 2 | 4700900782 | Seal ring | 1 | | |
| 3 | 4700900776 | O-ring | 1 | | |

Repair kits 4812157275 Drum rotation kit



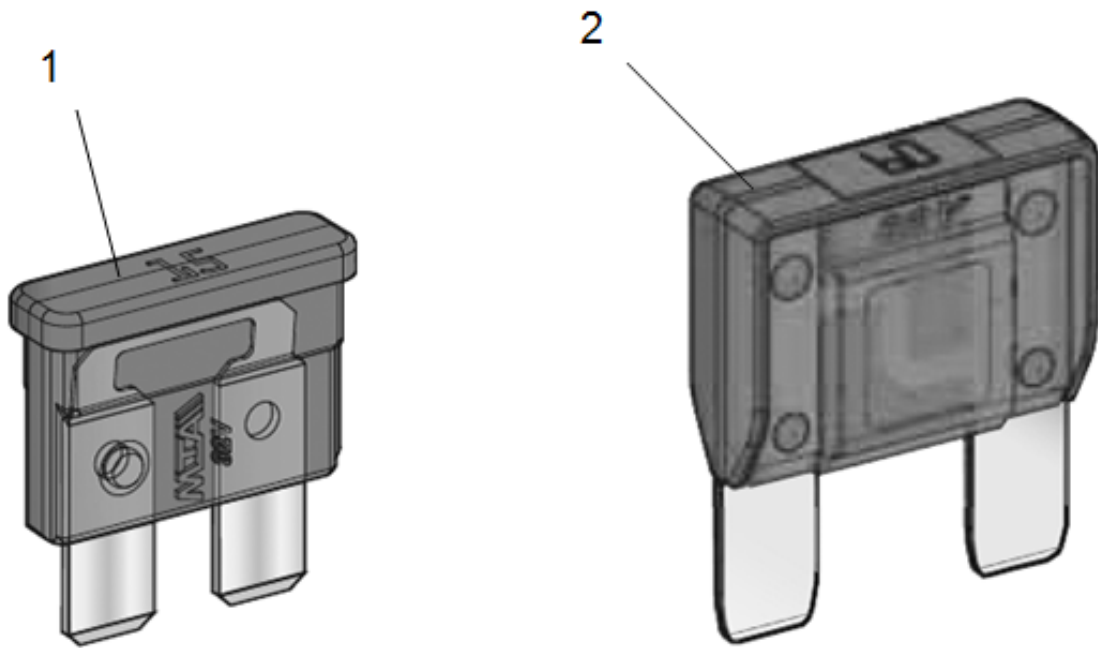
| Item | Part No. | Name | Qty | L | SN INFO |
|------|------------|----------------------|-----|---|---------|
| 0 | 4812157275 | Drum rotation kit | 1 | | |
| 1 | 4700116041 | Taper roller bearing | 1 | | |
| 2 | 4700167023 | Seal ring | 1 | | |
| 3 | 4700929447 | V-ring | 1 | | |
| 4 | 4700160105 | O-ring 70 | 1 | | |

Repair kits 4812157276 Shock absorber kit, drum



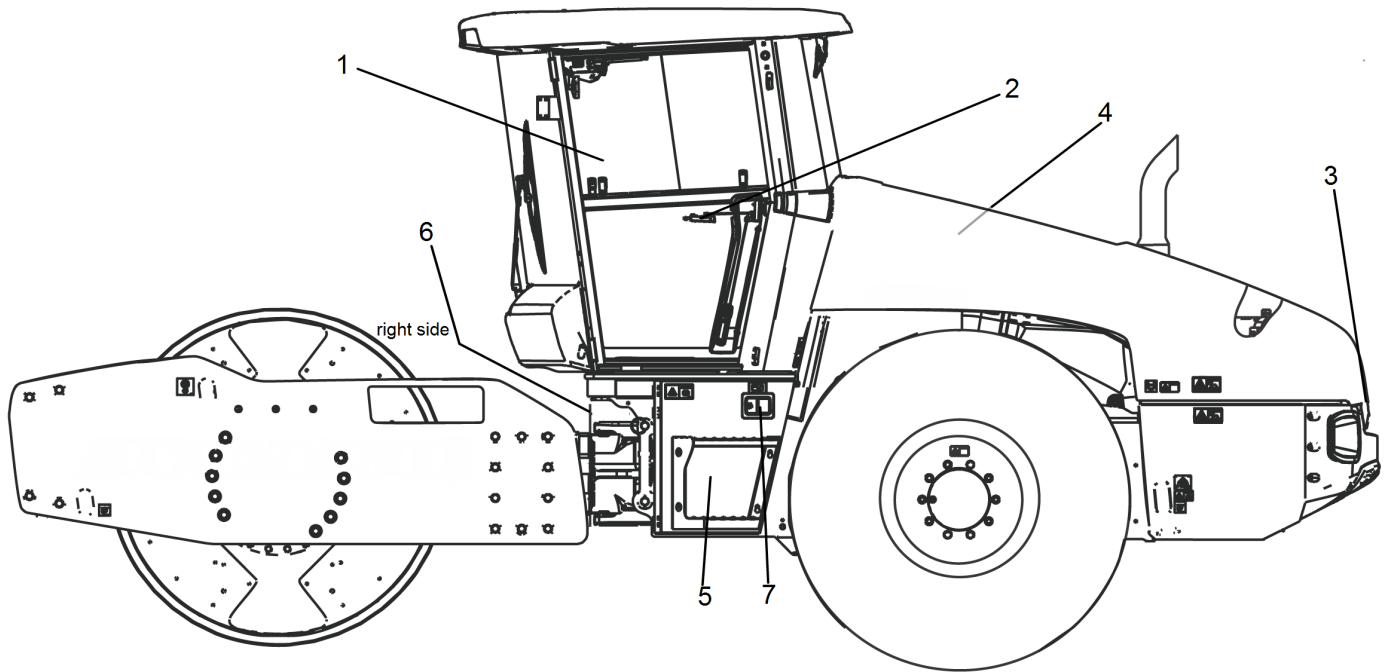
| Item | Part No. | Name | Qty | L | SN INFO |
|------|------------|----------------|-----|---|---------|
| 1 | 4812111046 | Shock absorber | 22 | | |
| 2 | 4812113168 | Shim t = 1 mm | 4 | | |
| 3 | 4812156170 | Instructions | 1 | | |

General - Keys and others Fuses

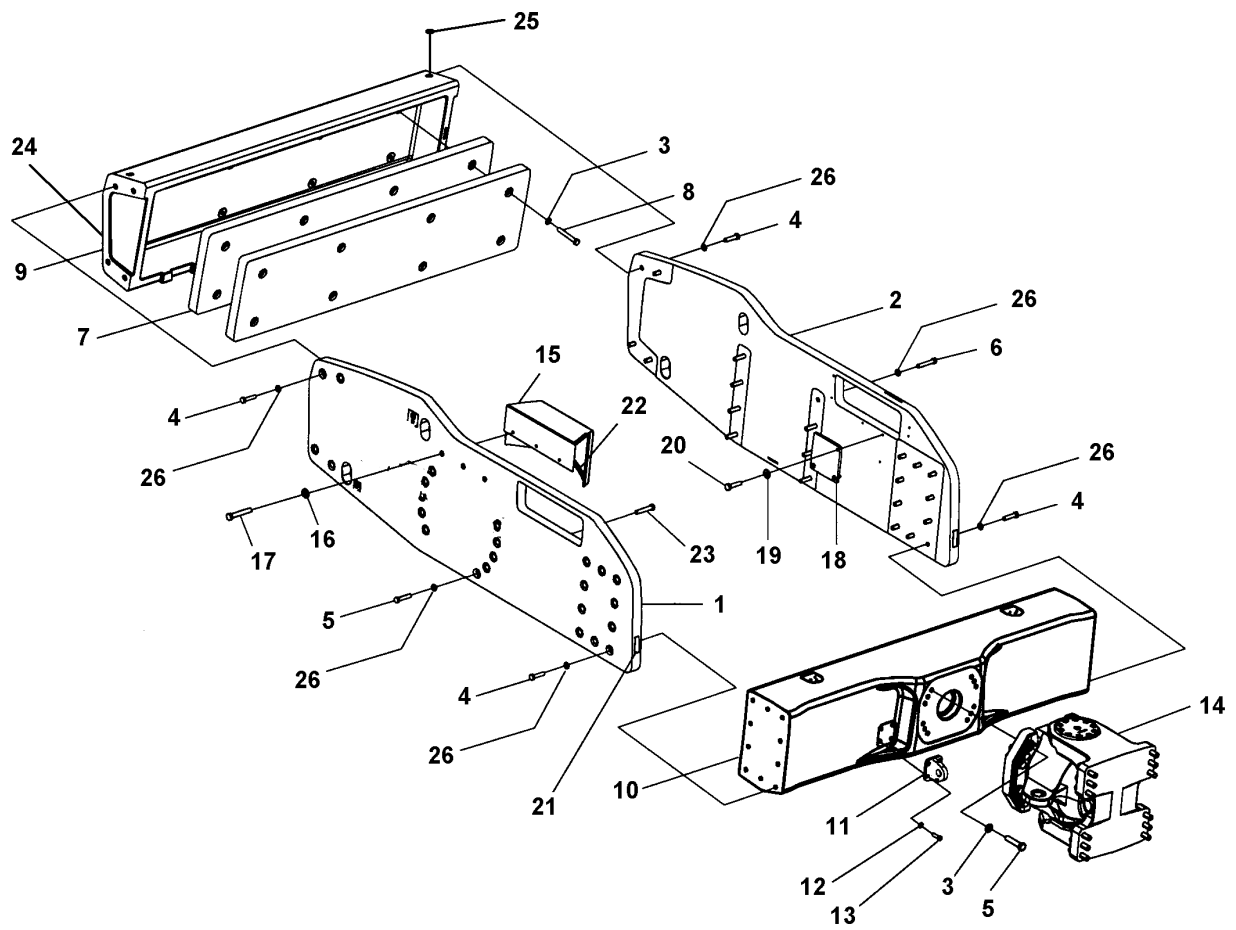


| Item | Part No. | Name | Qty | L | SN INFO |
|------|------------|--------------------------|-----|---|---------|
| 1 | - | Fuse, blade type Medium | | | |
| 1 | 4700901224 | Fuse, 3A Violet | | | |
| 1 | 4700901225 | Fuse 5A Tan | | | |
| 1 | 4700901226 | Fuse 7.5A Brown | | | |
| 1 | 4700901227 | Fuse 10A Red | | | |
| 1 | 4700901228 | Fuse, 15A Blue | | | |
| 1 | 4700903741 | Fuse 20A Yellow | | | |
| 1 | 4700901229 | Fuse, 25A Natural | | | |
| 1 | 4700901230 | Fuse, 30A Green | | | |
| 2 | - | Fuse, blade typ High | | | |
| 2 | 4700904294 | Fuse 20A Yellow | | | |
| 2 | 4700904037 | Fuse 30A Green | | | |
| 2 | 4700904038 | Fuse 40A Orange | | | |
| 2 | 4700904039 | Fuse 50A Red | | | |
| 2 | 4700904040 | Fuse 60A Blue | | | |
| 2 | 4700904041 | Fuse 70A Tan | | | |
| 2 | 4700904042 | Fuse 80A Natural (White) | | | |

General - Keys and others Keys



| Item | Part No. | Name | Qty | L | SN INFO |
|------|------------|----------------------|-----|---|---------|
| 1 | - | Ignition switch | | | |
| 1 | 4700940451 | Ignition key | | | |
| 2 | - | Cab door | | | |
| 2 | 4812159558 | Key (2pcs) | | | |
| 3 | - | Engine hood (handle) | | | |
| 3 | 4700902866 | Key Marked "455" | | | |
| 4 | - | Engine cover | | | |
| 4 | 4700902866 | Key Marked "455" | | | |
| 5 | - | Battery switch | | | |
| 5 | 4700903641 | Battery key | | | |
| 6 | - | Tool box | | | |
| 6 | 4700358881 | Pad lock | | | |
| 7 | - | Battery space | | | |
| 7 | 4700358881 | Pad lock | | | |

Frame Frame, front

Refer to Parts Online for the most up to date information. The printed information might be outdated.

Fri Dec 11 01:17:02 MST 2015

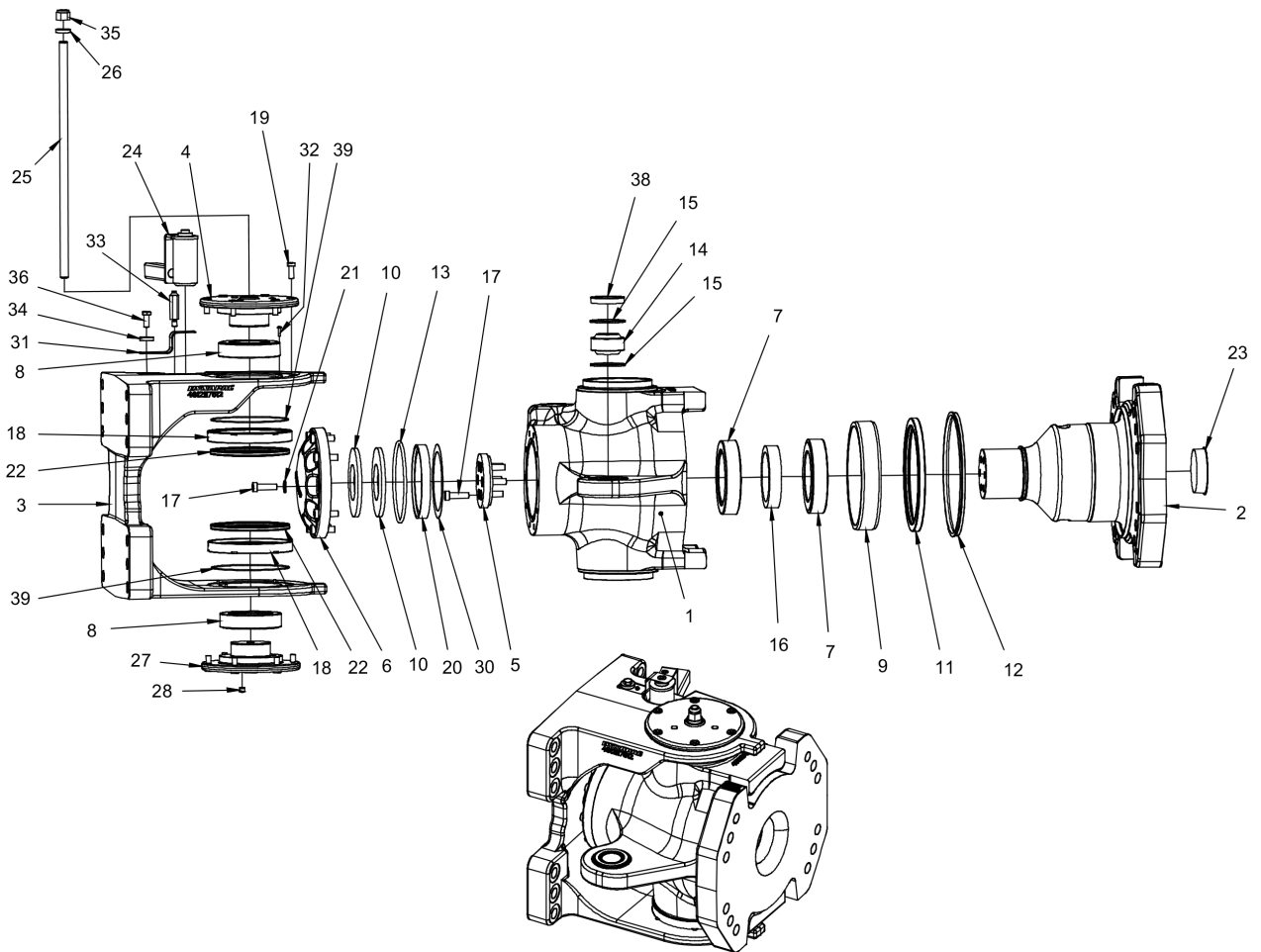
| Item | Part No. | Name | Qty | L | SN INFO |
|------|------------|----------------------------------|-----|---|---------|
| 1 | - | Side plate | 1 | | |
| 2 | - | Side plate | 1 | | |
| 3 | 4700904233 | Steel plain washer 21x36x3 | 32 | | |
| 4 | 4700500287 | Screw M20x80 10,9 | 28 | | |
| 5 | 4700925208 | Screw M20x90 | 34 | | |
| 6 | 4700901381 | Screw | 8 | | |
| 7 | 4812112159 | Ballast weight | 2 | | |
| 8 | 4700904487 | Screw M20x140 10.9 | 8 | | |
| 9 | 4812111653 | Crossbeam | 1 | | |
| 10 | 4812114726 | Crossbeam | 1 | | |
| 11 | 4812114910 | Bracket | 1 | | |
| 12 | 4700904232 | Steel plain washer | 4 | | |
| 13 | 4700500070 | Hex. screw | 4 | | |
| 14 | 4812117507 | Steering hitch, cpl | 1 | | |
| 15 | 4812112535 | Protective hood | 1 | | |
| 16 | 4700904230 | Washer 10.5x22x2 mm 300 HV | 3 | | |
| 17 | 4700500192 | Spacer sleeve | 3 | | |
| 18 | 4812113607 | Bracket | 2 | | |
| 19 | 4700904230 | Washer 10.5x22x2 mm 300 HV | 8 | | |
| 20 | 4700500028 | Hexagon head screw M10x025H, 8.8 | 4 | | |
| 21 | 4700377742 | Reflector, red | 2 | | |
| 22 | 4700902166 | Edge trim | 1XL | A | |
| 23 | 4700500028 | Hexagon head screw M10x025H, 8.8 | 4 | | |
| 24 | 4700377743 | Reflector, white | 2 | | |
| 25 | 4700791396 | Protective plug | 2 | | |
| 26 | 4700903290 | Steel plain washer 21x36x6 | 46 | | |

Comments for Page: Frame, front

(L)OCAL REMARKS

A | en_US | L=0.37m

Frame 4812117507 Steering hitch, cpl



Refer to Parts Online for the most up to date information. The printed information might be outdated.

Fri Dec 11 01:17:03 MST 2015

| Item | Part No. | Name | Qty | L | SN INFO |
|------|------------|--|-----|---|---------|
| 1 | 4812117508 | Yoke | 1 | | |
| 2 | 4812115392 | Shaft | 1 | | |
| 3 | 4812117512 | Holder | 1 | | |
| 4 | 4812121396 | Shaft | 1 | | |
| 5 | 4812115949 | Cover cup | 1 | | |
| 6 | 4812115950 | Cover cap | 1 | | |
| 7 | 4812116334 | Spherical plain bearing | 2 | | |
| 8 | 4812115467 | Spherical plain bearing | 2 | | |
| 9 | 4812115398 | Bushing | 1 | | |
| 10 | 4812116333 | Disc spring | 2 | | |
| 11 | 4700391031 | Radial lip-type seal | 1 | | |
| 12 | 4700792515 | Sealing, v-ring | 1 | | |
| 13 | 4700160296 | O-ring 70 | 1 | | |
| 14 | 4812116821 | Radial spherical plain bearing | 2 | | |
| 15 | 4700151023 | Retaining ring | 4 | | |
| 16 | 4812116340 | Spacer washer | 1 | | |
| 17 | 4700792394 | Screw | 16 | | |
| 18 | 4812121398 | Back-up ring | 2 | | |
| 19 | 4812120414 | Hexagon socket head cap screw w Tuflok | 12 | | |
| 20 | 4812115947 | Washer | 1 | | |
| 21 | 4700904231 | Steel plain washer, 13x24x2 mm 300 HV | 10 | | |
| 22 | 4812120615 | Radial lip-type seal | 2 | | |
| 23 | 4812116702 | Protective plug | 1 | | |
| 24 | 4812119809 | Locking pin cpl | 1 | | |
| 25 | 4812120618 | Threaded stud | 1 | | |
| 26 | 4700904558 | Washer, 17x30x6 mm 300 HV | 1 | | |
| 27 | 4812121397 | Shaft | 1 | | |
| 28 | 4700792083 | Plug | 6 | | |
| 30 | 4812117530 | Shim washer | 1 | | |
| 31 | 4812121665 | Stop plate | 1 | | |
| 32 | 4812121282 | Thread forming screw m | 8 | | |
| 33 | 4812119807 | Holder | 1 | | |
| 34 | 4700904567 | Washer, 10.5x28x6 mm | 1 | | |
| 35 | 291112842 | Prev torq hex nut m | 1 | | |
| 36 | 4700500028 | Hexagon head screw M10x025H, 8.8 | 1 | | |
| 38 | 4812120661 | Sealing strip | 2 | | |
| 39 | 4812121111 | O-ring | 2 | | |

Refer to Parts Online for the most up to date information. The printed information might be outdated.

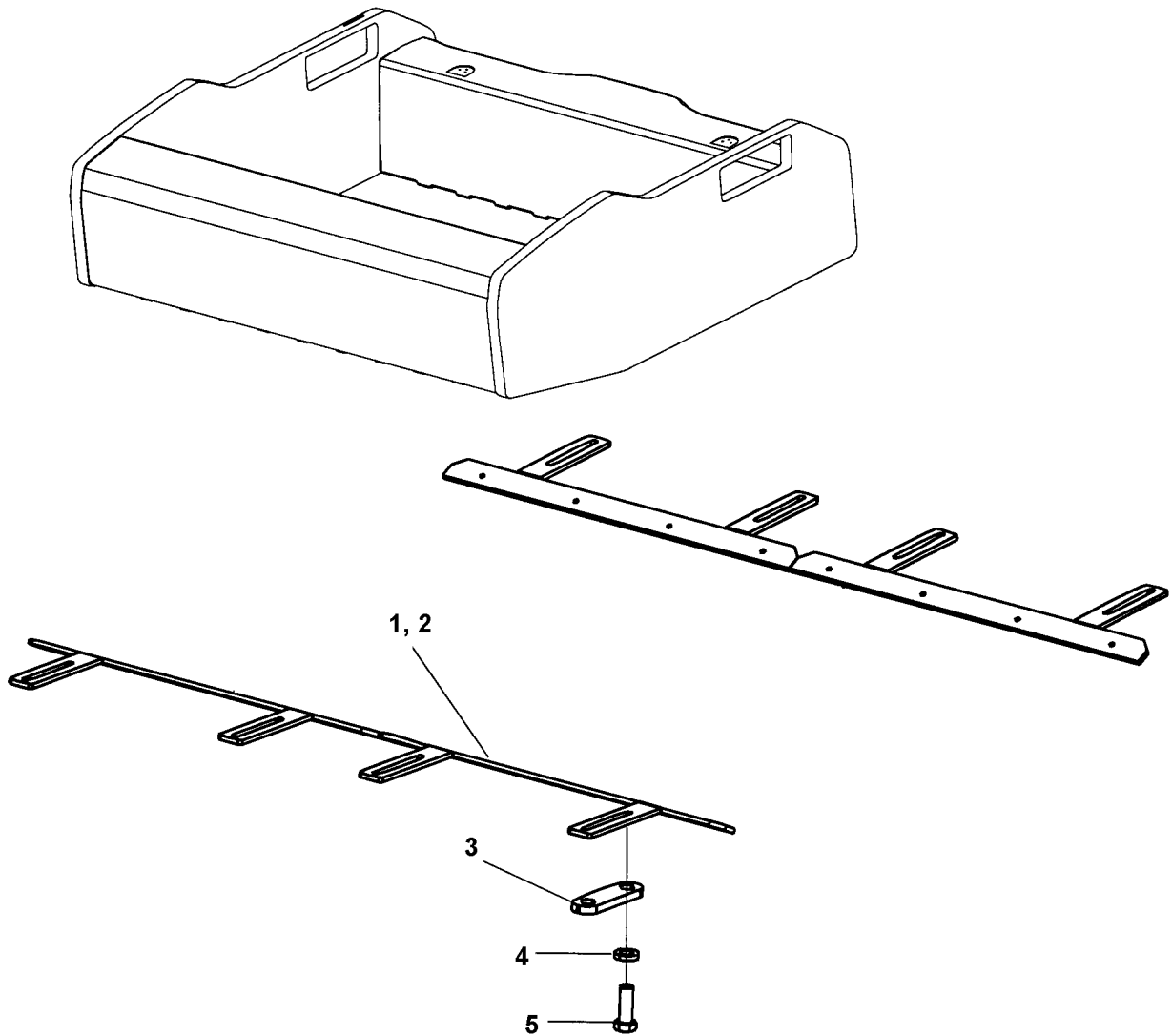
Fri Dec 11 01:17:04 MST 2015

Scrapers, option Scrapers, option

NO EXPLODED VIEW
AVAILABLE
FOR THIS BOM

| Item | Part No. | Name | Qty | L | SN INFO |
|------|----------|------------------------------|-----|---|---------|
| 1 | - | Scraper module Hardox | 4 | | |
| 2 | - | Scraper module Rubber | 4 | | |
| 3 | - | Scraper module PD Hardox | 18 | | |
| 4 | - | Scraper module PD Heavy duty | 2 | | |

Scrapers, option Scraper module Hardox



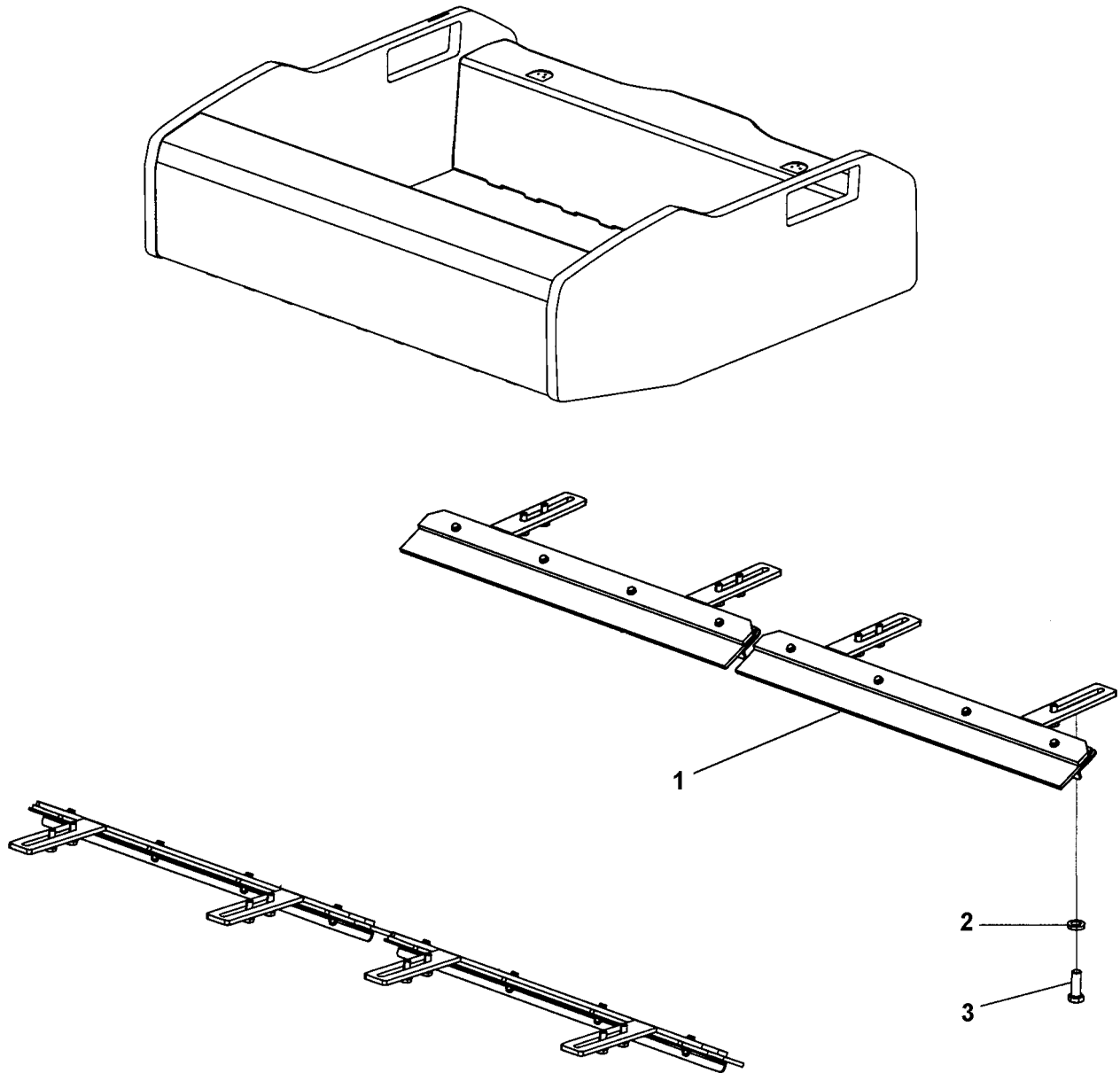
| Item | Part No. | Name | Qty | L | SN INFO |
|------|------------|---------------------------|-----|---|---------|
| 1 | 4812111020 | Scraper, hardox | 1 | | |
| 2 | 4812112614 | Scraper, steel | 1 | A | |
| 3 | 4812111103 | Holder | 2 | | |
| 4 | 4700904558 | Washer, 17x30x6 mm 300 HV | 4 | | |
| 5 | 4700500102 | Hex. screw | 4 | | |

Comments for Page: Scraper module Hardox

(L)OCAL REMARKS

A | en_US | Replaced by item 1 p/n 4812111020.

Scrapers, option Scraper module Rubber

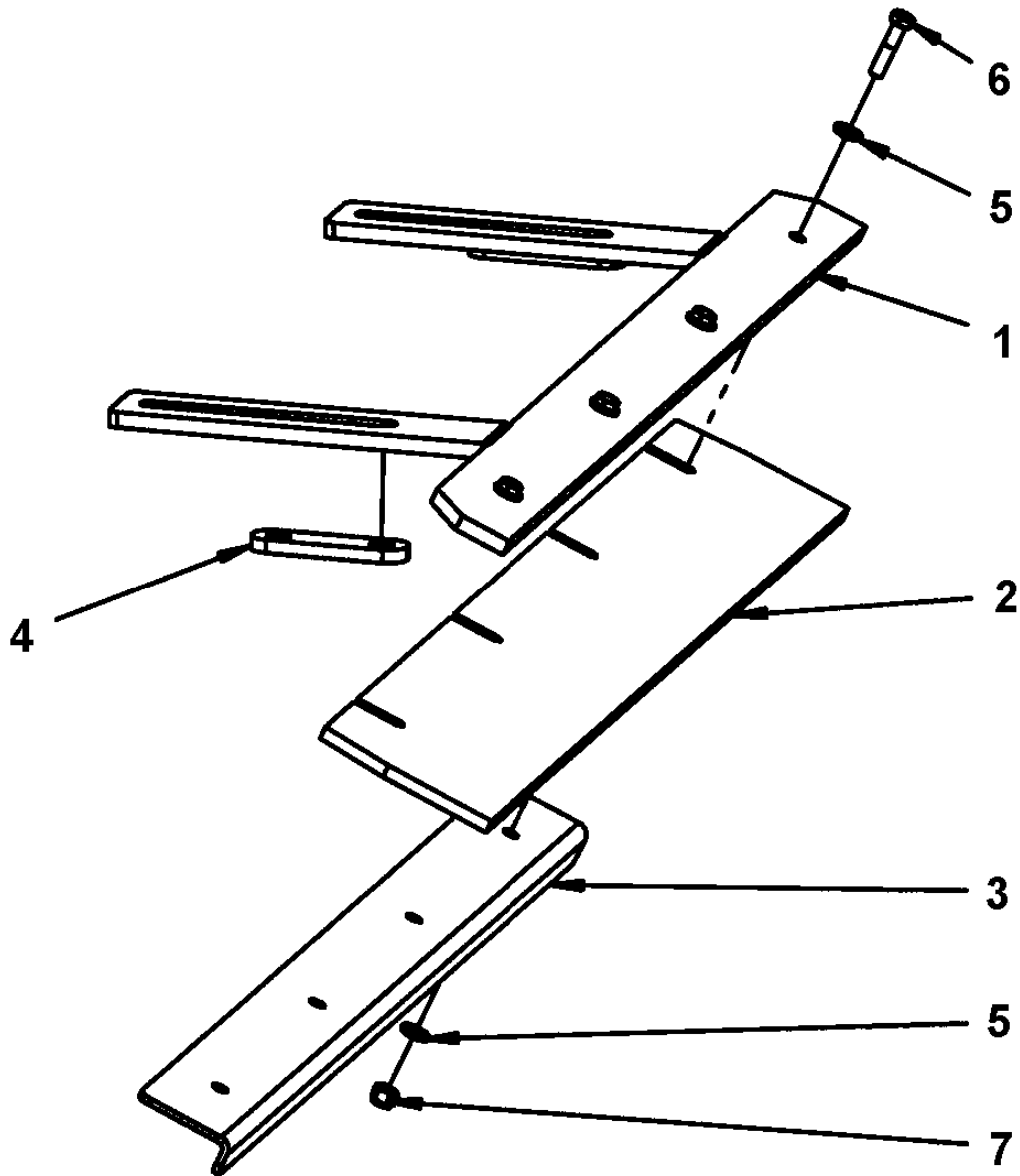


Refer to Parts Online for the most up to date information. The printed information might be outdated.

Fri Dec 11 01:17:05 MST 2015

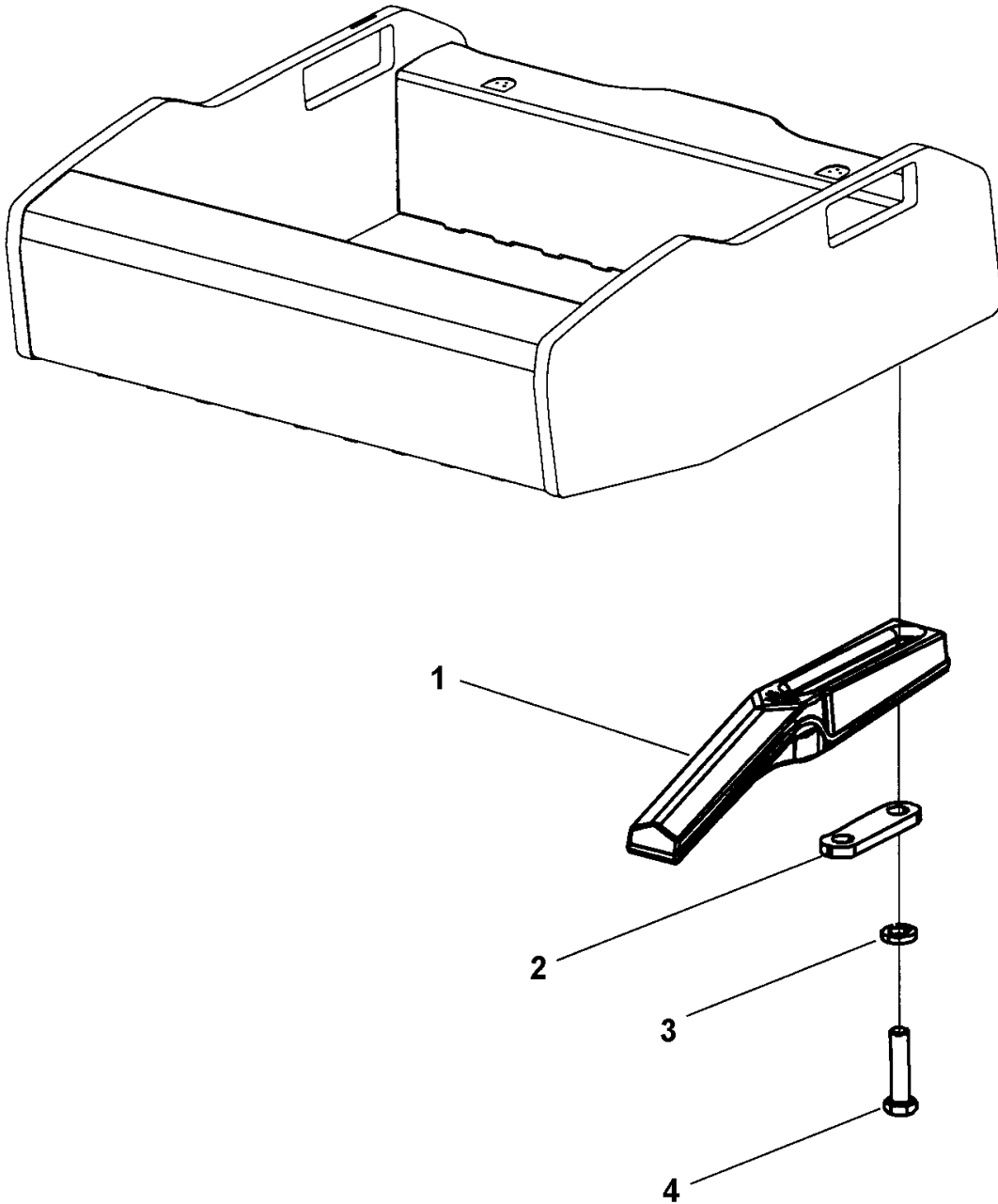
| Item | Part No. | Name | Qty | L | SN INFO |
|------|------------|---------------------------|-----|---|---------|
| 1 | - | Scraper assy | 1 | | |
| 2 | 4700904558 | Washer, 17x30x6 mm 300 HV | 4 | | |
| 3 | 4700500102 | Hex. screw | 4 | | |

Scrapers, option Scraper assy



| Item | Part No. | Name | Qty | L | SN INFO |
|------|------------|----------------------------|-----|---|---------|
| 1 | 4812111020 | Scraper, hardox | 1 | | |
| 2 | 4812114833 | Scraper blade | 1 | | |
| 3 | 4812111092 | Bracket | 1 | | |
| 4 | 4812111103 | Holder | 2 | | |
| 5 | 4700904230 | Washer 10.5x22x2 mm 300 HV | 8 | | |
| 6 | 4700500161 | Screw | 4 | | |
| 7 | 4700586018 | Lock nut, M10 | 4 | | |

Scrapers, option Scraper module PD Hardox

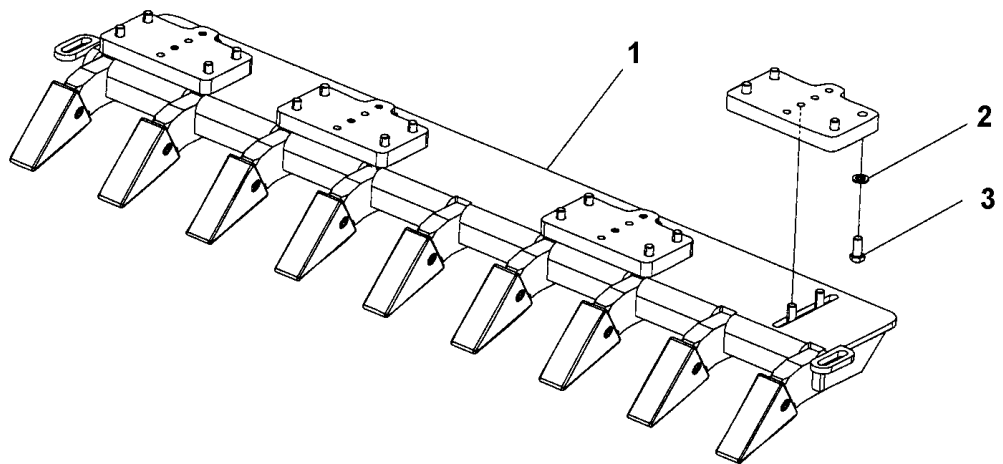
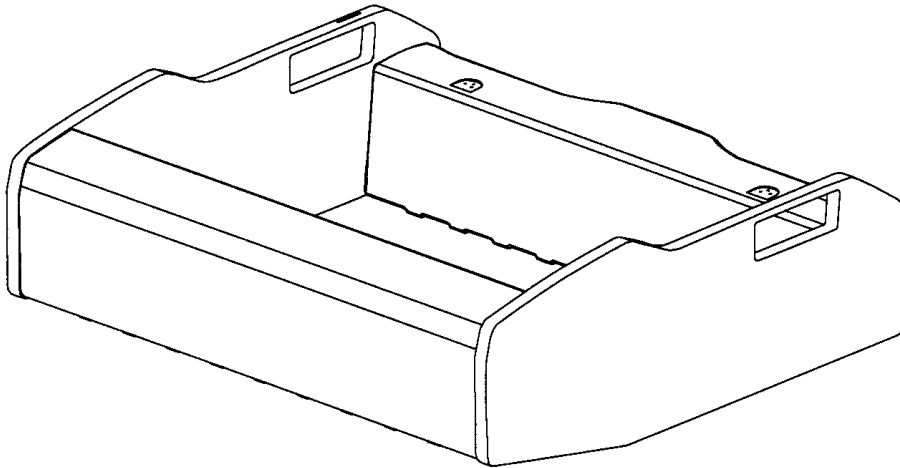


Refer to Parts Online for the most up to date information. The printed information might be outdated.

Fri Dec 11 01:17:05 MST 2015

| Item | Part No. | Name | Qty | L | SN INFO |
|------|------------|---------------------------|-----|---|---------|
| 1 | 4700397305 | Scraper tooth | 1 | | |
| 2 | 4812111103 | Holder | 1 | | |
| 3 | 4700904558 | Washer, 17x30x6 mm 300 HV | 2 | | |
| 4 | 4812110572 | Screw w Tuflok | 2 | | |

Scrapers, option Scraper module PD Heavy duty

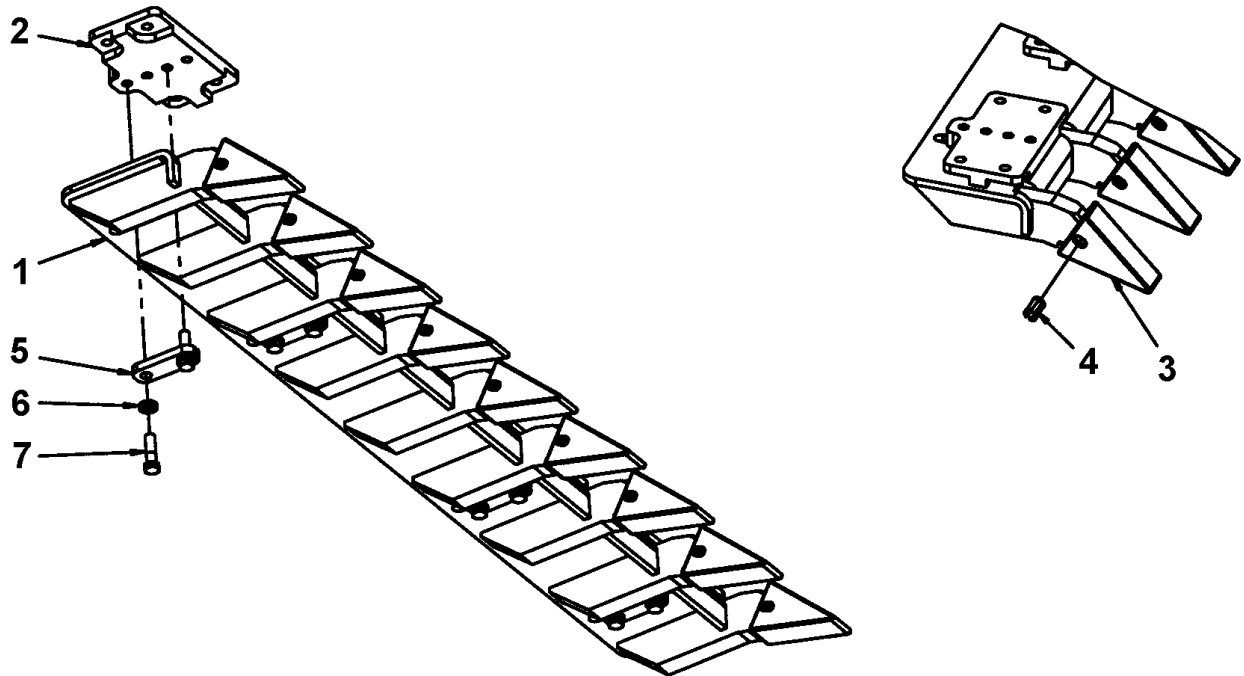


Refer to Parts Online for the most up to date information. The printed information might be outdated.

Fri Dec 11 01:17:05 MST 2015

| Item | Part No. | Name | Qty | L | SN INFO |
|------|------------|--------------------|-----|---|---------|
| 1 | - | Scraper mount | 1 | | |
| 2 | 4700904232 | Steel plain washer | 16 | | |
| 3 | 4700500123 | Hex. screw | 16 | | |

Scrapers, option Scraper mount



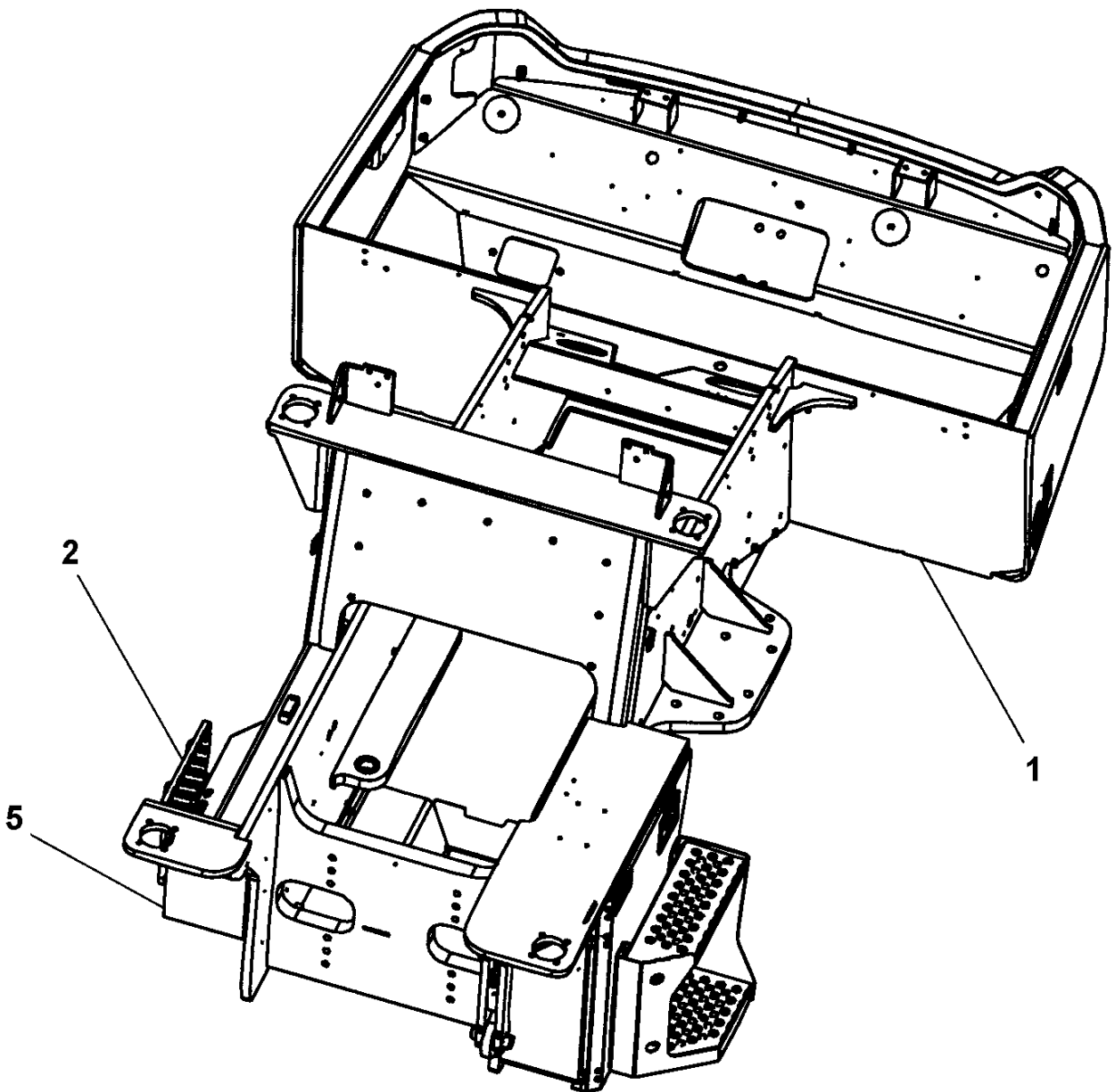
| Item | Part No. | Name | Qty | L | SN INFO |
|------|------------|---------------------------|-----|---|---------|
| 1 | 4812116617 | Scraper | 1 | | |
| 2 | 4812115508 | Adapter | 4 | | |
| 3 | 4700383844 | Scraper | 9 | | |
| 4 | 4700801631 | Pin | 9 | | |
| 5 | 4812118062 | Holder | 4 | A | |
| 6 | 4700904558 | Washer, 17x30x6 mm 300 HV | 8 | | |
| 7 | 4700500270 | Screw M16x60 10,9 | 8 | A | |

Comments for Page: Scraper mount

(L)OCAL REMARKS

A | en_US | Item 5 and 7 used together.

Frame Frame, rear



Refer to Parts Online for the most up to date information. The printed information might be outdated.

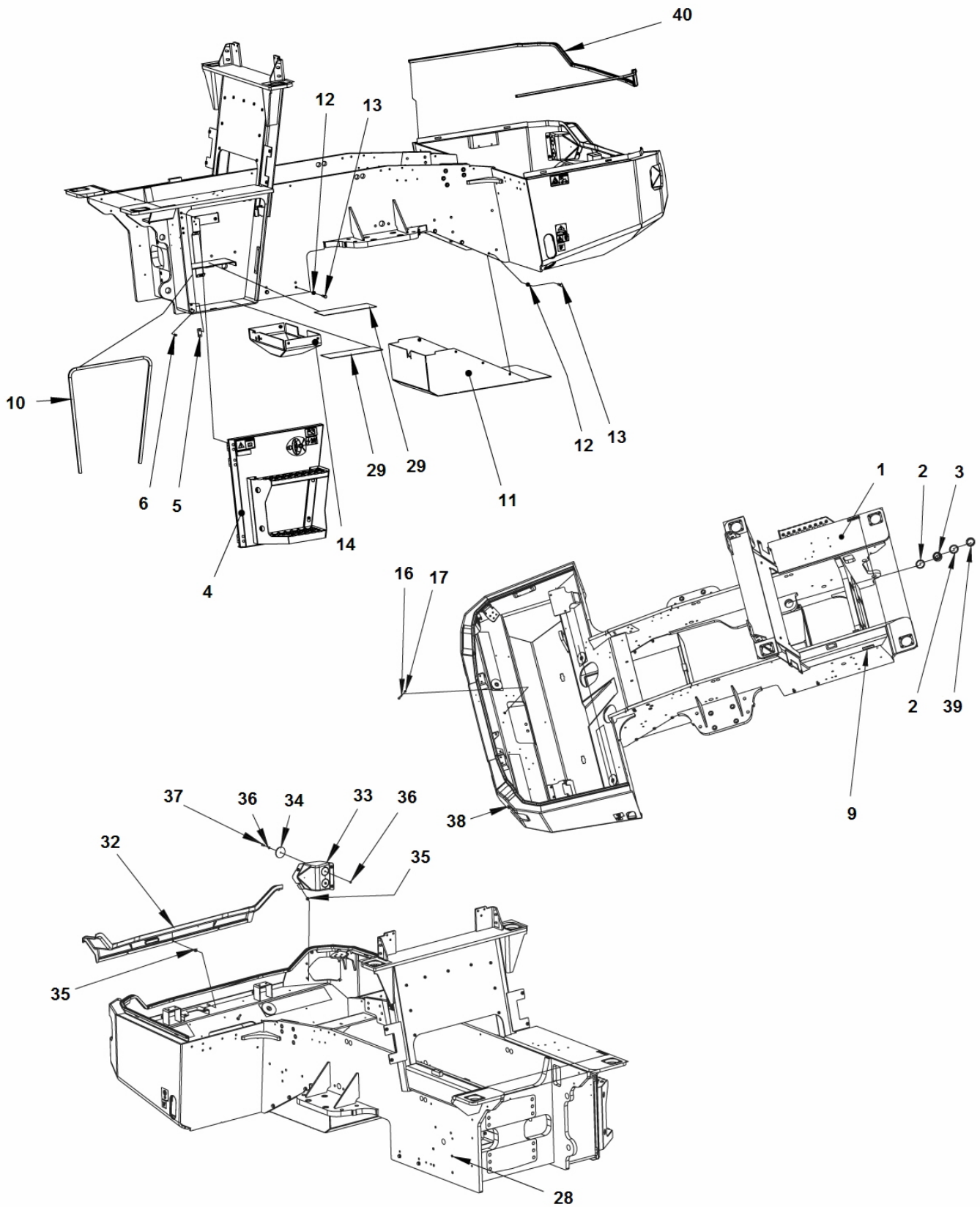
Fri Dec 11 01:17:07 MST 2015

| Item | Part No. | Name | Qty | L | SN INFO |
|------|----------|-------------------------|-----|---|---------|
| 1 | - | Frame rear module | 1 | | |
| 2 | - | Step module | 1 | A | |
| 5 | - | Tool box module, Option | 1 | | |

Comments for Page: Frame, rear

(L)OCAL REMARKS

A | en_US | Used with cab.

Frame Frame rear module

Refer to Parts Online for the most up to date information. The printed information might be outdated.

Fri Dec 11 01:17:08 MST 2015

| Item | Part No. | Name | Qty | L | SN INFO |
|------|------------|--------------------------------------|-----|---|---------|
| 1 | 4812122054 | Frame rear | 1 | | |
| 2 | 4700151023 | Retaining ring | 4 | | |
| 3 | 4812116821 | Radial spherical plain bearing | 2 | | |
| 4 | - | Cover assembly | 1 | | |
| 5 | 4700389857 | Threaded plate | 3 | | |
| 6 | 4700513012 | Screw, M6 x 20 mm 10.9 GEOMET® | 6 | | |
| 10 | 4700202057 | Rubber edge trim | 1XL | A | |
| 11 | 4812120560 | Cover plate | 1 | | |
| 12 | 4700904557 | Washer, 10.5x22x4 mm 300 HV | 10 | | |
| 13 | 4700500091 | Screw | 10 | | |
| 14 | 4812117048 | Cover plate | 1 | | |
| 16 | 4700500239 | Hex. head screw | 1 | | |
| 17 | 4700570005 | Hexagon nut | 1 | | |
| 28 | 4700926215 | Protective plug | 5 | | |
| 29 | 4700355608 | Slip protection | 2 | | |
| 32 | 4812120526 | Cover | 1 | | |
| 33 | 4812120160 | Holder | 2 | | |
| 34 | 4700791956 | Reflector, red | 4 | | |
| 35 | 4700903586 | Hexagon nut with flange, M8x1.25 A2K | 13 | | |
| 36 | 4700904228 | Washer 6.4x12x1.5 mm 300 HV | 8 | | |
| 37 | 4700791666 | Blind rivet | 4 | | |
| 38 | 4700377742 | Reflector, red | 2 | | |
| 39 | 4812120661 | Sealing strip | 2 | | |
| 40 | 4812120363 | Edge trim | 1XL | B | |

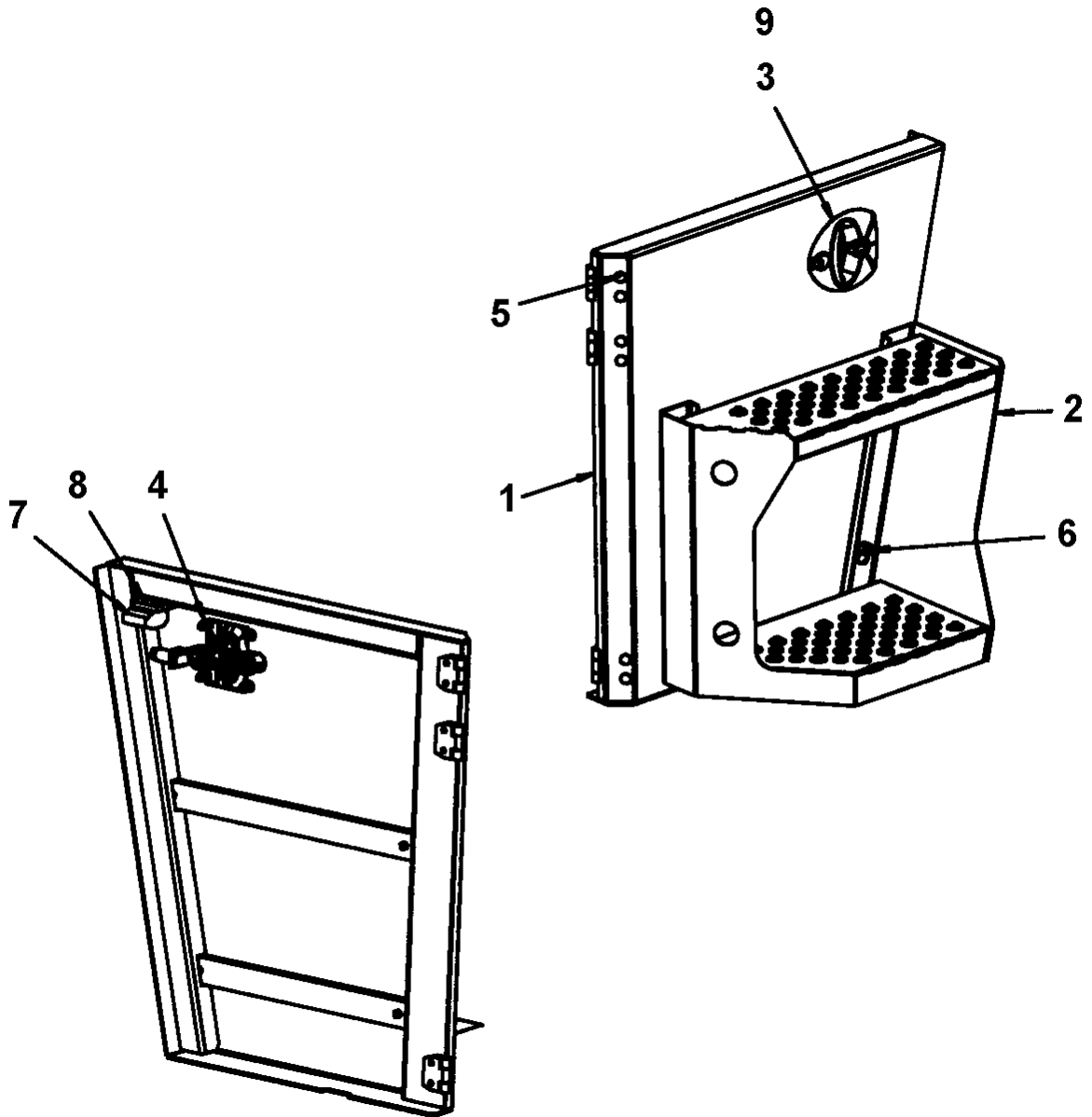
Comments for Page: Frame rear module

(L)OCAL REMARKS

A | en_US | L=1.83m

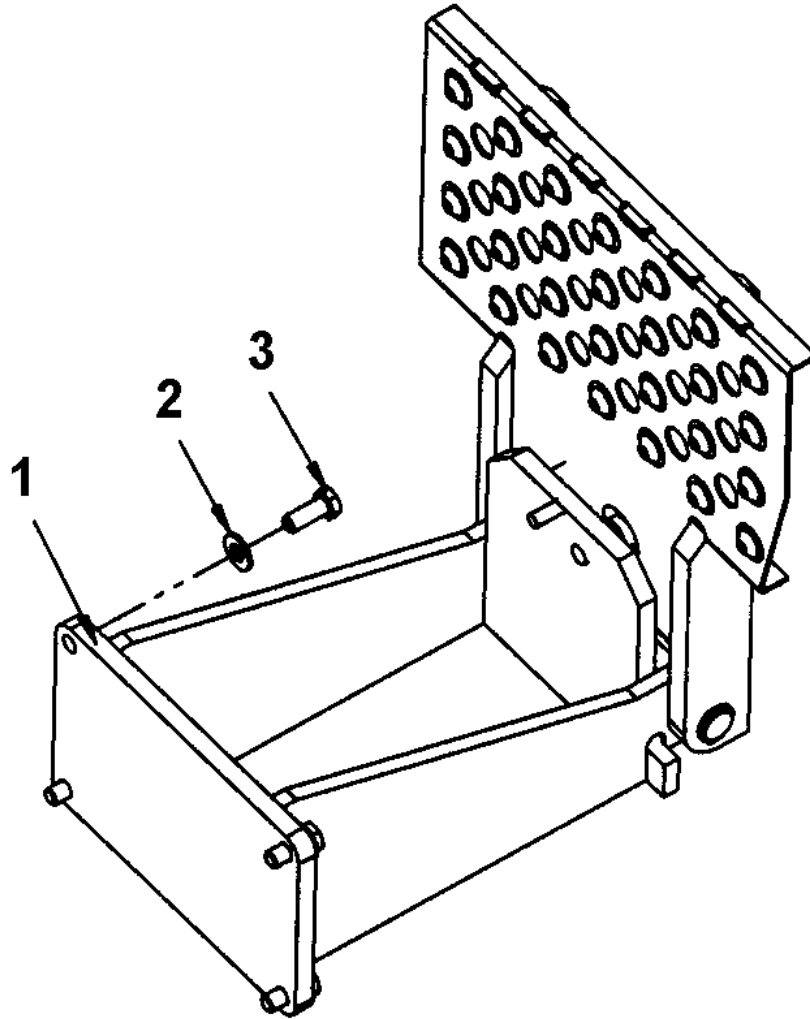
B | en_US | L=4.2 m

Frame Cover assembly



| Item | Part No. | Name | Qty | L | SN INFO |
|------|------------|-------------------|-----|---|---------|
| 1 | 4812113315 | Cover | 1 | | |
| 2 | 4812112059 | Step assy | 1 | | |
| 3 | 4812121914 | Lock with bracket | 1 | | |
| 4 | 4700902285 | Nut | 4 | | |
| 5 | 4700921723 | Plug | 6 | | |
| 6 | 4700508028 | Screw | 4 | | |
| 7 | 4700390365 | Spacer | 1 | | |
| 8 | 4700513017 | Screw | 2 | | |
| 9 | 4700358881 | Pad lock | 1 | | |

Frame Step module

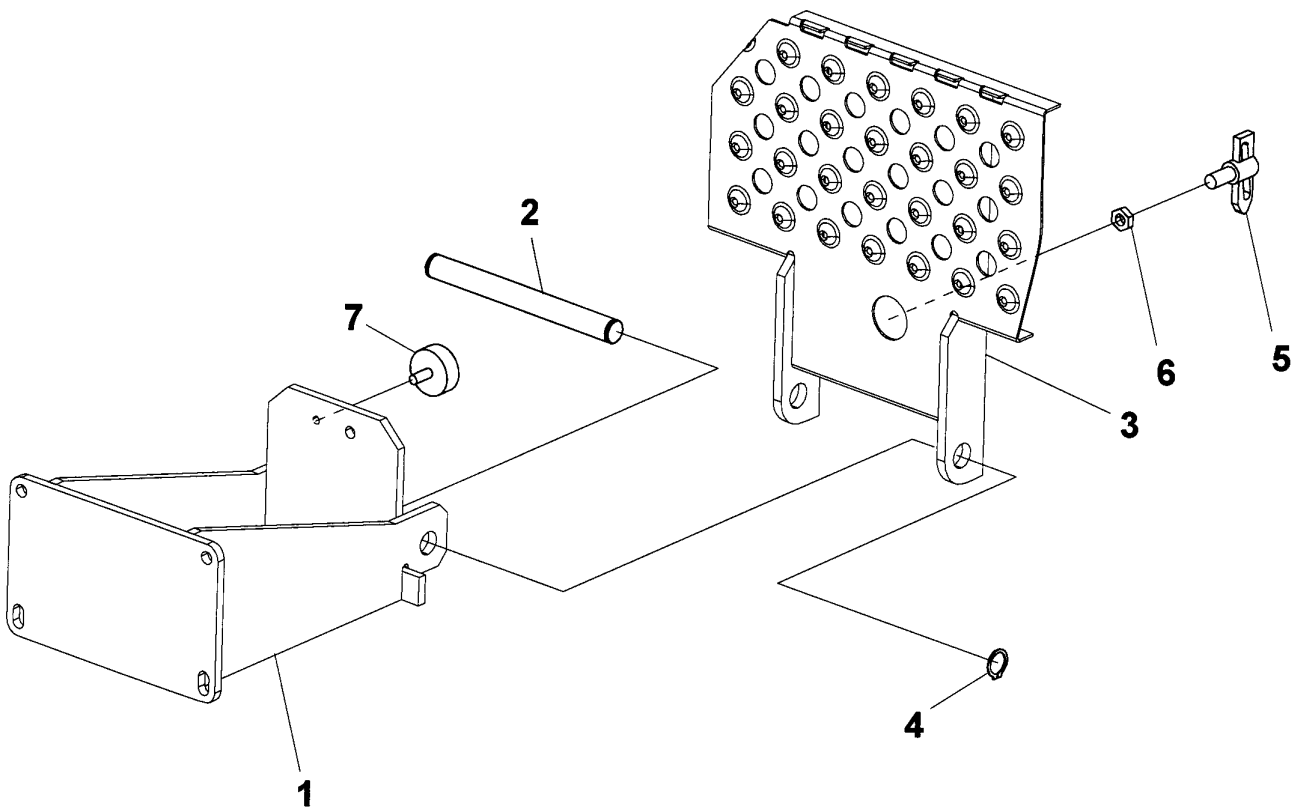


Refer to Parts Online for the most up to date information. The printed information might be outdated.

Fri Dec 11 01:17:09 MST 2015

| Item | Part No. | Name | Qty | L | SN INFO |
|------|------------|----------------------------------|-----|---|---------|
| 1 | - | Step assy | 1 | | |
| 2 | 4700904230 | Washer 10.5x22x2 mm 300 HV | 4 | | |
| 3 | 4700500028 | Hexagon head screw M10x025H, 8.8 | 4 | | |

Frame Step assy



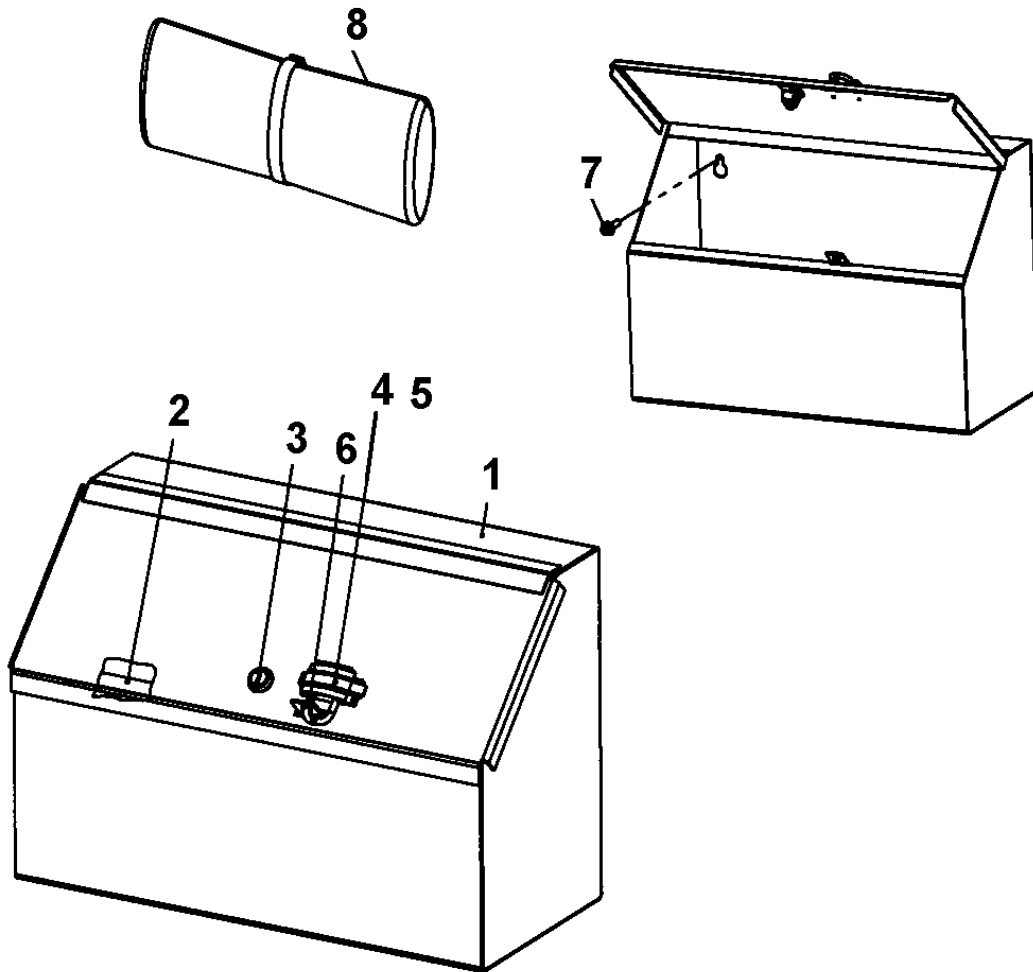
| Item | Part No. | Name | Qty | L | SN INFO |
|------|------------|----------------|-----|---|---------|
| 1 | 4812116653 | Bracket | 1 | A | |
| 2 | 4812116651 | Shaft | 1 | A | |
| 3 | 4812116652 | Step | 1 | A | |
| 4 | 4700150008 | Circlip | 2 | | |
| 5 | 4700475064 | Lock | 1 | | |
| 6 | 4700927233 | Nut | 1 | | |
| 7 | 4700792601 | Shock absorber | 1 | | |

Comments for Page: Step assy

(L)OCAL REMARKS

A | en_US | Item 1, 2 and 3 used together.

Frame Tool box module, Option



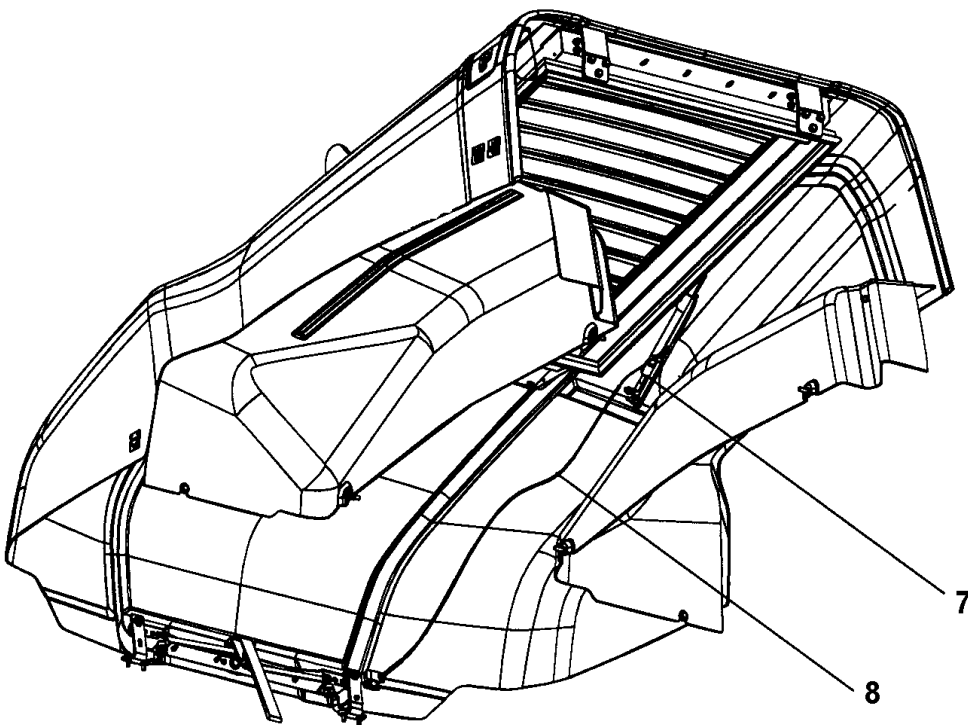
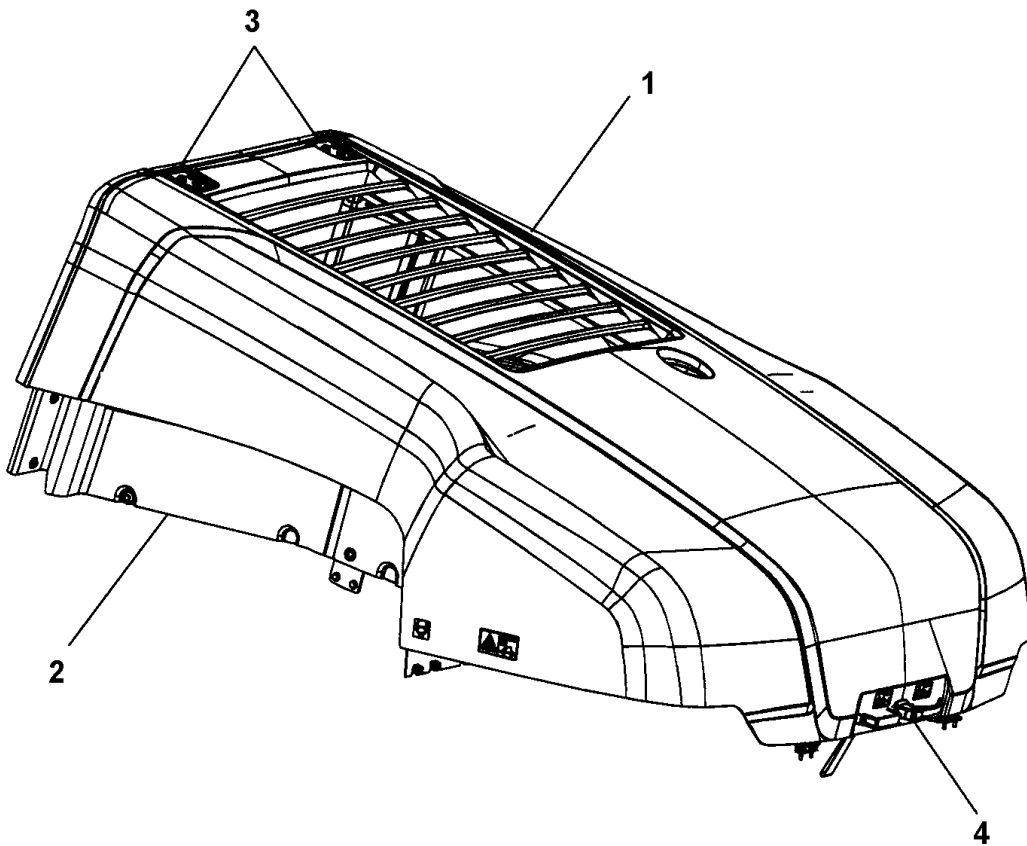
| Item | Part No. | Name | Qty | L | SN INFO |
|------|------------|------------------------|-----|---|---------|
| 1 | 4812114756 | Tool box | 1 | | |
| 2 | 4700903615 | Rubber strip | 1XL | A | |
| 3 | 4700372658 | Lock | 1 | | |
| 4 | 4700394536 | Wiring clip | 1 | | |
| 5 | 4700624018 | Blind rivet | 2 | | |
| 6 | 4700358881 | Pad lock | 1 | | |
| 7 | 4700902041 | Screw, M8x25mm 8.8 A2K | 3 | | |
| 8 | 4700355889 | Tool set Cpl | 1 | | |

Comments for Page: Tool box module, Option

(L)OCAL REMARKS

A | en_US | L=0.48m

Frame Engine structure

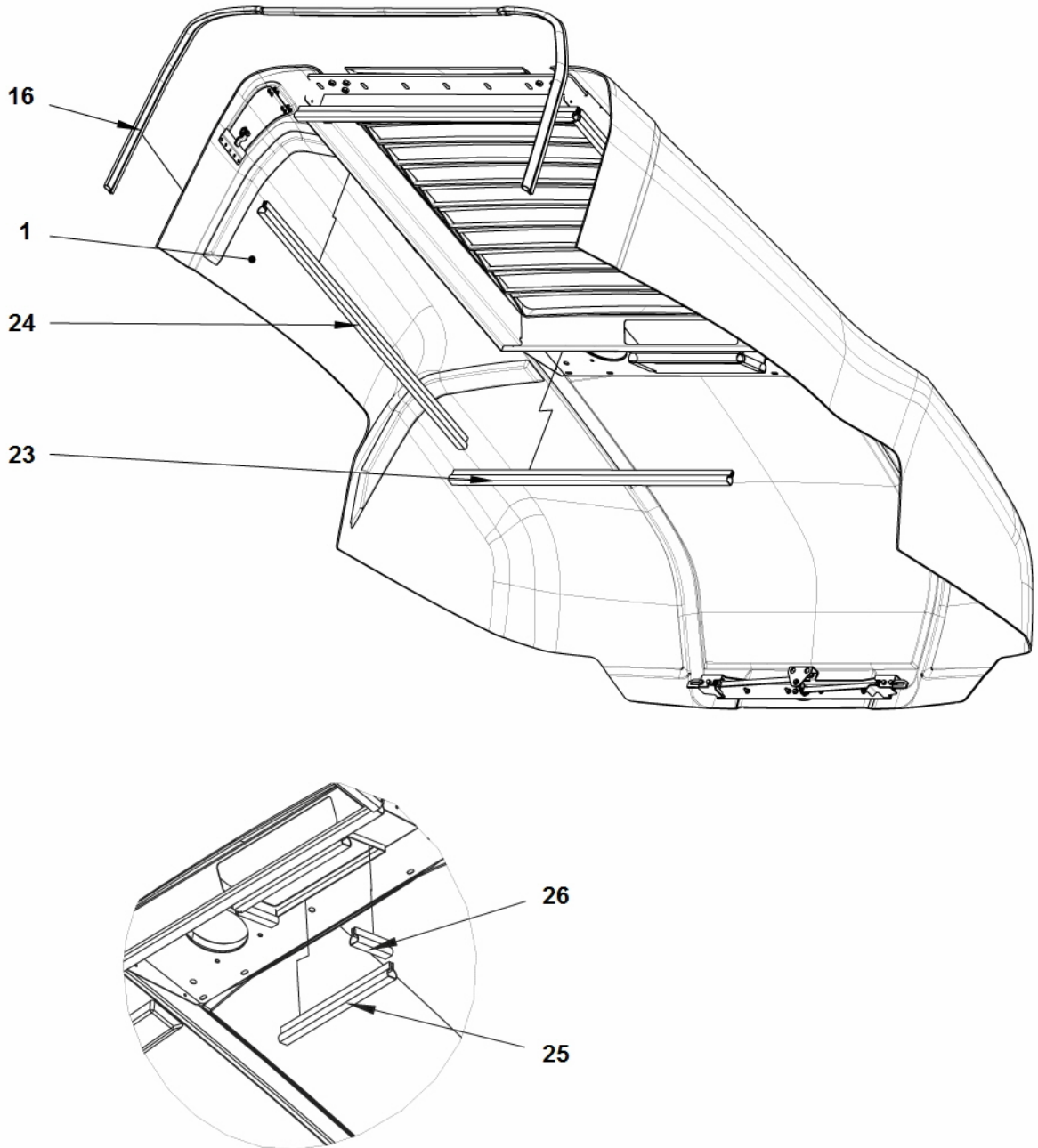


Refer to Parts Online for the most up to date information. The printed information might be outdated.

Fri Dec 11 01:17:11 MST 2015

| Item | Part No. | Name | Qty | L | SN INFO |
|------|----------|--------------------|-----|---|---------|
| 1 | - | Engine hood module | 1 | | |
| 2 | - | Fender module | 1 | | |
| 3 | - | Hinge module | 1 | | |
| 7 | - | Gas spring module | 1 | | |
| 8 | - | Safety link module | 1 | | |

Frame Engine hood module



| Item | Part No. | Name | Qty | L | SN INFO |
|------|------------|-------------------|-----|---|---------|
| 1 | - | Engine hood mount | 1 | | |
| 16 | 4812114814 | Sealing strip | 1 | | |
| 23 | 4812117839 | Sealing strip | 1XL | A | |
| 24 | 4812117839 | Sealing strip | 1XL | B | |
| 25 | 4812117839 | Sealing strip | 1XL | C | |
| 26 | 4812117839 | Sealing strip | 1XL | D | |

Comments for Page: Engine hood module

(L)OCAL REMARKS

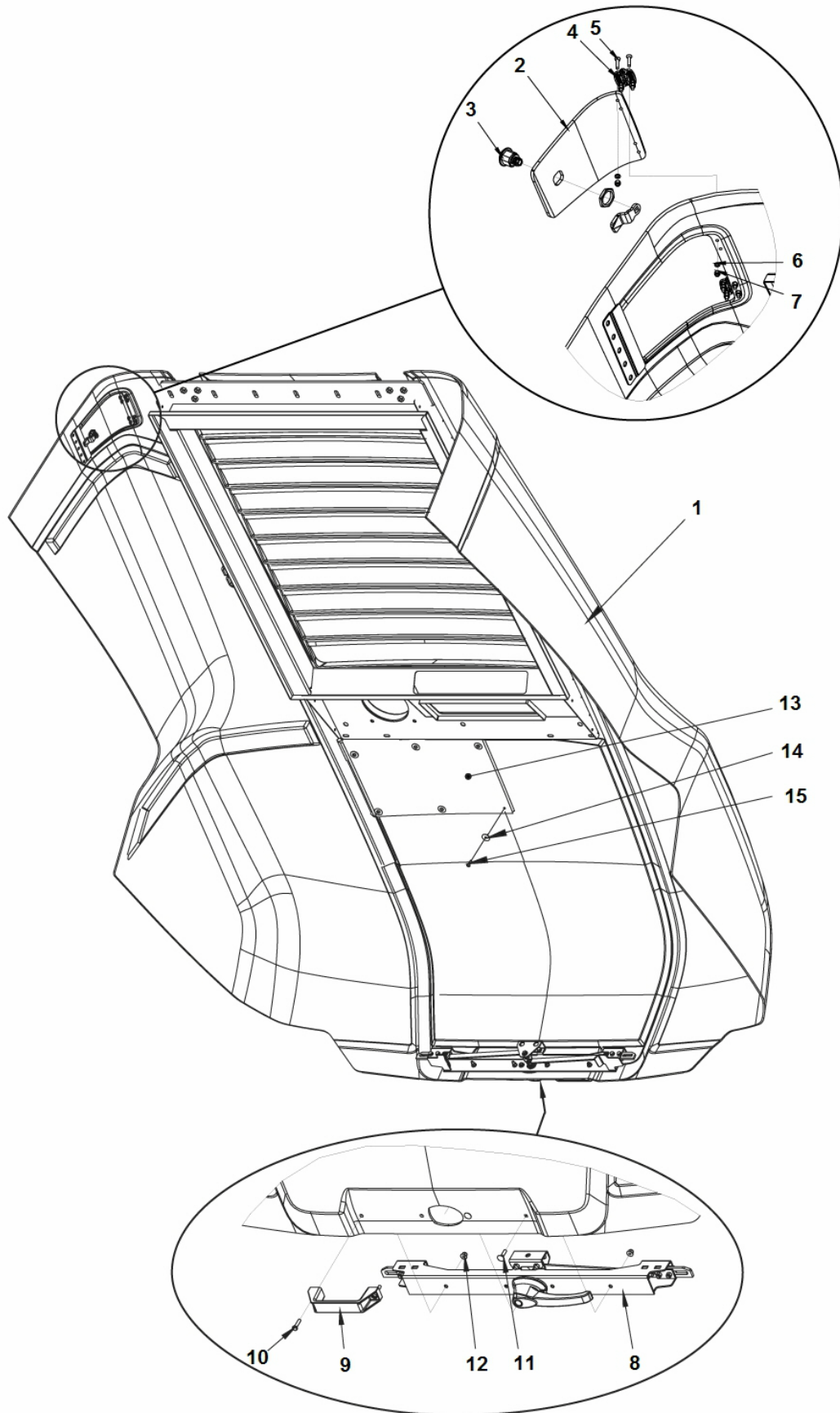
A | en_US | L= 1.99 m

B | en_US | L= 2.44 m

C | en_US | L= 0.76 m

D | en_US | L= 0.21 m

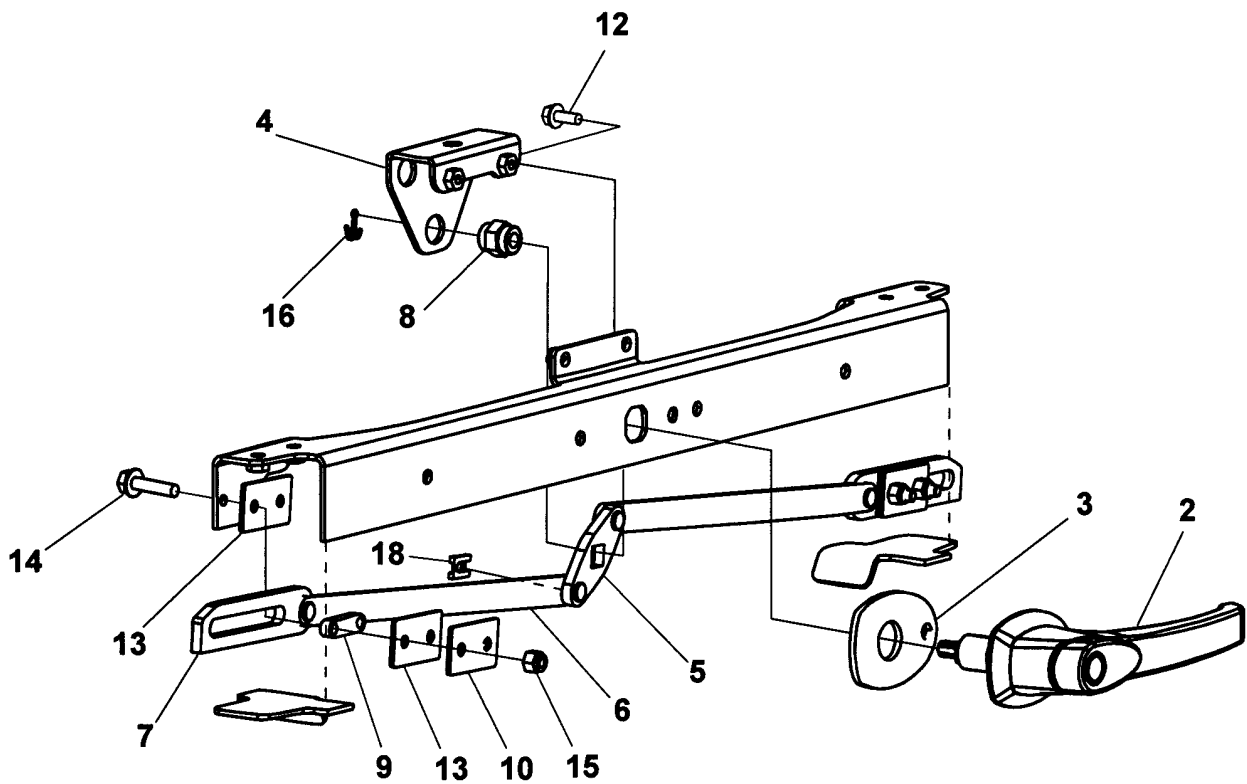
Frame Engine hood mount



Refer to Parts Online for the most up to date information. The printed information might be outdated.

Fri Dec 11 01:17:12 MST 2015

| Item | Part No. | Name | Qty | L | SN INFO |
|------|------------|------------------------------|-----|---|---------|
| 1 | 4812120722 | Engine hood, cpl | 1 | | |
| 2 | 4812120724 | Cover | 1 | | |
| 3 | 4812112834 | Lock | 1 | | |
| 3 | 4700902866 | Key Marked "455" | 2 | | |
| 4 | 4812116862 | Hinge | 2 | | |
| 5 | 4812118976 | Hex.sock.flat head cap screw | 8 | | |
| 6 | 4700904698 | Steel plain washer | 8 | | |
| 7 | 4700923976 | Lock nut | 8 | | |
| 8 | 4812118994 | Lock handle, cpl | 1 | | |
| 9 | 4812112404 | Grab handle | 1 | | |
| 10 | 4700500075 | Screw, M6-1,0x25 mm 8.8 | 2 | | |
| 11 | 4700903923 | Cup square neck bolt | 2 | | |
| 12 | 4700902285 | Nut | 4 | | |
| 13 | 4812121090 | Heat protection | 1 | | |
| 14 | 4700615065 | Steel plain washer | 6 | | |
| 15 | 4812121152 | Tapping screw st | 6 | | |

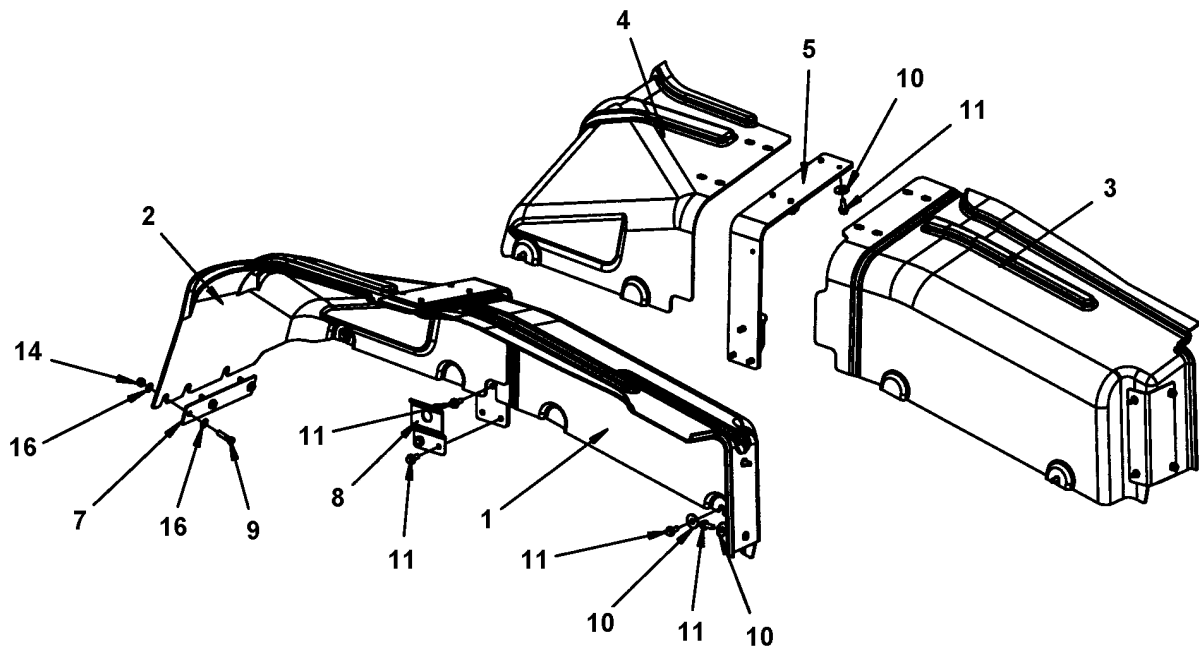
Frame 4812118994 Lock handle, cpl

Refer to Parts Online for the most up to date information. The printed information might be outdated.

Fri Dec 11 01:17:13 MST 2015

| Item | Part No. | Name | Qty | L | SN INFO |
|------|------------|----------------------------------|-----|---|---------|
| - | 4812118994 | Lock handle, cpl | 1 | | |
| 2 | 4812112403 | Lock handle | 1 | | |
| 2 | 4700902866 | Key Marked "455" | 1 | | |
| 3 | 4812114828 | Spacer washer | 1 | | |
| 4 | 4812118989 | Holder | 1 | | |
| 5 | 4812114829 | Coupling link | 1 | | |
| 6 | 4812114830 | Lock lever | 2 | | |
| 7 | 4812112843 | Lock lever | 2 | | |
| 8 | 4812114831 | Lock nut | 1 | | |
| 9 | 4812112884 | Slide plate | 2 | | |
| 10 | 4812116793 | Thrust washer | 2 | | |
| 12 | 4700792119 | Screw, M6x16 mm 8.8 A2K | 2 | | |
| 13 | 4812116792 | Slide plate | 4 | | |
| 14 | 4700500502 | Hexagon screw with flange M6 -25 | 4 | | |
| 15 | 4700586002 | Lock nut M6 -8 | 4 | | |
| 16 | 4700630003 | Split pin | 1 | | |
| 18 | 4812117473 | Locking clip for shaft | 4 | | |

Frame Fender module

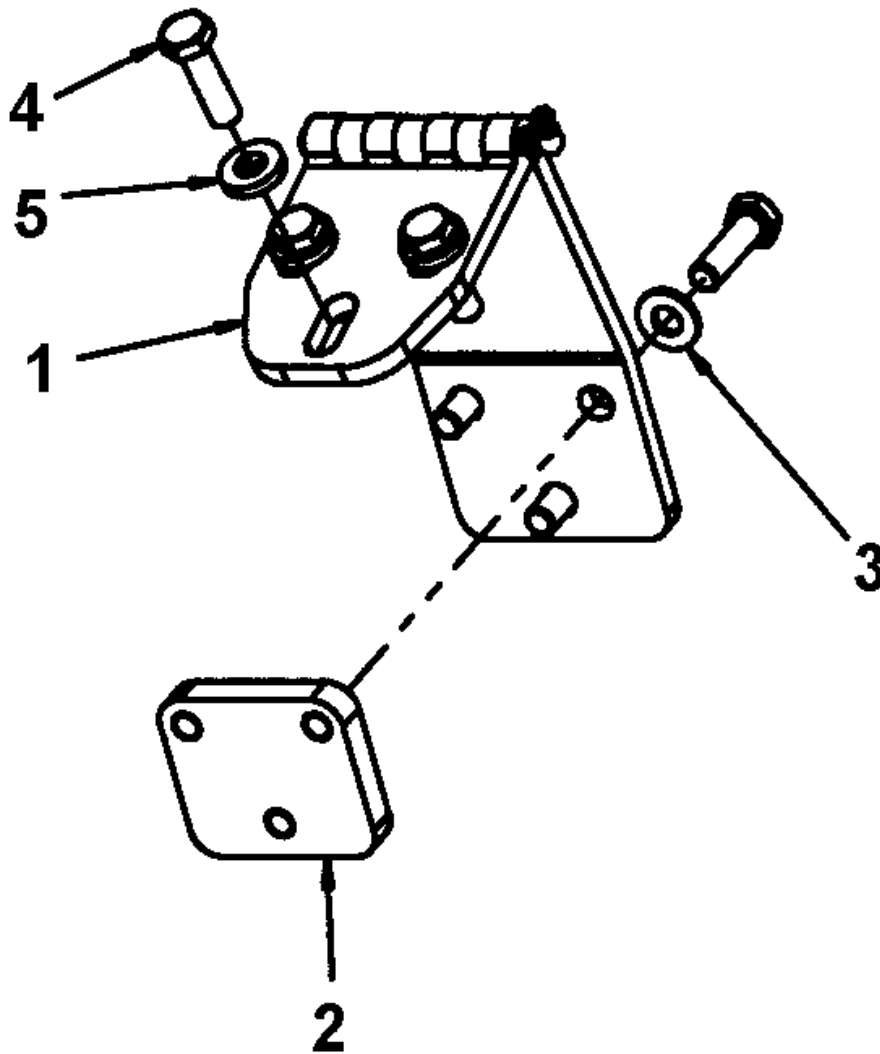


Refer to Parts Online for the most up to date information. The printed information might be outdated.

Fri Dec 11 01:17:13 MST 2015

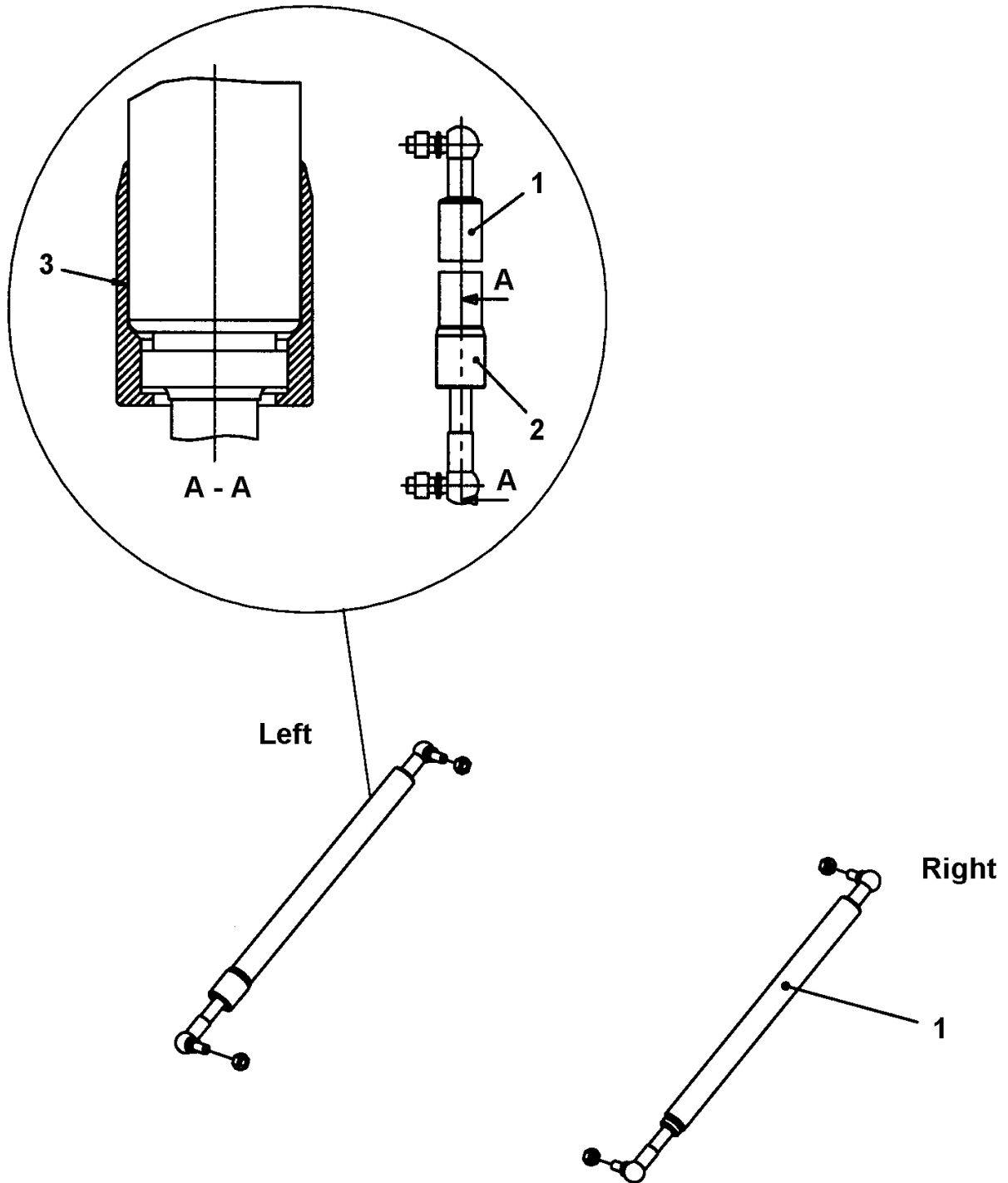
| Item | Part No. | Name | Qty | L | SN INFO |
|------|------------|----------------------------|-----|---|---------|
| 1 | 4812115066 | Fender | 1 | | |
| 2 | 4812115067 | Fender | 1 | | |
| 3 | 4812115068 | Fender | 1 | | |
| 4 | 4812115069 | Fender | 1 | | |
| 5 | 4812115022 | Bracket | 2 | | |
| 7 | 4812115723 | Bracket | 2 | | |
| 8 | 4812116308 | Bracket | 2 | | |
| 9 | 4700500031 | Screw | 6 | | |
| 10 | 4700615061 | Steel plain washer | 16 | | |
| 11 | 4700500509 | Screw, M10x25, 8.8 | 22 | | |
| 14 | 4700586018 | Lock nut, M10 | 5 | | |
| 16 | 4700904230 | Washer 10.5x22x2 mm 300 HV | 11 | | |

Frame Hinge module



| Item | Part No. | Name | Qty | L | SN INFO |
|------|------------|-----------------------------|-----|---|---------|
| 1 | 4812112402 | Hinge | 2 | | |
| 2 | 4700374799 | Holder plate | 2 | | |
| 3 | 4700904230 | Washer 10.5x22x2 mm 300 HV | 6 | | |
| 4 | 4700500030 | Hexagon head screw M | 12 | | |
| 5 | 4700904557 | Washer, 10.5x22x4 mm 300 HV | 6 | | |

Frame Gas spring module



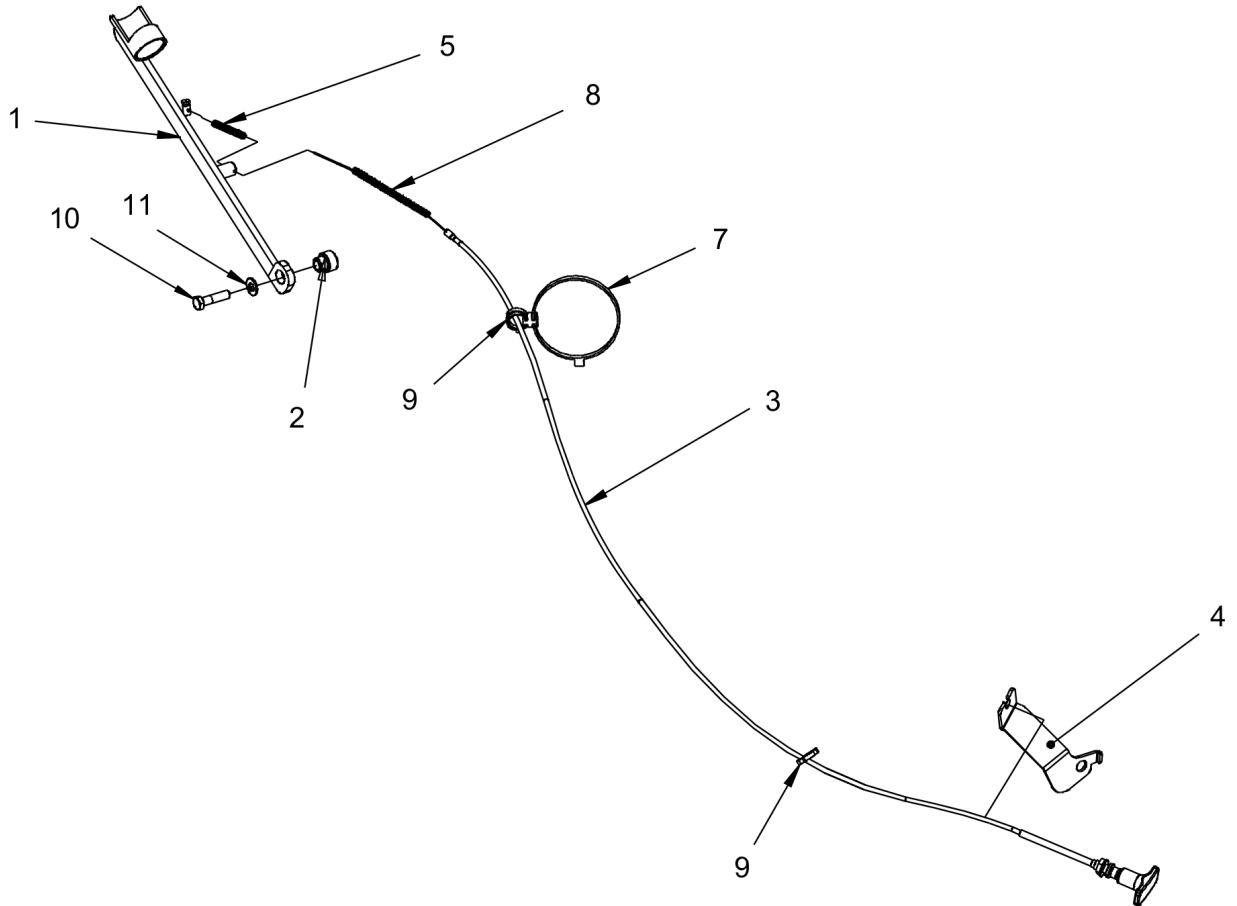
| Item | Part No. | Name | Qty | L | SN INFO |
|------|------------|-----------------------|-----|---|---------|
| 1 | 4812112405 | Gas spring | 2 | | |
| 2 | 4700382383 | Gas spring protection | 1 | A | |
| 3 | - | Loctite 638 | N | | |

Comments for Page: Gas spring module

(L)OCAL REMARKS

A | en_US | Only on left side.

Frame Safety link module

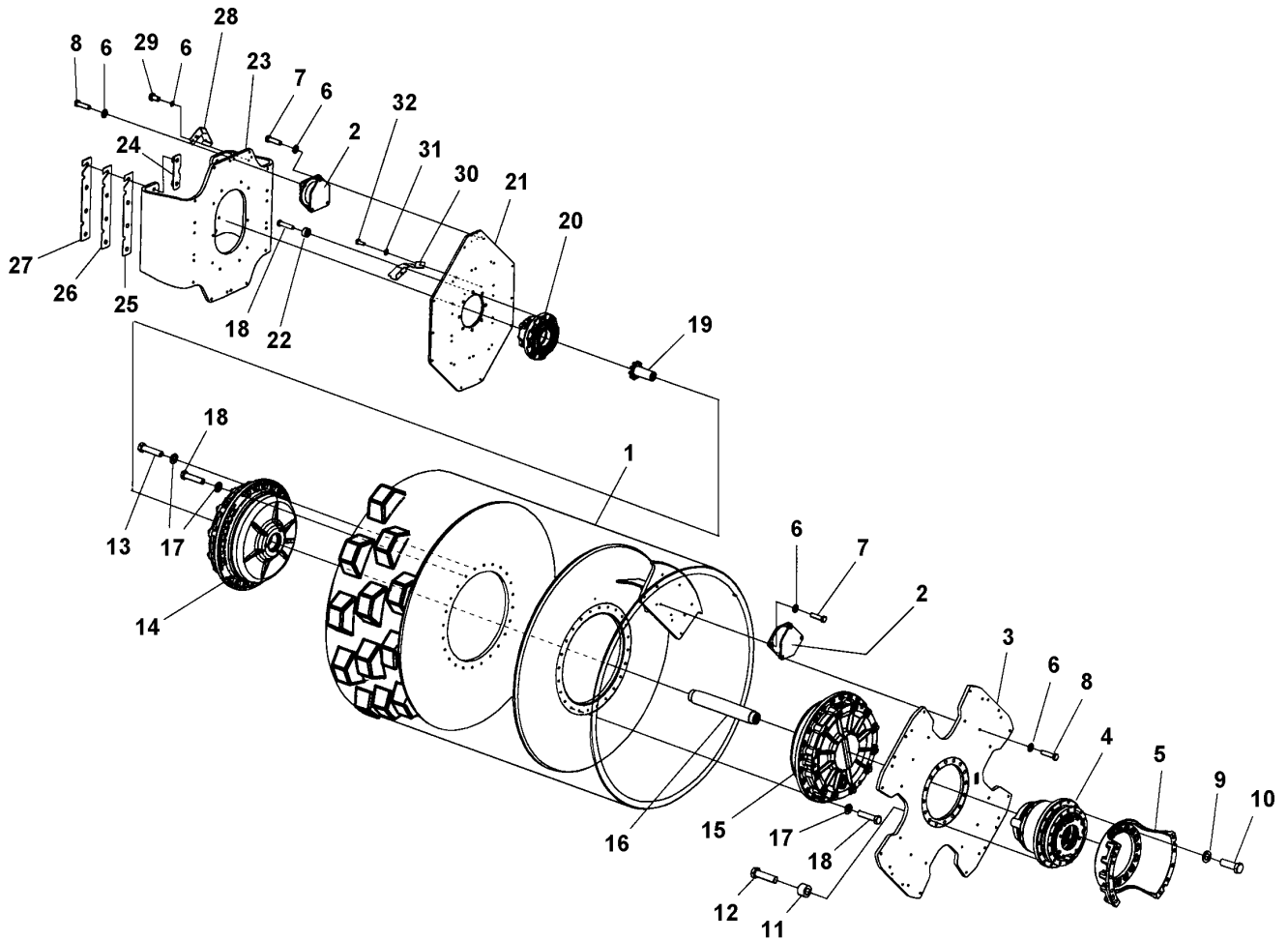


Refer to Parts Online for the most up to date information. The printed information might be outdated.

Fri Dec 11 01:17:14 MST 2015

| Item | Part No. | Name | Qty | L | SN INFO |
|------|------------|----------------------------|-----|---|---------|
| 1 | 4812112736 | Safety link | 1 | | |
| 2 | 4812112952 | Spacer | 1 | | |
| 3 | 4812112950 | Control wire | 1 | | |
| 4 | 4812118853 | Bracket | 1 | | |
| 5 | 4811000462 | Compression spring | 1 | | |
| 7 | 4812117248 | Cable tie with holder | 1 | | |
| 8 | 4812121201 | Compression spring | 1 | | |
| 9 | 4700313041 | Cable tie | 2 | | |
| 10 | 4700500031 | Screw | 1 | | |
| 11 | 4700904230 | Washer 10.5x22x2 mm 300 HV | 1 | | |

Drum Drum, cpl



Refer to Parts Online for the most up to date information. The printed information might be outdated.

Fri Dec 11 01:17:15 MST 2015

| Item | Part No. | Name | Qty | L | SN INFO |
|------|------------|---|-----|------|---------|
| 1 | 4812112043 | Drum | 1 | | |
| 1 | 4812112044 | Drum, pad | 1 | | |
| 2 | 4812111046 | Shock absorber | 22 | | |
| 3 | 4812112111 | Driving disc | 1 | | |
| 4 | 4812111831 | Drum gear, cpl | 1 | | |
| 5 | 4812111167 | Bracket | 1 | | |
| 6 | 4700904231 | Steel plain washer, 13x24x2 mm 300 HV | 134 | | |
| 7 | 4812110642 | Hexagon screw w Tuflok M12x45 10.9 GEOMET | 66 | | |
| 8 | 4812110644 | Hexagon screw w Tuflok M12x50 10.9 GEOMET | 66 | | |
| 9 | 4700904233 | Steel plain washer 21x36x3 | 16 | | |
| 10 | 4700929409 | Hexagon head screw | 16 | | |
| 11 | 4812114777 | Spacer | 16 | | |
| 12 | 4700500287 | Screw M20x80 10,9 | 16 | | |
| 13 | 4700384121 | Air breather screw | 1 | | |
| 14 | 4812157393 | Drum cartridge, vibration side (D/PD version) | 1 | A, B | |
| 14 | 4812157394 | Drum cartridge, vibration side (VM/VP 3-class) | 1 | C | |
| 14 | 4812157784 | Drum cartridge with shaft nut, vibration side (D/PD version) | 1 | A, B | |
| 14 | 4812157785 | Drum cartridge with shaft nut, vibration side (VM/VP 3-class) | 1 | C | |
| 15 | 4812157390 | Drum cartridge, drive side (D/PD version) | 1 | A, B | |
| 15 | 4812157391 | Drum cartridge, drive side (VM/VP 3-class) | 1 | C | |
| 16 | 4812112465 | Drive shaft | 1 | | |
| 17 | 4700904232 | Steel plain washer | 48 | | |
| 18 | 4700500082 | Screw M16x70 8.8 | 55 | | |
| 19 | - | Tooth wheel module | 1 | | |
| 20 | - | Vibration motor adapter | 1 | | |
| 21 | 4812114969 | Bracket | 1 | | |
| 22 | 4700384114 | Spacer | 8 | | |
| 23 | 4812114971 | Bracket | 1 | | |
| 24 | 4812112438 | Nut-plate | 4 | | |
| 25 | 4812113168 | Shim t = 1 mm | N | | |
| 26 | 4812113169 | Shim t = 3 mm | N | | |
| 27 | 4812113170 | Shim t = 5 mm | N | | |
| 28 | 4812113090 | Bracket | 1 | | |
| 29 | 4700500035 | Hexagon screw, M12x20H | 2 | | |
| 30 | 4812116029 | Protective casing | 1 | | |
| 31 | 4700904556 | Steel plain washer | 2 | | |
| 32 | 4700500053 | Screw, M8x20 mm 8.8 A2K | 2 | | |

Refer to Parts Online for the most up to date information. The printed information might be outdated.

Fri Dec 11 01:17:16 MST 2015

Comments for Page: Drum, cpl

(L)OCAL REMARKS

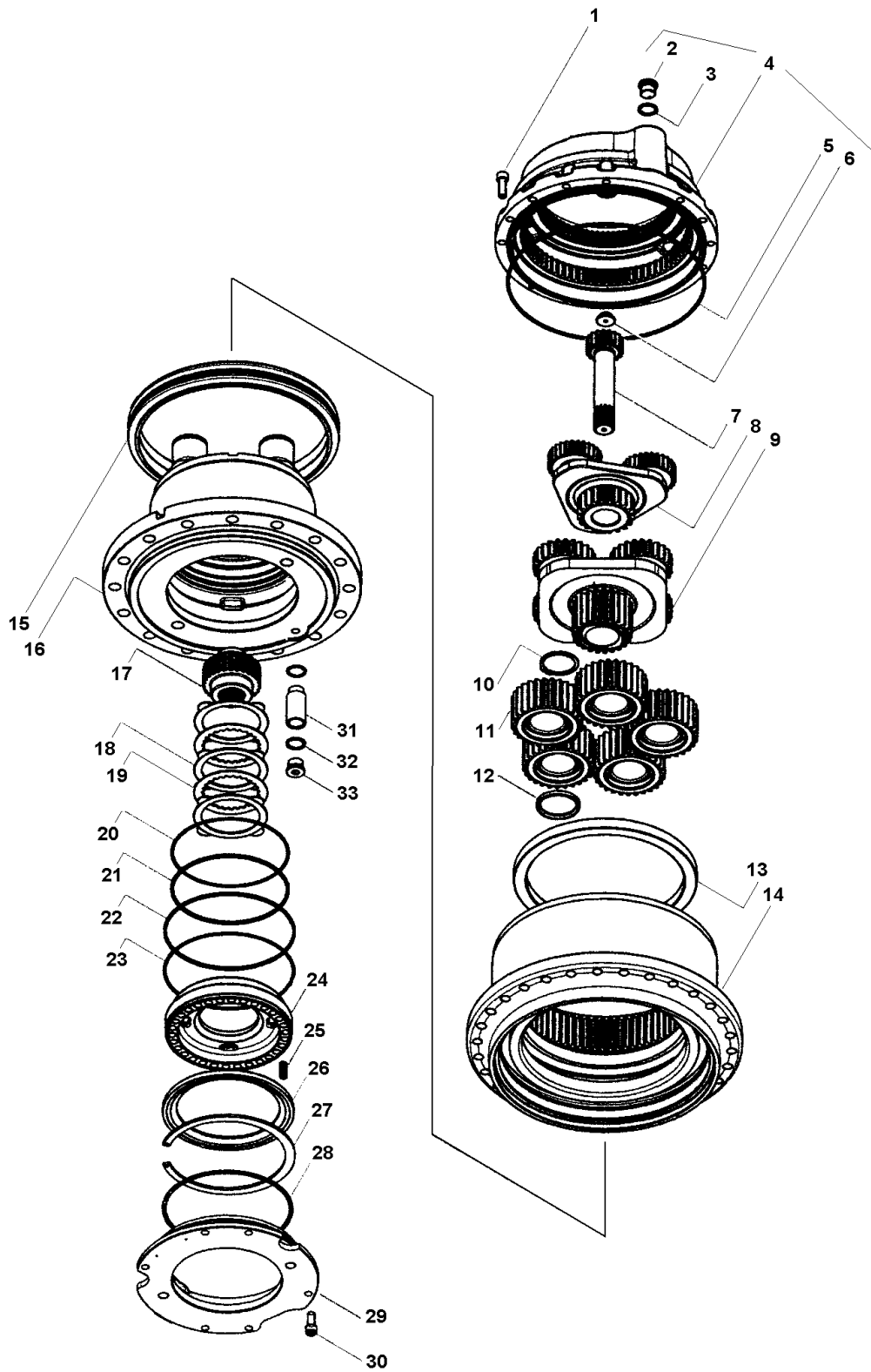
A | en_US | For D machines.

B | en_US | For PD machines.

C | en_US | For VM 3-class machines, option.

This page intentionally left blank

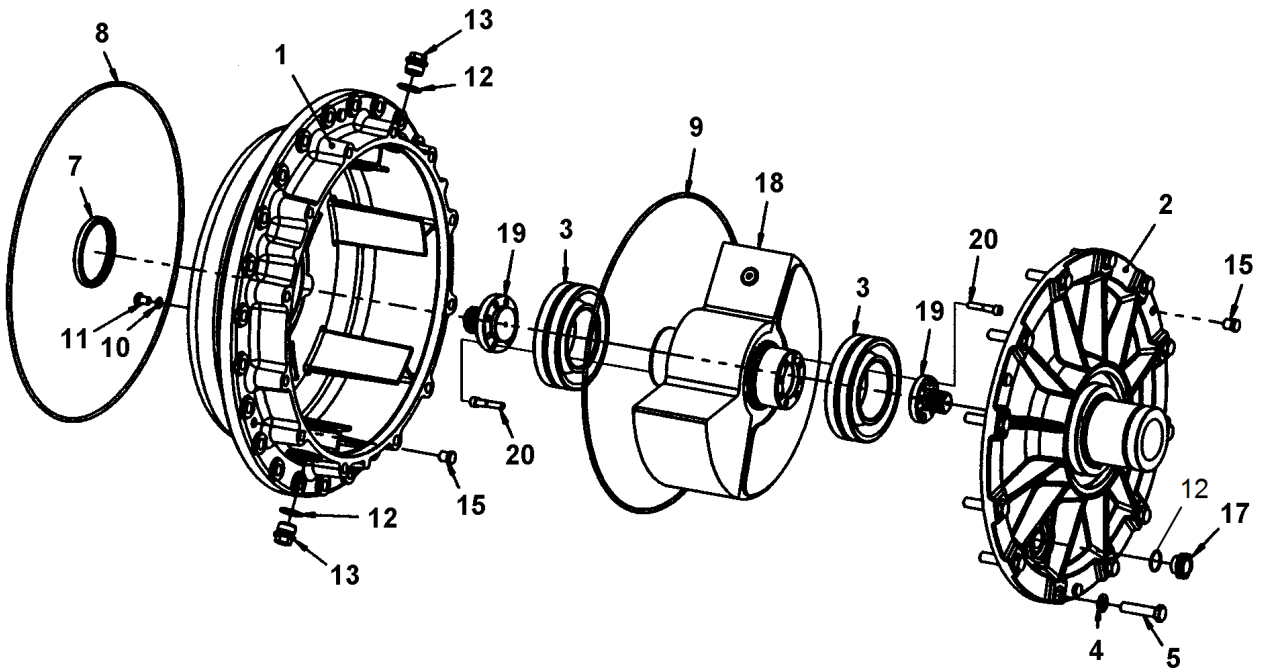
Drum 4812111831 Drum gear, cpl



Refer to Parts Online for the most up to date information. The printed information might be outdated.

Fri Dec 11 01:17:16 MST 2015

| Item | Part No. | Name | Qty | L | SN INFO |
|------|------------|-----------------------|-----|---|---------|
| 1 | - | Screw | 13 | | |
| 2 | - | Oil breather plug | 2 | | |
| 3 | - | Wascher | 2 | | |
| 4 | - | Cover assembly | 1 | | |
| 5 | 4812157157 | O-ring | 1 | | |
| 6 | - | Pad | 1 | | |
| 7 | - | Sun gear | 1 | | |
| 8 | - | 1st Red assembly | 1 | | |
| 9 | - | 2nd red assembly | 1 | | |
| 10 | - | Circlip | 5 | | |
| 11 | - | Planetary assembly | 5 | | |
| 12 | - | Spacer | 5 | | |
| 13 | - | Nut | 1 | | |
| 14 | 4812157158 | Housing and bearing | 1 | | |
| 15 | 4812157159 | Lifetime seal | 1 | | |
| 16 | - | Hub | 1 | | |
| 17 | - | Brake shaft | 1 | | |
| 18 | - | Sintered disc | 7 | | |
| 19 | - | Steel disc | 6 | | |
| 20 | - | Backup ring | 1 | | |
| 21 | 4812157160 | O-ring | 1 | | |
| 22 | 4812157161 | O-ring | 1 | | |
| 23 | - | Backup ring | 1 | | |
| 24 | - | Brake piston | 1 | | |
| 25 | - | Spring | 17 | | |
| 26 | - | Spring retainer plati | 1 | | |
| 27 | - | Circlip | 1 | | |
| 28 | 4812157162 | O-ring | 1 | | |
| 29 | - | Motor adaptor | 1 | | |
| 30 | - | Screw | 6 | | |
| 31 | - | Extension | 1 | | |
| 32 | - | Wascher | 4 | | |
| 33 | - | Plug | 3 | | |

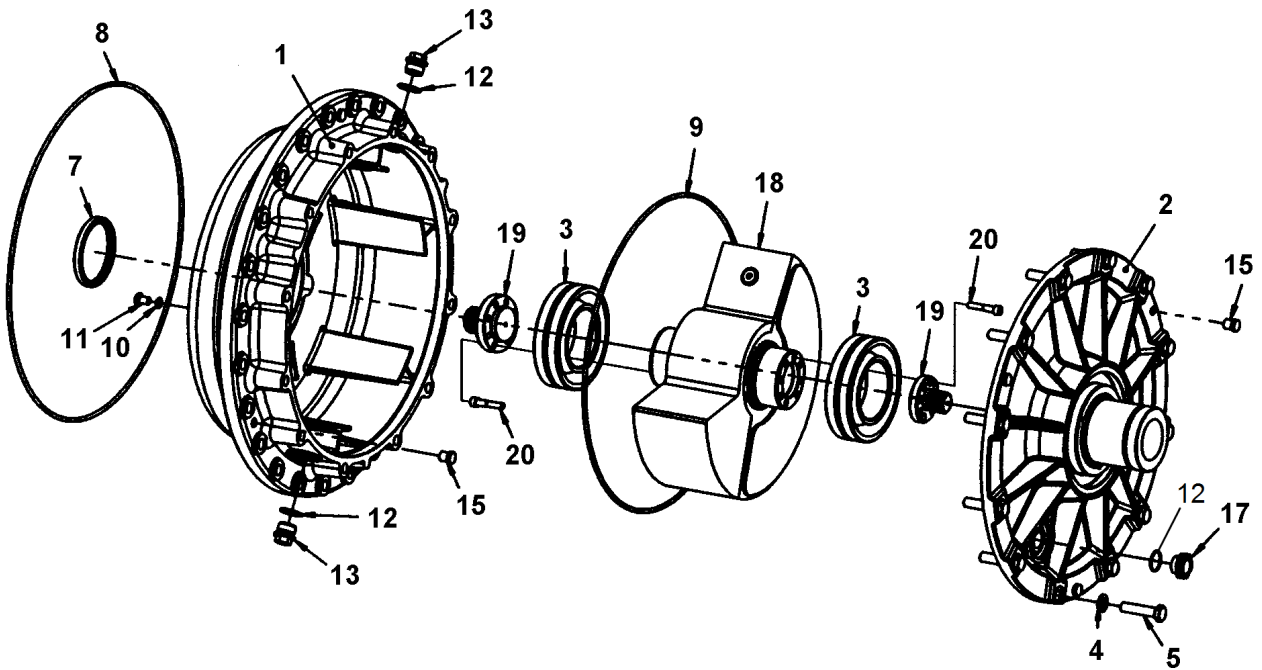
Drum cartridges (D-version) 4812157393 Drum cartridge, vibration side (D/PD version)

Refer to Parts Online for the most up to date information. The printed information might be outdated.

Fri Dec 11 01:17:17 MST 2015

| Item | Part No. | Name | Qty | L | SN INFO |
|------|------------|--------------------------|-----|---|---------|
| 1 | 4812112784 | Housing | 1 | | |
| 2 | 4812112455 | Bearing housing | 1 | | |
| 3 | 4700390896 | Spherical roller bearing | 2 | | |
| 4 | 4700904232 | Steel plain washer | 12 | | |
| 5 | 4700500082 | Screw M16x70 8.8 | 12 | | |
| 7 | 4700900782 | Seal ring | 1 | | |
| 8 | 4700900776 | O-ring | 1 | | |
| 9 | 4700900776 | O-ring | 1 | | |
| 10 | 4700162027 | Sealing | 3 | | |
| 11 | 4700500163 | Hex. screw | 3 | | |
| 12 | 4700162017 | Seal ring | 3 | | |
| 13 | 4700343744 | Magnetic plug | 1 | | |
| 15 | 4700900775 | Plug | 6 | | |
| 17 | 4812118814 | Oil level glass | 1 | | |
| 18 | 4812112138 | Eccentric shaft | 1 | | |
| 19 | 4700380018 | Splined shaft | 2 | | |
| 20 | 4700791156 | Screw M10-1,5x55 12,9 | 16 | | |

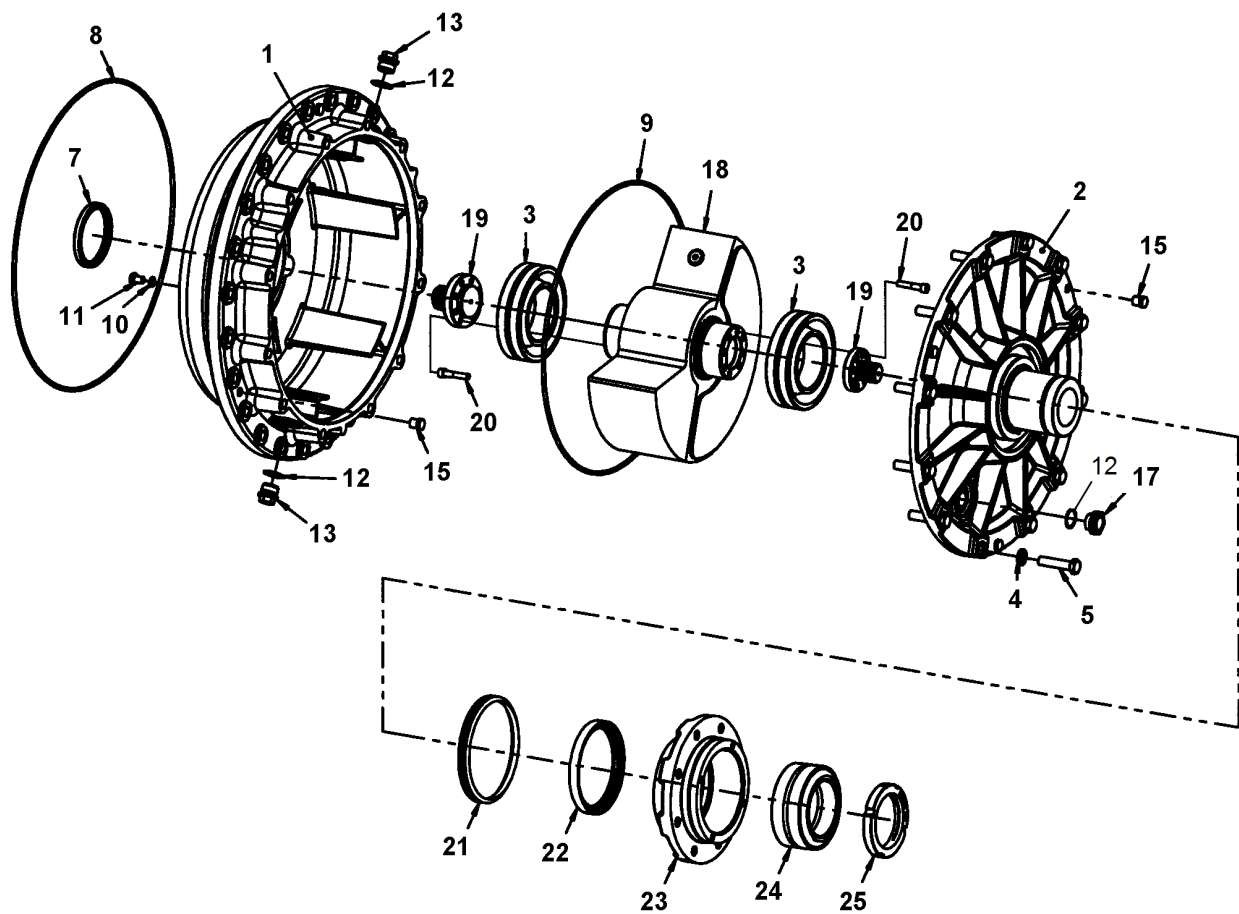
Drum cartridges (D-version) 4812157394 Drum cartridge, vibration side (VM/VP 3-class)



Refer to Parts Online for the most up to date information. The printed information might be outdated.

Fri Dec 11 01:17:18 MST 2015

| Item | Part No. | Name | Qty | L | SN INFO |
|------|------------|--------------------------|-----|---|---------|
| 1 | 4812112784 | Housing | 1 | | |
| 2 | 4812112455 | Bearing housing | 1 | | |
| 3 | 4700390896 | Spherical roller bearing | 2 | | |
| 4 | 4700904232 | Steel plain washer | 12 | | |
| 5 | 4700500082 | Screw M16x70 8.8 | 12 | | |
| 7 | 4700900782 | Seal ring | 1 | | |
| 8 | 4700900776 | O-ring | 1 | | |
| 9 | 4700900776 | O-ring | 1 | | |
| 10 | 4700162027 | Sealing | 3 | | |
| 11 | 4700500163 | Hex. screw | 3 | | |
| 12 | 4700162017 | Seal ring | 3 | | |
| 13 | 4700343744 | Magnetic plug | 1 | | |
| 15 | 4700900775 | Plug | 6 | | |
| 17 | 4812118814 | Oil level glass | 1 | | |
| 18 | 4812112139 | Eccentric shaft | 1 | | |
| 19 | 4700380018 | Splined shaft | 2 | | |
| 20 | 4700791156 | Screw M10-1,5x55 12,9 | 16 | | |

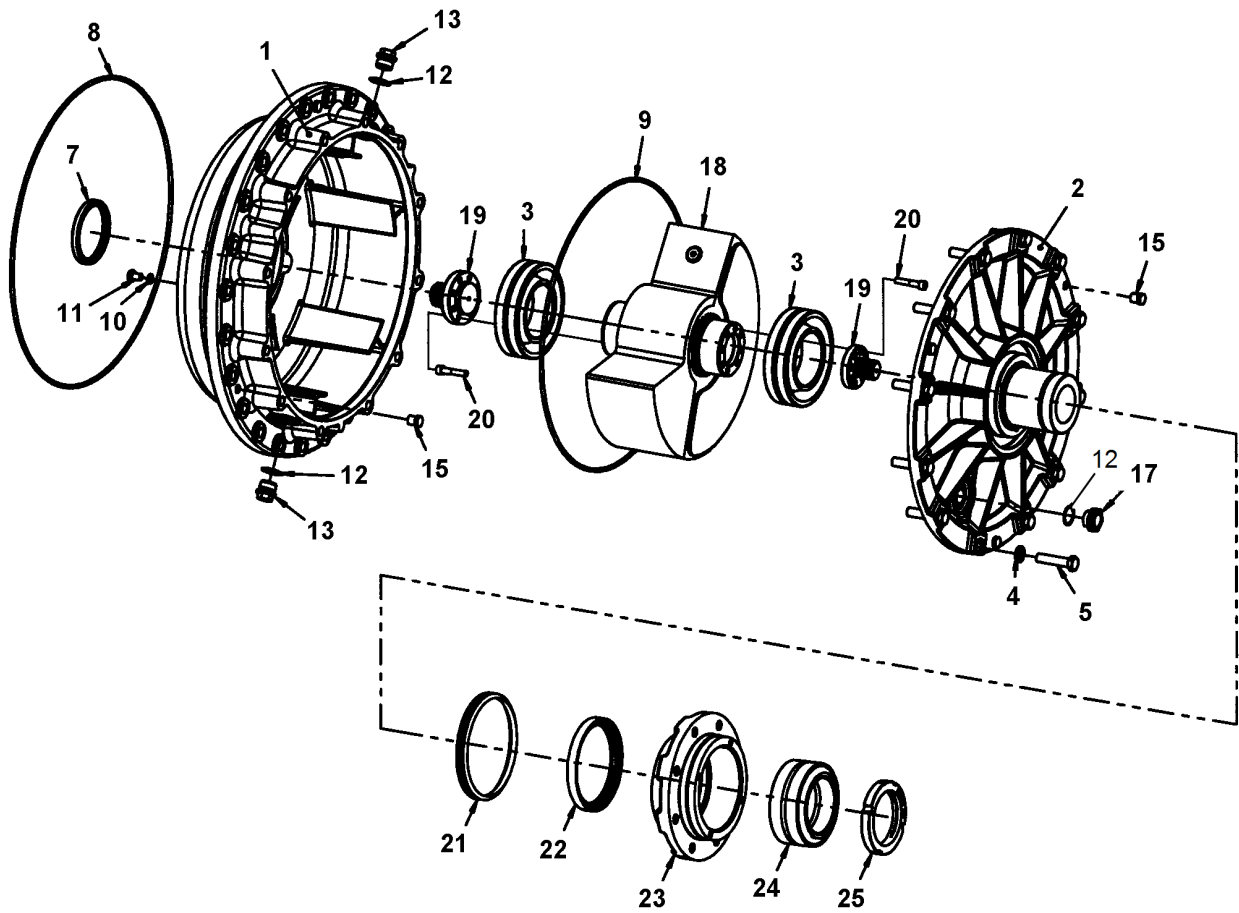
Drum cartridges (D-version) 4812157784 Drum cartridge with shaft nut, vibration side (D/PD version)

Refer to Parts Online for the most up to date information. The printed information might be outdated.

Fri Dec 11 01:17:19 MST 2015

| Item | Part No. | Name | Qty | L | SN INFO |
|------|------------|--------------------------|-----|---|---------|
| 1 | 4812112784 | Housing | 1 | | |
| 2 | 4812112455 | Bearing housing | 1 | | |
| 3 | 4700390896 | Spherical roller bearing | 2 | | |
| 4 | 4700904232 | Steel plain washer | 12 | | |
| 5 | 4700500082 | Screw M16x70 8.8 | 12 | | |
| 7 | 4700900782 | Seal ring | 1 | | |
| 8 | 4700900776 | O-ring | 1 | | |
| 9 | 4700900776 | O-ring | 1 | | |
| 10 | 4700162027 | Sealing | 3 | | |
| 11 | 4700500163 | Hex. screw | 3 | | |
| 12 | 4700162017 | Seal ring | 3 | | |
| 13 | 4700343744 | Magnetic plug | 1 | | |
| 15 | 4700900775 | Plug | 6 | | |
| 17 | 4812118814 | Oil level glass | 1 | | |
| 18 | 4812112138 | Eccentric shaft | 1 | | |
| 19 | 4700380018 | Splined shaft | 2 | | |
| 20 | 4700791156 | Screw M10-1,5x55 12,9 | 16 | | |
| 21 | 4700929447 | V-ring | 1 | | |
| 22 | 4700167023 | Seal ring | 1 | | |
| 23 | 4700343318 | Bearing housing | 1 | | |
| 24 | 4700116041 | Taper roller bearing | 1 | | |
| 25 | 4812112413 | Shaft nut | 1 | | |

Drum cartridges (D-version) 4812157785 Drum cartridge with shaft nut, vibration side (VM/VP 3-class)

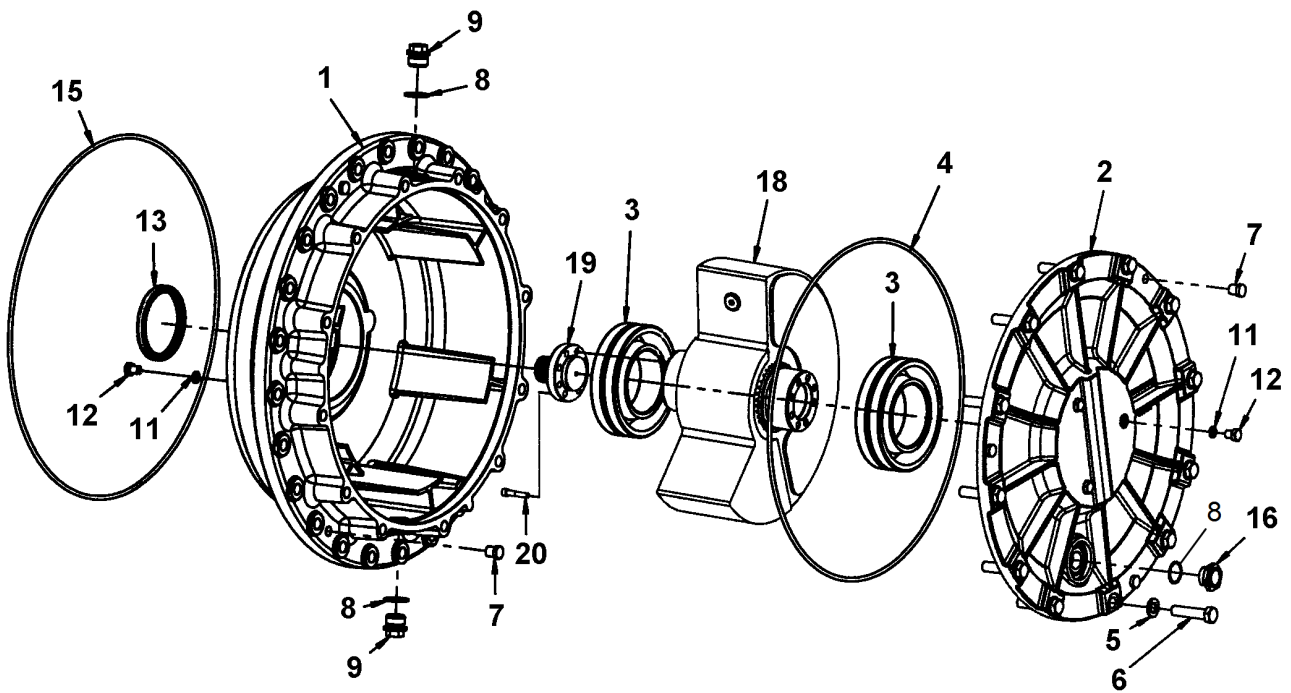


Refer to Parts Online for the most up to date information. The printed information might be outdated.

Fri Dec 11 01:17:19 MST 2015

| Item | Part No. | Name | Qty | L | SN INFO |
|------|------------|--------------------------|-----|---|---------|
| 1 | 4812112784 | Housing | 1 | | |
| 2 | 4812112455 | Bearing housing | 1 | | |
| 3 | 4700390896 | Spherical roller bearing | 2 | | |
| 4 | 4700904232 | Steel plain washer | 12 | | |
| 5 | 4700500082 | Screw M16x70 8.8 | 12 | | |
| 7 | 4700900782 | Seal ring | 1 | | |
| 8 | 4700900776 | O-ring | 1 | | |
| 9 | 4700900776 | O-ring | 1 | | |
| 10 | 4700162027 | Sealing | 3 | | |
| 11 | 4700500163 | Hex. screw | 3 | | |
| 12 | 4700162017 | Seal ring | 3 | | |
| 13 | 4700343744 | Magnetic plug | 1 | | |
| 15 | 4700900775 | Plug | 6 | | |
| 17 | 4812118814 | Oil level glass | 1 | | |
| 18 | 4812112139 | Eccentric shaft | 1 | | |
| 19 | 4700380018 | Splined shaft | 2 | | |
| 20 | 4700791156 | Screw M10-1,5x55 12,9 | 16 | | |
| 21 | 4700929447 | V-ring | 1 | | |
| 22 | 4700167023 | Seal ring | 1 | | |
| 23 | 4700343318 | Bearing housing | 1 | | |
| 24 | 4700116041 | Taper roller bearing | 1 | | |
| 25 | 4812112413 | Shaft nut | 1 | | |

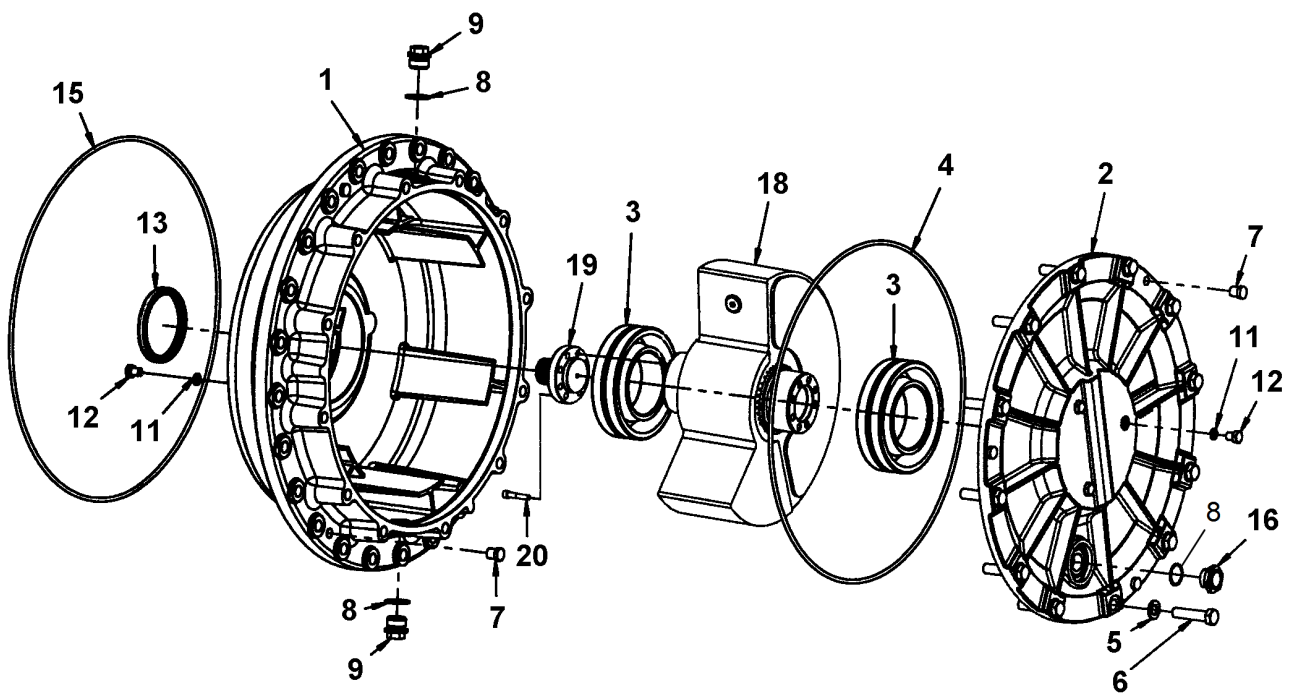
Drum cartridges (D-version) 4812157390 Drum cartridge, drive side (D/PD version)



Refer to Parts Online for the most up to date information. The printed information might be outdated.

Fri Dec 11 01:17:20 MST 2015

| Item | Part No. | Name | Qty | L | SN INFO |
|------|------------|--------------------------|-----|---|---------|
| 1 | 4812112784 | Housing | 1 | | |
| 2 | 4812111122 | Bearing housing | 1 | | |
| 3 | 4700390896 | Spherical roller bearing | 2 | | |
| 4 | 4700900776 | O-ring | 1 | | |
| 5 | 4700904232 | Steel plain washer | 12 | | |
| 6 | 4700500082 | Screw M16x70 8.8 | 12 | | |
| 7 | 4700900775 | Plug | 6 | | |
| 8 | 4700162017 | Seal ring | 3 | | |
| 9 | 4700343744 | Magnetic plug | 2 | | |
| 11 | 4700162027 | Sealing | 6 | | |
| 12 | 4700500163 | Hex. screw | 6 | | |
| 13 | 4700900782 | Seal ring | 1 | | |
| 15 | 4700900776 | O-ring | 1 | | |
| 16 | 4812118814 | Oil level glass | 1 | | |
| 18 | 4812112138 | Eccentric shaft | 1 | | |
| 19 | 4700380018 | Splined shaft | 1 | | |
| 20 | 4700791156 | Screw M10-1,5x55 12,9 | 8 | | |

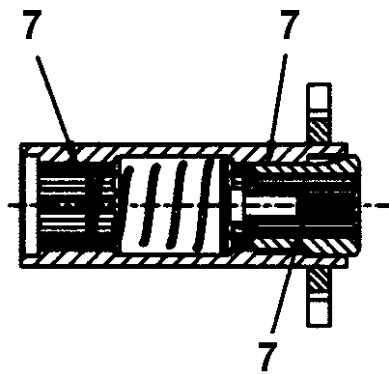
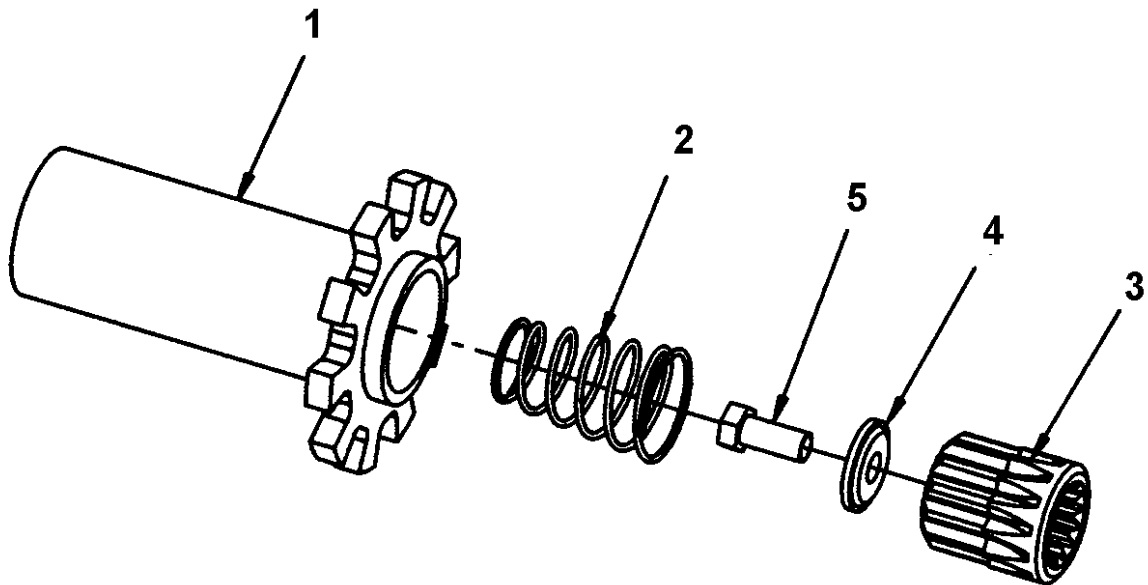
Drum cartridges (D-version) 4812157391 Drum cartridge, drive side (VM/VP 3-class)

Refer to Parts Online for the most up to date information. The printed information might be outdated.

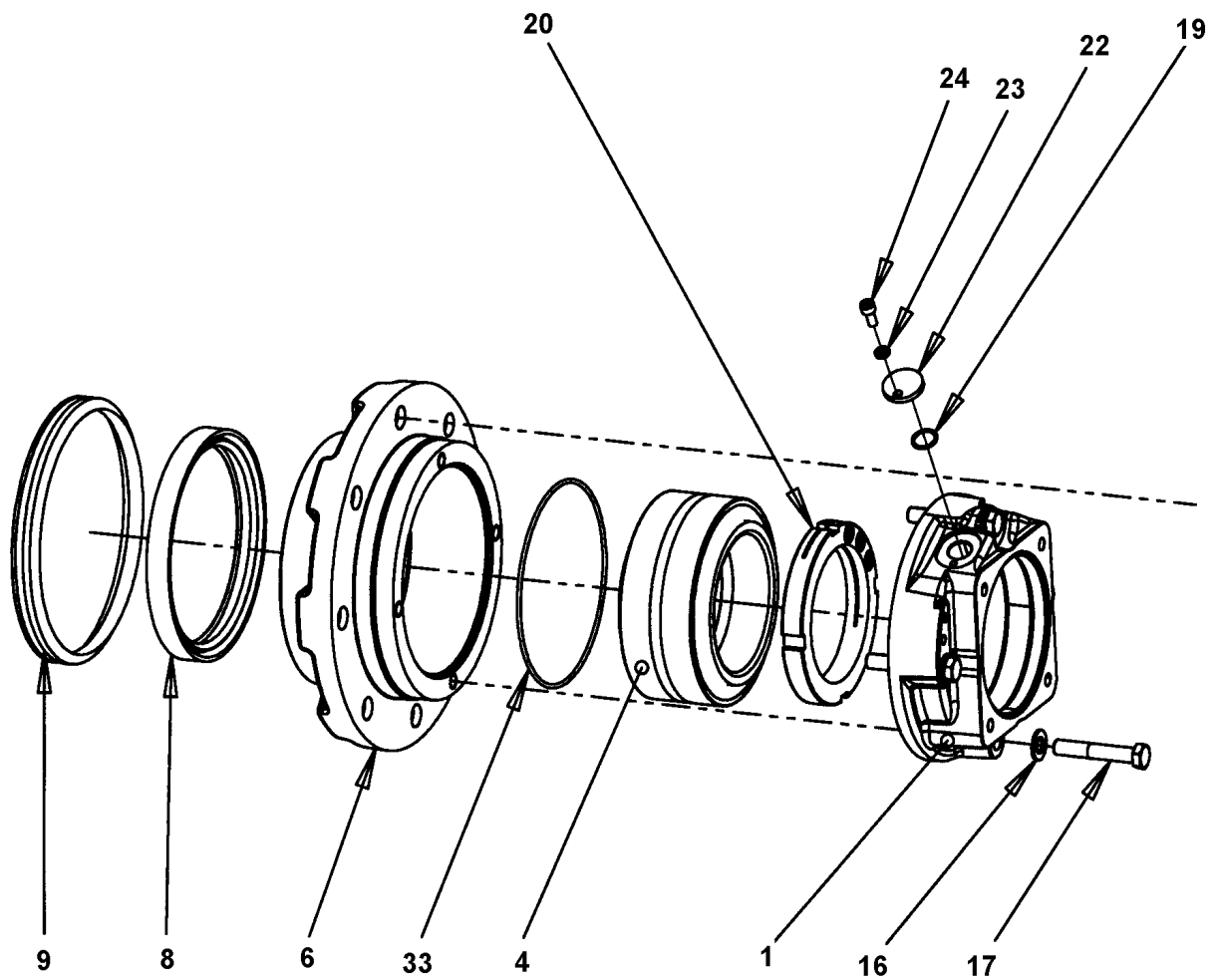
Fri Dec 11 01:17:21 MST 2015

| Item | Part No. | Name | Qty | L | SN INFO |
|------|------------|--------------------------|-----|---|---------|
| 1 | 4812112784 | Housing | 1 | | |
| 2 | 4812111122 | Bearing housing | 1 | | |
| 3 | 4700390896 | Spherical roller bearing | 2 | | |
| 4 | 4700900776 | O-ring | 1 | | |
| 5 | 4700904232 | Steel plain washer | 12 | | |
| 6 | 4700500082 | Screw M16x70 8.8 | 12 | | |
| 7 | 4700900775 | Plug | 6 | | |
| 8 | 4700162017 | Seal ring | 3 | | |
| 9 | 4700343744 | Magnetic plug | 2 | | |
| 11 | 4700162027 | Sealing | 6 | | |
| 12 | 4700500163 | Hex. screw | 6 | | |
| 13 | 4700900782 | Seal ring | 1 | | |
| 15 | 4700900776 | O-ring | 1 | | |
| 16 | 4812118814 | Oil level glass | 1 | | |
| 18 | 4812112139 | Eccentric shaft | 1 | | |
| 19 | 4700380018 | Splined shaft | 1 | | |
| 20 | 4700791156 | Screw M10-1,5x55 12,9 | 8 | | |

Drum Tooth wheel module



| Item | Part No. | Name | Qty | L | SN INFO |
|------|------------|-----------------------|-----|---|---------|
| 1 | 4812114223 | Wheel | 1 | | |
| 2 | 4700349715 | Spring | 1 | | |
| 3 | 4700340863 | Splined sleeve | 1 | | |
| 4 | 4812113832 | Washer | 1 | | |
| 5 | 4700502053 | Screw | 1 | | |
| 7 | 4812030096 | Dynapac Roller Grease | N | | |

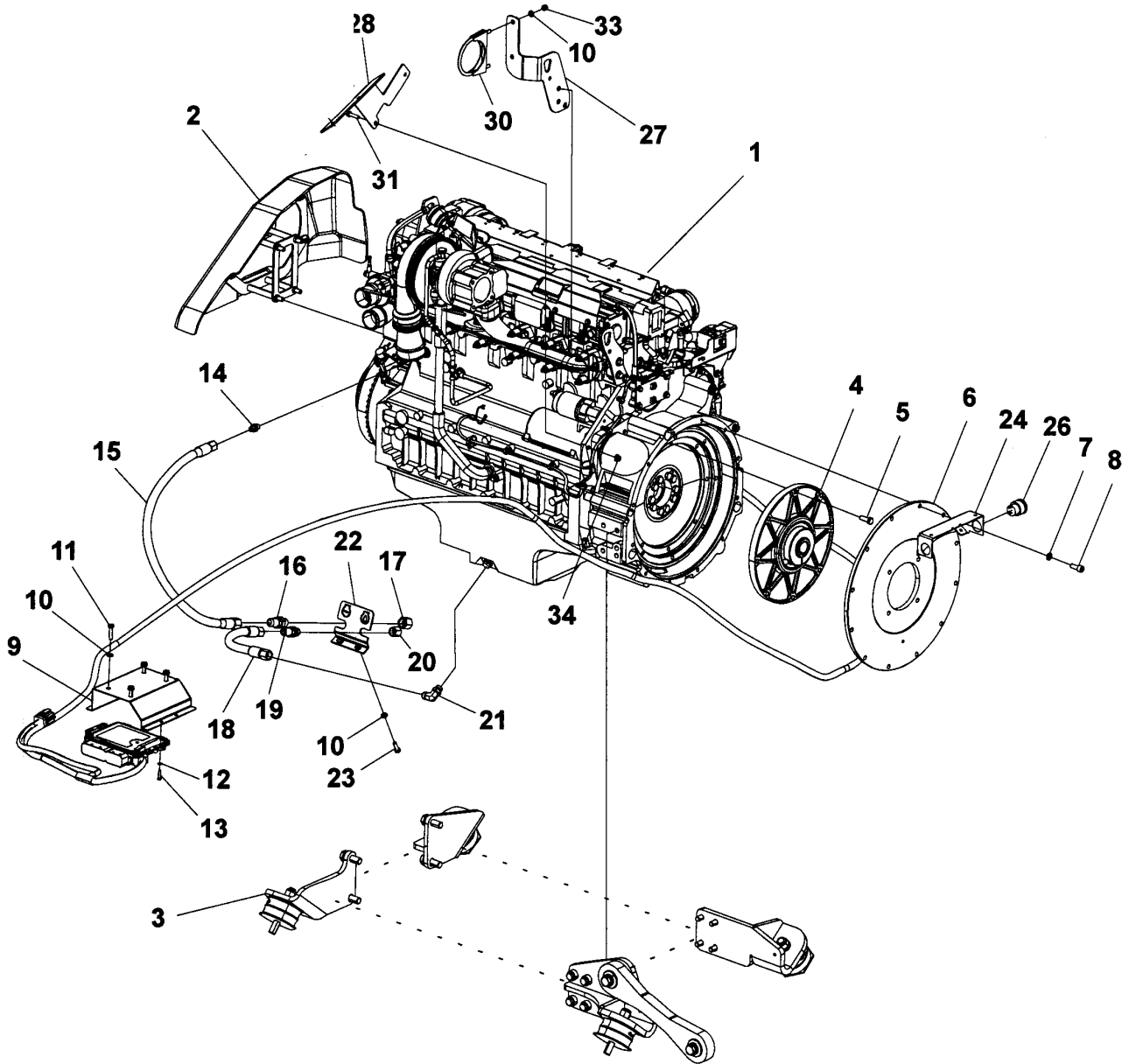
Drum Vibration motor adapter

Refer to Parts Online for the most up to date information. The printed information might be outdated.

Fri Dec 11 01:17:21 MST 2015

| Item | Part No. | Name | Qty | L | SN INFO |
|------|------------|---------------------------------------|-----|---|---------|
| 1 | 4812116023 | Adapter | 1 | | |
| 4 | 4700116041 | Taper roller bearing | 1 | | |
| 6 | 4700343318 | Bearing housing | 1 | | |
| 8 | 4700167023 | Seal ring | 1 | | |
| 9 | 4700929447 | V-ring | 1 | | |
| 16 | 4700904231 | Steel plain washer, 13x24x2 mm 300 HV | 4 | | |
| 17 | 4700500133 | Screw | 4 | | |
| 19 | 4812113903 | O-ring | 1 | | |
| 20 | 4812112413 | Shaft nut | 1 | | |
| 22 | 4812113476 | Plug | 1 | | |
| 23 | 4700904228 | Washer 6.4x12x1.5 mm 300 HV | 1 | | |
| 24 | 4700903795 | Hexagon socket head cap screw | 1 | | |
| 33 | 4700160105 | O-ring 70 | 1 | | |

Engine Engine

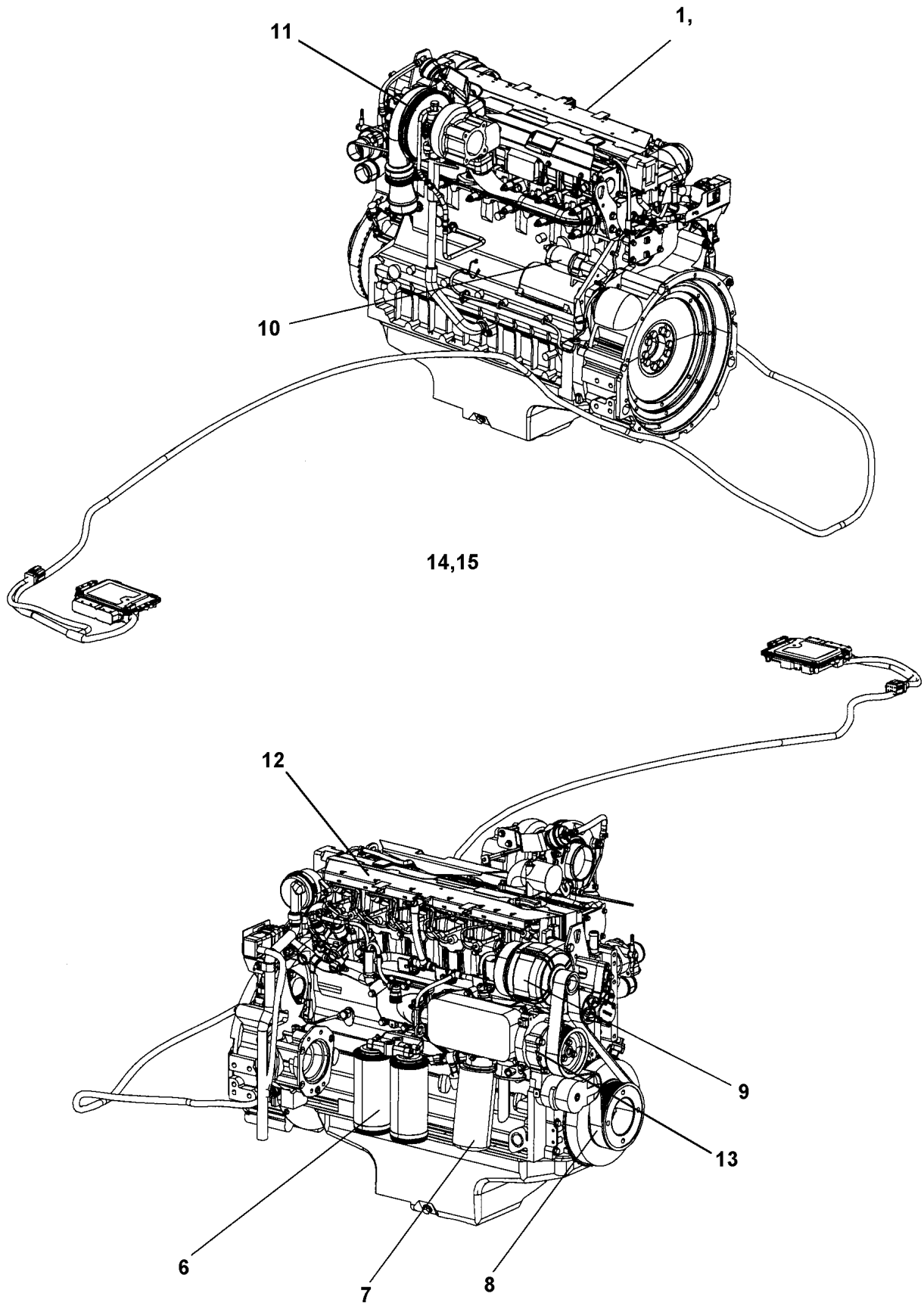


Refer to Parts Online for the most up to date information. The printed information might be outdated.

Fri Dec 11 01:17:23 MST 2015

| Item | Part No. | Name | Qty | L | SN INFO |
|------|------------|--------------------------------------|-----|---|---------|
| 1 | - | Diesel engine | 1 | | |
| 2 | - | Belt guard module | 1 | | |
| 3 | - | Bracket module | 1 | | |
| 4 | 4812112015 | Coupling | 1 | | |
| 5 | 4700500029 | Hex. screw | 8 | | |
| 6 | 4700372772 | Bracket | 1 | | |
| 7 | 4700904637 | Washer | 12 | | |
| 8 | 4700508096 | Hexagon socket head cap screw | 12 | | |
| 9 | 4812113959 | Holder | 1 | | |
| 10 | 4700904229 | Steel plain washer | 8 | | |
| 11 | 4700500047 | Hexagon head screw | 4 | | |
| 12 | 4700904281 | Washer, 5,3x10x1 300HV | 4 | | |
| 13 | 4700500007 | Hex. screw | 4 | | |
| 14 | 4700791145 | Straight adapter | 1 | | |
| 15 | 4811000149 | Hydraulic hose | 1 | | |
| 16 | 4700230516 | Adapter | 1 | | |
| 17 | 4700230384 | Cap | 1 | | |
| 18 | 4811000150 | Hydraulic hose | 1 | | |
| 19 | 4700230515 | Connector | 1 | | |
| 20 | 4700330383 | Cap JIC, steel | 1 | | |
| 21 | 4700791431 | Elbow 90, O-ring | 1 | | |
| 22 | 4812118245 | Bracket | 1 | | |
| 23 | 4700500021 | Hex. screw | 2 | | |
| 24 | 4812112355 | Holder | 1 | | |
| 26 | 4700395816 | Plug socket 24V | 1 | | |
| 27 | 4812114221 | Bracket | 1 | | |
| 28 | 4812117751 | Bracket | 1 | A | |
| 30 | 4700904489 | Pipe clamp | 1 | | |
| 31 | 4700500022 | Screw | 2 | | |
| 33 | 4700570005 | Hexagon nut | 2 | | |
| 34 | 4700903586 | Hexagon nut with flange, M8x1.25 A2K | 2 | | |

Engine Diesel engine



Refer to Parts Online for the most up to date information. The printed information might be outdated.

Fri Dec 11 01:17:24 MST 2015

| Item | Part No. | Name | Qty | L | SN INFO |
|------|------------|--|-----|---|---------|
| 1 | 4812113819 | Diesel engine Deutz TCD2012 L06 2V 150kW -3A | 1 | A | |
| 1 | 4812115147 | Diesel engine Deutz TCD2012 L06 2V 150kW -3A | 1 | B | |
| 6 | 4700950568 | Fuel filter | 2 | | |
| 7 | 4700903942 | Oil filter | 1 | | |
| 8 | 4812157596 | V-belt | 1 | | |
| 9 | D900505654 | Alternator | 1 | | |
| 10 | 4812028097 | Starter | 1 | | |
| 11 | 4812158177 | Turbo charger, cpl | 1 | | |
| 12 | 4812158178 | Injector | 6 | | |
| 13 | D900509687 | Water pump | 1 | | |
| 14 | 4812159786 | Water temperature sensor | 1 | | |
| 15 | 4812159787 | Oil pressure sensor | 1 | | |

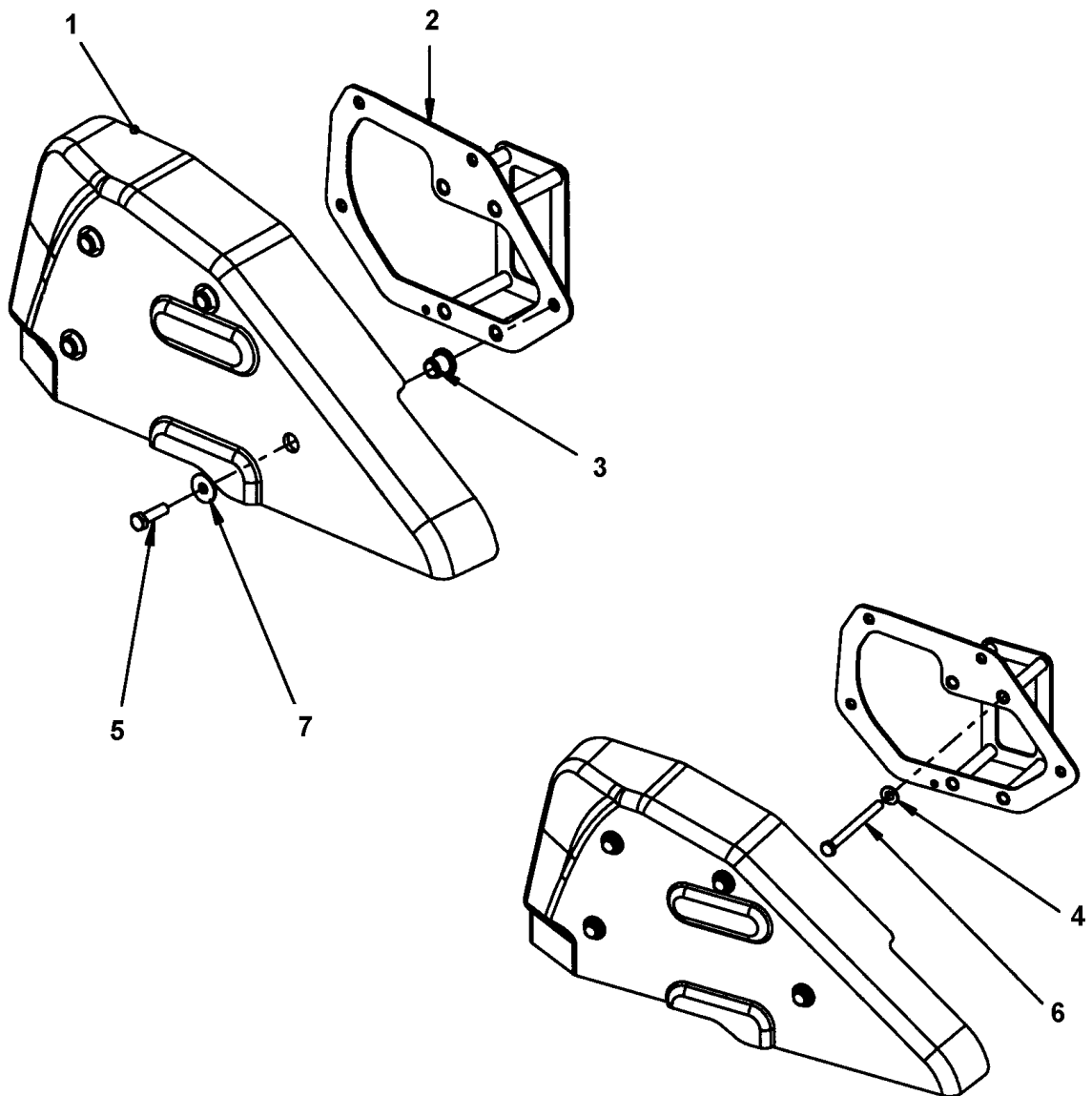
Comments for Page: Diesel engine

(L)OCAL REMARKS

A | en_US | Non certified.

B | en_US | EU flex.

Engine Belt guard module

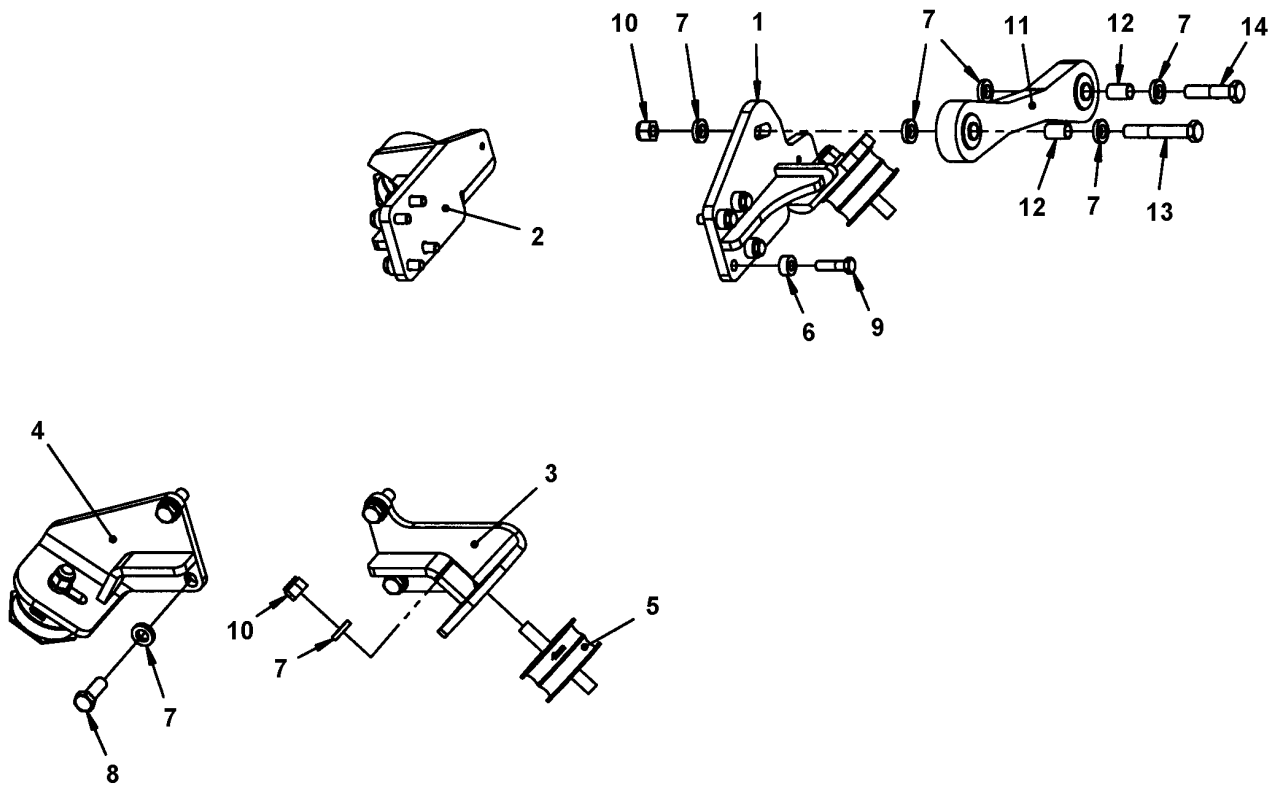


Refer to Parts Online for the most up to date information. The printed information might be outdated.

Fri Dec 11 01:17:25 MST 2015

| Item | Part No. | Name | Qty | L | SN INFO |
|------|------------|----------------------------|-----|---|---------|
| 1 | 4812117043 | Belt guard | 1 | | |
| 2 | 4812117054 | Bracket | 1 | | |
| 3 | 4812118203 | Shock absorber | 4 | | |
| 4 | 4700904230 | Washer 10.5x22x2 mm 300 HV | 4 | | |
| 5 | 4700500030 | Hexagon head screw M | 4 | | |
| 6 | 4700500055 | Screw | 4 | | |
| 7 | 4700928441 | Washer, 21 x 45 mm | 4 | | |

Engine Bracket module

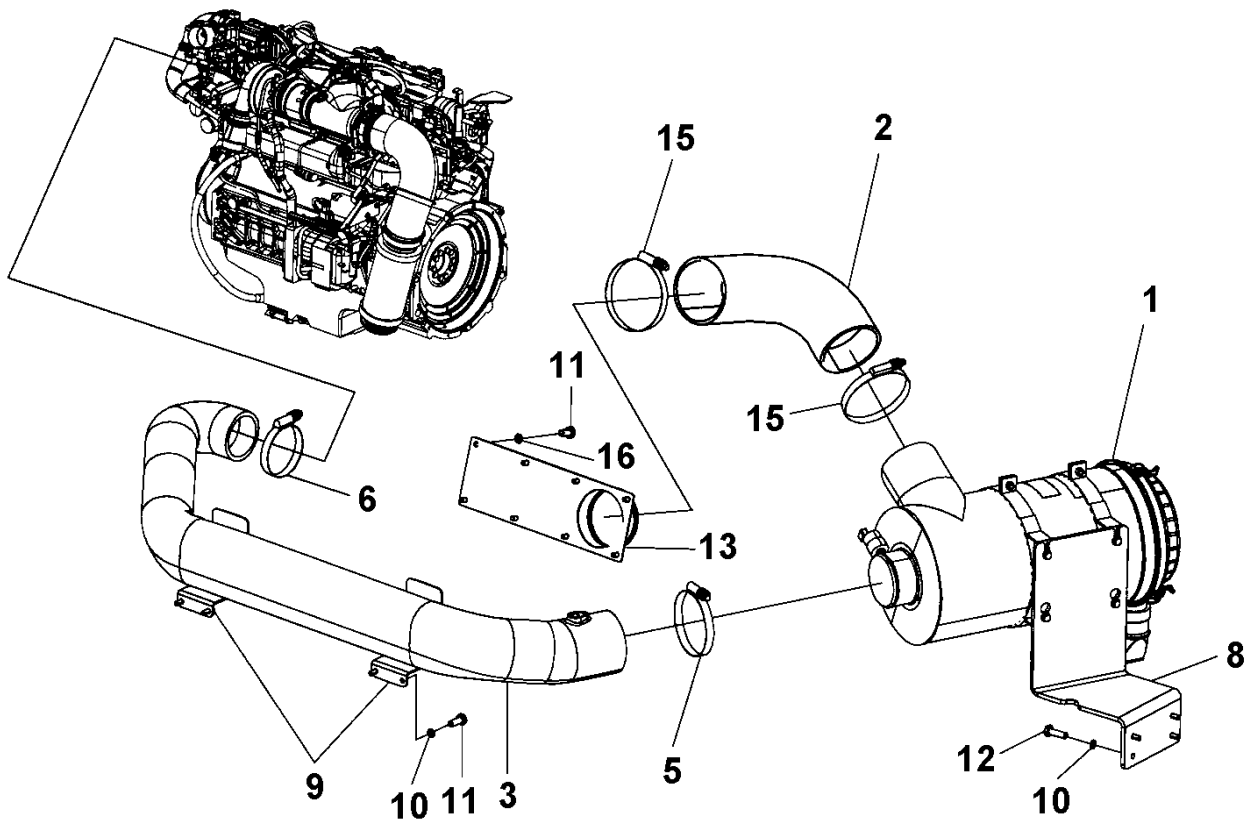


| Item | Part No. | Name | Qty | L | SN INFO |
|------|------------|---------------------------|-----|---|---------|
| 1 | 4812118285 | Bracket | 1 | | |
| 2 | 4812114546 | Bracket | 1 | | |
| 3 | 4812114547 | Bracket | 1 | | |
| 4 | 4812114548 | Bracket | 1 | | |
| 5 | 4812114397 | Shock absorber | 4 | | |
| 6 | 4700359989 | Spacer sleeve | 8 | | |
| 7 | 4700904558 | Washer, 17x30x6 mm 300 HV | 13 | | |
| 8 | 4700500102 | Hex. screw | 4 | | |
| 9 | 4700500056 | Screw, M12x45 mm 8.8 A3K | 8 | | |
| 10 | 4700586021 | Lock nut | 5 | | |
| 11 | 4812118287 | Strut | 1 | A | |
| 12 | 4812118432 | Spacer sleeve | 2 | A | |
| 13 | 4700500107 | Screw M16x100 8.8 | 1 | | |
| 14 | 4700500082 | Screw M16x70 8.8 | 1 | | |

Comments for Page: Bracket module

(L)OCAL REMARKS

A | en_US | Not used on all machines.

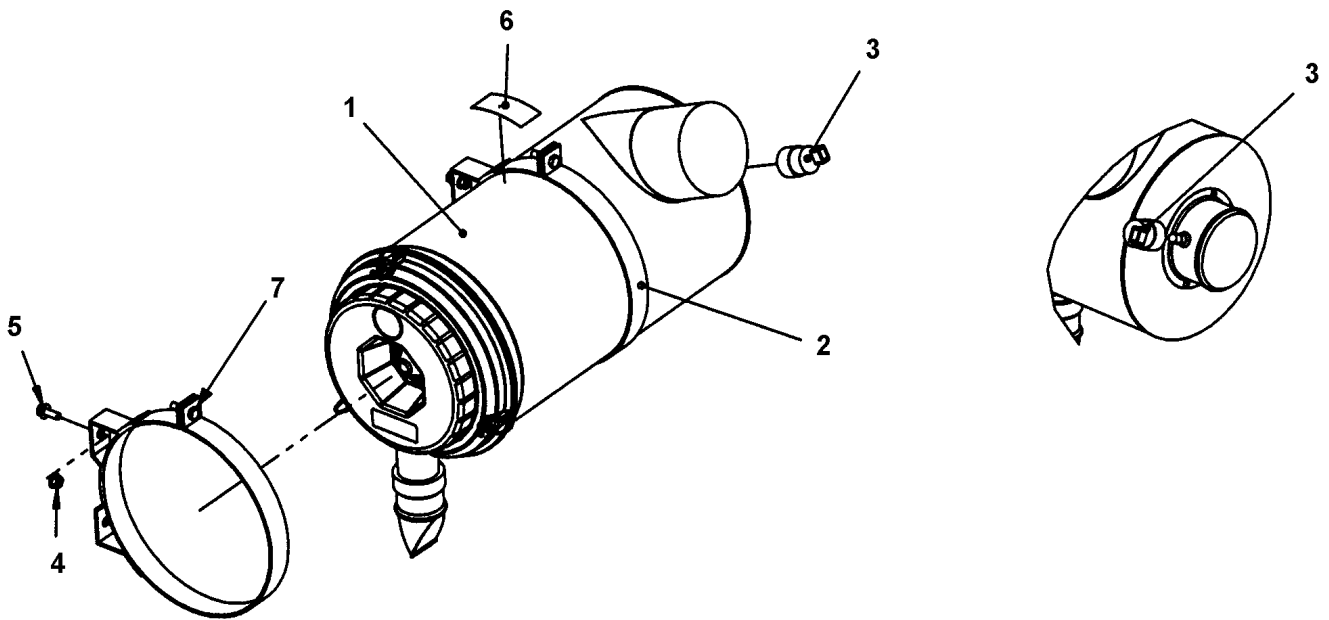
Engine Air cleaner

Refer to Parts Online for the most up to date information. The printed information might be outdated.

Fri Dec 11 01:17:26 MST 2015

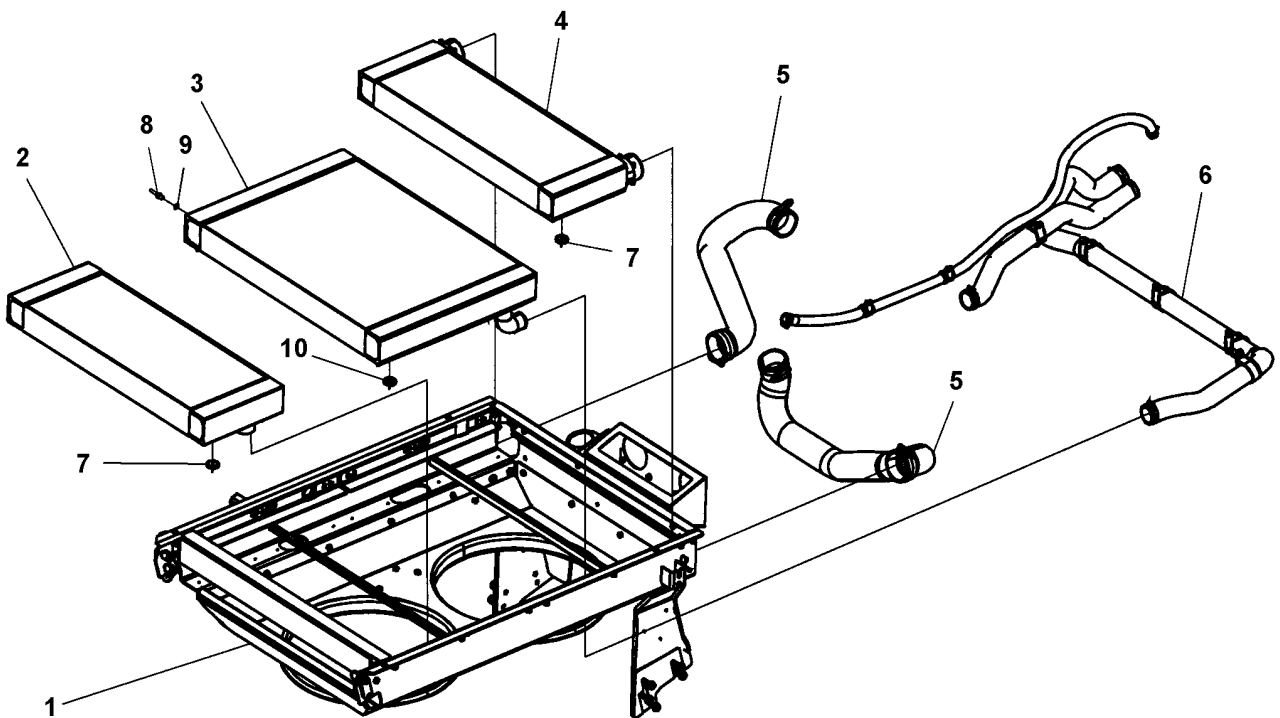
| Item | Part No. | Name | Qty | L | SN INFO |
|------|------------|-------------------------|-----|---|---------|
| 1 | - | Air cleaner module | 1 | | |
| 2 | 4812114107 | Air intake hose | 1 | | |
| 3 | 4812113926 | Air intake hose | 1 | | |
| 5 | 4700389600 | Hose clamp | 1 | | |
| 6 | 4700378712 | Clamp | 1 | | |
| 8 | 4812112487 | Bracket | 1 | | |
| 9 | 4812118179 | Hose holder | 2 | | |
| 10 | 4700904229 | Steel plain washer | 8 | | |
| 11 | 4700500053 | Screw, M8x20 mm 8.8 A2K | 12 | | |
| 12 | 4700500021 | Hex. screw | 4 | | |
| 13 | 4812113573 | Air intake duct | 1 | | |
| 15 | 4812118433 | Hose clamp | 2 | | |
| 16 | 4700904556 | Steel plain washer | 8 | | |

Engine Air cleaner module



| Item | Part No. | Name | Qty | L | SN INFO |
|------|------------|---|-----|---|---------|
| 1 | 4700394682 | Air cleaner, cpl | 1 | | |
| 1 | 4700908399 | Vacuator valve | 1 | | |
| 1 | 4700394688 | Air filter element, main | 1 | | |
| 1 | 4700394689 | Air filter element, safety | 1 | | |
| 1 | 4700395022 | Cover | 1 | | |
| 2 | 4700813791 | Mounting band | 2 | | |
| 3 | 4812117860 | Indicator | 1 | | |
| 4 | 4700903586 | Hexagon nut with flange, M8x1.25 A2K | 4 | | |
| 5 | 4700500505 | Screw, M8x20 mm 8.8 A2K | 4 | | |
| 6 | 4700791642 | Decal "WARNING" Use of starting fluid prohib. | 1 | | |
| 7 | 4700904229 | Steel plain washer | 2 | | |

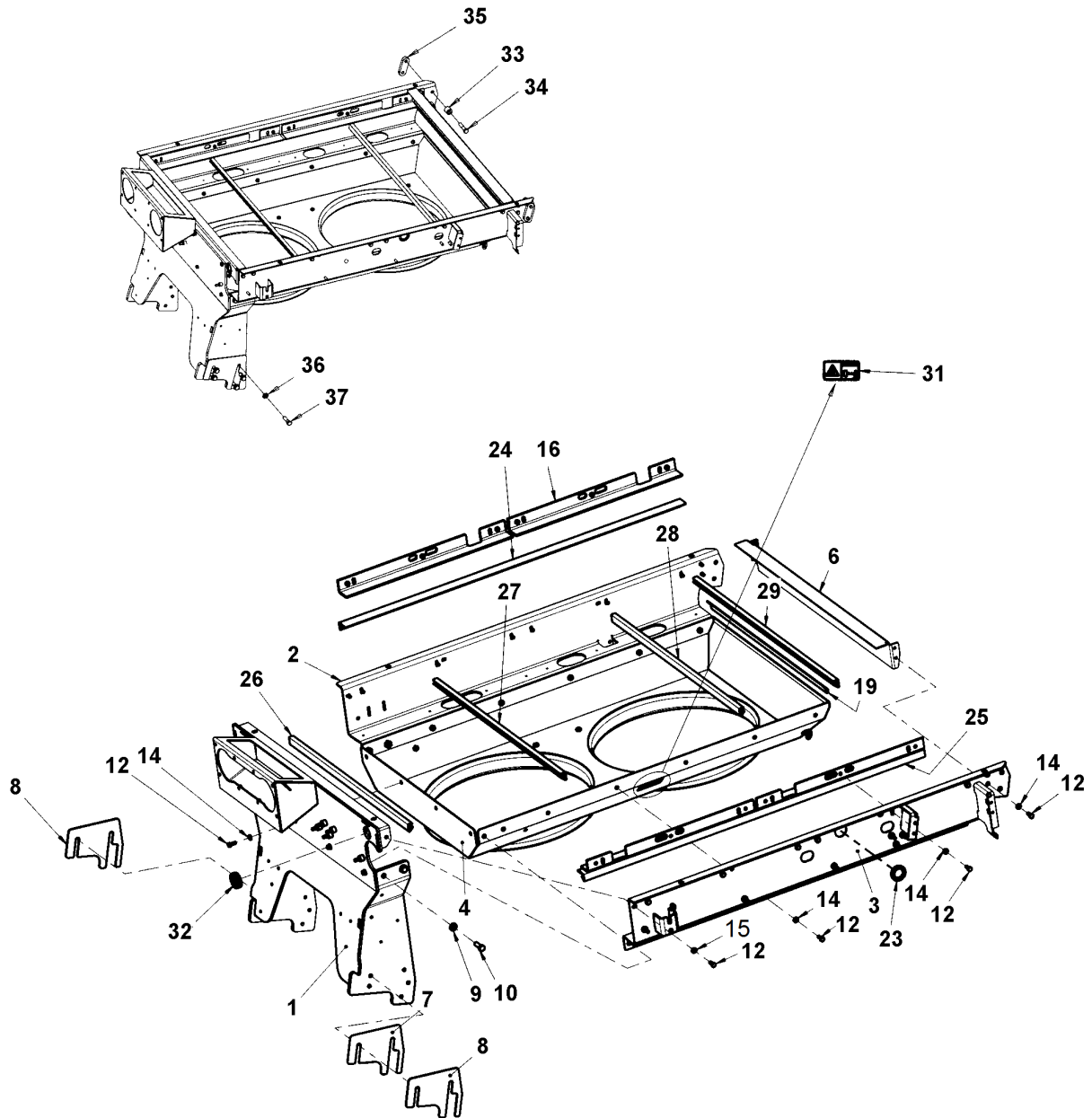
Engine Cooling system



Refer to Parts Online for the most up to date information. The printed information might be outdated.

Fri Dec 11 01:17:27 MST 2015

| Item | Part No. | Name | Qty | L | SN INFO |
|------|------------|----------------------|-----|---|---------|
| 1 | - | Cooler stand module | 1 | | |
| 2 | 4812121866 | Hydraulic oil cooler | 1 | | |
| 3 | 4812122685 | Water cooler | 1 | | |
| 4 | 4812121815 | Charge air cooler | 1 | | |
| 5 | - | Hose Kit | 1 | | |
| 6 | - | Hoses | 1 | | |
| 7 | 4812112097 | Shock absorber | 8 | | |
| 8 | 4700792322 | Hose connection | 1 | | |
| 9 | 4700162004 | Sealing | 1 | | |
| 10 | 4812114280 | Shock absorber | 6 | | |

Engine Cooler stand module

Refer to Parts Online for the most up to date information. The printed information might be outdated.

Fri Dec 11 01:17:28 MST 2015

| Item | Part No. | Name | Qty | L | SN INFO |
|------|------------|--|-----|---|---------|
| 1 | 4812118494 | Cooler stand | 1 | | |
| 2 | 4812110768 | Bracket | 1 | | |
| 3 | 4812110769 | Bracket | 1 | | |
| 4 | 4812110843 | Fan casing | 1 | | |
| 6 | 4812111264 | Cover plate | 1 | | |
| 7 | 4812113878 | Shim | N | | |
| 8 | 4812113879 | Shim | N | | |
| 9 | 4700904231 | Steel plain washer, 13x24x2 mm 300 HV | 4 | | |
| 10 | 4700500037 | Hex. screw | 4 | | |
| 12 | 4700500053 | Screw, M8x20 mm 8.8 A2K | 32 | | |
| 14 | 4700904556 | Steel plain washer | 30 | | |
| 15 | 4700904640 | Washer, 8.4x22x3 mm 300HV | 2 | | |
| 16 | 4700392075 | Bracket | 4 | | |
| 19 | 4700791460 | Edge strip | 1XL | A | |
| 23 | 4812114465 | Grommet with membrane | 1 | | |
| 24 | 4812113708 | Rubber strip | 1XL | B | |
| 25 | 4812113708 | Rubber strip | 1XL | B | |
| 26 | 4700391299 | Rubber strip | 1XL | C | |
| 27 | 4700391299 | Rubber strip | 1XL | D | |
| 28 | 4700391299 | Rubber strip | 1XL | D | |
| 29 | 4700391299 | Rubber strip | 1XL | D | |
| 31 | 4700903423 | Safety label, Rotating engine components | 2 | | |
| 32 | 4812119127 | Grommet with membrane | 1 | | |
| 33 | 4700383024 | Spacer sleeve | 4 | | |
| 34 | 4700925519 | Screw M12x55 10.9 GEOMET | 4 | | |
| 35 | 4812110930 | Nut-plate | 2 | | |
| 36 | 4700904231 | Steel plain washer, 13x24x2 mm 300 HV | 10 | | |
| 37 | 4700947690 | Screw | 10 | | |

Comments for Page: Cooler stand module

(L)OCAL REMARKS

A | en_US | L = 0.77m

B | en_US | L = 1.24m

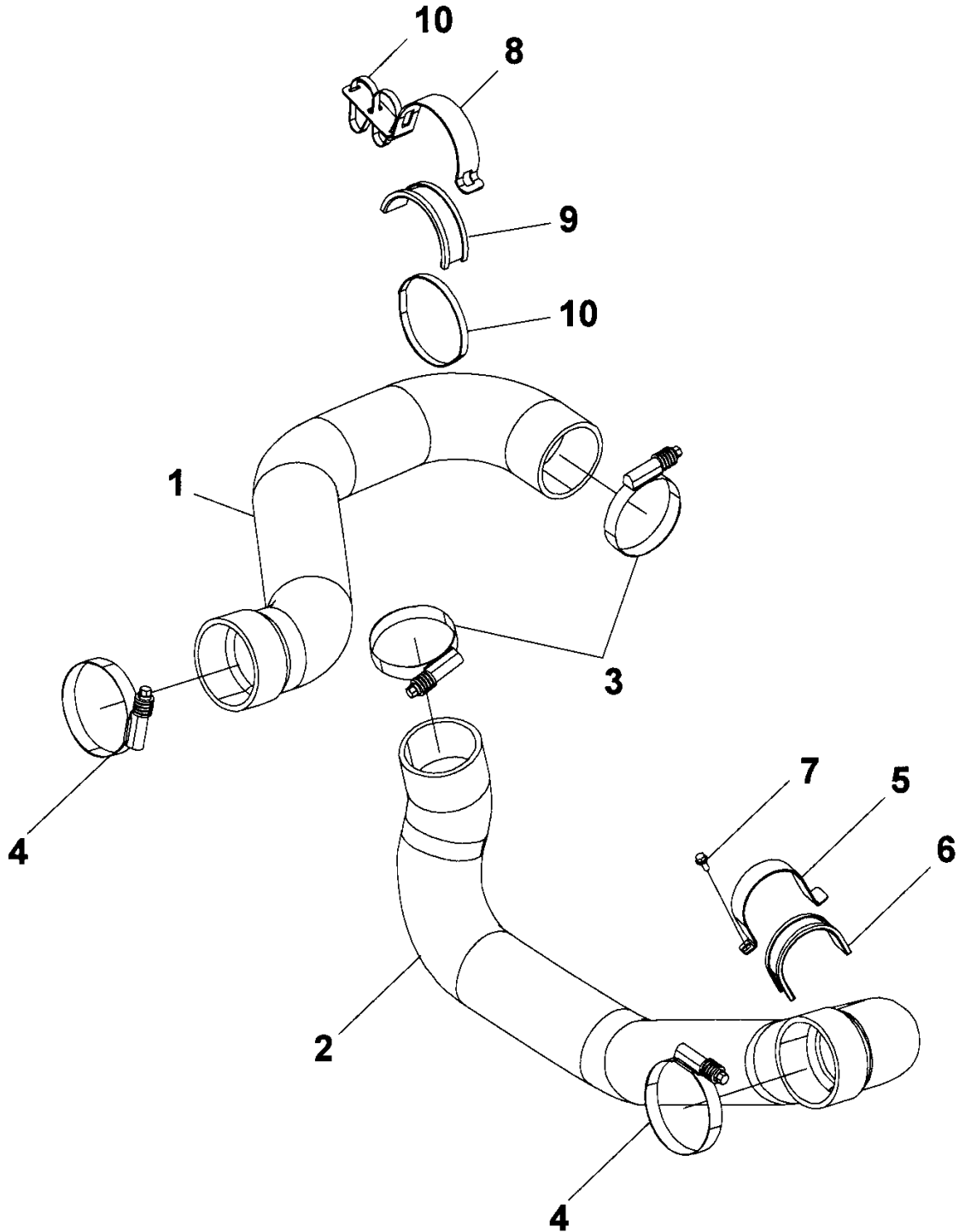
C | en_US | L = 0.785m

D | en_US | L = 0.85m

Refer to Parts Online for the most up to date information. The printed information might be outdated.

Fri Dec 11 01:17:29 MST 2015

Engine Hose kit



Refer to Parts Online for the most up to date information. The printed information might be outdated.

Fri Dec 11 01:17:29 MST 2015

| Item | Part No. | Name | Qty | L | SN INFO |
|------|------------|--------------------------|-----|------|---------|
| 1 | 4812113897 | Charge air hose | 1 | | |
| 2 | 4812113898 | Charge air hose | 1 | | |
| 3 | 4700386966 | Hose clamp 2.3/4"-3.5/8" | 2 | | |
| 4 | 4700392810 | Clamp | 2 | | |
| 5 | 4812117710 | Clamp | 1 | B | |
| 6 | 4812117602 | Strip | 1XL | A, B | |
| 7 | 4700792119 | Screw, M6x16 mm 8.8 A2K | 1 | B | |
| 8 | 4812117699 | Holder | 1 | | |
| 9 | 4812117602 | Strip | 1XL | C | |
| 10 | 4700313102 | Cable ties | N | | |

Comments for Page: Hose kit

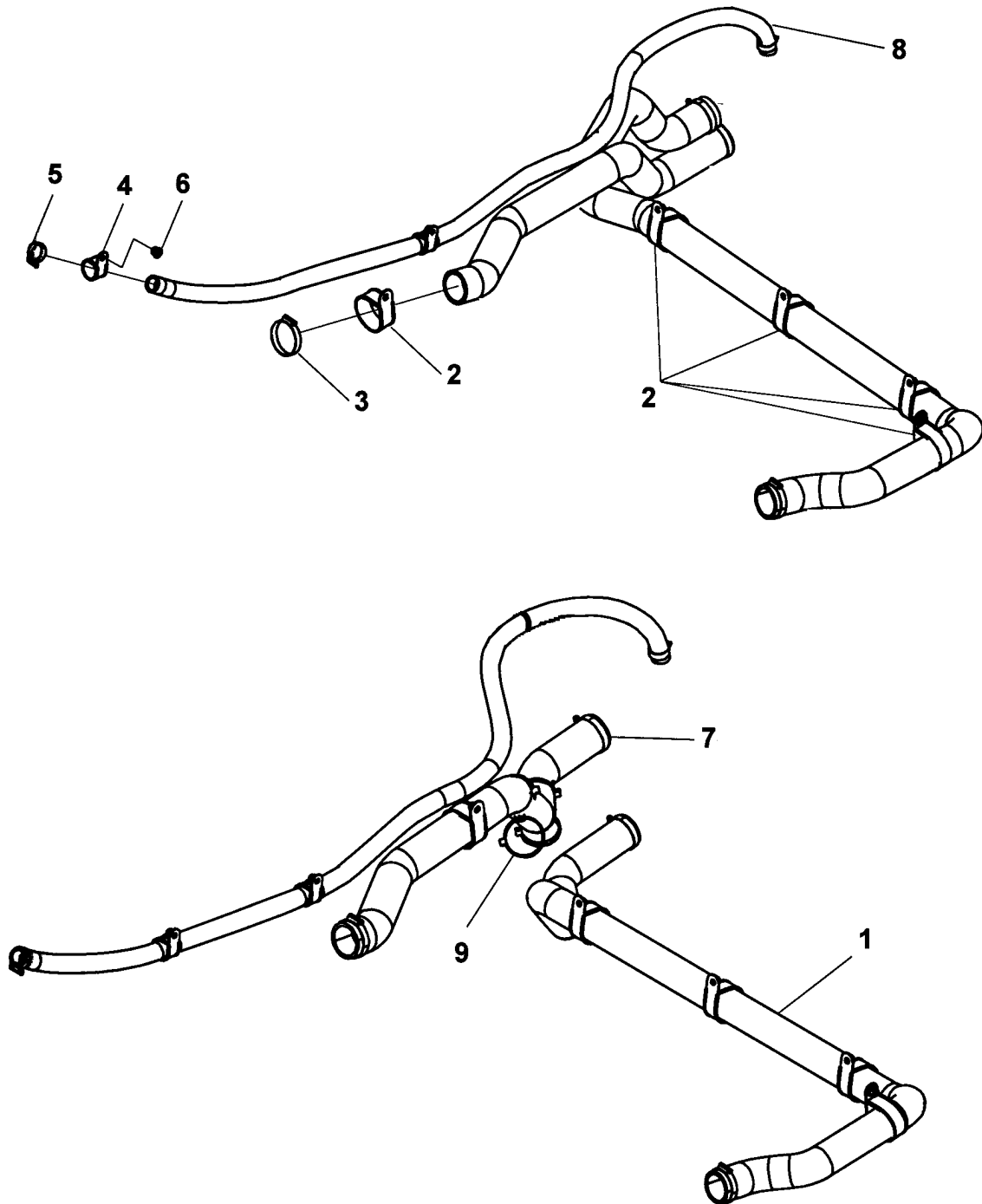
(L)OCAL REMARKS

A | en_US | L = 0.19m

B | en_US | Used with bracket 4812117751, see section 'Engine'.

C | en_US | L = 0.13m

Engine Hoses



Refer to Parts Online for the most up to date information. The printed information might be outdated.

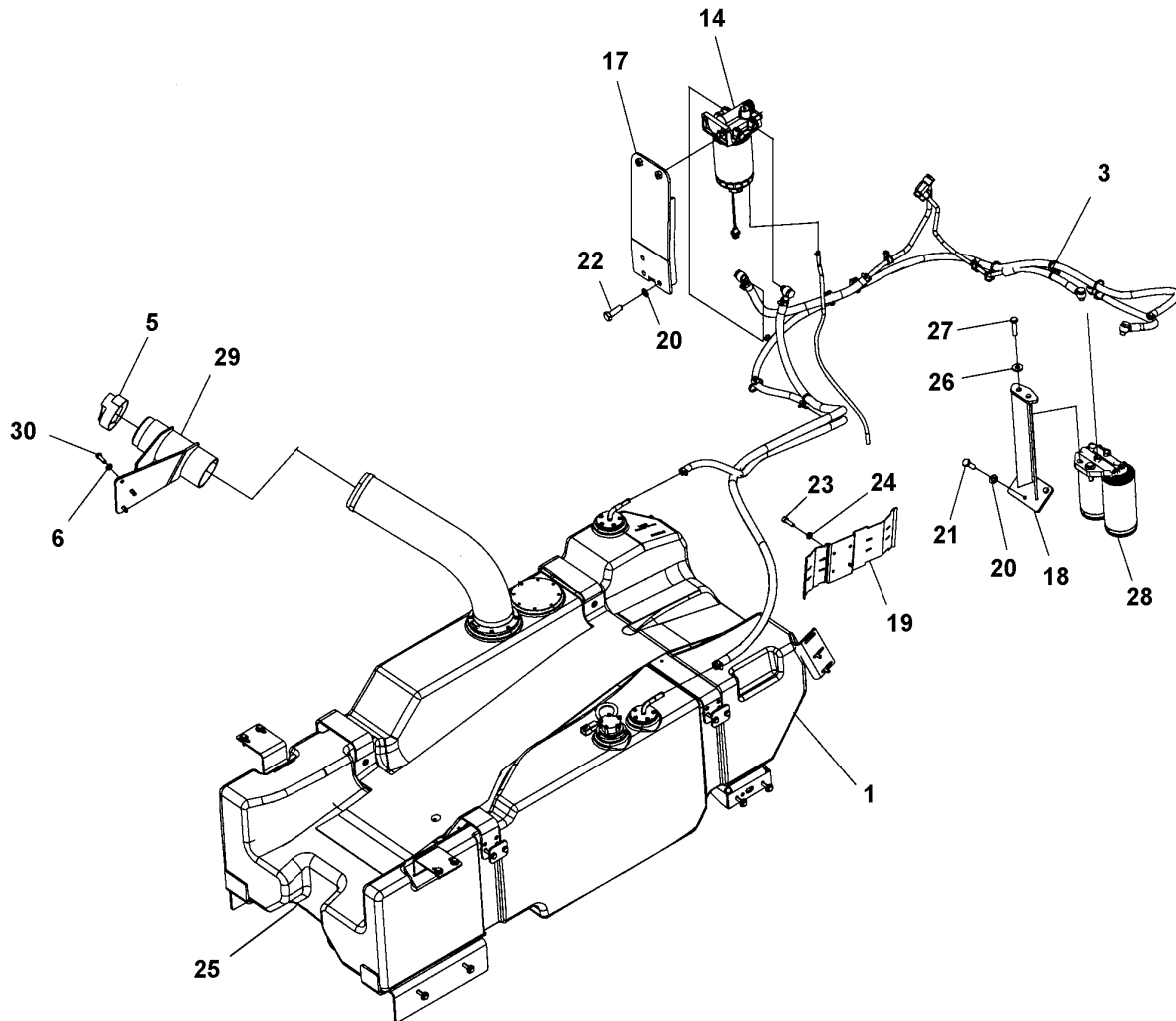
Fri Dec 11 01:17:30 MST 2015

| Item | Part No. | Name | Qty | L | SN INFO |
|------|------------|--------------------------|-----|---|---------|
| 1 | 4812117026 | Cooler hose | 1 | | |
| 2 | 4700903703 | Clamp | 5 | | |
| 3 | 4700313010 | Hose clamp | 4 | | |
| 4 | 4700921050 | Clamp | 2 | | |
| 5 | 4700313006 | Hose clamp | 2 | | |
| 6 | 4700902286 | Lock nut, M8x1.25 mm A2K | 7 | | |
| 7 | 4812117027 | Cooler hose | 1 | | |
| 8 | 4700205027 | Coolant hose | 1XL | E | |
| 9 | 4812117248 | Cable tie with holder | 2 | | |

Comments for Page: Hoses

(L)OCAL REMARKS

E | L = 2.05m

Fuel system Fuel system

Refer to Parts Online for the most up to date information. The printed information might be outdated.

Fri Dec 11 01:17:32 MST 2015

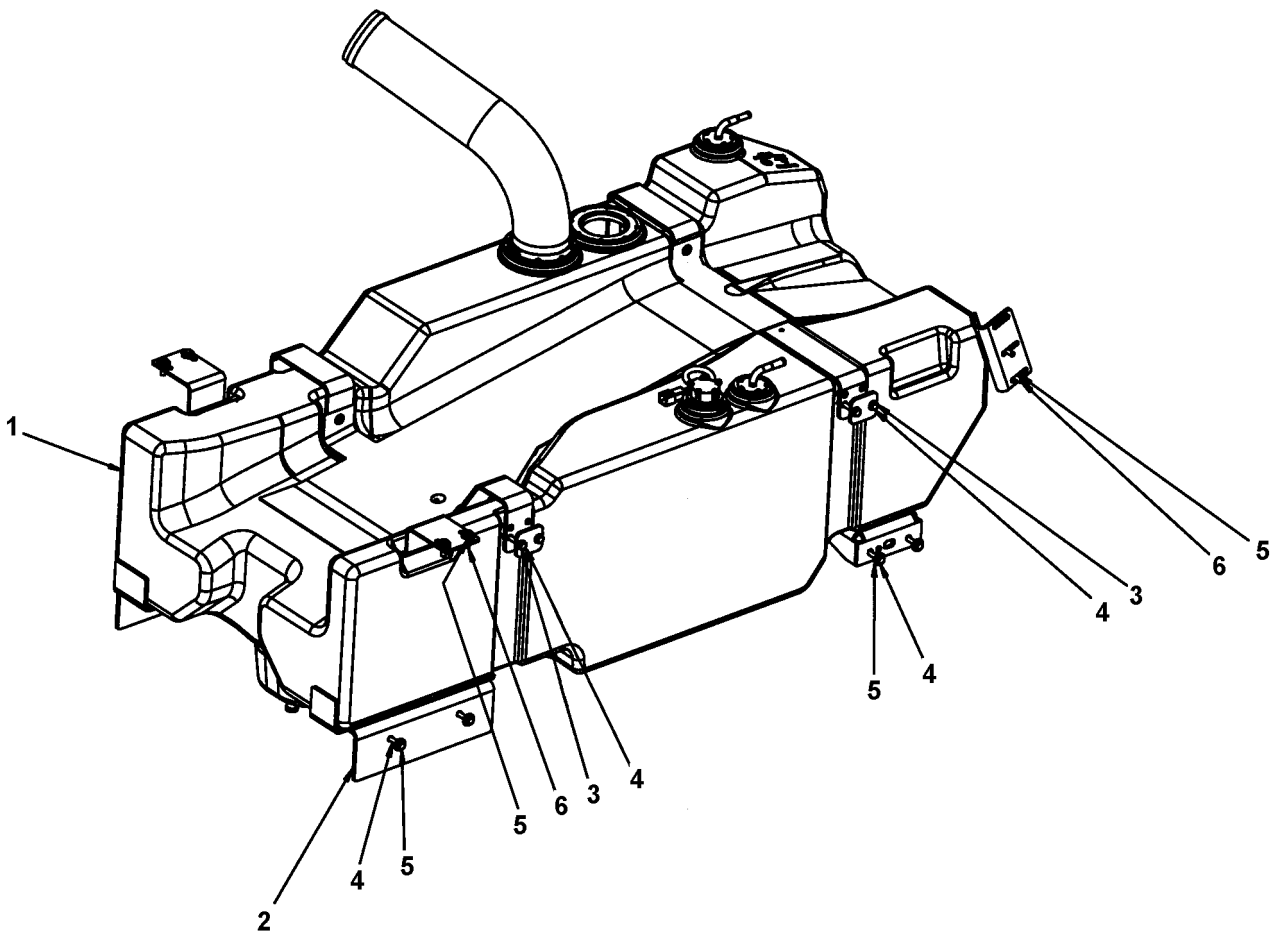
| Item | Part No. | Name | Qty | L | SN INFO |
|------|------------|---------------------------------|-----|---|---------|
| 1 | - | Fuel tank module | 1 | | |
| 3 | - | Hoses | 1 | | |
| 5 | 4700380436 | Fuel cap | 1 | | |
| 6 | 4700904556 | Steel plain washer | 3 | | |
| 14 | 4812156451 | Pre-fuel filter, cpl | 1 | | |
| 14 | 4812031626 | Pre-fuel filter, filter element | 1 | | |
| 14 | 4812002714 | Pre-fuel filter, sensor | 1 | | |
| 17 | 4812117040 | Bracket | 1 | | |
| 18 | 4812118102 | Bracket | 1 | | |
| 19 | 4812114212 | Bracket | 1 | | |
| 20 | 4700904229 | Steel plain washer | 5 | | |
| 21 | 4700500021 | Hex. screw | 3 | | |
| 22 | 4700500029 | Hex. screw | 2 | | |
| 23 | 4700508025 | Screw | 2 | | |
| 24 | 4700603010 | Washer 6,4x12x3 | 2 | | |
| 25 | - | Draining module, option | 1 | | |
| 26 | 4700904213 | Washer | 2 | | |
| 27 | 4700500194 | Hex. screw | 2 | | |
| 28 | - | Fuel filter | 1 | B | |
| 29 | 4812120376 | Bracket | 1 | | |
| 30 | 4700500021 | Hex. screw | 3 | | |

Comments for Page: Fuel system

(L)OCAL REMARKS

B | en_US | See section for diesel engine.

Fuel system Fuel tank module



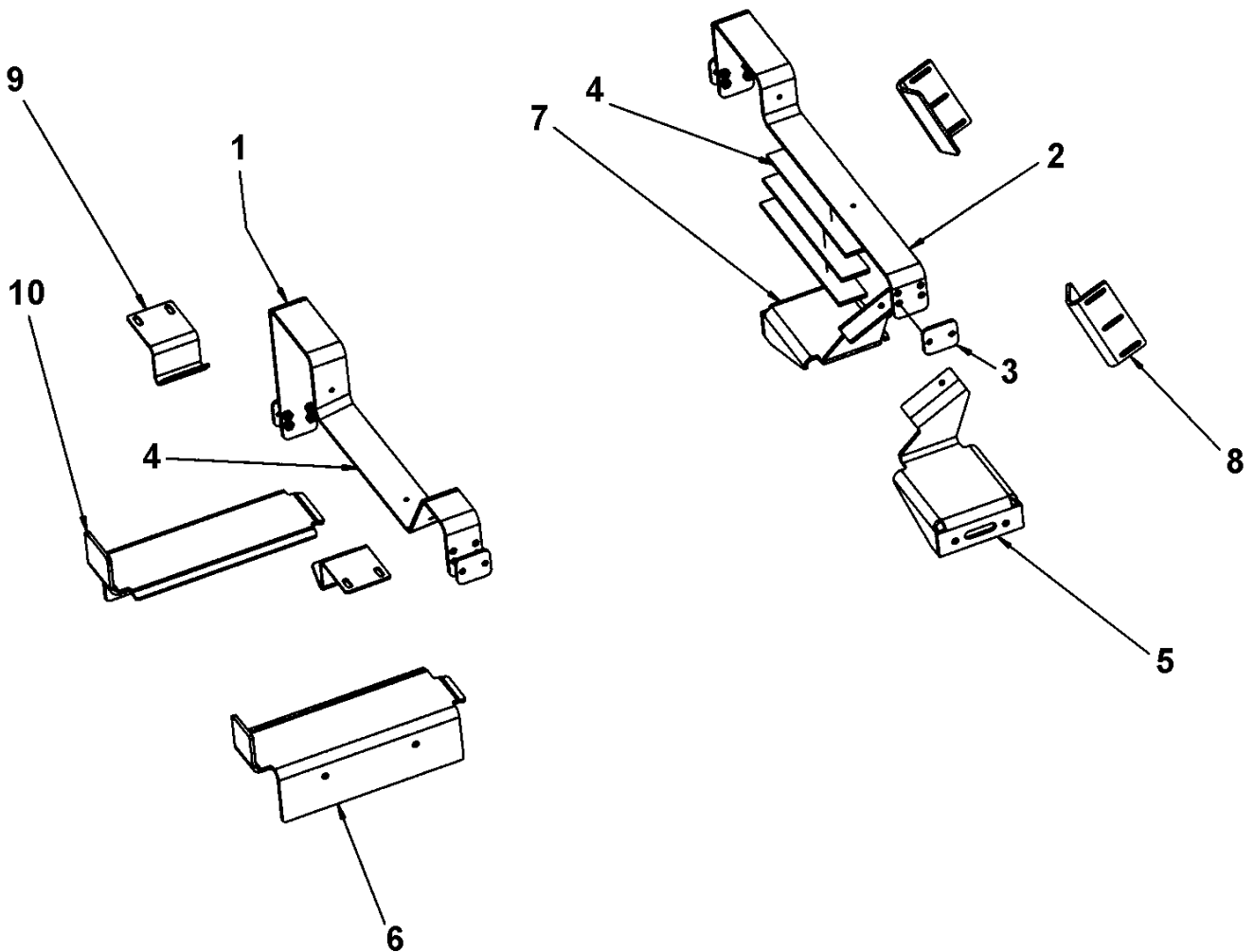
Refer to Parts Online for the most up to date information. The printed information might be outdated.

Fri Dec 11 01:17:33 MST 2015

| Item | Part No. | Name | Qty | L | SN INFO |
|------|------------|---------------------------|-----|---|---------|
| 1 | - | Fuel tank | 1 | | |
| 2 | - | Brackets assy | 1 | | |
| 3 | 4700904229 | Steel plain washer | 8 | | |
| 4 | 4700500024 | Screw M8x45 | 16 | | |
| 5 | 4700904640 | Washer, 8.4x22x3 mm 300HV | 16 | | |
| 6 | 4700500021 | Hex. screw | 8 | | |

| Item | Part No. | Name | Qty | L | SN INFO |
|------|------------|--------------------------------|-----|---|---------|
| 1 | 4812118626 | Fuel tank | 1 | | |
| 2 | 4812114949 | Gasket | 1 | | |
| 3 | 4812114813 | Adapter | 1 | | |
| 4 | 4812114935 | Level sensor | 1 | | |
| 5 | 4700904281 | Washer, 5,3x10x1 300HV | 5 | | |
| 6 | 4700904206 | Screw, M6x16 mm | 18 | | |
| 7 | 4700513012 | Screw, M6 x 20 mm 10.9 GEOMET® | 5 | | |
| 8 | 4812116834 | Gasket | 2 | | |
| 9 | 4812118275 | Fuel pipe | 1 | | |
| 10 | 4812116836 | Fuel pipe | 1 | | |
| 12 | 4812112655 | Flange gasket | 2 | | |
| 13 | 4812112656 | Flange connection | 1 | | |
| 14 | 4812118670 | Fuel hose | 1 | | |
| 15 | 4700313033 | Hose clamp | 2 | | |
| 17 | 4700500009 | Hex. screw | 5 | | |
| 19 | 4812112729 | Rubber cloth | 1 | | |
| 20 | 4700395785 | Expansion rivet | 3 | | |

Fuel system Brackets assy

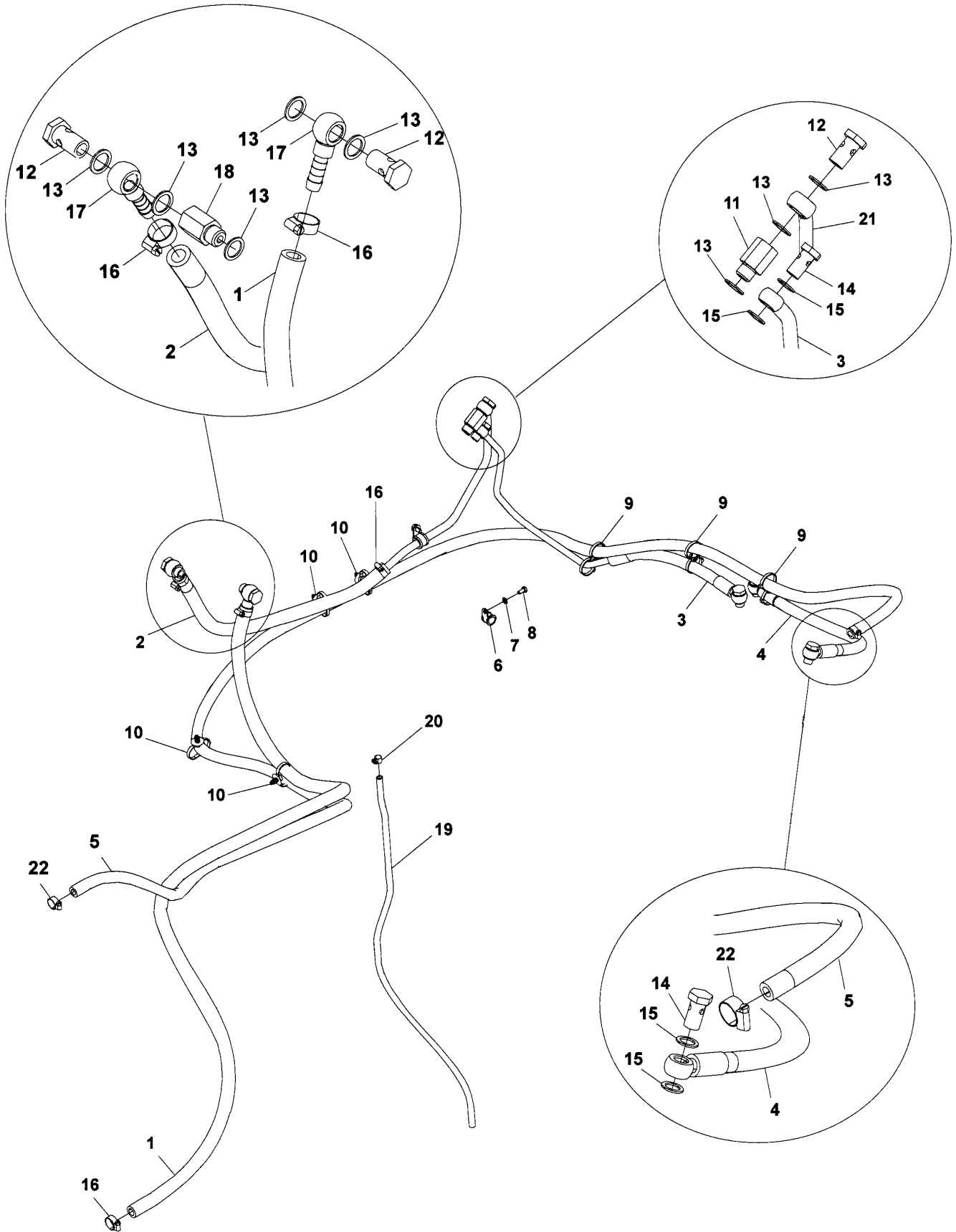


Refer to Parts Online for the most up to date information. The printed information might be outdated.

Fri Dec 11 01:17:33 MST 2015

| Item | Part No. | Name | Qty | L | SN INFO |
|------|------------|--------------|-----|---|---------|
| 1 | 4812112343 | Bracket | 1 | | |
| 2 | 4812112344 | Bracket | 1 | | |
| 3 | 4812112639 | Spacer | 4 | | |
| 4 | 4812112761 | Rubber cloth | 6 | | |
| 5 | 4812113640 | Bracket | 1 | | |
| 6 | 4812112647 | Bracket | 1 | | |
| 7 | 4812113641 | Bracket | 1 | | |
| 8 | 4812112777 | Bracket | 2 | | |
| 9 | 4812112776 | Bracket | 2 | | |
| 10 | 4812114913 | Bracket | 1 | | |

Fuel system Hoses



Refer to Parts Online for the most up to date information. The printed information might be outdated.

Fri Dec 11 01:17:34 MST 2015

| Item | Part No. | Name | Qty | L | SN INFO |
|------|------------|-----------------------------|-----|---|---------|
| 1 | 4700904986 | Fuel hose, fire-resistant | 1XL | A | |
| 2 | 4700904986 | Fuel hose, fire-resistant | 1XL | B | |
| 3 | 4812117498 | Fuel hose | 1 | | |
| 4 | 4700355524 | Fuel hose | 1 | | |
| 5 | 4700904985 | Fuel hose, fire-resistant | 1XL | C | |
| 6 | 4700921046 | Clamp | 2 | | |
| 7 | 4700904228 | Washer 6.4x12x1.5 mm 300 HV | 2 | | |
| 8 | 4700500012 | Hex. screw | 2 | | |
| 9 | 4700792686 | Cable tie with holder | 3 | | |
| 10 | 4700792441 | Cable tie with holder | 4 | | |
| 11 | 4812113111 | Straight connector | 1 | | |
| 12 | 4700234928 | Screw, M16x1,5 | 3 | | |
| 13 | 4700330330 | Copper washer | 8 | | |
| 14 | 4700330171 | Hollow screw, M14 | 4 | | |
| 15 | 4700747282 | Copper washer | 8 | | |
| 16 | 4700313002 | Hose clamp | 4 | | |
| 17 | 4700234927 | Banjo coupling | 2 | | |
| 18 | 4812113111 | Straight connector | 1 | | |
| 19 | 4700902160 | Plastic hose | 1 | | |
| 20 | 4700904394 | Hose clamp | 1 | | |
| 21 | 4812118280 | Fuel pipe | 1 | | |
| 22 | 4700313001 | Hose clamp | 2 | | |
| 23 | 4700904213 | Washer | 2 | | |
| 24 | 4700500194 | Hex. screw | 2 | | |

Comments for Page: Hoses

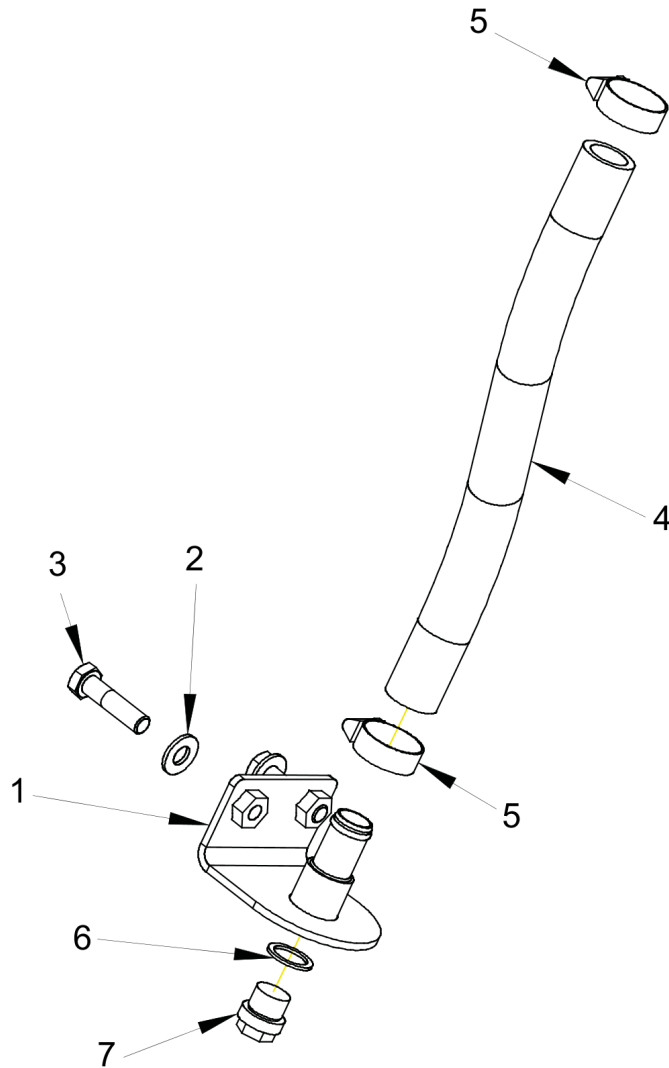
(L)OCAL REMARKS

A | en_US | L = 2m

B | en_US | L = 1.2m

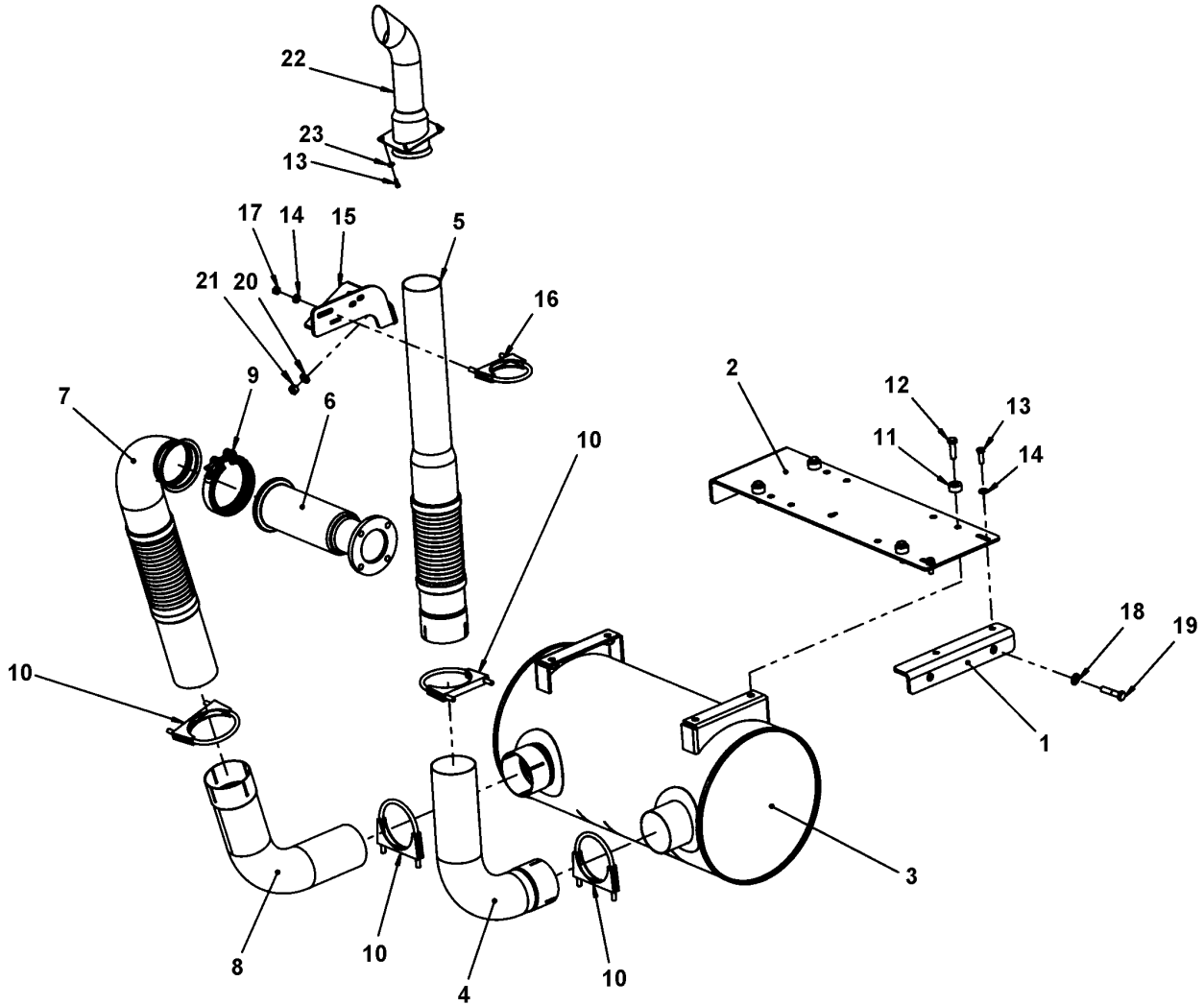
C | en_US | L = 3.5m

Fuel system Draining module



| Item | Part No. | Name | Qty | L | SN INFO |
|------|------------|----------------------------|------|---|---------|
| 1 | 4812120205 | Bracket | 1 | | |
| 2 | 4700904230 | Washer 10.5x22x2 mm 300 HV | 2 | | |
| 3 | 4700500031 | Screw | 2 | | |
| 4 | 4700904988 | Fuel hose | 0.45 | | |
| 5 | 4700313006 | Hose clamp | 2 | | |
| 6 | 4700330331 | Washer 18,2x23,9x1,5 | 1 | | |
| 7 | 4700232160 | Plug screw | 1 | | |

Engine Exhaust system

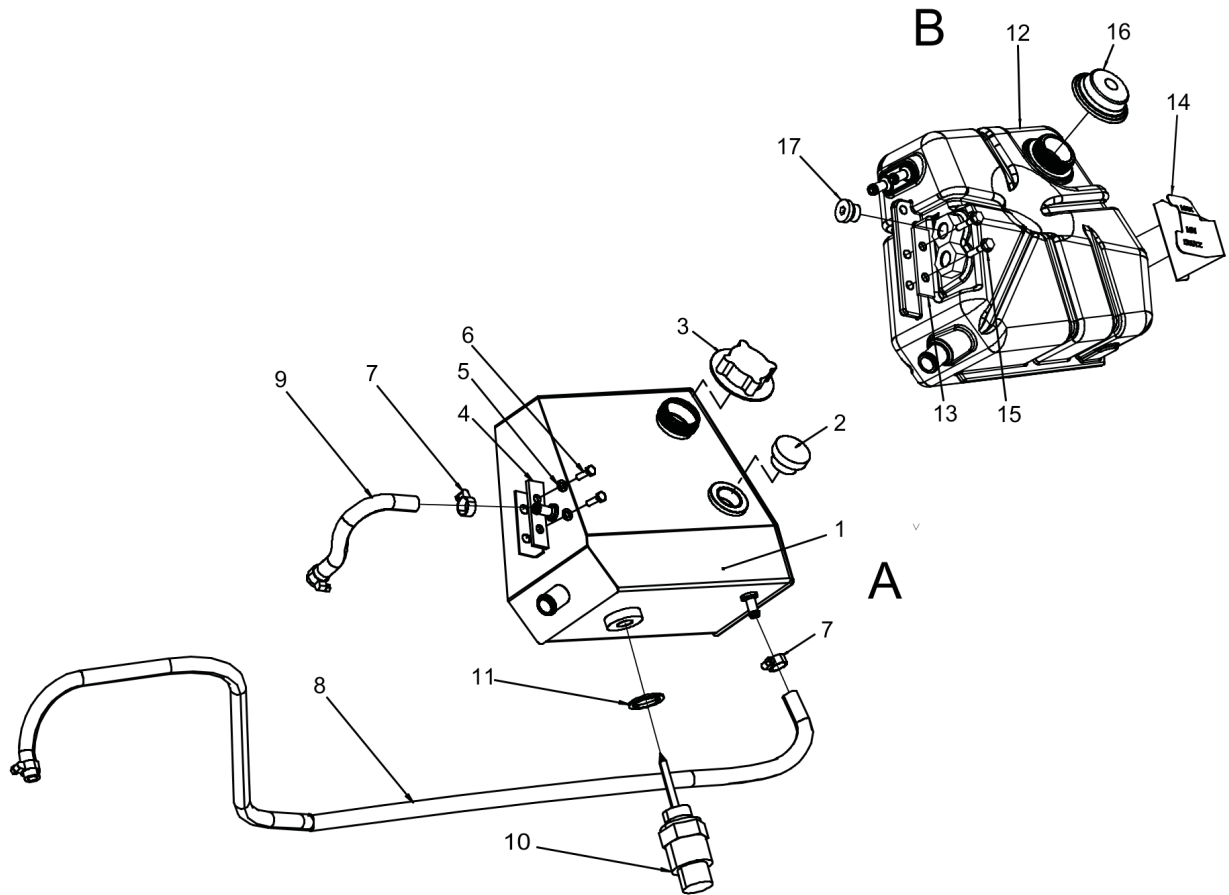


Refer to Parts Online for the most up to date information. The printed information might be outdated.

Fri Dec 11 01:17:36 MST 2015

| Item | Part No. | Name | Qty | L | SN INFO |
|------|------------|----------------------------|-----|---|---------|
| 1 | 4812116342 | Bracket | 1 | | |
| 2 | 4812116341 | Bracket | 1 | | |
| 3 | 4812114228 | Muffler | 1 | | |
| 4 | 4812114227 | Exhaust pipe | 1 | | |
| 5 | 4812113040 | Exhaust pipe | 1 | | |
| 6 | 4812114224 | Exhaust pipe | 1 | | |
| 7 | 4812114225 | Exhaust pipe | 1 | | |
| 8 | 4812114226 | Exhaust pipe | 1 | | |
| 9 | 4812112710 | Clamp | 1 | | |
| 10 | 4700927857 | Pipe clamp | 4 | | |
| 11 | 4700359989 | Spacer sleeve | 4 | | |
| 12 | 4700500030 | Hexagon head screw M | 4 | | |
| 13 | 4700500021 | Hex. screw | 6 | | |
| 14 | 4700904556 | Steel plain washer | 4 | | |
| 15 | 4812118499 | Bracket | 1 | | |
| 16 | 4811000481 | Pipe clamp | 1 | | |
| 17 | 4700570005 | Hexagon nut | 2 | | |
| 18 | 4700904230 | Washer 10.5x22x2 mm 300 HV | 4 | | |
| 19 | 4700500161 | Screw | 4 | | |
| 20 | 4700904229 | Steel plain washer | 3 | | |
| 21 | 4700570005 | Hexagon nut | 3 | | |
| 22 | 4812112479 | Exhaust pipe | 1 | | |
| 23 | 4700904640 | Washer, 8.4x22x3 mm 300HV | 4 | | |

Engine Expansion tank module



| Item | Part No. | Name | Qty | L | SN INFO |
|------|------------|-----------------------------|-----|---|---------|
| 1 | 4812110931 | Expansion tank | 1 | | |
| 2 | 4700372597 | Level glass | 1 | | |
| 3 | 4700903714 | Cooler cap | 1 | | |
| 4 | 4700381413 | Washer | 2 | | |
| 5 | 4700904228 | Washer 6.4x12x1.5 mm 300 HV | 4 | | |
| 6 | 4700500040 | Screw, M6x20 mm 8.8 A2K | 4 | | |
| 7 | 4700313001 | Hose clamp | 4 | | |
| 8 | 4700904985 | Fuel hose, fire-resistant | 1XL | A | |
| 9 | 4700904985 | Fuel hose, fire-resistant | 1XL | B | |
| 10 | 4812117942 | Level sensor | 1 | | |
| 11 | 4700162015 | Seal ring | 1 | | |
| 12 | 4812117379 | Expansion tank | 1 | | |
| 13 | 4700381413 | Washer | 2 | | |
| 14 | 4700500503 | Screw, M6x30 mm 8.8 A2K | 4 | | |
| 15 | 4812117533 | Indicator | 1 | | |
| 16 | 4700903714 | Cooler cap | 1 | | |
| 17 | 4700792295 | Steel plug | 1 | | |

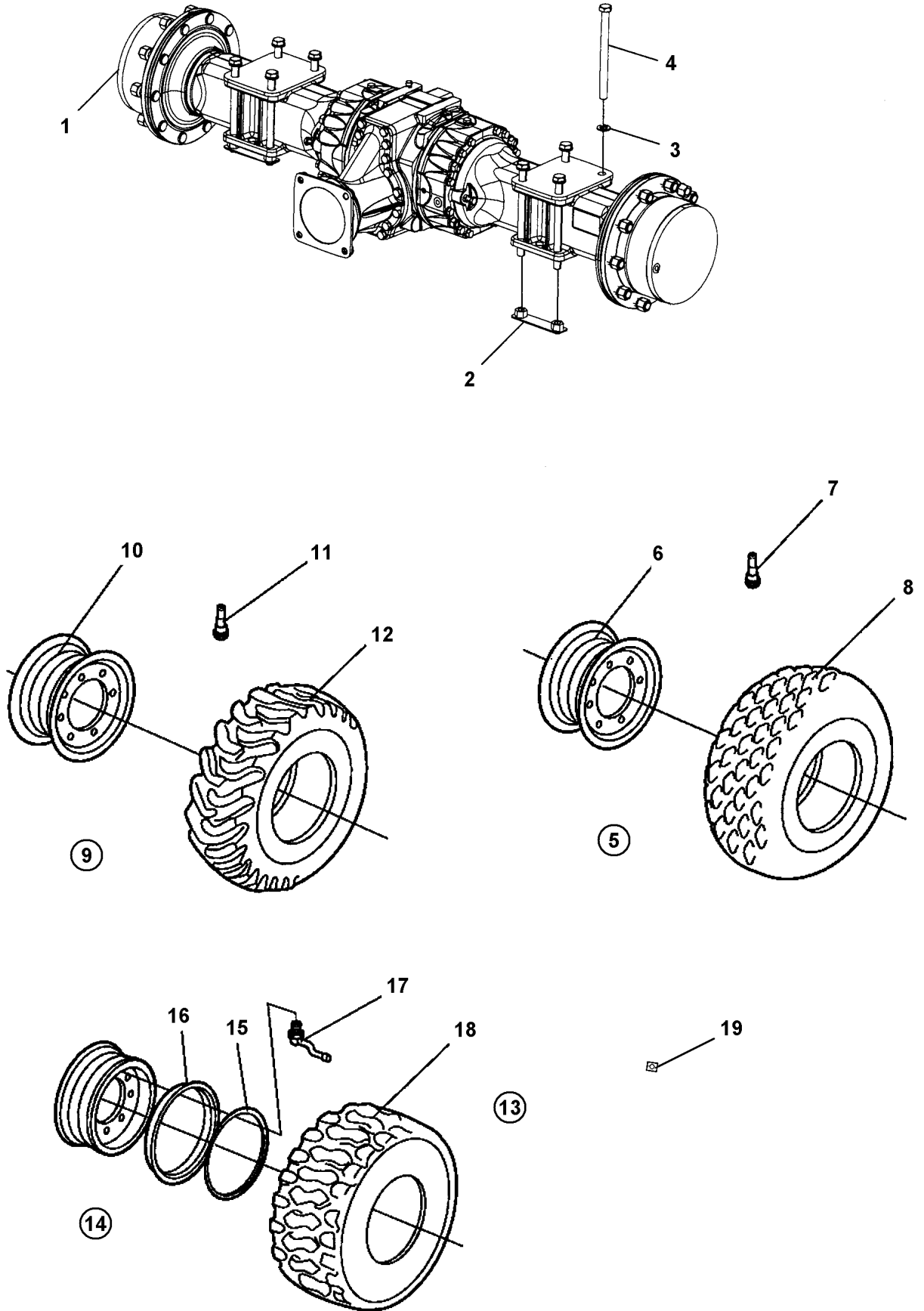
Comments for Page: Expansion tank module

(L)OCAL REMARKS

A | L=2.1m

B | L=0.18m

Transmission Rear axle and wheels



Refer to Parts Online for the most up to date information. The printed information might be outdated.

Fri Dec 11 01:17:39 MST 2015

| Item | Part No. | Name | Qty | L | SN INFO |
|------|------------|-----------------------------|-----|---|---------|
| 1 | 4812111833 | Rear axle No-Spin | 1 | | |
| 1 | 4812111832 | Rear axle Limited-Slip | 1 | | |
| 2 | 4812112393 | Nut-plate | 4 | | |
| 3 | 4700904233 | Steel plain washer 21x36x3 | 8 | | |
| 4 | 4700929217 | Screw | 8 | | |
| 5 | - | Wheel, cpl (All-weather) | 2 | A | |
| 6 | 4812120674 | Rim | 1 | | |
| 7 | 4700792261 | Air charging valve Straight | 1 | | |
| 8 | 4812116039 | Tyre | 1 | | |
| 9 | - | Tractor wheel, cpl | 2 | | |
| 10 | 4812120674 | Rim | 1 | | |
| 11 | 4700792261 | Air charging valve Straight | 1 | | |
| 12 | 4700390589 | Tyre | 1 | | |
| 13 | - | Wheel, cpl (Premium) | 2 | F | |
| 14 | 4812120676 | Rim cpl | 1 | | |
| 15 | 4700901443 | Snap ring | 1 | | |
| 16 | 4700901444 | Side ring | 1 | | |
| 17 | 4700791175 | Air charging valve | 1 | | |
| 17 | 4700791176 | Valve foot | 1 | | |
| 18 | 4700901218 | Tyre | 1 | | |
| 19 | 4700903985 | Decal "SAFETY | 4 | G | |

Comments for Page: Rear axle and wheels

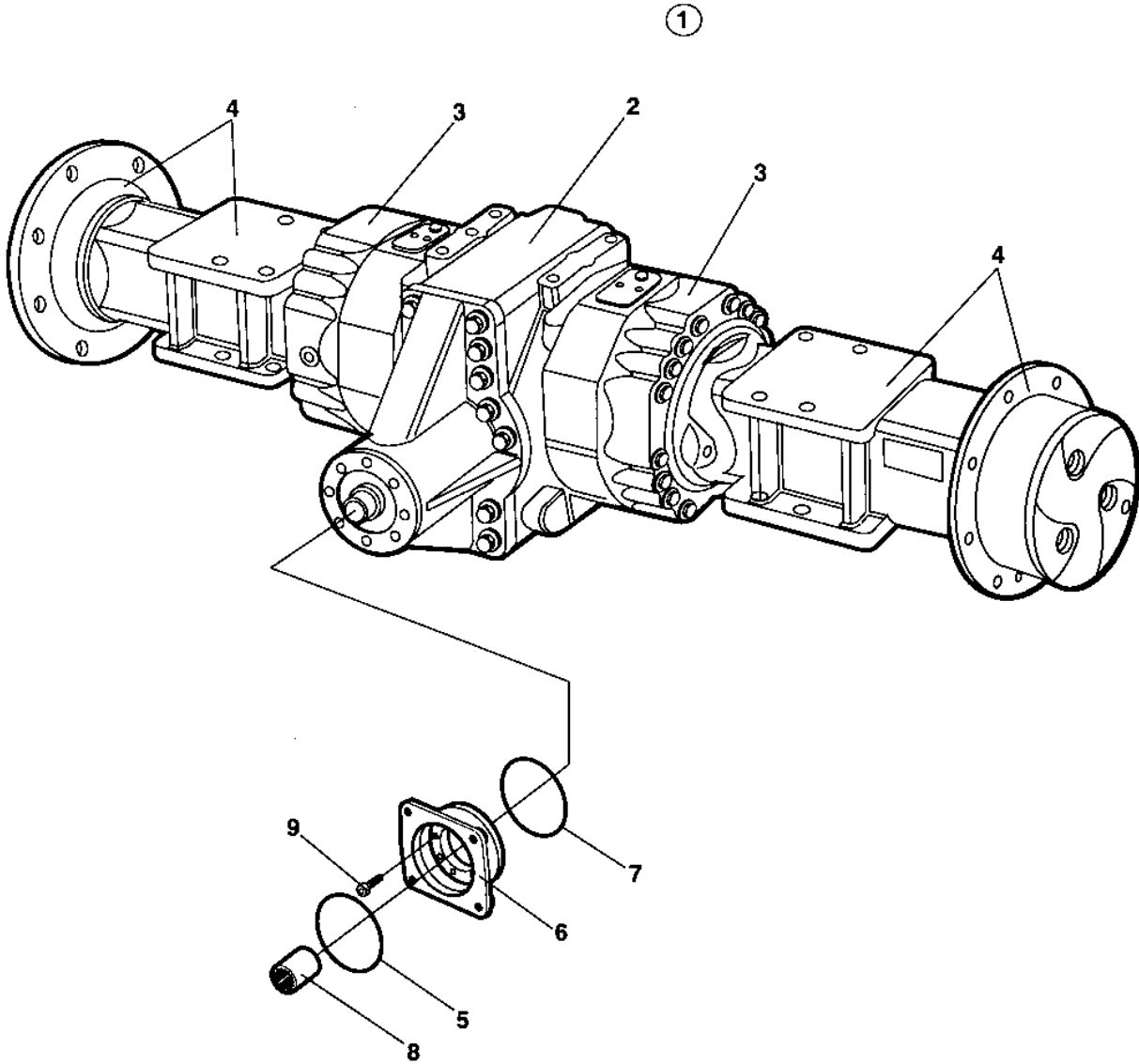
(L)OCAL REMARKS

A | en_US | All-weather wheel.

F | en_US | Premium.

G | en_US | Used with liquid filled tyres.

4812111833 Rear axle No-Spin 4812111833 Rear axle No-Spin

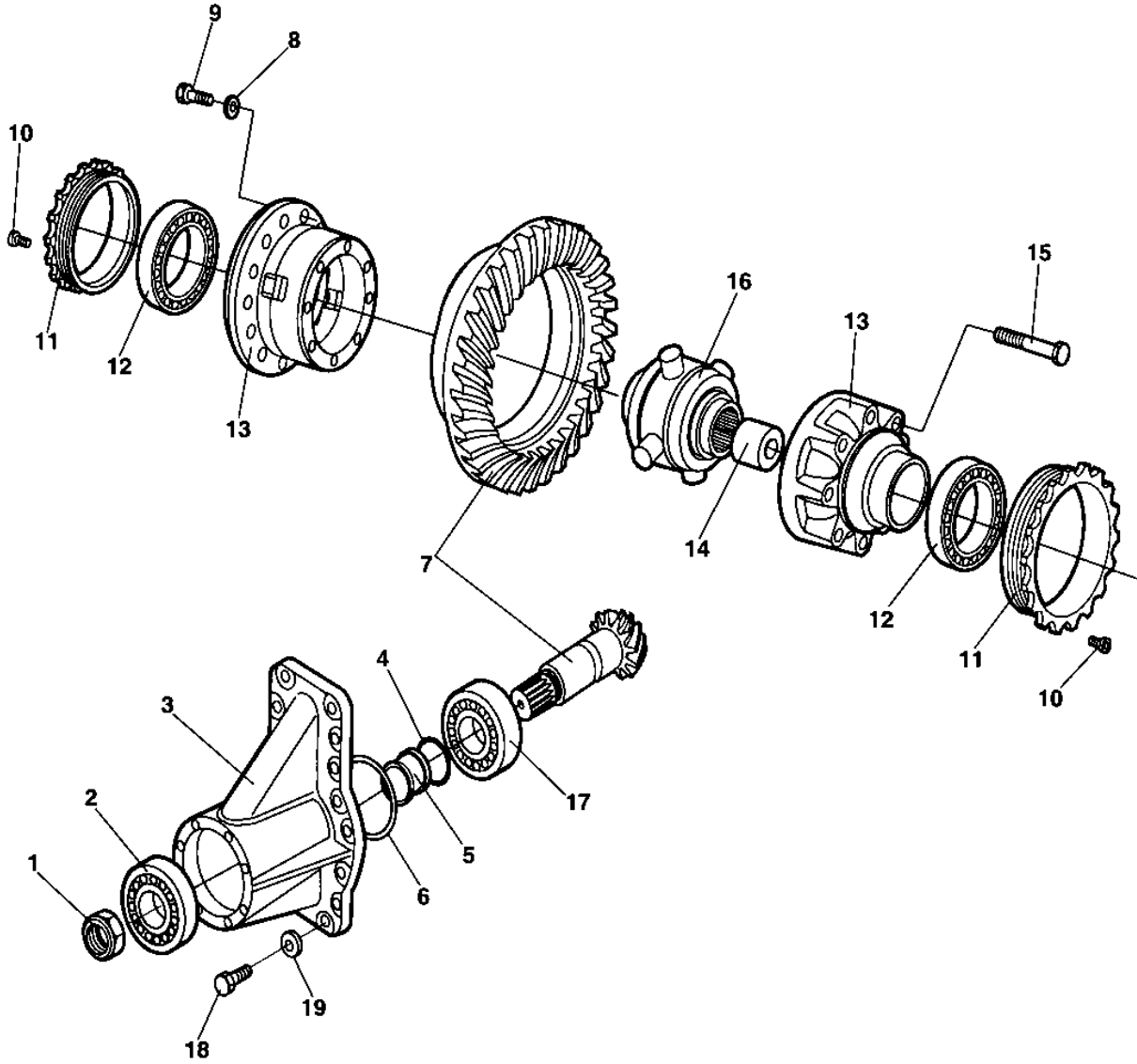


Refer to Parts Online for the most up to date information. The printed information might be outdated.

Fri Dec 11 01:17:40 MST 2015

| Item | Part No. | Name | Qty | L | SN INFO |
|------|------------|---------------------------------|-----|---|---------|
| 1 | 4812111833 | Rear axle No-Spin | 1 | | |
| 2 | - | Differential with no-spin | 1 | | |
| 3 | - | Differential housing and brakes | 2 | | |
| 4 | - | Planet gear | 2 | | |
| 5 | 4700909584 | O-ring | 1 | | |
| 6 | 4700900255 | Flange | 1 | | |
| 7 | 4700929648 | O-ring | 1 | | |
| 8 | 4812156887 | Splined sleeve | 1 | | |
| 9 | 4812156888 | Screw | 8 | | |

4812111833 Rear axle No-Spin Differential with no-spin

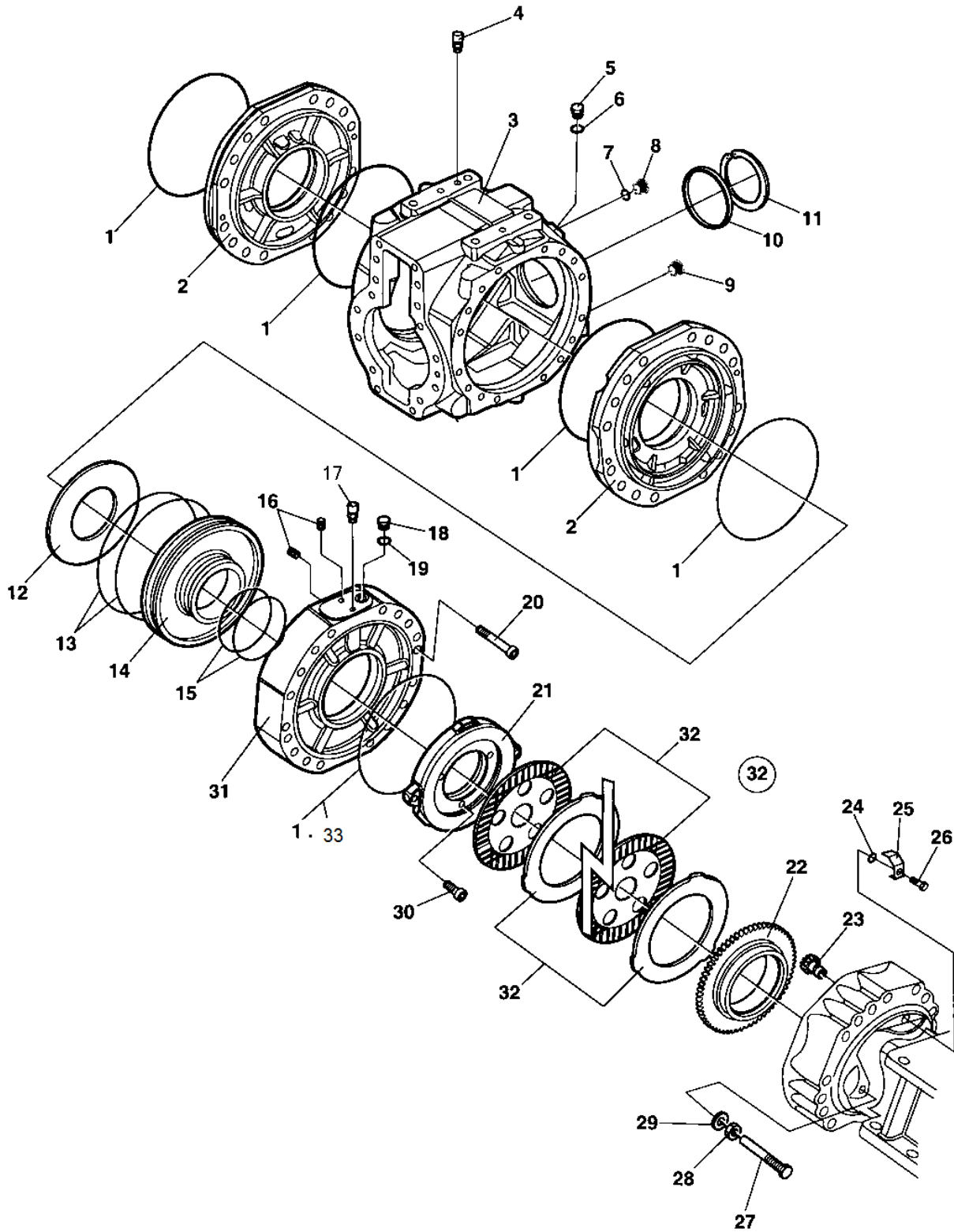


Refer to Parts Online for the most up to date information. The printed information might be outdated.

Fri Dec 11 01:17:40 MST 2015

| Item | Part No. | Name | Qty | L | SN INFO |
|------|------------|------------------------|-----|---|---------|
| 1 | 4700929638 | Nut | 1 | | |
| 2 | 4700909574 | Tapered roller bearing | 1 | | |
| 3 | 4700908485 | Housing | 1 | | |
| 4 | 4700939259 | Shim t = 0.15mm | 1 | | |
| 4 | 4700909580 | Shim t = 0.20mm | 1 | | |
| 4 | 4700909576 | Shim t = 0.30mm | 1 | | |
| 4 | 4700929644 | Shim t = 0.40mm | 1 | | |
| 4 | 4700939260 | Shim t = 0.50mm | 1 | | |
| 5 | 4700909567 | Spacer | 1 | | |
| 6 | 4700909568 | Shim t = 0.10mm | 1 | | |
| 6 | 4700909569 | Shim t = 0.20mm | 1 | | |
| 6 | 4700909570 | Shim t = 0.50mm | 1 | | |
| 6 | 4700939258 | Shim t = 0.15mm | 1 | | |
| 7 | 4700212553 | Bevel gear set | 1 | | |
| 9 | 4700938991 | Bolt | 16 | | |
| 10 | 4700938989 | Bolt | 2 | | |
| 11 | 4700939261 | Ring nut | 2 | | |
| 12 | 4700923342 | Tapered roller bearing | 1 | | |
| 13 | 4700929630 | Differential case | 1 | | |
| 14 | 4700929631 | Spacer | 1 | | |
| 15 | 4812156885 | Screw | 8 | | |
| 16 | 4700929626 | Non-spin unit | 1 | | |
| 17 | 4700909581 | Tapered roller bearing | 1 | | |
| 18 | 4812156886 | Bolt | 16 | | |
| 19 | 4700909572 | Spring washer | 16 | | |

4812111833 Rear axle No-Spin Differential housing and brakes

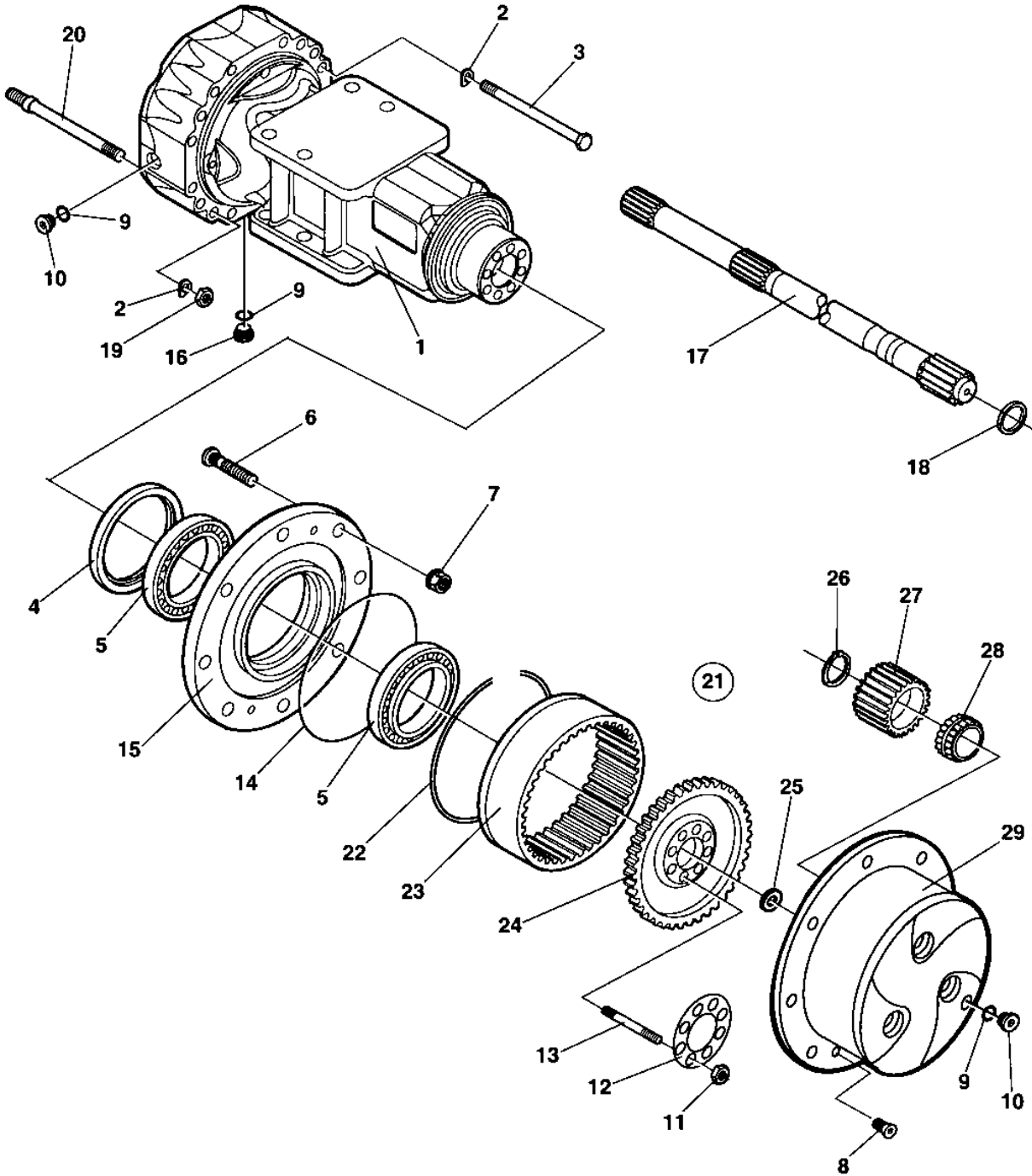


Refer to Parts Online for the most up to date information. The printed information might be outdated.

Fri Dec 11 01:17:41 MST 2015

| Item | Part No. | Name | Qty | L | SN INFO |
|------|------------|----------------|-----|---|---------|
| 1 | 4700909609 | O-ring | 6 | | |
| 2 | 4700939255 | Cover | 2 | | |
| 3 | 4700939256 | Housing | 1 | | |
| 4 | 4700938984 | Vent nipple | 1 | | |
| 5 | 4700909544 | Screw | 2 | | |
| 6 | 4700938983 | Seal washer | 2 | | |
| 7 | 4700330333 | Copper washer | 1 | | |
| 8 | 4700909596 | Plug | 1 | | |
| 9 | 4700926810 | Magnetic plug | 1 | | |
| 10 | 4700938296 | Plug | 1 | | |
| 11 | 4700929617 | Snap ring | 1 | | |
| 12 | 4700909616 | Spring | 2 | | |
| 13 | 4700909618 | O-ring | 4 | | |
| 14 | 4700939280 | Piston | 2 | | |
| 15 | 4700909619 | O-ring | 4 | | |
| 16 | 4700939281 | Bolt | 4 | | |
| 17 | 4700938984 | Vent nipple | 2 | | |
| 18 | 4700939282 | Bolt | 2 | | |
| 19 | 4700939036 | Sealing washer | 2 | | |
| 20 | 4700939035 | Screw | 4 | | |
| 21 | 4700939283 | Disc | 2 | | |
| 22 | 4700939285 | Ring | 2 | | |
| 23 | 4700909622 | Pinion | 2 | | |
| 24 | 4700900966 | O-ring | 2 | | |
| 25 | 4700939286 | Lock plate | 2 | | |
| 26 | 4700909624 | Screw | 2 | | |
| 27 | 4700909626 | Bolt | 4 | | |
| 28 | 4700900957 | Nut | 4 | | |
| 29 | 4700926847 | Sealing washer | 4 | | |
| 30 | 4700939026 | Screw | 6 | | |
| 31 | 4700939287 | Cover | 2 | | |
| 32 | 4700939284 | Brake disc kit | 2 | | |
| 32 | -- | Steel disc | 6 | | |
| 32 | -- | Steel disc | 6 | | |
| 33 | 4700909609 | O-ring | 2 | | |

4812111833 Rear axle No-Spin Planet gear

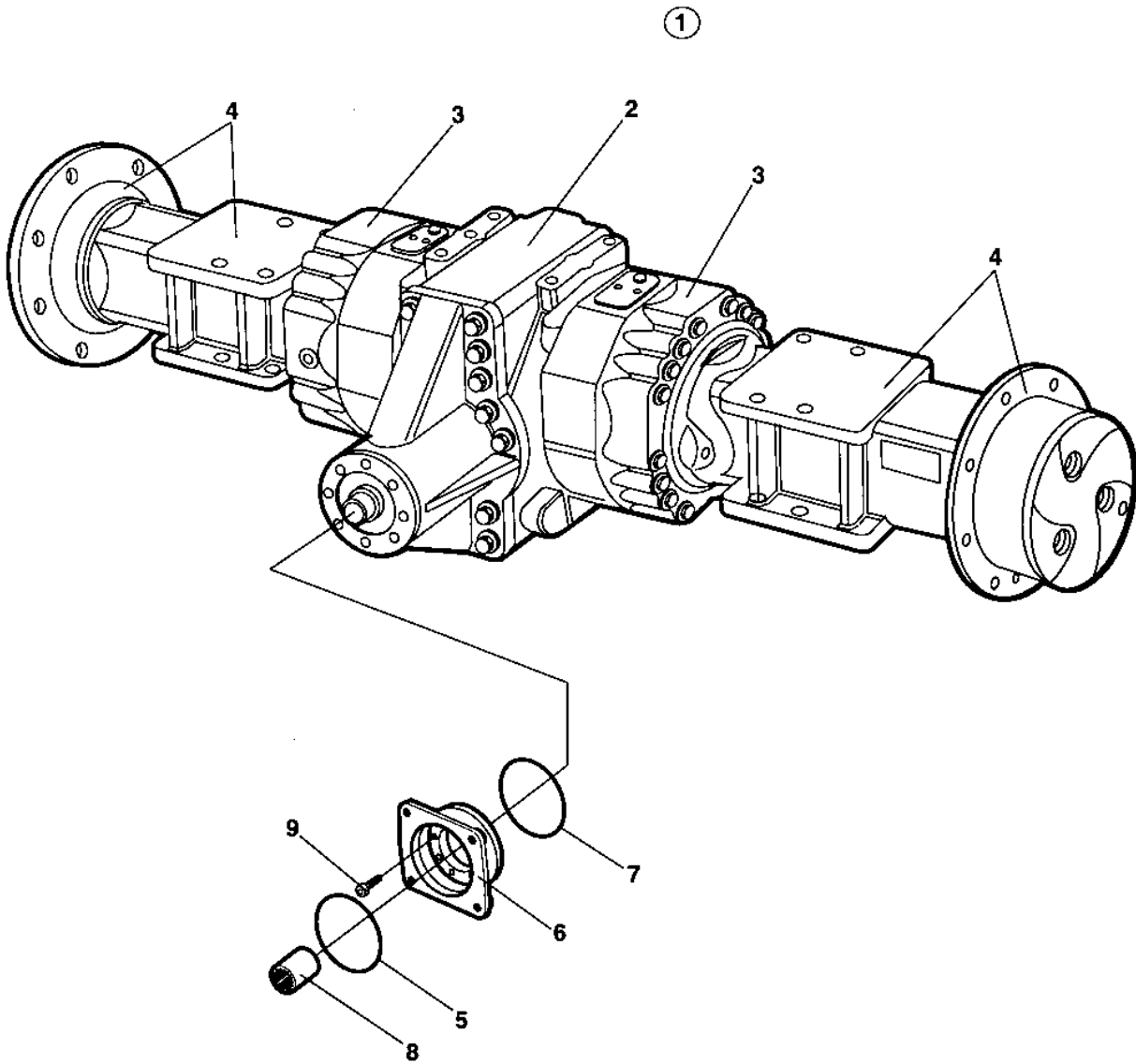


Refer to Parts Online for the most up to date information. The printed information might be outdated.

Fri Dec 11 01:17:41 MST 2015

| Item | Part No. | Name | Qty | L | SN INFO |
|------|------------|--------------------------|-----|---|---------|
| 1 | 4700939263 | Axle case | 2 | | |
| 2 | 4700939003 | Spring washer | 32 | | |
| 3 | 4700939264 | Bolt | 24 | | |
| 4 | 4700939265 | Seal | 2 | | |
| 5 | 4700939266 | Bearing | 4 | | |
| 6 | 4700926781 | Wheel screw | 20 | | |
| 7 | 4700901987 | Wheel nut | 20 | | |
| 8 | 4700939015 | Screw | 4 | | |
| 9 | 4700330333 | Copper washer | 6 | | |
| 10 | 4700909596 | Plug | 4 | | |
| 11 | 4700939016 | Nut | 20 | | |
| 12 | 4700939275 | Lock plate | 2 | | |
| 13 | 4700939017 | Stud | 20 | | |
| 14 | 4700909609 | O-ring | 2 | | |
| 15 | 4700939276 | Wheel hub | 2 | | |
| 16 | 4700939350 | Magnetic plug | 2 | | |
| 17 | 4700939277 | Half shaft | 2 | | |
| 18 | 4700909586 | Seal | 2 | | |
| 19 | 4700939019 | Nut | 8 | | |
| 20 | 4700939278 | Stud | 8 | | |
| 21 | 4700939351 | Planet gear carrier Cpl. | 2 | | |
| 22 | 4700939267 | Circlip | 2 | | |
| 23 | 4700939268 | Ring gear | 2 | | |
| 24 | 4700939269 | Ring gear support | 2 | | |
| 25 | 4700939270 | Washer | 2 | | |
| 26 | 4700939271 | Seal | 8 | | |
| 27 | 4700939272 | Planet gear | 8 | | |
| 28 | 4700939273 | Bearing | 8 | | |
| 29 | 4700939349 | Planet gear carrier Cpl. | 2 | | |

4812111832 Rear axle Limited-Slip 4812111832 Rear axle Limited-Slip

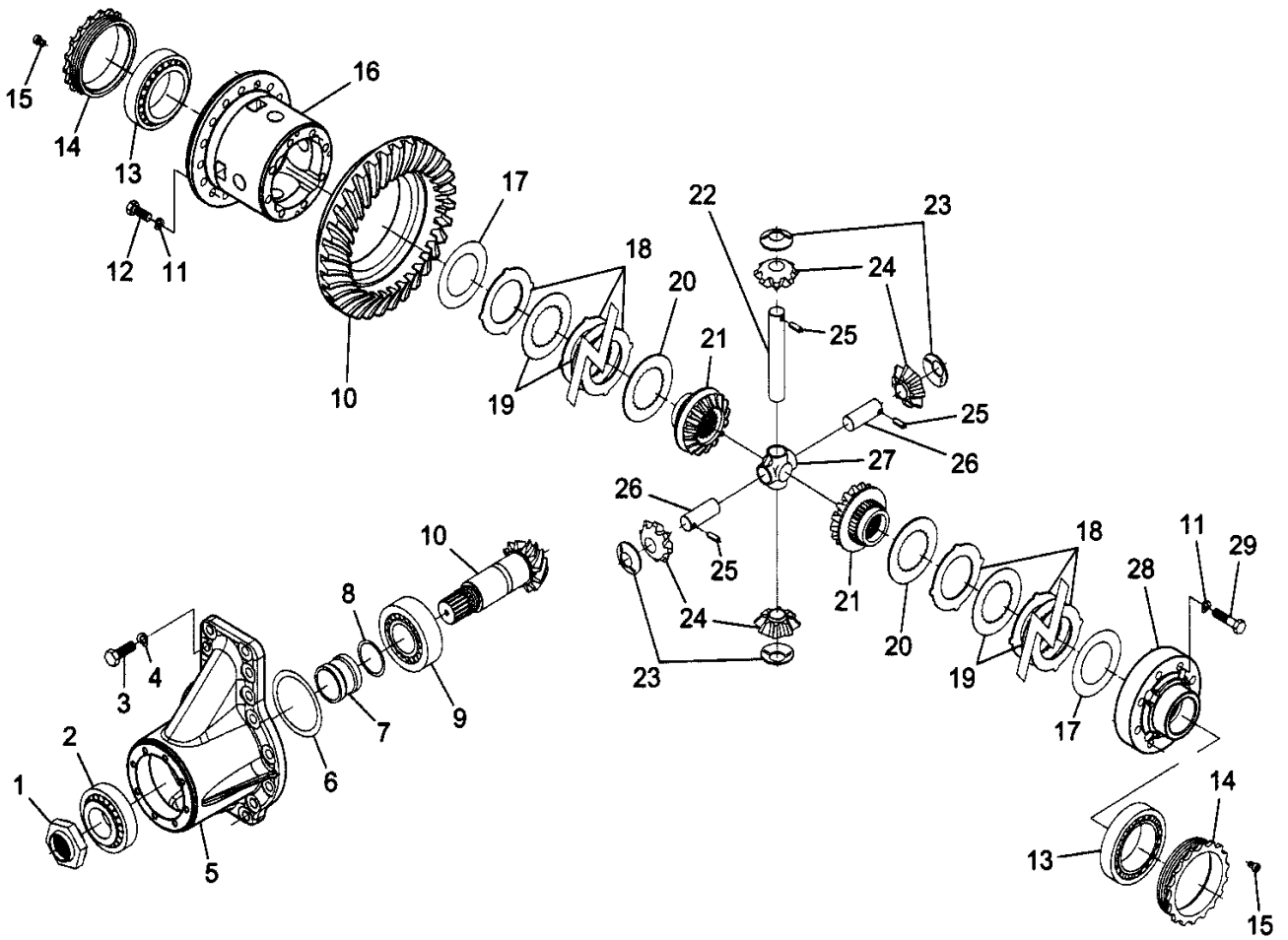


Refer to Parts Online for the most up to date information. The printed information might be outdated.

Fri Dec 11 01:17:42 MST 2015

| Item | Part No. | Name | Qty | L | SN INFO |
|------|------------|----------------------------|-----|---|---------|
| 1 | - | Rear axle | 1 | | |
| 2 | - | Differential | 1 | | |
| 3 | - | Central housing and brakes | 2 | | |
| 4 | - | Hub reduction | 2 | | |
| 5 | 4700909584 | O-ring | 1 | | |
| 6 | 4700900255 | Flange | 1 | | |
| 7 | 4700929648 | O-ring | 1 | | |
| 8 | 4812156887 | Splined sleeve | 1 | | |
| 9 | 4812156888 | Screw | 8 | | |

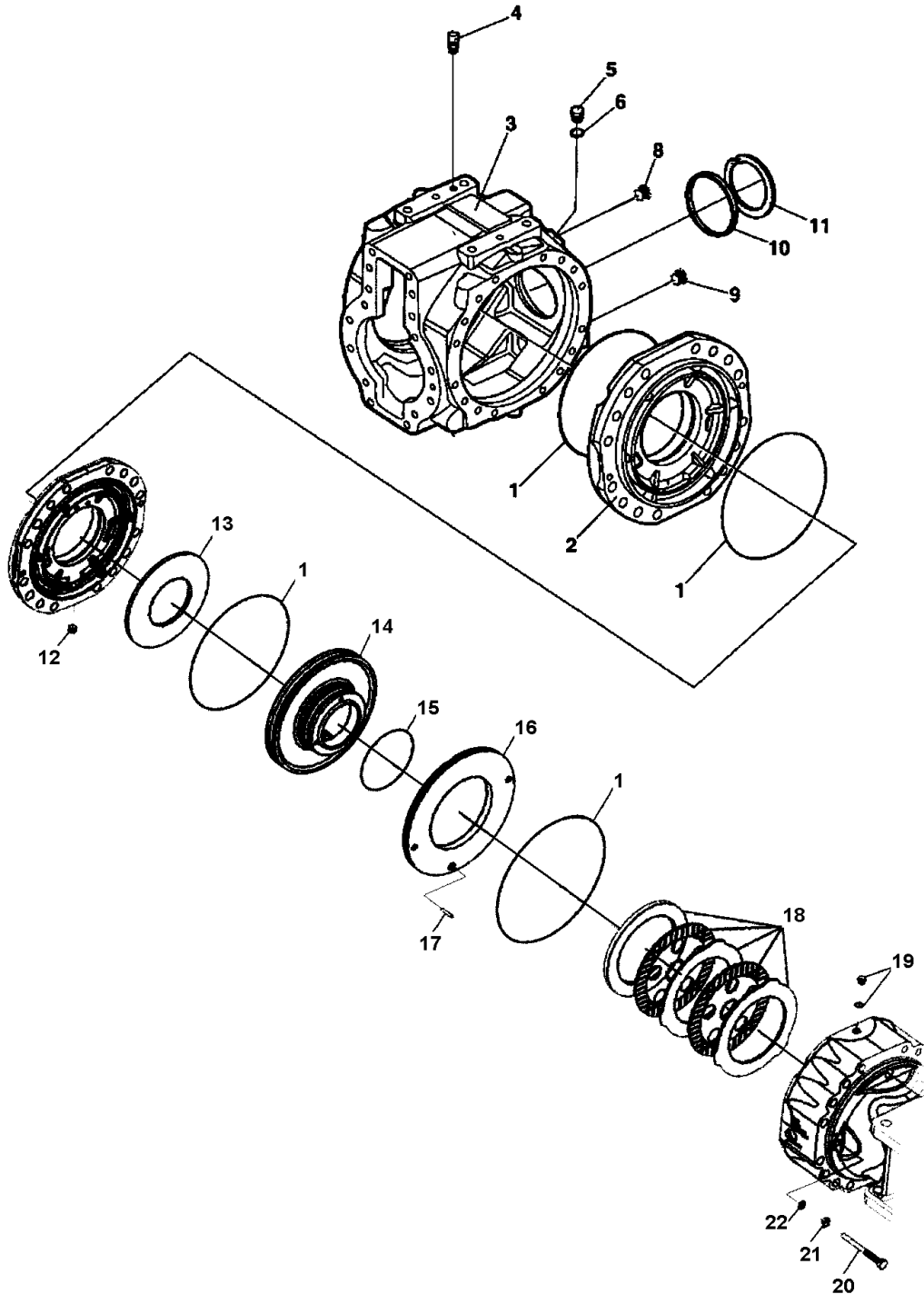
4812111832 Rear axle Limited-Slip Differential



Refer to Parts Online for the most up to date information. The printed information might be outdated.

Fri Dec 11 01:17:42 MST 2015

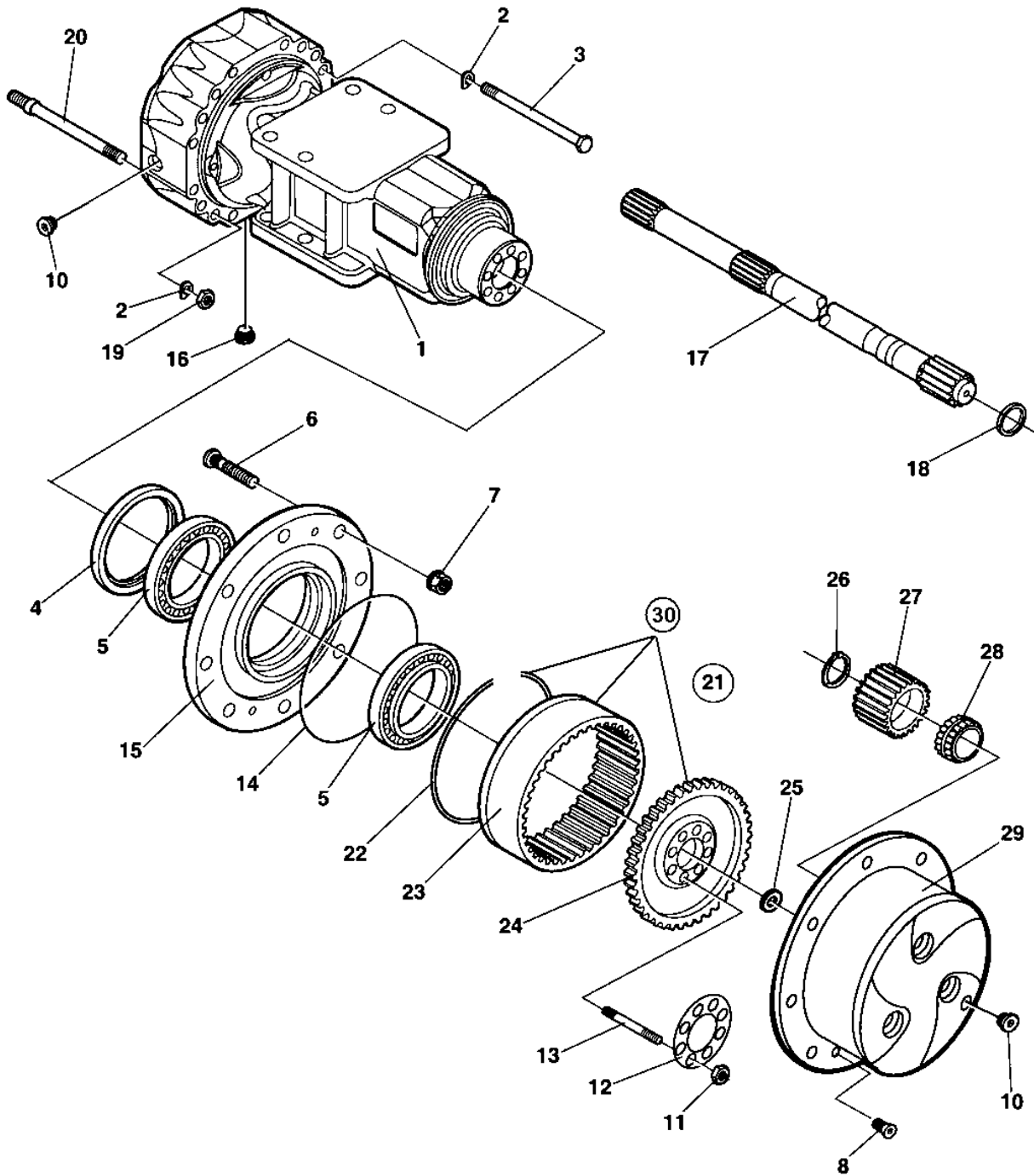
| Item | Part No. | Name | Qty | L | SN INFO |
|------|------------|----------------------------|-----|---|---------|
| 1 | 4700929638 | Nut | 1 | | |
| 2 | 4700909574 | Tapered roller bearing | 1 | | |
| 3 | 4812156886 | Bolt | 16 | | |
| 4 | 4700909572 | Spring washer | 16 | | |
| 5 | 4700908485 | Housing | 1 | | |
| 6 | 4700909568 | Shim t = 0.10mm | 1 | | |
| 6 | 4700909569 | Shim t = 0.20mm | 1 | | |
| 6 | 4700909570 | Shim t = 0.50mm | 1 | | |
| 6 | 4700939258 | Shim t = 0.15mm | 1 | | |
| 7 | 4700909567 | Spacer | 1 | | |
| 8 | 4700939259 | Shim t = 0.15mm | 1 | | |
| 8 | 4700909580 | Shim t = 0.20mm | 1 | | |
| 8 | 4700909576 | Shim t = 0.30mm | 1 | | |
| 8 | 4700929644 | Shim t = 0.40mm | 1 | | |
| 8 | 4700939260 | Shim t = 0.50mm | 1 | | |
| 9 | 4700909581 | Tapered roller bearing | 1 | | |
| 10 | 4700212553 | Bevel gear set | 1 | | |
| 12 | 4700938991 | Bolt | 16 | | |
| 13 | 4700923342 | Tapered roller bearing | 2 | | |
| 14 | 4700939261 | Ring nut | 2 | | |
| 15 | 4700938989 | Bolt | 2 | | |
| 16 | 4700909550 | Differential carrier | 1 | | |
| 17 | 4700909551 | Shim t = 0.30mm | 1 | | |
| 17 | 4700909553 | Shim t = 0.10mm | 1 | | |
| 17 | 4700909552 | Shim t = 0.40mm | 1 | | |
| 19 | 4700909554 | Disc | 8 | | |
| 20 | 4700909557 | Disc | 2 | | |
| 21 | 4700909558 | Differential side gear | 2 | | |
| 22 | 4812156962 | Pin | 1 | | |
| 23 | 4812156963 | Friction washer | 4 | | |
| 24 | 4700926757 | Differential pinion | 4 | | |
| 25 | 4700909561 | Roll pin | 3 | | |
| 26 | 4812156964 | Differential Shaft | 2 | | |
| 27 | 4700909565 | Shaft retainer | 1 | | |
| 28 | 4700909562 | Differential carrier cover | 1 | | |
| 29 | 4812156965 | Bolt | 8 | | |

4812111832 Rear axle Limited-Slip Central housing and brakes

Refer to Parts Online for the most up to date information. The printed information might be outdated.

Fri Dec 11 01:17:43 MST 2015

| Item | Part No. | Name | Qty | L | SN INFO |
|------|------------|----------------|-----|---|---------|
| 1 | 4700909609 | O-ring | 8 | | |
| 2 | 4812156883 | Cover | 2 | | |
| 3 | 4812156884 | Housing | 1 | | |
| 4 | 4700938984 | Vent nipple | 1 | | |
| 5 | 4700909544 | Screw | 2 | | |
| 6 | 4700938983 | Seal washer | 2 | | |
| 8 | 4700939348 | Plug | 1 | | |
| 9 | 4700926810 | Magnetic plug | 1 | | |
| 10 | 4700938296 | Plug | 1 | | |
| 11 | 4700929617 | Snap ring | 1 | | |
| 12 | 4812156959 | Bolt | 2 | | |
| 13 | 4700909616 | Spring | 2 | | |
| 14 | 4812156953 | Piston | 2 | | |
| 15 | 4812156954 | O-ring | 2 | | |
| 16 | 4812156955 | Ring | 2 | | |
| 17 | 4812156956 | Dowel | 2 | | |
| 18 | 4812156957 | Brake disc kit | 2 | | |
| 19 | 4812156958 | Plug | 2 | | |
| 20 | 4700909626 | Bolt | 4 | | |
| 21 | 4700900957 | Nut | 4 | | |
| 22 | 4700926847 | Sealing washer | 4 | | |

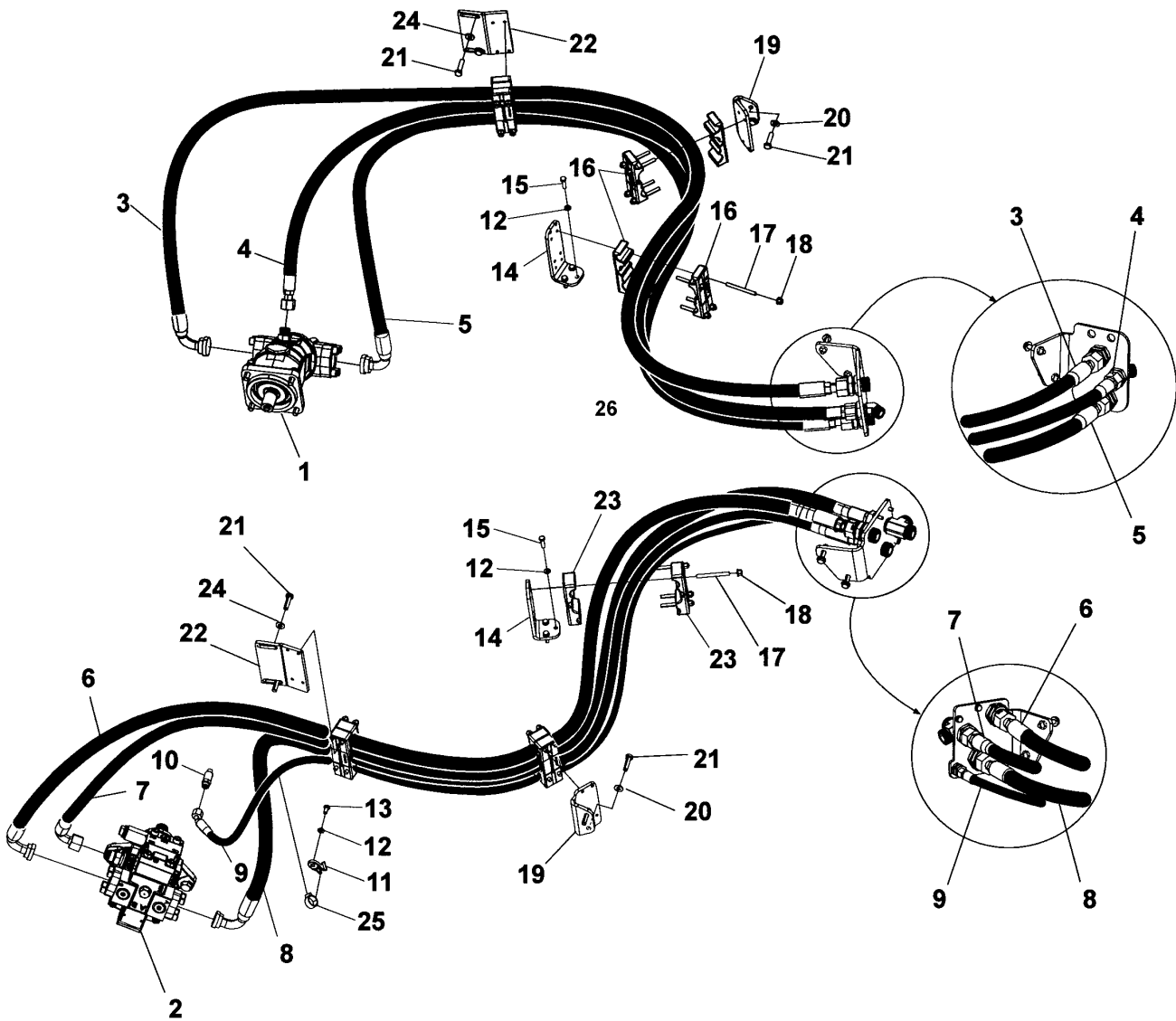
4812111832 Rear axle Limited-Slip Hub reduction

Refer to Parts Online for the most up to date information. The printed information might be outdated.

Fri Dec 11 01:17:43 MST 2015

| Item | Part No. | Name | Qty | L | SN INFO |
|------|------------|--------------------------|-----|---|---------|
| 1 | 4812156892 | Axle case | 2 | | |
| 2 | 4812156893 | Spring washer | 32 | | |
| 3 | 4812156894 | Bolt | 24 | | |
| 4 | 4700939265 | Seal | 2 | | |
| 5 | 4700939266 | Bearing | 4 | | |
| 6 | 4700926781 | Wheel screw | 20 | | |
| 7 | 4700901987 | Wheel nut | 20 | | |
| 8 | 4700939015 | Screw | 4 | | |
| 10 | 4700939348 | Plug | 4 | | |
| 11 | 4812156896 | Nut | 20 | | |
| 12 | 4700939275 | Lock plate | 2 | | |
| 13 | 4812156897 | Stud | 20 | | |
| 14 | 4700909609 | O-ring | 2 | | |
| 15 | 4700939276 | Wheel hub | 2 | | |
| 16 | 4700939350 | Magnetic plug | 2 | | |
| 17 | 4812156898 | Half shaft | 2 | | |
| 18 | 4700909586 | Seal | 2 | | |
| 19 | 4700926813 | Nut | 8 | | |
| 20 | 4812156899 | Stud | 8 | | |
| 21 | 4700939349 | Planet gear carrier Cpl. | 2 | | |
| 22 | 4700939267 | Circlip | 2 | | |
| 23 | 4812156895 | Ring gear | 2 | | |
| 24 | 4700939269 | Ring gear support | 2 | | |
| 25 | 4700939270 | Washer | 2 | | |
| 26 | 4700939271 | Seal | 8 | | |
| 27 | 4700939272 | Planet gear | 8 | | |
| 28 | 4700939273 | Bearing | 8 | | |
| 29 | 4812156951 | Planet gear carrier | 2 | | |
| 30 | 4812156952 | Ring gear support, Cpl | 2 | | |

Hydraulic system, drum Hydraulic system, drum

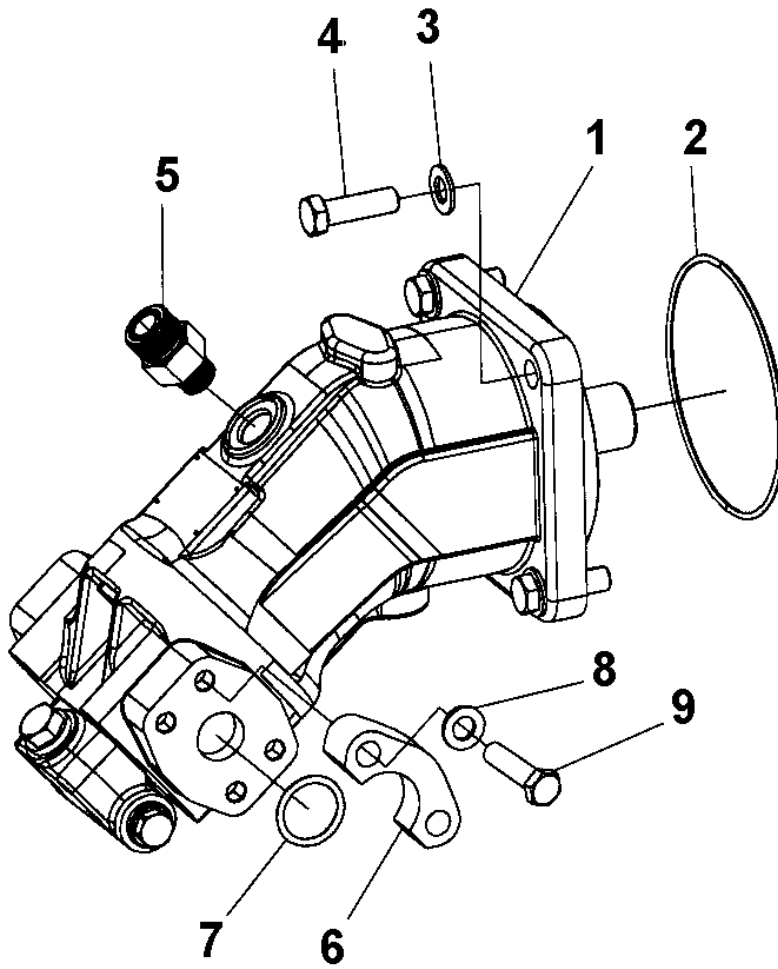


Refer to Parts Online for the most up to date information. The printed information might be outdated.

Fri Dec 11 01:17:45 MST 2015

| Item | Part No. | Name | Qty | L | SN INFO |
|------|------------|----------------------------------|-----|---|---------|
| 1 | - | Hydraulic motor | 1 | | |
| 2 | - | Hydraulic motor | 1 | | |
| 3 | 4811000238 | Hydraulic hose | 1 | | |
| 4 | 4811000239 | Hydraulic hose | 1 | | |
| 5 | 4811000240 | Hydraulic hose | 1 | | |
| 6 | 4811000235 | Hydraulic hose | 1 | | |
| 7 | 4811000234 | Hydraulic hose | 1 | | |
| 8 | 4811000236 | Hydraulic hose | 1 | | |
| 9 | 4811000237 | Hydraulic hose | 1 | | |
| 10 | 4811000416 | Straight connector orfs | 1 | | |
| 11 | 4812117326 | Cable tie holder | 1 | | |
| 12 | 4700904229 | Steel plain washer | 7 | | |
| 13 | 4700500019 | Hex. screw | 1 | | |
| 14 | 4812112308 | Bracket | 2 | | |
| 15 | 4700500022 | Screw | 6 | | |
| 16 | 4812112304 | Hose holder | 6 | | |
| 17 | 4700791860 | Stud | 24 | | |
| 18 | 4700902286 | Lock nut, M8x1.25 mm A2K | 24 | | |
| 19 | 4812113963 | Bracket | 2 | | |
| 20 | 4700904230 | Washer 10.5x22x2 mm 300 HV | 4 | | |
| 21 | 4700500028 | Hexagon head screw M10x025H, 8.8 | 8 | | |
| 22 | 4812113569 | Bracket | 2 | | |
| 23 | 4812112306 | Hose holder | 6 | | |
| 24 | 4700904557 | Washer, 10.5x22x4 mm 300 HV | 4 | | |
| 25 | 4812117325 | Cable tie | 1 | | |
| 26 | 4812115835 | Cable tie | N | | |

Hydraulic system, drum Hydraulic motor

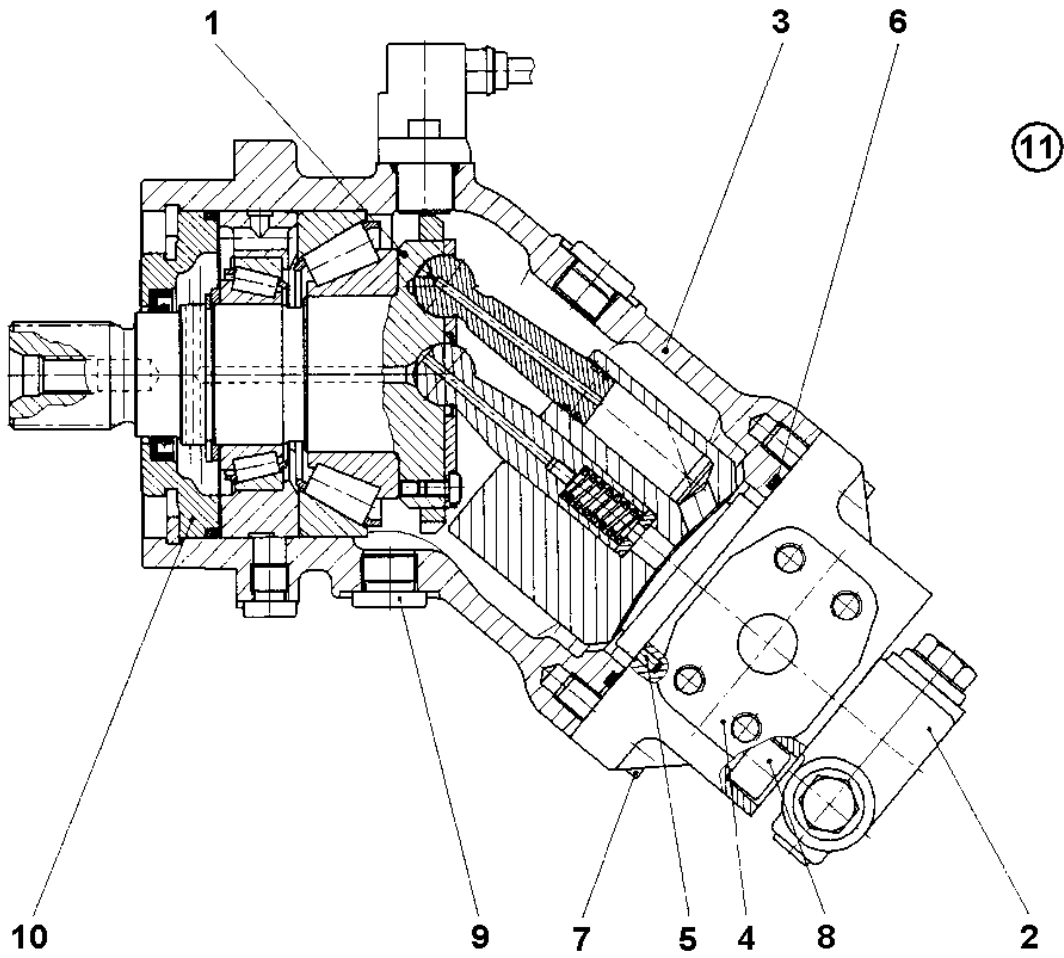


Refer to Parts Online for the most up to date information. The printed information might be outdated.

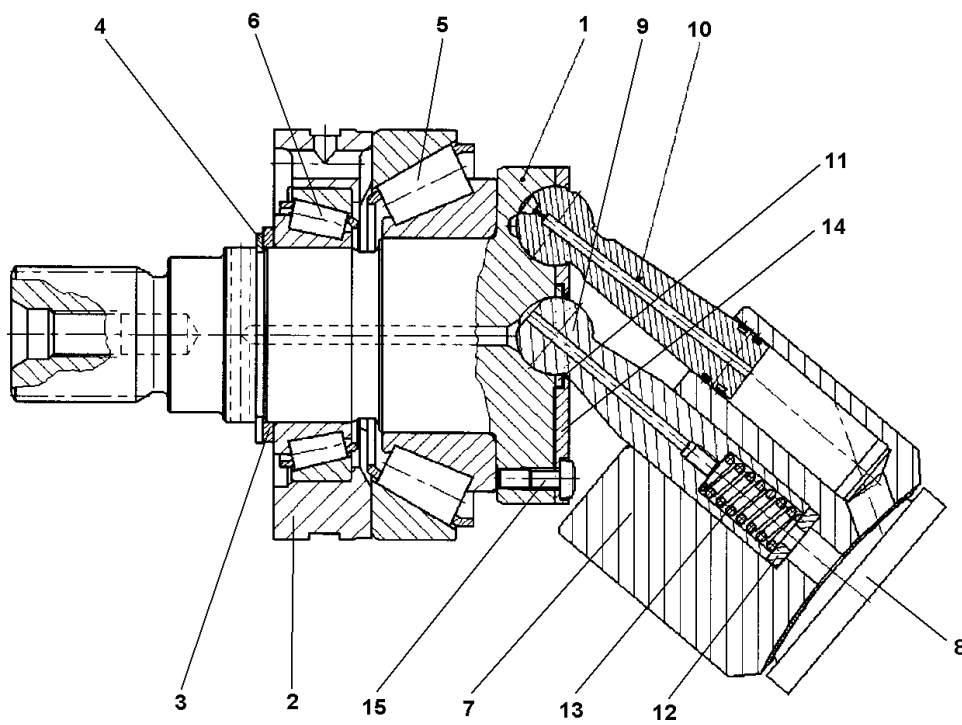
Fri Dec 11 01:17:45 MST 2015

| Item | Part No. | Name | Qty | L | SN INFO |
|------|------------|---------------------------------------|-----|---|---------|
| 1 | 4812116969 | Hydraulic motor | 1 | | |
| 2 | 4700160132 | O-ring 70 | 1 | | |
| 3 | 4700904231 | Steel plain washer, 13x24x2 mm 300 HV | 4 | | |
| 4 | 4700500194 | Hex. screw | 4 | | |
| 5 | 4811000074 | Straight connector orfs | 1 | | |
| 6 | 4700923384 | Split flange | 4 | | |
| 7 | 4700904005 | O-ring | 2 | | |
| 8 | 4700904638 | Washer 12x22x2 | 8 | | |
| 9 | 4700903906 | Hexagon head screw m | 8 | | |

4812116969 Hydraulic motor 4812116969 Hydraulic motor



| Item | Part No. | Name | Qty | L | SN INFO |
|------|------------|------------------------------|-----|---|---------|
| 1 | - | Rotary group | 1 | | |
| 2 | 4812157180 | Flush & boost pressure valve | 1 | | |
| 3 | - | Housing | 1 | | |
| 4 | - | Subplate | 1 | | |
| 5 | - | Dowel | 1 | | |
| 6 | 4700950634 | O-ring | 1 | | |
| 7 | - | Cap screw | 2 | | |
| 8 | - | Cap screw | 4 | | |
| 9 | - | Screw | 1 | | |
| 10 | - | Lock ring | 1 | | |
| 11 | 4812158155 | Seal kit, cpl | 1 | | |

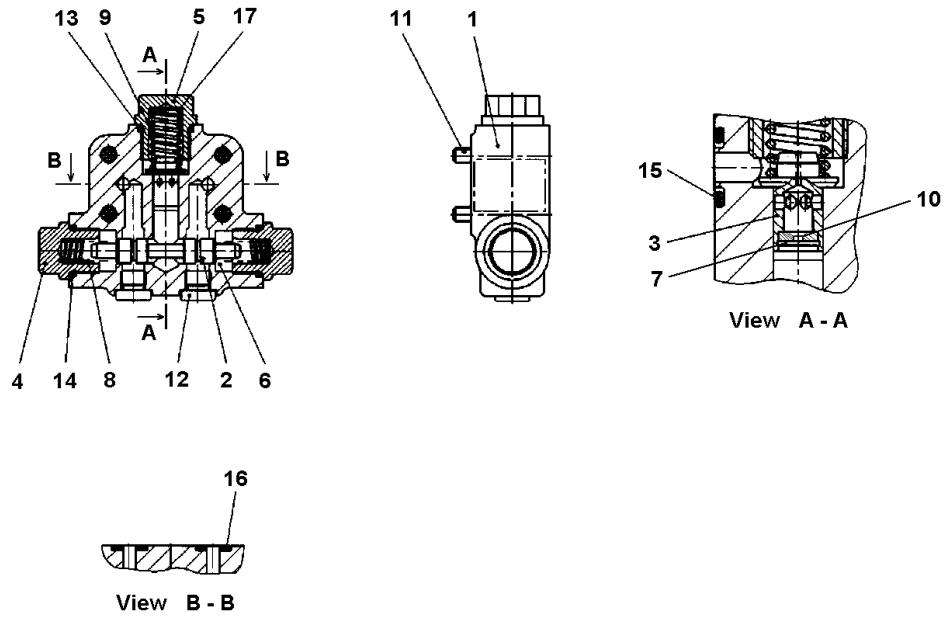
4812116969 Hydraulic motor Rotary group

Refer to Parts Online for the most up to date information. The printed information might be outdated.

Fri Dec 11 01:17:46 MST 2015

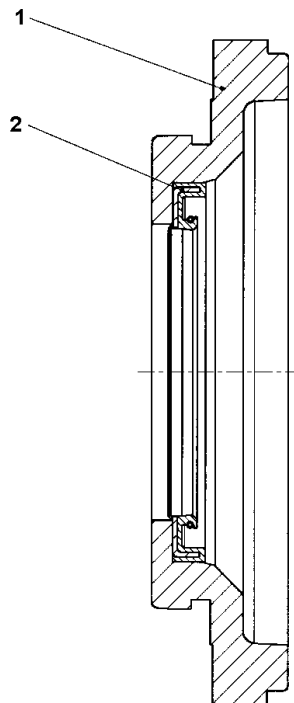
| Item | Part No. | Name | Qty | L | SN INFO |
|------|------------|--------------------------|-----|---|---------|
| 1 | - | Drive shaft | 1 | | |
| 2 | 4700950631 | Bearing ring | 1 | | |
| 3 | - | Supporting disc | 1 | | |
| 4 | - | Circlip | 1 | | |
| 5 | 4700950632 | Bearing | 1 | | |
| 6 | 4812157182 | Bearing | 1 | | |
| 7 | - | Cylinder | 1 | | |
| 8 | - | Control panel | 1 | | |
| 9 | - | Center pin | 1 | | |
| 10 | - | Piston with piston rings | 7 | | |
| 11 | - | Washer | 1 | | |
| 12 | - | Shim | 1 | | |
| 13 | - | Pressure spring | 1 | | |
| 14 | - | Retaining plate | 1 | | |
| 15 | - | Slotted screw | 7 | | |

4812116969 Hydraulic motor 4812157180 Flush & boost pressure valve



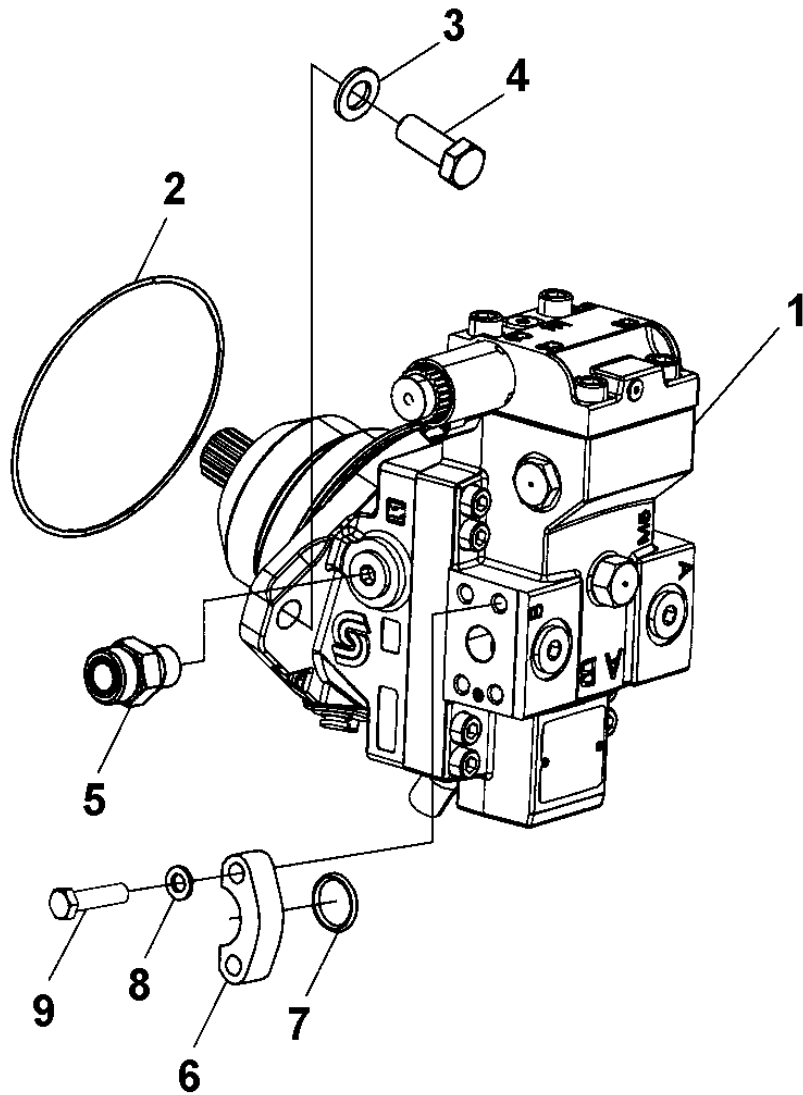
| Item | Part No. | Name | Qty | L | SN INFO |
|------|------------|---------------------------|-----|---|---------|
| 1 | - | Housing | 1 | | |
| 2 | - | Flushing piston | 1 | | |
| 3 | - | Valve piston | 1 | | |
| 4 | - | Locking screw | 2 | | |
| 5 | - | Locking screw | 1 | | |
| 6 | - | Washer | 2 | | |
| 7 | - | Retaining ring | 1 | | |
| 8 | - | Pressure spring | 2 | | |
| 9 | - | Pressure spring | 1 | | |
| 10 | - | Orifice | 1 | | |
| 11 | - | Socket head screw | 4 | | |
| 12 | 4812160294 | Locking screw with o-ring | 2 | | |
| 13 | 4812157460 | O-ring | 1 | | |
| 14 | 4812157170 | O-ring | 2 | | |
| 15 | 4812157184 | O-ring | 1 | | |
| 16 | 4812157185 | O-ring | 2 | | |
| 17 | - | Shim | 1 | | |

4812116969 Hydraulic motor Lock ring



| Item | Part No. | Name | Qty | L | SN INFO |
|------|------------|--------------------|-----|---|---------|
| 1 | 4812157187 | Lock ring | 1 | | |
| 2 | 4812157186 | Shaft sealing ring | 1 | | |

Hydraulic system, drum Hydraulic motor

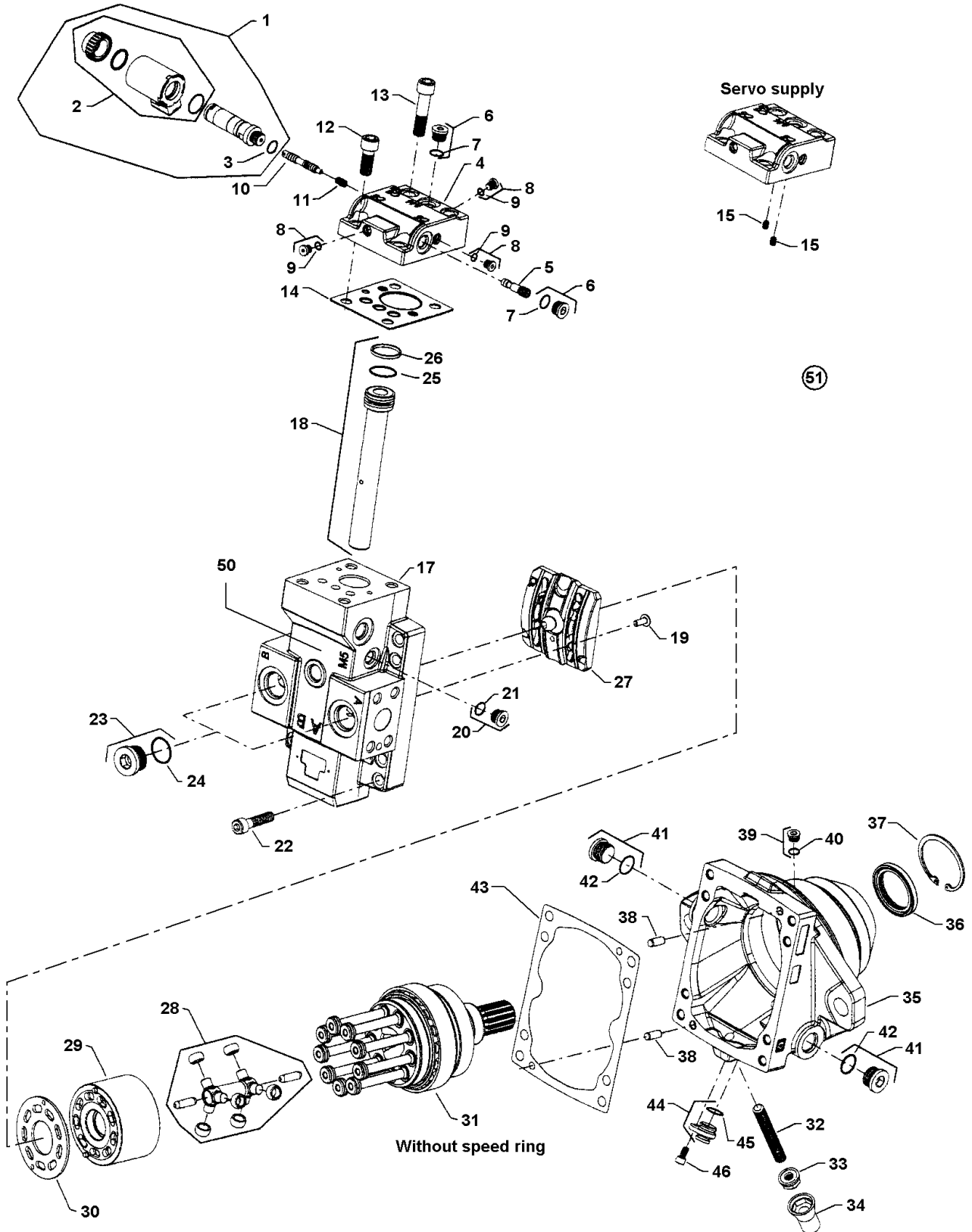


Refer to Parts Online for the most up to date information. The printed information might be outdated.

Fri Dec 11 01:17:47 MST 2015

| Item | Part No. | Name | Qty | L | SN INFO |
|------|------------|-------------------------|-----|---|---------|
| 1 | 4812112200 | Hydraulic motor | 1 | | |
| 2 | 4700160043 | O-ring | 1 | | |
| 3 | 4700904232 | Steel plain washer | 2 | | |
| 4 | 4700500093 | Hex. screw | 2 | | |
| 5 | 4812115051 | Straight connector orfs | 1 | | |
| 6 | 4700929226 | Flange half | 4 | | |
| 7 | 4700904004 | O-ring 90 | 2 | | |
| 8 | 4700904637 | Washer | 8 | | |
| 9 | 4700500030 | Hexagon head screw M | 8 | | |

4812112200 Hydraulic motor 4812112200 Hydraulic motor



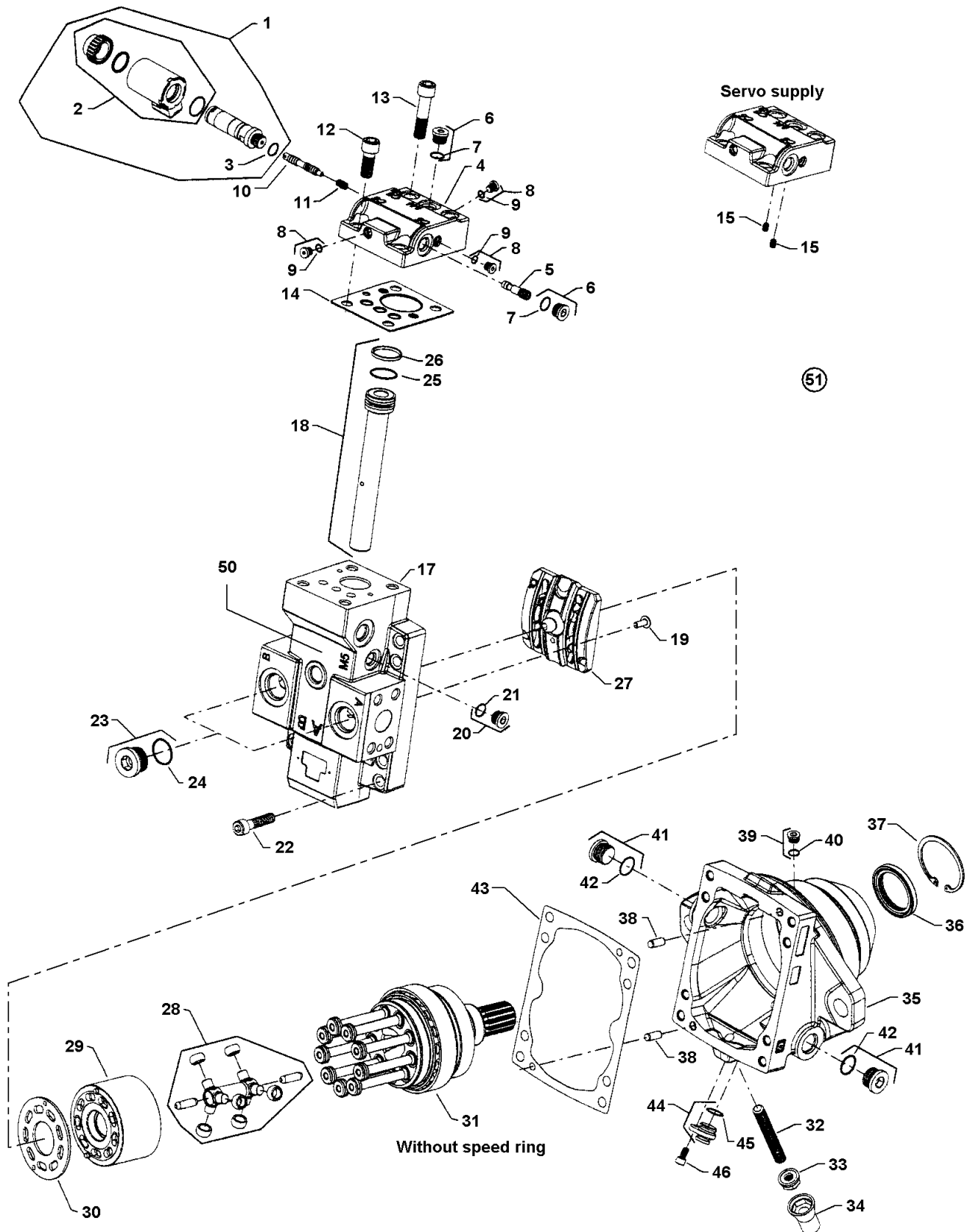
Refer to Parts Online for the most up to date information. The printed information might be outdated.

Fri Dec 11 01:17:48 MST 2015

| Item | Part No. | Name | Qty | L | SN INFO |
|------|------------|---|-----|---|---------|
| 1 | 4812157074 | Solenoid On/off, 24 volt | 1 | | |
| 2 | 4812157075 | Coil kit, 24 volt | 1 | | |
| 3 | -- | O-ring | 1 | | |
| 4 | - | Control housing, 2 position | 1 | | |
| 5 | 4812156999 | Shuttle valve assembly | 1 | | |
| 6 | 4700908432 | Plug | 2 | | |
| 7 | 4700923087 | O-ring | 2 | | |
| 8 | 4812158398 | Plug assembly | 3 | | |
| 9 | 4700908440 | O-ring | 3 | | |
| 10 | 4812157051 | Spool | 1 | | |
| 11 | 4812157052 | Spring | 1 | | |
| 12 | - | Screw | 2 | | |
| 13 | - | Screw | 2 | | |
| 14 | 4812157053 | Control seal | 1 | | |
| 15 | - | Orifice plug, 1.2 mm | 1 | | |
| 17 | - | End cap | 1 | | |
| 18 | 4812157054 | Servo piston | 1 | | |
| 19 | - | Button head screw | 1 | | |
| 20 | - | Plug assembly | 1 | | |
| 21 | -- | O-ring | 1 | | |
| 22 | - | Screw | 8 | | |
| 23 | - | Plug assembly | 2 | | |
| 24 | -- | O-ring | 2 | | |
| 25 | - | O-ring | 1 | | |
| 26 | - | Piston ring | 1 | | |
| 27 | 4812157055 | Valve segment assembly | 1 | | |
| 28 | 4812160876 | Synch shaft assembly | 1 | | |
| 29 | - | Cylinder block assembly | 1 | | |
| 30 | 4812157056 | Bearing plate | 1 | | |
| 31 | - | Shaft assembly, 14 tooth, DIN | 1 | | |
| 32 | - | Set screw, 0-19cc, M12x65mm | 1 | | |
| 33 | 4700909525 | Seal nut | 1 | | |
| 34 | 4700902996 | Plastic cap, green | 1 | | |
| 35 | - | Housing, cartridge with speed sensor port | 1 | | |
| 36 | 4812157058 | Lip seal | 1 | | |
| 37 | 4812157059 | Retaining ring | 1 | | |
| 38 | - | Pin | 2 | | |

Refer to Parts Online for the most up to date information. The printed information might be outdated.

Fri Dec 11 01:17:48 MST 2015

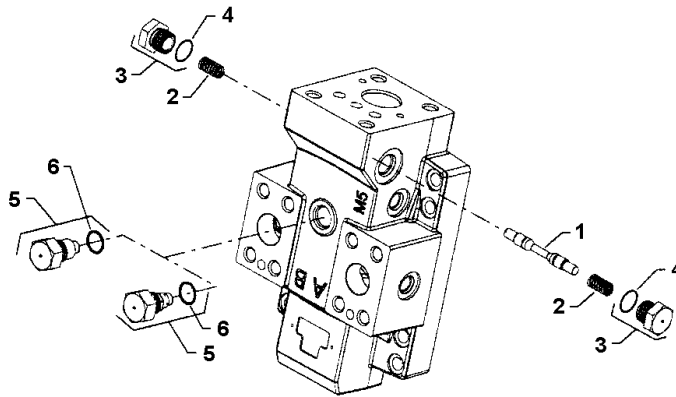


Refer to Parts Online for the most up to date information. The printed information might be outdated.

Fri Dec 11 01:17:48 MST 2015

| Item | Part No. | Name | Qty | L | SN INFO |
|------|------------|---------------|-----|---|---------|
| 39 | - | Plug assembly | 1 | | |
| 40 | -- | O-ring | 1 | | |
| 41 | - | Plug assembly | 2 | | |
| 42 | -- | O-ring | 2 | | |
| 43 | 4812157064 | Gasket | 1 | | |
| 44 | - | Plug assembly | 1 | | |
| 45 | 4812157057 | O-ring | 1 | | |
| 46 | - | Screw | 1 | | |
| 50 | - | Loop flushing | 1 | | |
| 51 | 4812158154 | Seal kit, cpl | 1 | | |

4812112200 Hydraulic motor Loop flushing

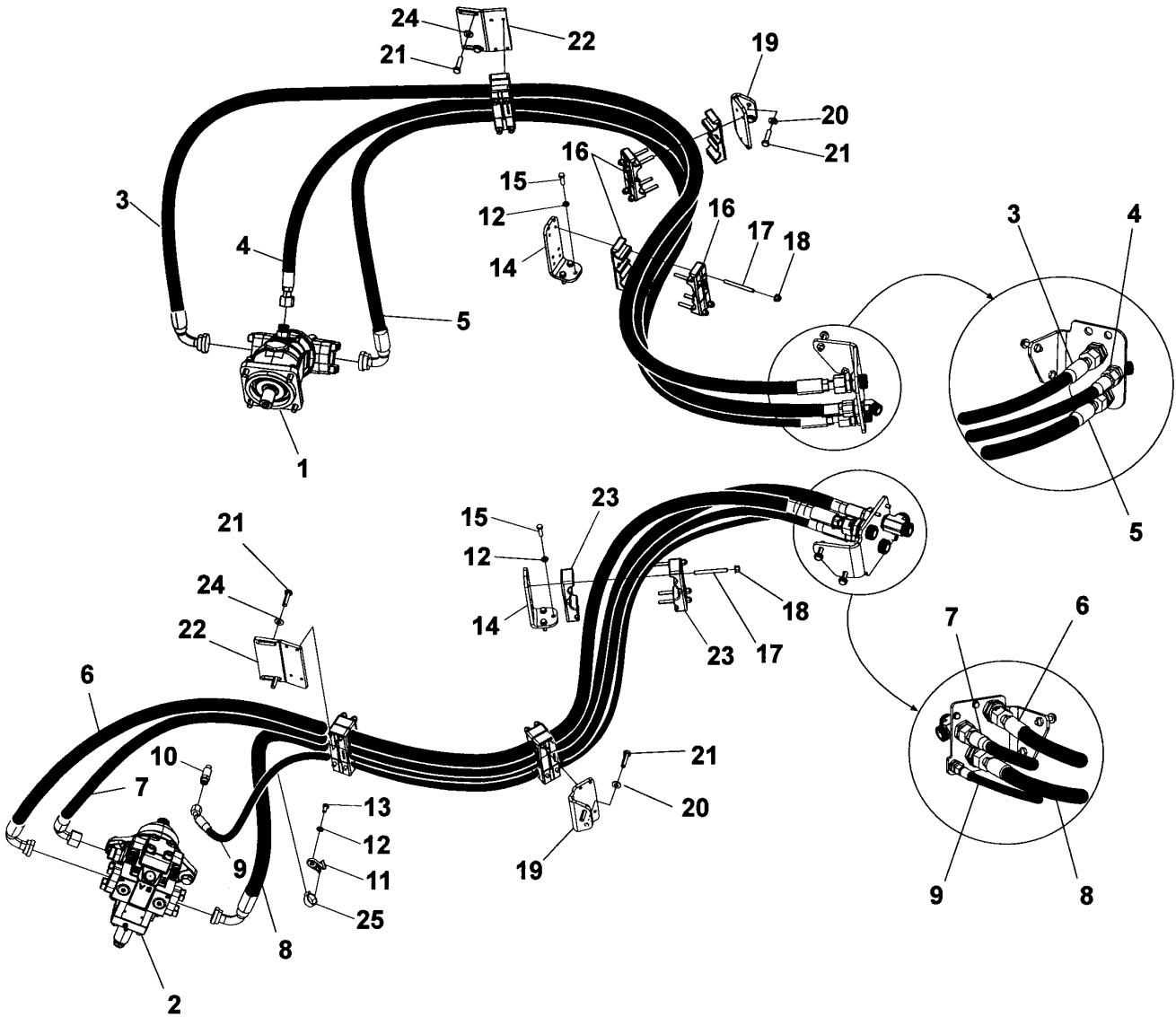


Refer to Parts Online for the most up to date information. The printed information might be outdated.

Fri Dec 11 01:17:49 MST 2015

| Item | Part No. | Name | Qty | L | SN INFO |
|------|------------|-------------------------------------|-----|---|---------|
| 1 | 4812157060 | Spool | 1 | | |
| 2 | 4812157061 | Spring | 2 | | |
| 3 | - | Plug assembly | 2 | | |
| 4 | - | O-ring | 2 | | |
| 5 | 4812157062 | Loop flushing relief valve 10 l/min | 1 | | |
| 6 | 4812157063 | O-ring | 1 | | |

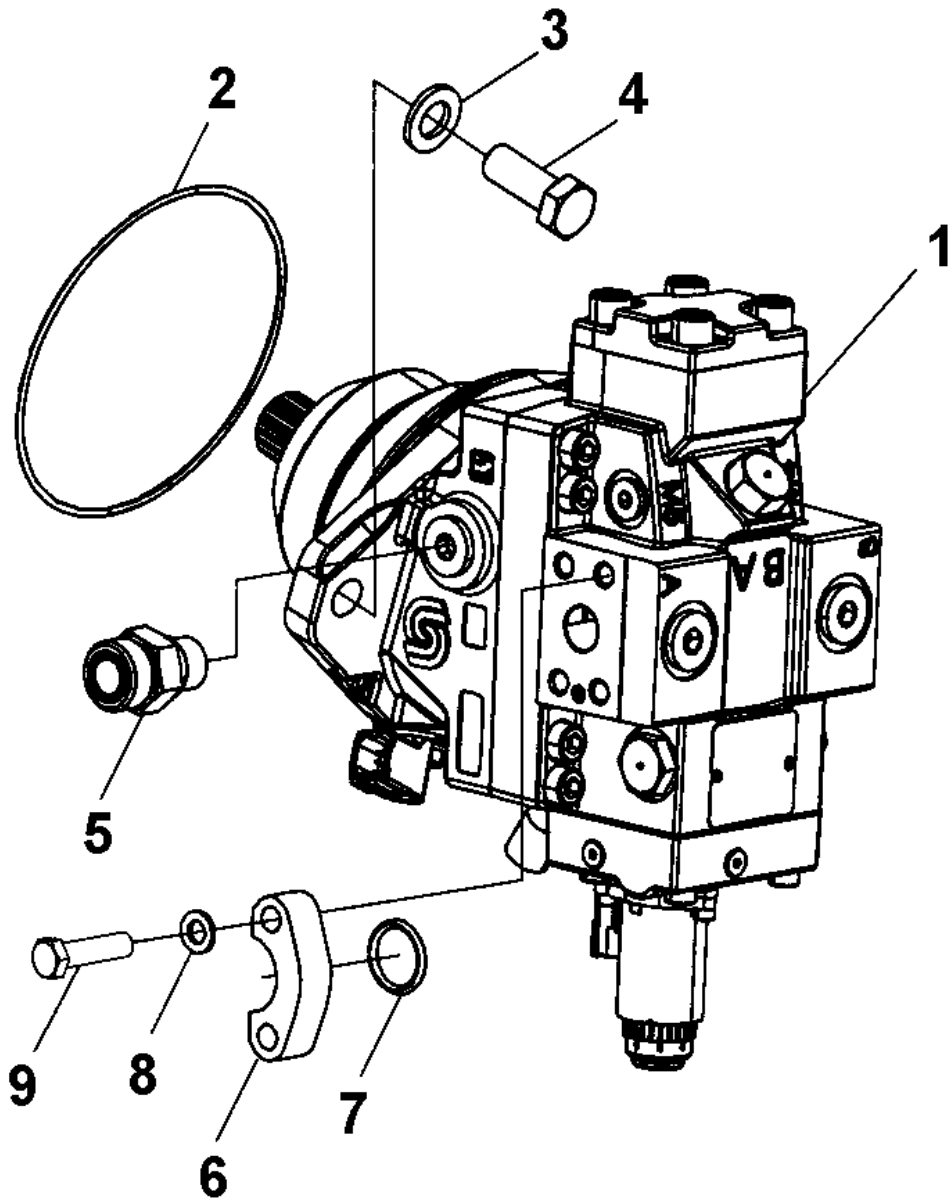
Hydraulic system, drum Anti-spin option Hydraulic system, drum Anti-spin option



Refer to Parts Online for the most up to date information. The printed information might be outdated.

Fri Dec 11 01:17:50 MST 2015

| Item | Part No. | Name | Qty | L | SN INFO |
|------|------------|----------------------------------|-----|---|---------|
| 1 | - | Hydraulic motor | 1 | | |
| 2 | - | Hydraulic motor | 1 | | |
| 3 | 4811000238 | Hydraulic hose | 1 | | |
| 4 | 4811000239 | Hydraulic hose | 1 | | |
| 5 | 4811000240 | Hydraulic hose | 1 | | |
| 6 | 4811000235 | Hydraulic hose | 1 | | |
| 7 | 4811000234 | Hydraulic hose | 1 | | |
| 8 | 4811000236 | Hydraulic hose | 1 | | |
| 9 | 4811000237 | Hydraulic hose | 1 | | |
| 10 | 4811000416 | Straight connector orfs | 1 | | |
| 11 | 4812117326 | Cable tie holder | 1 | | |
| 12 | 4700904229 | Steel plain washer | 7 | | |
| 13 | 4700500019 | Hex. screw | 1 | | |
| 14 | 4812112308 | Bracket | 2 | | |
| 15 | 4700500022 | Screw | 6 | | |
| 16 | 4812112304 | Hose holder | 6 | | |
| 17 | 4700791860 | Stud | 24 | | |
| 18 | 4700902286 | Lock nut, M8x1.25 mm A2K | 24 | | |
| 19 | 4812113963 | Bracket | 2 | | |
| 20 | 4700904230 | Washer 10.5x22x2 mm 300 HV | 4 | | |
| 21 | 4700500028 | Hexagon head screw M10x025H, 8.8 | 8 | | |
| 22 | 4812113569 | Bracket | 2 | | |
| 23 | 4812112306 | Hose holder | 6 | | |
| 24 | 4700904557 | Washer, 10.5x22x4 mm 300 HV | 4 | | |
| 25 | 4812117325 | Cable tie | 1 | | |

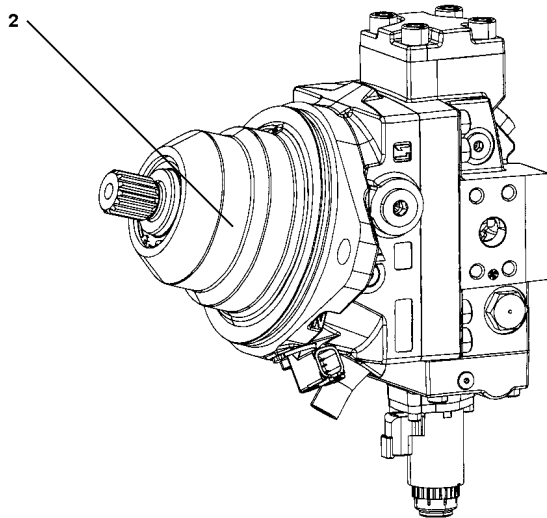
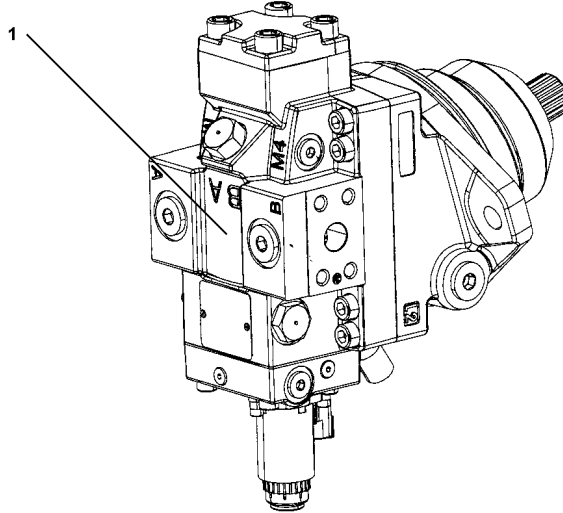
Hydraulic system, drum Anti-spin option Hydraulic motor

Refer to Parts Online for the most up to date information. The printed information might be outdated.

Fri Dec 11 01:17:50 MST 2015

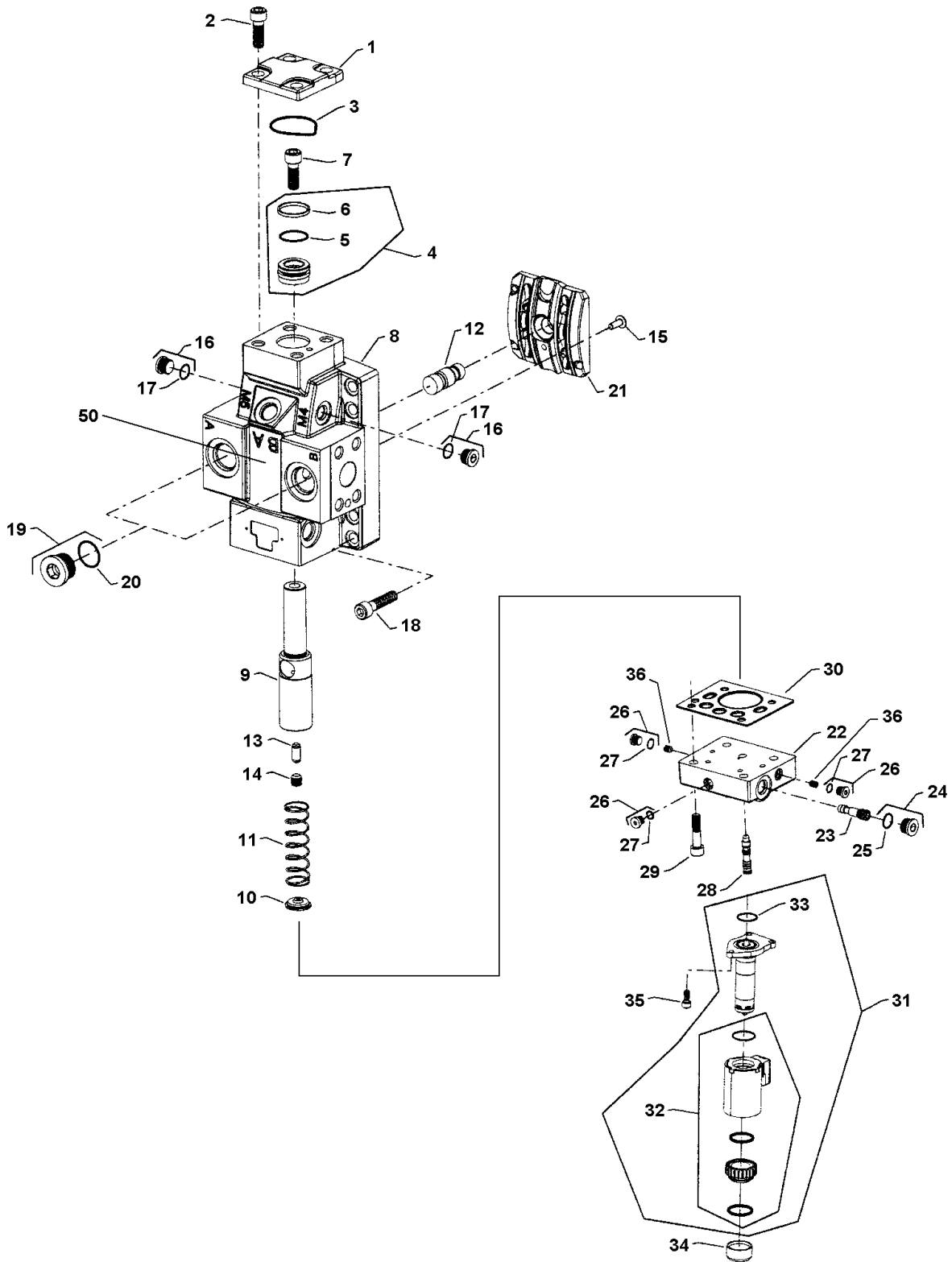
| Item | Part No. | Name | Qty | L | SN INFO |
|------|------------|-------------------------|-----|---|---------|
| 1 | 4812112202 | Drum motor | 1 | | |
| 2 | 4700160043 | O-ring | 1 | | |
| 3 | 4700904232 | Steel plain washer | 2 | | |
| 4 | 4700500093 | Hex. screw | 2 | | |
| 5 | 4812115051 | Straight connector orfs | 1 | | |
| 6 | 4700929226 | Flange half | 4 | | |
| 7 | 4700904004 | O-ring 90 | 2 | | |
| 8 | 4700904637 | Washer | 8 | | |
| 9 | 4700500030 | Hexagon head screw M | 8 | | |

4812112202 Drum motor 4812112202 Drum motor



| Item | Part No. | Name | Qty | L | SN INFO |
|------|------------|---------------------------|-----|---|---------|
| 1 | - | Drum motor. Front section | 1 | | |
| 2 | - | Drum motor. Rear section | 1 | | |
| 3 | 4812158154 | Seal kit, cpl | 1 | | |

4812112202 Drum motor Drum motor. Front section



Refer to Parts Online for the most up to date information. The printed information might be outdated.

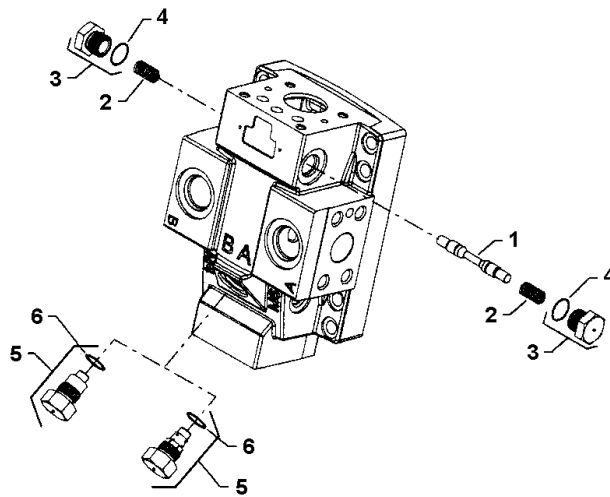
Fri Dec 11 01:17:51 MST 2015

| Item | Part No. | Name | Qty | L | SN INFO |
|------|------------|---------------------------------|-----|---|---------|
| 1 | - | Servo piston cover | 1 | | |
| 2 | - | Screw | 4 | | |
| 3 | 4812157065 | O-ring | 1 | | |
| 4 | - | Servo piston assembly | 1 | | |
| 5 | 4812157066 | O-ring | 1 | | |
| 6 | 4812157067 | Piston ring | 1 | | |
| 7 | - | Screw | 1 | | |
| 8 | - | End cap | 1 | | |
| 9 | - | Servo piston | 1 | | |
| 10 | - | Spring guide | 1 | | |
| 11 | - | Spring | 1 | | |
| 12 | - | Setting lug | 1 | | |
| 13 | 4812157068 | Setting lug pin | 1 | | |
| 14 | - | Set screw | 1 | | |
| 15 | - | Button head screw | 1 | | |
| 16 | - | Plug assembly | 2 | | |
| 17 | - | O-ring | 2 | | |
| 18 | - | Screw | 8 | | |
| 19 | - | Plug assembly | 2 | | |
| 20 | - | O-ring | 2 | | |
| 21 | 4812157069 | Valve segment assembly | 1 | | |
| 22 | - | Control housing, proportional | 1 | | |
| 23 | 4812156999 | Shuttle valve assembly | 1 | | |
| 24 | - | Plug assembly | 1 | | |
| 25 | - | O-ring | 1 | | |
| 26 | - | Plug assembly | 3 | | |
| 27 | - | O-ring | 3 | | |
| 28 | 4812157070 | Spool | 1 | | |
| 29 | - | Screw | 4 | | |
| 30 | - | Control seal | 1 | | |
| 31 | 4812157071 | Solenoid proportional valve 24V | 1 | | |
| 32 | 4812157072 | Coil kit 24V | 1 | | |
| 33 | 4812157371 | O-ring | 1 | | |
| 34 | - | Plastic cap | 1 | | |
| 35 | - | Screw | 3 | | |
| 36 | - | Orifice plug 1.2 mm | 2 | | |
| 50 | - | Loop flushing | 1 | | |

Refer to Parts Online for the most up to date information. The printed information might be outdated.

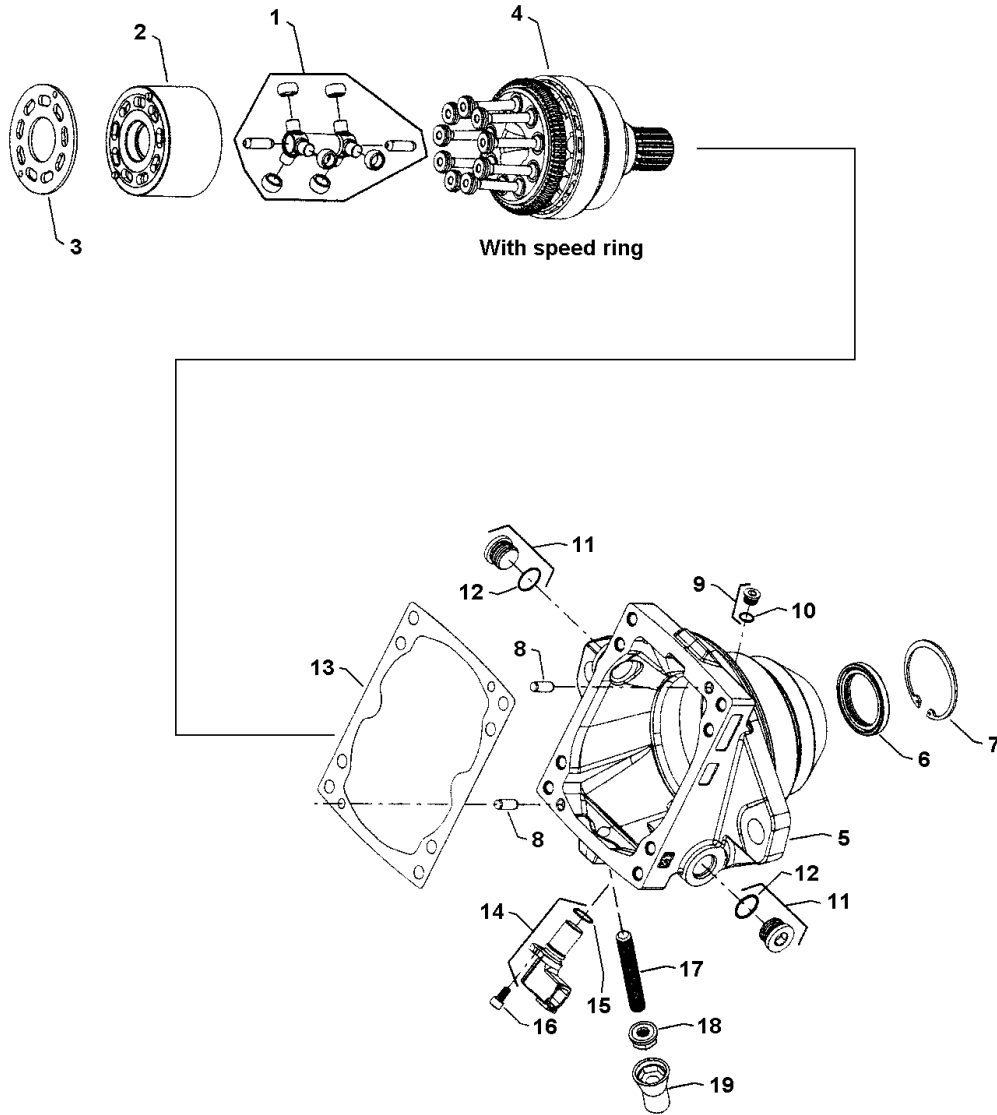
Fri Dec 11 01:17:51 MST 2015

4812112202 Drum motor Loop flushing



| Item | Part No. | Name | Qty | L | SN INFO |
|------|------------|-------------------------------------|-----|---|---------|
| 1 | 4812157060 | Spool | 1 | | |
| 2 | 4812157061 | Spring | 2 | | |
| 3 | - | Plug assembly | 2 | | |
| 4 | - | O-ring | 2 | | |
| 5 | 4812157062 | Loop flushing relief valve 10 l/min | 1 | | |
| 6 | 4812157063 | O-ring | 1 | | |

4812112202 Drum motor Drum motor. Rear section

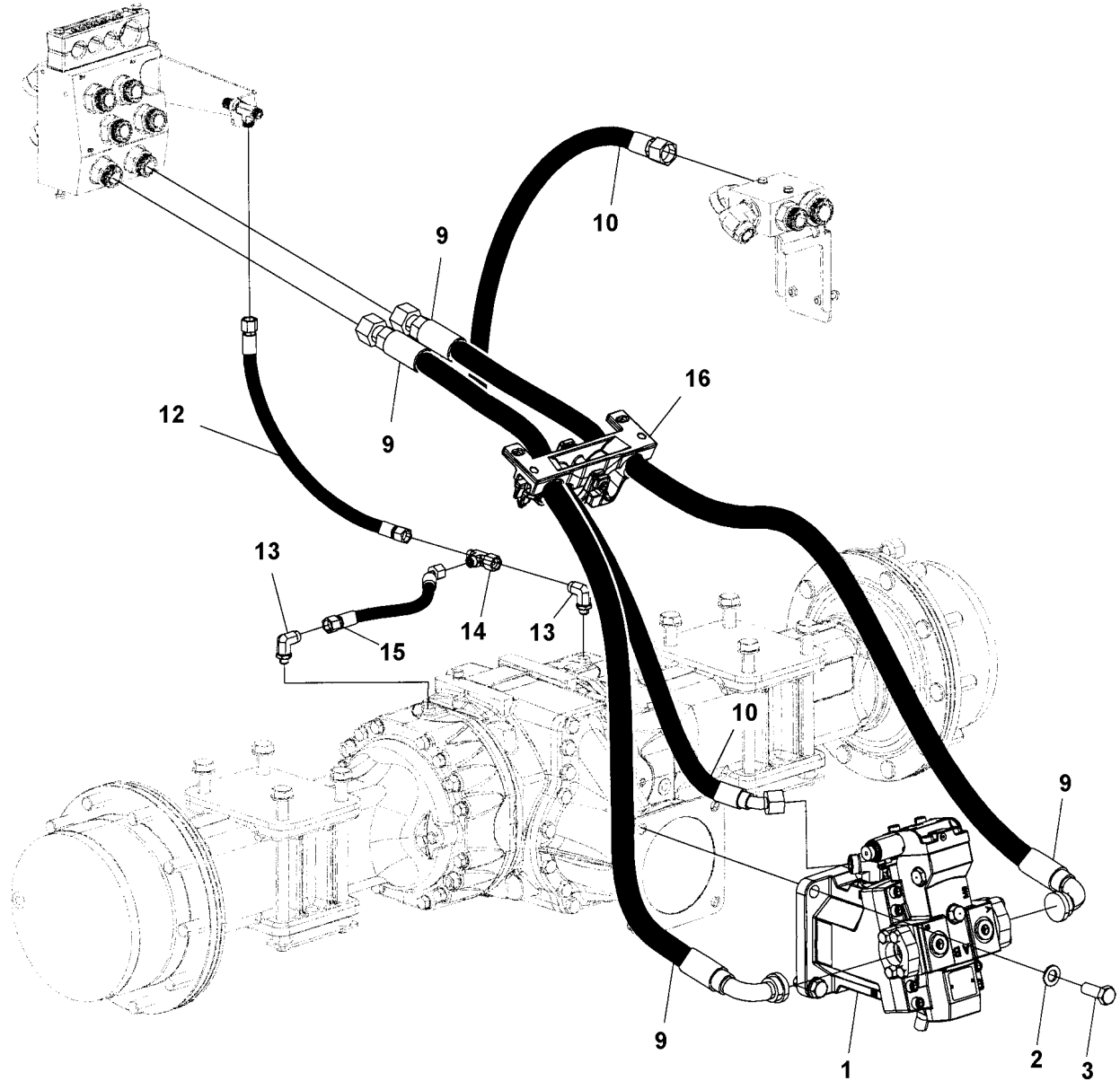


Refer to Parts Online for the most up to date information. The printed information might be outdated.

Fri Dec 11 01:17:51 MST 2015

| Item | Part No. | Name | Qty | L | SN INFO |
|------|------------|---|-----|---|---------|
| 1 | - | Synch shaft assembly | 1 | | |
| 2 | - | Cylinder block assembly | 1 | | |
| 3 | 4812157056 | Bearing plate | 1 | | |
| 4 | - | Shaft assembly, 14 tooth, DIN, speed ring | 1 | | |
| 5 | - | Housing, cartridge with speed sensor port | 1 | | |
| 6 | 4812157058 | Lip seal | 1 | | |
| 7 | 4812157059 | Retaining ring | 1 | | |
| 8 | - | Pin | 2 | | |
| 9 | - | Plug assembly | 1 | | |
| 10 | - | O-ring | 1 | | |
| 11 | - | Plug assembly | 2 | | |
| 12 | - | O-ring | 2 | | |
| 13 | 4812157064 | Gasket | 1 | | |
| 14 | 4700396601 | Speed sensor | 1 | | |
| 15 | 4812157057 | O-ring | 1 | | |
| 16 | - | Screw | 1 | | |
| 17 | - | Set screw, 0-19 cc, M12x65mm | 1 | | |
| 18 | 4700909525 | Seal nut | 1 | | |
| 19 | 4700902996 | Plastic cap, green | 1 | | |

Hydraulic system, rear axle Hydraulic system, rear axle

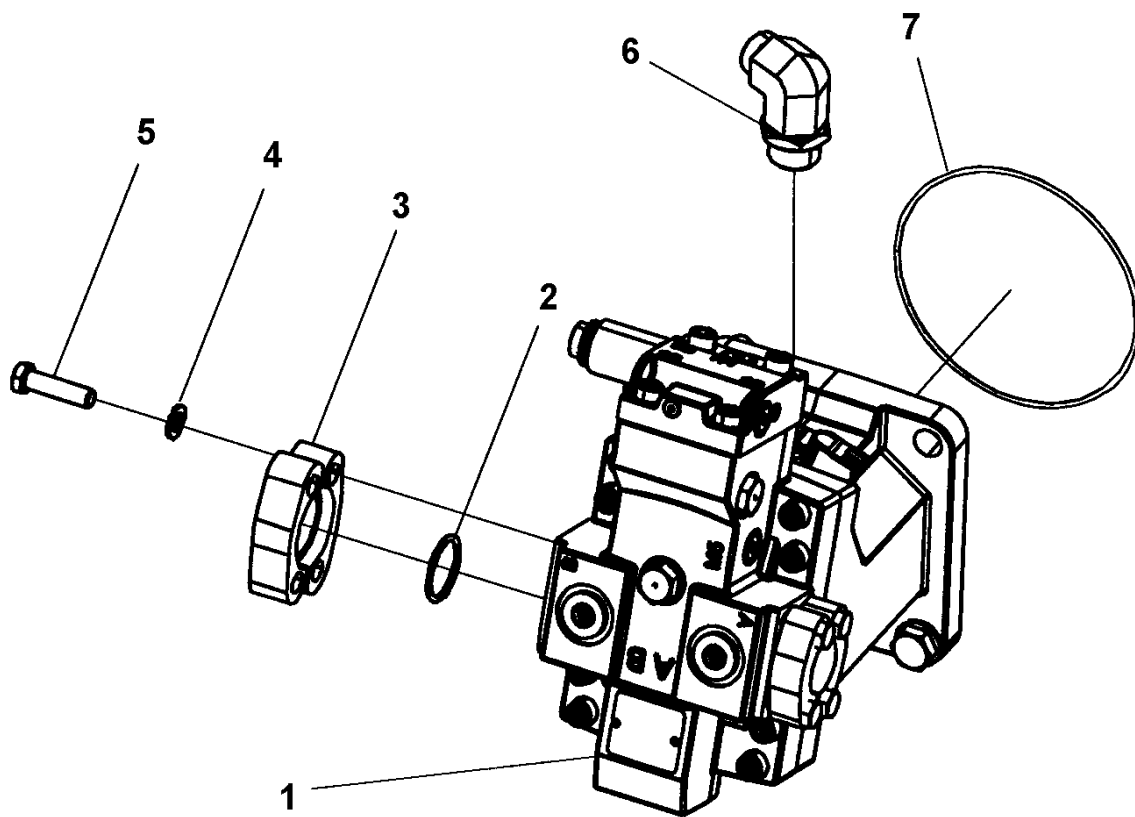


Refer to Parts Online for the most up to date information. The printed information might be outdated.

Fri Dec 11 01:17:52 MST 2015

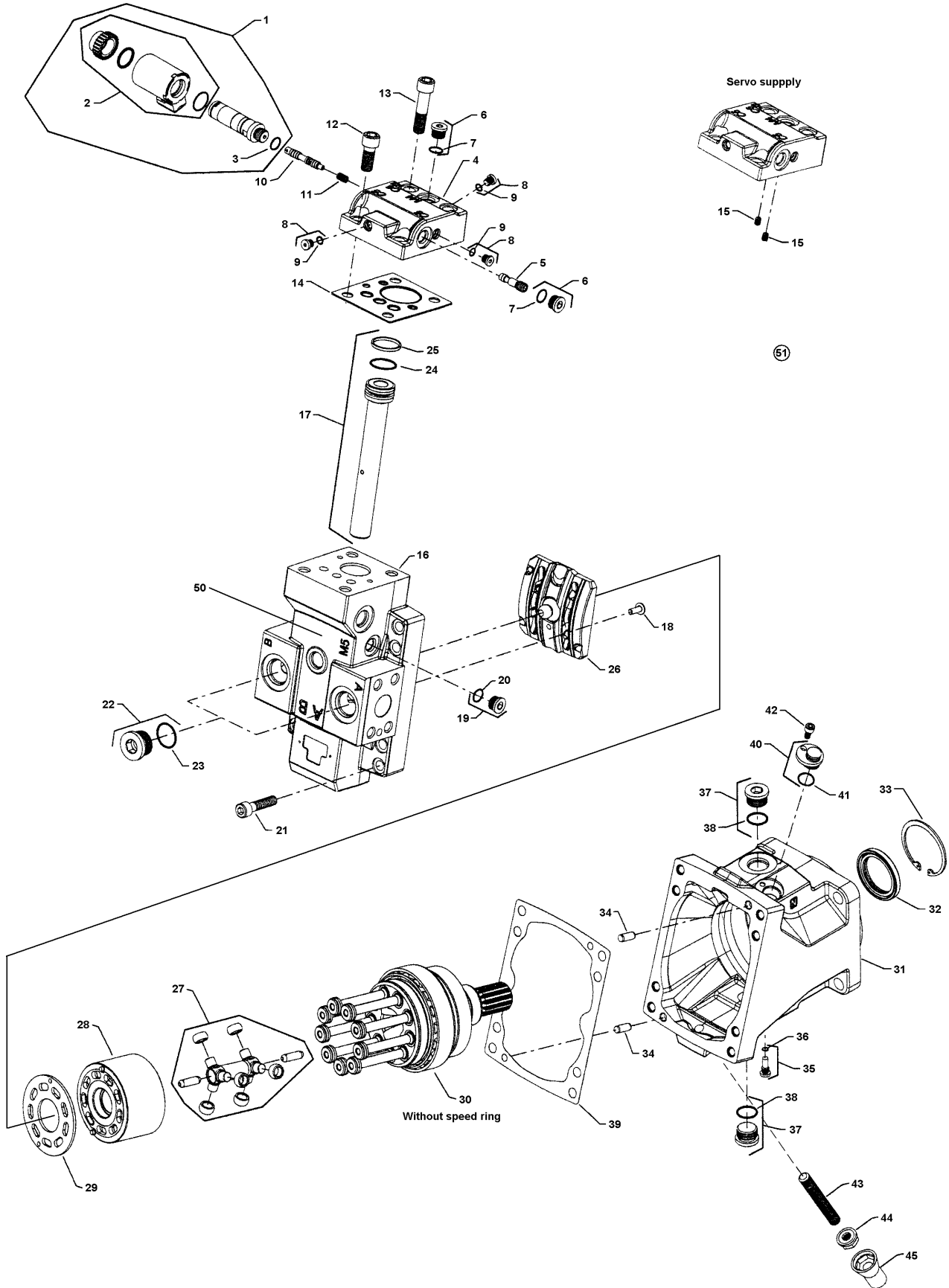
| Item | Part No. | Name | Qty | L | SN INFO |
|------|------------|----------------------------------|-----|---|---------|
| 1 | - | Hydraulic motor | 1 | | |
| 2 | 4700904793 | Steel plain washer | 4 | | |
| 3 | 4811000310 | Hexagon head screw | 4 | | |
| 9 | 4811000227 | Hydraulic hose | 2 | | |
| 10 | 4811000230 | Hydraulic hose | 1 | | |
| 12 | 4811000228 | Hydraulic hose | 1 | | |
| 13 | 4811000086 | Elbow 90 orfs | 2 | | |
| 14 | 4700791414 | T-connection, O-ring with swivel | 1 | | |
| 15 | 4811000229 | Hydraulic hose | 1 | | |
| 16 | - | Hose holder | 1 | | |

Hydraulic system, rear axle Hydraulic motor



| Item | Part No. | Name | Qty | L | SN INFO |
|------|------------|----------------------------|-----|---|---------|
| 1 | 4812112211 | Rear axle motor | 1 | | |
| 2 | 4700904005 | O-ring | 2 | | |
| 3 | 4700923384 | Split flange | 4 | | |
| 4 | 4700904638 | Washer 12x22x2 | 8 | | |
| 5 | 4700928791 | Screw, M12 x 45 mm 8.8 A3K | 8 | | |
| 6 | 4700791231 | Adapter | 1 | | |
| 7 | 4700160043 | O-ring | 1 | | |

4812112211 Rear axle motor 4812112211 Rear axle motor



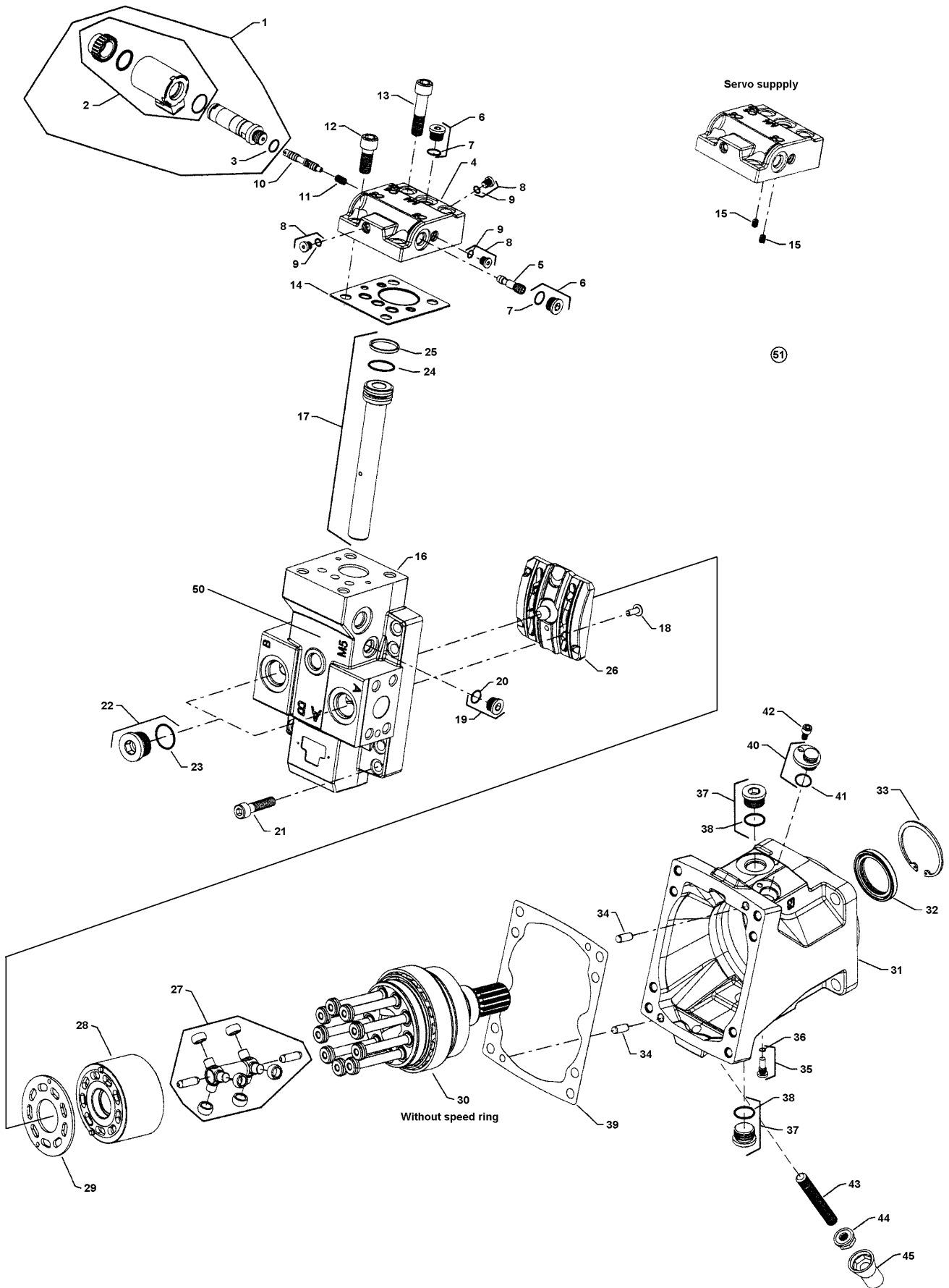
Refer to Parts Online for the most up to date information. The printed information might be outdated.

Fri Dec 11 01:17:53 MST 2015

| Item | Part No. | Name | Qty | L | SN INFO |
|------|------------|--|-----|---|---------|
| 1 | 4812157074 | Solenoid On/off, 24 volt | 1 | | |
| 2 | 4812157075 | Coil kit, 24 volt | 1 | | |
| 3 | - | O-ring | 1 | | |
| 4 | - | Control housing, 2 position | 1 | | |
| 5 | 4812156999 | Shuttle valve assembly | 1 | | |
| 6 | - | Plug assembly | 2 | | |
| 7 | - | O-ring | 2 | | |
| 8 | - | Plug assembly | 3 | | |
| 9 | - | O-ring | 3 | | |
| 10 | 4812157051 | Spool | 1 | | |
| 11 | 4812157052 | Spring | 1 | | |
| 12 | - | Screw | 2 | | |
| 13 | - | Screw | 2 | | |
| 14 | 4812157053 | Control seal | 1 | | |
| 15 | - | Orifice plug, 1.2 mm | 2 | | |
| 16 | - | End cap | 1 | | |
| 17 | 4812157076 | Servo piston | 1 | | |
| 18 | - | Button head screw | 1 | | |
| 19 | - | Plug assembly | 1 | | |
| 20 | - | O-ring | 1 | | |
| 21 | - | Screw | 8 | | |
| 22 | - | Plug assembly | 2 | | |
| 23 | - | O-ring | 2 | | |
| 24 | - | O-ring | 1 | | |
| 25 | - | Piston ring | 1 | | |
| 26 | 4812157077 | Valve segment assembly | 1 | | |
| 27 | - | Synch shaft assembly | 1 | | |
| 28 | - | Cylinder block assembly | 1 | | |
| 29 | 4700902930 | Bearing plate | 1 | | |
| 30 | - | Shaft assembly, 13 tooth, 8/12 pitch | 1 | | |
| 31 | - | Housing, SAE flange with speed sensor port | 1 | | |
| 32 | 4700945757 | Shaft seal | 1 | | |
| 33 | 4812157078 | Retaining ring | 1 | | |
| 34 | - | Pin | 2 | | |
| 35 | - | Shaft locating plug assembly | 1 | | |
| 36 | - | O-ring | 1 | | |
| 37 | - | Plug assembly | 2 | | |

Refer to Parts Online for the most up to date information. The printed information might be outdated.

Fri Dec 11 01:17:53 MST 2015

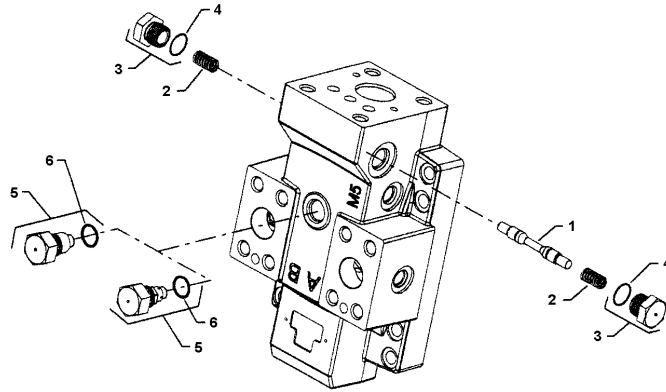


Refer to Parts Online for the most up to date information. The printed information might be outdated.

Fri Dec 11 01:17:54 MST 2015

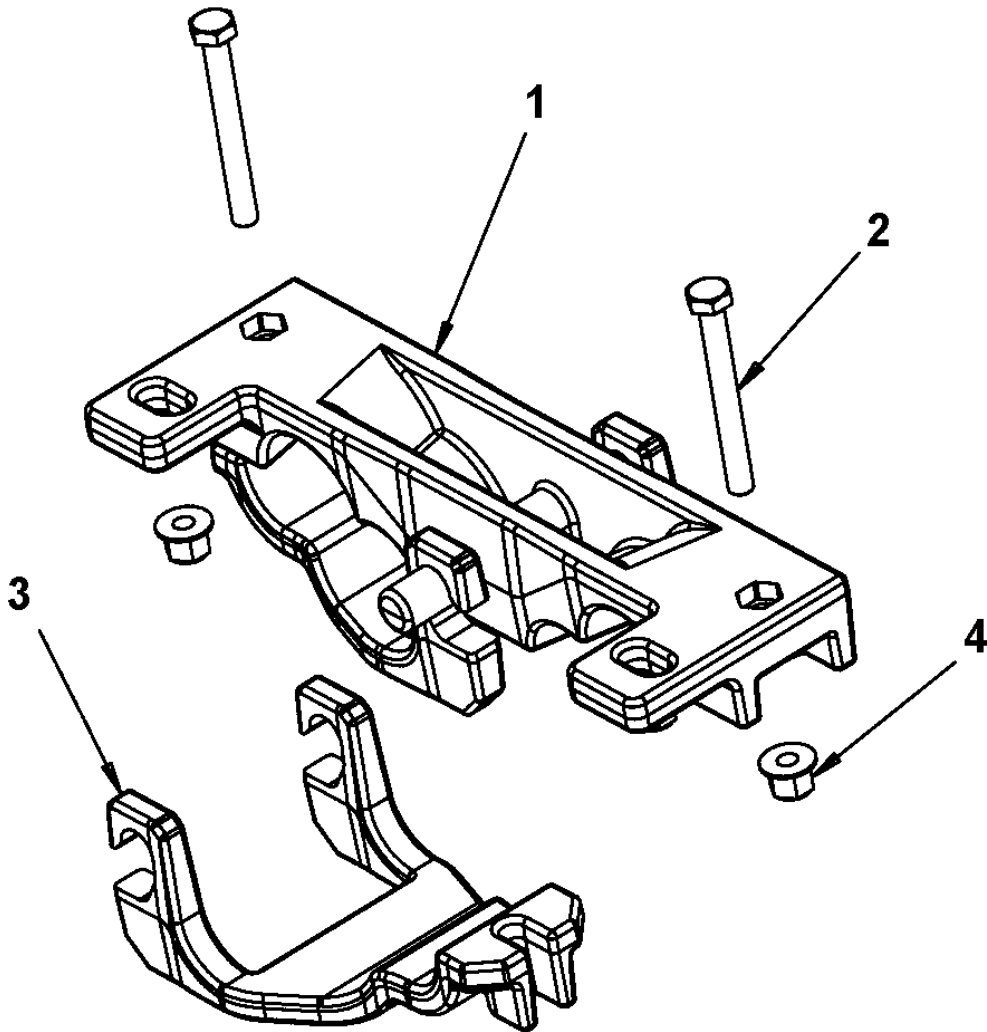
| Item | Part No. | Name | Qty | L | SN INFO |
|------|------------|------------------------------|-----|---|---------|
| 38 | - | O-ring | 2 | | |
| 39 | 4812157079 | Gasket | 1 | | |
| 40 | - | PPU Plug assembly | 1 | | |
| 41 | 4812157057 | O-ring | 1 | | |
| 42 | - | Screw | 1 | | |
| 43 | - | Set screw, 32-60cc, M12x90mm | 1 | | |
| 44 | 4700909525 | Seal nut | 1 | | |
| 45 | 4700902996 | Plastic cap, green | 1 | | |
| 50 | - | Loop flusing | 1 | | |
| 51 | 4812158153 | Seal kit,cpl | 1 | | |

4812112211 Rear axle motor Loop flusing



| Item | Part No. | Name | Qty | L | SN INFO |
|------|------------|-------------------------------------|-----|---|---------|
| 1 | 4812157060 | Spool | 1 | | |
| 2 | 4812157061 | Spring | 2 | | |
| 3 | - | Plug assembly | 2 | | |
| 4 | - | O-ring | 2 | | |
| 5 | 4812157062 | Loop flushing relief valve 10 l/min | 1 | | |
| 6 | 4812157063 | O-ring | 1 | | |

Hydraulic system, rear axle Hose holder

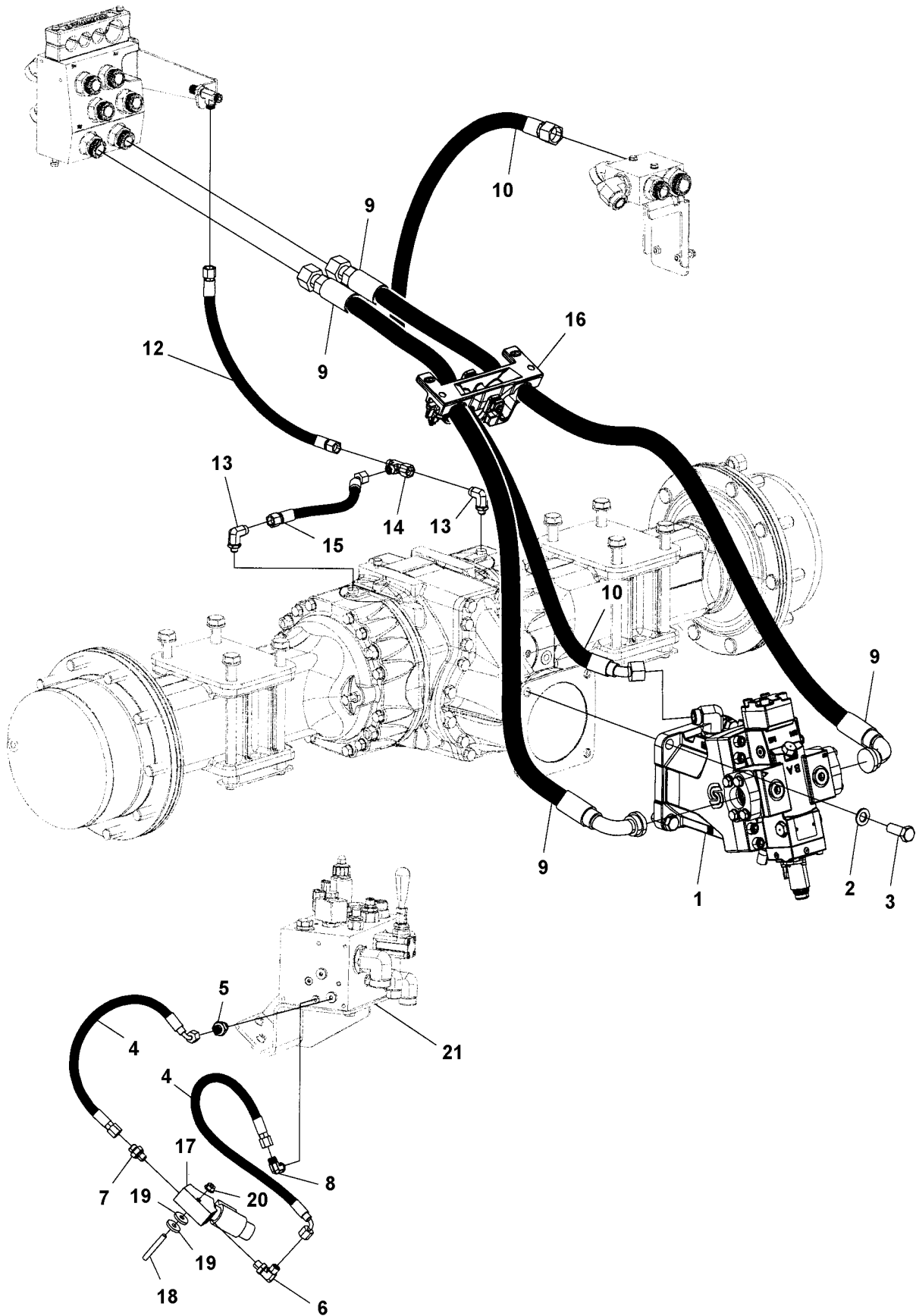


Refer to Parts Online for the most up to date information. The printed information might be outdated.

Fri Dec 11 01:17:55 MST 2015

| Item | Part No. | Name | Qty | L | SN INFO |
|------|------------|--------------------------|-----|---|---------|
| 1 | 4812114652 | Hose holder | 1 | | |
| 2 | 4700500189 | Screw | 2 | | |
| 3 | 4812114622 | Hose holder | 2 | | |
| 4 | 4700902286 | Lock nut, M8x1.25 mm A2K | 4 | | |

Hydraulic system, rear axle Anti-spin option Hydraulic system, rear axle Anti-spin option



Refer to Parts Online for the most up to date information. The printed information might be outdated.

Fri Dec 11 01:17:56 MST 2015

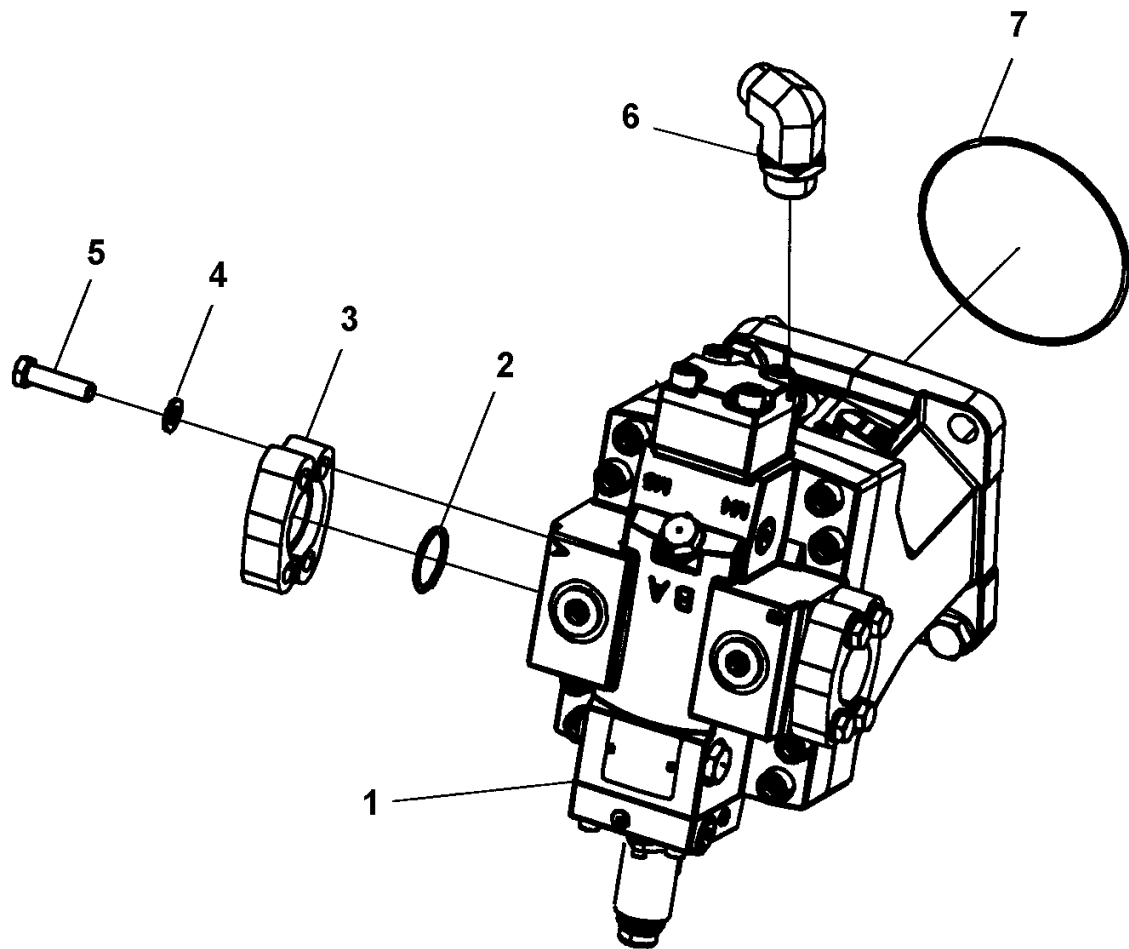
| Item | Part No. | Name | Qty | L | SN INFO |
|------|------------|--------------------------------------|-----|---|---------|
| 1 | - | Hydraulic motor | 1 | | |
| 2 | 4700904793 | Steel plain washer | 4 | | |
| 3 | 4811000310 | Hexagon head screw | 4 | | |
| 4 | 4812116921 | Hydraulic hose | 2 | | |
| 5 | 4700791542 | Straight connector | 1 | | |
| 6 | 4700791397 | Elbow 90, O-ring | 1 | | |
| 7 | 4700791541 | Adapter | 1 | | |
| 8 | 0570704138 | Connector elbow 90 orfs | 1 | | |
| 9 | 4811000242 | Hydraulic hose | 2 | | |
| 10 | 4811000230 | Hydraulic hose | 1 | | |
| 12 | 4811000228 | Hydraulic hose | 1 | | |
| 13 | 4811000086 | Elbow 90 orfs | 2 | | |
| 14 | 4700791414 | T-connection, O-ring with swivel | 1 | | |
| 15 | 4811000229 | Hydraulic hose | 1 | | |
| 16 | - | Hose holder | 1 | | |
| 17 | 4812116687 | Hydraulic valve | 1 | | |
| 18 | 4700791858 | Stud | 1 | | |
| 19 | 4700904734 | Washer, 8,4x26x4 300 HV | 2 | | |
| 20 | 4700903586 | Hexagon nut with flange, M8x1.25 A2K | 1 | | |
| 21 | - | Hydraulic valve | 1 | A | |

Comments for Page: Hydraulic system, rear axle Anti-spin option

(L)OCAL REMARKS

A | en_US | See section for hydraulic system, oil tank.

Hydraulic system, rear axle Anti-spin option Hydraulic motor

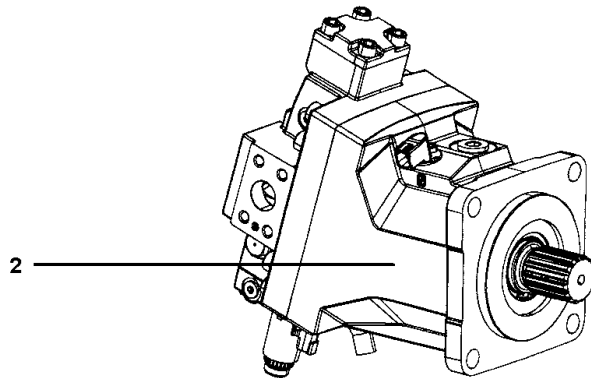
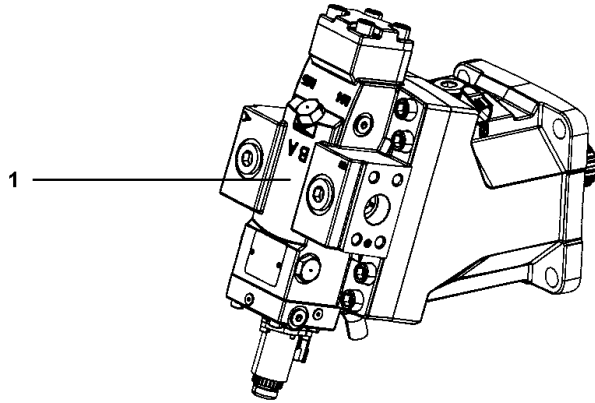


Refer to Parts Online for the most up to date information. The printed information might be outdated.

Fri Dec 11 01:17:57 MST 2015

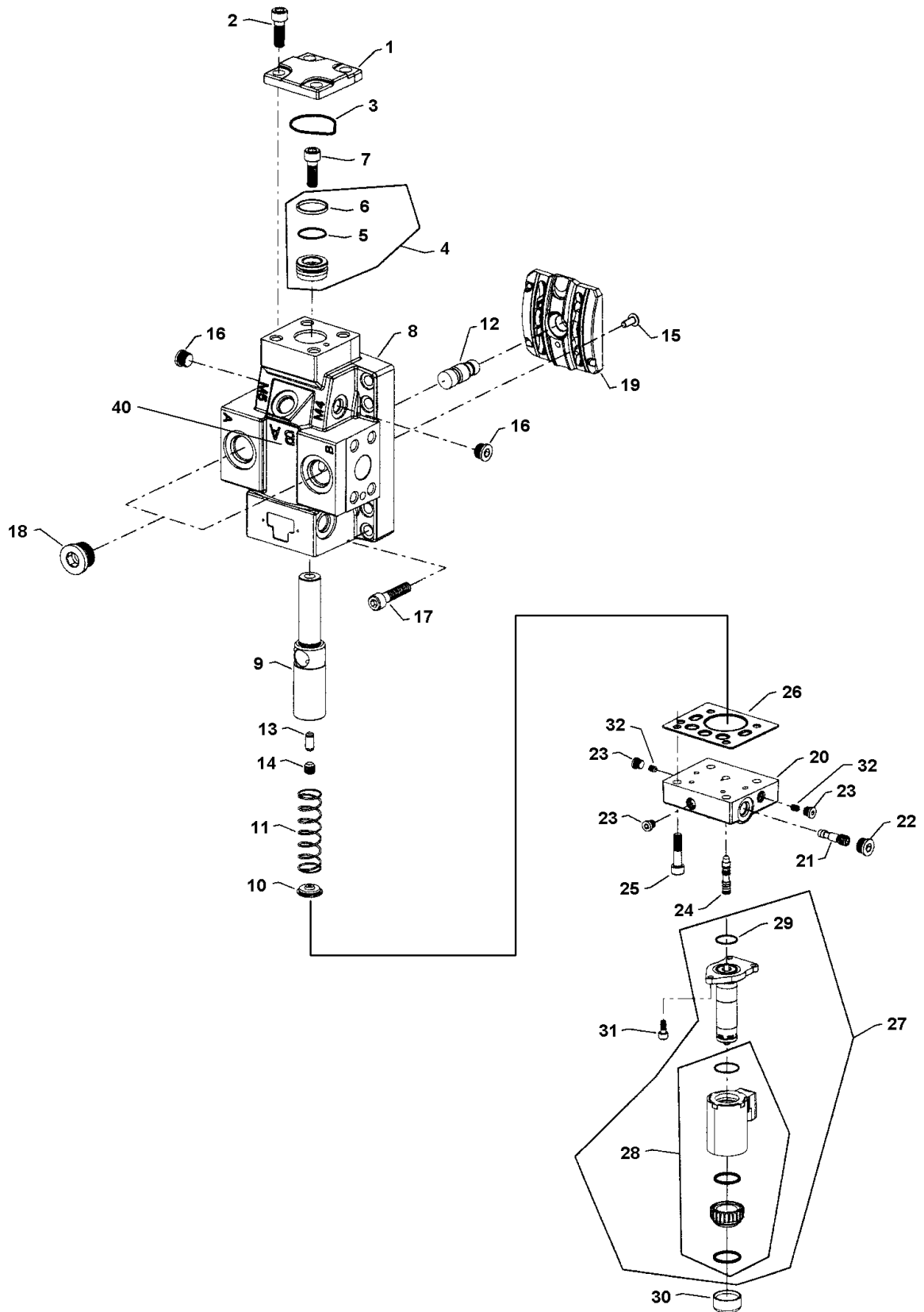
| Item | Part No. | Name | Qty | L | SN INFO |
|------|------------|----------------------------|-----|---|---------|
| 1 | 4812112213 | Rear axle motor | 1 | | |
| 2 | 4700904171 | O-ring | 2 | | |
| 3 | 4700900342 | Split flange | 4 | | |
| 4 | 4700904638 | Washer 12x22x2 | 8 | | |
| 5 | 4700928791 | Screw, M12 x 45 mm 8.8 A3K | 8 | | |
| 6 | 4700791231 | Adapter | 1 | | |
| 7 | 4700160043 | O-ring | 1 | | |

4812112213 Rear axle motor 4812112213 Rear axle motor



| Item | Part No. | Name | Qty | L | SN INFO |
|------|----------|---------------|-----|---|---------|
| 1 | - | Front section | 1 | | |
| 2 | - | Rear section | 1 | | |

4812112213 Rear axle motor Front section

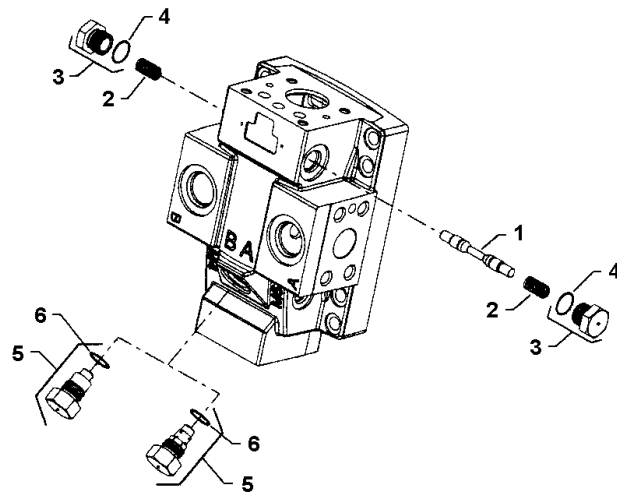


Refer to Parts Online for the most up to date information. The printed information might be outdated.

Fri Dec 11 01:17:57 MST 2015

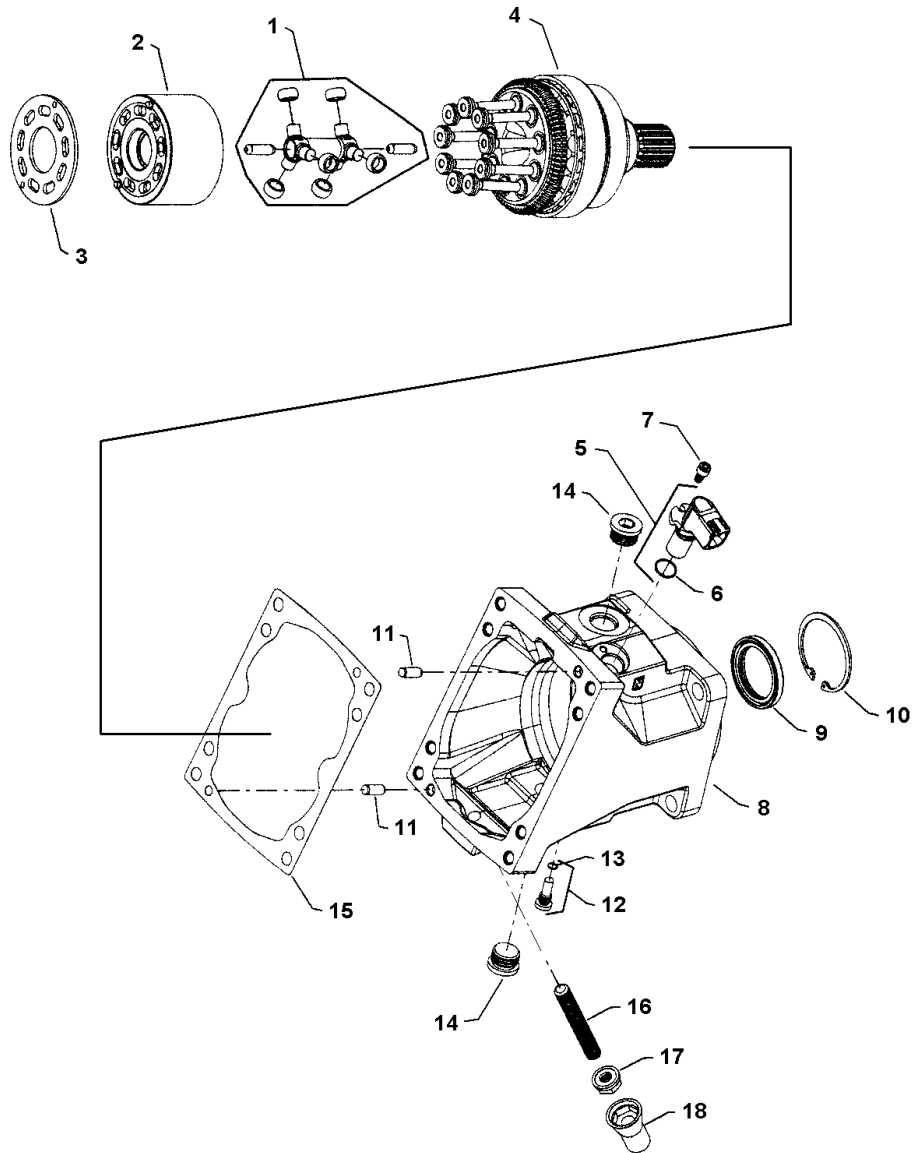
| Item | Part No. | Name | Qty | L | SN INFO |
|------|------------|---------------------------------|-----|---|---------|
| 1 | - | Servo piston cover | 1 | | |
| 2 | - | Screw | 4 | | |
| 3 | 4812157065 | O-ring | 1 | | |
| 4 | - | Servo piston assembly | 1 | | |
| 5 | 4812157083 | O-ring | 1 | | |
| 6 | 4812157084 | Piston ring | 1 | | |
| 7 | - | Screw | 1 | | |
| 8 | - | End cap | 1 | | |
| 9 | - | Servo piston | 1 | | |
| 10 | - | Spring guide | 1 | | |
| 11 | - | Spring | 1 | | |
| 12 | - | Setting lug | 1 | | |
| 13 | 4812157068 | Setting lug pin | 1 | | |
| 14 | - | Set screw | 1 | | |
| 15 | - | Button head screw | 1 | | |
| 16 | - | Plug assembly | 2 | | |
| 17 | - | Screw | 8 | | |
| 18 | - | Plug assembly | 2 | | |
| 19 | 4812157081 | Valve segment assembly | 1 | | |
| 20 | - | Control housing, proportional | 1 | | |
| 21 | 4812156999 | Shuttle valve assembly | 1 | | |
| 22 | - | Plug assembly | 1 | | |
| 23 | - | Plug assembly | 3 | | |
| 24 | 4812157070 | Spool | 1 | | |
| 25 | - | Screw | 4 | | |
| 26 | 4812157080 | Control seal | 1 | | |
| 27 | 4812157071 | Solenoid proportional valve 24V | 1 | | |
| 28 | 4812157072 | Coil kit 24V | 1 | | |
| 29 | 4812157371 | O-ring | 1 | | |
| 30 | - | Plastic cap | 1 | | |
| 31 | - | Screw | 3 | | |
| 32 | - | Orifice plug, 1.2 mm | 2 | | |
| 40 | - | Loop flushing | 1 | | |

4812112213 Rear axle motor Loop flushing



| Item | Part No. | Name | Qty | L | SN INFO |
|------|------------|-------------------------------------|-----|---|---------|
| 1 | 4812157060 | Spool | 1 | | |
| 2 | 4812157061 | Spring | 2 | | |
| 3 | - | Plug assembly | 2 | | |
| 4 | - | O-ring | 2 | | |
| 5 | 4812157062 | Loop flushing relief valve 10 l/min | 1 | | |
| 6 | 4812157063 | O-ring | 1 | | |

4812112213 Rear axle motor Rear section

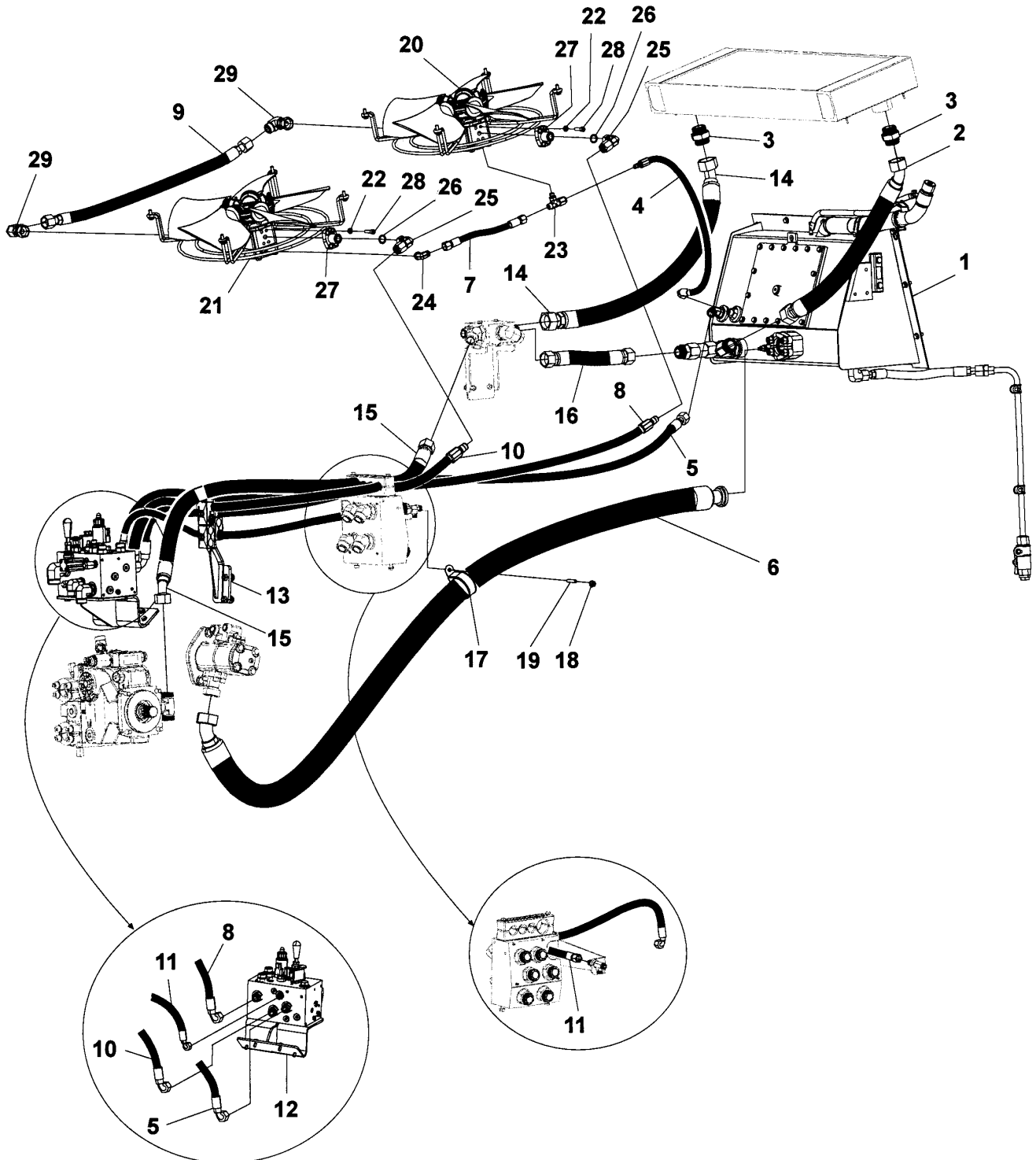


Refer to Parts Online for the most up to date information. The printed information might be outdated.

Fri Dec 11 01:17:58 MST 2015

| Item | Part No. | Name | Qty | L | SN INFO |
|------|------------|--|-----|---|---------|
| 1 | - | Synch shaft assembly | 1 | | |
| 2 | - | Cylinder block assembly | 1 | | |
| 3 | 4812157082 | Bearing plate | 1 | | |
| 4 | - | Shaft assembly, 13 tooth, 8/12 pitch, speed ring | 1 | | |
| 5 | 4700396601 | Speed sensor | 1 | | |
| 6 | 4812157057 | O-ring | 1 | | |
| 7 | - | Screw | 1 | | |
| 8 | - | Housing, SAE flange with speed sensor port | 1 | | |
| 9 | 4700945757 | Shaft seal | 1 | | |
| 10 | 4812157078 | Retaining ring | 1 | | |
| 11 | - | Pin | 2 | | |
| 12 | - | Shaft locating plug assembly | 1 | | |
| 13 | - | O-ring | 1 | | |
| 14 | - | Plug assembly | 2 | | |
| 15 | 4812157085 | Gasket | 1 | | |
| 16 | - | Set screw, 0-43cc, M12x75mm | 1 | | |
| 17 | 4700909525 | Seal nut | 1 | | |
| 18 | 4700902996 | Plastic cap, green | 1 | | |

Hydraulic system, oil tank Hydraulic system, oil tank

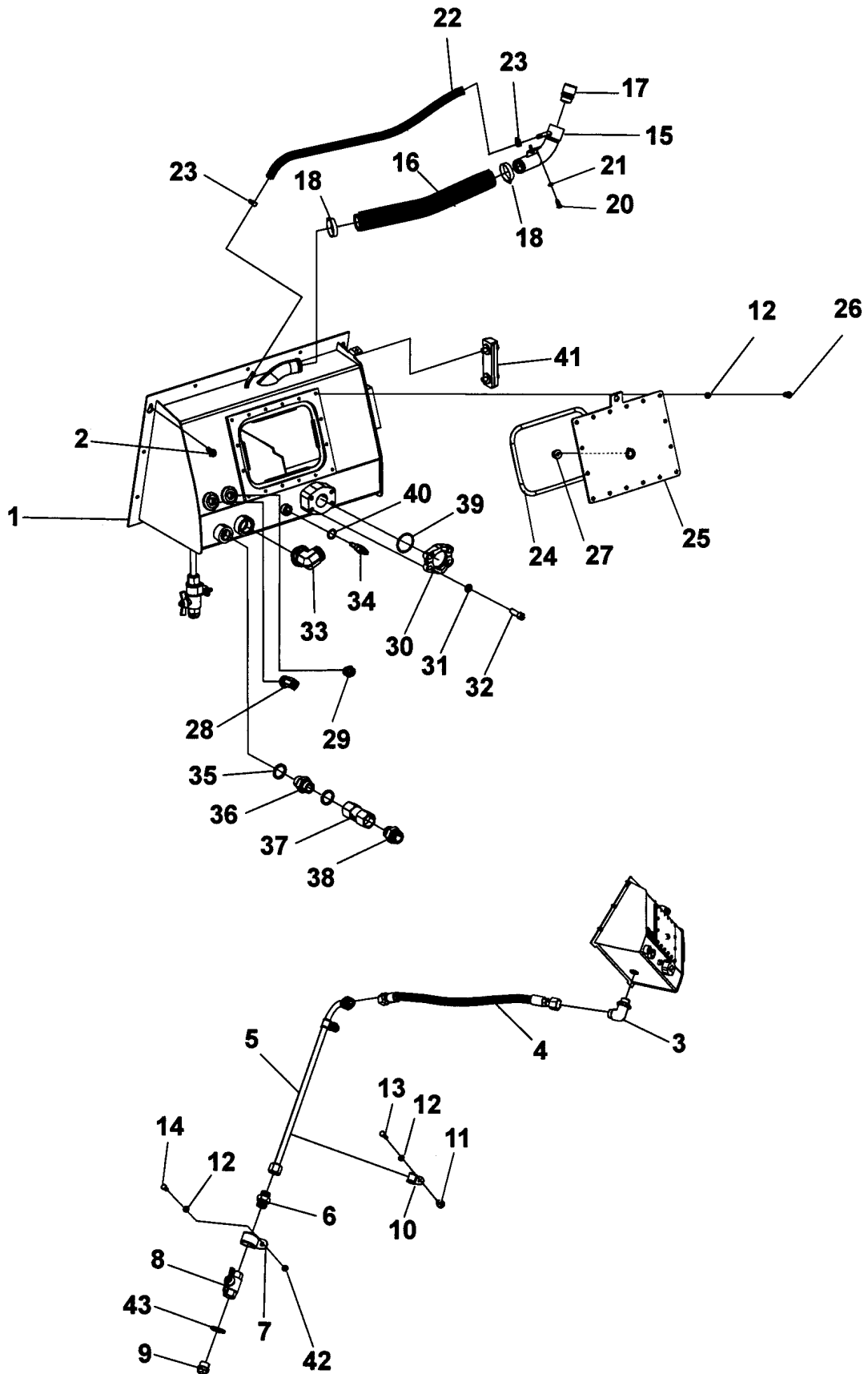


Refer to Parts Online for the most up to date information. The printed information might be outdated.

Fri Dec 11 01:17:59 MST 2015

| Item | Part No. | Name | Qty | L | SN INFO |
|------|------------|---------------------------------|-----|---|---------|
| 1 | - | Hydraulic oil tank assembly | 1 | | |
| 2 | 4811000197 | Hydraulic hose | 1 | | |
| 3 | 4812112555 | Adapter | 2 | | |
| 4 | 4812117451 | Hydraulic hose upto | 1 | | |
| 5 | 4811000214 | Hydraulic hose | 1 | | |
| 6 | 4811000217 | Hydraulic hose | 1 | | |
| 7 | 4811000209 | Hydraulic hose | 1 | | |
| 8 | 4812117450 | Hydraulic hose upto | 1 | | |
| 9 | 4812117702 | Hydraulic hose | 1 | | |
| 10 | 4812117448 | Hydraulic hose upto | 1 | | |
| 11 | 4811000215 | Hydraulic hose | 1 | | |
| 12 | - | Hydraulic valve module | 1 | | |
| 13 | - | Hose holder assy kit | 1 | | |
| 14 | 4811000198 | Hydraulic hose | 1 | | |
| 15 | 4811000211 | Hydraulic hose | 1 | | |
| 16 | 4811000199 | Hydraulic hose | 1 | | |
| 17 | 4700903703 | Clamp | 1 | | |
| 18 | 4700902286 | Lock nut, M8x1.25 mm A2K | 1 | | |
| 19 | 4700903768 | Threaded stud | 1 | | |
| 20 | - | Fan module, front | 1 | | |
| 21 | - | Fan module, rear | 1 | | |
| 22 | 4700904229 | Steel plain washer | 16 | | |
| 23 | 4812117436 | Connector upto | 1 | | |
| 24 | 0570704101 | Connector Elbow 90 | 1 | | |
| 25 | 4812115064 | Elbow connector 90° | 2 | | |
| 26 | 4700904774 | O-ring | 4 | | |
| 27 | 4812117732 | Flange connector | 4 | | |
| 28 | 4700508048 | Hexagon socket head cap screw M | 16 | | |
| 29 | 4700904766 | Elbow connector 90° | 2 | | |

Hydraulic system, oil tank Hydraulic oil tank assembly



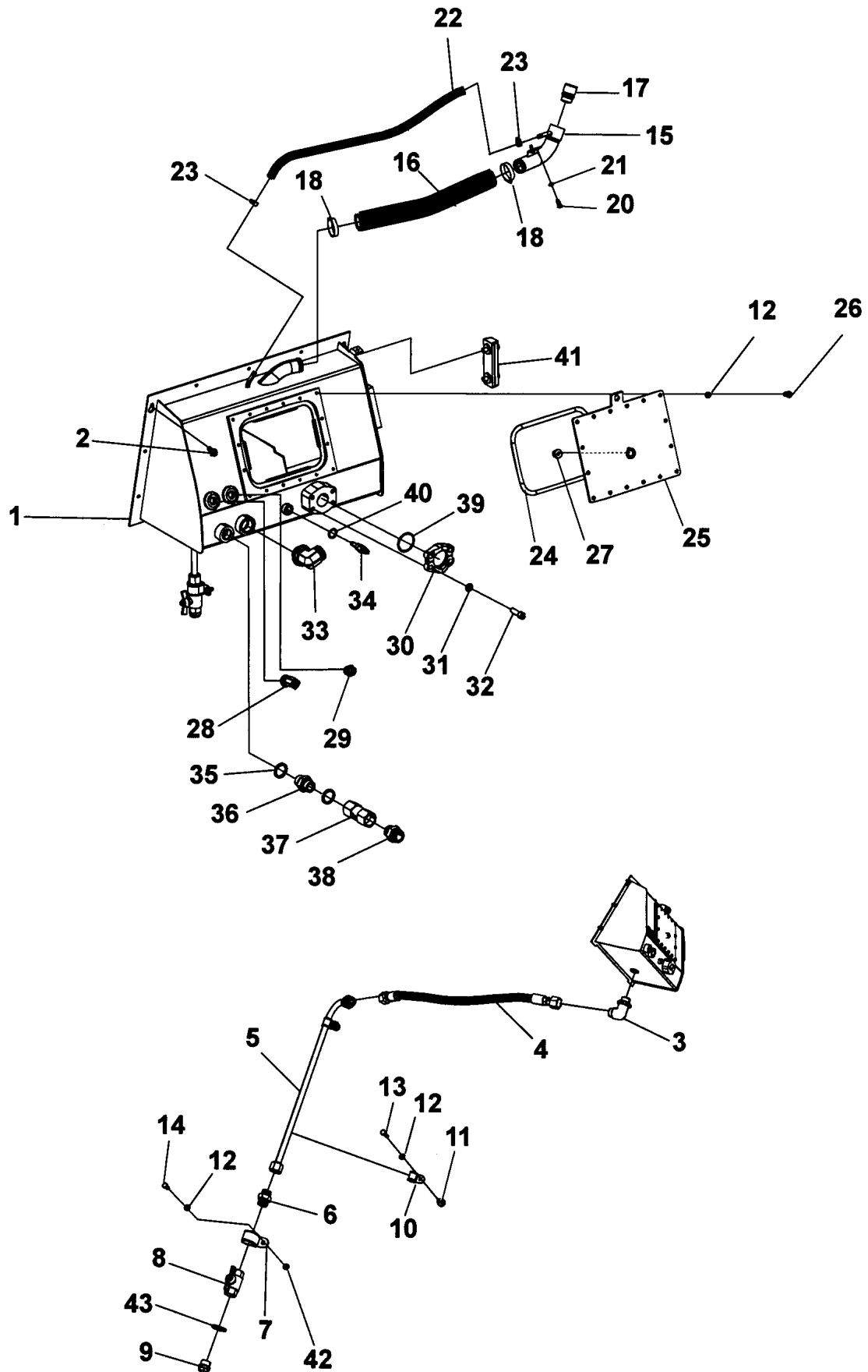
Refer to Parts Online for the most up to date information. The printed information might be outdated.

Fri Dec 11 01:18:00 MST 2015

| Item | Part No. | Name | Qty | L | SN INFO |
|------|------------|-----------------------------|-----|---|---------|
| 1 | 4812118960 | Hydraulic oil tank, cpl | 1 | A | |
| 2 | 4700500505 | Screw, M8x20 mm 8.8 A2K | 9 | | |
| 3 | 4700792068 | Elbow 90° | 1 | | |
| 4 | 4811000202 | Hydraulic hose | 1 | | |
| 5 | 4812114205 | Hydraulic pipe | 1 | | |
| 6 | 0570702503 | Straight connector | 1 | | |
| 7 | 4700923008 | Clamp | 1 | | |
| 8 | 4700233304 | Ball valve | 1 | | |
| 9 | 4700232039 | Steel plug threaded | 1 | | |
| 10 | 4700904346 | Clamp | 2 | | |
| 11 | 4700343748 | Spacer sleeve | 2 | | |
| 12 | 4700904229 | Steel plain washer | 19 | D | |
| 13 | 4700500022 | Screw | 2 | | |
| 14 | 4700500053 | Screw, M8x20 mm 8.8 A2K | 1 | | |
| 15 | 4812112648 | Pipe assembly | 1 | | |
| 16 | 4812116645 | Rubber hose | 1 | | |
| 17 | 4700357138 | Ventilating filter | 1 | | |
| 18 | 4700313009 | Hose clamp | 2 | | |
| 20 | 4700500013 | Hex. screw | 2 | | |
| 21 | 4700904228 | Washer 6.4x12x1.5 mm 300 HV | 2 | | |
| 22 | 4700904985 | Fuel hose, fire-resistant | 1XL | B | |
| 23 | 4700313001 | Hose clamp | 2 | | |
| 24 | 4700390926 | O-ring | 1 | C | |
| 25 | 4812118961 | Cover | 1 | C | |
| 26 | 4700500019 | Hex. screw | 16 | C | |
| 27 | 4700792295 | Steel plug | 1 | C | |
| 28 | 4700792809 | Elbow 90 orfs | 1 | | |
| 29 | 4700791405 | Straight o-ring connector | 1 | | |
| 30 | 4700232118 | Flange | 2 | | |
| 31 | 4700904638 | Washer 12x22x2 | 4 | | |
| 32 | 4700508063 | Screw, M12x40 mm 8.8 | 4 | | |
| 33 | 4812112556 | Connector elbow 90 orfs | 1 | | |
| 34 | 4700792276 | Temperature sensor | 1 | | |
| 35 | 4700162008 | Seal washer | 2 | | |
| 36 | 4700792264 | Straight connector | 1 | | |
| 37 | 4700374059 | Check valve | 1 | | |
| 38 | 4700792338 | Adapter | 1 | | |

Refer to Parts Online for the most up to date information. The printed information might be outdated.

Fri Dec 11 01:18:00 MST 2015



Refer to Parts Online for the most up to date information. The printed information might be outdated.

Fri Dec 11 01:18:00 MST 2015

| Item | Part No. | Name | Qty | L | SN INFO |
|------|------------|----------------------|-----|---|---------|
| 39 | 4700160191 | O-ring | 1 | | |
| 40 | 4700330331 | Washer 18,2x23,9x1,5 | 1 | | |
| 41 | 4700989151 | Oil level glass | 1 | | |
| 42 | 4700904556 | Steel plain washer | 1 | | |
| 43 | 4700791120 | Washer sealing | 1 | | |

Comments for Page: Hydraulic oil tank assembly

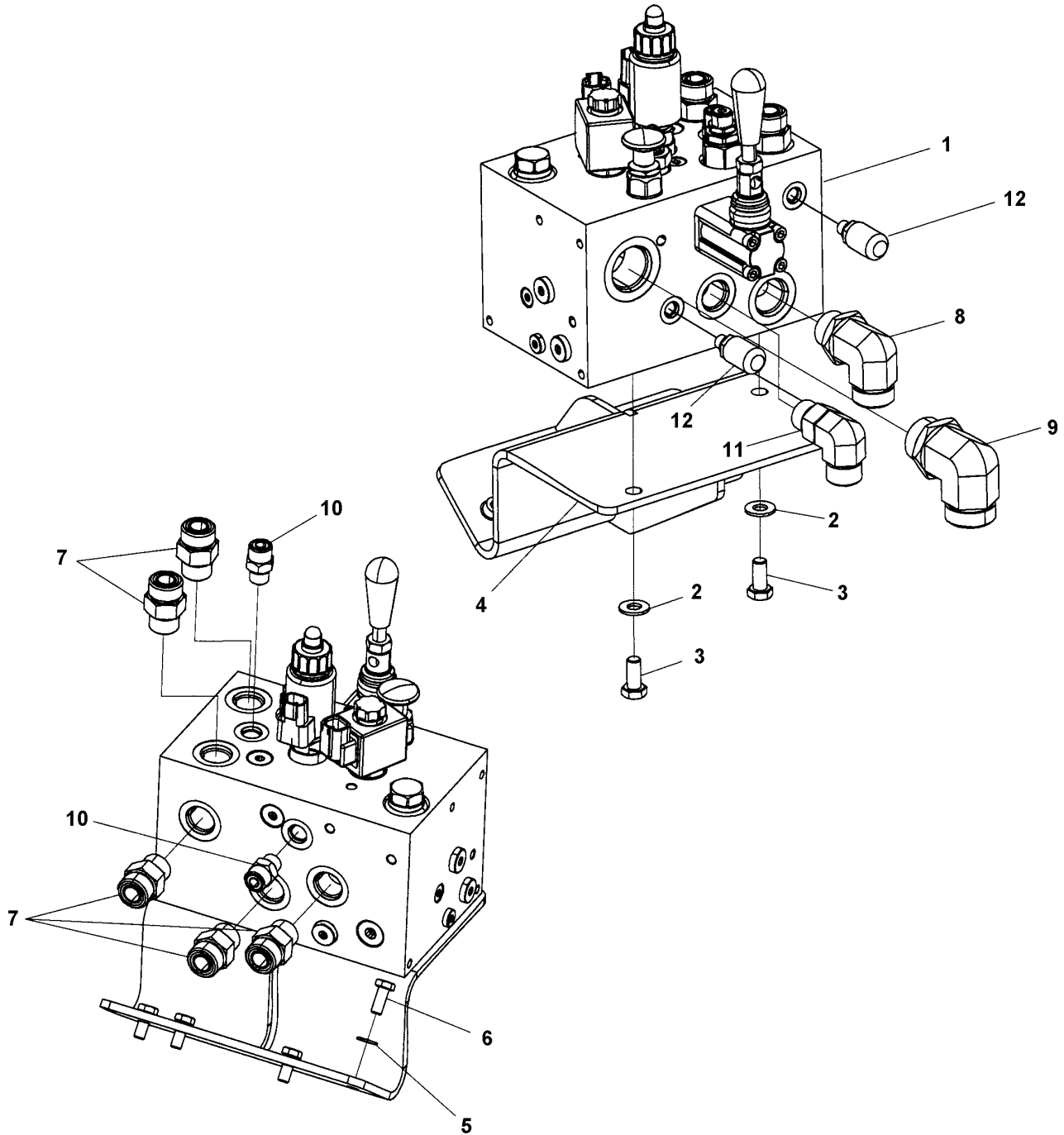
(L)OCAL REMARKS

A | en_US | Includes item 24, 25, 26, 27 and 12 (16 pcs).

B | en_US | L=0.68m

C | en_US | Part of item 1.

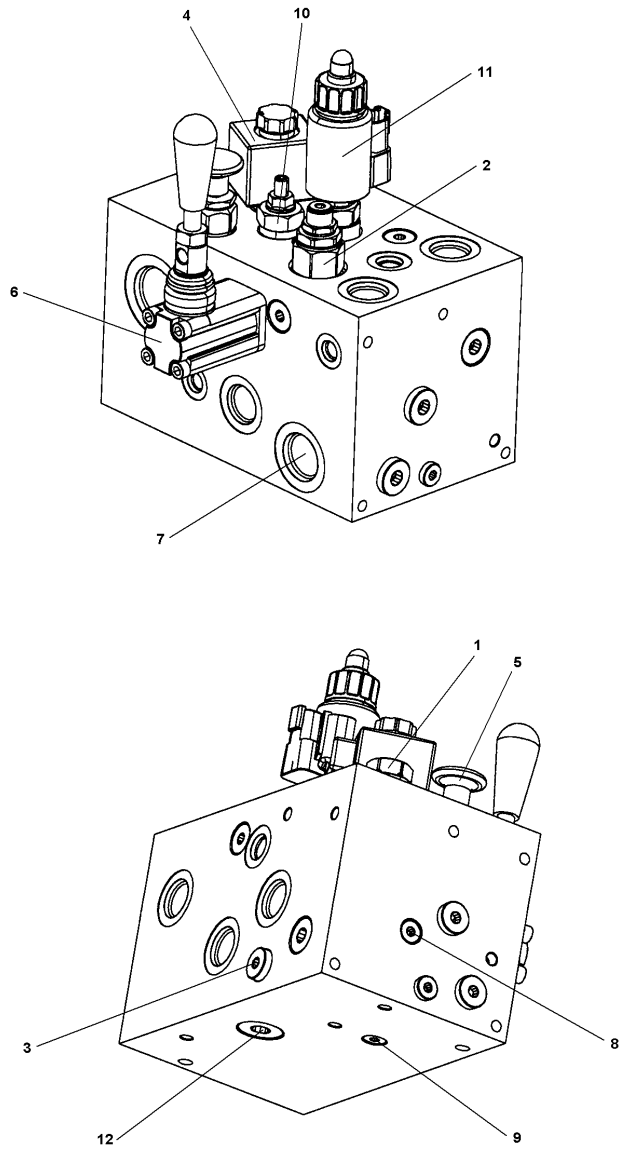
D | en_US | 16 pcs part of item 1.

Hydraulic system, oil tank Hydraulic valve module

Refer to Parts Online for the most up to date information. The printed information might be outdated.

Fri Dec 11 01:18:01 MST 2015

| Item | Part No. | Name | Qty | L | SN INFO |
|------|------------|------------------------------|-----|---|---------|
| 1 | 4812112238 | Hydraulic valve | 1 | | |
| 2 | 4700904230 | Washer 10.5x22x2 mm 300 HV | 2 | | |
| 3 | 4700500027 | Screw M10-1,55x22 8.8 | 2 | | |
| 4 | 4812114434 | Bracket | 1 | | |
| 5 | 4700904229 | Steel plain washer | 4 | | |
| 6 | 4700508092 | Screw | 4 | | |
| 7 | 4700791743 | Straight connector orfs | 5 | | |
| 8 | 4700791231 | Adapter | 1 | | |
| 9 | 4700792299 | Adapter | 1 | | |
| 10 | 4700791409 | Straight connector orfs | 2 | | |
| 11 | 4700791843 | Elbow 90, O-ring with swivel | 1 | | |
| 12 | 4700910162 | Measuring nipple | 2 | | |

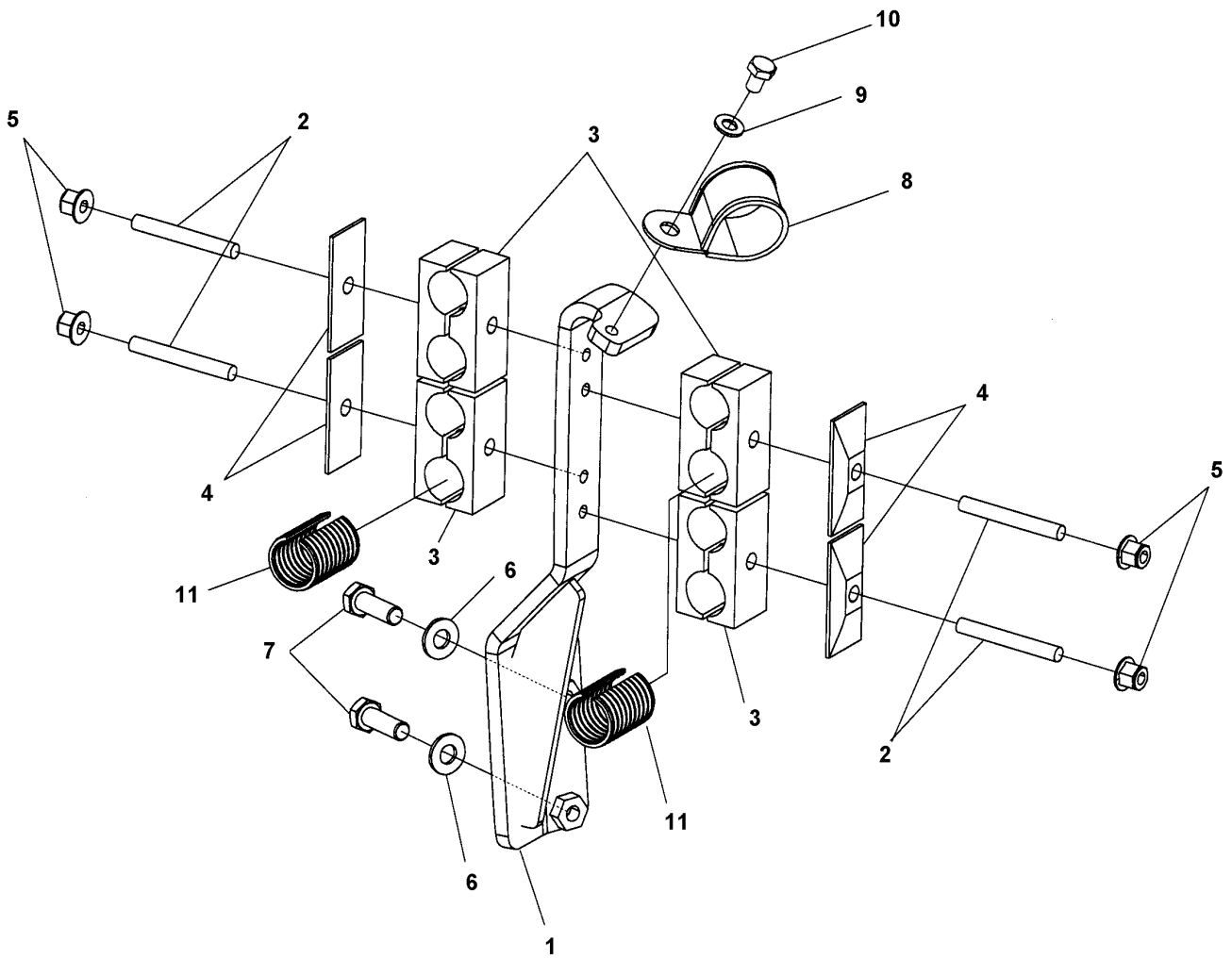
Hydraulic system, oil tank 4812112238 Hydraulic valve

Refer to Parts Online for the most up to date information. The printed information might be outdated.

Fri Dec 11 01:18:01 MST 2015

| Item | Part No. | Name | Qty | L | SN INFO |
|------|------------|------------------------------------|-----|---|---------|
| 0 | 4812112238 | Hydraulic valve | 1 | | |
| 1 | 4812157654 | Pressure compensator | 1 | | |
| 2 | 4812157655 | Pressure relief valve | 1 | | |
| 3 | 4812157681 | Shuttle valve | 1 | | |
| 4 | 4812157770 | Electric 3/2 valve | 1 | | |
| 4 | 4812157771 | Coil | 1 | | |
| 5 | 4812157682 | 2/2 Valve | 1 | | |
| 6 | 4812157772 | Hand pump | 1 | | |
| 6 | 4812157773 | Kit manual lever | 1 | | |
| 7 | 4812157683 | Orifice | 1 | | |
| 8 | 4812157684 | Orifice | 1 | | |
| 9 | 4812157685 | Orifice | 1 | | |
| 10 | 4812157686 | Brake pressure relief valve | 1 | | |
| 11 | 4812157687 | Proportional pressure relief valve | 1 | | |
| 12 | 4812157688 | Check valve | 1 | | |

Hydraulic system, oil tank Hose holder assy kit

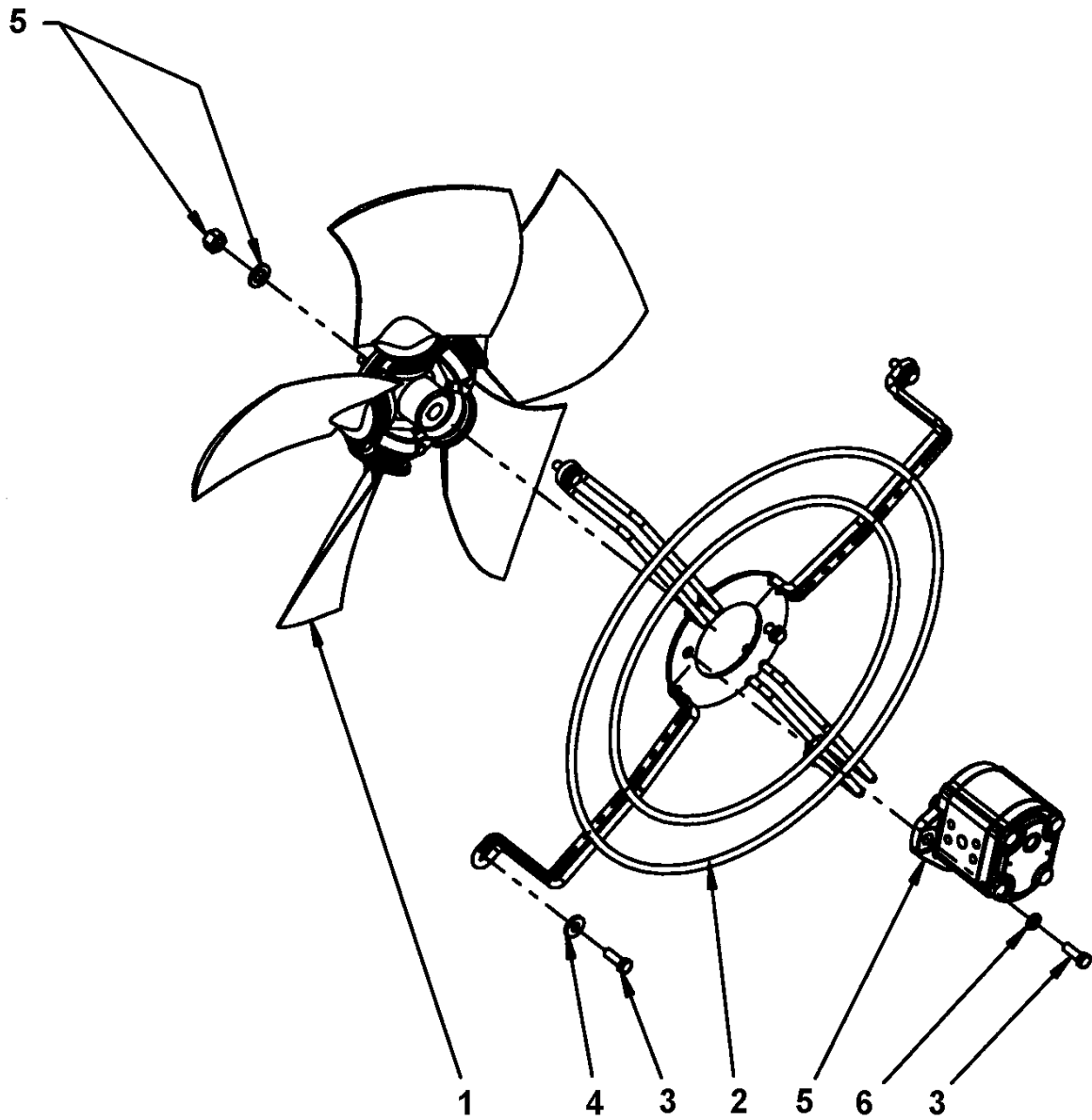


Refer to Parts Online for the most up to date information. The printed information might be outdated.

Fri Dec 11 01:18:02 MST 2015

| Item | Part No. | Name | Qty | L | SN INFO |
|------|------------|----------------------------|-----|---|---------|
| 1 | 4812112542 | Bracket | 1 | | |
| 2 | 4700792500 | Stud | 4 | | |
| 3 | 4700287295 | Clamp | 4 | | |
| 4 | 4700904872 | Cover plate | 4 | | |
| 5 | 4700902286 | Lock nut, M8x1.25 mm A2K | 4 | | |
| 6 | 4700904230 | Washer 10.5x22x2 mm 300 HV | 2 | | |
| 7 | 4700500029 | Hex. screw | 2 | | |
| 8 | 4700923008 | Clamp | 1 | | |
| 9 | 4700904229 | Steel plain washer | 1 | | |
| 10 | 4700500018 | Hex. screw | 1 | | |
| 11 | 4812113941 | Hose holder clip | 2 | | |

Hydraulic system, oil tank Fan module, front



Refer to Parts Online for the most up to date information. The printed information might be outdated.

Fri Dec 11 01:18:02 MST 2015

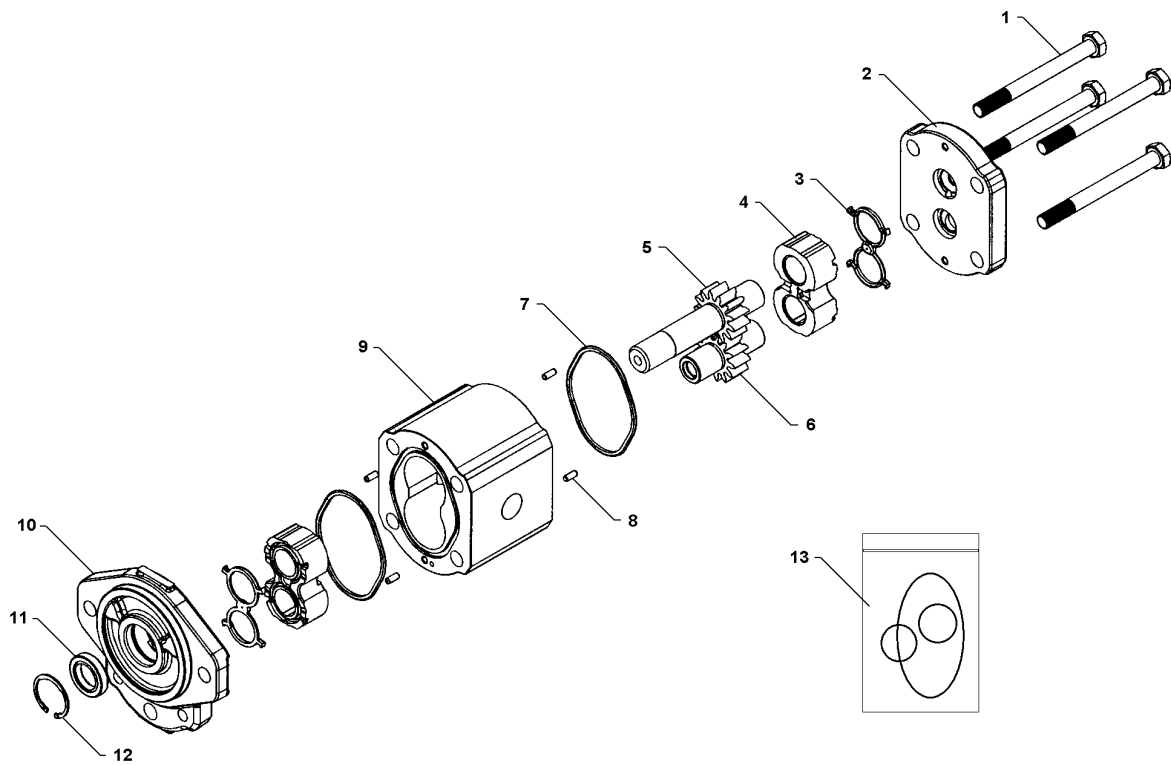
| Item | Part No. | Name | Qty | L | SN INFO |
|------|------------|---------------------------|-----|---|---------|
| 1 | 4812111035 | Fan | 1 | | |
| 2 | 4812118214 | Bracket | 1 | 1 | |
| 3 | 4700500021 | Hex. screw | 6 | | |
| 4 | 4700904640 | Washer, 8.4x22x3 mm 300HV | 4 | | |
| 5 | 4812117797 | Hydraulic motor | 1 | 1 | |
| 6 | 4700904229 | Steel plain washer | 2 | | |

Comments for Page: Fan module, front

(L)OCAL REMARKS

1 | en_US | Hydraulic motor PN 4812117797 and bracket PN 4812118214 replaces old Hydraulic motor PN 4812112107.

Hydraulic system, oil tank 4812117797 Hydraulic motor



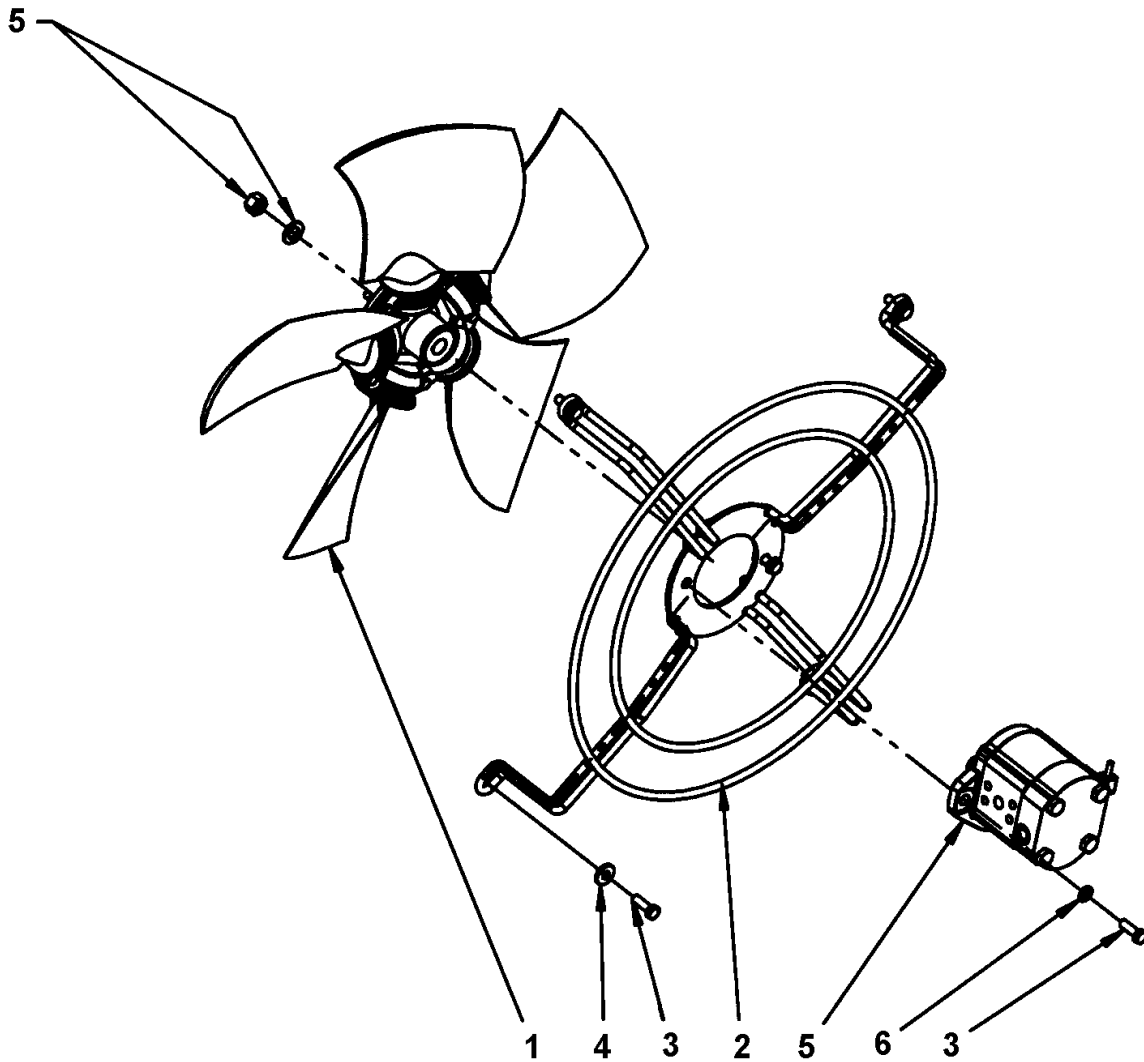
| Item | Part No. | Name | Qty | L | SN INFO |
|------|------------|-----------------|-----|---|---------|
| - | 4812117797 | Hydraulic motor | 1 | | |
| 1 | - | Screw | 4 | | |
| 2 | - | End cover | 1 | | |
| 3 | - | Seal | 2 | A | |
| 4 | - | Bearing block | 2 | | |
| 5 | - | Drive gear | 1 | | |
| 6 | - | Idler gear | 1 | | |
| 7 | - | Shaft seal | 2 | A | |
| 8 | - | Dowel pin | 4 | | |
| 9 | - | Gear housing | 1 | | |
| 10 | - | Mounting flange | 1 | | |
| 11 | - | Shaft seal | 1 | A | |
| 12 | - | Snap ring | 1 | | |
| 13 | 4700903431 | Seal kit | 1 | | |

Comments for Page: 4812117797 Hydraulic motor

(L)OCAL REMARKS

A | en_US | Included in seal kit.

Hydraulic system, oil tank Fan module, rear



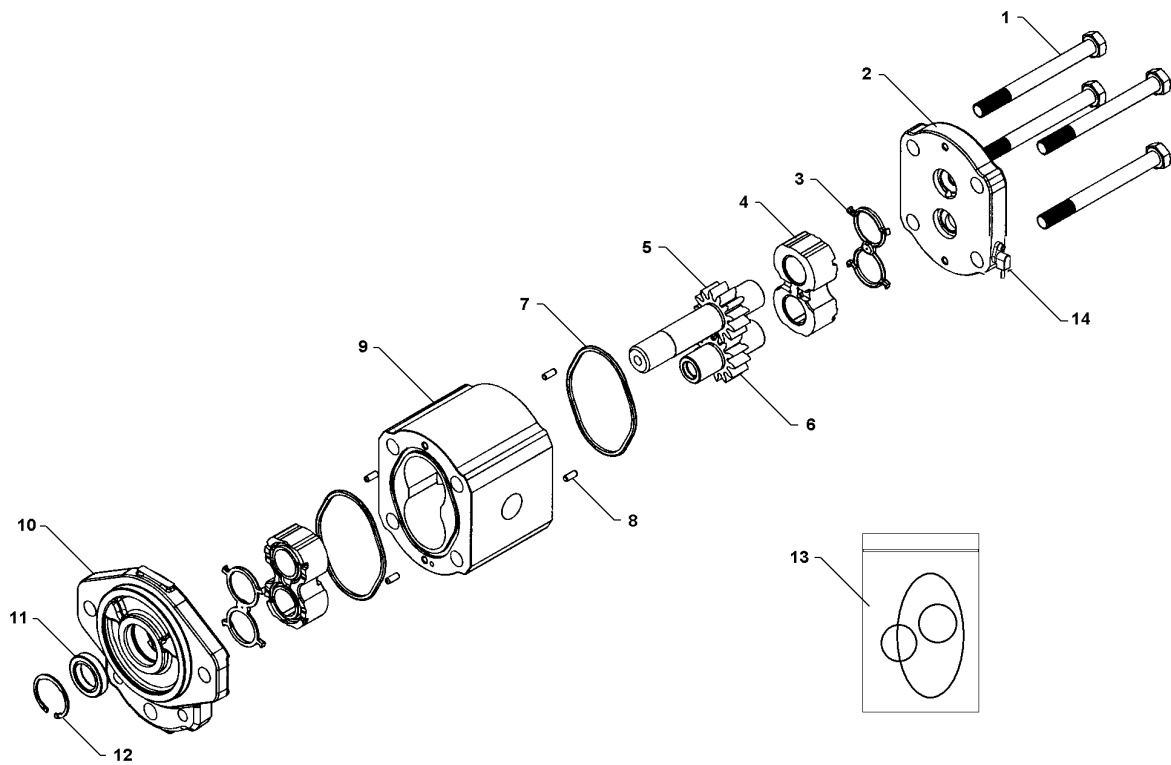
| Item | Part No. | Name | Qty | L | SN INFO |
|------|------------|---------------------------|-----|---|---------|
| 1 | 4812111035 | Fan | 1 | | |
| 2 | 4812118214 | Bracket | 1 | 1 | |
| 3 | 4700500021 | Hex. screw | 6 | | |
| 4 | 4700904640 | Washer, 8.4x22x3 mm 300HV | 4 | | |
| 5 | 4812117796 | Hydraulic motor | 1 | 1 | |
| 6 | 4700904229 | Steel plain washer | 2 | | |

Comments for Page: Fan module, rear

(L)OCAL REMARKS

1 | en_US | Hydraulic motor PN 4812117796 and bracket PN 4812118214 replaces old Hydraulic motor PN 4812112106.

Hydraulic system, oil tank 4812117796 Hydraulic motor



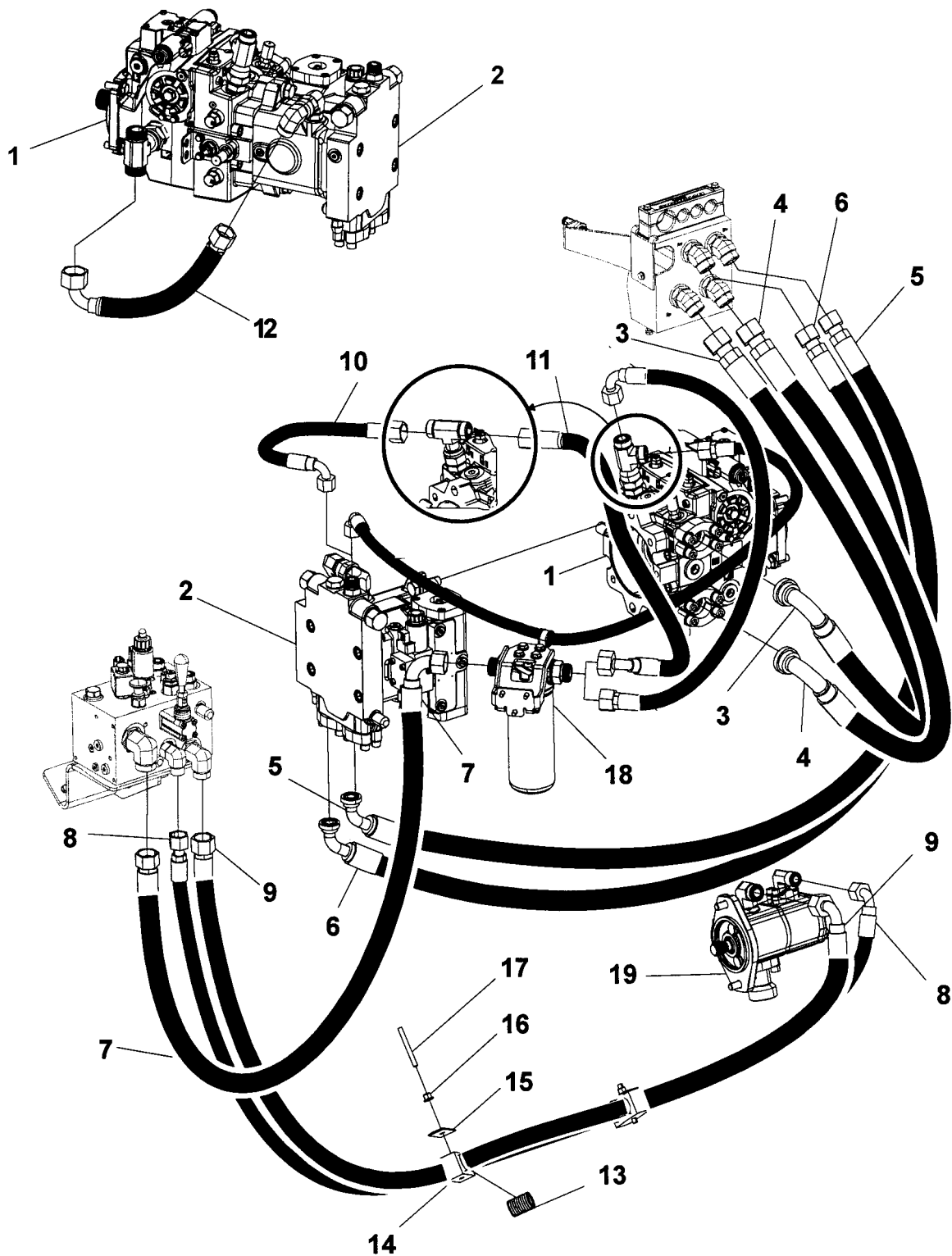
| Item | Part No. | Name | Qty | L | SN INFO |
|------|------------|-----------------|-----|---|---------|
| - | 4812117796 | Hydraulic motor | 1 | | |
| 1 | -- | Screw | 4 | | |
| 2 | -- | End cover | 1 | | |
| 3 | -- | Seal | 2 | A | |
| 4 | -- | Bearing block | 2 | | |
| 5 | -- | Drive gear | 1 | | |
| 6 | -- | Idler gear | 1 | | |
| 7 | -- | Shaft seal | 2 | A | |
| 8 | -- | Dowel pin | 4 | | |
| 9 | -- | Gear housing | 1 | | |
| 10 | -- | Mounting flange | 1 | | |
| 11 | -- | Shaft seal | 1 | A | |
| 12 | -- | Snap ring | 1 | | |
| 13 | 4700903431 | Seal kit | 1 | | |
| 14 | 4812159763 | Sensor w cable | 1 | | |

Comments for Page: 4812117796 Hydraulic motor

(L)OCAL REMARKS

A | en_US | Included in seal kit.

Hydraulic system, engine room Hydraulic system, engine room

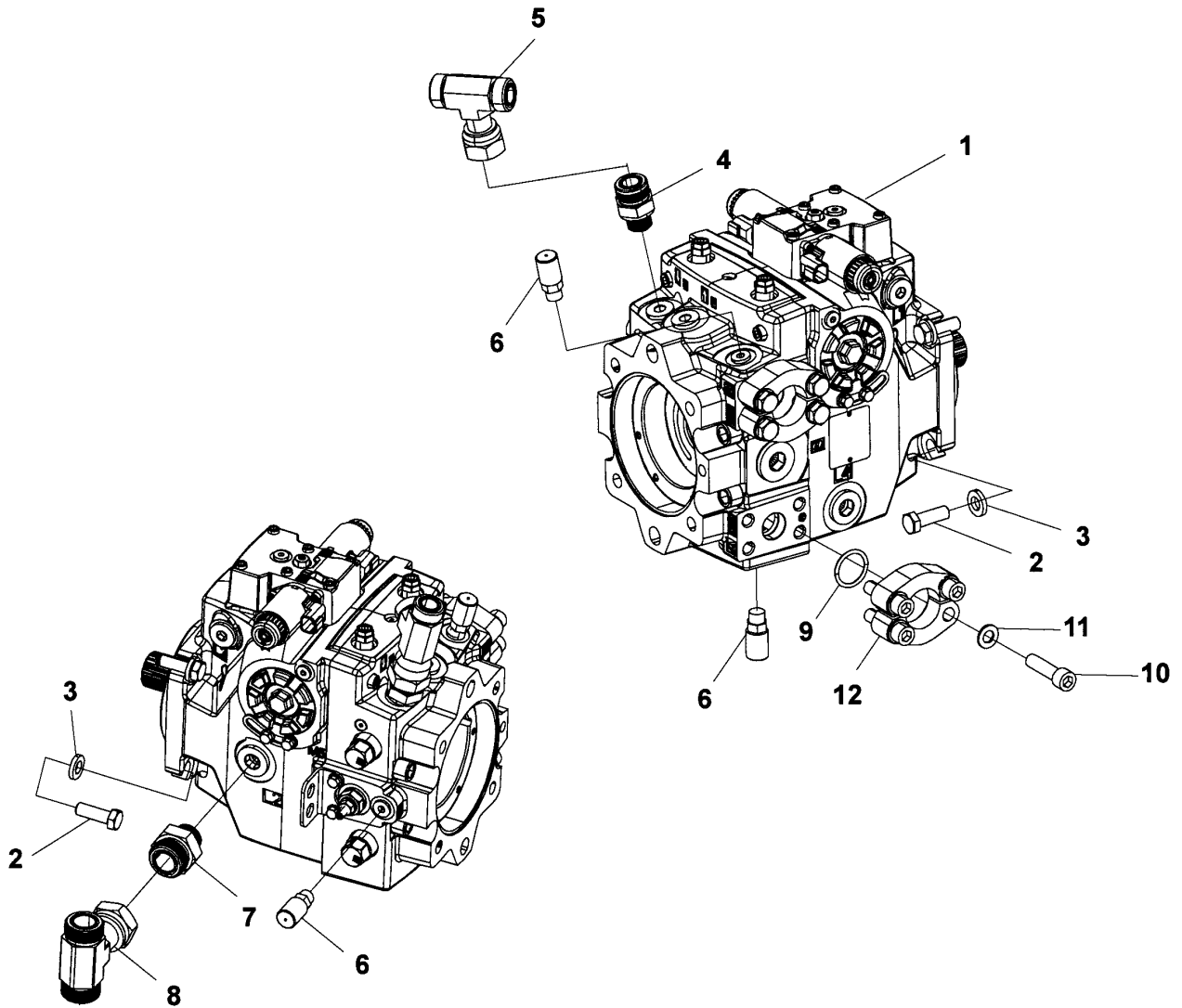


Refer to Parts Online for the most up to date information. The printed information might be outdated.

Fri Dec 11 01:18:07 MST 2015

| Item | Part No. | Name | Qty | L | SN INFO |
|------|------------|---------------------------|-----|---|---------|
| 1 | - | Hydraulic pump module | 1 | | |
| 2 | - | Hydraulic pump module | 1 | | |
| 3 | 4811000221 | Hydraulic hose | 1 | | |
| 4 | 4811000220 | Hydraulic hose | 1 | | |
| 5 | 4812114101 | Hydraulic hose | 1 | | |
| 6 | 4812114100 | Hydraulic hose | 1 | | |
| 7 | 4811000212 | Hydraulic hose | 1 | | |
| 8 | 4811000218 | Hydraulic hose | 1 | | |
| 9 | 4811000216 | Hydraulic hose | 1 | | |
| 10 | 4812117324 | Hydraulic hose | 1 | | |
| 11 | 4812117322 | Hydraulic hose | 1 | | |
| 12 | 4812114519 | Hydraulic hose | 1 | | |
| 13 | 4812113941 | Hose holder clip | 2 | | |
| 14 | 4700791711 | Pipe clamp | 2 | | |
| 15 | 4700791712 | Cover plate | 2 | | |
| 16 | 4700902286 | Lock nut, M8x1.25 mm A2K | 2 | | |
| 17 | 4700791805 | Stud | 2 | | |
| 18 | - | Hydraulic oil filter assy | 1 | | |
| 19 | - | Hydraulic pump module | 1 | | |

Hydraulic system, engine room Hydraulic pump module

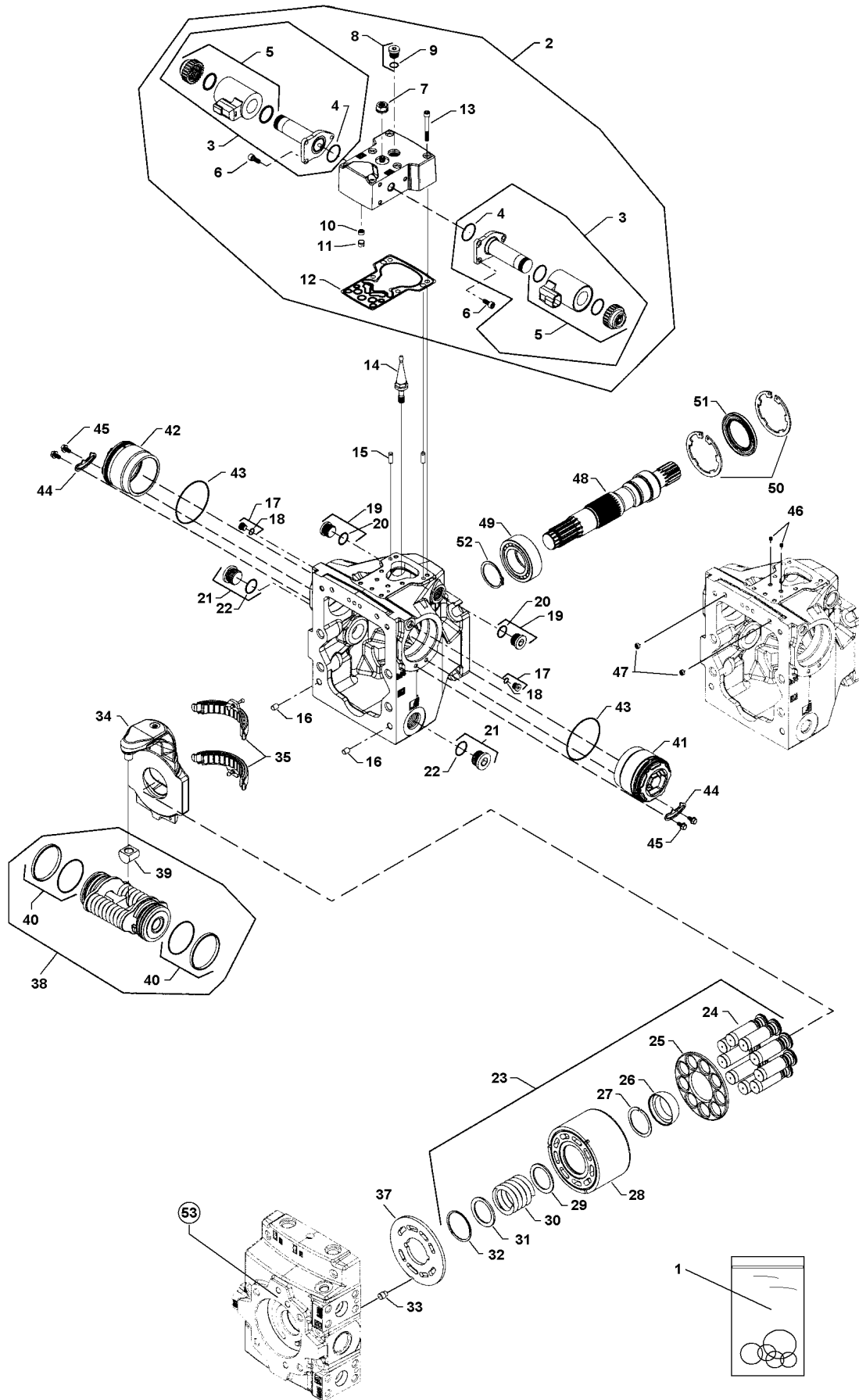


Refer to Parts Online for the most up to date information. The printed information might be outdated.

Fri Dec 11 01:18:08 MST 2015

| Item | Part No. | Name | Qty | L | SN INFO |
|------|------------|----------------------------|-----|---|---------|
| 1 | 4812112171 | Hydraulic pump | 1 | | |
| 2 | 4700500037 | Hex. screw | 4 | | |
| 3 | 4700904703 | Plain washer 13x24x4 mm | 4 | | |
| 4 | 4812115051 | Straight connector orfs | 1 | | |
| 5 | 4700791831 | Tee-connector | 1 | | |
| 6 | 4700900229 | Measuring fitting | 3 | | |
| 7 | 4812112560 | Straight connector orfs | 1 | | |
| 8 | 4812112561 | T-adapter | 1 | | |
| 9 | 4700904005 | O-ring | 2 | | |
| 10 | 4700928791 | Screw, M12 x 45 mm 8.8 A3K | 8 | | |
| 11 | 4700904638 | Washer 12x22x2 | 8 | | |
| 12 | 4700923384 | Split flange | 4 | | |

4812112171 Hydraulic pump 4812112171 Hydraulic pump



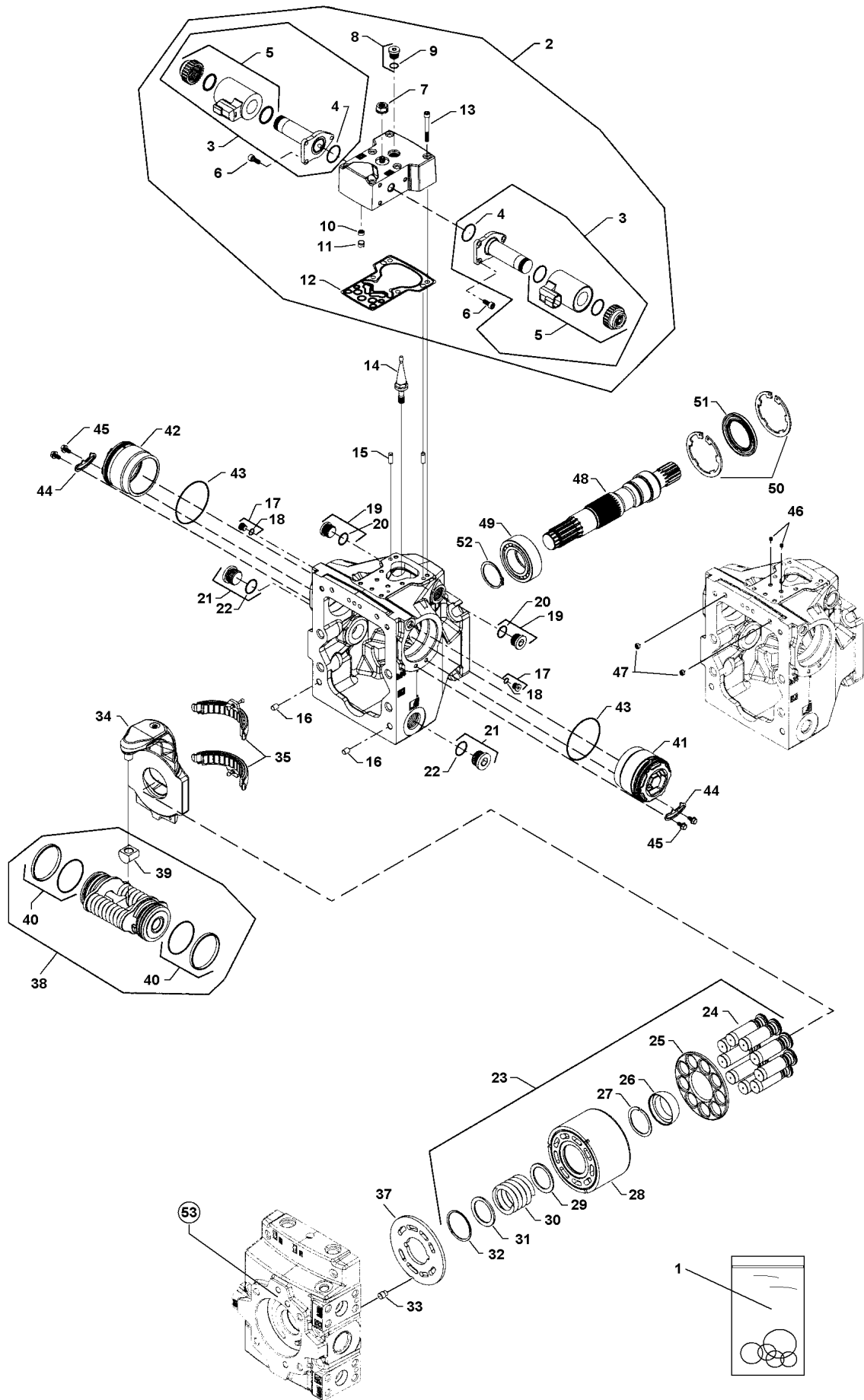
Refer to Parts Online for the most up to date information. The printed information might be outdated.

Fri Dec 11 01:18:10 MST 2015

| Item | Part No. | Name | Qty | L | SN INFO |
|------|------------|-------------------------------|-----|---|---------|
| 0 | 4812112171 | Hydraulic pump | 1 | | |
| 1 | 4812157365 | Seal kit | 1 | | |
| 2 | 4812157369 | Control unit kit | 1 | | |
| 3 | 4812157370 | Solenoid | 2 | | |
| 4 | 4812157371 | O-ring | 2 | | |
| 5 | 4812157372 | Coil kit 24V | 2 | | |
| 6 | --- | Screw | 6 | | |
| 7 | --- | Seal nut | 1 | | |
| 8 | --- | Plug | 1 | | |
| 9 | --- | O-ring | 1 | | |
| 10 | --- | Screen | 1 | | |
| 11 | --- | Locking ring | 1 | | |
| 12 | 4812157373 | Control gasket | 1 | | |
| 13 | -- | Screw | 6 | | |
| 14 | -- | Swashplate feedback link | 1 | | |
| 15 | -- | Dowel pin | 2 | | |
| 16 | -- | Dowel pin | 2 | | |
| 17 | -- | Plug assy | 2 | | |
| 18 | -- | O-ring | 2 | | |
| 19 | -- | Plug assy | 2 | | |
| 20 | -- | O-ring | 2 | | |
| 21 | -- | Plug assy | 2 | | |
| 22 | -- | O-ring | 2 | | |
| 23 | 4812157366 | Cylinder block kit 78cc | 1 | | |
| 24 | --- | Slipper/piston kit, 78cc | 1 | | |
| 25 | --- | Slipper retainer | 1 | | |
| 26 | --- | Slipper retainer ball guide | 1 | | |
| 27 | --- | Spring washer | 1 | | |
| 28 | --- | Cylinder block assembly, 78cc | 1 | | |
| 29 | --- | Washer | 1 | | |
| 30 | --- | Cylinder block spring | 1 | | |
| 31 | --- | Washer | 1 | | |
| 32 | --- | Retaining ring | 1 | | |
| 33 | -- | Valve plate pin | 1 | | |
| 34 | 4812157367 | Swashplate | 1 | | |
| 35 | 4812157368 | Swashplate bearing kit | 1 | | |
| 37 | -- | Valve plate | 1 | | |

Refer to Parts Online for the most up to date information. The printed information might be outdated.

Fri Dec 11 01:18:10 MST 2015

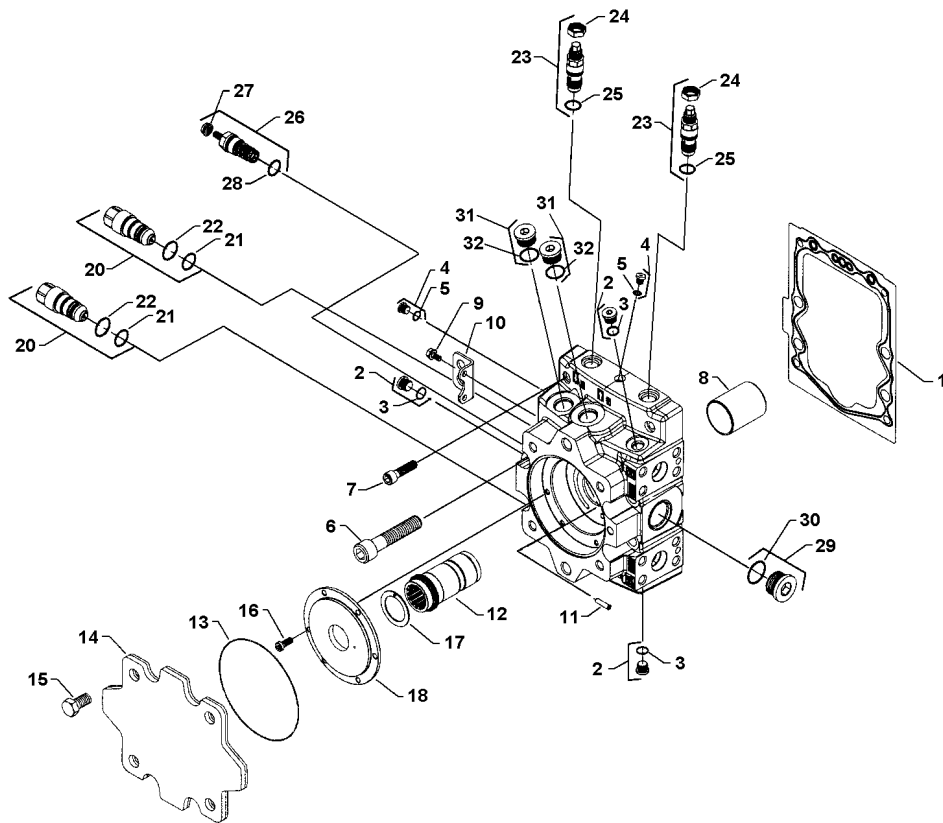


Refer to Parts Online for the most up to date information. The printed information might be outdated.

Fri Dec 11 01:18:10 MST 2015

| Item | Part No. | Name | Qty | L | SN INFO |
|------|------------|------------------------------------|-----|---|---------|
| 38 | -- | Servo piston assy | 1 | | |
| 39 | 4812157374 | Slider block | 1 | | |
| 40 | --- | Piston seal ring kit | 2 | | |
| 41 | -- | Servo cylinder | 1 | | |
| 42 | -- | Servo cylinder | 1 | | |
| 43 | 4812157375 | O-ring | 2 | | |
| 44 | -- | Locking plate | 2 | | |
| 45 | -- | Screw | 4 | | |
| 46 | 4812157376 | Orifice 1.3, M6x0.75mm | 2 | | |
| 47 | -- | Screen 8 mm, 125 micron | 2 | | |
| 48 | 4812157379 | Shaft 21 tooth spline, 16/32 pitch | 1 | | |
| 49 | 4812157380 | Roller bearing | 1 | | |
| 50 | -- | Retaining ring | 2 | | |
| 51 | 4812157381 | Lip seal | 1 | | |
| 52 | -- | Retaining ring | 1 | | |
| 53 | -- | End cap, cpl | 1 | | |

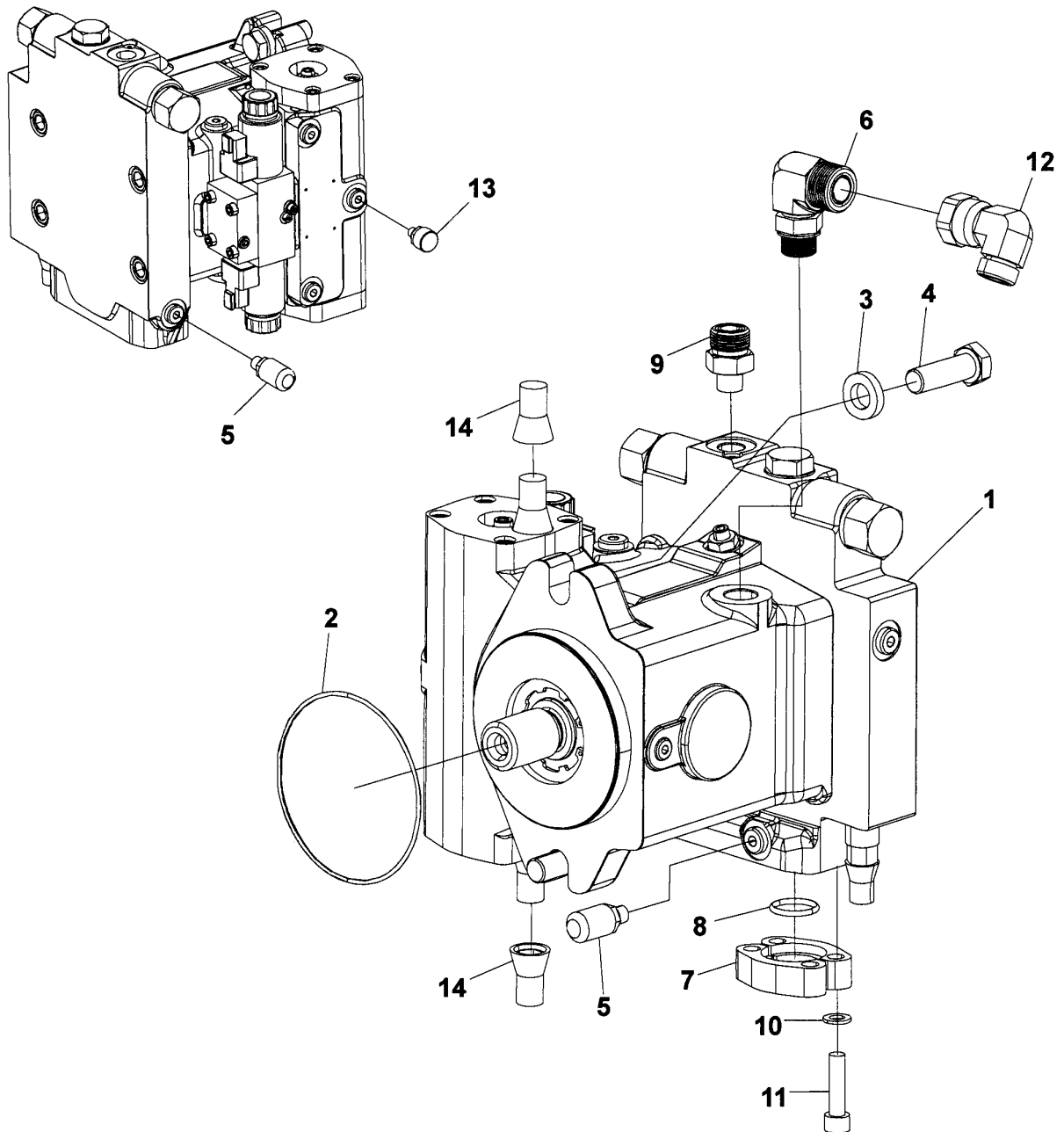
4812112171 Hydraulic pump End cap, cpl



Refer to Parts Online for the most up to date information. The printed information might be outdated.

Fri Dec 11 01:18:11 MST 2015

| Item | Part No. | Name | Qty | L | SN INFO |
|------|------------|--|-----|---|---------|
| 1 | 4812157377 | End cap gasket | 1 | | |
| 2 | - | Plug assy | 3 | | |
| 3 | - | O-ring | 3 | | |
| 4 | - | Plug assy | 2 | | |
| 5 | - | O-ring | 2 | | |
| 6 | - | Screw | 6 | | |
| 7 | - | Screw | 2 | | |
| 8 | 4812157378 | Bearing journal | 1 | | |
| 9 | - | Screw | 2 | | |
| 10 | - | Lifting bracket | 1 | | |
| 11 | - | Lubrication orifice | 1 | | |
| 12 | 4812157382 | Coupling 14 tooth, 12/24 pitch | 1 | | |
| 13 | - | O-ring | 1 | | |
| 14 | - | Flange cover | 1 | | |
| 15 | - | Screw | 4 | | |
| 16 | - | Screw | 6 | | |
| 17 | 4812157383 | Thrust washer | 1 | | |
| 18 | - | Charge pump cover | 1 | | |
| 20 | 4812157384 | High pressure relief valve, towing valve 400 bar | 2 | | |
| 21 | 4812159461 | O-ring | 2 | | |
| 22 | 4700813618 | O-ring | 2 | | |
| 23 | 4812158360 | Pressure limiter kit | 2 | | |
| 24 | - | Seal nut | 2 | | |
| 25 | - | O-ring | 2 | | |
| 26 | 4812157386 | Charge relief valve kit | 1 | | |
| 27 | 4812157387 | Seal nut | 1 | | |
| 28 | 4812158990 | O-ring | 1 | | |
| 29 | - | Plug assy | 1 | | |
| 30 | - | O-ring | 1 | | |
| 31 | - | Plug assy | 2 | | |
| 32 | - | O-ring | 2 | | |

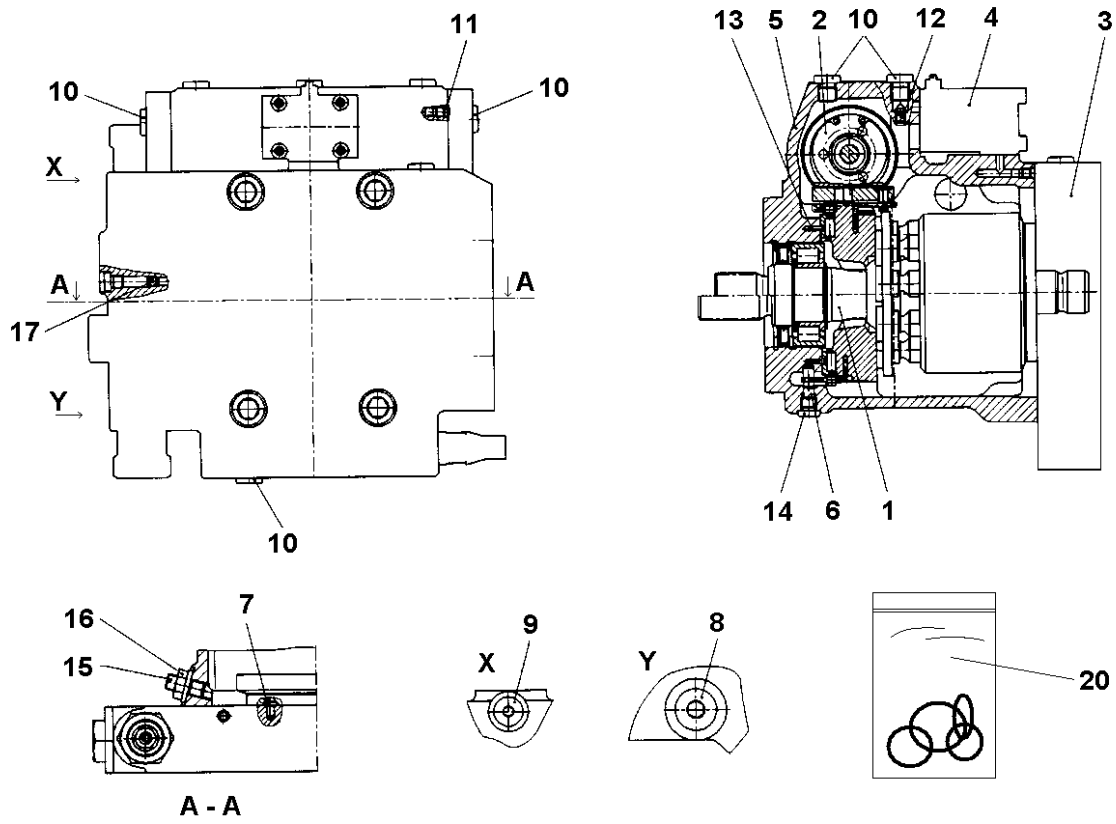
Hydraulic system, engine room Hydraulic pump module

Refer to Parts Online for the most up to date information. The printed information might be outdated.

Fri Dec 11 01:18:11 MST 2015

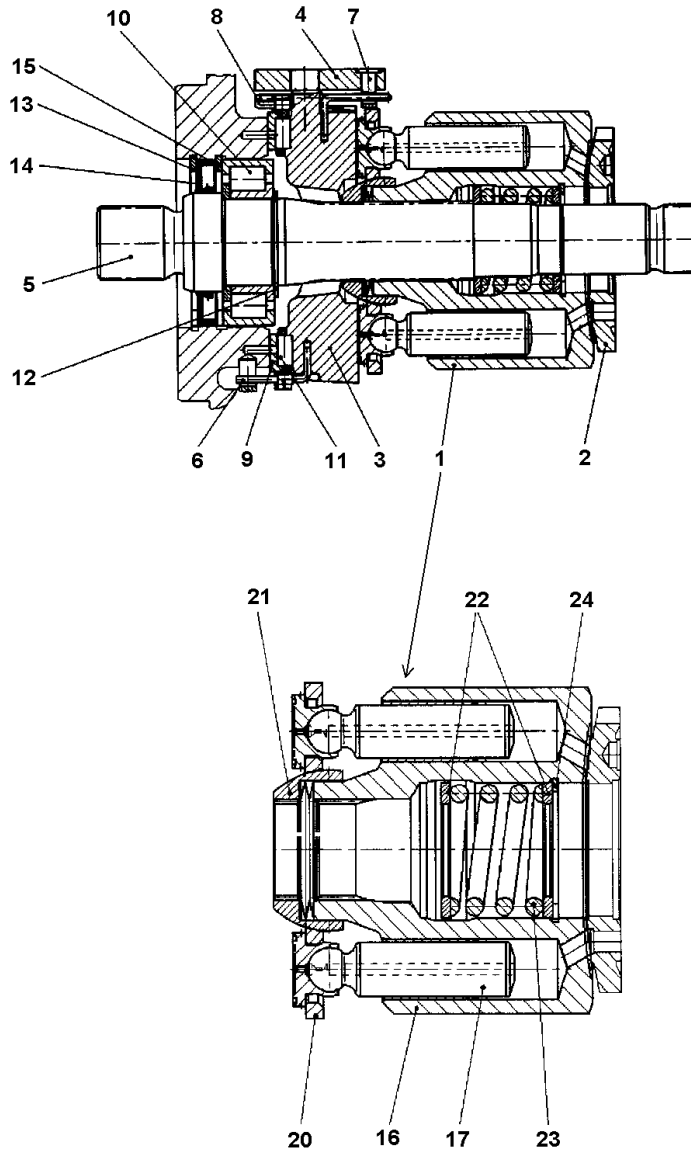
| Item | Part No. | Name | Qty | L | SN INFO |
|------|------------|---------------------------|-----|---|---------|
| 1 | 4812112175 | Hydraulic pump | 1 | | |
| 2 | 4700160231 | O-ring | 1 | | |
| 3 | 4700904558 | Washer, 17x30x6 mm 300 HV | 2 | | |
| 4 | 4700500070 | Hex. screw | 2 | | |
| 5 | 4700901157 | Measuring nipple | 2 | | |
| 6 | 4811000417 | Connector elbow 90 orfs | 1 | | |
| 7 | 4700929226 | Flange half | 4 | | |
| 8 | 4700904004 | O-ring 90 | 2 | | |
| 9 | 4700792465 | Straight connector orfs | 1 | | |
| 10 | 4700904637 | Washer | 8 | | |
| 11 | 4700508080 | Screw | 8 | | |
| 12 | 4700904584 | Connector elbow 90 ORFS | 1 | | |
| 13 | 4812116781 | Oil filling plug | 1 | | |
| 14 | 4812118393 | Sealing | 2 | | |

4812112175 Hydraulic pump 4812112175 Hydraulic pump



| Item | Part No. | Name | Qty | L | SN INFO |
|------|------------|----------------------|-----|---|---------|
| 1 | - | Rotary group | 1 | | |
| 2 | - | Hydraulic adjustment | 1 | | |
| 3 | - | Subplate | 1 | | |
| 4 | - | 4/3 Pilot valve | 1 | | |
| 5 | - | Housing | 1 | | |
| 6 | - | Hinge pin | 1 | | |
| 7 | - | Fixing pin | 1 | | |
| 8 | - | Locking screw | 1 | | |
| 9 | - | Locking screw | 1 | | |
| 10 | - | Locking screw | 4 | | |
| 11 | - | Double break of pin | 2 | | |
| 12 | - | Orifice | 2 | | |
| 13 | - | Clamping pin | 2 | | |
| 14 | - | Locking screw | 1 | | |
| 15 | - | Set screw | 1 | | |
| 16 | - | Collar nut | 1 | | |
| 17 | - | Orifice | 1 | | |
| 20 | 4700940676 | Seal kit | 1 | | |

4812112175 Hydraulic pump Rotary group

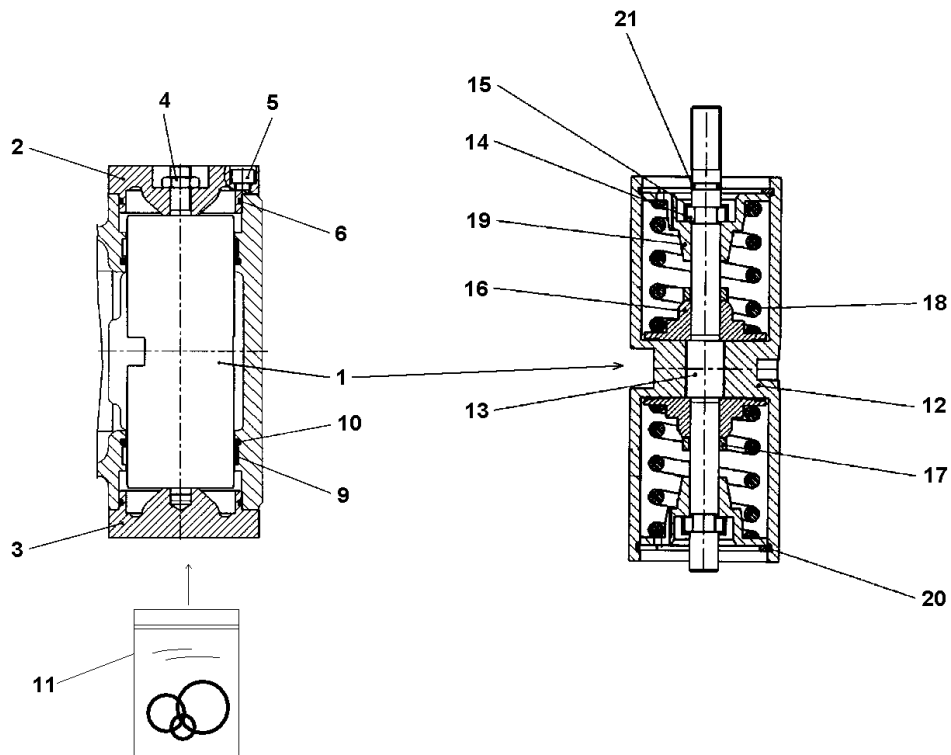


Refer to Parts Online for the most up to date information. The printed information might be outdated.

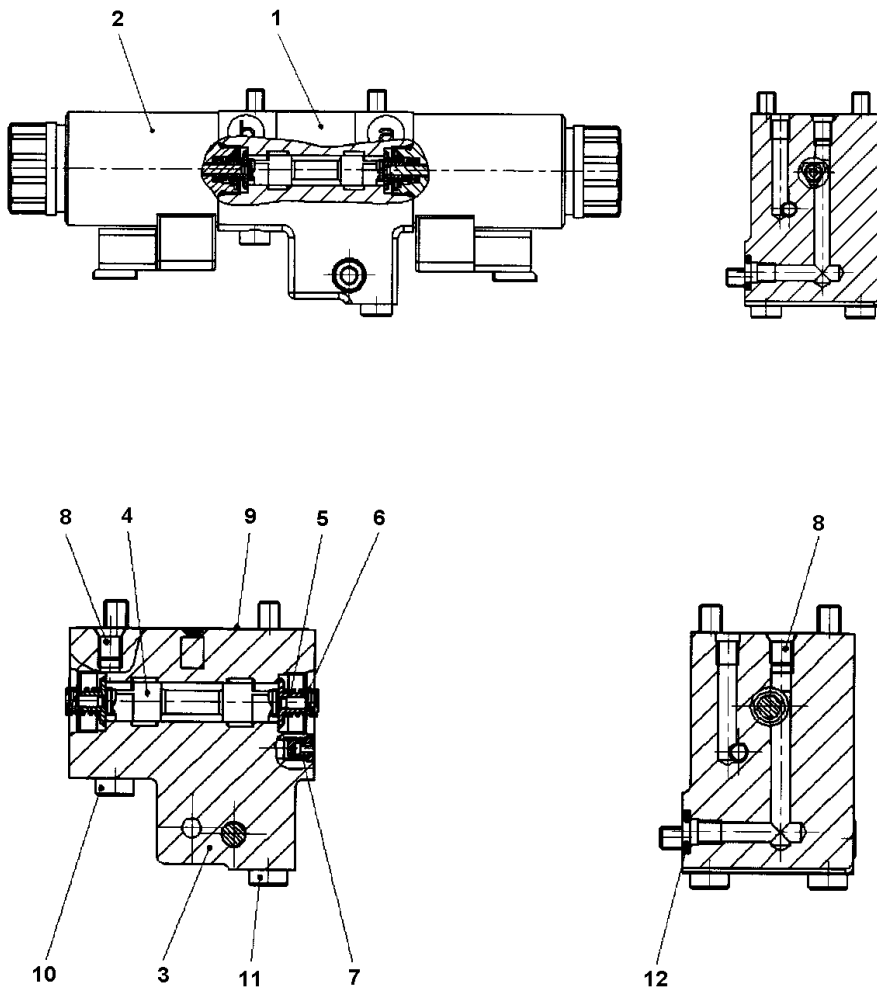
Fri Dec 11 01:18:12 MST 2015

| Item | Part No. | Name | Qty | L | SN INFO |
|------|------------|-----------------------------|-----|---|---------|
| 1 | - | Engine hydraulic part | 1 | | |
| 2 | - | Control panel | 1 | | |
| 3 | - | Cradle | 1 | | |
| 4 | - | Sliding ring | 1 | | |
| 5 | - | Drive shaft | 1 | | |
| 6 | - | Wire | 1 | | |
| 7 | - | Hinge pin | 1 | | |
| 8 | - | Wire | 1 | | |
| 9 | 4812157193 | Bearing pair | 1 | | |
| 10 | 4812157194 | Cylindrical roller bearings | 1 | | |
| 11 | 4812157195 | Cage pair | 1 | | |
| 12 | - | Circlip | 1 | | |
| 13 | - | Circlip | 1 | | |
| 14 | - | Shaft sealing ring | 1 | | |
| 15 | - | Circlip | 1 | | |
| 16 | - | Cylinder with bushing | 1 | | |
| 17 | - | Piston slipper pad | 9 | | |
| 20 | 4812157196 | Retaining plate | 1 | | |
| 21 | 4812157197 | Retaining ball | 1 | | |
| 22 | - | Washer | 2 | | |
| 23 | - | Pressure spring | 1 | | |
| 24 | - | Circlip | 1 | | |

4812112175 Hydraulic pump Hydraulic adjustment

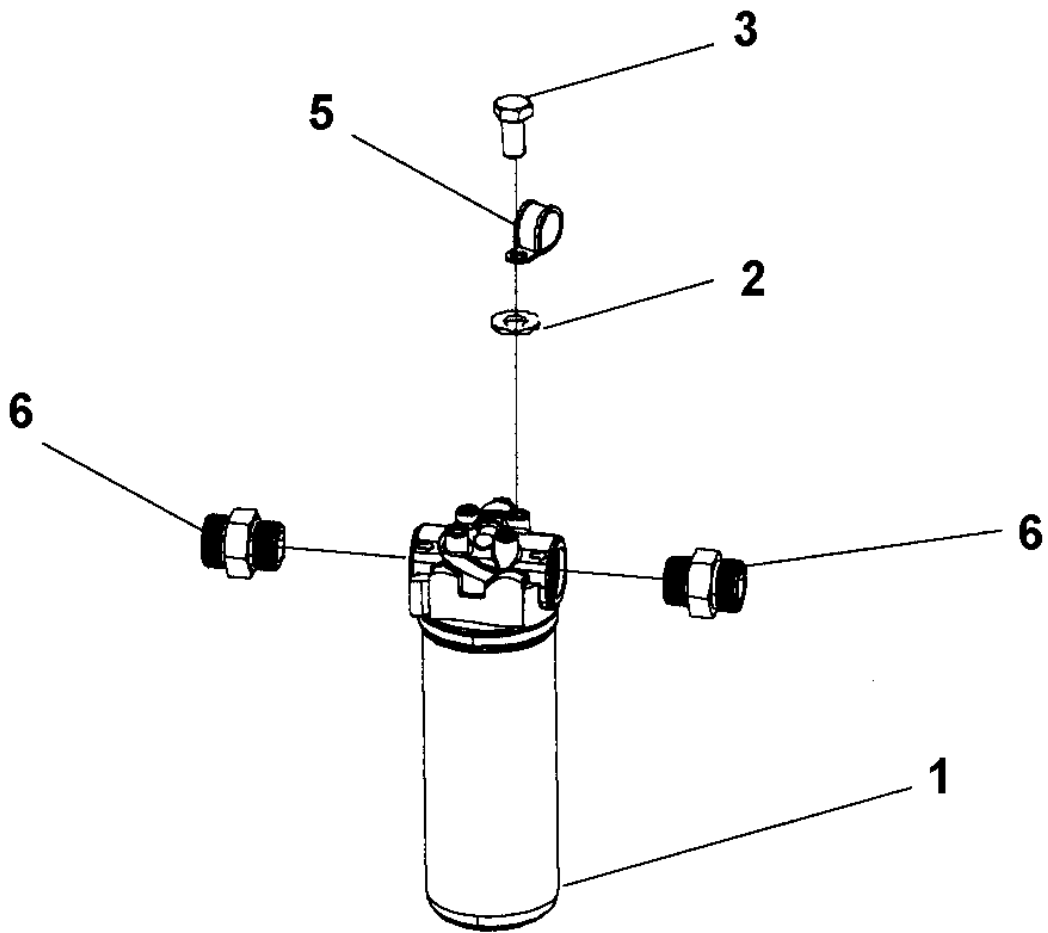


| Item | Part No. | Name | Qty | L | SN INFO |
|------|------------|--------------------|-----|---|---------|
| 1 | - | Positioning piston | 1 | | |
| 2 | - | Cover | 1 | | |
| 3 | - | Cover | 1 | | |
| 4 | - | Hexagon nut | 1 | | |
| 5 | - | Socket head screw | 8 | | |
| 6 | 4812157198 | O-ring | 2 | | |
| 9 | - | Guide Ring | 2 | | |
| 10 | - | Rod seal kit | 2 | | |
| 11 | 4812157199 | Hydraulic seal kit | 1 | | |
| 12 | - | Control piston | 1 | | |
| 13 | - | Rod | 1 | | |
| 14 | - | Ring | 2 | | |
| 15 | - | Retaining ring | 2 | | |
| 16 | - | Spring plate | 2 | | |
| 17 | - | Spacer | 2 | | |
| 18 | - | Pressure spring | 2 | | |
| 19 | - | Spring plate | 2 | | |
| 20 | - | Circlip | 2 | | |
| 21 | 4812157251 | O-ring | 1 | | |

4812112175 Hydraulic pump 4/3 Pilot valve

| Item | Part No. | Name | Qty | L | SN INFO |
|------|------------|-----------------------|-----|---|---------|
| 1 | 4812157252 | Valve with accesories | 1 | | |
| 2 | 4812156152 | Solenoid | 2 | | |
| 3 | -- | Valve house | 1 | | |
| 4 | -- | Spool | 1 | | |
| 5 | -- | Spring plate | 2 | | |
| 6 | -- | Pressure spring | 2 | | |
| 7 | -- | Plug | 1 | | |
| 8 | -- | Cap screw | 2 | | |
| 9 | -- | Gasket | 1 | | |
| 10 | -- | Cap screw | 3 | | |
| 11 | -- | Cap screw | 2 | | |
| 12 | 4812157253 | O-ring | 1 | | |

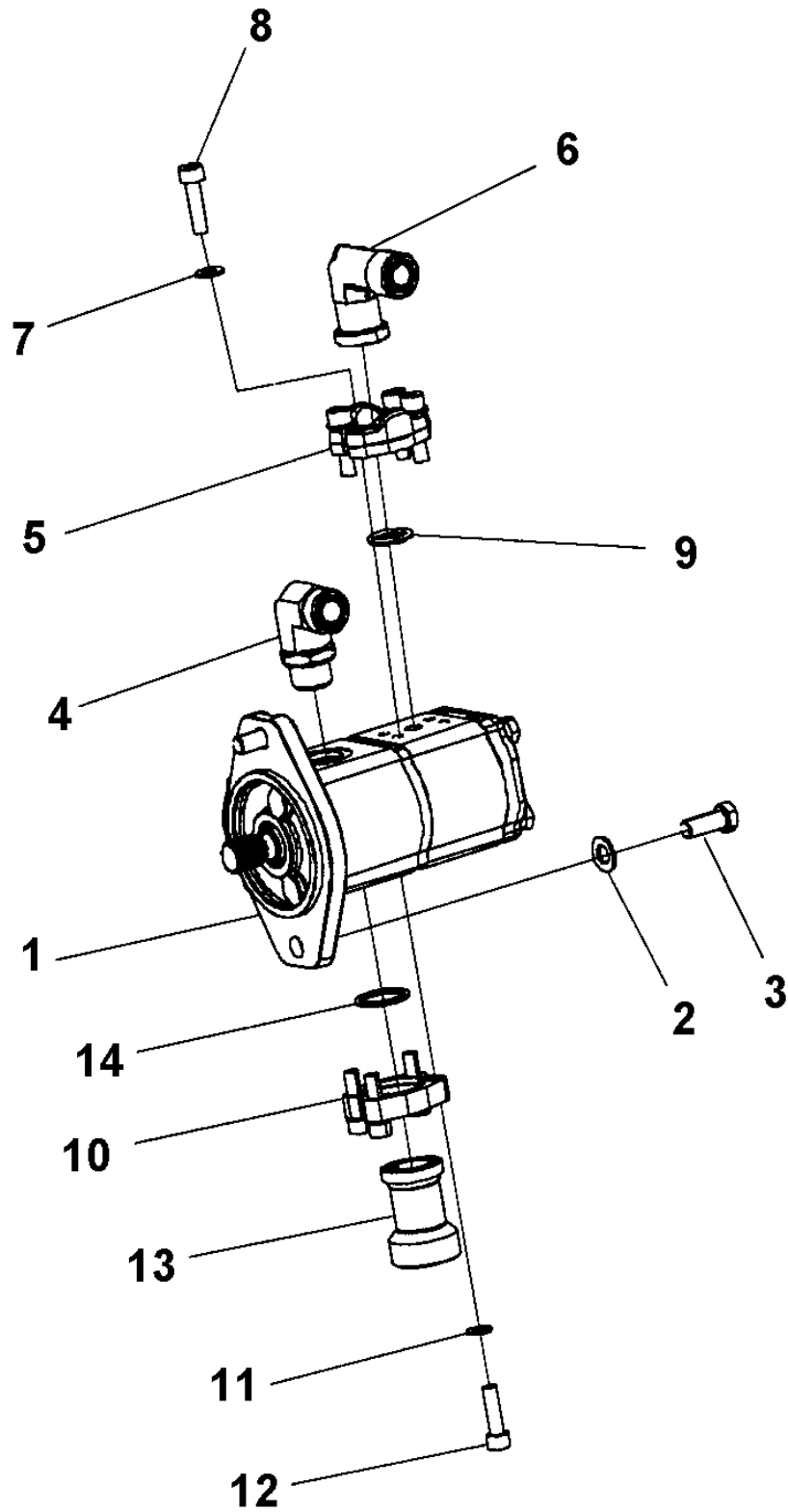
Hydraulic system, engine room Hydraulic oil filter assy



Refer to Parts Online for the most up to date information. The printed information might be outdated.

Fri Dec 11 01:18:14 MST 2015

| Item | Part No. | Name | Qty | L | SN INFO |
|------|------------|------------------------------|-----|---|---------|
| 1 | 4812112260 | Hydraulic oil filter | 1 | | |
| 1 | 4812112262 | Hydraulic oil filter element | 1 | | |
| 1 | 4812160664 | Seal | 1 | | |
| 2 | 4700904230 | Washer 10.5x22x2 mm 300 HV | 4 | | |
| 3 | 4700500048 | Screw, M10x20 mm 8.8 A3K | 4 | | |
| 5 | 4700921161 | Pipe clamp | 1 | | |
| 6 | 4700792339 | Adapter | 2 | | |

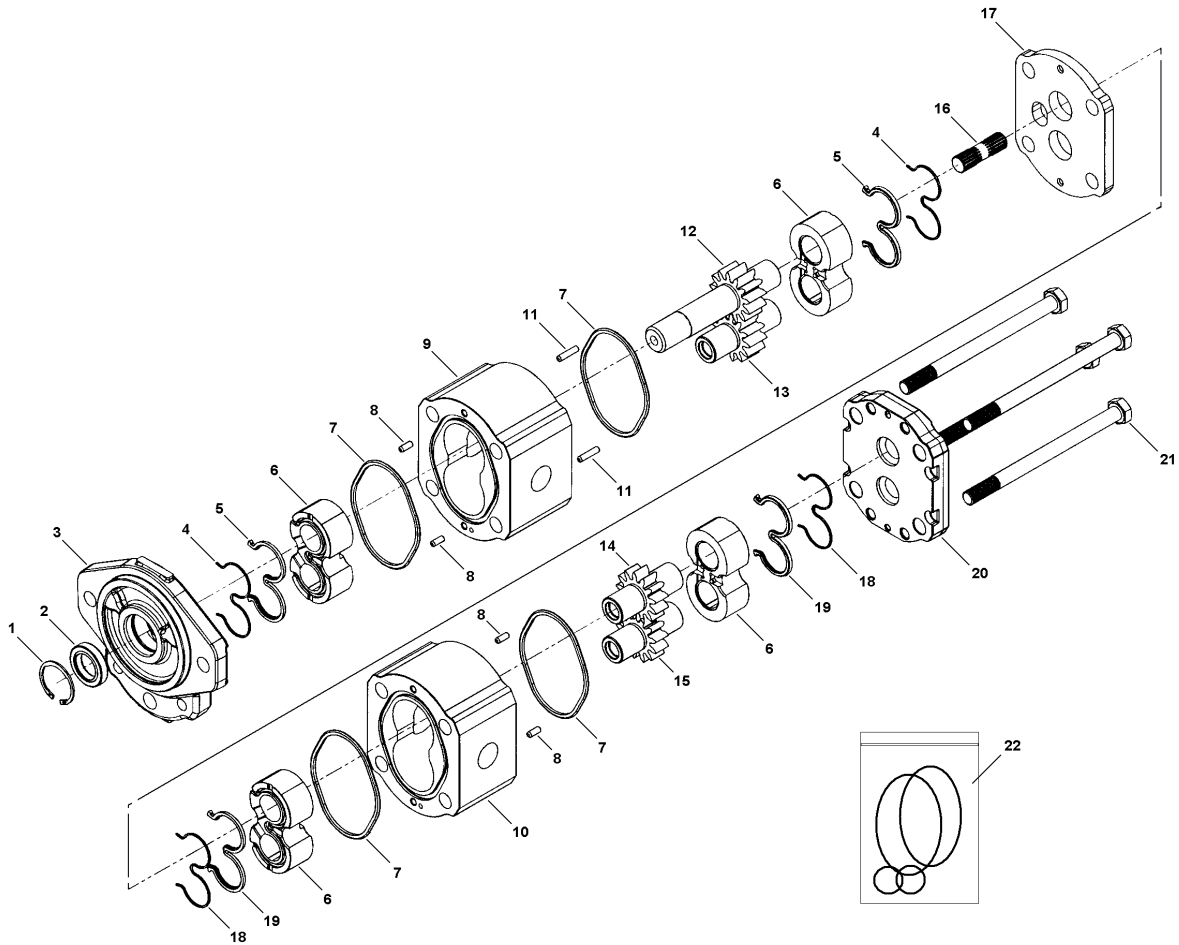
Hydraulic system, engine room Hydraulic pump module

Refer to Parts Online for the most up to date information. The printed information might be outdated.

Fri Dec 11 01:18:14 MST 2015

| Item | Part No. | Name | Qty | L | SN INFO |
|------|------------|---------------------------------------|-----|---|---------|
| 1 | 4812118150 | Hydraulic pump, steering | 1 | | |
| 2 | 4700904231 | Steel plain washer, 13x24x2 mm 300 HV | 2 | | |
| 3 | 4700500046 | Hex. head screw M12x030H | 2 | | |
| 4 | 4700791231 | Adapter | 1 | | |
| 5 | 4700232145 | Split flange | 2 | | |
| 6 | 4812112108 | Flange fitting 90 | 1 | | |
| 7 | 4700904229 | Steel plain washer | 4 | | |
| 8 | 4700508048 | Hexagon socket head cap screw M | 4 | | |
| 9 | 4700904774 | O-ring | 1 | | |
| 10 | 4700232097 | Flange half | 2 | | |
| 11 | 4700904637 | Washer | 4 | | |
| 12 | 4700508053 | Screw | 4 | | |
| 13 | 4812111214 | Flange connector | 1 | | |
| 14 | 4700813429 | O-ring 70 | 1 | | |

Hydraulic system, engine room 4812118150 Hydraulic pump, steering

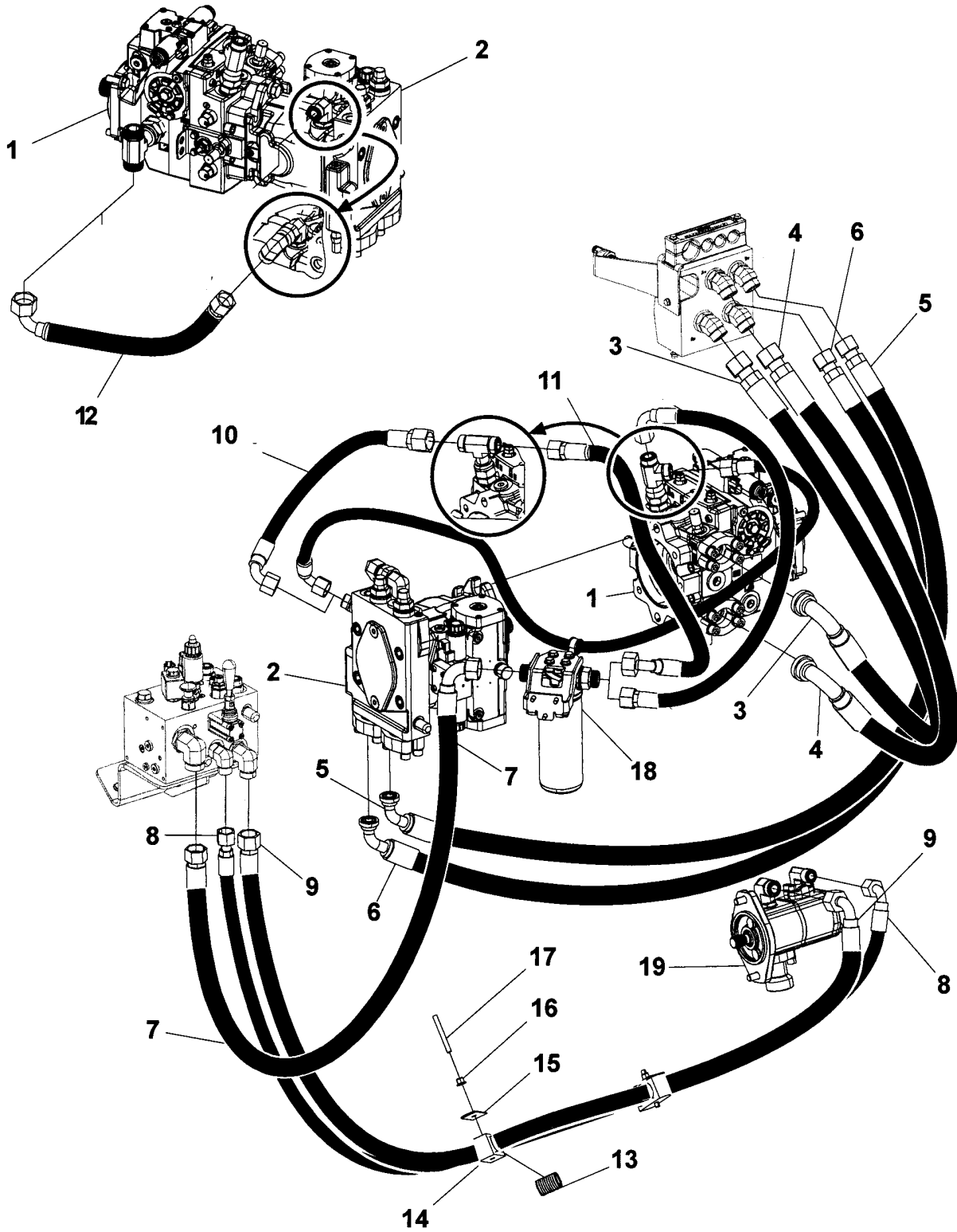


Refer to Parts Online for the most up to date information. The printed information might be outdated.

Fri Dec 11 01:18:15 MST 2015

| Item | Part No. | Name | Qty | L | SN INFO |
|------|------------|--------------------------|-----|---|---------|
| - | 4812118150 | Hydraulic pump, steering | 1 | | |
| 1 | -- | Snap ring | 1 | | |
| 2 | -- | Shaft seal | 1 | | |
| 3 | -- | Mounting flange | 1 | | |
| 4 | -- | Back-up ring | 2 | | |
| 5 | -- | Seal | 2 | | |
| 6 | -- | Bearing block | 4 | | |
| 7 | -- | O-ring | 4 | | |
| 8 | -- | Dowel pin 1 | 4 | | |
| 9 | -- | Gear housing 1 | 1 | | |
| 10 | -- | Gear housing 2 | 1 | | |
| 11 | -- | Dowel pin 2 | 2 | | |
| 12 | -- | Drive gear 1 | 1 | | |
| 13 | -- | Idler gear 1 | 1 | | |
| 14 | -- | Drive gear 2 | 1 | | |
| 15 | -- | Idler gear 2 | 1 | | |
| 16 | -- | Coupling | 1 | | |
| 17 | -- | Distance plate | 1 | | |
| 18 | -- | Back-up ring | 2 | | |
| 19 | -- | Seal | 2 | | |
| 20 | -- | End cover | 1 | | |
| 21 | -- | Screw | 4 | | |
| 22 | 4812158395 | Seal kit, cpl | 1 | | |

Hydraulic system, engine room Adjustable frequency, Eco opti Hydraulic system, engine room Adjustable frequency, Eco opti



Refer to Parts Online for the most up to date information. The printed information might be outdated.

Fri Dec 11 01:18:17 MST 2015

| Item | Part No. | Name | Qty | L | SN INFO |
|------|------------|---------------------------|-----|---|---------|
| 1 | - | Hydraulic pump module | 1 | | |
| 2 | - | Hydraulic pump | 1 | | |
| 3 | 4811000221 | Hydraulic hose | 1 | | |
| 4 | 4811000220 | Hydraulic hose | 1 | | |
| 5 | 4811000223 | Hydraulic hose | 1 | | |
| 6 | 4811000224 | Hydraulic hose | 1 | | |
| 7 | 4811000212 | Hydraulic hose | 1 | | |
| 8 | 4811000218 | Hydraulic hose | 1 | | |
| 9 | 4811000216 | Hydraulic hose | 1 | | |
| 10 | 4812117323 | Hydraulic hose | 1 | | |
| 11 | 4812117322 | Hydraulic hose | 1 | | |
| 12 | 4812114519 | Hydraulic hose | 1 | | |
| 13 | 4812113941 | Hose holder clip | 2 | | |
| 14 | 4700791711 | Pipe clamp | 2 | | |
| 15 | 4700791712 | Cover plate | 2 | | |
| 16 | 4700902286 | Lock nut, M8x1.25 mm A2K | 2 | | |
| 17 | 4700791805 | Stud | 2 | | |
| 18 | - | Hydraulic oil filter assy | 1 | | |
| 19 | - | Hydraulic pump module | 1 | A | |
| 19 | - | Hydraulic pump module | 1 | B | |

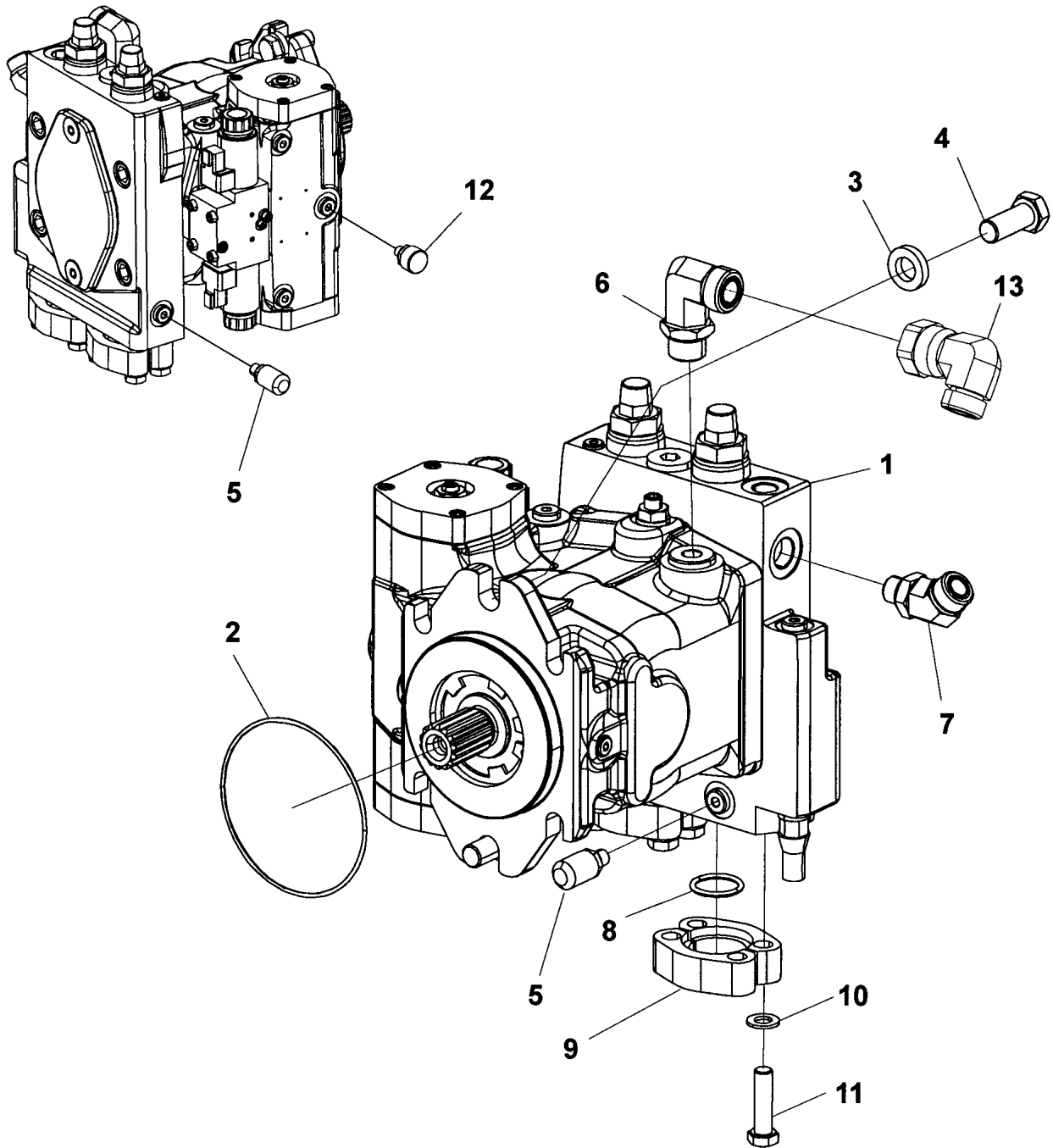
Comments for Page: Hydraulic system, engine room Adjustable frequency, Eco opti

(L)OCAL REMARKS

A | en_US | Eco option

B | en_US | Adjustable frequency option

Hydraulic system, engine room Adjustable frequency, Eco opti Hydraulic pump

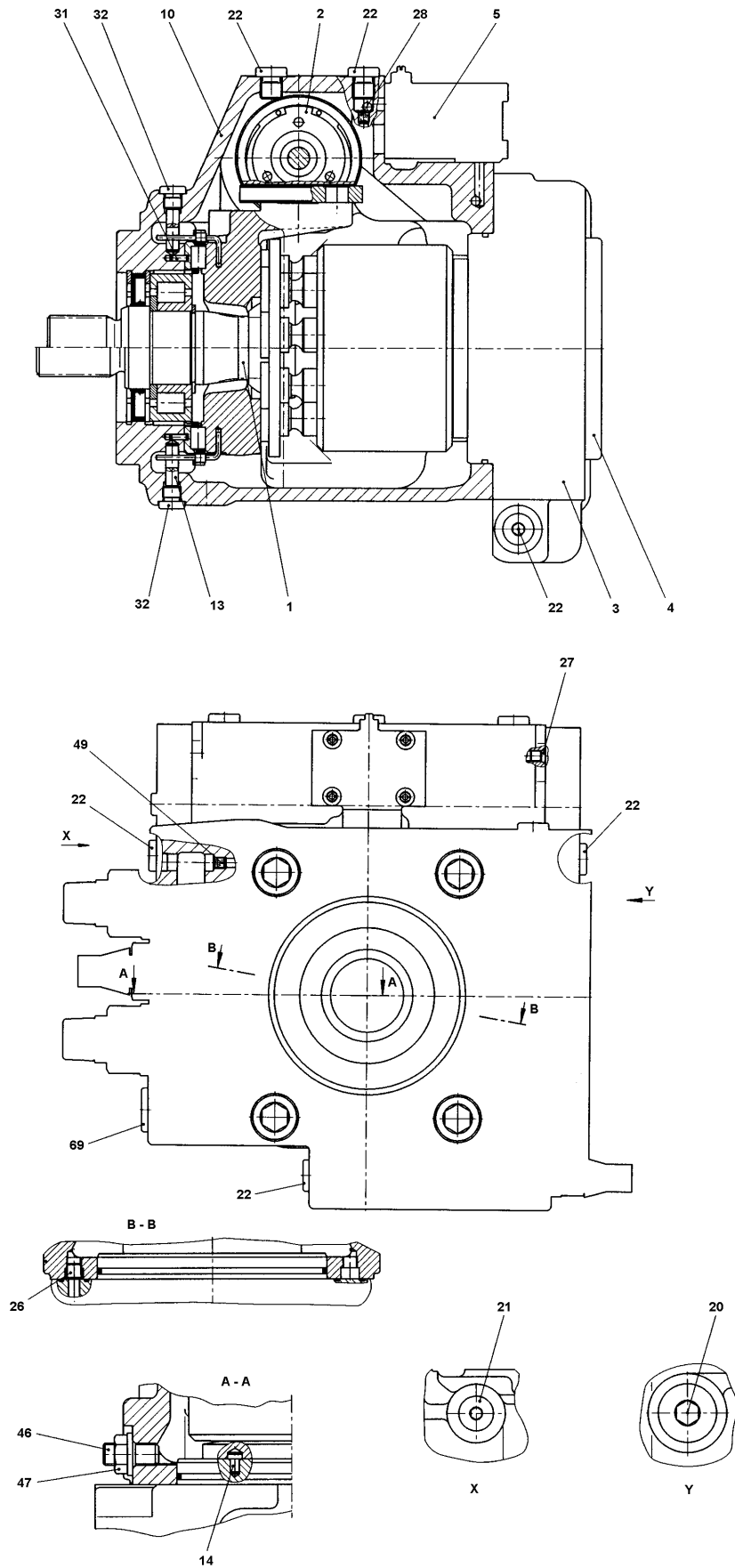


Refer to Parts Online for the most up to date information. The printed information might be outdated.

Fri Dec 11 01:18:18 MST 2015

| Item | Part No. | Name | Qty | L | SN INFO |
|------|------------|----------------------------|-----|---|---------|
| 1 | 4812112181 | Hydraulic pump | 1 | | |
| 2 | 4700160231 | O-ring | 1 | | |
| 3 | 4700904558 | Washer, 17x30x6 mm 300 HV | 2 | | |
| 4 | 4700500093 | Hex. screw | 2 | | |
| 5 | 4700901157 | Measuring nipple | 2 | | |
| 6 | 4700791549 | Elbow adapter 90 | 1 | | |
| 7 | 4700791835 | Elbow connector 45 orfs | 1 | | |
| 8 | 4700904005 | O-ring | 2 | | |
| 9 | 4700923384 | Split flange | 4 | | |
| 10 | 4700904638 | Washer 12x22x2 | 8 | | |
| 11 | 4700928791 | Screw, M12 x 45 mm 8.8 A3K | 8 | | |
| 12 | 4812116781 | Oil filling plug | 1 | | |
| 13 | 4700904584 | Connector elbow 90 ORFS | 1 | | |

4812112181 Hydraulic pump 4812112181 Hydraulic pump

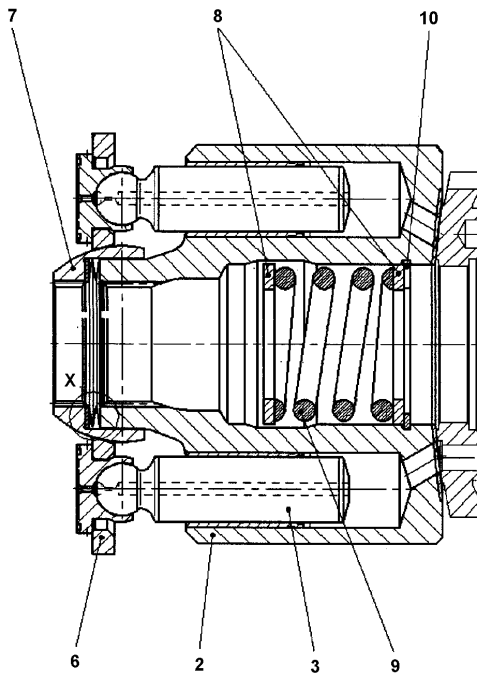
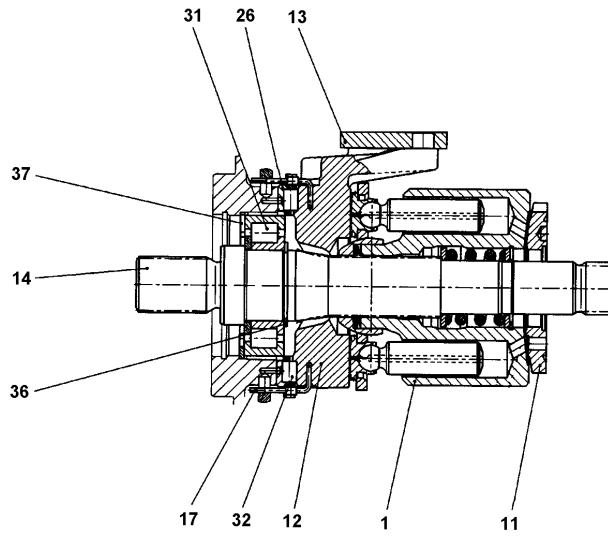


Refer to Parts Online for the most up to date information. The printed information might be outdated.

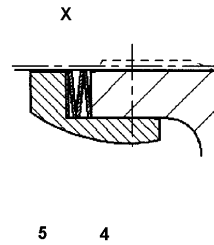
Fri Dec 11 01:18:18 MST 2015

| Item | Part No. | Name | Qty | L | SN INFO |
|------|------------|------------------------|-----|---|---------|
| 1 | - | Rotary group | 1 | | |
| 2 | - | Control hydraulic | 1 | | |
| 3 | - | Sub plate | 1 | | |
| 4 | - | Cover with accessories | 1 | | |
| 5 | - | Control module | 1 | | |
| 10 | - | Housing | 1 | | |
| 13 | - | Joint pin | 2 | | |
| 14 | - | Dowel pin | 1 | | |
| 20 | - | Locking screw | 1 | | |
| 21 | - | Locking screw | 1 | | |
| 22 | - | Locking screw | 4 | | |
| 26 | - | Locking screw | 1 | | |
| 27 | - | Double break-of plug | 1 | | |
| 28 | 4812158198 | Orifice | 2 | | |
| 31 | - | Clamping pin | 2 | | |
| 32 | - | Locking screw | 2 | | |
| 46 | - | Threaded pin | 1 | | |
| 47 | - | Seal lock nut | 1 | | |
| 49 | 4700936313 | Orifice | 1 | | |
| 69 | - | Locking screw | 1 | | |
| 98 | D967536859 | Seal kit | 1 | | |

4812112181 Hydraulic pump Rotary group

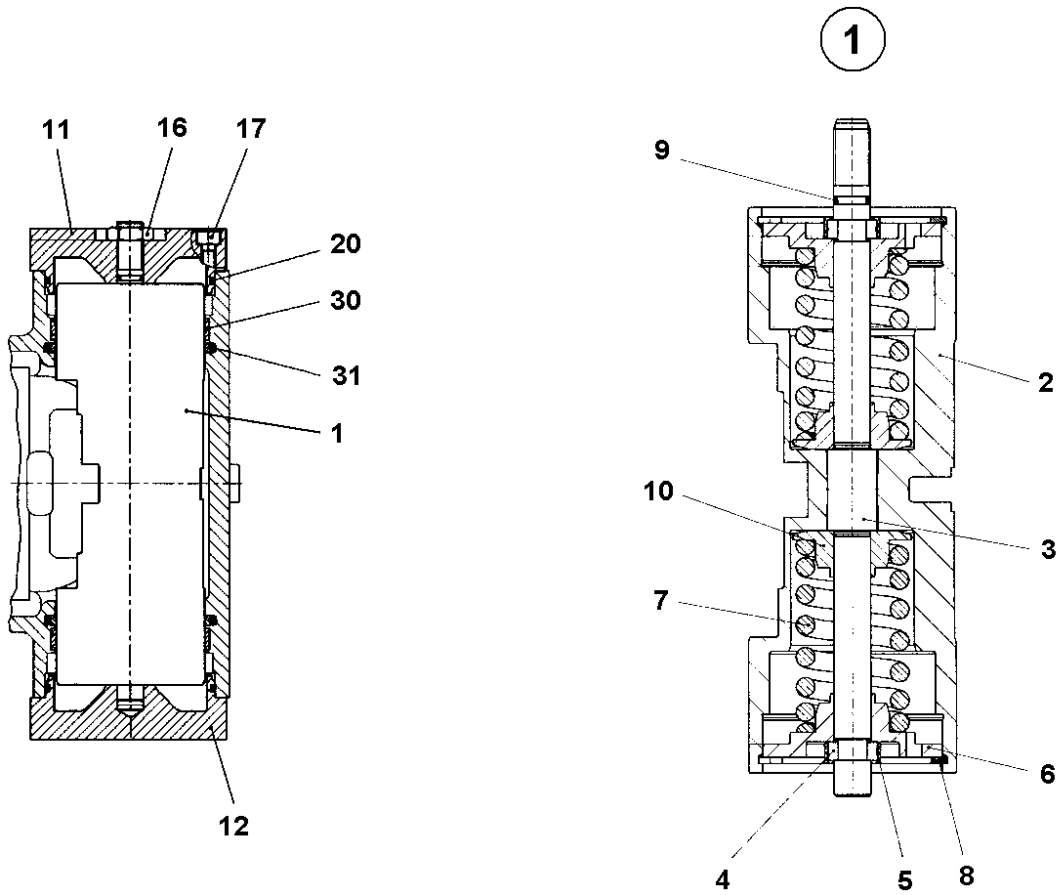


①



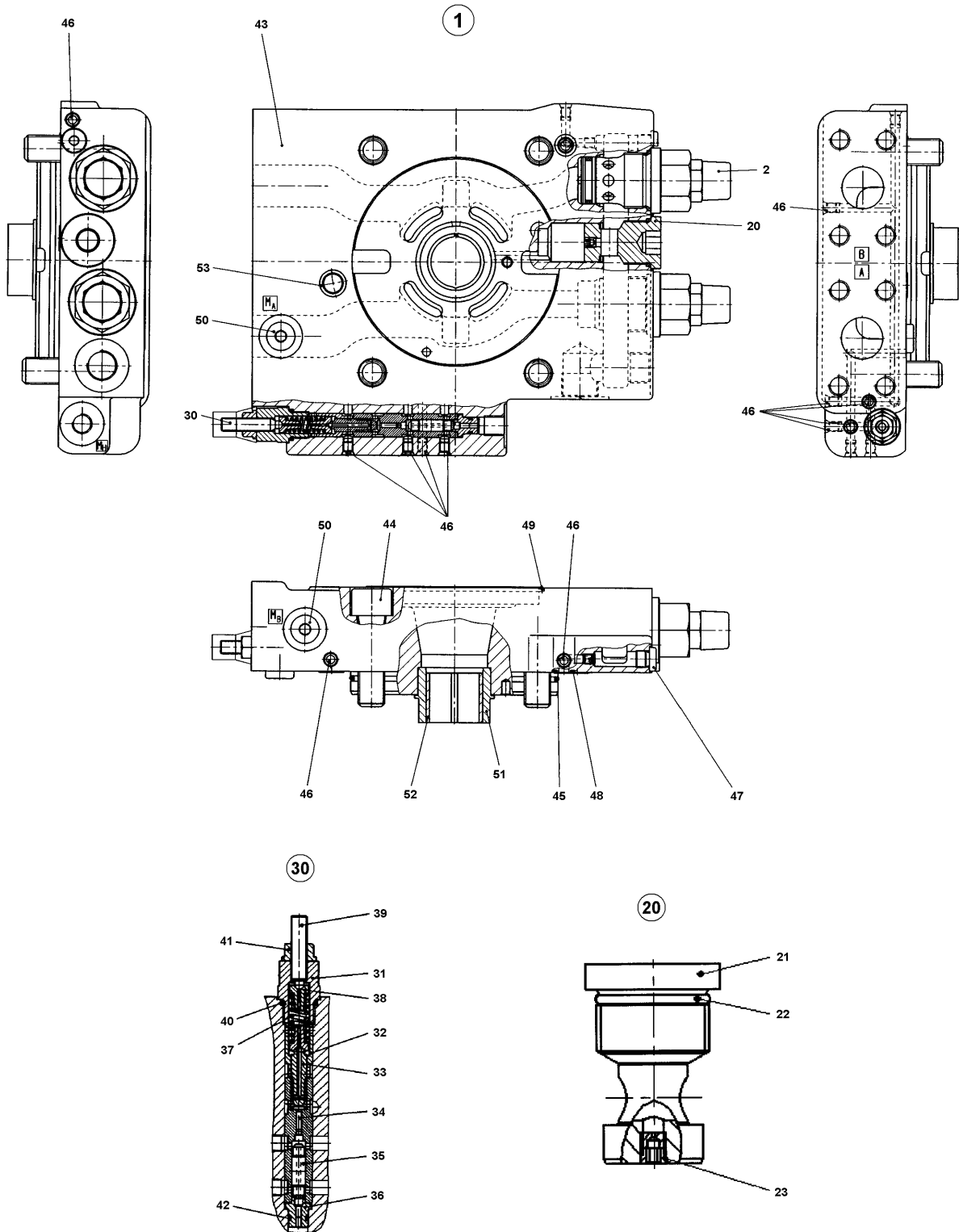
| Item | Part No. | Name | Qty | L | SN INFO |
|------|------------|-------------------------------|-----|---|---------|
| 1 | - | Rotary group, hydraul section | 1 | | |
| 2 | -- | Cylinder with bushing | 1 | | |
| 3 | -- | Piston slipper pad | 9 | | |
| 4 | -- | Cup spring stack | 1 | | |
| 5 | -- | Shim | 1 | | |
| 6 | -- | Retaining plate | 1 | | |
| 7 | -- | Retaining ball | 1 | | |
| 8 | -- | Washer | 2 | | |
| 9 | -- | Pressure spring | 1 | | |
| 10 | -- | Retaining ring | 1 | | |
| 11 | - | Control plate | 1 | | |
| 12 | - | Cradle | 1 | | |
| 13 | - | Slide ring | 1 | | |
| 14 | 4812157094 | Drive shaft | 1 | | |
| 15 | - | Washer | 1 | | |
| 17 | - | Wire | 2 | | |
| 26 | 4812157092 | Bearing liner (Pair) | 1 | | |
| 31 | 4812157093 | Plain roller bearing | 1 | | |
| 32 | - | Cradle bearing assy (Set) | 1 | | |
| 36 | - | Retaining ring | 1 | | |
| 37 | - | Retaining ring | 2 | | |
| 38 | 4812158199 | Shaft seal ring | 1 | | |
| 98 | 4812157091 | Seal kit drive shaft | 1 | | |

4812112181 Hydraulic pump Control hydraulic



| Item | Part No. | Name | Qty | L | SN INFO |
|------|------------|------------------------|-----|---|---------|
| 1 | - | Positioning piston | 1 | | |
| 2 | - | Positioning piston | 1 | | |
| 3 | - | Rod | 1 | | |
| 4 | - | Ring | 2 | | |
| 5 | - | Assembly ring | 2 | | |
| 6 | - | Spring collar | 2 | | |
| 7 | - | Pressure spring | 2 | | |
| 8 | - | Retaining ring | 2 | | |
| 9 | 4812157151 | O-ring | 1 | | |
| 10 | - | Spring collar | 2 | | |
| 11 | - | Cover | 1 | | |
| 12 | - | Cover | 1 | | |
| 16 | - | Hexagon nut | 1 | | |
| 17 | - | Socket head screw | 8 | | |
| 20 | 4812157098 | O-ring | 2 | | |
| 30 | - | Gouide ring | 2 | | |
| 31 | 4812157099 | Rod seal kit | 2 | | |
| 98 | 4812157096 | Seal kit hydr. control | 1 | | |

4812112181 Hydraulic pump Sub plate

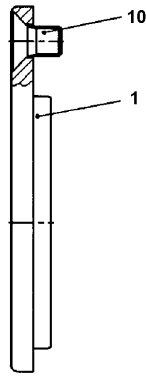


Refer to Parts Online for the most up to date information. The printed information might be outdated.

Fri Dec 11 01:18:20 MST 2015

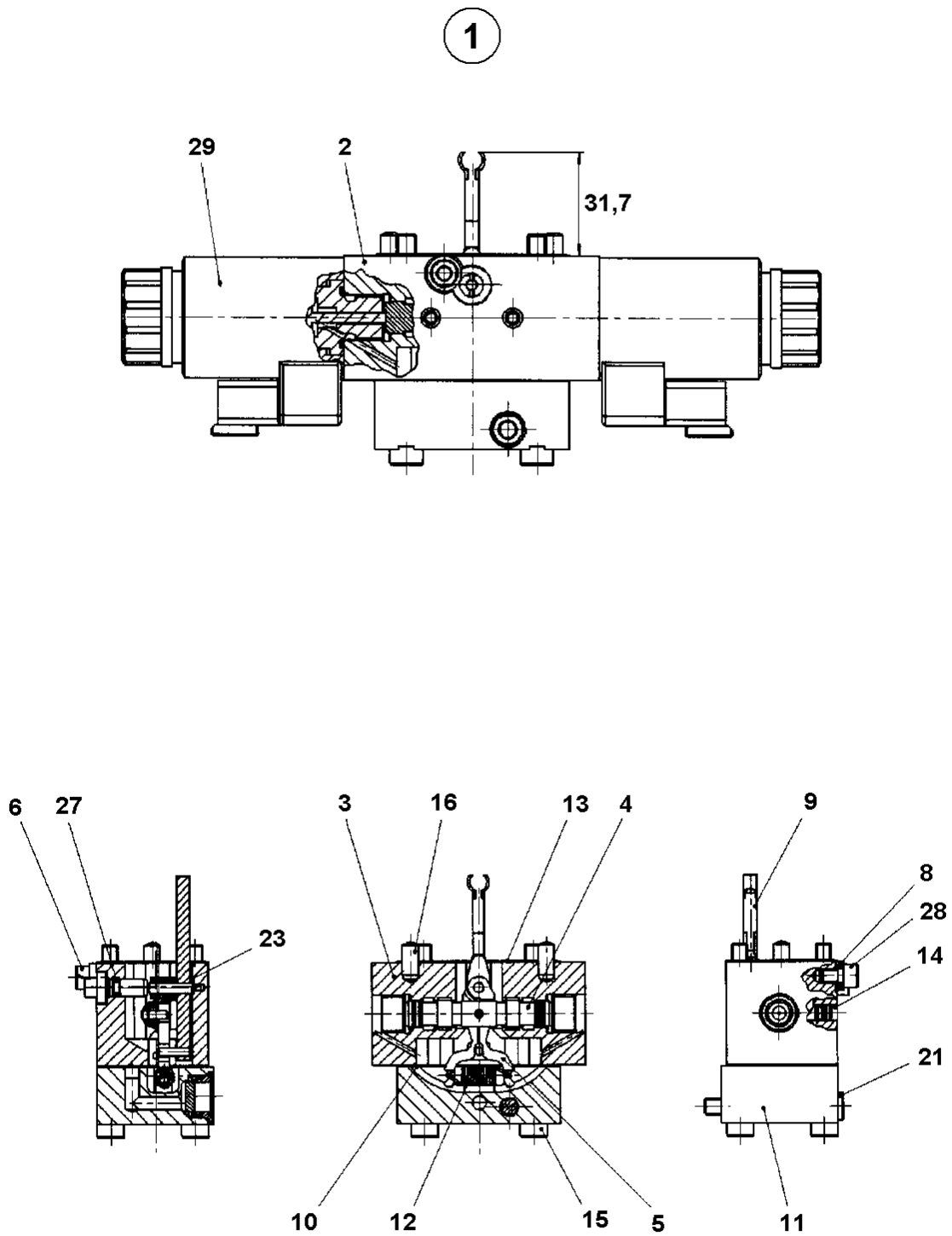
| Item | Part No. | Name | Qty | L | SN INFO |
|------|------------|-------------------------|-----|---|---------|
| 1 | 4812158197 | Subplate | 1 | | |
| 2 | 4700936359 | Relief valve | 2 | | |
| 2 | 4700936374 | Seal kit | 1 | | |
| 20 | D967711040 | catch set | 1 | | |
| 21 | - | Locking screw | 1 | | |
| 22 | 4700927278 | O-ring | 1 | | |
| 23 | - | Orifice | 1 | | |
| 30 | 4812157095 | Pressure override valve | 1 | | |
| 31 | - | Locking screw | 1 | | |
| 32 | - | Valve bushing | 1 | | |
| 33 | - | Control piston | 1 | | |
| 34 | - | Piston | 1 | | |
| 35 | - | Valve piston | 1 | | |
| 36 | - | Poppet seat | 1 | | |
| 37 | - | Pressure spring | 1 | | |
| 38 | - | Spring collar | 2 | | |
| 39 | - | Adjusting screw | 1 | | |
| 40 | 4700902783 | O-ring | 1 | | |
| 41 | - | Seal lock nut | 1 | | |
| 42 | 4812157097 | O-ring | 1 | | |
| 43 | - | Port plate | 1 | | |
| 44 | - | Socket head screw | 4 | | |
| 45 | 4700936367 | O-ring | 1 | | |
| 46 | - | Double break-off plug | 6 | | |
| 47 | - | Locking screw | 1 | | |
| 48 | 4812157151 | O-ring | 1 | | |
| 49 | 4812158251 | O-ring | 1 | | |
| 50 | - | Locking screw | 2 | | |
| 51 | - | Bush | 1 | | |
| 52 | - | Bearing bushing | 1 | | |
| 53 | 4812157975 | O-ring | 2 | | |

4812112181 Hydraulic pump Cover with accessories



| Item | Part No. | Name | Qty | L | SN INFO |
|------|----------|-----------------|-----|---|---------|
| 1 | - | Cover | 1 | | |
| 10 | - | Flat head screw | 2 | | |

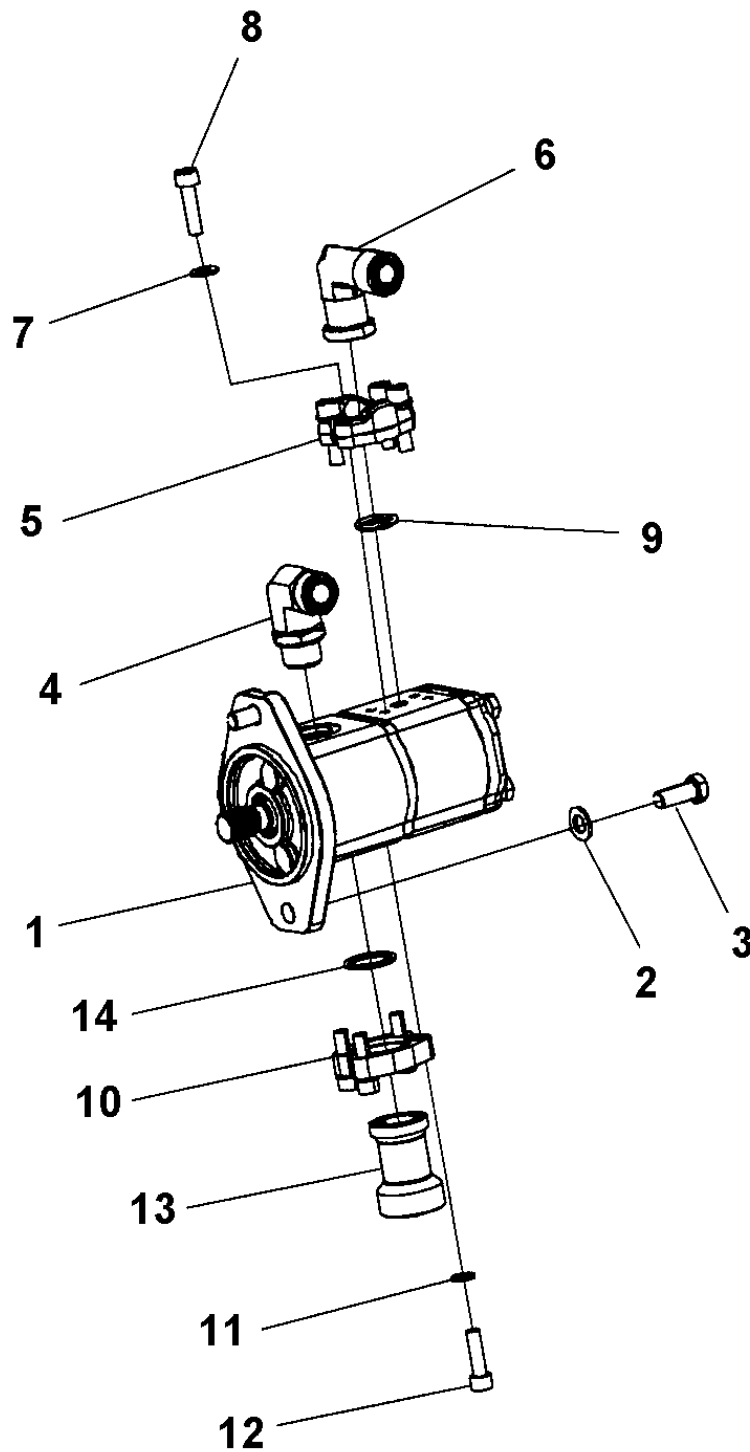
4812112181 Hydraulic pump Control module



Refer to Parts Online for the most up to date information. The printed information might be outdated.

Fri Dec 11 01:18:21 MST 2015

| Item | Part No. | Name | Qty | L | SN INFO |
|------|------------|-----------------------------------|-----|---|---------|
| 1 | 4812157152 | Control module | 1 | | |
| 2 | - | Control module | 1 | | |
| 3 | - | Housing | 1 | | |
| 4 | - | Control piston with cylinder pin | 1 | | |
| 5 | - | Lever pair | 1 | | |
| 6 | - | Eccentric pin | 1 | | |
| 8 | - | Shim | 1 | | |
| 9 | - | Feedback lever with needle roller | 1 | | |
| 10 | 4812157155 | Gasket | 1 | | |
| 11 | - | Cover with filter | 1 | | |
| 12 | - | Draw spring | 1 | | |
| 13 | 4812156599 | Gasket | 1 | | |
| 14 | - | Seal plug | 2 | | |
| 15 | - | Socket head screw | 4 | | |
| 16 | - | Cylinder pin | 2 | | |
| 21 | - | Socket head screw | 1 | | |
| 23 | - | Shim | 1 | | |
| 27 | 4812157156 | O-ring | 1 | | |
| 28 | - | Socket head screw | 1 | | |
| 29 | 4812156151 | Proportional solenoid | 2 | | |
| 98 | D967536871 | Seal kit | 1 | | |

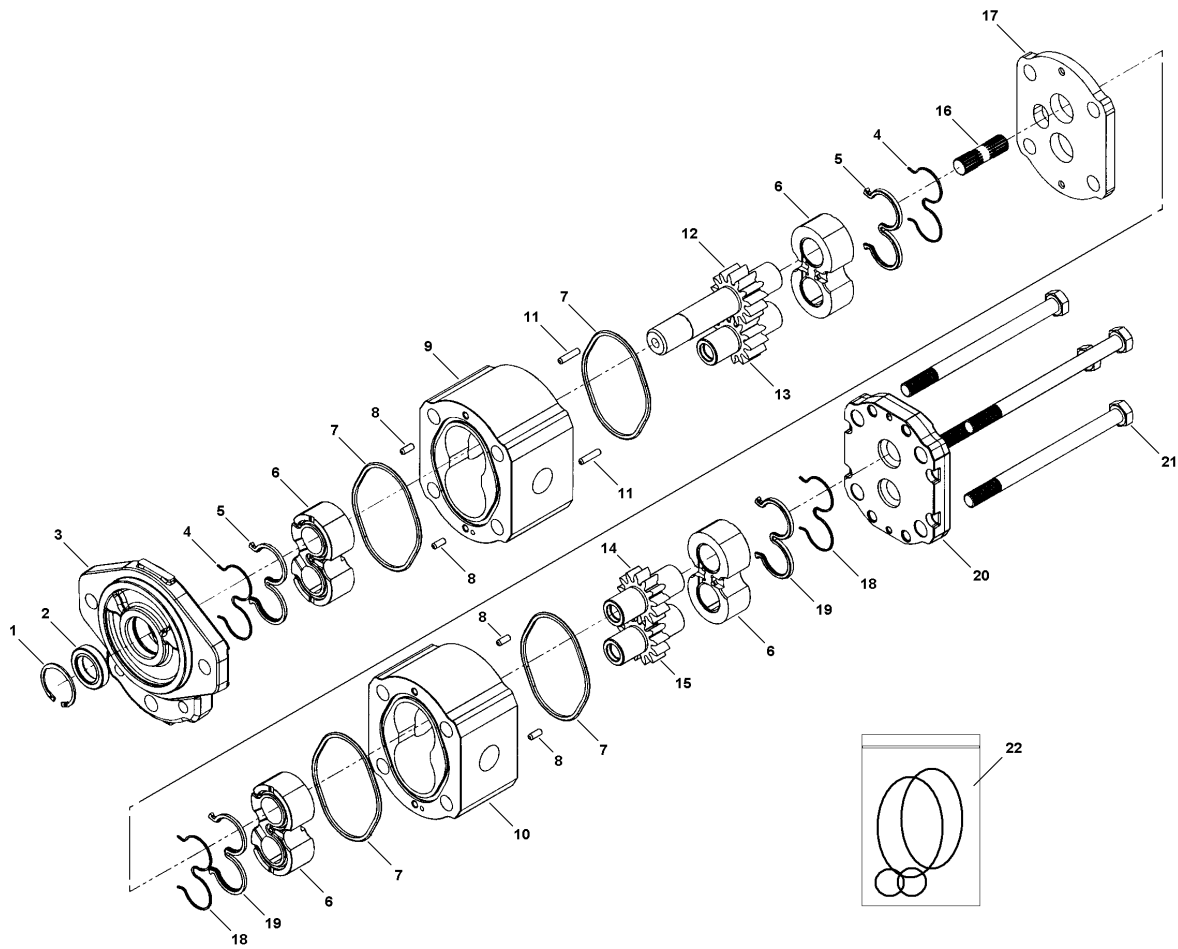
Hydraulic system, engine room Adjustable frequency, Eco opti Hydraulic pump module

Refer to Parts Online for the most up to date information. The printed information might be outdated.

Fri Dec 11 01:18:21 MST 2015

| Item | Part No. | Name | Qty | L | SN INFO |
|------|------------|---------------------------------------|-----|---|---------|
| 1 | 4812118151 | Hydraulic pump | 1 | | |
| 2 | 4700904231 | Steel plain washer, 13x24x2 mm 300 HV | 2 | | |
| 3 | 4700500046 | Hex. head screw M12x030H | 2 | | |
| 4 | 4700791231 | Adapter | 1 | | |
| 5 | 4700232145 | Split flange | 2 | | |
| 6 | 4812112108 | Flange fitting 90 | 1 | | |
| 7 | 4700904229 | Steel plain washer | 4 | | |
| 8 | 4700508048 | Hexagon socket head cap screw M | 4 | | |
| 9 | 4700904774 | O-ring | 1 | | |
| 10 | 4700232098 | Flange half | 2 | | |
| 11 | 4700904637 | Washer | 4 | | |
| 12 | 4700508053 | Screw | 4 | | |
| 13 | 4812114815 | Flange connector | 1 | | |
| 14 | 4700160186 | O-ring | 1 | | |

Hydraulic system, engine room Adjustable frequency, Eco opti 4812118151 Hydraulic pump

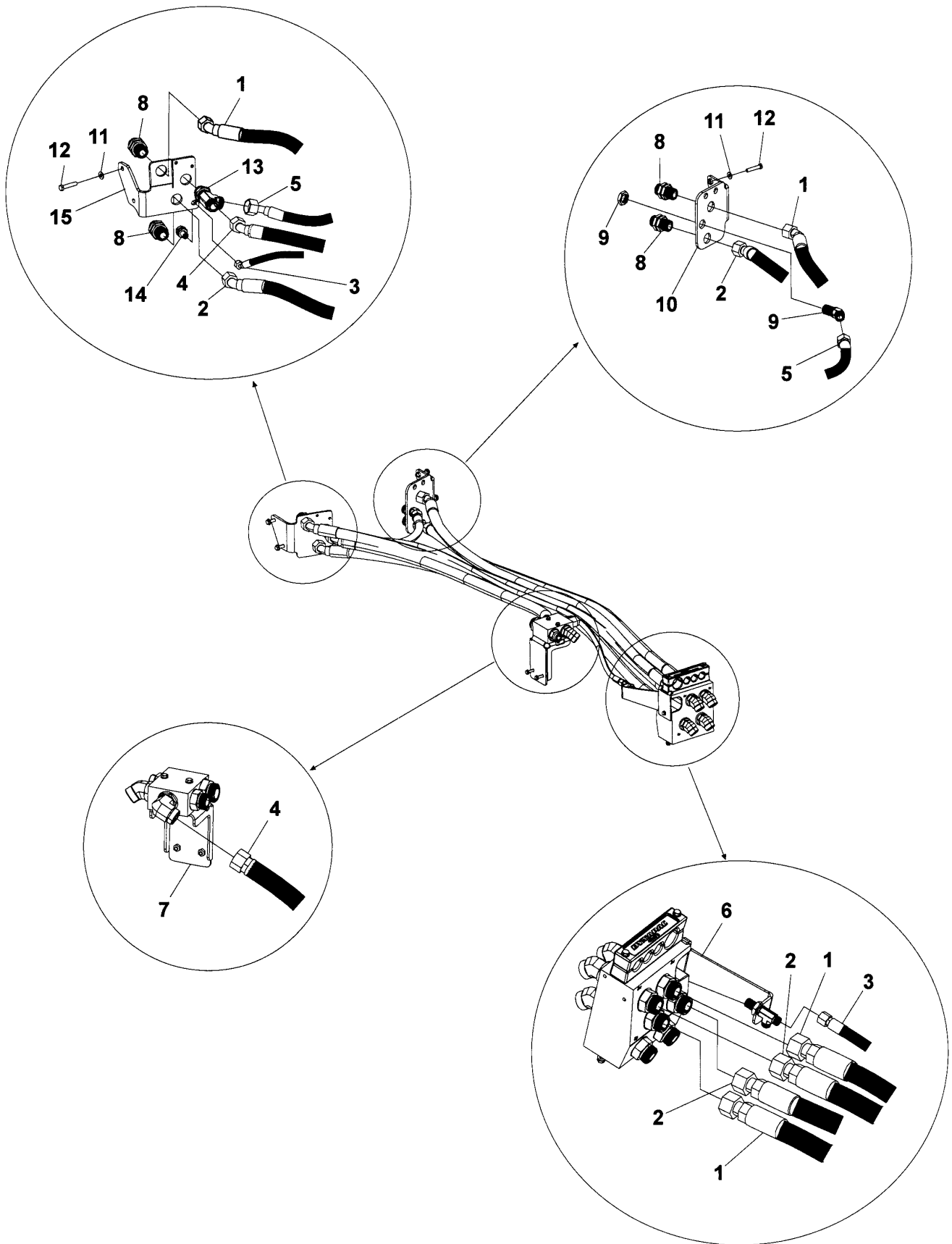


Refer to Parts Online for the most up to date information. The printed information might be outdated.

Fri Dec 11 01:18:22 MST 2015

| Item | Part No. | Name | Qty | L | SN INFO |
|------|------------|-----------------|-----|---|---------|
| - | 4812118151 | Hydraulic pump | 1 | | |
| 1 | -- | Snap ring | 1 | | |
| 2 | -- | Shaft seal | 1 | | |
| 3 | -- | Mounting flange | 1 | | |
| 4 | -- | Back-up ring | 2 | | |
| 5 | -- | Seal | 2 | | |
| 6 | -- | Bearing block | 4 | | |
| 7 | -- | O-ring | 4 | | |
| 8 | -- | Dowel pin 1 | 4 | | |
| 9 | -- | Gear housing 1 | 1 | | |
| 10 | -- | Gear housing 2 | 1 | | |
| 11 | -- | Dowel pin 2 | 2 | | |
| 12 | -- | Drive gear 1 | 1 | | |
| 13 | -- | Idler gear 1 | 1 | | |
| 14 | -- | Drive gear 2 | 1 | | |
| 15 | -- | Idler gear 2 | 1 | | |
| 16 | -- | Coupling | 1 | | |
| 17 | -- | Distance plate | 1 | | |
| 18 | -- | Back-up ring | 2 | | |
| 19 | -- | Seal | 2 | | |
| 20 | -- | End cover | 1 | | |
| 21 | -- | Screw | 4 | | |
| 22 | 4812158395 | Seal kit, cpl | 1 | | |

Hydraulic system, frame rear Hydraulic system, frame rear

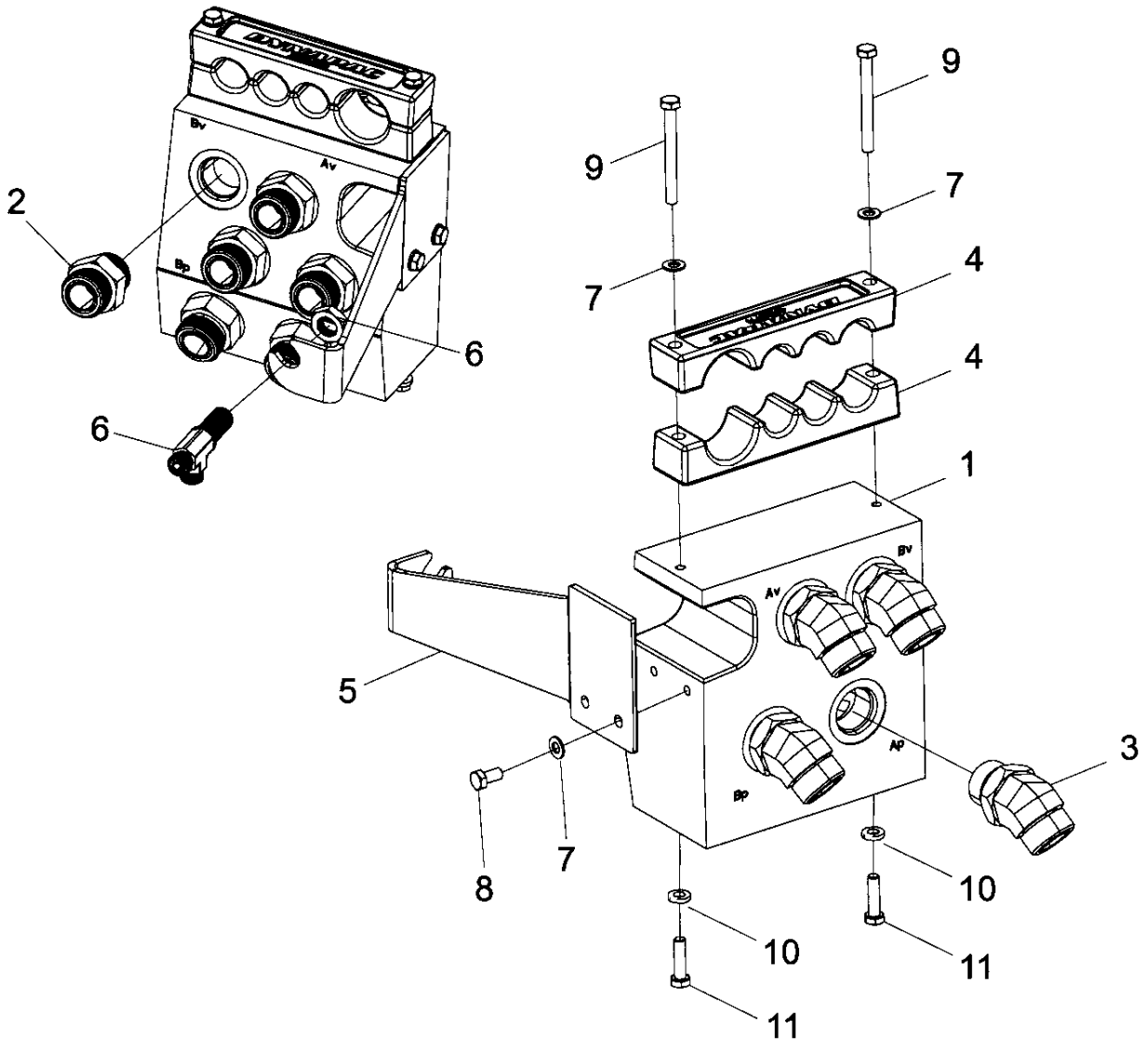


Refer to Parts Online for the most up to date information. The printed information might be outdated.

Fri Dec 11 01:18:23 MST 2015

| Item | Part No. | Name | Qty | L | SN INFO |
|------|------------|----------------------------|-----|---|---------|
| 1 | 4811000203 | Hydraulic hose | 2 | | |
| 2 | 4811000204 | Hydraulic hose | 2 | | |
| 3 | 4811000205 | Hydraulic hose | 1 | | |
| 4 | 4811000201 | Hydraulic hose | 1 | | |
| 5 | 4811000200 | Hydraulic hose | 1 | | |
| 6 | - | Connector kit | 1 | | |
| 7 | - | Connector kit | 1 | | |
| 8 | 4812112559 | Bulkhead union | 1 | | |
| 9 | 4811000261 | Bulkhead elbow 45 | 1 | | |
| 10 | 4812112341 | Bracket | 1 | | |
| 11 | 4700904230 | Washer 10.5x22x2 mm 300 HV | 4 | | |
| 12 | 4700500161 | Screw | 4 | | |
| 13 | 4811000263 | Bulkhead union | 1 | | |
| 14 | 4700791830 | Adapter | 1 | | |
| 15 | 4812115832 | Bracket | 1 | | |

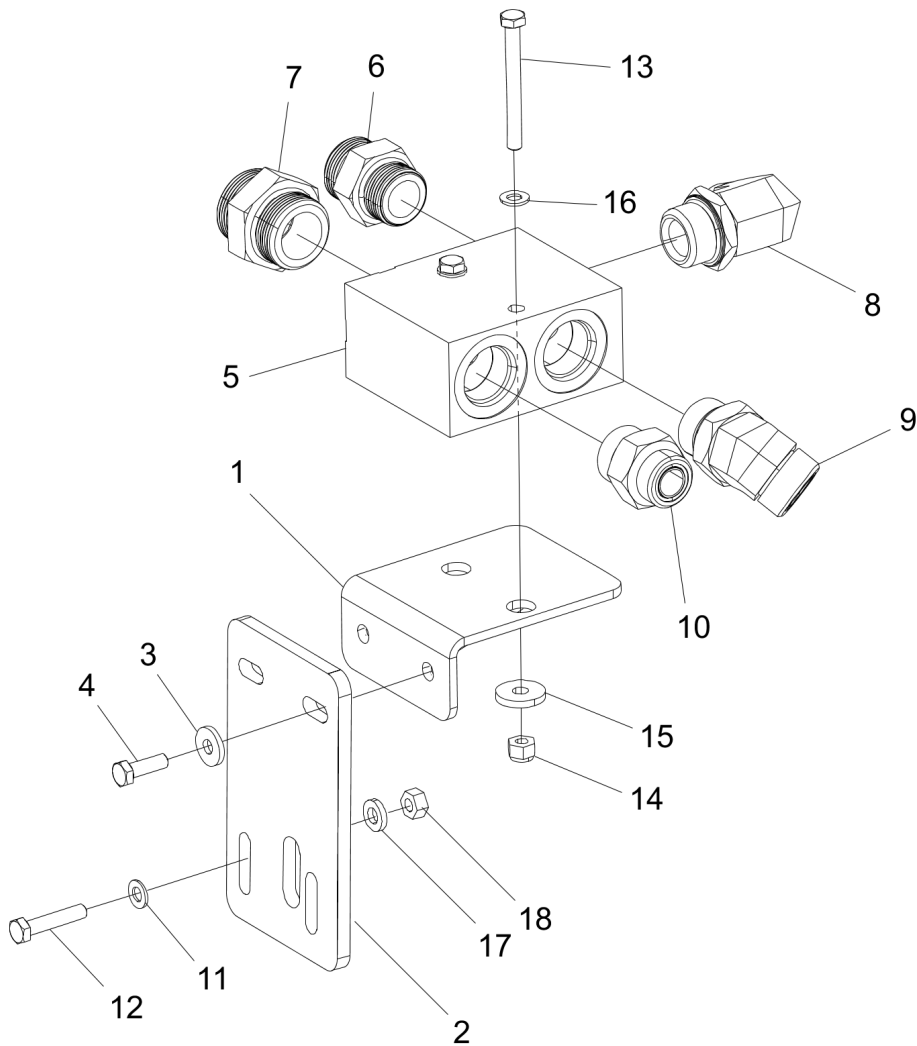
Hydraulic system, frame rear Connector kit



Refer to Parts Online for the most up to date information. The printed information might be outdated.

Fri Dec 11 01:18:23 MST 2015

| Item | Part No. | Name | Qty | L | SN INFO |
|------|------------|--------------------|-----|---|---------|
| 1 | 4812111768 | Hydraulic block | 1 | | |
| 2 | 4700792339 | Adapter | 6 | | |
| 3 | 4700791212 | Adapter | 4 | | |
| 4 | 4812111771 | Hose holder | 2 | | |
| 5 | 4812111770 | Holder | 1 | | |
| 6 | 4812114492 | Bulkhead union | 1 | | |
| 7 | 4700904229 | Steel plain washer | 4 | | |
| 8 | 4700500019 | Hex. screw | 2 | | |
| 9 | 4700500090 | Screw | 2 | | |
| 10 | 4700904556 | Steel plain washer | 2 | | |
| 11 | 4700500022 | Screw | 2 | | |

Hydraulic system, frame rear Connector kit

| Item | Part No. | Name | Qty | L | SN INFO |
|------|------------|---------------------------|-----|---|---------|
| 1 | 4812115463 | Holder | 1 | | |
| 2 | 4812121550 | Holder | 1 | | |
| 3 | 4700904640 | Washer, 8.4x22x3 mm 300HV | 2 | | |
| 4 | 4700500021 | Hex. screw | 2 | | |
| 5 | 4812111769 | Hydraulic block | 1 | | |
| 6 | 4700792339 | Adapter | 1 | | |
| 7 | 4812112555 | Adapter | 1 | | |
| 8 | 4700792299 | Adapter | 1 | | |
| 9 | 4700791212 | Adapter | 1 | | |
| 10 | 4700791318 | Adapter | 1 | | |
| 11 | 4700904229 | Steel plain washer | 2 | | |
| 12 | 4700500025 | Screw, M8 x 50 mm 8.8 A2K | 2 | | |
| 13 | 4700500249 | Screw | 2 | | |
| 14 | 4700586003 | Nut, M8 | 2 | | |
| 15 | 4700904734 | Washer, 8,4x26x4 300 HV | 2 | | |
| 16 | 4700604005 | Spring washer | 1 | | |
| 17 | 4700904556 | Steel plain washer | 2 | | |
| 18 | 4700570005 | Hexagon nut | 2 | | |

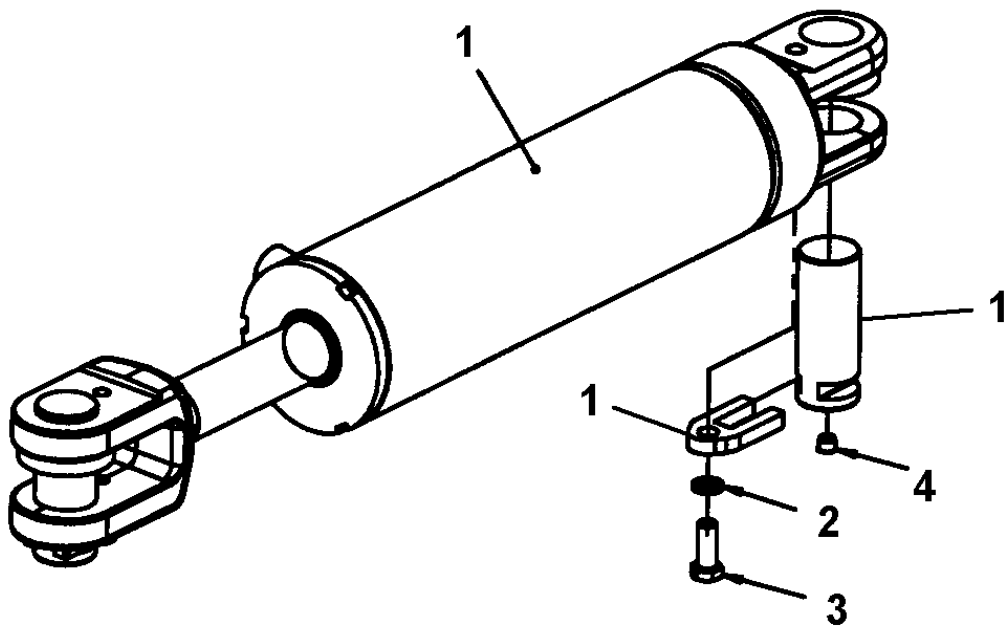
| Item | Part No. | Name | Qty | L | SN INFO |
|------|------------|--------------------------|-----|---|---------|
| 1 | - | Hydraulic cylinder | 2 | | |
| 2 | 4811000207 | Hydraulic hose | 2 | | |
| 3 | 4700792586 | T-connector ORFS | 2 | | |
| 4 | 4811000206 | Hydraulic hose | 2 | | |
| 5 | 4700904623 | Hose guard | 1XL | A | |
| 6 | 4700791799 | Straight connector orfs | 2 | | |
| 7 | 4700903456 | Pipe clamp | 2 | | |
| 8 | 4700904872 | Cover plate | 2 | | |
| 9 | 4700792500 | Stud | 1 | | |
| 10 | 4700902286 | Lock nut, M8x1.25 mm A2K | 2 | | |
| 11 | 4700791807 | Stud | 1 | | |
| 12 | 4700287295 | Clamp | 1 | | |
| 13 | 4812113983 | Bracket | 1 | | |
| 15 | 4700904229 | Steel plain washer | 2 | | |
| 16 | 4700500053 | Screw, M8x20 mm 8.8 A2K | 2 | | |
| 34 | - | Steering valve module | 1 | | |

Comments for Page: Hydraulic system, steering

(L)OCAL REMARKS

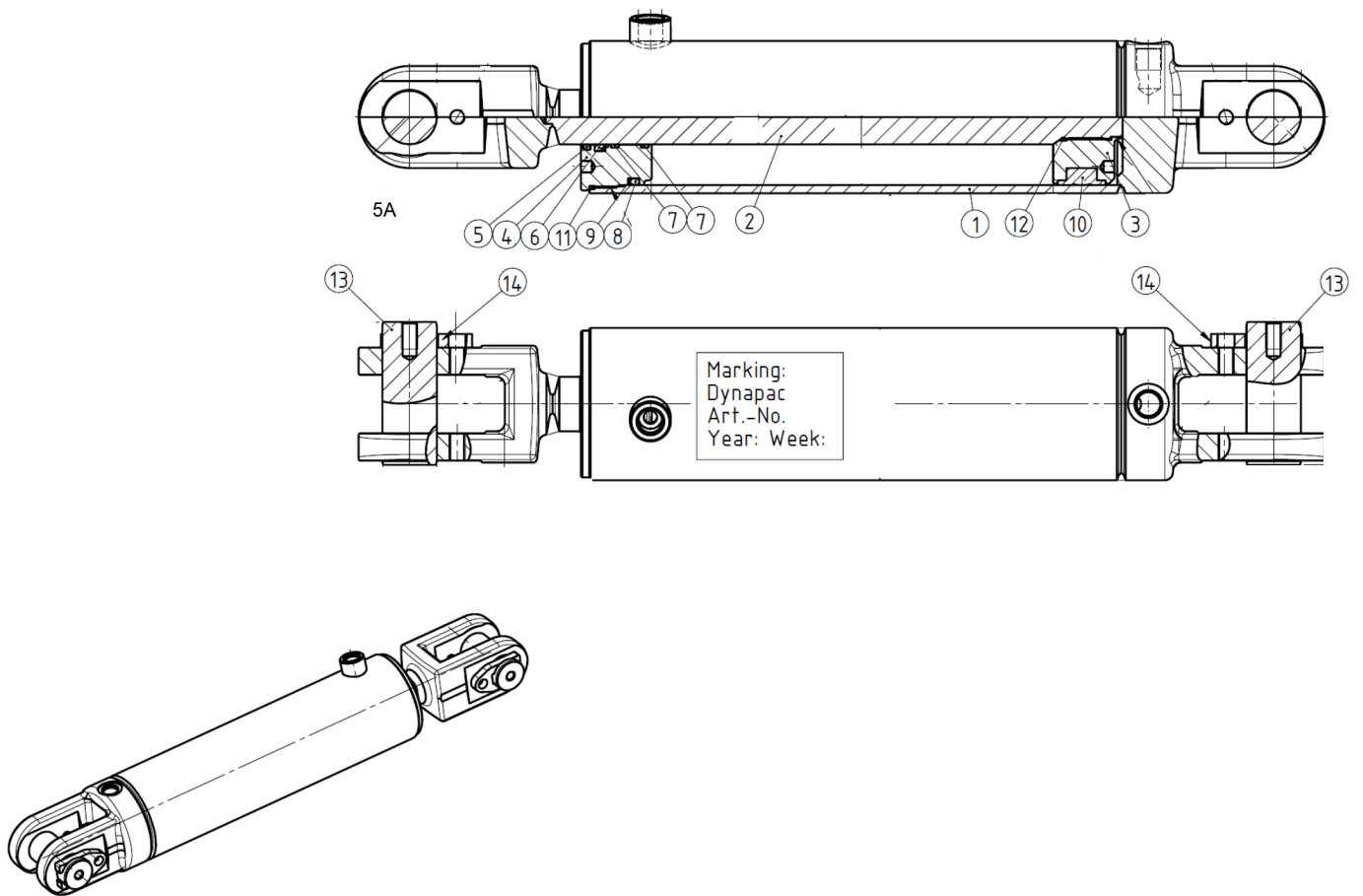
A | en_US | L=0.4m

Hydraulic system, steering Hydraulic cylinder



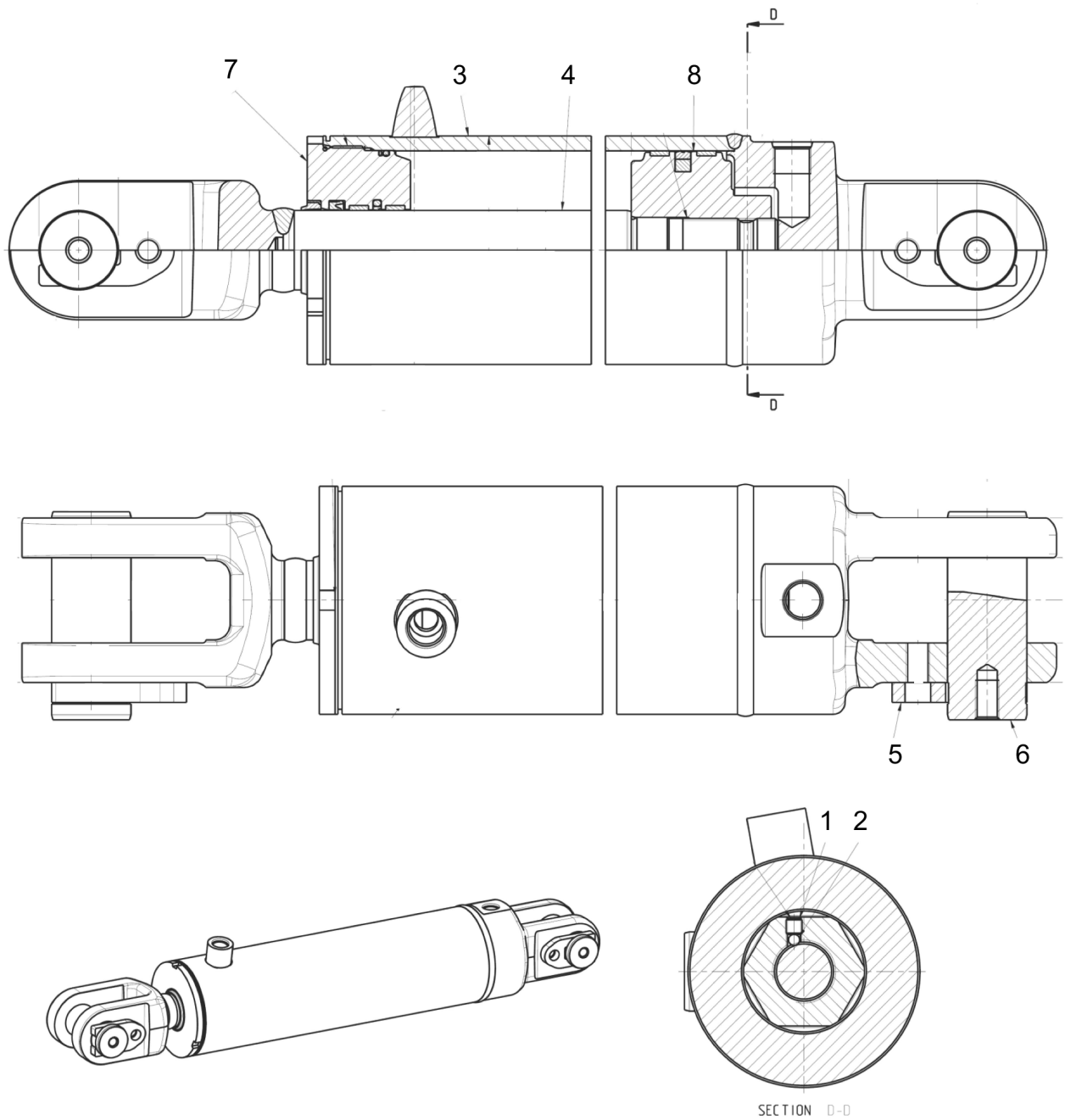
| Item | Part No. | Name | Qty | L | SN INFO |
|------|------------|--------------------------|-----|---|---------|
| 1 | 4812120830 | Hydraulic cylinder | 1 | | |
| 1 | 4812121947 | Hydraulic cylinder | 1 | | |
| 2 | 4700900994 | Lock washer | 2 | | |
| 3 | 4700500046 | Hex. head screw M12x030H | 2 | | |
| 4 | 4700792083 | Plug | 2 | | |

Hydraulic system, steering 4812121947 Hydraulic cylinder



| Item | Part No. | Name | Qty | L | SN INFO |
|------|------------|--------------------|-----|---|---------|
| 0 | 4812121947 | Hydraulic cylinder | 1 | | |
| 1 | -- | Cylinder pipe | 1 | | |
| 2 | -- | Piston rod | 1 | | |
| 3 | -- | Piston | 1 | | |
| 4 | -- | Guide block | 1 | | |
| 5A | 4700950417 | Seal kit | 1 | | |
| 5 | --- | Wiper | 1 | | |
| 6 | --- | Rod seal | 1 | | |
| 7 | --- | Guide ring | 2 | | |
| 8 | --- | O-ring | 1 | | |
| 9 | --- | Backup ring | 1 | | |
| 10 | --- | Piston seal | 1 | | |
| 11 | --- | O-ring | 1 | | |
| 12 | --- | O-ring | 1 | | |
| 13 | -- | Pin | 2 | | |
| 14 | -- | Washer | 2 | | |

Hydraulic system, steering 4812120830 Hydraulic cylinder

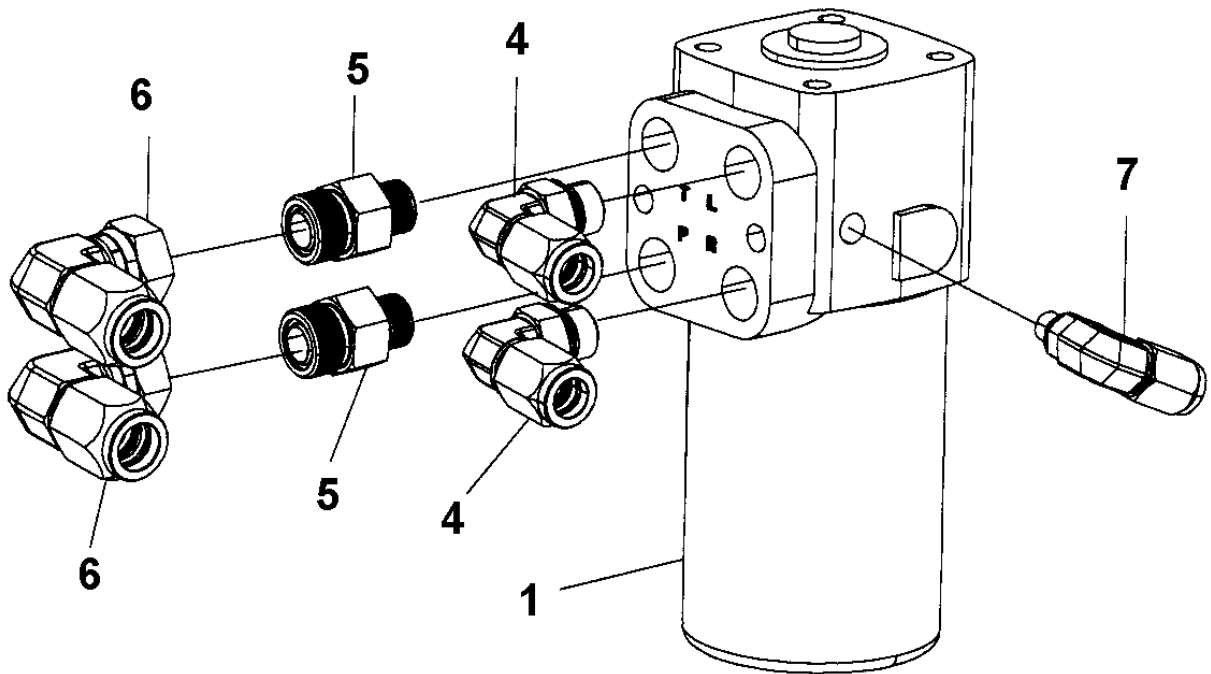


Refer to Parts Online for the most up to date information. The printed information might be outdated.

Fri Dec 11 01:18:27 MST 2015

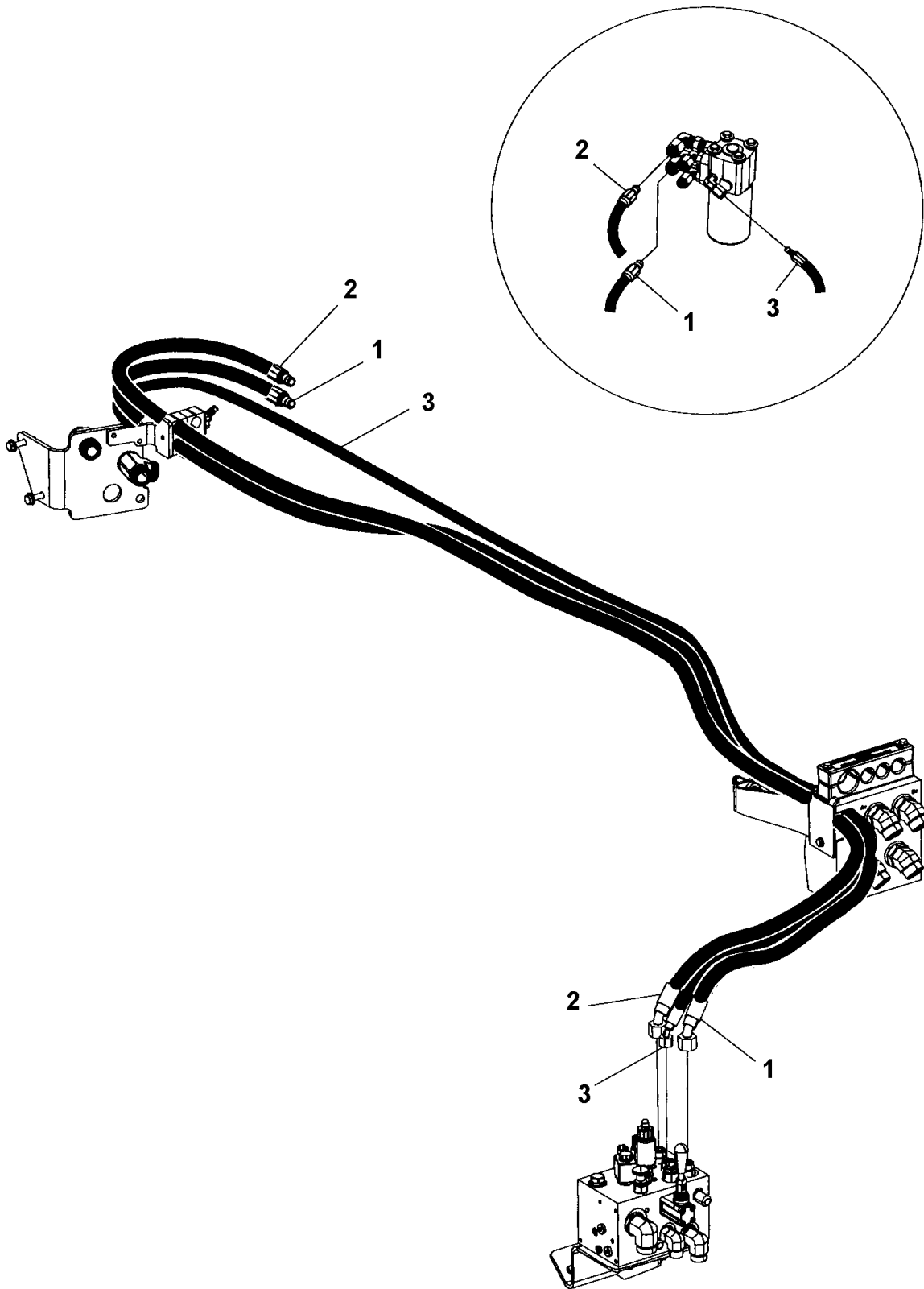
| Item | Part No. | Name | Qty | L | SN INFO |
|------|------------|--------------------|-----|---|---------|
| 0 | 4812120830 | Hydraulic cylinder | 1 | | |
| 1 | - | Screw | 1 | | |
| 2 | 4812157758 | Ball | 1 | | |
| 3 | - | Cylinder tube | 1 | | |
| 4 | - | Rod seal | 1 | | |
| 5 | 4812157759 | Locking fork | 2 | | |
| 6 | 4812157760 | Locking pin | 2 | | |
| 7 | - | Cylinder head | 1 | | |
| 8 | - | Piston | 1 | | |

Hydraulic system, steering Steering valve module



| Item | Part No. | Name | Qty | L | SN INFO |
|------|------------|-------------------------|-----|---|---------|
| 1 | 4812112290 | Steering valve | 1 | | |
| 4 | 4812115063 | Elbow connector 90° | 2 | | |
| 5 | 4811000074 | Straight connector orfs | 2 | | |
| 6 | 4812115064 | Elbow connector 90° | 2 | | |
| 7 | 4812115065 | Elbow connector 90° | 1 | | |

Hydraulic system, steering Hydraulic hoses, steering

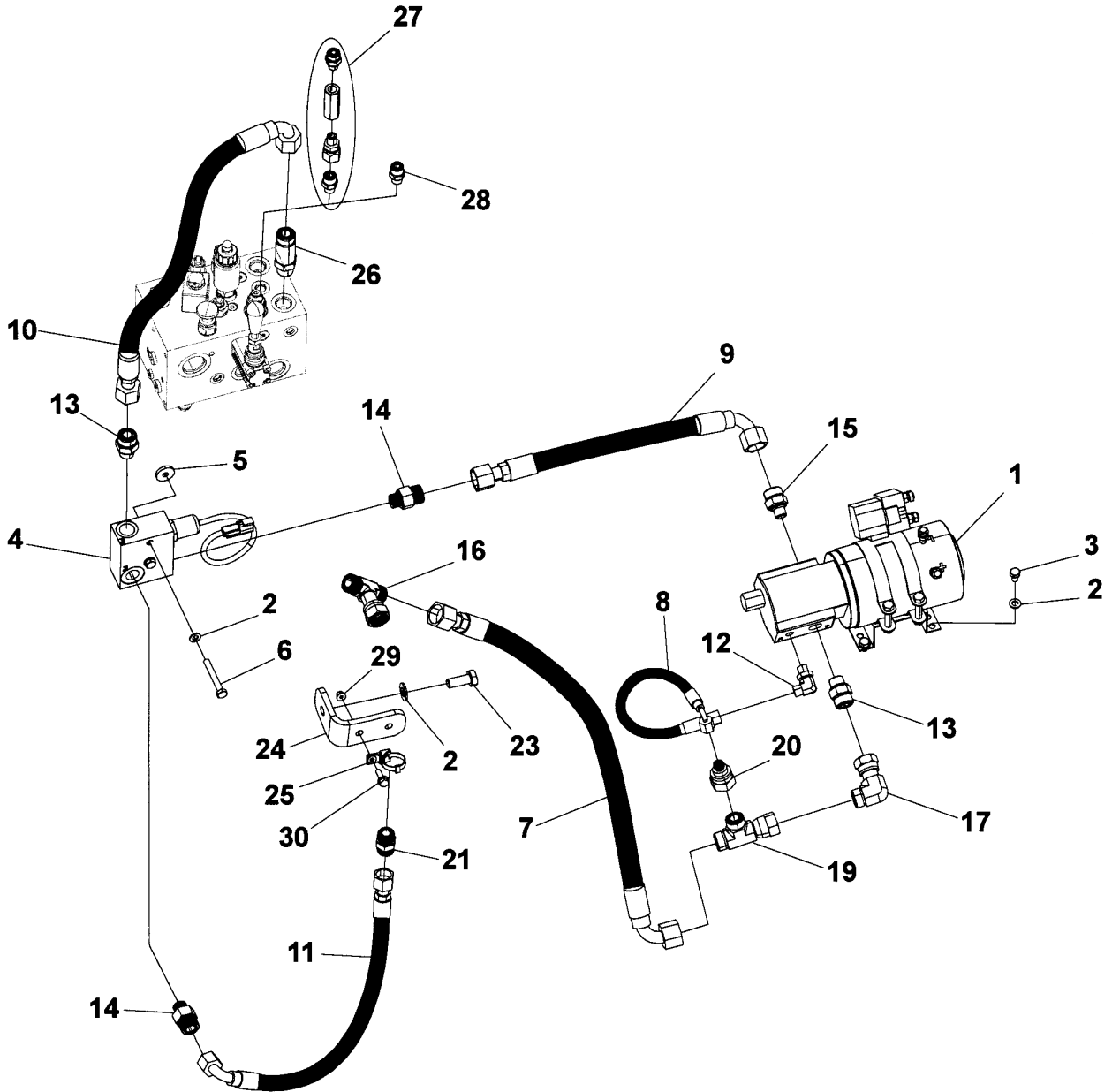


Refer to Parts Online for the most up to date information. The printed information might be outdated.

Fri Dec 11 01:18:27 MST 2015

| Item | Part No. | Name | Qty | L | SN INFO |
|------|------------|----------------|-----|---|---------|
| 1 | 4811000231 | Hydraulic hose | 1 | | |
| 2 | 4811000232 | Hydraulic hose | 1 | | |
| 3 | 4811000233 | Hydraulic hose | 1 | | |

Emergency steering option Emergency steering option



Refer to Parts Online for the most up to date information. The printed information might be outdated.

Fri Dec 11 01:18:27 MST 2015

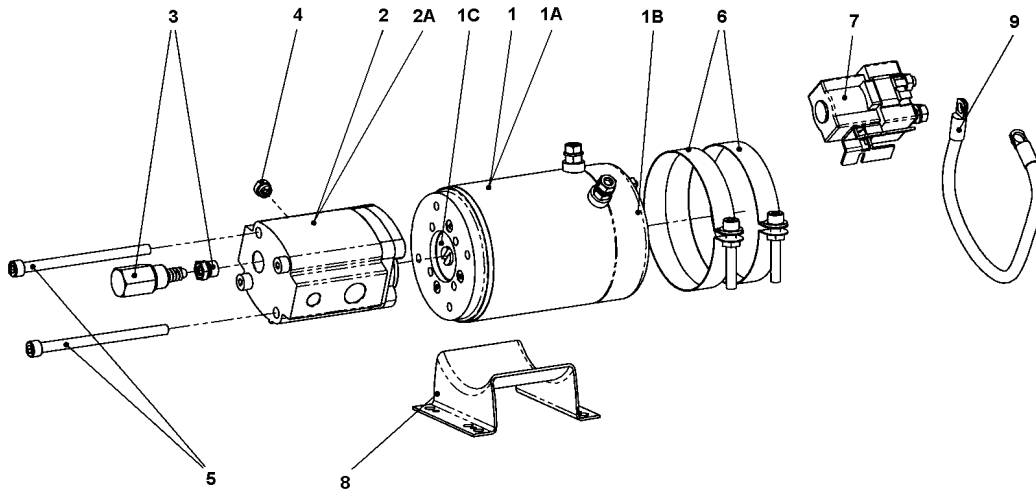
| Item | Part No. | Name | Qty | L | SN INFO |
|------|------------|--|-----|---|---------|
| 1 | 4812112188 | Hydraulic pump Emergency steering unit | 1 | | |
| 2 | 4700904229 | Steel plain washer | 7 | | |
| 3 | 4700500018 | Hex. screw | 4 | | |
| 4 | 4812112236 | Hydraulic valve | 1 | | |
| 5 | 4700904734 | Washer, 8,4x26x4 300 HV | 2 | | |
| 6 | 4700500026 | Screw M8-1,25x60 mm 8.8 | 2 | | |
| 7 | 4811000391 | Hydraulic hose | 1 | | |
| 8 | 4700484342 | Hydraulic hose | 1 | | |
| 9 | 4811000392 | Hydraulic hose | 1 | | |
| 10 | 4811000393 | Hydraulic hose | 1 | | |
| 11 | 4812116806 | Hydraulic hose | 1 | | |
| 12 | 4700791397 | Elbow 90, O-ring | 1 | | |
| 13 | 4700792074 | Straight connector | 2 | | |
| 14 | 4811000074 | Straight connector orfs | 2 | | |
| 15 | 4700792093 | Straight connector orfs | 1 | | |
| 16 | 4811000341 | Tee-connector | 1 | | |
| 17 | 4700904766 | Elbow connector 90° | 1 | | |
| 19 | 4700791832 | Tee-connector | 1 | | |
| 20 | 4811000305 | Reducer | 1 | | |
| 21 | 4700904943 | Connector | 1 | | |
| 23 | 4700500053 | Screw, M8x20 mm 8.8 A2K | 1 | | |
| 24 | 4812116807 | Bracket | 1 | | |
| 25 | 4812117665 | Cable tie with holder | 1 | | |
| 26 | 4700791821 | Straight connector orfs | 1 | | |
| 27 | - | Valve assembly | 1 | A | |
| 28 | 4812117024 | Check valve | 1 | | |
| 29 | 4700902285 | Nut | 1 | | |
| 30 | 4700500501 | Screw M6x20 | 1 | | |

Comments for Page: Emergency steering option

(L)OCAL REMARKS

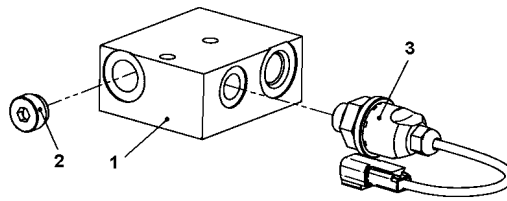
A | en_US | Replaced by item 28.

Emergency steering option 4812112188 Hydraulic pump Emergency steering unit



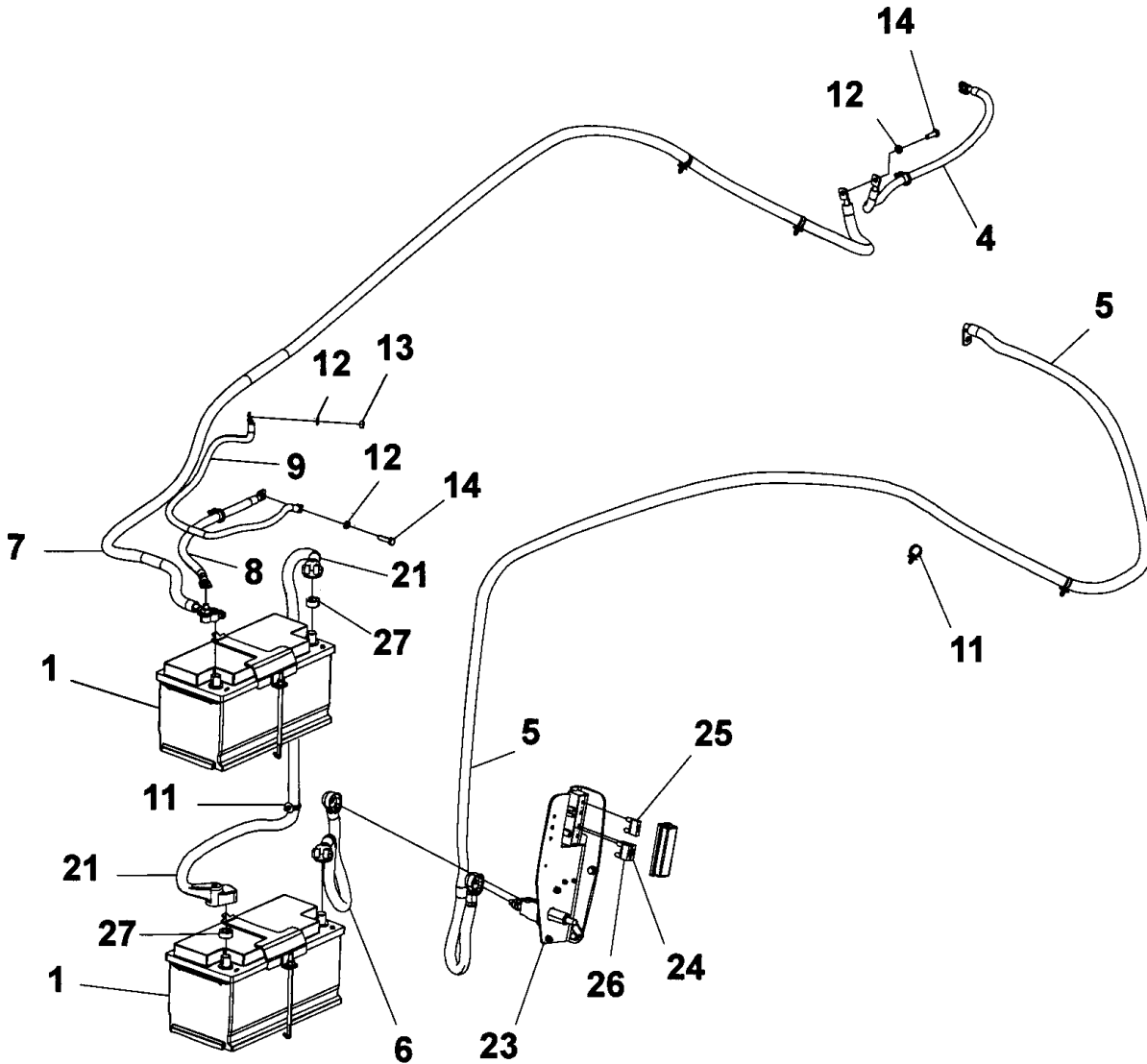
| Item | Part No. | Name | Qty | L | SN INFO |
|------|------------|--|-----|---|---------|
| 0 | 4812112188 | Hydraulic pump Emergency steering unit | 1 | | |
| 1 | 4812157656 | Motor | 1 | | |
| 1-A | - | Brush kit | 1 | | |
| 1-B | 4812157471 | Ball bearing | 1 | | |
| 1-C | 4812157472 | Ball bearing | 1 | | |
| 2 | 4812157657 | Pump | 1 | | |
| 2-A | 4812157473 | Seal kit | 1 | | |
| 3 | - | Relief valve kit | 1 | | |
| 4 | - | Check valve | 1 | | |
| 5 | - | Screw | 2 | | |
| 6 | - | Clamp cpl | 2 | | |
| 7 | 4812157474 | Start switch | 1 | | |
| 8 | - | Motor bracket | 1 | | |
| 9 | - | Connection cable | 1 | | |

Emergency steering option 4812112236 Hydraulic valve



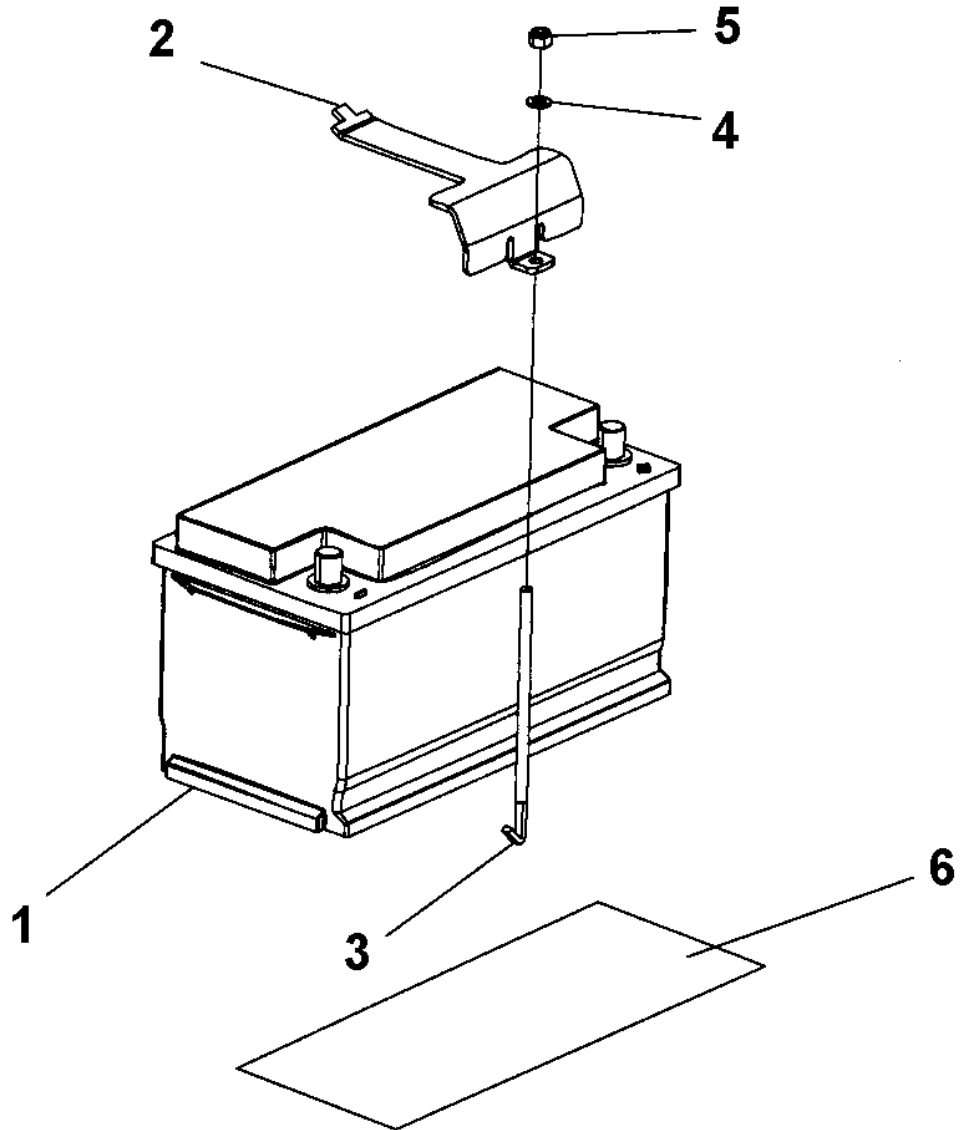
| Item | Part No. | Name | Qty | L | SN INFO |
|------|------------|---------------------|-----|---|---------|
| 0 | 4812112236 | Hydraulic valve | 1 | | |
| 1 | - | Valve block | 1 | | |
| 2 | - | Check valve | 1 | | |
| 3 | - | Pressure switch cpl | 1 | | |

Electric cables, power supply, 1-pole Electric cables, power supply, 1-pole



| Item | Part No. | Name | Qty | L | SN INFO |
|------|------------|-----------------------------|-----|---|---------|
| 1 | - | Battery module | 2 | | |
| 4 | 4811000172 | Connection cable, coarse | 1 | | |
| 5 | 4812118464 | Connection cable, coarse | 1 | | |
| 6 | 4811000176 | Battery cable | 1 | | |
| 7 | 4811000177 | Battery cable | 1 | | |
| 8 | 4811000178 | Connection cable, coarse | 1 | | |
| 9 | 4700791518 | Connection cable, coarse | 1 | | |
| 11 | 4700792441 | Cable tie with holder | N | | |
| 12 | 4700904229 | Steel plain washer | 4 | | |
| 13 | 4700570005 | Hexagon nut | 3 | | |
| 14 | 4700500053 | Screw, M8x20 mm 8.8 A2K | 2 | | |
| 21 | 4812118467 | Battery union cable | 1 | | |
| 23 | - | Battery disconnecter module | 1 | | |
| 24 | 4700904037 | Fuse 30A Green | 1 | | |
| 25 | 4700904039 | Fuse 50A Red | 1 | | |
| 26 | 4700904038 | Fuse 40A Orange | 1 | | |
| 27 | 4812118154 | Spacer | 2 | | |

Electric cables, power supply, 1-pole Battery module

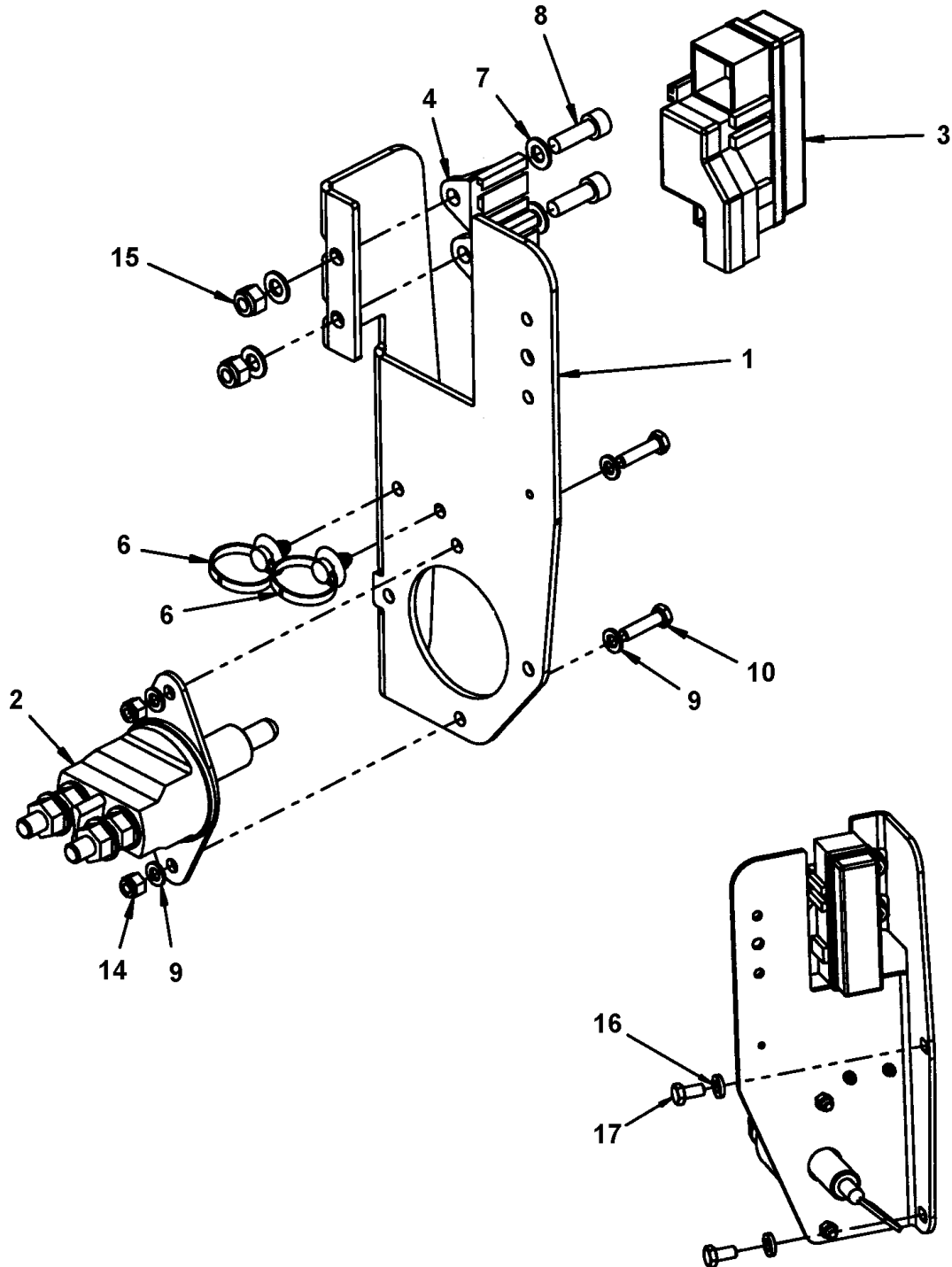


Refer to Parts Online for the most up to date information. The printed information might be outdated.

Fri Dec 11 01:18:30 MST 2015

| Item | Part No. | Name | Qty | L | SN INFO |
|------|------------|-----------------------------------|-----|---|---------|
| 1 | - | Battery 12V, 100 Ah (353x175x190) | 1 | | |
| 2 | 4700396634 | Battery holder | 1 | | |
| 3 | 4700396635 | Battery screw | 1 | | |
| 4 | 4700904229 | Steel plain washer | 1 | | |
| 5 | 4700586003 | Nut, M8 | 1 | | |
| 6 | 4700355608 | Slip protection | 1 | | |

Electric cables, power supply, 1-pole Battery disconnecter module

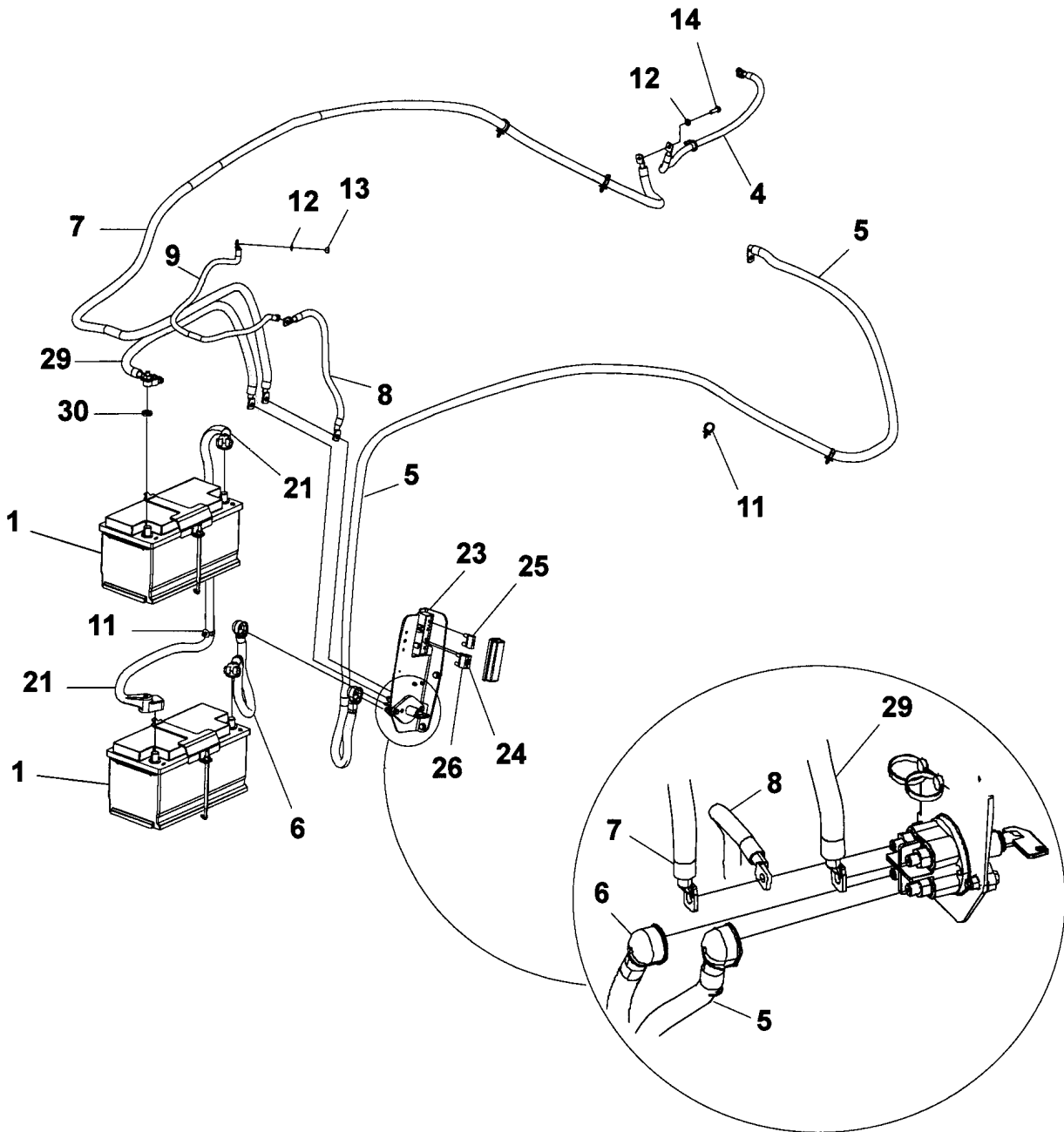


Refer to Parts Online for the most up to date information. The printed information might be outdated.

Fri Dec 11 01:18:30 MST 2015

| Item | Part No. | Name | Qty | L | SN INFO |
|------|------------|-----------------------------|-----|---|---------|
| 1 | 4812116738 | Holder | 1 | | |
| 2 | 4700903640 | Battery switch | 1 | | |
| 2 | 4700903641 | Battery key | 1 | | |
| 3 | 4812111981 | Fuse holder | 1 | | |
| 4 | 4812112000 | Fuse holder | 2 | | |
| 6 | 4700792441 | Cable tie with holder | 2 | | |
| 7 | 4700904229 | Steel plain washer | 4 | | |
| 8 | 4700508019 | Cylinder screw | 2 | | |
| 9 | 4700904228 | Washer 6.4x12x1.5 mm 300 HV | 4 | | |
| 10 | 4700500075 | Screw, M6-1,0x25 mm 8.8 | 2 | | |
| 14 | 4700586002 | Lock nut M6 -8 | 2 | | |
| 15 | 4700586003 | Nut, M8 | 2 | | |
| 16 | 4700904556 | Steel plain washer | 2 | | |
| 17 | 4700500019 | Hex. screw | 2 | | |

Electric cables, power supply, 2-pole, option Electric cables, power supply, 2-pole, option

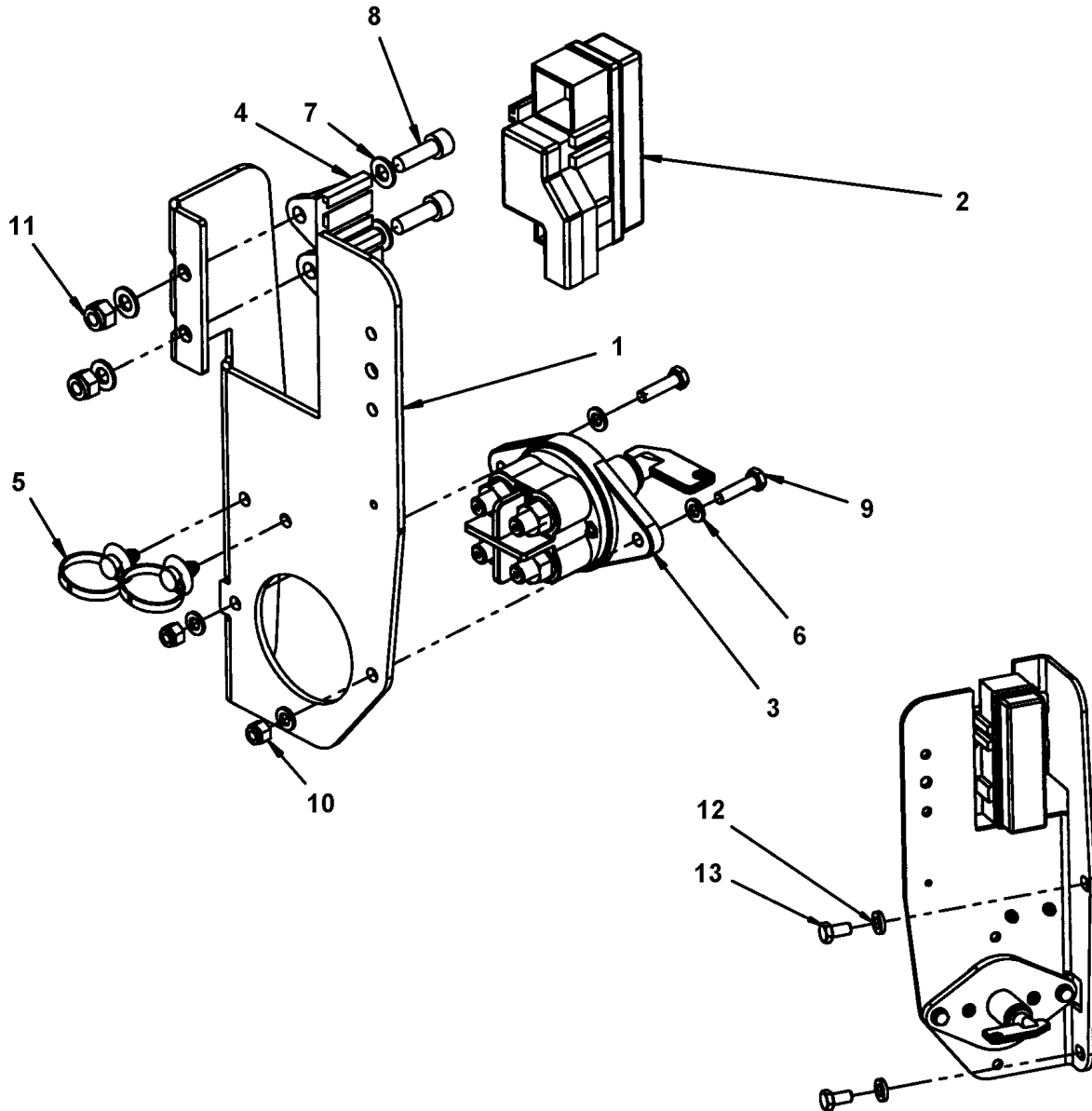


Refer to Parts Online for the most up to date information. The printed information might be outdated.

Fri Dec 11 01:18:30 MST 2015

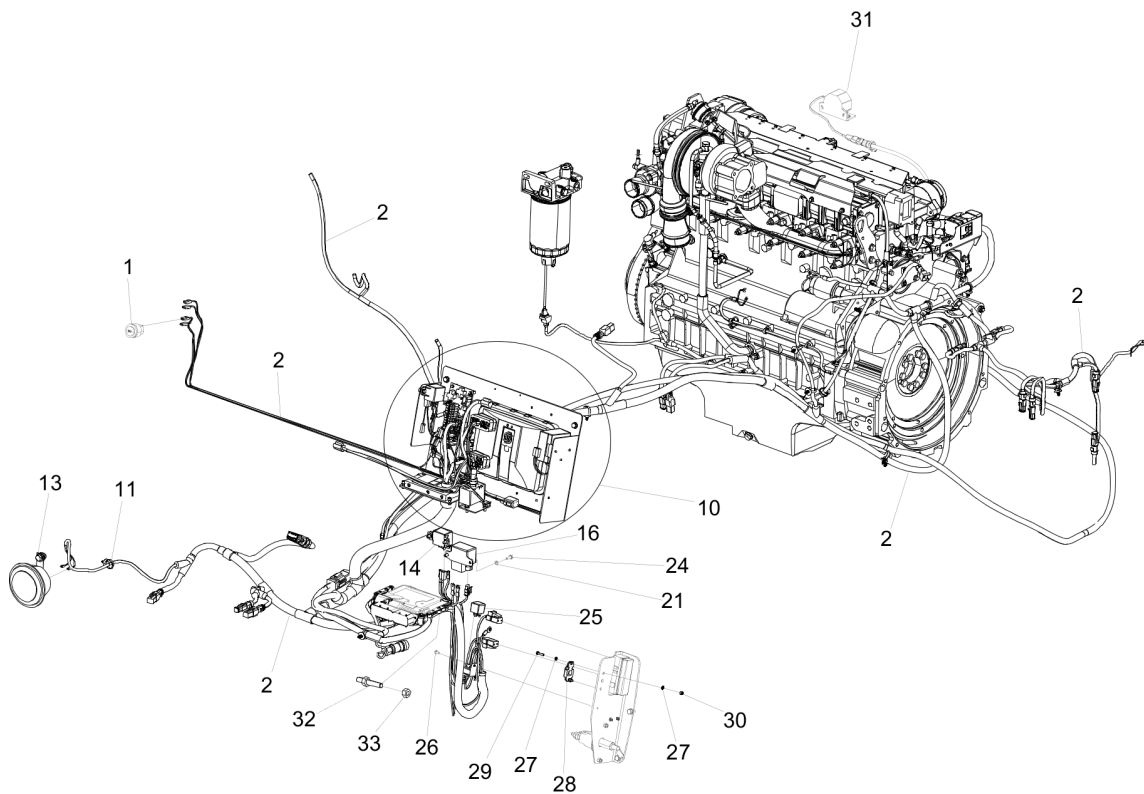
| Item | Part No. | Name | Qty | L | SN INFO |
|------|------------|------------------------------|-----|---|---------|
| 1 | - | Battery module | 2 | | |
| 4 | 4811000172 | Connection cable, coarse | 1 | | |
| 5 | 4812118464 | Connection cable, coarse | 1 | | |
| 6 | 4811000176 | Battery cable | 1 | | |
| 7 | 4812116361 | Connection cable | 1 | | |
| 8 | 4812118385 | Connection cable, coarse | 1 | | |
| 9 | 4700791518 | Connection cable, coarse | 1 | | |
| 11 | 4700792441 | Cable tie with holder | N | | |
| 12 | 4700904229 | Steel plain washer | 2 | | |
| 13 | 4700570005 | Hexagon nut | 1 | | |
| 14 | 4700500021 | Hex. screw | 1 | | |
| 21 | 4812118467 | Battery union cable | 1 | | |
| 23 | - | Battery disconnecter, 2-pole | 1 | | |
| 24 | 4700904037 | Fuse 30A Green | 1 | | |
| 25 | 4700904039 | Fuse 50A Red | 1 | | |
| 26 | 4700904038 | Fuse 40A Orange | 1 | | |
| 29 | 4812116362 | Battery cable | 1 | | |
| 30 | 4812118154 | Spacer | 2 | | |

Electric cables, power supply, 2-pole, option Battery disconnecter, 2-pole



| Item | Part No. | Name | Qty | L | SN INFO |
|------|------------|-----------------------------|-----|---|---------|
| 1 | 4812116738 | Holder | 1 | | |
| 2 | 4812111981 | Fuse holder | 1 | | |
| 3 | 4812116877 | Battery switch | 1 | | |
| 4 | 4812112000 | Fuse holder | 2 | | |
| 5 | 4700792441 | Cable tie with holder | 2 | | |
| 6 | 4700904228 | Washer 6.4x12x1.5 mm 300 HV | 4 | | |
| 7 | 4700904229 | Steel plain washer | 4 | | |
| 8 | 4700508019 | Cylinder screw | 2 | | |
| 9 | 4700500075 | Screw, M6-1,0x25 mm 8.8 | 2 | | |
| 10 | 4700586002 | Lock nut M6 -8 | 2 | | |
| 11 | 4700586003 | Nut, M8 | 2 | | |
| 12 | 4700904556 | Steel plain washer | 2 | | |
| 13 | 4700500019 | Hex. screw | 3 | | |

Electric cables, engine ECU, horn, back-up alarm Electric cables, engine ECU, horn, back-up alarm



| Item | Part No. | Name | Qty | L | SN INFO |
|------|------------|--|-----|---|---------|
| 1 | 4812110560 | Power socket 12V | 1 | C | |
| 2 | 4812120923 | Cable harness | 1 | | |
| 10 | - | ECU, inclination sensor, power converter | 1 | | |
| 11 | 4700792441 | Cable tie with holder | N | | |
| 13 | - | Horn module | 1 | | |
| 14 | 4700792309 | Relay | 1 | B | |
| 16 | 4700792310 | Relay 120A | 1 | A | |
| 21 | 4700904228 | Washer 6.4x12x1.5 mm 300 HV | 4 | | |
| 24 | 4700500013 | Hex. screw | 4 | | |
| 25 | 4700792422 | Relay 24V 20A | 1 | D | |
| 26 | 4700792210 | Screw torx | 1 | | |
| 27 | 4700904281 | Washer, 5,3x10x1 300HV | 8 | | |
| 28 | 4700904036 | Bracket | 1 | | |
| 29 | 4700500060 | Screw M5-0,8x20 8.8 | 2 | | |
| 30 | 4700586001 | Lock nut | 2 | | |
| 31 | - | Back-up alarm module | 1 | | |
| 32 | 0248998073 | Threaded stud | 1 | | |
| 33 | 4700570005 | Hexagon nut | 4 | | |
| 37 | - | Back-up alarm module | 1 | | |
| 38 | - | Bracket module | 1 | | |
| 39 | 4700570101 | Nut M6 | 2 | | |

Comments for Page: Electric cables, engine ECU, horn, back-up alarm

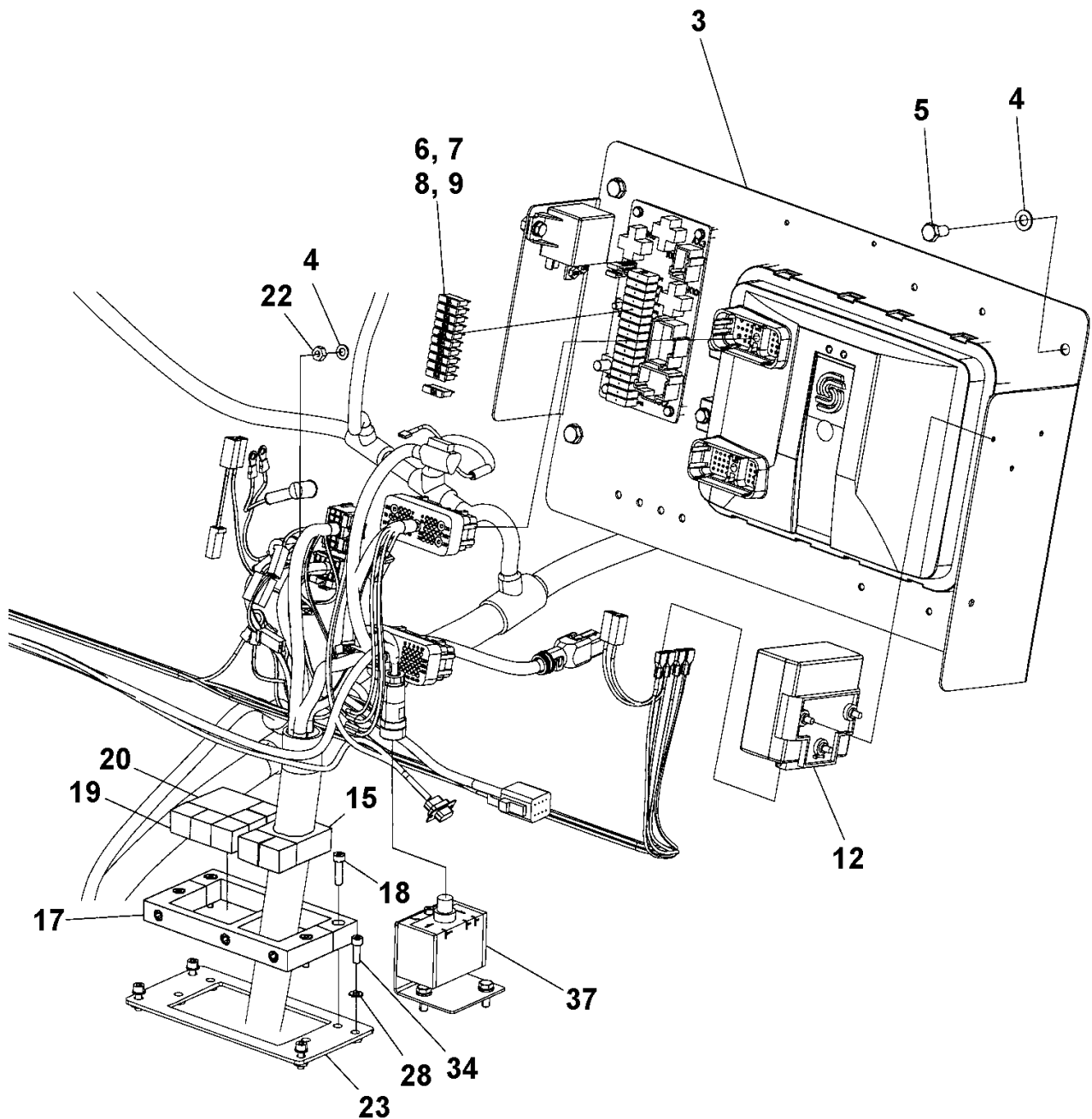
(L)OCAL REMARKS

A | en_US | Grid heater relay.

B | en_US | Starter relay.

C | en_US | Option.

D | en_US | ECM box.

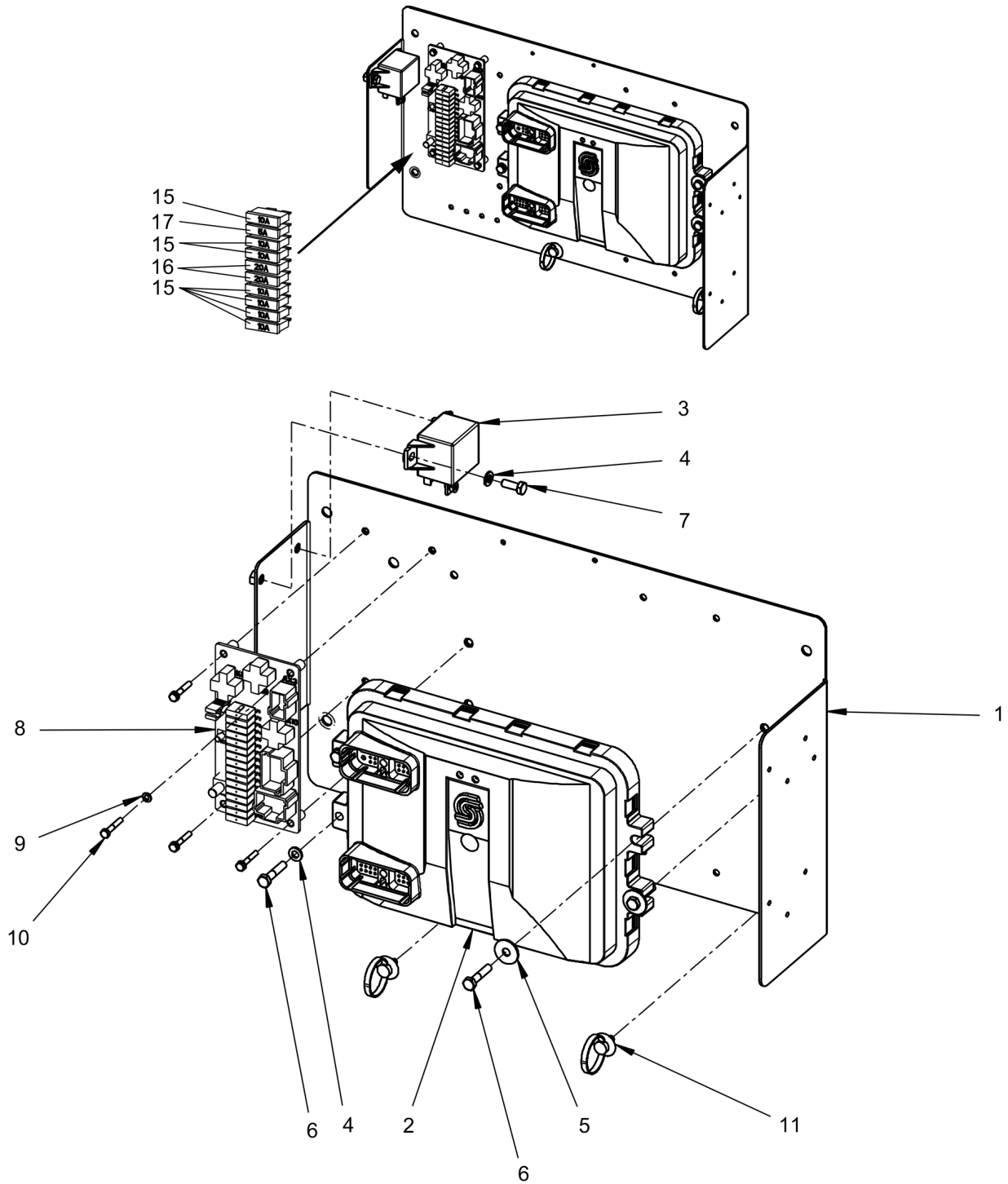
Electric cables, engine ECU, horn, back-up alarm ECU, inclination sensor, power converter

Refer to Parts Online for the most up to date information. The printed information might be outdated.

Fri Dec 11 01:18:32 MST 2015

| Item | Part No. | Name | Qty | L | SN INFO |
|------|------------|---------------------------|-----|---|---------|
| 3 | - | Standard ECU assembly | 1 | | |
| 4 | 4700904229 | Steel plain washer | 5 | | |
| 5 | 4700500019 | Hex. screw | 4 | | |
| 6 | 4700901225 | Fuse 5A Tan | 1 | | |
| 7 | 4700901227 | Fuse 10A Red | 7 | | |
| 8 | 4700903741 | Fuse 20A Yellow | 2 | | |
| 9 | 4700901228 | Fuse, 15A Blue | 1 | | |
| 12 | - | Power converter module | 1 | | |
| 15 | 4812112067 | Cable entry insert | 1 | | |
| 17 | 4812112065 | Cable entry frame | 1 | | |
| 18 | 4700508020 | Screw | 4 | | |
| 19 | 4812112066 | Cable entry insert | 7 | | |
| 20 | 4812112070 | Cable entry insert | 1 | | |
| 22 | 4700570005 | Hexagon nut | 1 | | |
| 23 | 4812114426 | Holder | 1 | | |
| 28 | 4700904281 | Washer, 5,3x10x1 300HV | 4 | | |
| 34 | 4700926537 | Screw | 4 | | |
| 37 | - | Inclination sensor module | 1 | | |

Electric cables, engine ECU, horn, back-up alarm Standard ECU assembly



Refer to Parts Online for the most up to date information. The printed information might be outdated.

Fri Dec 11 01:18:33 MST 2015

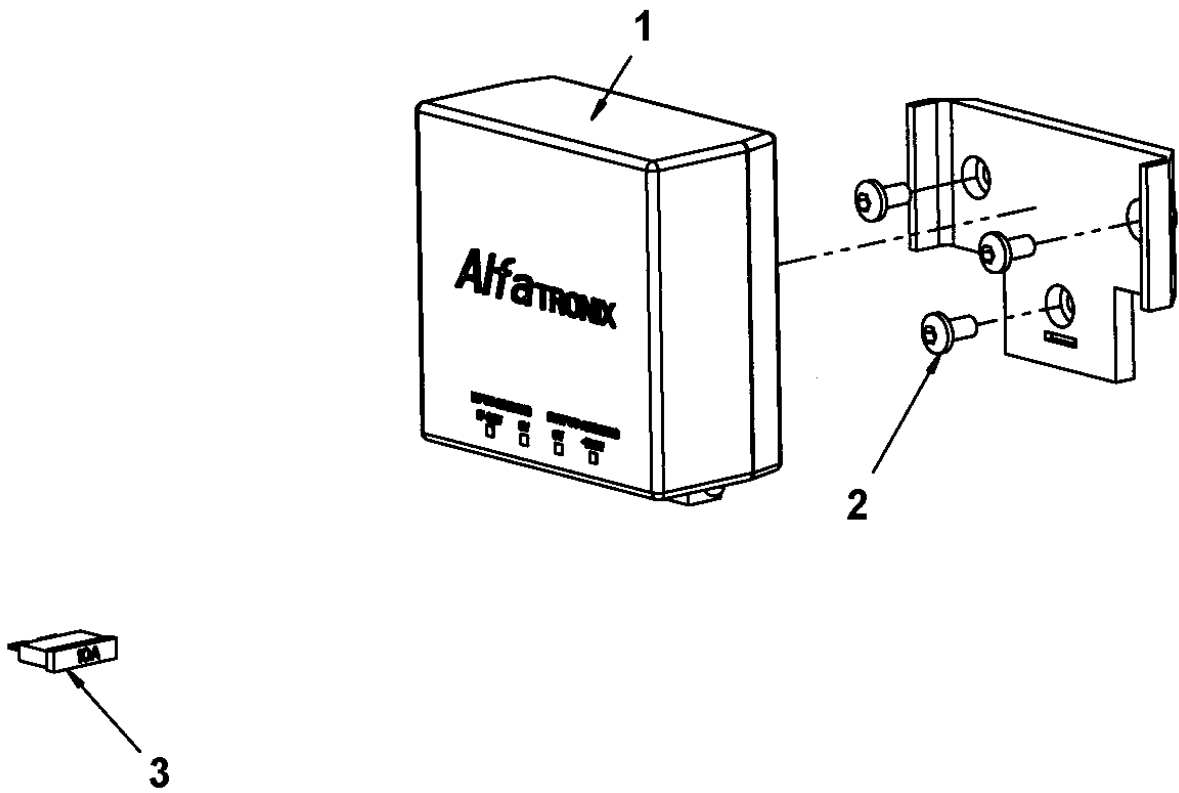
| Item | Part No. | Name | Qty | L | SN INFO |
|------|------------|-----------------------------|-----|---|---------|
| 1 | 4812114619 | Mounting plate | 1 | | |
| 2 | 4700390860 | Control unit | 1 | | |
| 3 | 4700792309 | Relay | 1 | A | |
| 4 | 4700904228 | Washer 6.4x12x1.5 mm 300 HV | 4 | | |
| 5 | 4700928467 | Washer | 2 | | |
| 6 | 4700500015 | Hex. screw | 4 | | |
| 7 | 4700500013 | Hex. screw | 2 | | |
| 8 | 4812114655 | Circuit board | 1 | | |
| 9 | 4700904698 | Steel plain washer | 4 | | |
| 10 | 4700904312 | Screw | 4 | | |
| 11 | 4700792441 | Cable tie with holder | 2 | | |
| 15 | 4700901227 | Fuse 10A Red | 7 | | |
| 16 | 4700903741 | Fuse 20A Yellow | 2 | | |
| 17 | 4700901225 | Fuse 5A Tan | 1 | | |

Comments for Page: Standard ECU assembly

(L)OCAL REMARKS

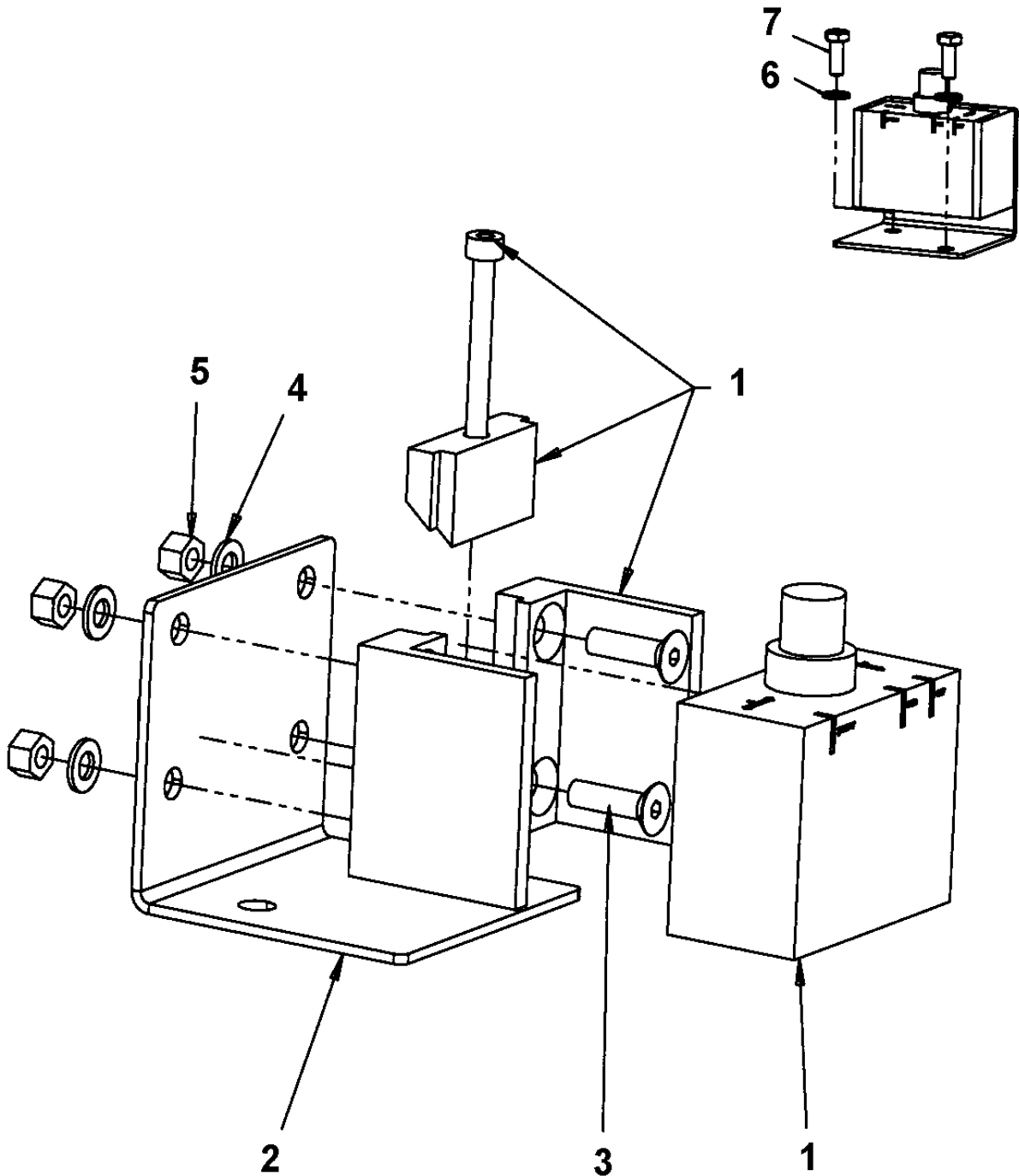
A | en_US | Main.

Electric cables, engine ECU, horn, back-up alarm Power converter module



| Item | Part No. | Name | Qty | L | SN INFO |
|------|------------|-----------------|-----|---|---------|
| 1 | 4812112017 | Power converter | 1 | | |
| 2 | 4700792210 | Screw torx | 3 | | |
| 3 | 4700901227 | Fuse 10A Red | 1 | | |

Electric cables, engine ECU, horn, back-up alarm Inclination sensor module

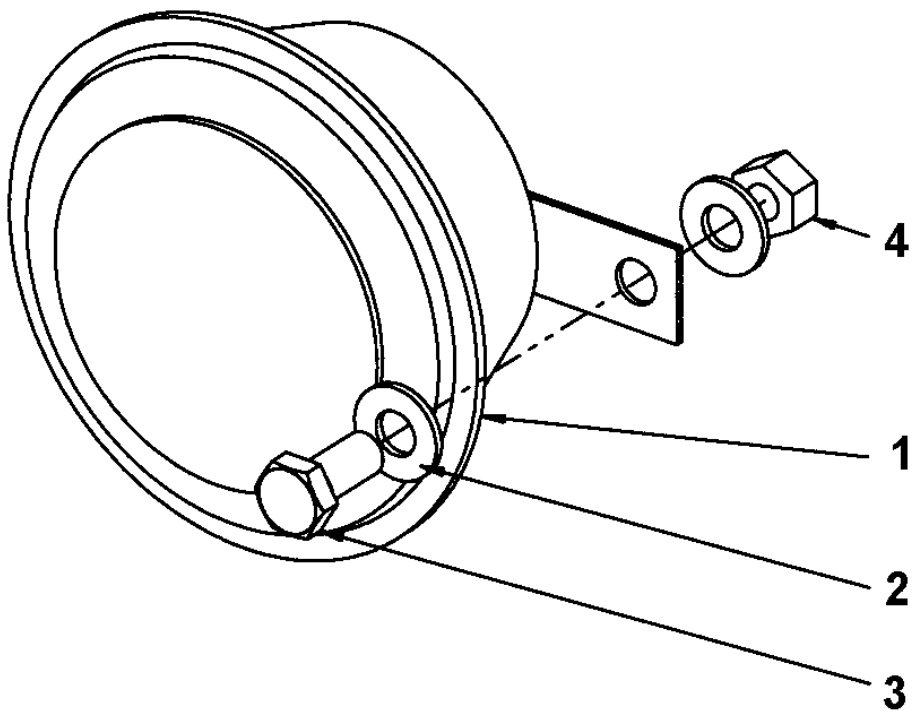


Refer to Parts Online for the most up to date information. The printed information might be outdated.

Fri Dec 11 01:18:34 MST 2015

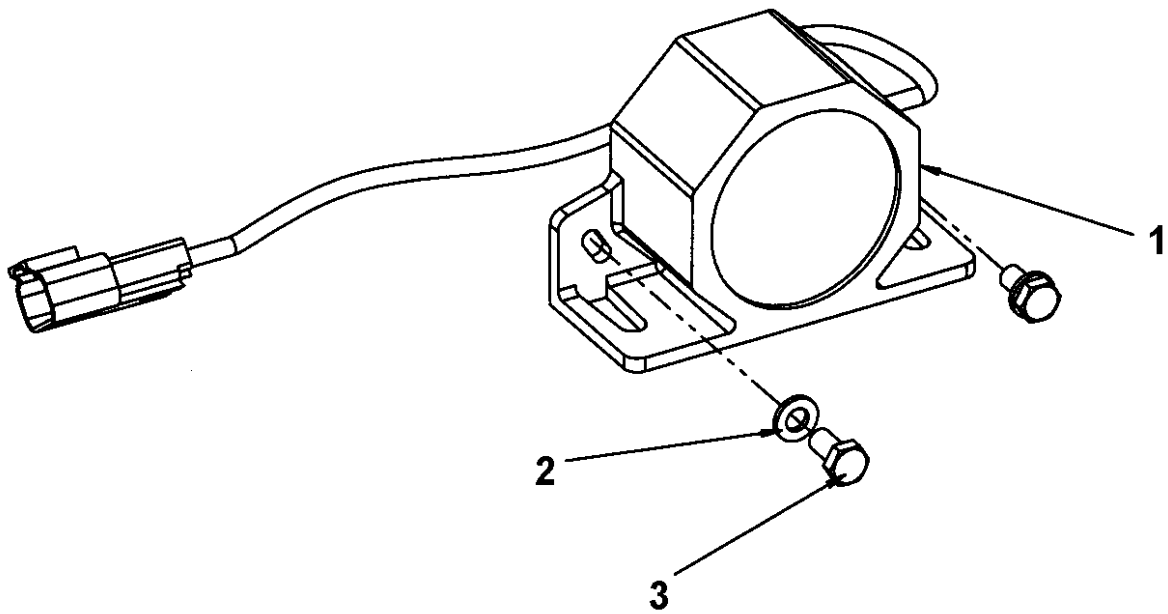
| Item | Part No. | Name | Qty | L | SN INFO |
|------|------------|-----------------------------|-----|---|---------|
| 1 | 4812112686 | Inclination sensor | 1 | | |
| 2 | 4812112691 | Holder | 1 | | |
| 3 | 4700904504 | Screw M5 x 18 | 4 | | |
| 4 | 4700904281 | Washer, 5,3x10x1 300HV | 4 | | |
| 5 | 4700570003 | Hex. nut | 4 | | |
| 6 | 4700904228 | Washer 6.4x12x1.5 mm 300 HV | 2 | | |
| 7 | 4700500013 | Hex. screw | 2 | | |

Electric cables, engine ECU, horn, back-up alarm Horn module



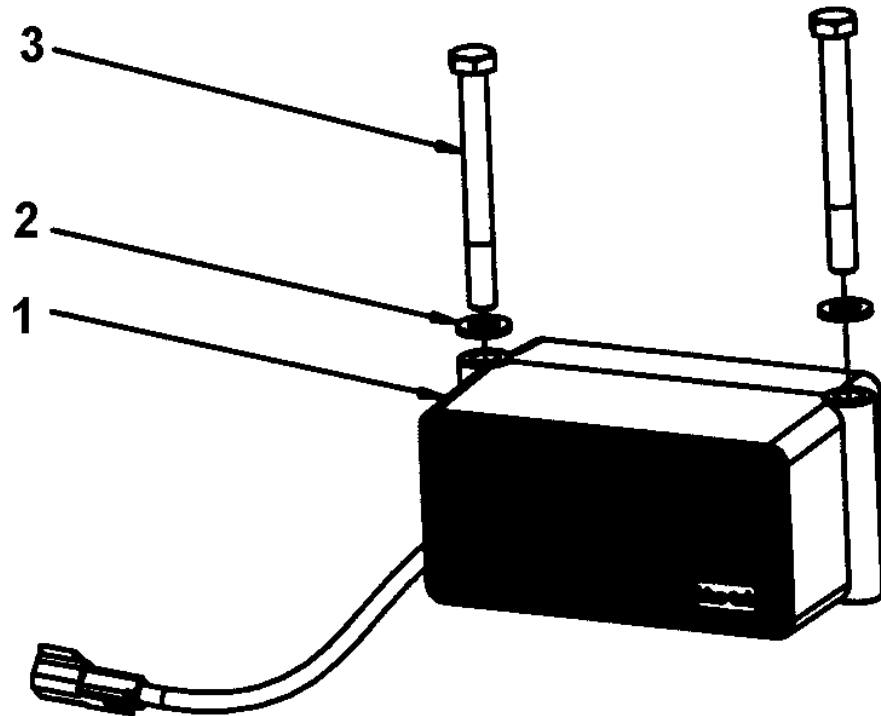
| Item | Part No. | Name | Qty | L | SN INFO |
|------|------------|----------------------------|-----|---|---------|
| 1 | 4812115767 | Horn | 1 | | |
| 2 | 4700904230 | Washer 10.5x22x2 mm 300 HV | 2 | | |
| 3 | 4700500027 | Screw M10-1,55x22 8.8 | 1 | | |
| 4 | 4700570006 | Hex. nut | 1 | | |

Electric cables, engine ECU, horn, back-up alarm Back-up alarm module



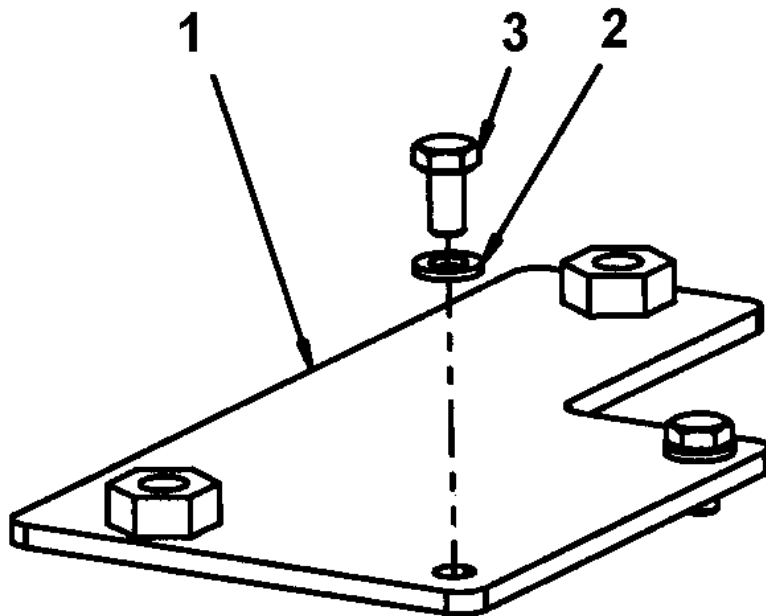
| Item | Part No. | Name | Qty | L | SN INFO |
|------|------------|-----------------------------|-----|---|---------|
| 1 | 4700904911 | Back-up alarm | 1 | | |
| 2 | 4700904228 | Washer 6.4x12x1.5 mm 300 HV | 2 | | |
| 3 | 4700500012 | Hex. screw | 2 | | |

Electric cables, engine ECU, horn, back-up alarm Back-up alarm module



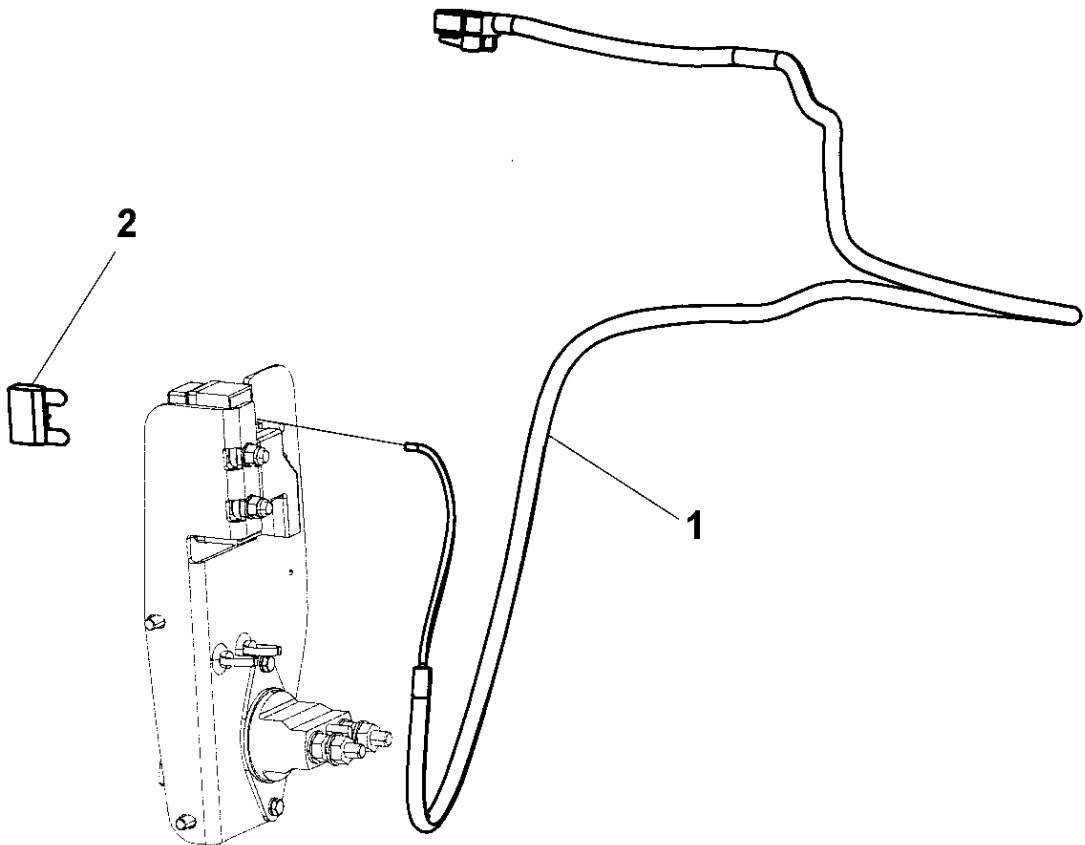
| Item | Part No. | Name | Qty | L | SN INFO |
|------|------------|--------------------|-----|---|---------|
| 1 | 4812117108 | Back-up alarm | 1 | | |
| 2 | 4700904570 | Steel plain washer | 2 | | |
| 3 | 4700792776 | Screw | 2 | | |

Electric cables, engine ECU, horn, back-up alarm Bracket module



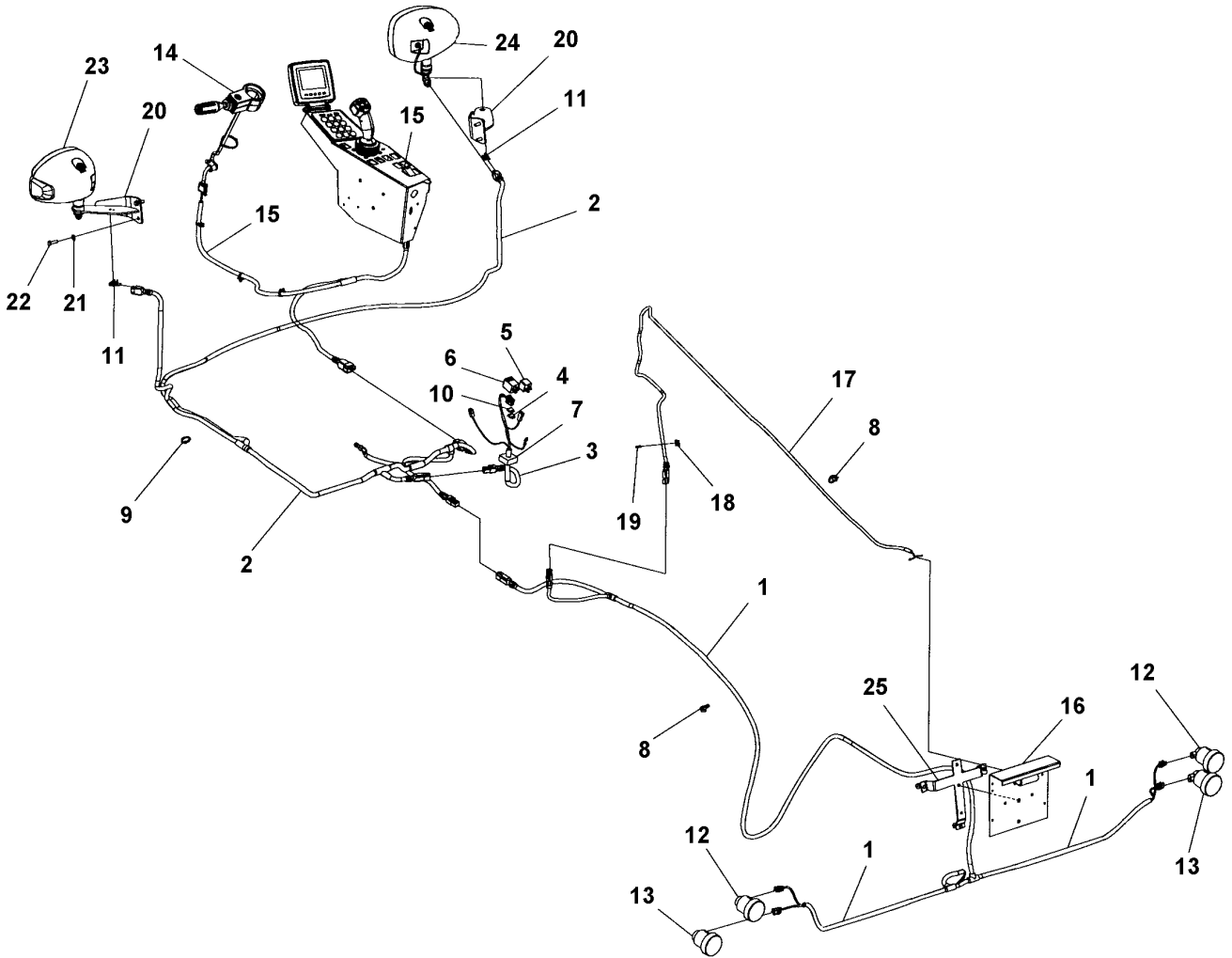
| Item | Part No. | Name | Qty | L | SN INFO |
|------|------------|-----------------------------|-----|---|---------|
| 1 | 4812117149 | Bracket | 1 | | |
| 2 | 4700904228 | Washer 6.4x12x1.5 mm 300 HV | 2 | | |
| 3 | 4700500012 | Hex. screw | 2 | | |

Cable harness kit Power supply cab Cable harness kit Power supply cab



| Item | Part No. | Name | Qty | L | SN INFO |
|------|------------|----------------|-----|---|---------|
| 1 | 4812111241 | Cable harness | 1 | | |
| 2 | 4700904037 | Fuse 30A Green | 1 | | |

Driving & side direction lights, number plate light, option Driving & side direction lights, number plate light, option



Refer to Parts Online for the most up to date information. The printed information might be outdated.

Fri Dec 11 01:18:35 MST 2015

| Item | Part No. | Name | Qty | L | SN INFO |
|------|------------|-----------------------------------|-----|---|---------|
| 1 | 4812110884 | Cable harness | 1 | | |
| 2 | 4812112374 | Cable harness | 1 | | |
| 3 | 4812114656 | Cable harness | 1 | | |
| 4 | 4700901227 | Fuse 10A Red | 1 | | |
| 5 | 4700792422 | Relay 24V 20A | 1 | | |
| 6 | 4811000163 | Flash relay | 1 | | |
| 7 | 4811000429 | Cable entry insert | 1 | | |
| 8 | 4700792441 | Cable tie with holder | 26 | | |
| 9 | 4700313041 | Cable tie | 11 | | |
| 10 | 4700901226 | Fuse 7.5A Brown | 1 | | |
| 11 | 4812114873 | Connector holder | 2 | | |
| 12 | 4700792520 | Direction indicator | 2 | | |
| 13 | 4700792519 | Brake/position light | 2 | | |
| 14 | - | Steering column switch module | 1 | | |
| 15 | - | Cable harness kit | 1 | | |
| 16 | - | Registration plate light module | 1 | | |
| 17 | 4812112916 | Cable harness | 1 | | |
| 18 | 4700395352 | Cable tie holder | 5 | | |
| 19 | 4700313068 | Clamp | 5 | | |
| 20 | 4812112793 | Bracket | 2 | | |
| 21 | 4700904229 | Steel plain washer | 4 | | |
| 22 | 4700500021 | Hex. screw | 4 | | |
| 23 | 4812113117 | Head light, right hand asymmetric | 1 | A | |
| 23 | 4812113140 | Head light, left hand asymmetric | 1 | A | |
| 24 | 4812113118 | Head light, right hand asymmetric | 1 | B | |
| 24 | 4812113141 | Head light, left hand asymmetric | 1 | B | |
| 25 | - | Holder, Registration plate light | 1 | | |

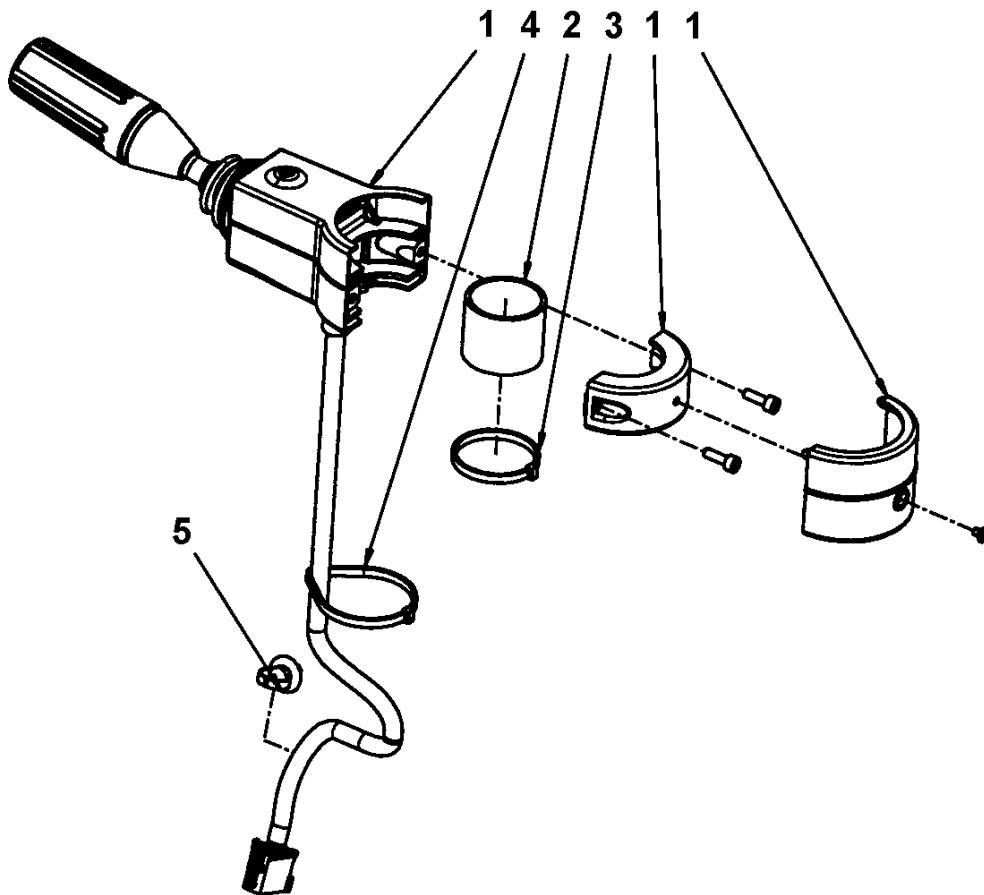
Comments for Page: Driving & side direction lights, number plate light, option

(L)OCAL REMARKS

A | en_US | Left

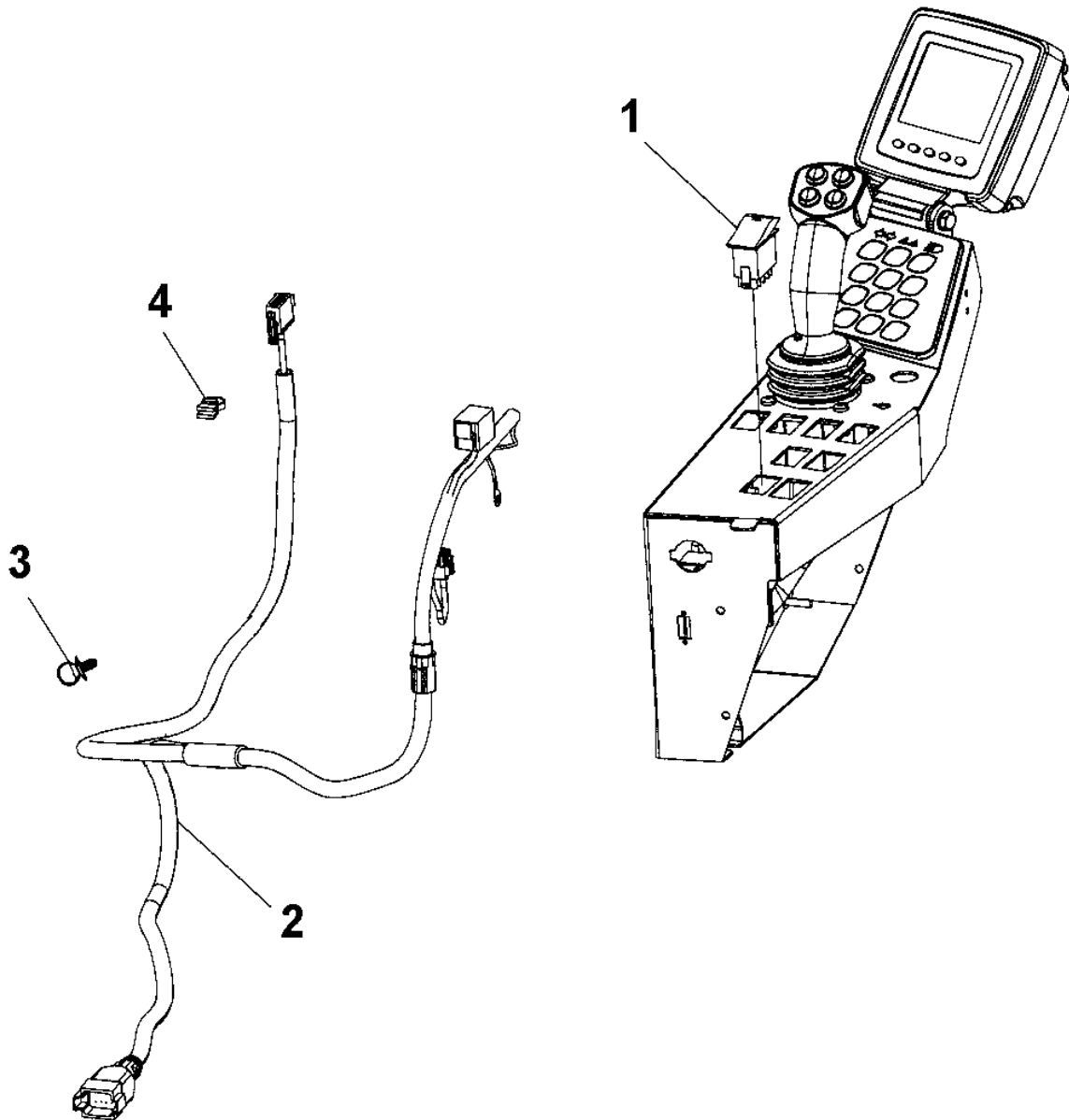
B | en_US | Right

Driving & side direction lights, number plate light, option Steering column switch module



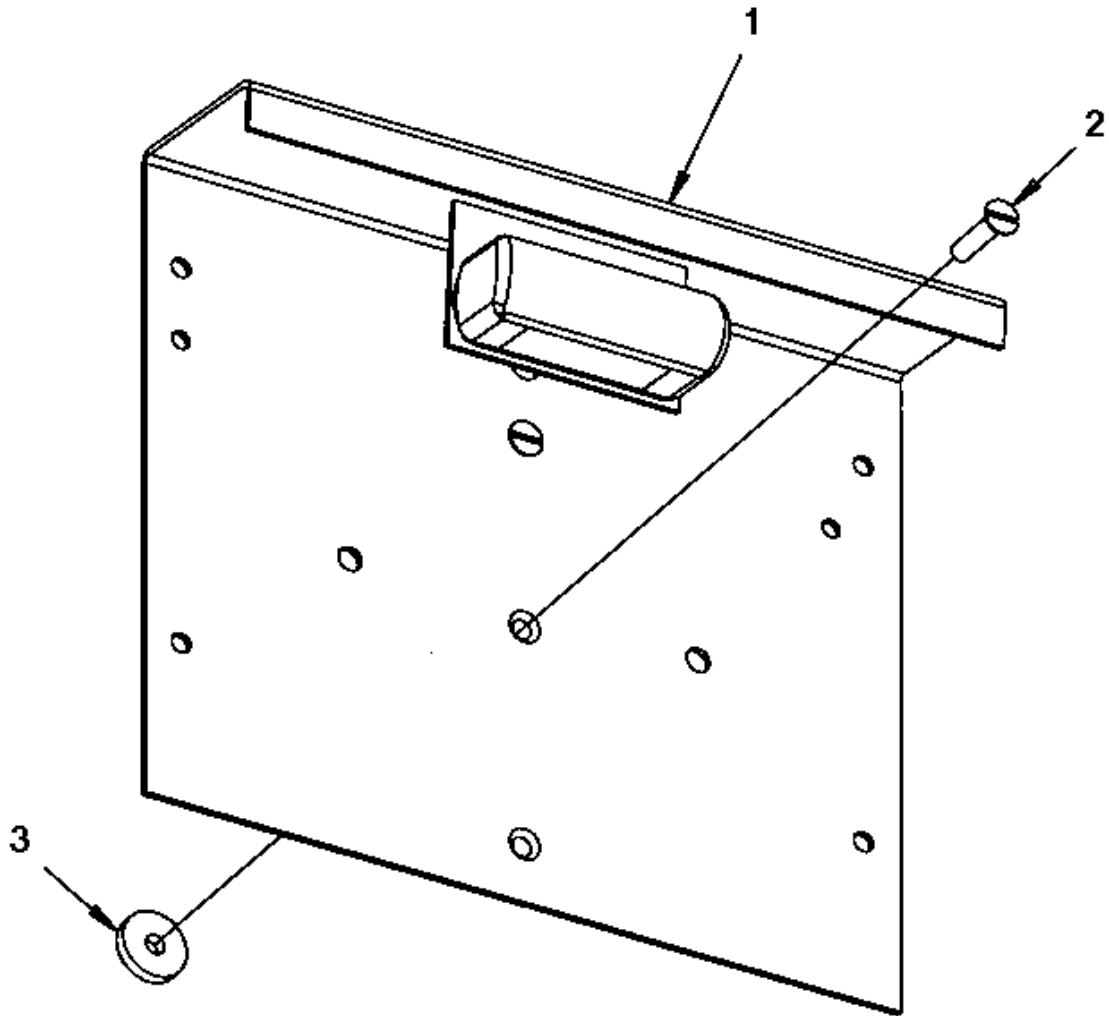
| Item | Part No. | Name | Qty | L | SN INFO |
|------|------------|------------------------|-----|---|---------|
| 1 | 4700392450 | Steering column switch | 1 | | |
| 2 | 4700392451 | Rubber cloth | 1 | | |
| 3 | 4700313041 | Cable tie | 1 | | |
| 4 | 4700792609 | Cable ties | 1 | | |
| 5 | 4700921080 | Clamp | 1 | | |

Driving & side direction lights, number plate light, option Cable harness kit



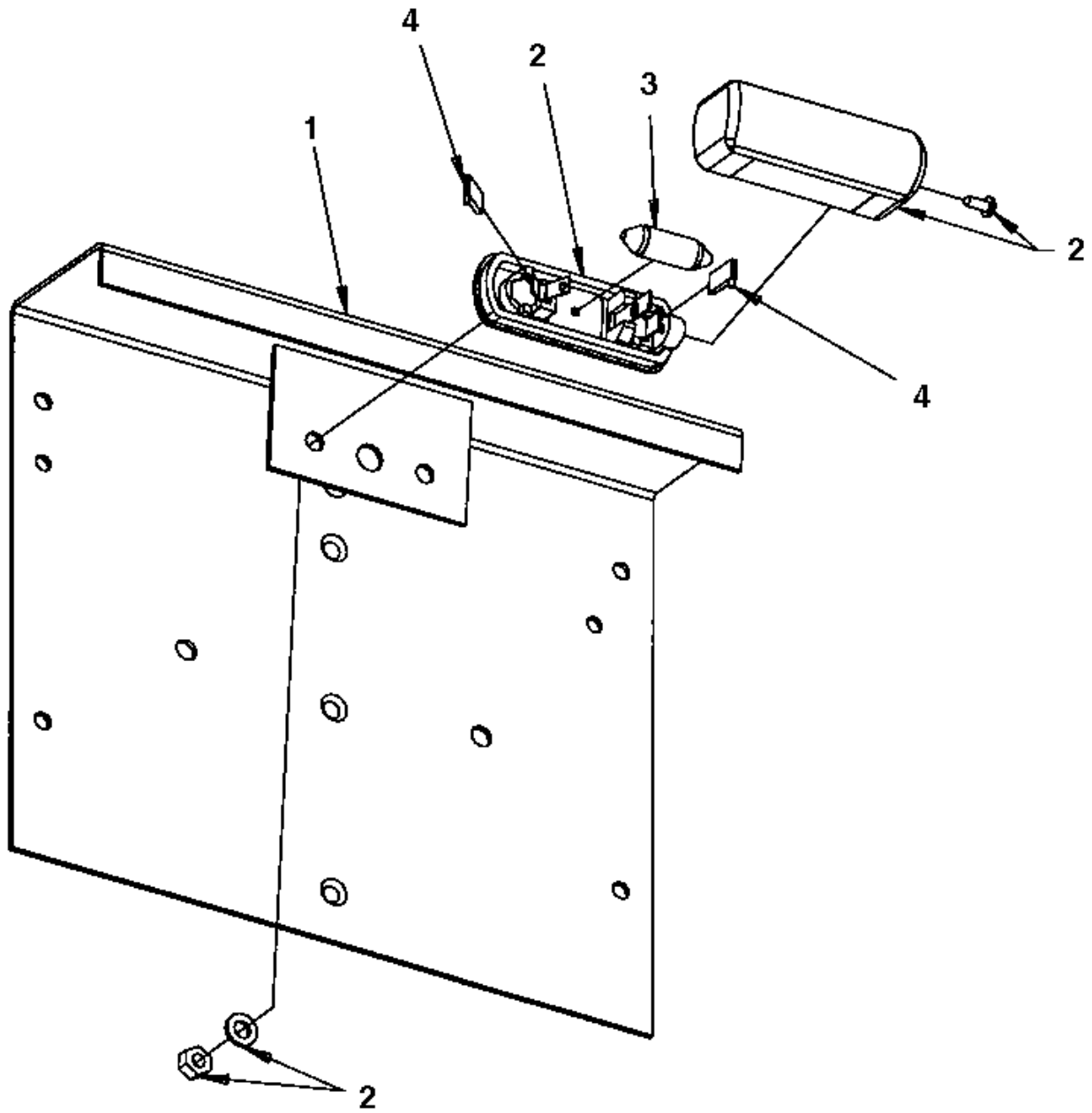
| Item | Part No. | Name | Qty | L | SN INFO |
|------|------------|-----------------------|-----|---|---------|
| 1 | 4700792398 | Switch | 1 | | |
| 2 | 4812111248 | Cable harness | 1 | | |
| 3 | 4700792441 | Cable tie with holder | 2 | | |
| 4 | 4700792537 | Cable tie with holder | 1 | | |

Driving & side direction lights, number plate light, option Registration plate light module



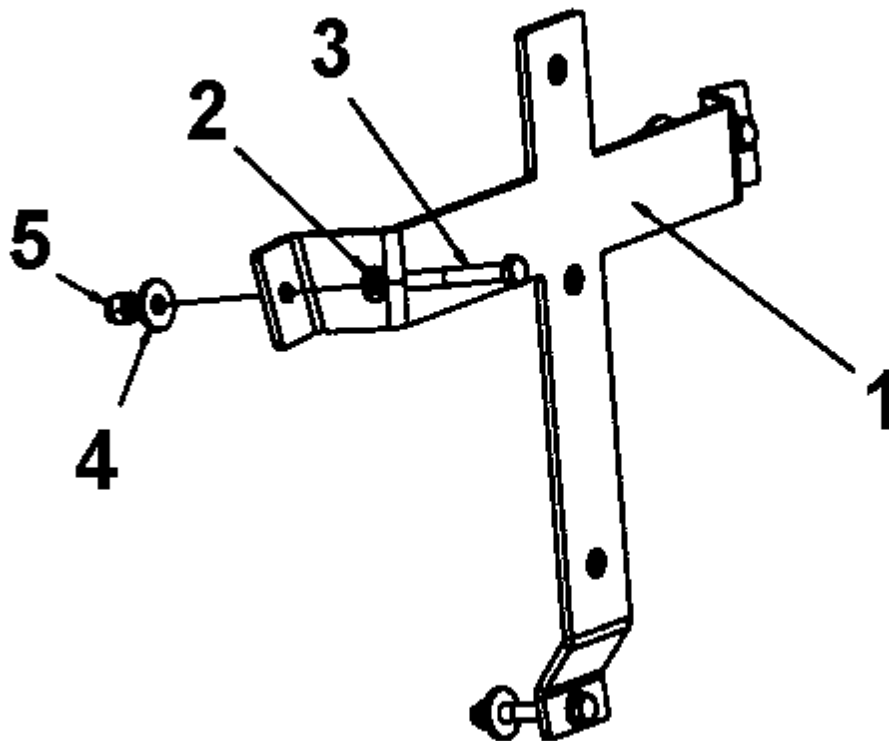
| Item | Part No. | Name | Qty | L | SN INFO |
|------|------------|--------------------------|-----|---|---------|
| 1 | - | Registration plate light | 1 | | |
| 2 | 4700928784 | Screw | 2 | | |
| 3 | 4700904735 | Steel plain washer | 2 | | |

Driving & side direction lights, number plate light, option Registration plate light



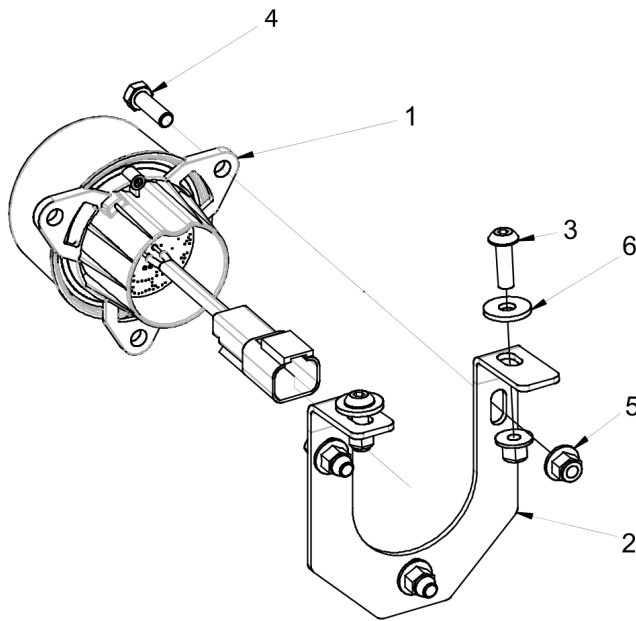
| Item | Part No. | Name | Qty | L | SN INFO |
|------|------------|----------------------|-----|---|---------|
| 1 | 4700355797 | Licence plate holder | 1 | | |
| 2 | 4700929455 | Licence plate light | 1 | | |
| 3 | 4700792354 | Bulb 24V 5W | 1 | | |
| 4 | 4700792035 | Push-on terminal | 2 | | |

Driving & side direction lights, number plate light, option Holder, Registration plate light



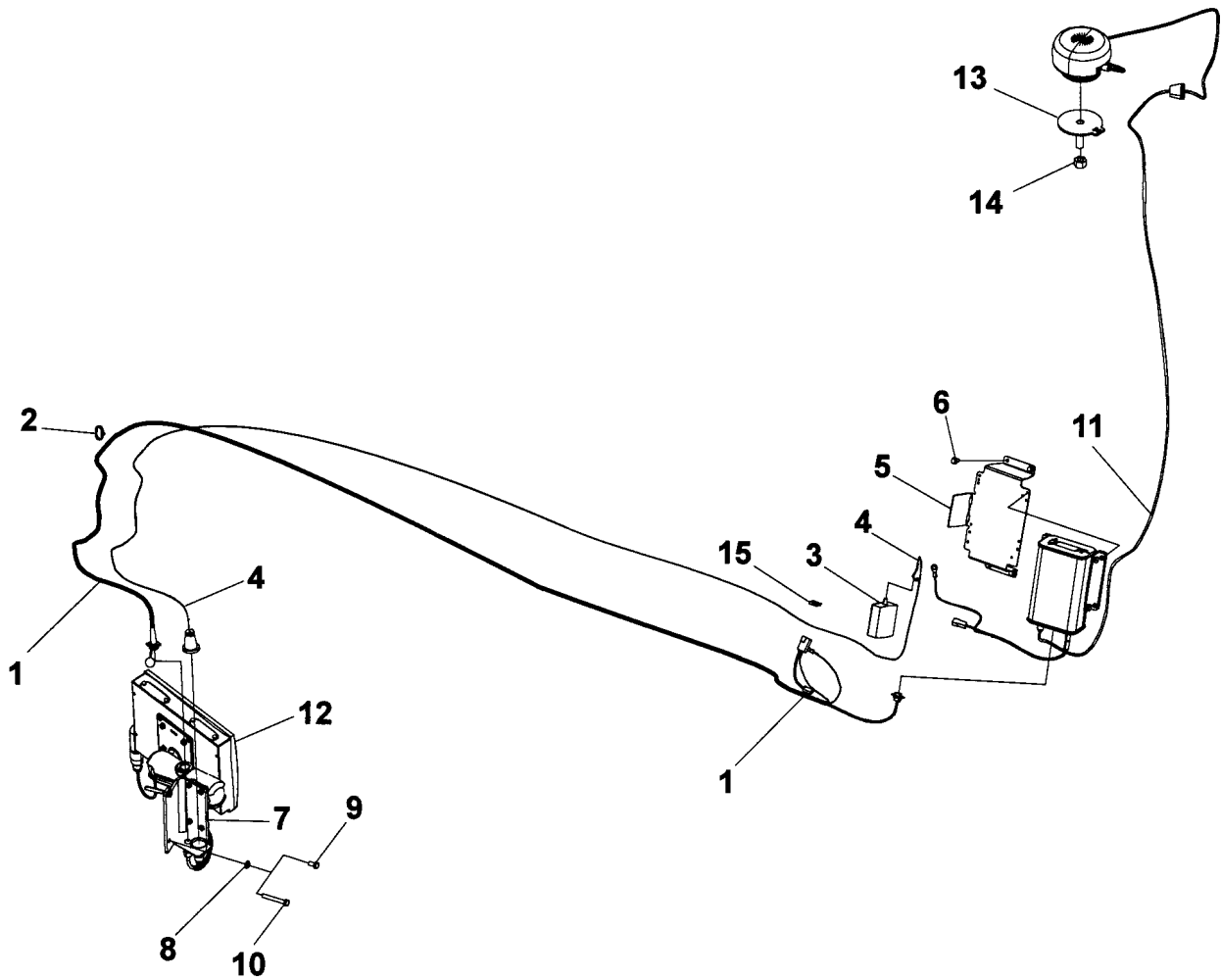
| Item | Part No. | Name | Qty | L | SN INFO |
|------|------------|------------------------|-----|---|---------|
| 1 | 4812112924 | Holder | 1 | | |
| 2 | 4700904281 | Washer, 5,3x10x1 300HV | 3 | | |
| 3 | 4700500010 | Screw | 3 | | |
| 4 | 4700601001 | Washer | 3 | | |
| 5 | 4700586001 | Lock nut | 3 | | |

Reversing light, option Reversing light module



| Item | Part No. | Name | Qty | L | SN INFO |
|------|------------|-------------------|-----|---|---------|
| 1 | 4812120334 | Reverse light LED | 1 | | |
| 2 | 4812120790 | Bracket | 1 | | |
| 3 | 4700904653 | Screw M5x16 A2-70 | 2 | | |
| 4 | 4700500006 | Hex. screw | 3 | | |
| 5 | 4700902284 | Nut M5 | 5 | | |
| 6 | 4700601001 | Washer | 2 | | |

DCA/GPS equipment module, option DCA/GPS equipment module, option



Refer to Parts Online for the most up to date information. The printed information might be outdated.

Fri Dec 11 01:18:37 MST 2015

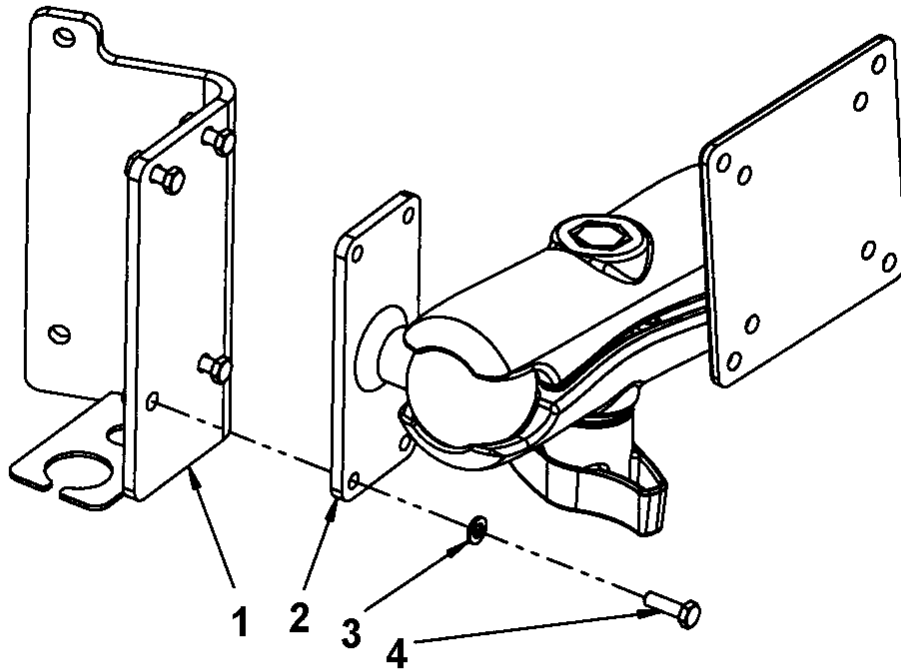
| Item | Part No. | Name | Qty | L | SN INFO |
|------|------------|-------------------------|-----|---|---------|
| 1 | 4812113167 | Cable harness | 1 | | |
| 2 | 4700313041 | Cable tie | 6 | | |
| 3 | 4700792660 | Gateway CAN/BUS | 1 | | |
| 4 | 4812115093 | Cable harness | 1 | | |
| 5 | 4700394276 | Bracket | 1 | | |
| 6 | 4700541702 | Screw M6x12 | 4 | | |
| 7 | - | Holder | 1 | | |
| 8 | 4700904229 | Steel plain washer | 2 | | |
| 9 | 4700500019 | Hex. screw | 2 | | |
| 10 | 4700500026 | Screw M8-1,25x60 mm 8.8 | 2 | A | |
| 11 | - | GPS equipment module | 1 | | |
| 12 | - | Computer | 1 | | |
| 13 | 4700394275 | Bracket | 1 | | |
| 14 | 4700570008 | Hex. nut | 1 | | |
| 15 | 4700901227 | Fuse 10A Red | 1 | | |

Comments for Page: DCA/GPS equipment module, option

(L)OCAL REMARKS

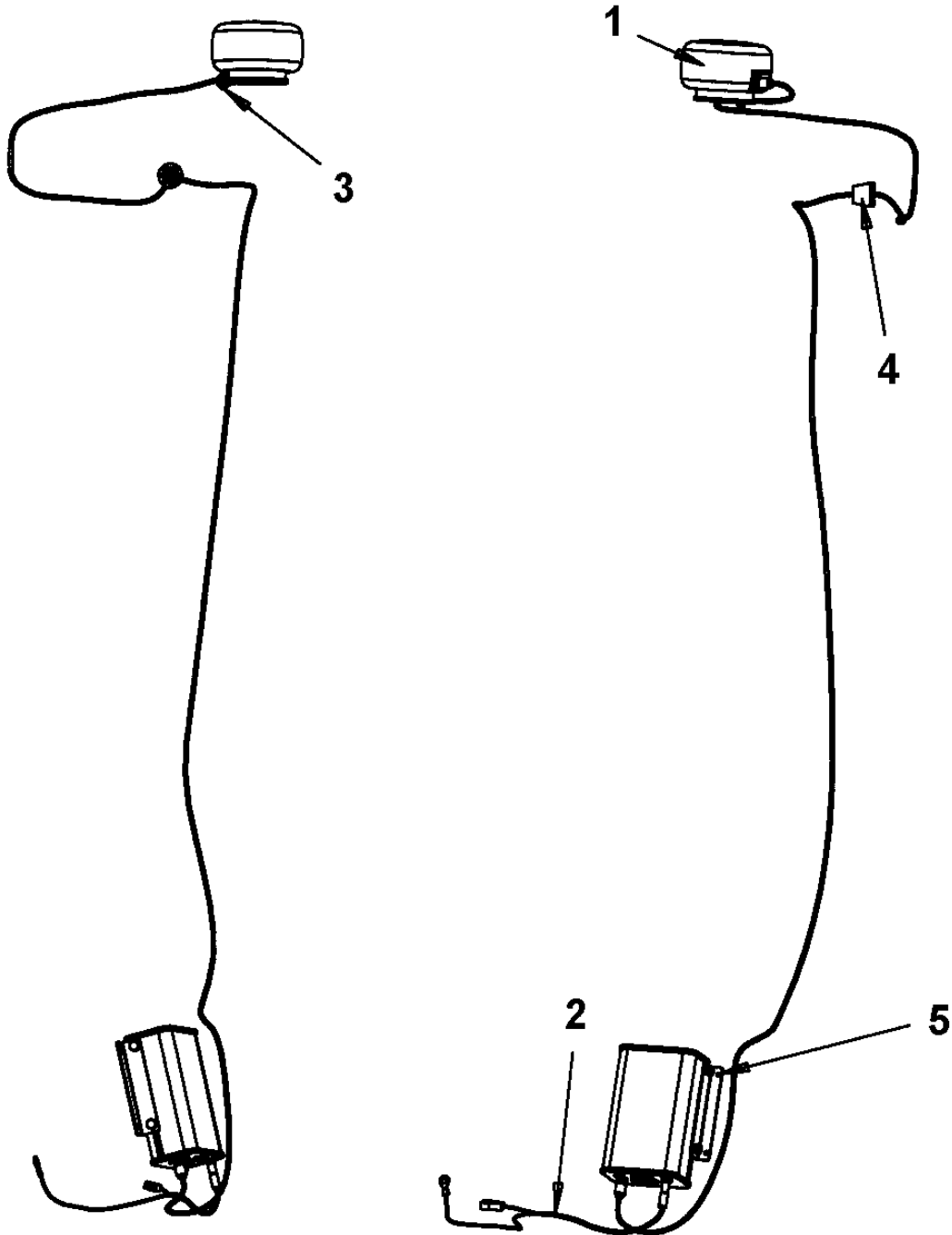
A | en_US | Used with comfort cab.

DCA/GPS equipment module, option Holder



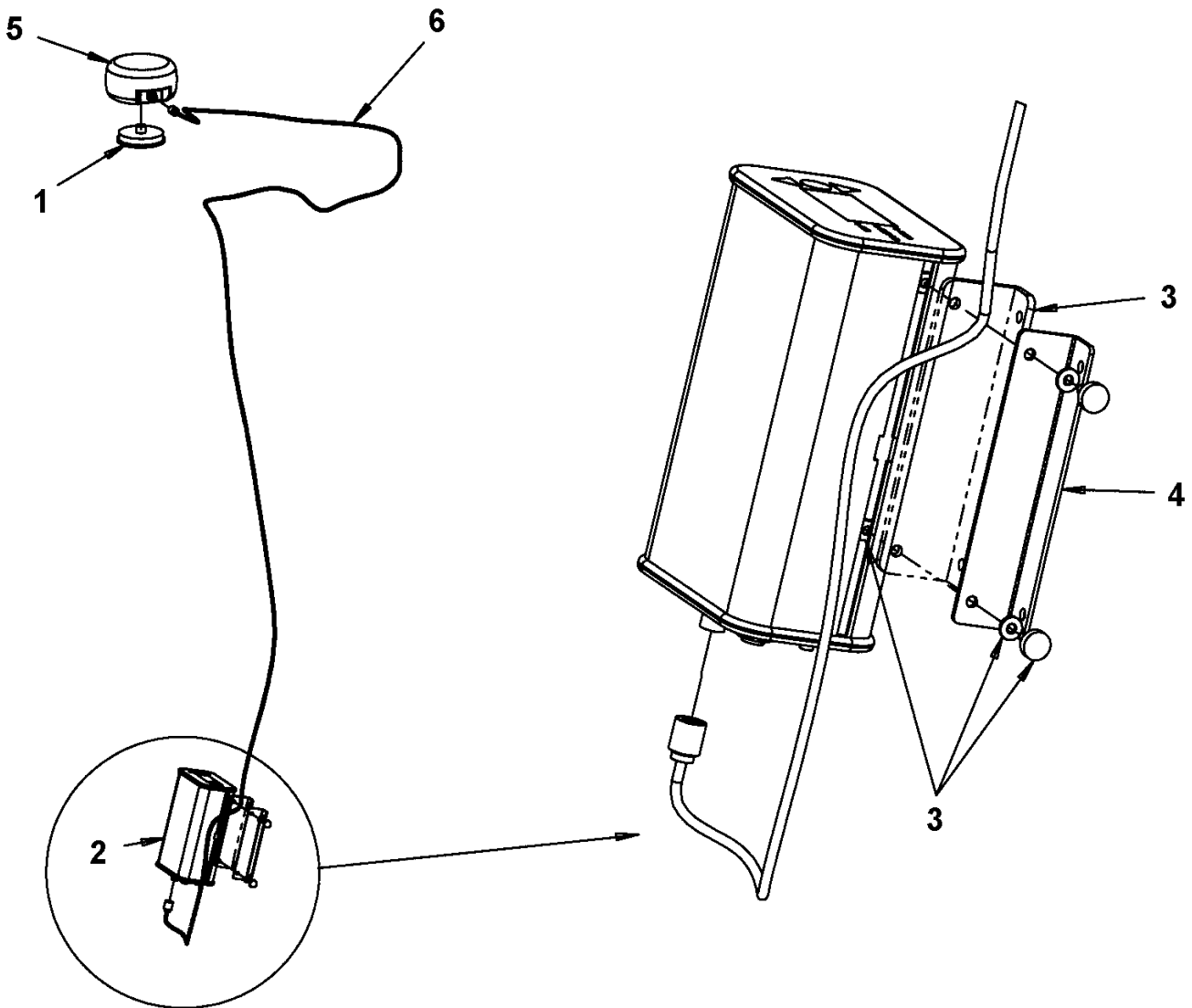
| Item | Part No. | Name | Qty | L | SN INFO |
|------|------------|-----------------------------|-----|---|---------|
| 1 | 4700395888 | Bracket | 1 | | |
| 2 | 4700394542 | Ball joint | 1 | | |
| 3 | 4700904228 | Washer 6.4x12x1.5 mm 300 HV | 4 | | |
| 4 | 4700500040 | Screw, M6x20 mm 8.8 A2K | 4 | | |

DCA/GPS equipment module, option GPS equipment module



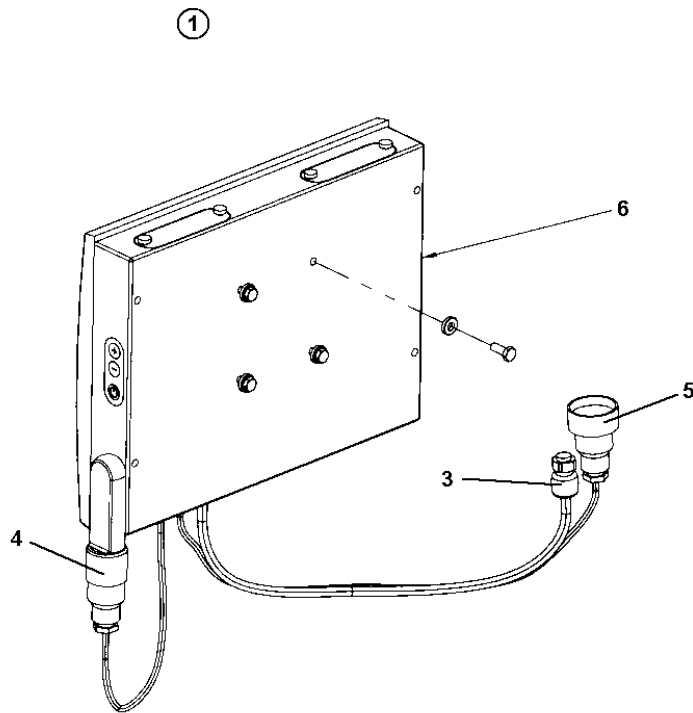
| Item | Part No. | Name | Qty | L | SN INFO |
|------|------------|-----------------------|-----|---|---------|
| 1 | - | GPS equipment assy | 1 | | |
| 2 | 4812113238 | Cable harness | 1 | | |
| 3 | 4700313041 | Cable tie | N | | |
| 4 | 4700792392 | Grommet with membrane | 1 | | |
| 5 | 4700792210 | Screw torx | 4 | | |

DCA/GPS equipment module, option GPS equipment assy

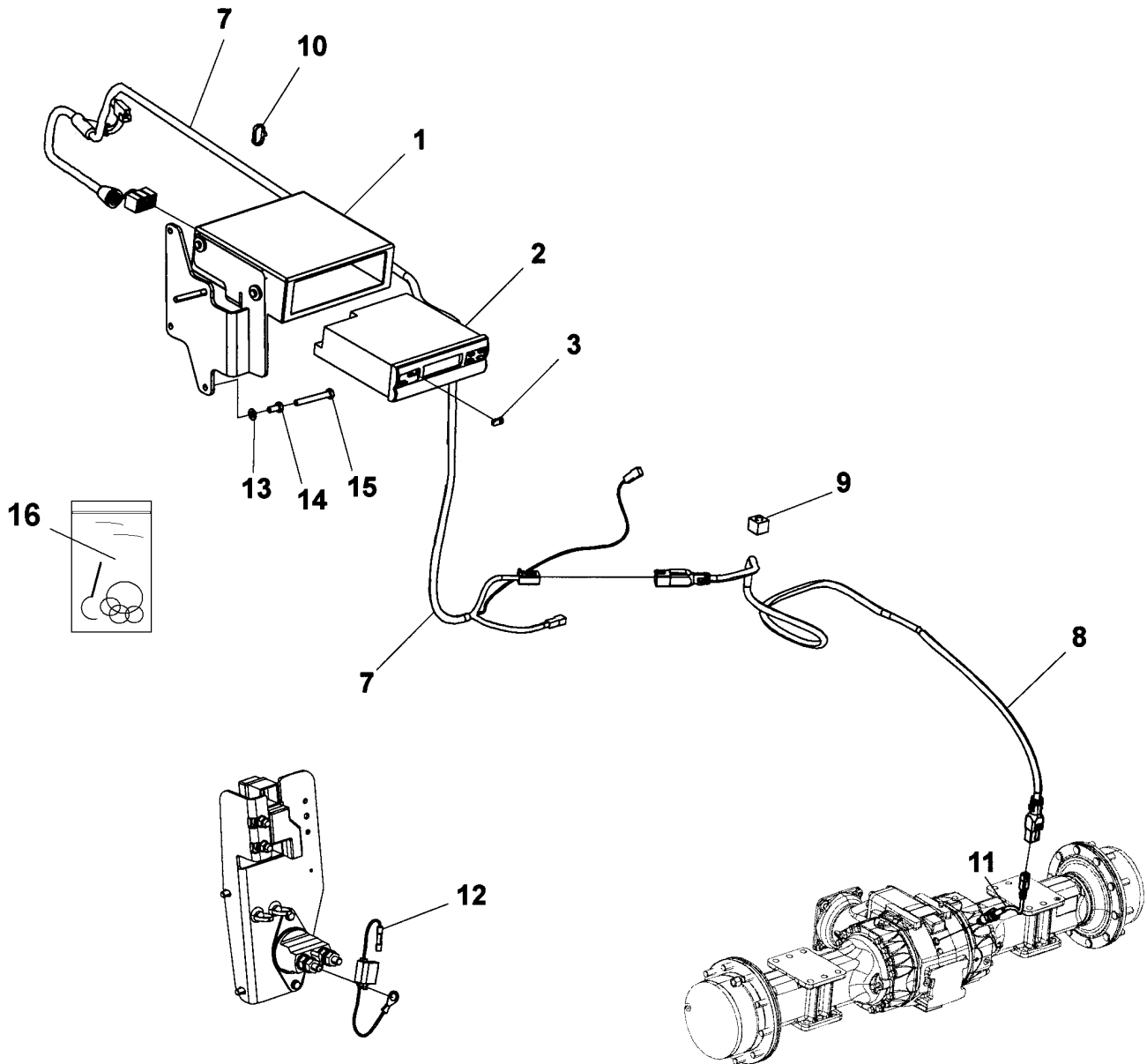


| Item | Part No. | Name | Qty | L | SN INFO |
|------|------------|--------------|-----|---|---------|
| 1 | 4812113160 | Bracket | 1 | | |
| 2 | 4812114146 | Reciever | 1 | | |
| 3 | 4811000395 | Bracket | 1 | | |
| 4 | 4812114156 | Holder | 2 | | |
| 5 | 4812113058 | Antenna | 1 | | |
| 6 | 4812113158 | Antenna lead | 1 | | |

DCA/GPS equipment module, option Computer



| Item | Part No. | Name | Qty | L | SN INFO |
|------|------------|------------------------|-----|---|---------|
| 1 | 4700396119 | Computer, cpl. | 1 | | |
| 2 | 4700792795 | Voltage adapter | 1 | | |
| 3 | 4700792761 | Power and serial cable | 1 | | |
| 4 | 4700792762 | USB cable L = 300mm | 1 | | |
| 5 | 4700792763 | USB cable L = 500mm | 1 | | |
| 6 | 4700396536 | Computer | 1 | | |

Tachograph, option Tachograph, option

Refer to Parts Online for the most up to date information. The printed information might be outdated.

Fri Dec 11 01:18:39 MST 2015

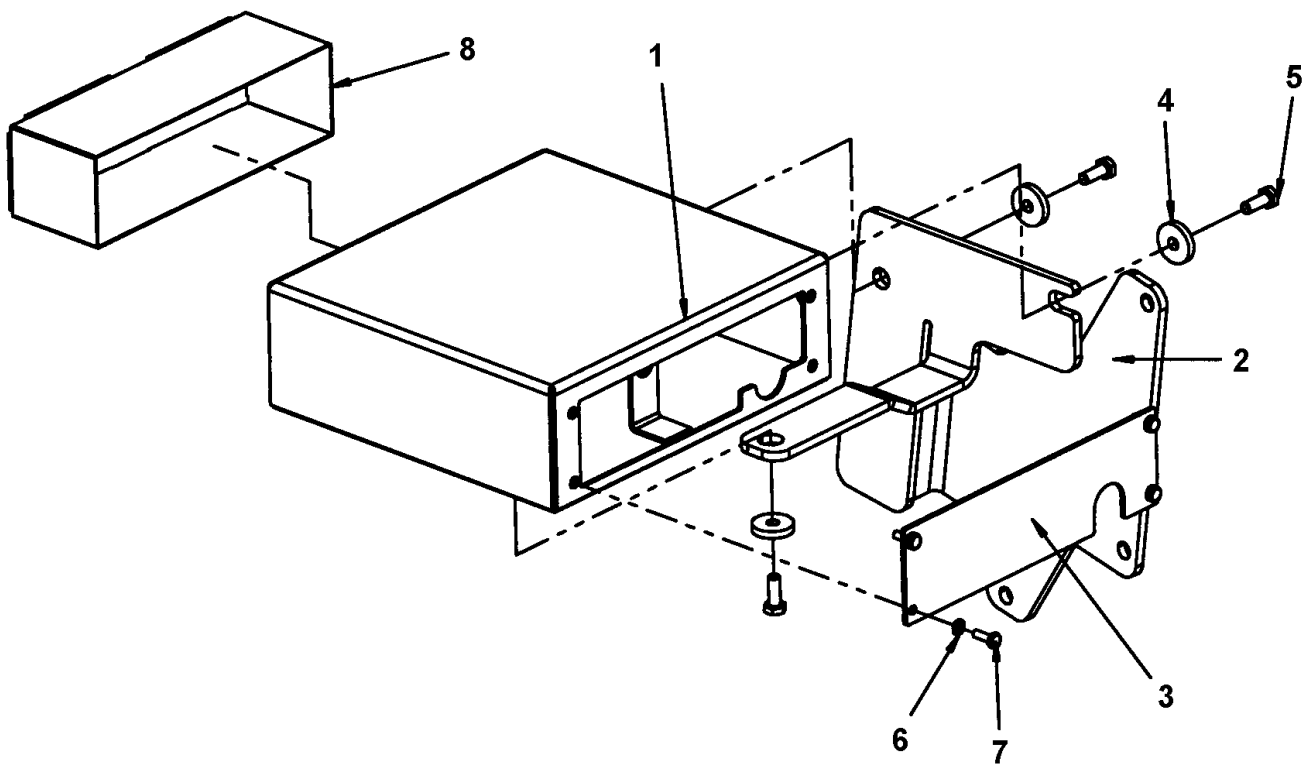
| Item | Part No. | Name | Qty | L | SN INFO |
|------|------------|-------------------------|-----|---|---------|
| 1 | - | Holder assy | 1 | | |
| 2 | 4811000292 | Tachograph | 1 | | |
| 3 | 4811000529 | Cover cap | 1 | | |
| 7 | 4812112417 | Cable harness | 1 | | |
| 8 | 4812112917 | Cable harness | 1 | | |
| 9 | 4812112068 | Cable entry insert | 1 | | |
| 10 | 4700313041 | Cable tie | 3 | | |
| 11 | 4812112419 | Pulse sensor cpl | 1 | | |
| 12 | - | Power supply module | 1 | | |
| 13 | 4700904229 | Steel plain washer | 2 | | |
| 14 | 4700500019 | Hex. screw | 2 | | |
| 15 | 4700500026 | Screw M8-1,25x60 mm 8.8 | 2 | A | |
| 16 | 4812118625 | Seal kit | 1 | | |

Comments for Page: Tachograph, option

(L)OCAL REMARKS

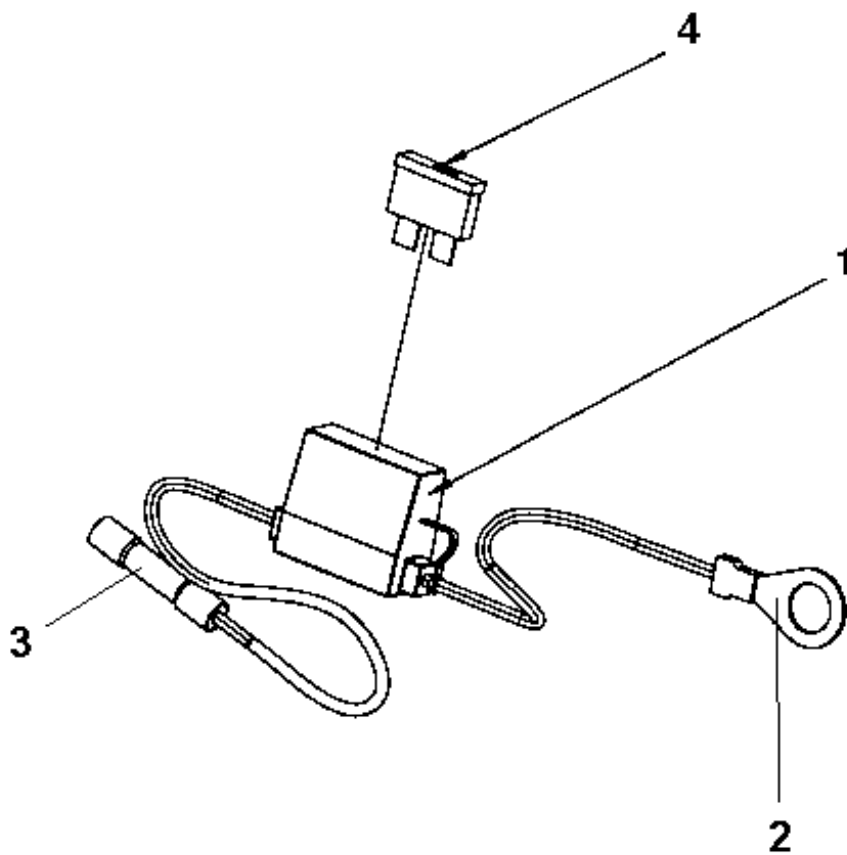
A | en_US | Used with comfort cab.

Tachograph, option Holder assy



| Item | Part No. | Name | Qty | L | SN INFO |
|------|------------|----------------------|-----|---|---------|
| 1 | 4812118641 | Holder | 1 | | |
| 2 | 4812112837 | Holder | 1 | | |
| 3 | 4812112838 | Cover | 1 | | |
| 4 | 4700904735 | Steel plain washer | 3 | | |
| 5 | 4700500013 | Hex. screw | 3 | | |
| 6 | 4700904698 | Steel plain washer | 4 | | |
| 7 | 4700500002 | Screw M4-0,7x12H 8.8 | 4 | | |
| 8 | 4812118624 | Mounting frame | 1 | | |

Tachograph, option Power supply module



| Item | Part No. | Name | Qty | L | SN INFO |
|------|------------|-----------------|-----|---|---------|
| 1 | 4700904015 | Fuse holder | 1 | | |
| 2 | 4700960067 | Cable clip | 1 | | |
| 3 | 4700904024 | Splicing sleeve | 1 | | |
| 4 | 4700901227 | Fuse 10A Red | 1 | | |

Speed sensor, frequency sensor, option Speed sensor, frequency sensor, option



| Item | Part No. | Name | Qty | L | SN INFO |
|------|------------|-----------------------------|-----|------|---------|
| 1 | 4812112062 | Cable harness | 1 | A | |
| 2 | 4812112227 | Cable harness | 1 | B, E | |
| 3 | 4812112231 | Cable harness | 1 | B, E | |
| 4 | 4812112229 | Cable harness | 1 | C | |
| 5 | 4812111268 | Cable harness | 1 | D | |
| 6 | 4700921078 | Clamp | 1 | | |
| 7 | 4700904228 | Washer 6.4x12x1.5 mm 300 HV | 1 | | |
| 8 | 4700500015 | Hex. screw | 1 | | |
| 9 | 4700313041 | Cable tie | 2 | | |
| 10 | - | Pulse sensor module | 1 | D | |
| 11 | 4812112419 | Pulse sensor cpl | 1 | B | |
| 12 | 4700396601 | Speed sensor | 2 | | |

Comments for Page: Speed sensor, frequency sensor, option

(L)OCAL REMARKS

A | en_US | Displacement shift front.

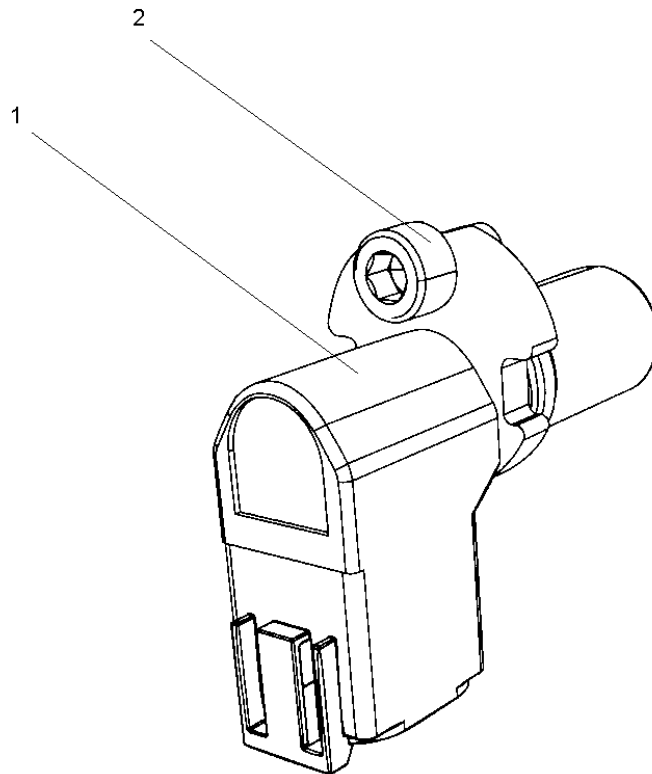
B | en_US | Speed sensor.

C | en_US | Displacement shift rear.

D | en_US | Frequency sensor.

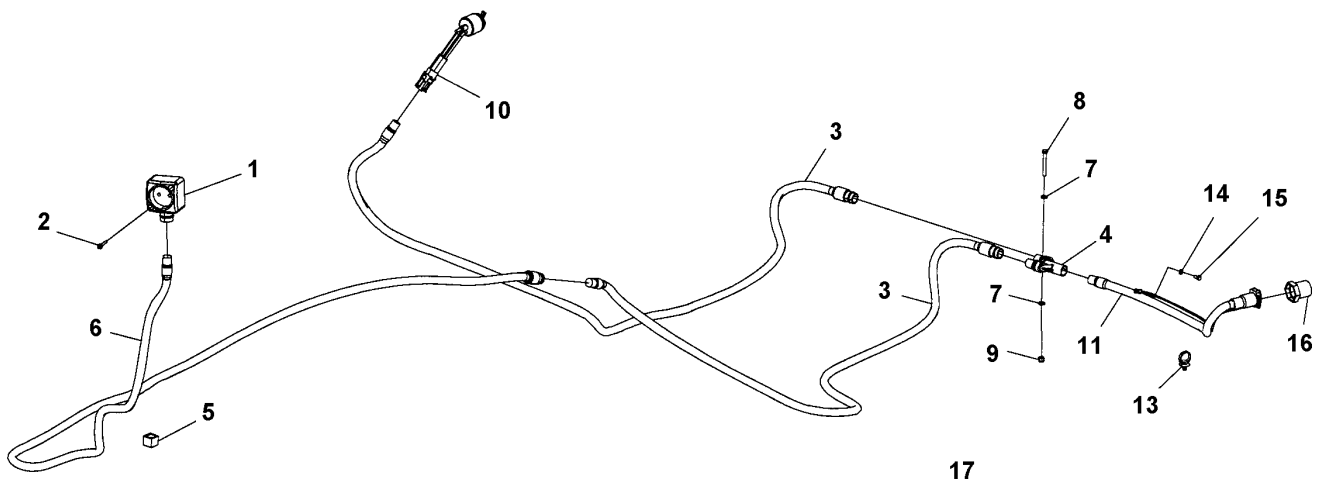
E | en_US | Anti-spin, option.

Speed sensor, frequency sensor, option Pulse sensor module



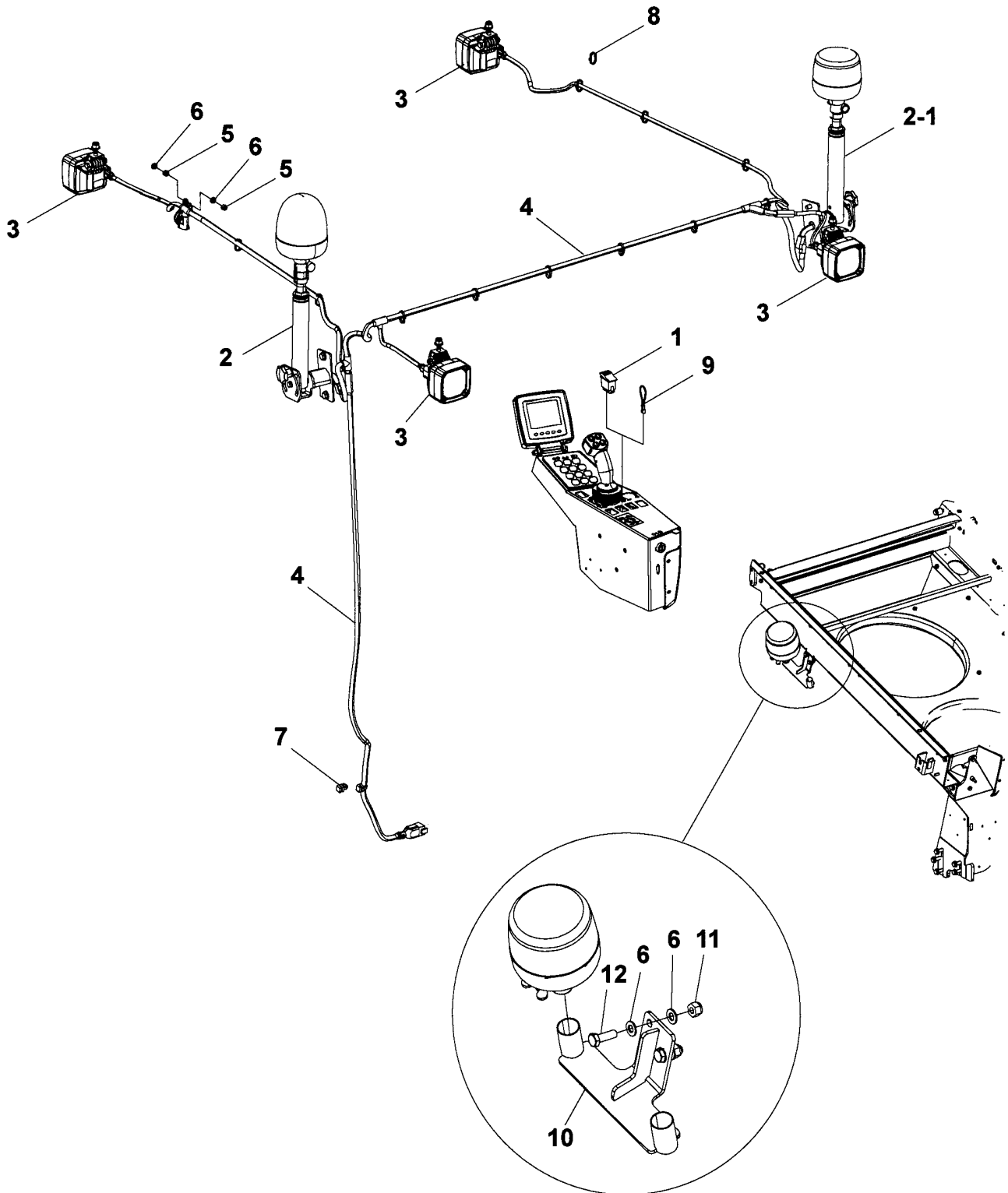
| Item | Part No. | Name | Qty | L | SN INFO |
|------|------------|--------------|-----|---|---------|
| 1 | 4700396601 | Speed sensor | 1 | | |
| 2 | 4700508001 | Screw M6x12 | 1 | | |

Pre-heater installation, option Pre-heater installation, option



| Item | Part No. | Name | Qty | L | SN INFO |
|------|------------|-----------------------------|-----|---|---------|
| 1 | 4700396044 | Connector | 1 | | |
| 2 | 4700792186 | Thread forming screw | 2 | | |
| 3 | 4700396047 | Cable | 2 | | |
| 4 | 4700396043 | Branching | 1 | | |
| 5 | 4812112071 | Cable entry insert | 1 | | |
| 6 | 4700396047 | Cable | 1 | | |
| 7 | 4700904228 | Washer 6.4x12x1.5 mm 300 HV | 2 | | |
| 8 | 4700500079 | Screw M6-1x50 8,8 | 1 | | |
| 9 | 4700586002 | Lock nut M6 -8 | 1 | | |
| 10 | 4812113162 | Heater | 1 | | |
| 11 | 4811000316 | Cable | 1 | | |
| 13 | 4700792441 | Cable tie with holder | 4 | | |
| 14 | 4700904281 | Washer, 5,3x10x1 300HV | 1 | | |
| 15 | 4700500003 | Hex. screw | 1 | | |
| 16 | 4812114984 | Nut | 1 | | |
| 17 | 4700396048 | Cable | 1 | | |

Rotating beacon, working light, option Rotating beacon, working light, option



Refer to Parts Online for the most up to date information. The printed information might be outdated.

Fri Dec 11 01:18:42 MST 2015

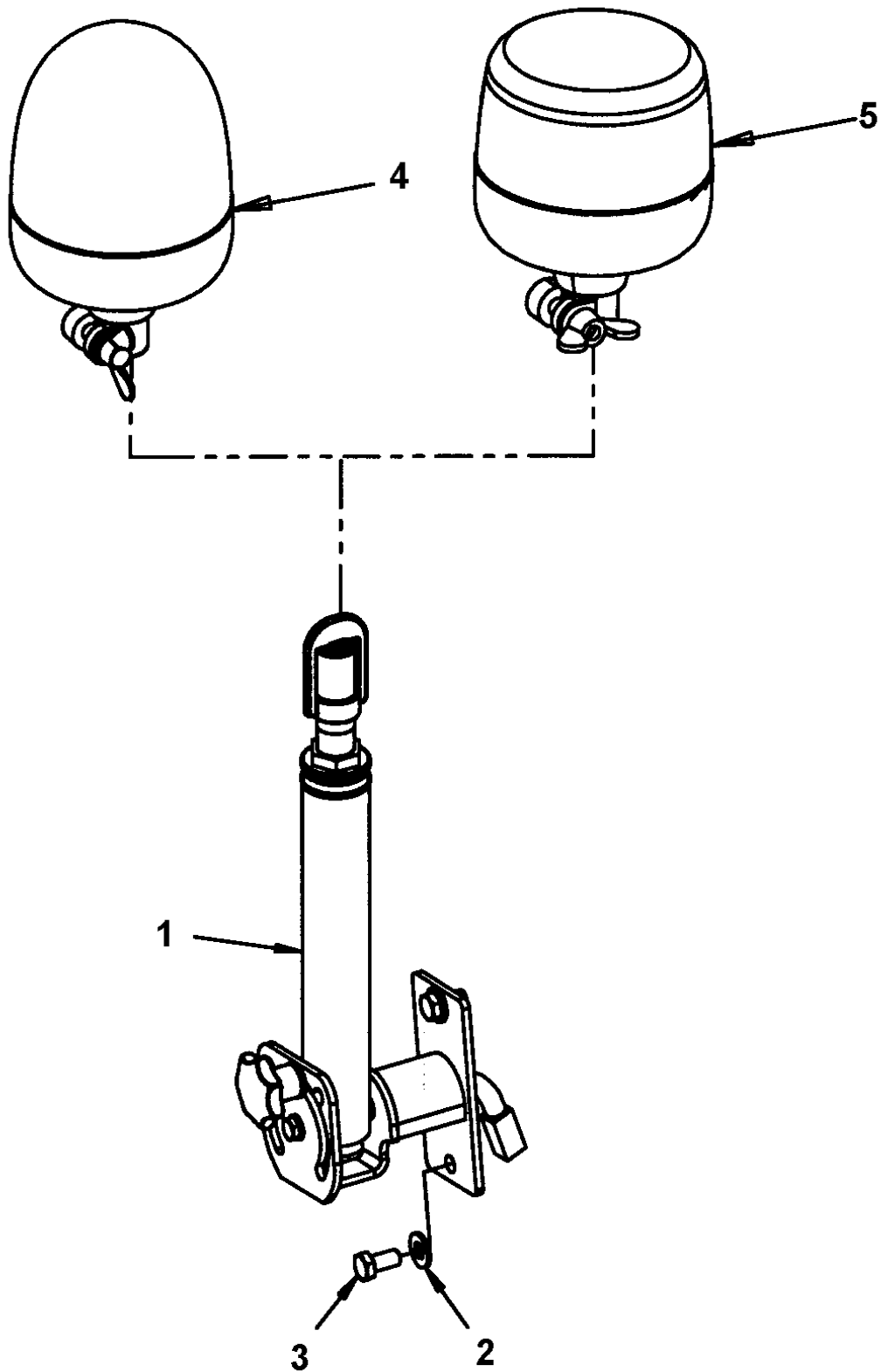
| Item | Part No. | Name | Qty | L | SN INFO |
|------|------------|-------------------------|-----|---|---------|
| 1 | 4700792397 | Switch | 1 | | |
| 2 | - | Rotating beacon module | 1 | | |
| 2-1 | - | Rotating beacon module | 2 | A | |
| 3 | 4812121468 | Working light, LED | 4 | | |
| 3 | - | Working light module H3 | 4 | | |
| 4 | 4812112325 | Cable harness | 1 | | |
| 5 | 4700570005 | Hexagon nut | 2 | | |
| 6 | 4700904229 | Steel plain washer | 6 | | |
| 7 | 4700792667 | Cable tie holder | 1 | | |
| 8 | 4700313041 | Cable tie | N | | |
| 9 | 4811000077 | Connection cable | 1 | | |
| 10 | 4812116799 | Holder | 1 | | |
| 11 | 4700586003 | Nut, M8 | 2 | | |
| 12 | 4700500021 | Hex. screw | 2 | | |

Comments for Page: Rotating beacon, working light, option

(L)OCAL REMARKS

A | en_US | Dual LED

Rotating beacon, working light, option Rotating beacon module



Refer to Parts Online for the most up to date information. The printed information might be outdated.

Fri Dec 11 01:18:43 MST 2015

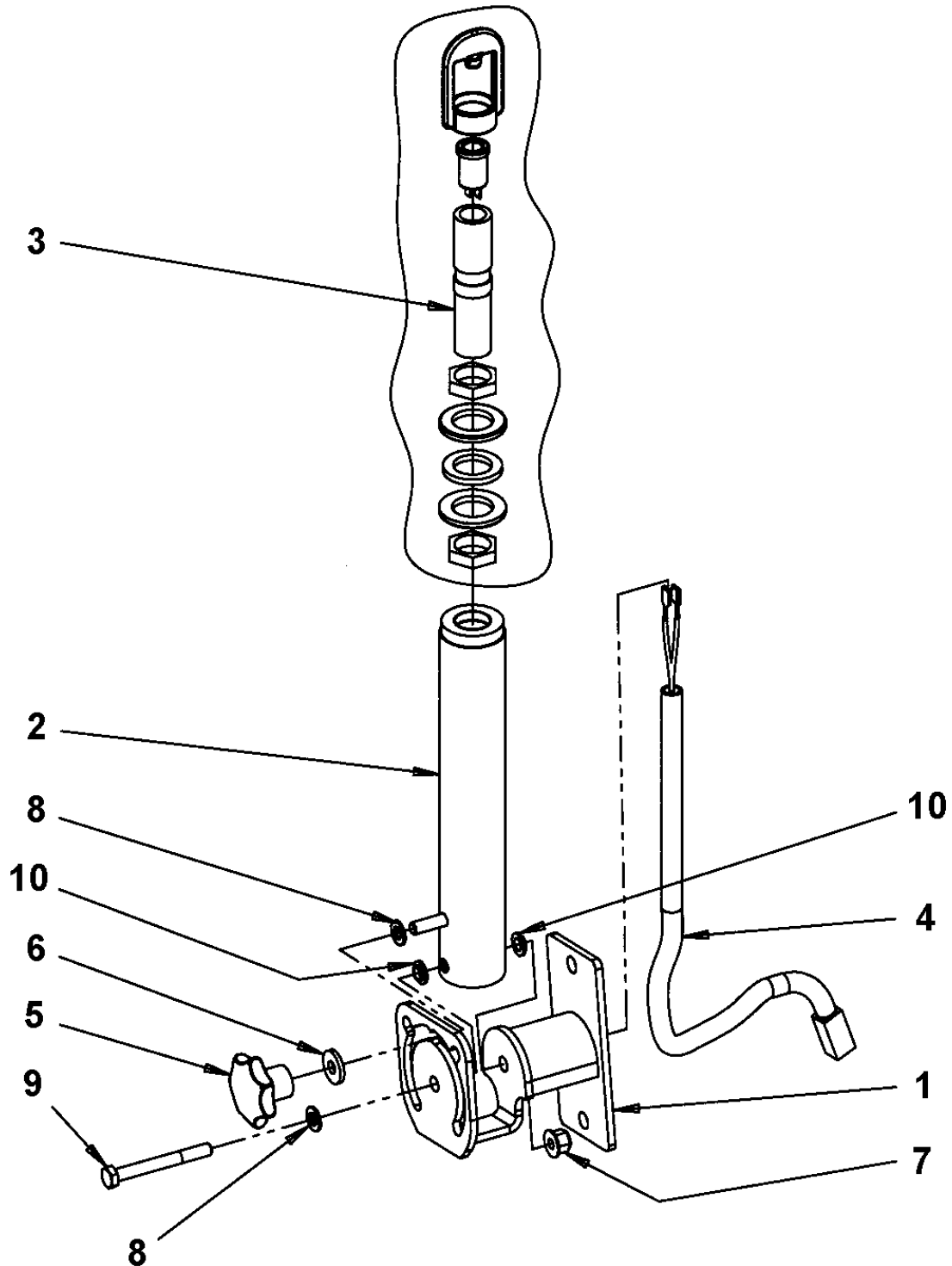
| Item | Part No. | Name | Qty | L | SN INFO |
|------|------------|----------------------------|-----|---|---------|
| 1 | - | Bracket, Rotating beacon | 1 | | |
| 2 | 4700904230 | Washer 10.5x22x2 mm 300 HV | 2 | | |
| 3 | 4700500048 | Screw, M10x20 mm 8.8 A3K | 2 | | |
| 4 | 4812111326 | Rotating beacon | 1 | | |
| 4 | 4812156777 | Bulb | 1 | | |
| 5 | 4812121848 | Rotating beacon, LED | 1 | A | |

Comments for Page: Rotating beacon module

(L)OCAL REMARKS

A | en_US | Dual LED

Rotating beacon, working light, option Bracket, Rotating beacon



Refer to Parts Online for the most up to date information. The printed information might be outdated.

Fri Dec 11 01:18:44 MST 2015

| Item | Part No. | Name | Qty | L | SN INFO |
|------|------------|---------------------------|-----|---|---------|
| 1 | 4812116622 | Bracket | 1 | | |
| 2 | 4812112460 | Bracket | 1 | | |
| 2 | 4812120468 | Bracket | 1 | A | |
| 3 | 4700392321 | Bracket | 1 | | |
| 3 | 4812120469 | Bracket | 1 | B | |
| 4 | 4812115020 | Wiring harness | 1 | | |
| 5 | 4700792410 | Hand knob nut | 1 | | |
| 6 | 4700904640 | Washer, 8.4x22x3 mm 300HV | 1 | | |
| 7 | 4700902286 | Lock nut, M8x1.25 mm A2K | 1 | | |
| 8 | 4700904229 | Steel plain washer | 2 | | |
| 9 | 4700500189 | Screw | 1 | | |
| 10 | 4812112774 | Bushing | 2 | | |

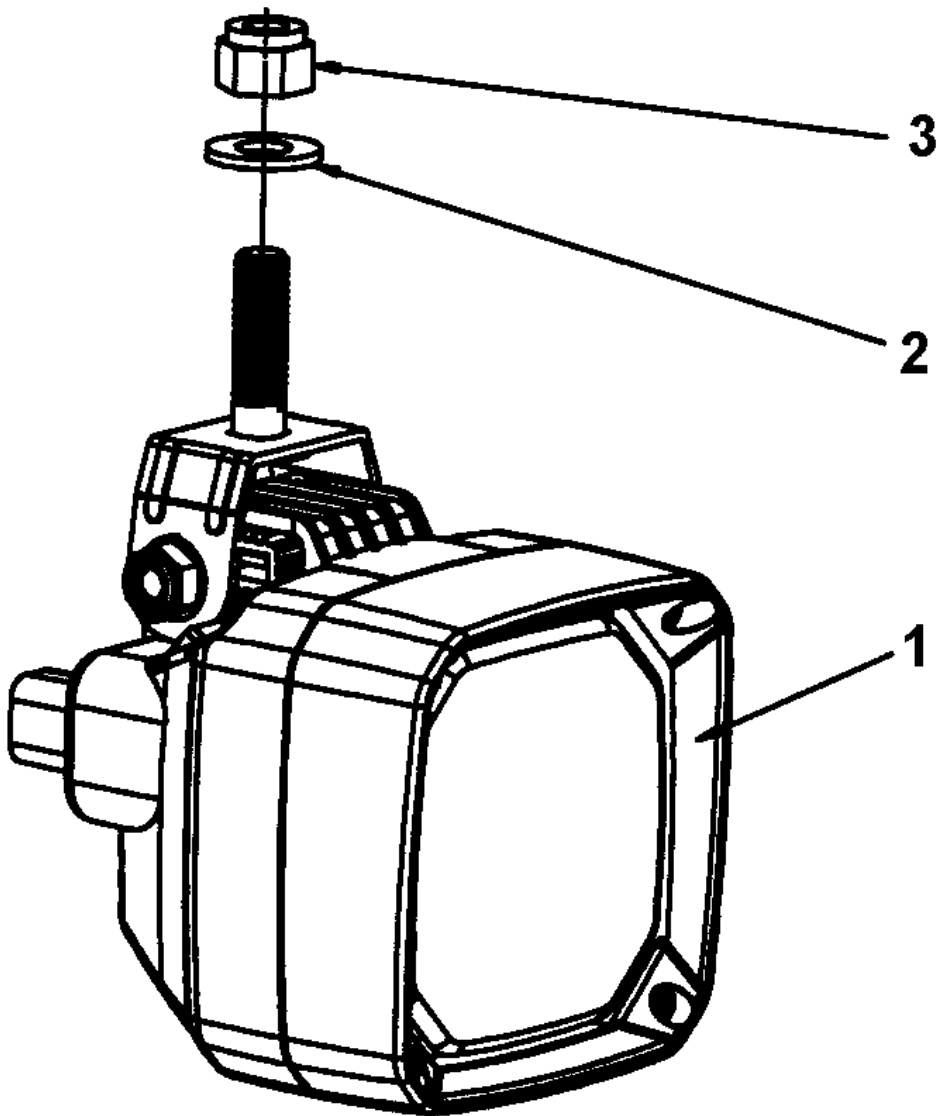
Comments for Page: Bracket, Rotating beacon

(L)OCAL REMARKS

A | en_US | interchangeable with part 4812120469

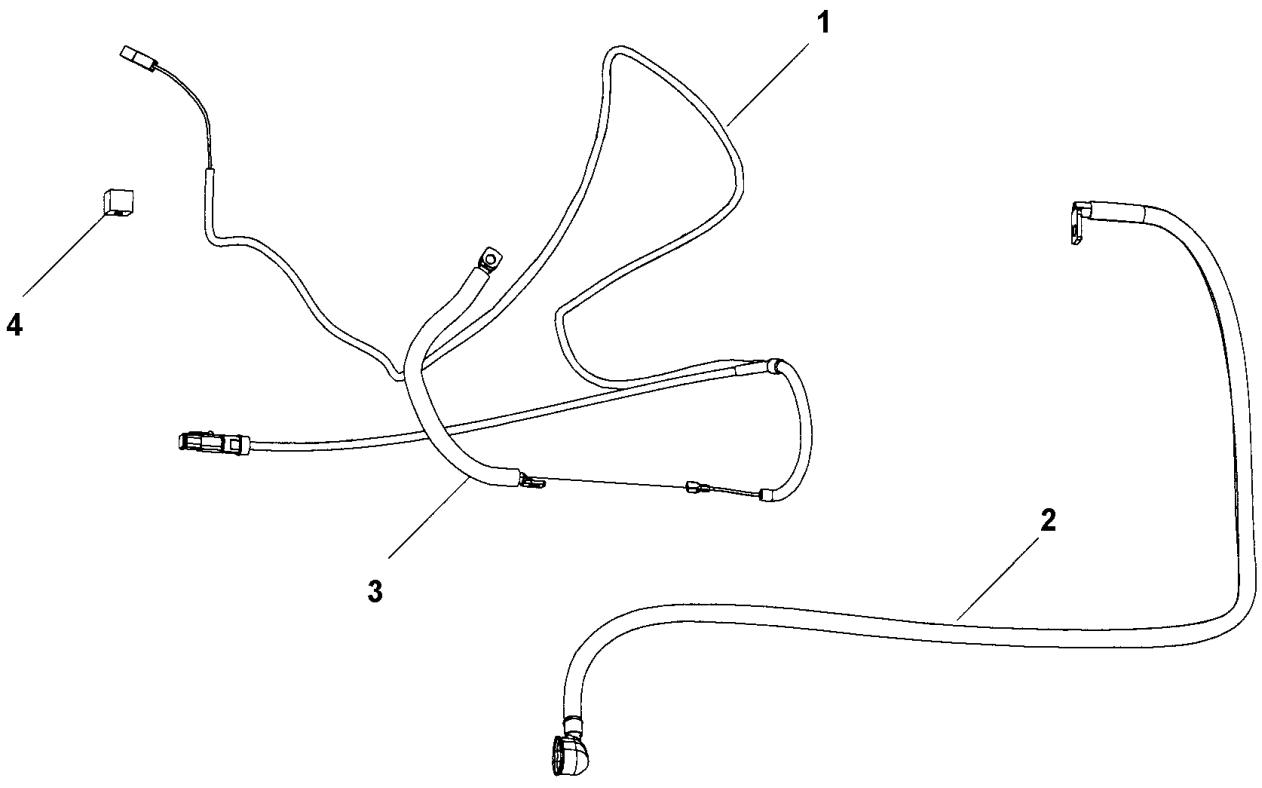
B | en_US | interchangeable with part 4812120468

Rotating beacon, working light, option Working light module H3



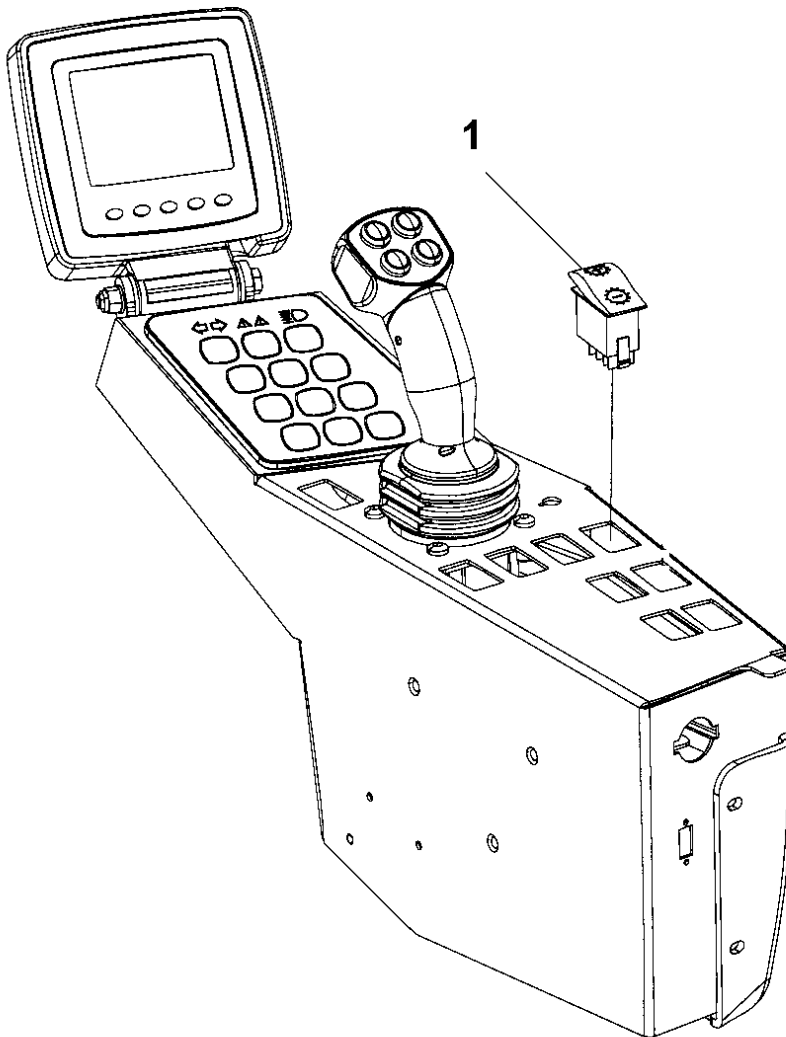
| Item | Part No. | Name | Qty | L | SN INFO |
|------|------------|----------------------------|-----|---|---------|
| 1 | 4812114720 | Working light | 1 | | |
| 2 | 4700904230 | Washer 10.5x22x2 mm 300 HV | 1 | | |
| 3 | 4700586018 | Lock nut, M10 | 1 | | |

Cable harness, emergency steering, option Cable harness, emergency steering, option



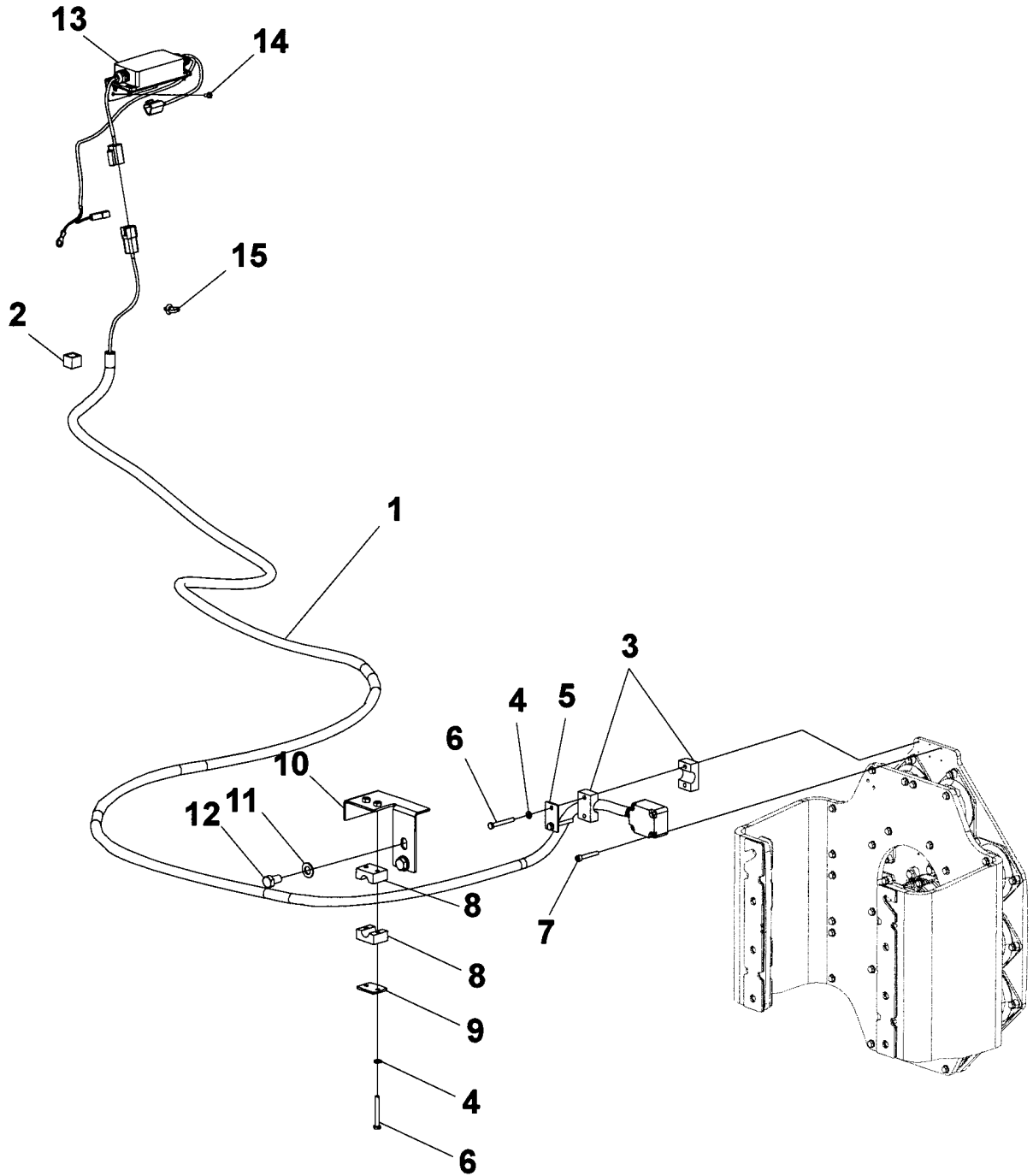
| Item | Part No. | Name | Qty | L | SN INFO |
|------|------------|--------------------------|-----|---|---------|
| 1 | 4812113086 | Cable harness | 1 | | |
| 2 | 4811000397 | Connection cable, coarse | 1 | | |
| 3 | 4811000396 | Connection cable, coarse | 1 | | |
| 4 | 4812114433 | Cable entry insert | 1 | | |

Displacement shift Displacement shift



| Item | Part No. | Name | Qty | L | SN INFO |
|------|------------|----------------------------|-----|---|---------|
| 1 | 4812115810 | Switch, displacement shift | 1 | | |

Compaction meter, option Compaction meter, option

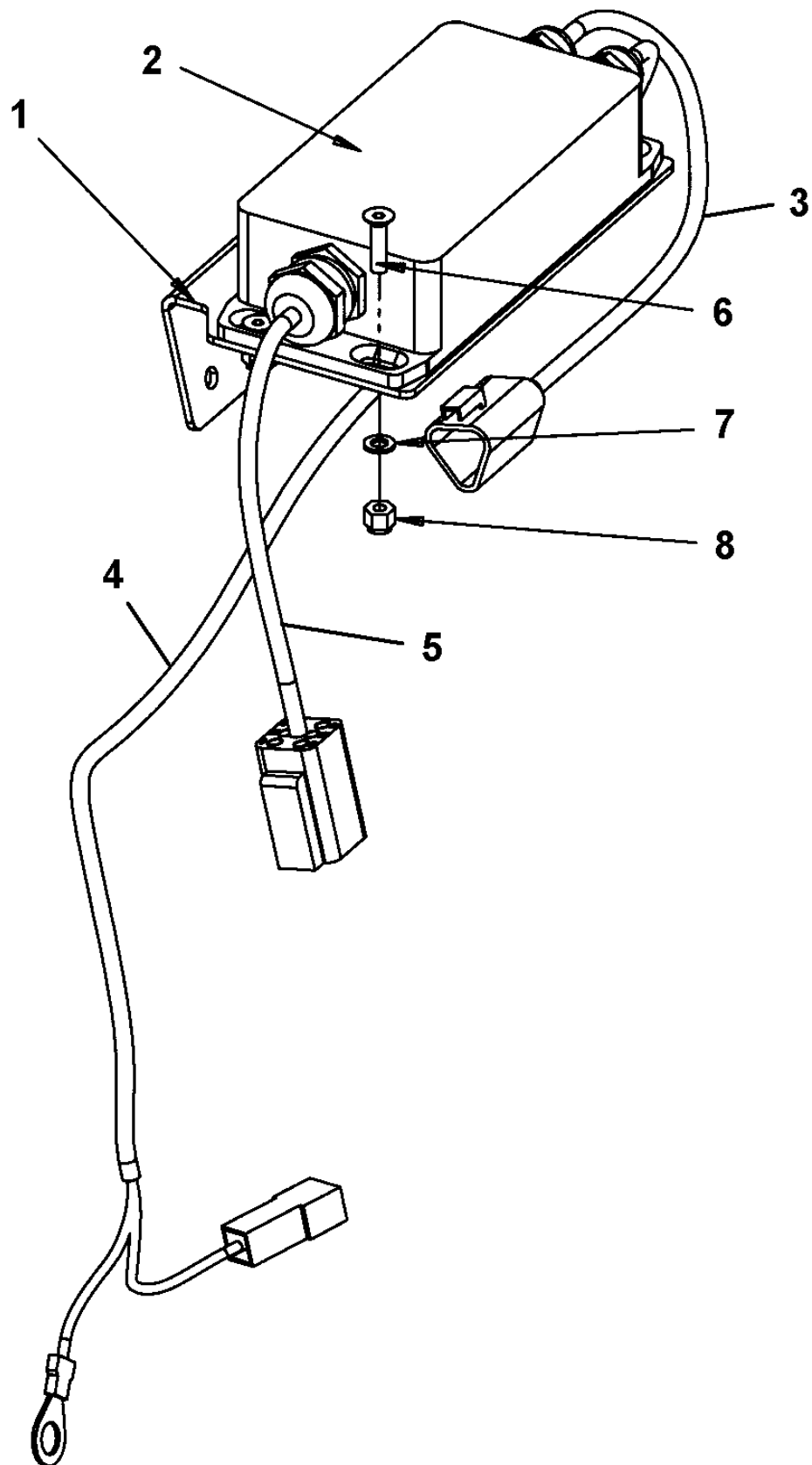


Refer to Parts Online for the most up to date information. The printed information might be outdated.

Fri Dec 11 01:18:45 MST 2015

| Item | Part No. | Name | Qty | L | SN INFO |
|------|------------|---------------------------------------|-----|---|---------|
| 1 | 4812115921 | Dcm unit | 1 | | |
| 2 | 4812112072 | Cable entry insert | 1 | | |
| 3 | 4700923876 | Clamp | 1 | | |
| 4 | 4700904228 | Washer 6.4x12x1.5 mm 300 HV | 8 | | |
| 5 | 4700923859 | Cover plate | 1 | | |
| 6 | 4700500079 | Screw M6-1x50 8,8 | 4 | | |
| 7 | 4700508026 | Cylinder screw | 4 | | |
| 8 | 4700791453 | Pipe clamp block | 2 | | |
| 9 | 4700791454 | Cover plate | 1 | | |
| 10 | 4812116181 | Bracket | 1 | | |
| 11 | 4700904231 | Steel plain washer, 13x24x2 mm 300 HV | 2 | | |
| 12 | 4700500035 | Hexagon screw, M12x20H | 2 | | |
| 13 | - | Power supply | 1 | | |
| 14 | 4700792210 | Screw torx | 2 | | |
| 15 | 4700792441 | Cable tie with holder | 2 | | |

Compaction meter, option Power supply

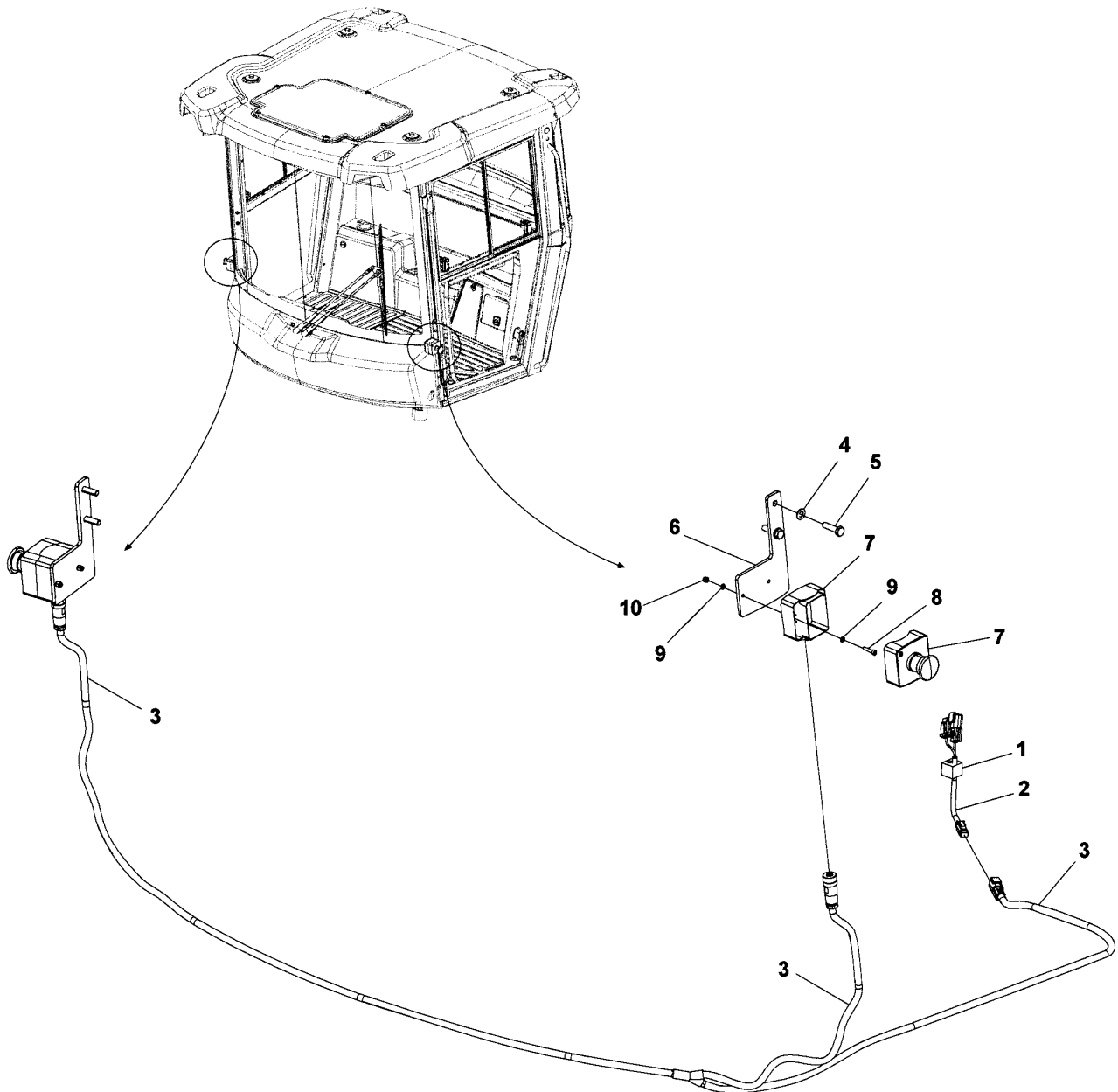


Refer to Parts Online for the most up to date information. The printed information might be outdated.

Fri Dec 11 01:18:46 MST 2015

| Item | Part No. | Name | Qty | L | SN INFO |
|------|------------|--------------------|-----|---|---------|
| 1 | 4812112792 | Holder | 1 | | |
| 2 | 4812113123 | Power supply unit | 1 | | |
| 3 | 4812112640 | Cable harness | 1 | | |
| 4 | 4812112641 | Cable harness | 1 | | |
| 5 | 4812112642 | Cable harness | 1 | | |
| 6 | 4700513027 | Screw M4x16H 10,9 | 4 | | |
| 7 | 4700904698 | Steel plain washer | 4 | | |
| 8 | 4700923976 | Lock nut | 4 | | |

External emergency stop, option External emergency stop, option

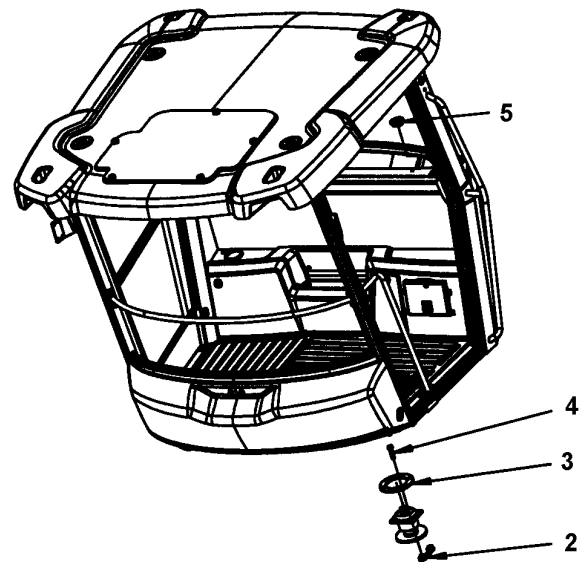
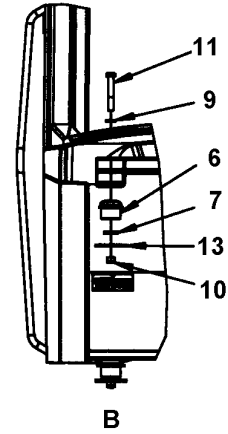
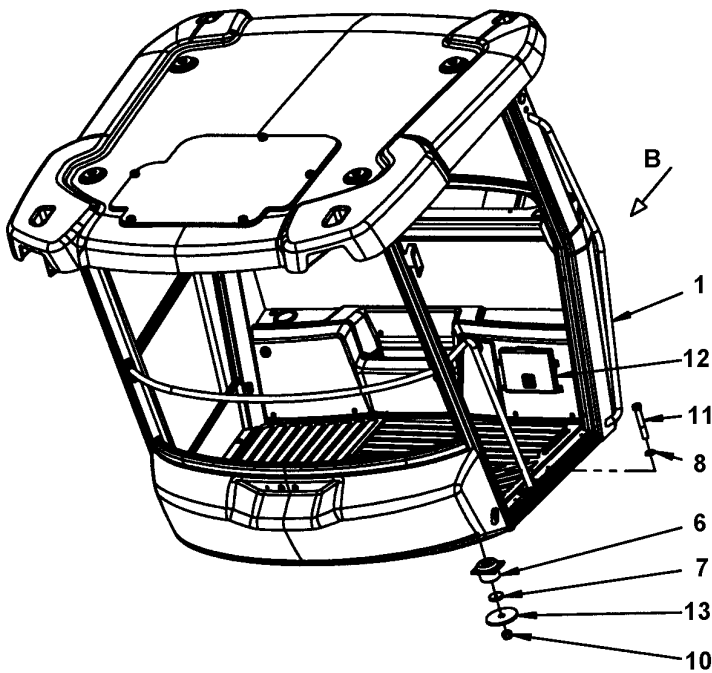


Refer to Parts Online for the most up to date information. The printed information might be outdated.

Fri Dec 11 01:18:46 MST 2015

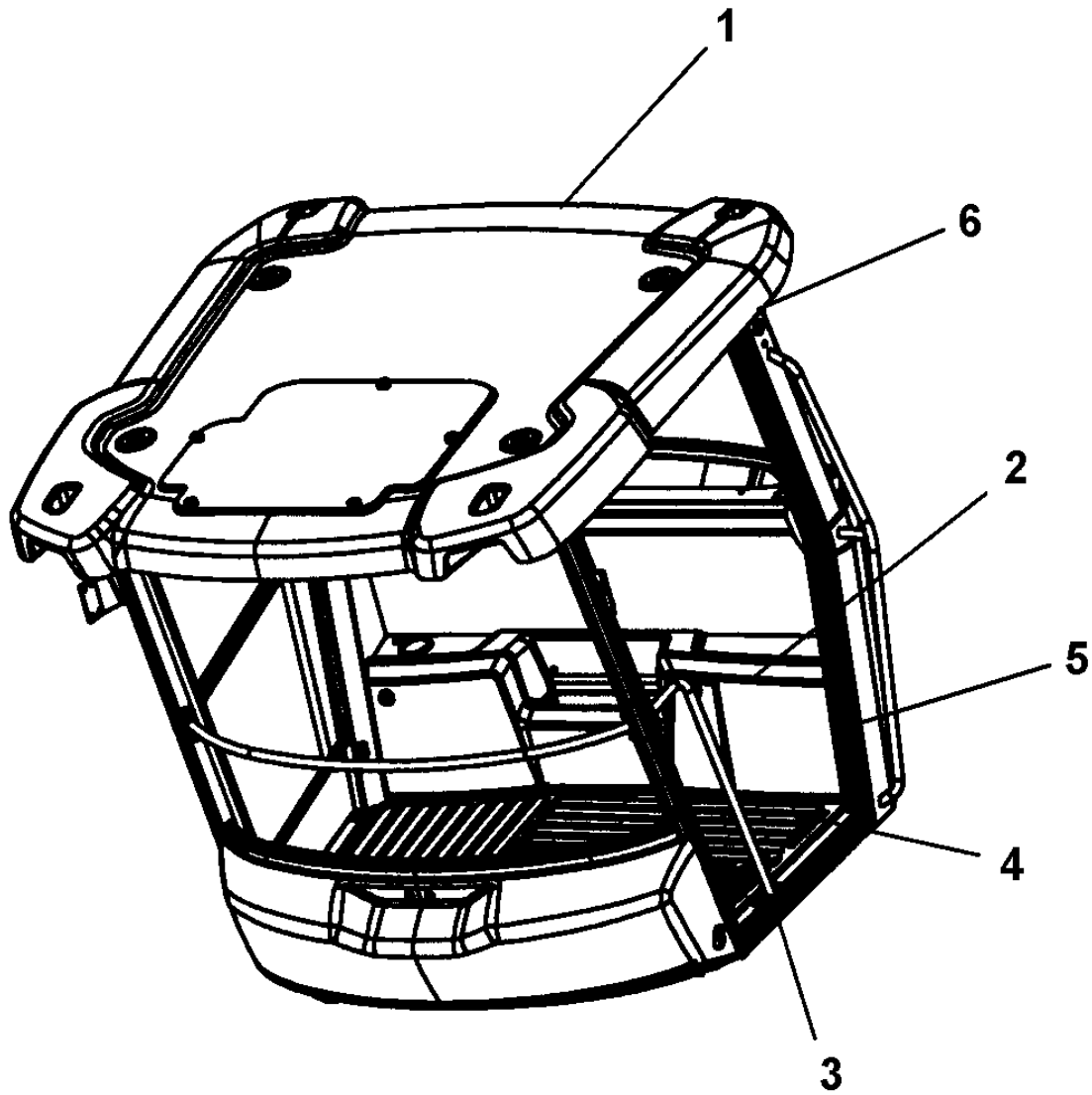
| Item | Part No. | Name | Qty | L | SN INFO |
|------|------------|-------------------------------|-----|---|---------|
| 1 | 4812116367 | Cable entry frame and inserts | 1 | | |
| 2 | 4812116346 | Cable harness | 1 | | |
| 3 | 4812116354 | Cable harness | 1 | | |
| 4 | 4700904229 | Steel plain washer | 4 | | |
| 5 | 4700500022 | Screw | 4 | | |
| 6 | 4812116588 | Holder | 2 | | |
| 7 | 4812116587 | Emergency stop box | 2 | | |
| 8 | 4700903386 | Screw | 4 | | |
| 9 | 4700904698 | Steel plain washer | 8 | | |
| 10 | 4700923976 | Lock nut | 4 | | |

Platform, rops Platform, rops



| Item | Part No. | Name | Qty | L | SN INFO |
|------|------------|----------------------------|-----|---|---------|
| 1 | 4812120544 | Platform with 4-post ROPS | 1 | | |
| 2 | 4700393525 | Holder | 8 | | |
| 3 | 4700359998 | Back-up ring | 4 | | |
| 4 | 4700500056 | Screw, M12x45 mm 8.8 A3K | 16 | | |
| 5 | 4812115387 | Protective plug | 2 | | |
| 6 | 4812116884 | Shock absorber | 4 | | |
| 7 | 4700927410 | Washer | 4 | | |
| 8 | 4700904233 | Steel plain washer 21x36x3 | 2 | | |
| 9 | 4700903290 | Steel plain washer 21x36x6 | 2 | | |
| 10 | 4700901145 | Lock nut M20-10 | 4 | | |
| 11 | 4700902282 | Screw | 4 | | |
| 12 | - | Manual box | 1 | | |
| 13 | 4812116867 | Spacer | 4 | | |

4812120544 Platform with 4-post ROPS 4812120544 Platform with 4-post ROPS

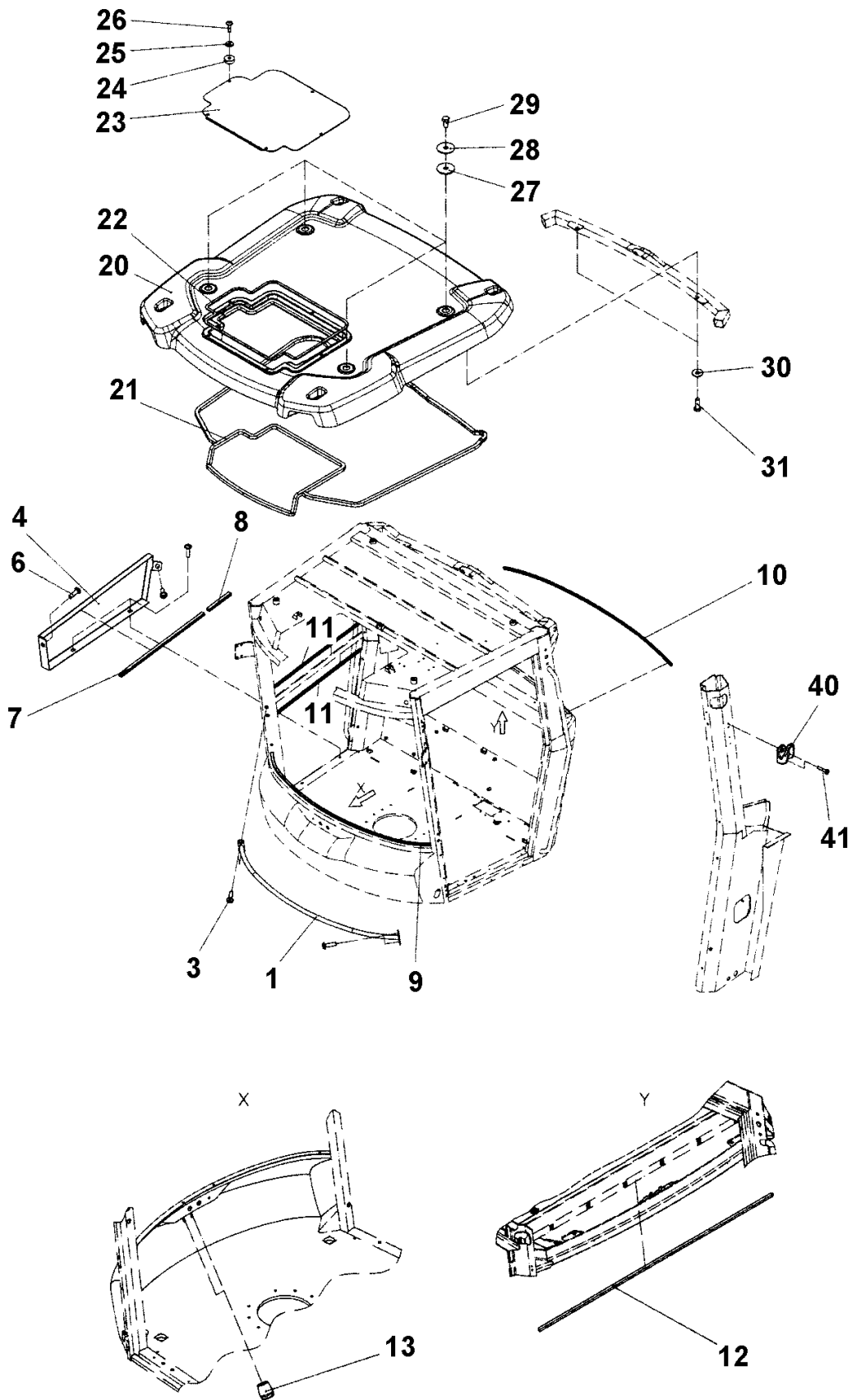


Refer to Parts Online for the most up to date information. The printed information might be outdated.

Fri Dec 11 01:18:48 MST 2015

| Item | Part No. | Name | Qty | L | SN INFO |
|------|------------|--------------------------------------|-----|---|---------|
| 1 | - | Basic kit Rops, roof, front handrail | 1 | | |
| 2 | - | Rear cover | 1 | | |
| 3 | - | Handrail | 1 | | |
| 4 | 4812114568 | Floor mat | 1 | | |
| 5 | | Rops | 1 | | |
| 6 | - | Cab, basic kit | 1 | | |

4812120544 Platform with 4-post ROPS Basic kit Rops, roof, front handrail



Refer to Parts Online for the most up to date information. The printed information might be outdated.

Fri Dec 11 01:18:49 MST 2015

| Item | Part No. | Name | Qty | L | SN INFO |
|------|------------|----------------------|-----|---|---------|
| 1 | 4812115193 | Handrail | 1 | | |
| 3 | - | Screw | 4 | | |
| 4 | 4812115194 | Plate | 1 | | |
| 6 | - | Screw | 4 | | |
| 7 | 4700202028 | Edge trim | 1XL | A | |
| 8 | 4700202028 | Edge trim | 1XL | B | |
| 9 | 4700202028 | Edge trim | 1XL | C | |
| 10 | 4700202028 | Edge trim | 1XL | D | |
| 11 | 4700202028 | Edge trim | 1XL | E | |
| 12 | 4700202028 | Edge trim | 1XL | F | |
| 13 | - | Cap | 2 | | |
| 20 | 4812115195 | Roof | 1 | | |
| 21 | 4812115164 | Rubber strip | 1XL | G | |
| 22 | - | Foam strip | 1XL | H | |
| 23 | 4812115196 | Roof plate | 1 | | |
| 24 | 4812115166 | Rubber washer | 5 | | |
| 25 | 4700601003 | Washer, 8,4x25x2 mm | 5 | | |
| 26 | - | Screw | 5 | | |
| 27 | 4812115170 | Seal washer | 10 | | |
| 28 | 4812115171 | Washer | 4 | | |
| 29 | - | Screw | 4 | | |
| 30 | 4700601003 | Washer, 8,4x25x2 mm | 2 | | |
| 31 | 4700947680 | Hexagon head screw m | 2 | | |
| 40 | 4700908505 | Hook | 1 | | |
| 41 | - | Screw | 4 | | |

Comments for Page: Basic kit Rops, roof, front handrail

(L)OCAL REMARKS

A | L=0.508m

B | L=0.133m

C | L=1.415m

D | L=1.43m

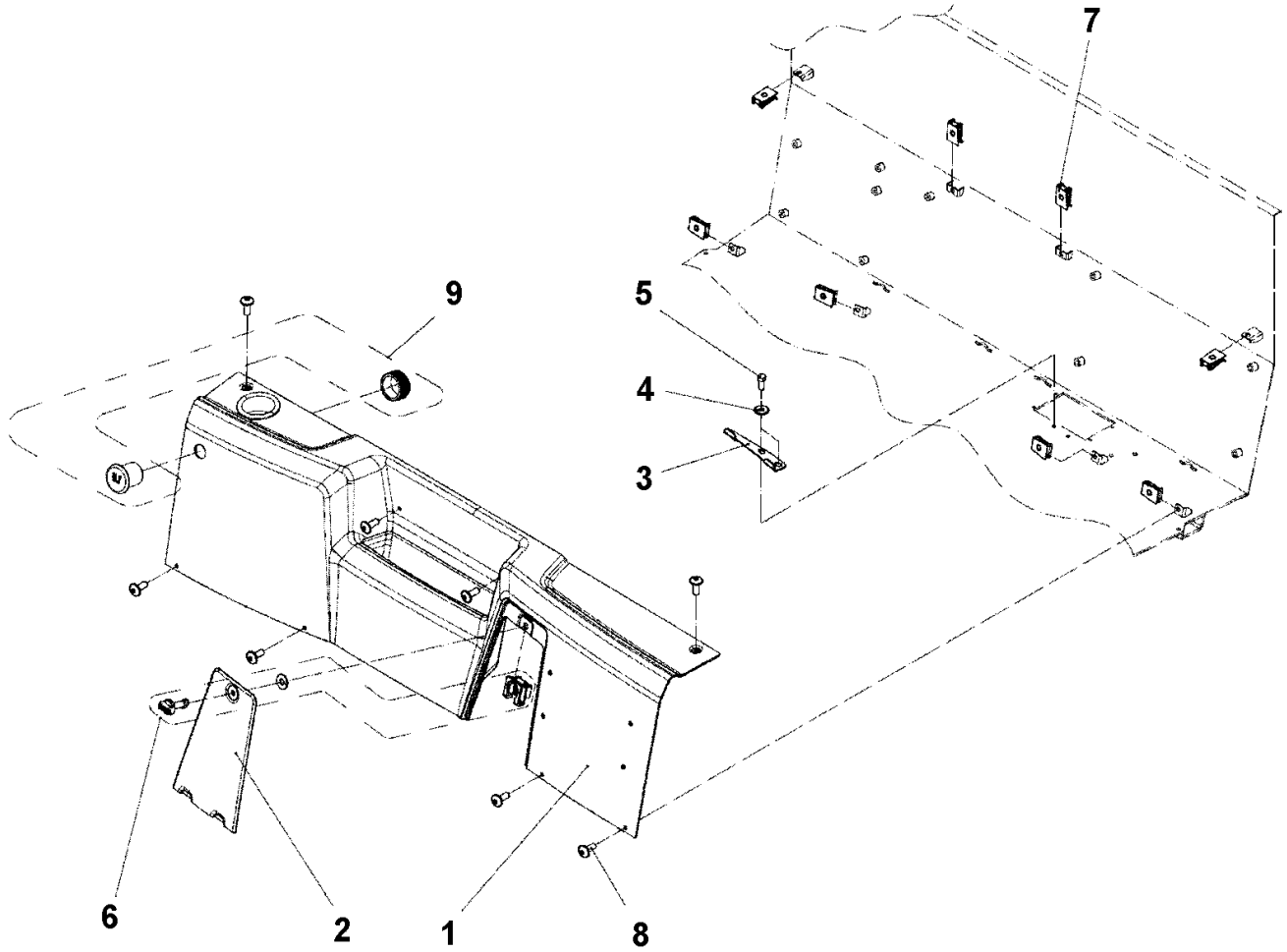
E | L=0.856m

F | L=1.515m

G | L=6.7m

H | L=2.513m

4812120544 Platform with 4-post ROPS Rear cover

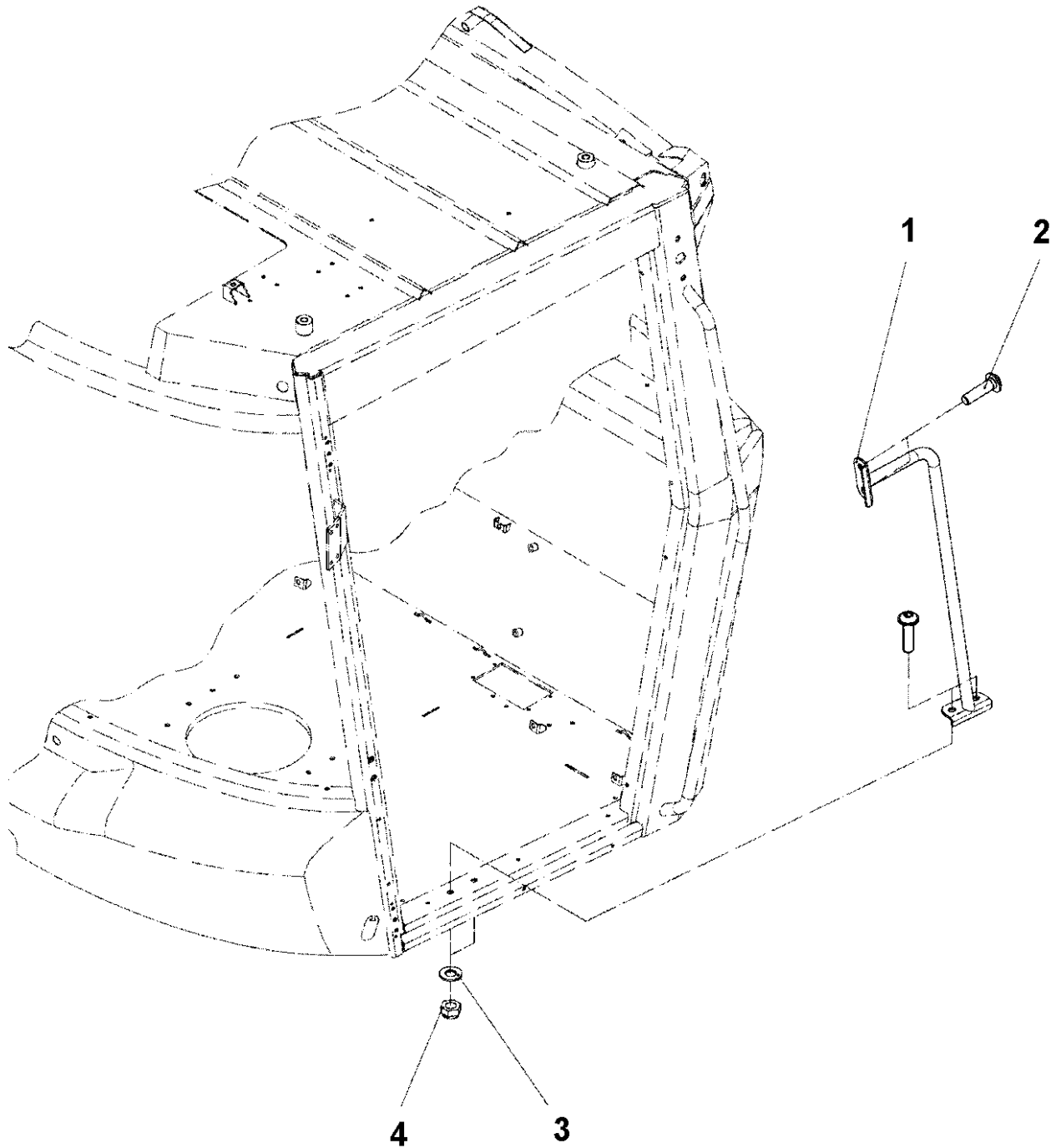


Refer to Parts Online for the most up to date information. The printed information might be outdated.

Fri Dec 11 01:18:50 MST 2015

| Item | Part No. | Name | Qty | L | SN INFO |
|------|------------|-----------------|-----|---|---------|
| 1 | 4812114563 | Rear cover | 1 | | |
| 2 | 4812114564 | Service cover | 1 | | |
| 3 | 4812114565 | Bracket | 1 | | |
| 4 | 4700601001 | Washer | 2 | | |
| 5 | 4700500004 | Screw M5x12 8,8 | 2 | | |
| 6 | 4812114566 | Turn fastener | 1 | | |
| 7 | 4812114567 | Speed nut | 8 | | |
| 8 | - | Screw | 8 | | |
| 9 | - | Socket, 24V | 1 | | |

4812120544 Platform with 4-post ROPS Handrail

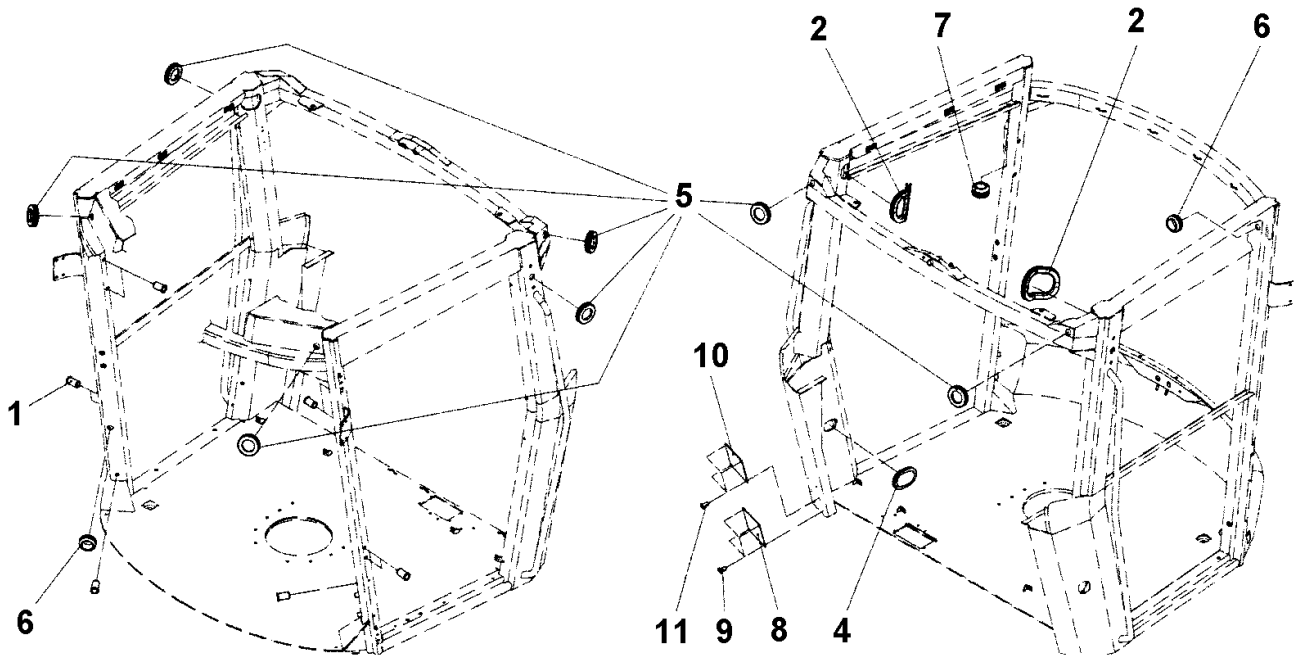


Refer to Parts Online for the most up to date information. The printed information might be outdated.

Fri Dec 11 01:18:50 MST 2015

| Item | Part No. | Name | Qty | L | SN INFO |
|------|------------|-----------------------------|-----|---|---------|
| 1 | 4812114569 | Handrail | 1 | | |
| 2 | - | Screw | 4 | | |
| 3 | 4700904557 | Washer, 10.5x22x4 mm 300 HV | 2 | | |
| 4 | 4700791172 | Lock nut M10 DIN985 | 2 | | |

4812120544 Platform with 4-post ROPS Cab, basic kit



Refer to Parts Online for the most up to date information. The printed information might be outdated.

Fri Dec 11 01:18:50 MST 2015

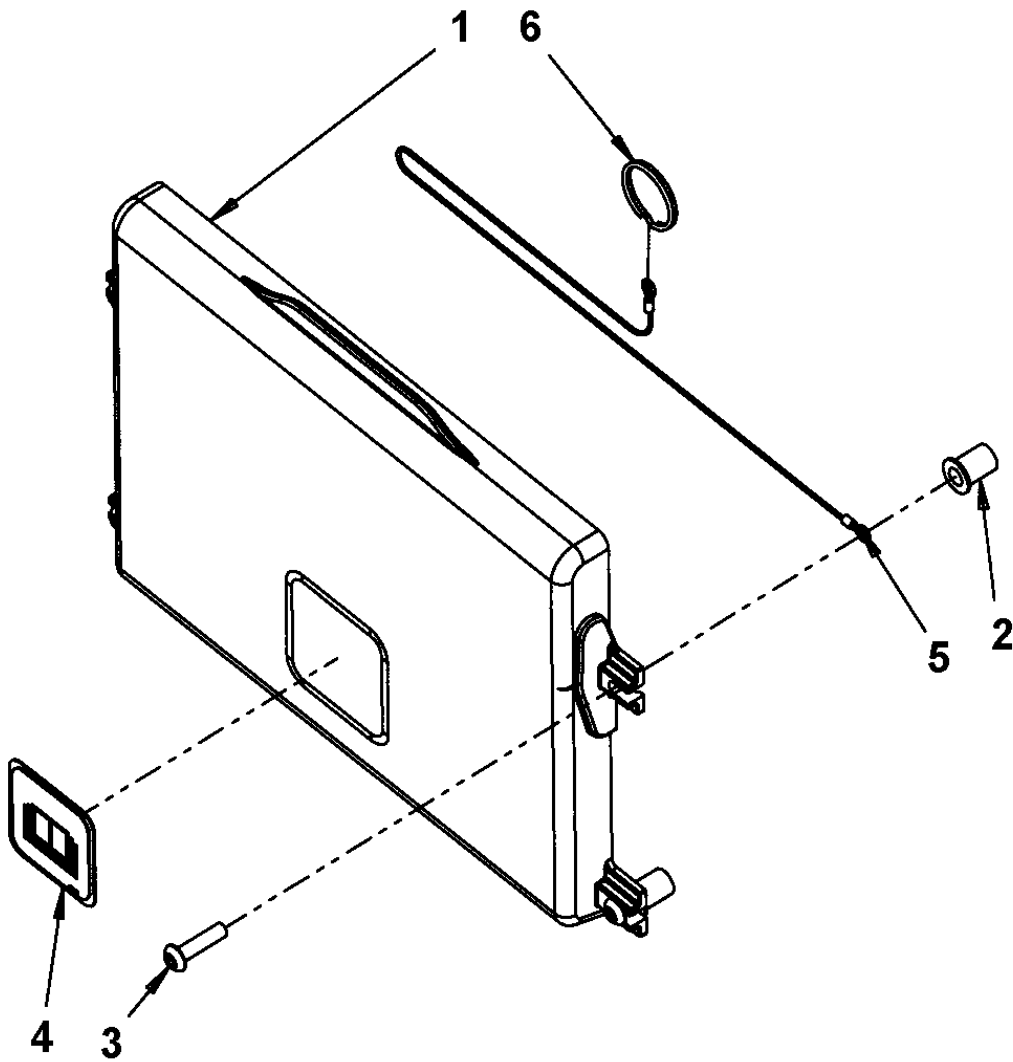
| Item | Part No. | Name | Qty | L | SN INFO |
|------|------------|------------------|-----|---|---------|
| 1 | 4700792103 | Blind insert nut | 10 | | |
| 2 | 4700902379 | Edge trim | 2XL | A | |
| 4 | 4812115186 | Cover | 1 | | |
| 5 | 4700929587 | Grommet | 7 | | |
| 6 | 4700909129 | Grommet | 2 | | |
| 7 | - | Grommet | 1 | | |
| 8 | - | Sign, rops | 1 | | |
| 9 | - | Screw | 4 | | |
| 10 | - | Sign, fops | 1 | | |
| 11 | - | Screw | 4 | | |

Comments for Page: Cab, basic kit

(L)OCAL REMARKS

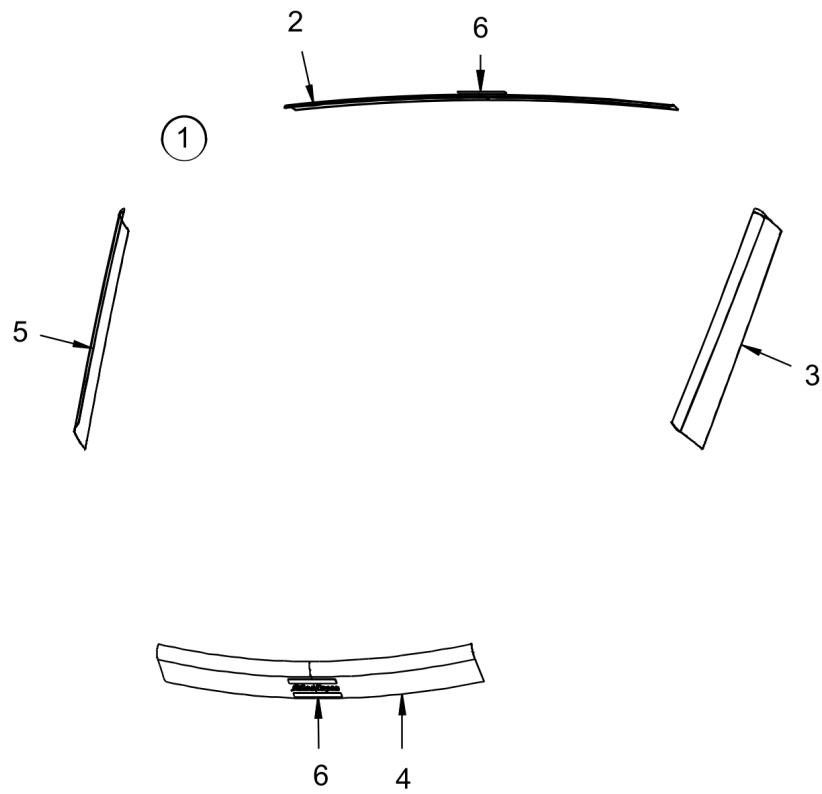
A | en_US | L=0.263m

Platform, rops Manual box



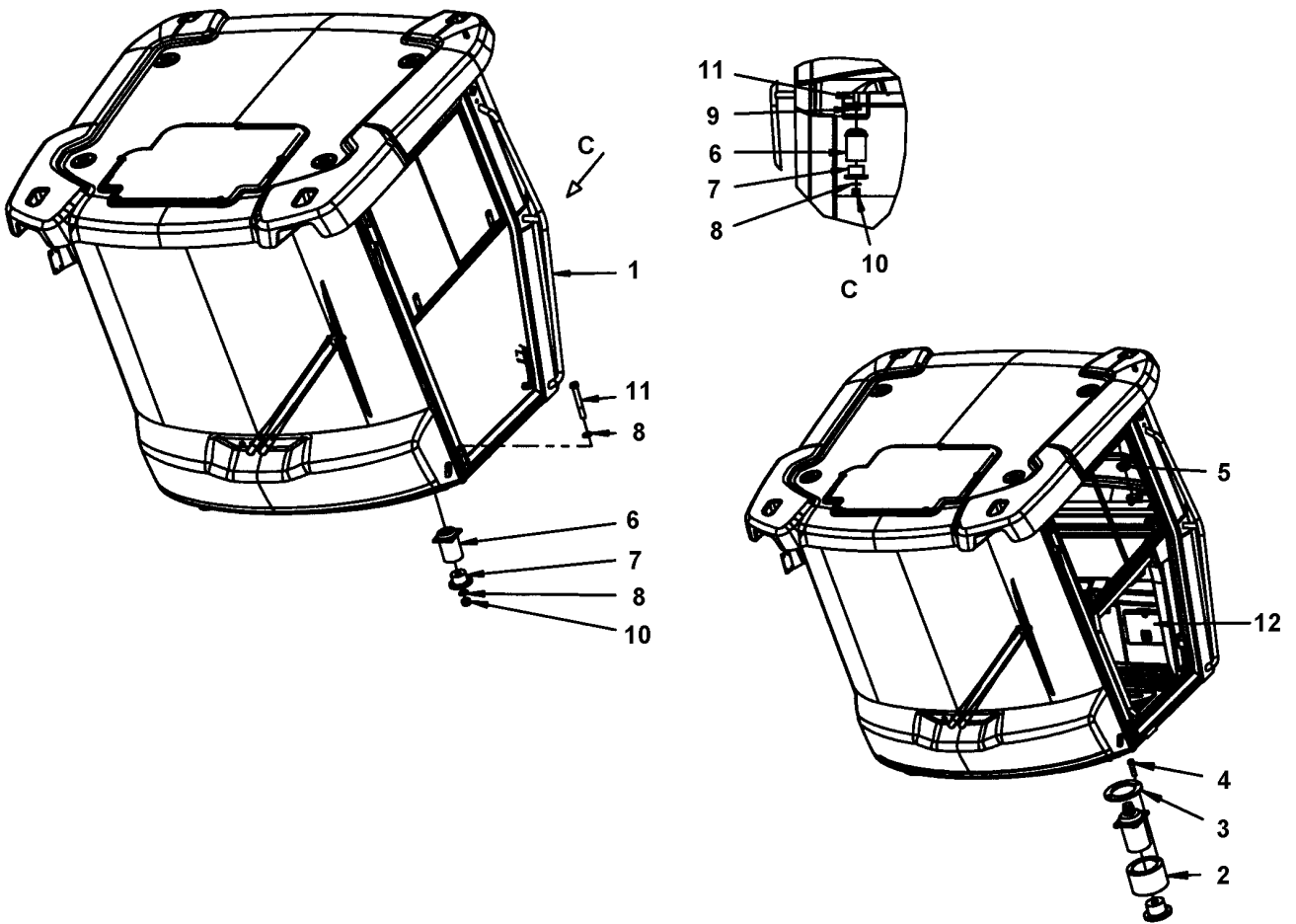
| Item | Part No. | Name | Qty | L | SN INFO |
|------|------------|---|-----|---|---------|
| 1 | 4700383705 | Instruction manual box | 1 | | |
| 2 | 4700792536 | Rubber nut | 4 | | |
| 3 | 4700792589 | Screw | 4 | | |
| 4 | 4700903425 | Safety decal "READ SAFETY INSTRUCTIONS" | 1 | | |
| 5 | 4700384584 | Wire | 1 | | |
| 6 | 4700358254 | Key-ring | 1 | | |

Platform, rops Decals basic kit



| Item | Part No. | Name | Qty | L | SN INFO |
|------|------------|-----------------------|-----|---|---------|
| 1 | 4812120070 | Decal cosmetic, kit | 1 | | |
| 2 | -- | Decal cosmetic Yellow | 1 | | |
| 3 | -- | Decal cosmetic Yellow | 1 | | |
| 4 | -- | Decal cosmetic Yellow | 1 | | |
| 5 | -- | Decal cosmetic Yellow | 1 | | |
| 6 | 4812120117 | Decal AC - logotype | 2 | | |

Cab symmetric module Cab symmetric module

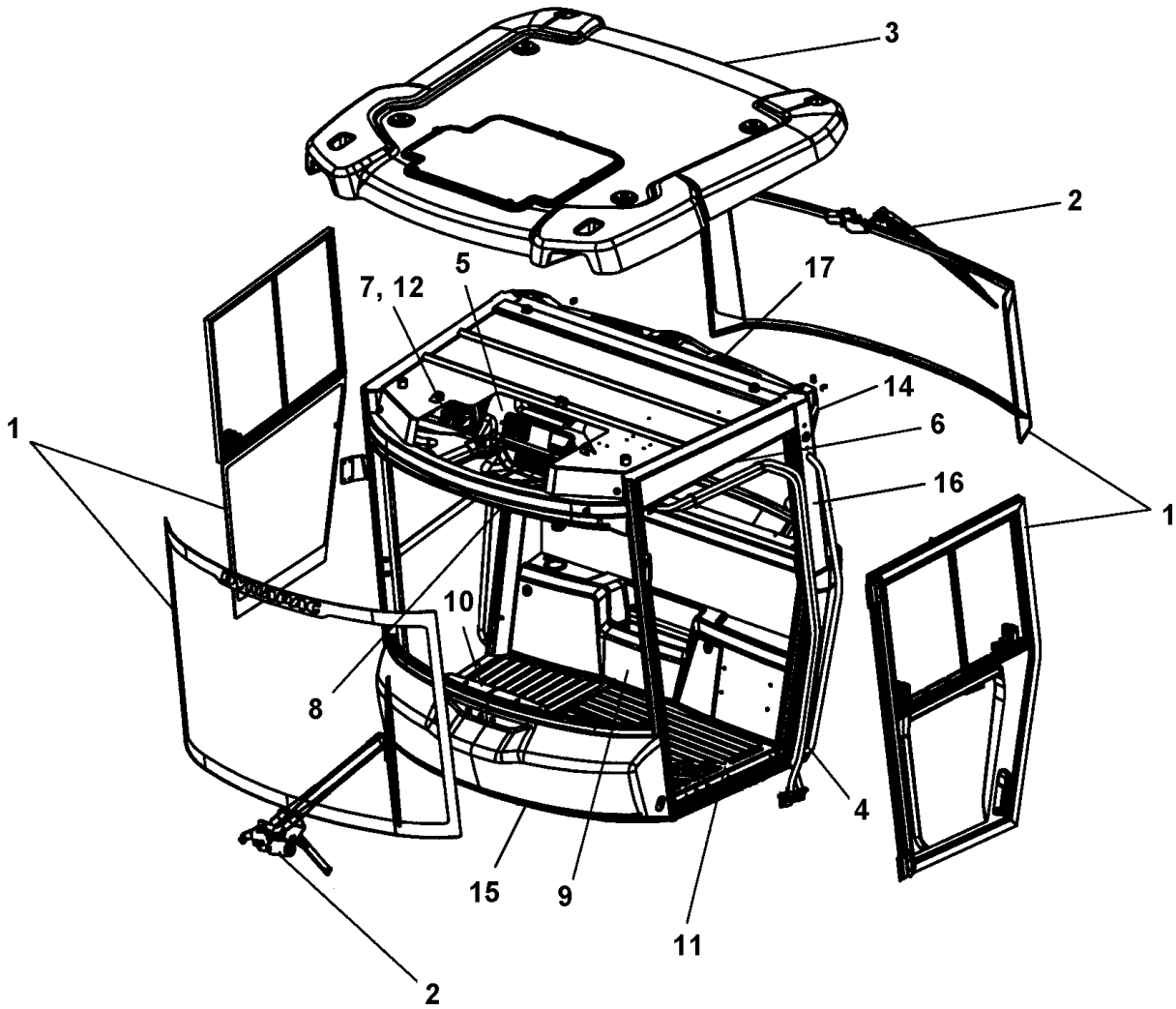


Refer to Parts Online for the most up to date information. The printed information might be outdated.

Fri Dec 11 01:18:52 MST 2015

| Item | Part No. | Name | Qty | L | SN INFO |
|------|------------|----------------------------|-----|---|---------|
| 1 | 4812119364 | Cab, cpl Comfort | 1 | | |
| 1 | 4812119365 | Cab, cpl Basic | 1 | | |
| 2 | 4812112294 | Bracket | 4 | | |
| 3 | 4700359998 | Back-up ring | 4 | | |
| 4 | 4700500195 | Screw | 16 | | |
| 5 | 4812115387 | Protective plug | 2 | | |
| 6 | 4700374606 | Shock absorber Green | 4 | | |
| 7 | 4700372457 | Back-up ring | 4 | | |
| 8 | 4700904233 | Steel plain washer 21x36x3 | 6 | | |
| 9 | 4700903290 | Steel plain washer 21x36x6 | 2 | | |
| 10 | 4700901145 | Lock nut M20-10 | 4 | | |
| 11 | 4700903633 | Screw M20x150 10,9 | 4 | | |
| 12 | - | Manual box | 1 | | |

4812119364 Cab, cpl Comfort 4812119364 Cab, cpl Comfort

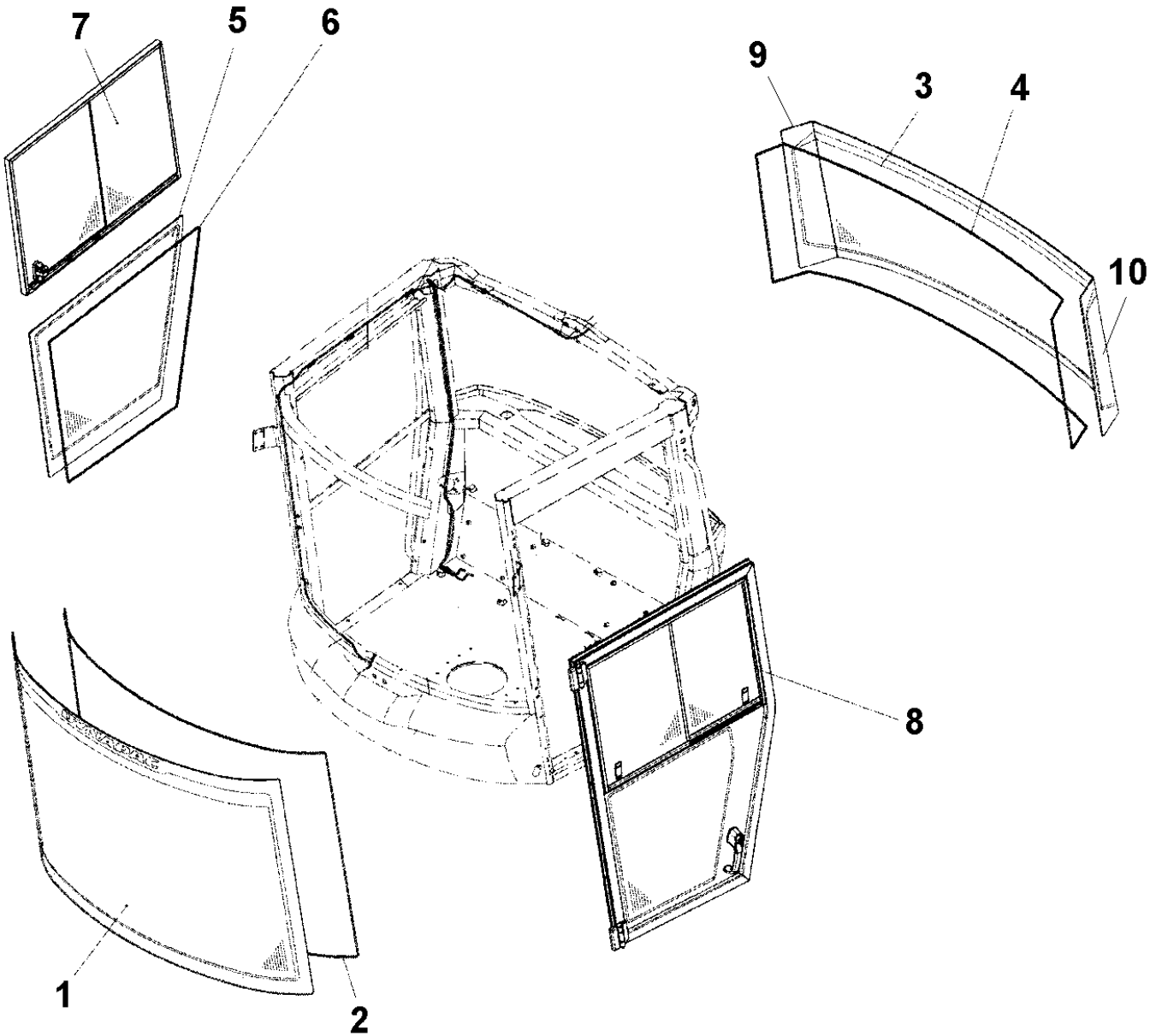


Refer to Parts Online for the most up to date information. The printed information might be outdated.

Fri Dec 11 01:18:53 MST 2015

| Item | Part No. | Name | Qty | L | SN INFO |
|------|----------|---------------------------|-----|---|---------|
| 1 | - | Screens | 1 | | |
| 2 | - | Windshield wiper | 1 | | |
| 3 | - | Roof | 1 | | |
| 4 | - | Hose kit heater | 1 | | |
| 5 | - | Cab Interior | 1 | | |
| 6 | - | Cab cable harness | 1 | | |
| 7 | - | Cab, electrical equipment | 1 | | |
| 8 | - | Emergency hammer, hook | 1 | | |
| 9 | - | Cab, rear cover | 1 | | |
| 10 | - | Cab, front cover | 1 | | |
| 11 | - | Floor mat | 1 | | |
| 12 | - | Step light, wiper switch | 1 | | |
| 14 | - | Cab, basic kit | 1 | | |
| 15 | | Rops | 1 | | |
| 16 | - | Air channel | 1 | | |
| 17 | - | Sun-blind, inner light | 1 | | |

4812119364 Cab, cpl Comfort Screens



Refer to Parts Online for the most up to date information. The printed information might be outdated.

Fri Dec 11 01:18:53 MST 2015

| Item | Part No. | Name | Qty | L | SN INFO |
|------|------------|--------------------|-----|---|---------|
| 1 | 4812114586 | Front screen | 1 | | |
| 2 | 4812159184 | Rubber list | 1XL | A | |
| 3 | 4812158164 | Rear screen middle | 1 | | |
| 4 | 4812159184 | Rubber list | 1XL | B | |
| 5 | 4812114587 | Side screen | 1 | | |
| 6 | 4812159184 | Rubber list | 1XL | C | |
| 7 | 4812114588 | Sliding screen | 1 | | |
| 8 | 4812115202 | Cab door, cpl | 1 | | |
| 9 | 4812158165 | Rear screen right | 1 | | |
| 10 | 4812158163 | Rear screen left | 1 | | |

Comments for Page: Screens

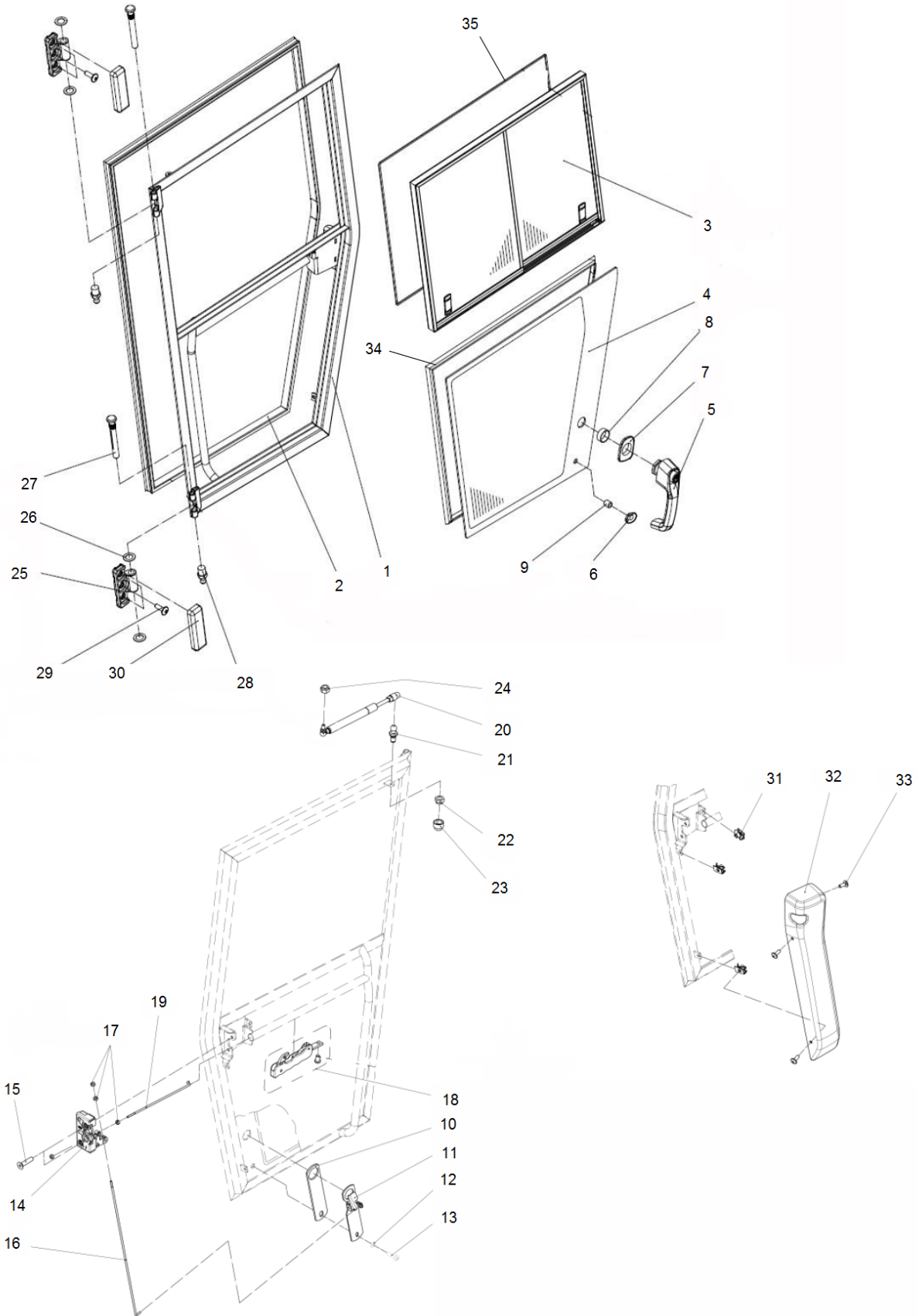
(L)OCAL REMARKS

A | en_US | L=5.002m

B | en_US | L=4.779m

C | en_US | L=2.99m

4812119364 Cab, cpl Comfort 4812115202 Cab door, cpl



Refer to Parts Online for the most up to date information. The printed information might be outdated.

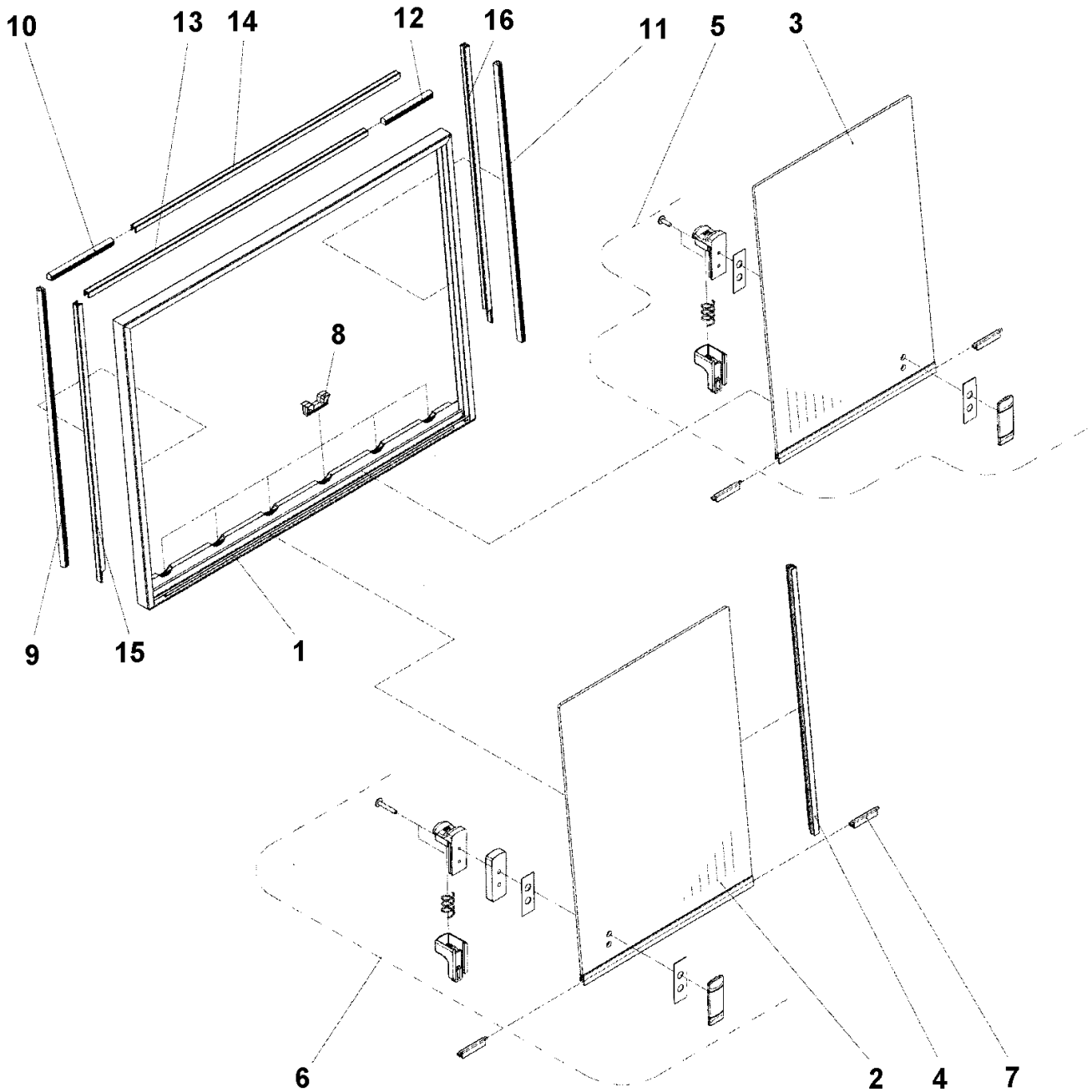
Fri Dec 11 01:18:55 MST 2015

| Item | Part No. | Name | Qty | L | SN INFO |
|------|------------|-----------------------------|-----------|---|---------|
| 1 | 4812116199 | Door | 1 | | |
| 2 | 4812159183 | Rubber list | 4.41 | | |
| 3 | 4812115200 | Sliding screen, left hand | 1 | | |
| 4 | 4812114593 | Screen | 1 | | |
| 5 | 4812115203 | Handle | 1 | | |
| 5 | 4812159558 | Key (2pcs) | 1 | | |
| 6 | 4812115204 | Washer | 1 | | |
| 7 | 4812115205 | Washer | 1 | | |
| 8 | 4812115206 | Washer | 1 | | |
| 9 | 4812115207 | Bushing | 1 | | |
| 10 | 4812115208 | Rubber gasket | 1 | | |
| 11 | 4812115209 | Bracket | 1 | | |
| 12 | 4700904228 | Washer 6.4x12x1.5 mm 300 HV | 1 | | |
| 13 | - | Screw, M6x25 | 1 | | |
| 14 | 4812115210 | Lock | 1 | | |
| 15 | - | Screw, M8x35 | 2 | | |
| 16 | 4812115211 | Lock rod | 1 | | |
| 17 | 4700570005 | Hexagon nut | 4 | | |
| 18 | 4812115212 | Lock handle | 1 | | |
| 19 | 4812115213 | Lock rod | 1 | | |
| 20 | 4812115214 | Gas spring | 1 | | |
| 21 | 4812115215 | Ball stud | 1 | | |
| 22 | 4700791182 | Nut, M8 -8 DIN985 | 1 | | |
| 23 | - | Protecting cap | 1 | | |
| 24 | 4700791182 | Nut, M8 -8 DIN985 | 1 | | |
| 25 | 4812115216 | Hinge | 2 | | |
| 26 | - | Washer | 4 | | |
| 27 | 4812115217 | Pin | 2 | | |
| 28 | - | Lubrication nipple | 2 | | |
| 29 | - | Screw, M8x25 | 6 | | |
| 30 | 4812115218 | Hinge | 2 | | |
| 31 | - | Speed nut | 3 | | |
| 32 | 4812115201 | Door cover | 1 | | |
| 33 | - | Screw, M6x16 | 3 | | |
| 34 | 4812161098 | Seal list | 2,75 6 | | |
| 35 | 4812161099 | Seal list | 2,77 | | |

Refer to Parts Online for the most up to date information. The printed information might be outdated.

Fri Dec 11 01:18:55 MST 2015

4812119364 Cab, cpl Comfort 4812115200 Sliding screen, left hand



Refer to Parts Online for the most up to date information. The printed information might be outdated.

Fri Dec 11 01:18:56 MST 2015

| Item | Part No. | Name | Qty | L | SN INFO |
|------|------------|--------------|-----|---|---------|
| 1 | - | Window frame | 1 | | |
| 2 | 4812115225 | Screen | 1 | | |
| 3 | 4812115226 | Screen | 1 | | |
| 4 | 4812160388 | Sealing bar | 1 | | |
| 5 | 4812115219 | Handle | 1 | | |
| 6 | 4812115220 | Handle | 1 | | |
| 7 | 4812159775 | Guide | 4 | | |
| 8 | 4812115223 | Bracket | 6 | | |
| 9 | - | Strip | 1XL | A | |
| 10 | - | Strip | 1XL | B | |
| 11 | - | Strip | 1XL | C | |
| 12 | - | Strip | 1XL | D | |
| 13 | 4812160877 | Window seal | 1XL | E | |
| 14 | 4812160877 | Window seal | 1XL | F | |
| 15 | 4812160877 | Window seal | 1XL | G | |
| 16 | 4812160877 | Window seal | 1XL | H | |

Comments for Page: 4812115200 Sliding screen, left hand

(L)OCAL REMARKS

A | en_US | L=0.612m

B | en_US | L=0.15m

C | en_US | L=0.613m

D | en_US | L=0.117m

E | en_US | L=0.676m

F | en_US | L=0.643m

G | en_US | L=0.612m

H | en_US | L=0.613m

| Item | Part No. | Name | Qty | L | SN INFO |
|------|------------|-----------------------------|-----|---|---------|
| 1 | 4812114606 | Bracket | 1 | | |
| 2 | - | Washer | 3 | | |
| 3 | - | Screw | 3 | | |
| 4 | 4812114598 | Bolt | 1 | | |
| 5 | 4812114599 | Clamp | 1 | | |
| 6 | 4812114602 | Washer | 1 | | |
| 7 | 4812114603 | Plate | 1 | | |
| 8 | 4812114600 | Wiper motor, front | 1 | | |
| 9 | 4812114604 | Wiper arm | 1 | | |
| 10 | 4812114605 | Wiper blade, front | 1 | | |
| 11 | 4700601003 | Washer, 8,4x25x2 mm | 2 | | |
| 12 | 4700791182 | Nut, M8 -8 DIN985 | 2 | | |
| 13 | - | Spacer | 2 | | |
| 14 | - | Washer | 2 | | |
| 15 | 4812114601 | Wiper motor, rear | 1 | | |
| 16 | 4812114607 | Wiper arm | 1 | | |
| 17 | 4812114608 | Wiper blade, rear | 1 | | |
| 18 | 4812114610 | Nozzle | 1 | | |
| 19 | 4812114609 | Clamp | 1 | | |
| 20 | 4812114611 | Hose | 1XL | A | |
| 21 | 4812114612 | Water tank | 1 | | |
| 21 | 4812158293 | Cap | 1 | | |
| 21 | 4812160666 | Electric washer pump | 2 | | |
| 22 | - | Rubber seal | 1XL | F | |
| 23 | 4812114613 | Bracket | 1 | | |
| 24 | 4700904228 | Washer 6.4x12x1.5 mm 300 HV | 7 | | |
| 25 | 4700904563 | Lock nut M6 | 3 | | |
| 26 | 4812115162 | Filling pipe | 1 | | |
| 27 | 4700313023 | Hose clamp | 2 | | |
| 28 | 4700500013 | Hex. screw | 4 | | |
| 29 | 4812114611 | Hose | 1XL | B | |
| 30 | 4700908564 | Check valve | 2 | | |
| 31 | 4812114611 | Hose | 1XL | C | |
| 32 | 4700908561 | Grommet | 2 | | |
| 33 | 4812114611 | Hose | 1XL | D | |
| 34 | 4812114611 | Hose | 1XL | E | |

Refer to Parts Online for the most up to date information. The printed information might be outdated.

Fri Dec 11 01:18:58 MST 2015

Comments for Page: Windshield wiper

(L)OCAL REMARKS

A | en_US | L=0.415

B | en_US | L=0.122

C | en_US | L=4.4

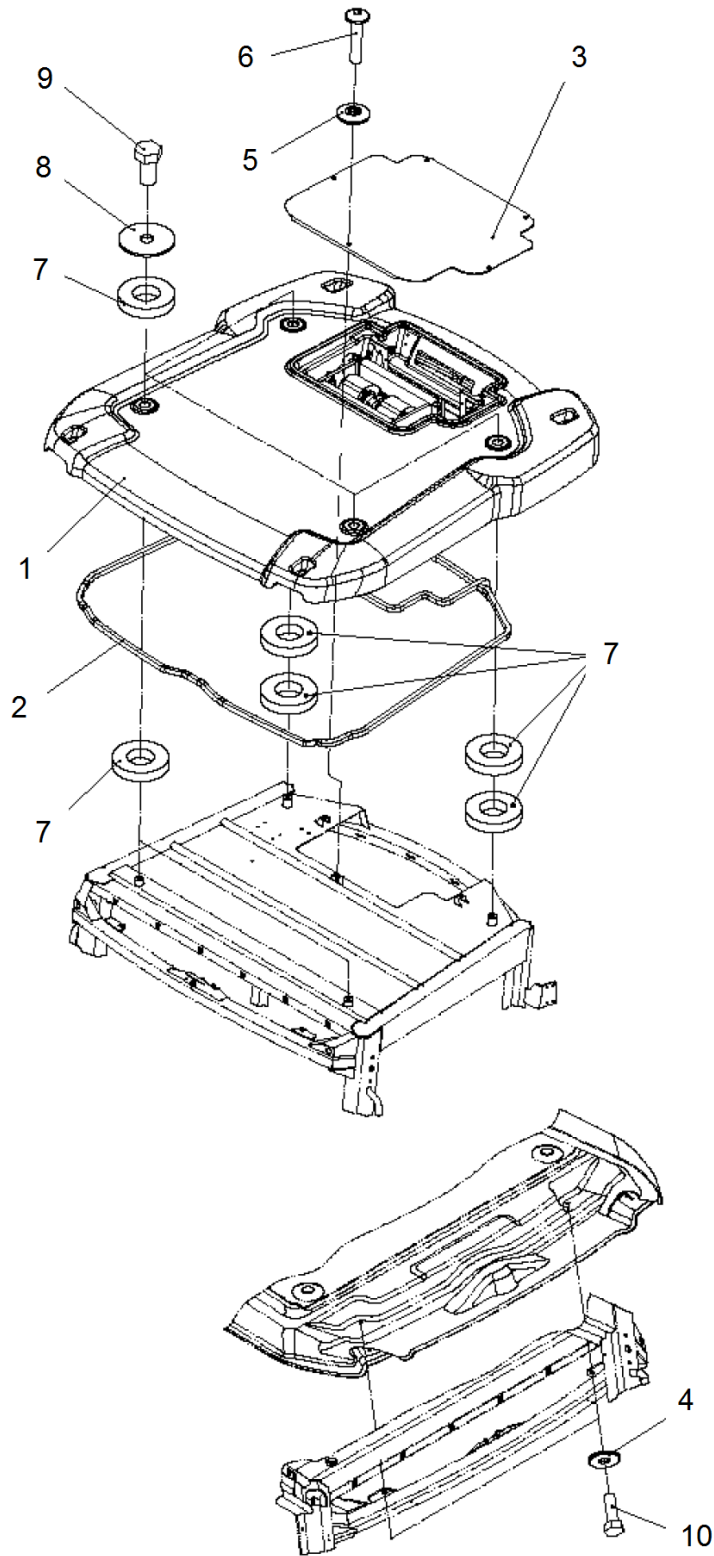
D | en_US | L=2.55

E | en_US | L=0.161

F | en_US | L=0.201m

This page intentionally left blank

4812119364 Cab, cpl Comfort Roof



Refer to Parts Online for the most up to date information. The printed information might be outdated.

Fri Dec 11 01:18:58 MST 2015

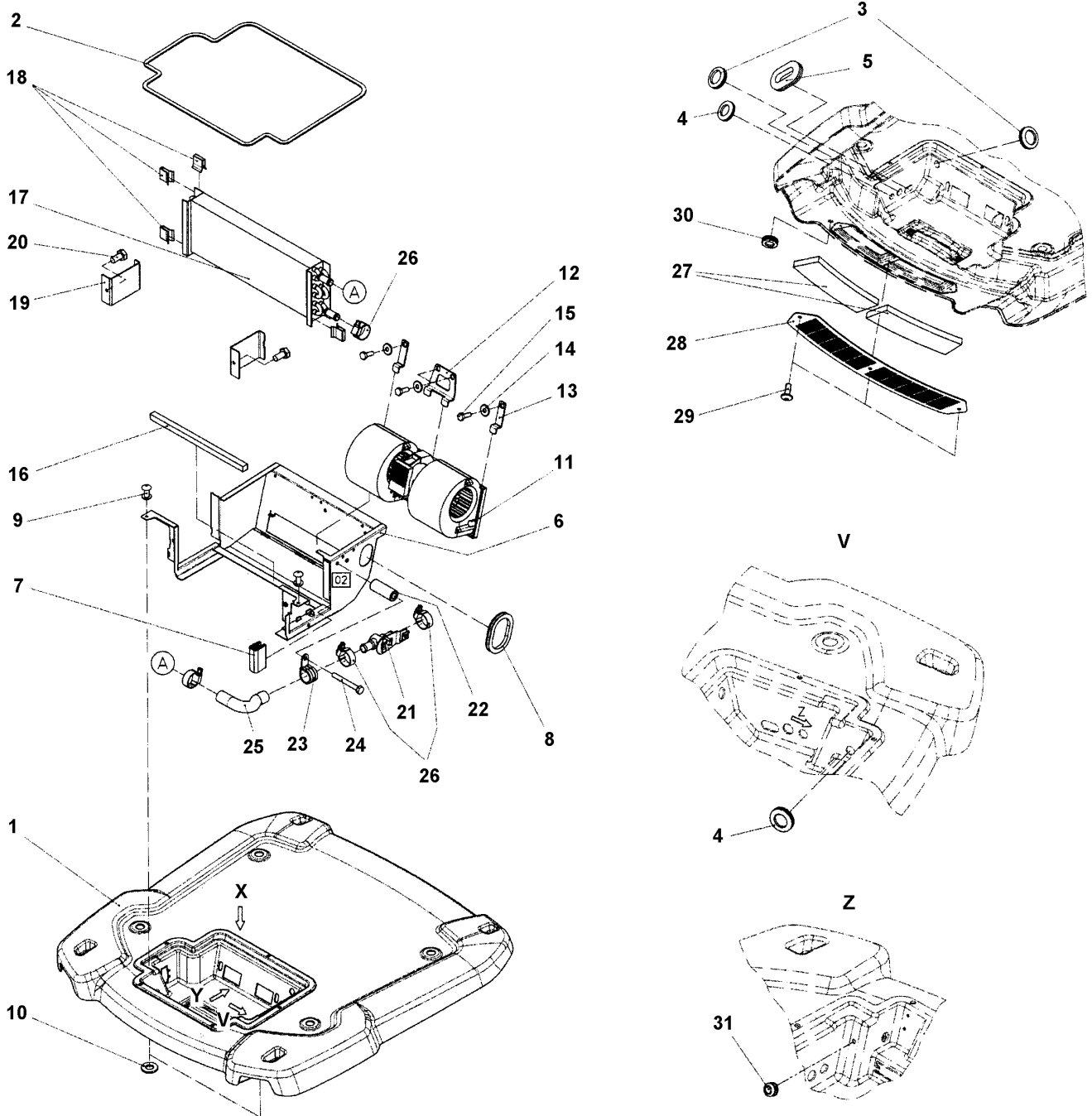
| Item | Part No. | Name | Qty | L | SN INFO |
|------|------------|----------------------|-----|---|---------|
| 1 | - | Heater assy | 1 | | |
| 2 | 4812115164 | Rubber strip | 1XL | A | |
| 3 | 4812115165 | AC hood | 1 | | |
| 4 | 4700601003 | Washer, 8,4x25x2 mm | 2 | | |
| 5 | 4812120255 | Seal washer | 5 | | |
| 6 | - | Screw | 5 | | |
| 7 | 4812115170 | Seal washer | 10 | | |
| 8 | 4812115171 | Washer | 4 | | |
| 9 | - | Screw | 4 | | |
| 10 | 4700947680 | Hexagon head screw m | 2 | | |

Comments for Page: Roof

(L)OCAL REMARKS

A | en_US | L=6.7m

4812119364 Cab, cpl Comfort Heater Assy



Refer to Parts Online for the most up to date information. The printed information might be outdated.

Fri Dec 11 01:19:01 MST 2015

| Item | Part No. | Name | Qty | L | SN INFO |
|------|------------|----------------------|-----|---|---------|
| 1 | 4812116201 | Roof | 1 | | |
| 2 | 4812160469 | Foam strip (Xm) | 1XL | A | |
| 3 | - | Grommet | 2 | | |
| 4 | 4700929587 | Grommet | 2 | | |
| 5 | 4812115228 | Grommet | 1 | | |
| 6 | 4812115229 | Bracket | 1 | | |
| 7 | 4700202028 | Edge trim | 1XL | B | |
| 8 | 4812115186 | Cover | 1 | | |
| 9 | 4700791666 | Blind rivet | 2 | | |
| 10 | 4700904229 | Steel plain washer | 2 | | |
| 11 | 4812158485 | Fan 24V | 1 | | |
| 12 | 4812115230 | Bracket | 1 | | |
| 13 | 4812116192 | Bracket | 2 | | |
| 14 | 4700904229 | Steel plain washer | 4 | | |
| 15 | - | Hexagon screw | 4 | | |
| 16 | 4812115164 | Rubber strip | 1XL | C | |
| 17 | 4812116193 | Heater coil | 1 | | |
| 18 | 4812116194 | Clip | 4 | | |
| 19 | 4812116195 | Bracket | 2 | | |
| 20 | 4700500012 | Hex. screw | 2 | | |
| 21 | 4700939693 | Heater control valve | 1 | | |
| 22 | 4700372174 | Spacer | 1 | | |
| 23 | 4700903670 | Clamp | 1 | | |
| 24 | 4700500079 | Screw M6-1x50 8,8 | 1 | | |
| 25 | 4700205112 | Coolant hose | 1XL | D | |
| 26 | 4700313004 | Hose clamp 19-29mm | 4 | | |
| 27 | 4812116197 | Air filter | 2 | | |
| 28 | 4812116198 | Cover | 1 | | |
| 29 | - | Screw | 3 | | |
| 30 | 4700791475 | Grommet | 1 | | |
| 31 | - | Grommet | 1 | | |

Comments for Page: Heater assy

(L)OCAL REMARKS

A | en_US | L = 2.56m

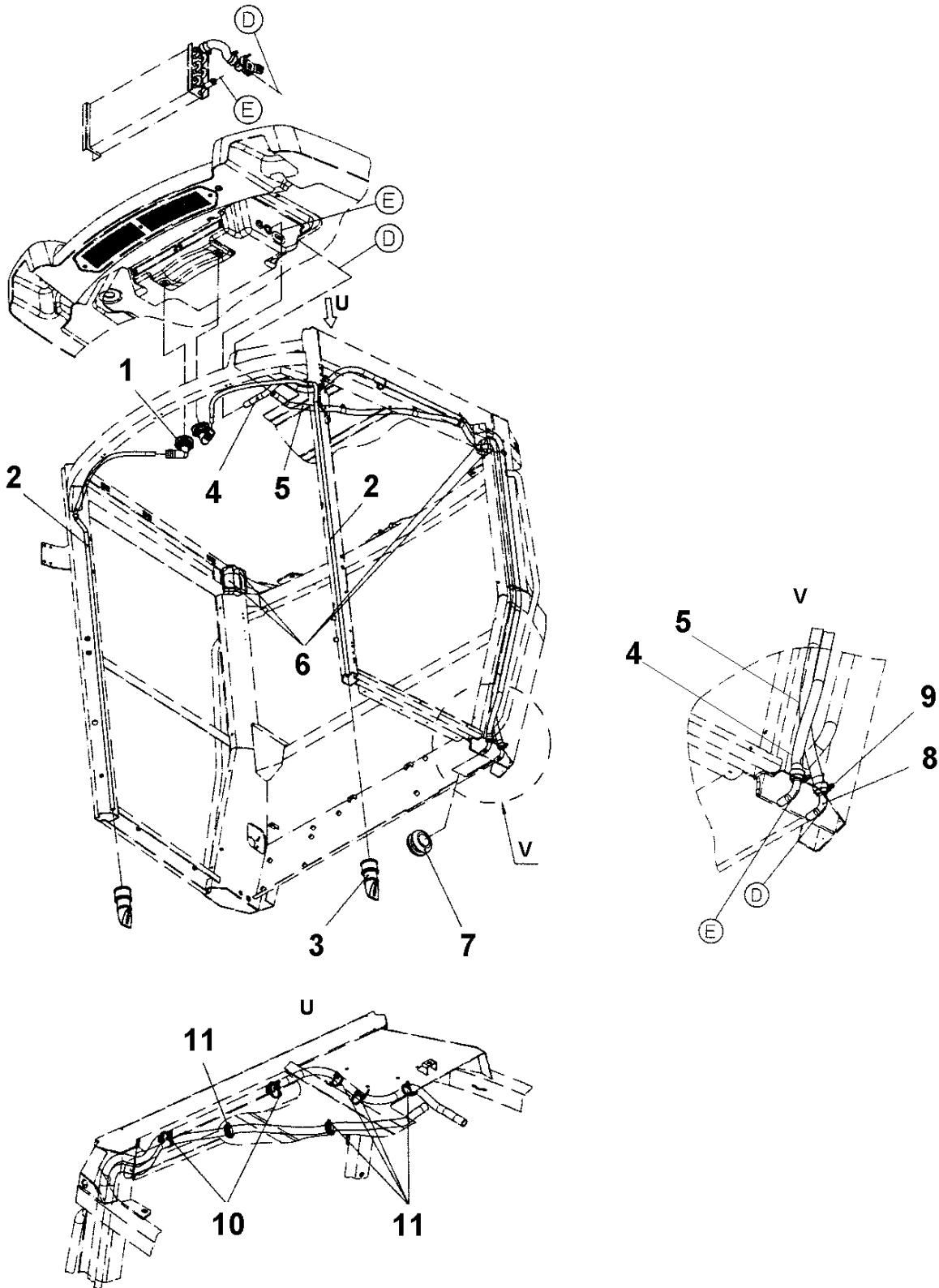
B | en_US | L = 0.028

C | en_US | L = 0.407m

D | en_US | L = 0.15m

This page intentionally left blank

4812119364 Cab, cpl Comfort Hose kit heater



Refer to Parts Online for the most up to date information. The printed information might be outdated.

Fri Dec 11 01:19:02 MST 2015

| Item | Part No. | Name | Qty | L | SN INFO |
|------|------------|-----------------------|-----|---|---------|
| 1 | 4812115167 | Connector | 2 | | |
| 2 | 4812115168 | Drain hose | 2XL | A | |
| 3 | 4812115169 | Drain valve | 2 | | |
| 4 | 4700205112 | Coolant hose | 1XL | B | |
| 5 | 4700205112 | Coolant hose | 1XL | C | |
| 6 | - | Foam | 1 | | |
| 7 | - | Grommet | 1 | | |
| 8 | 4812115172 | Connection pipe | 2 | | |
| 9 | 4700313004 | Hose clamp 19-29mm | 2 | | |
| 10 | 4700313041 | Cable tie | 2 | | |
| 11 | 4700792441 | Cable tie with holder | 5 | | |

Comments for Page: Hose kit heater

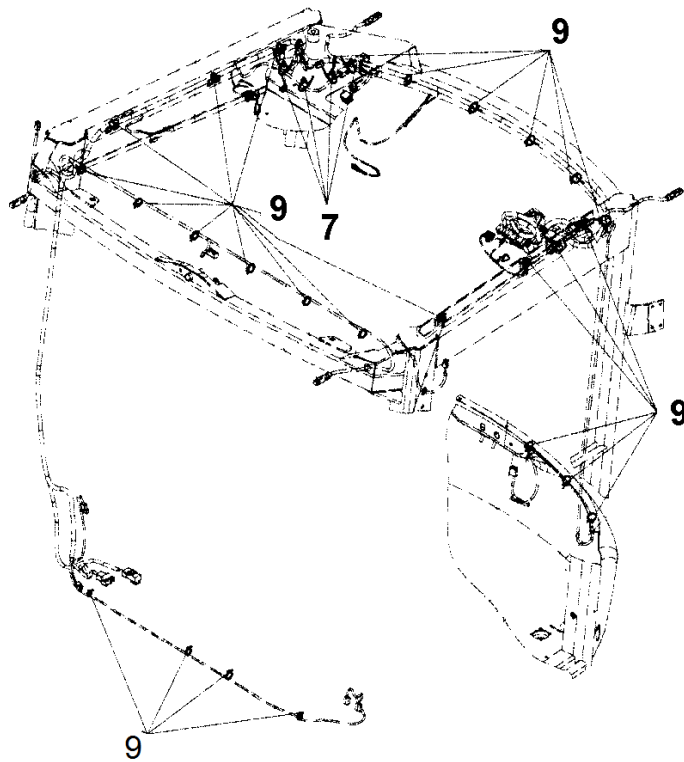
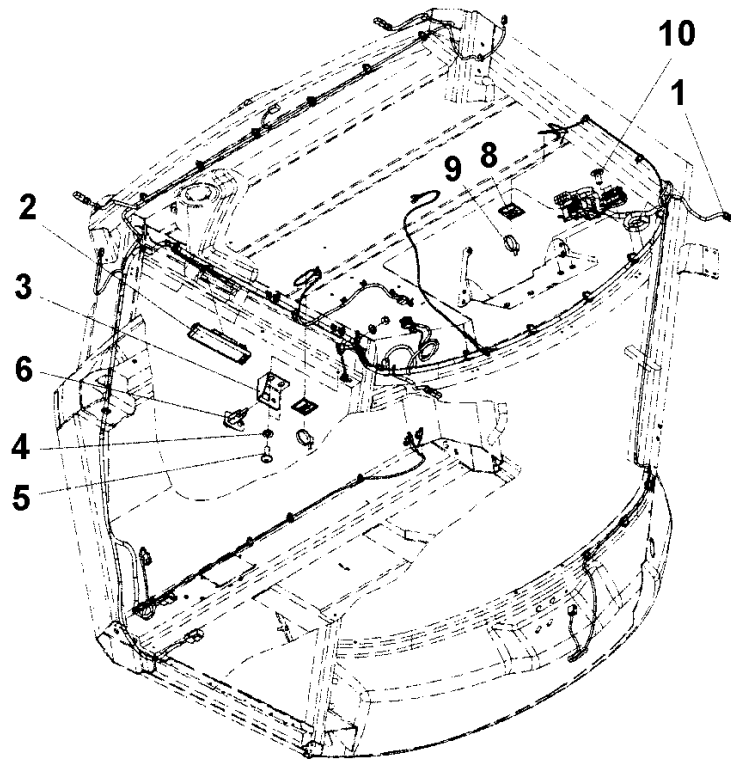
(L)OCAL REMARKS

A | en_US | L=1.96m

B | en_US | L=2.831m

C | en_US | L=2.5m

4812119364 Cab, cpl Comfort Cab cable harness

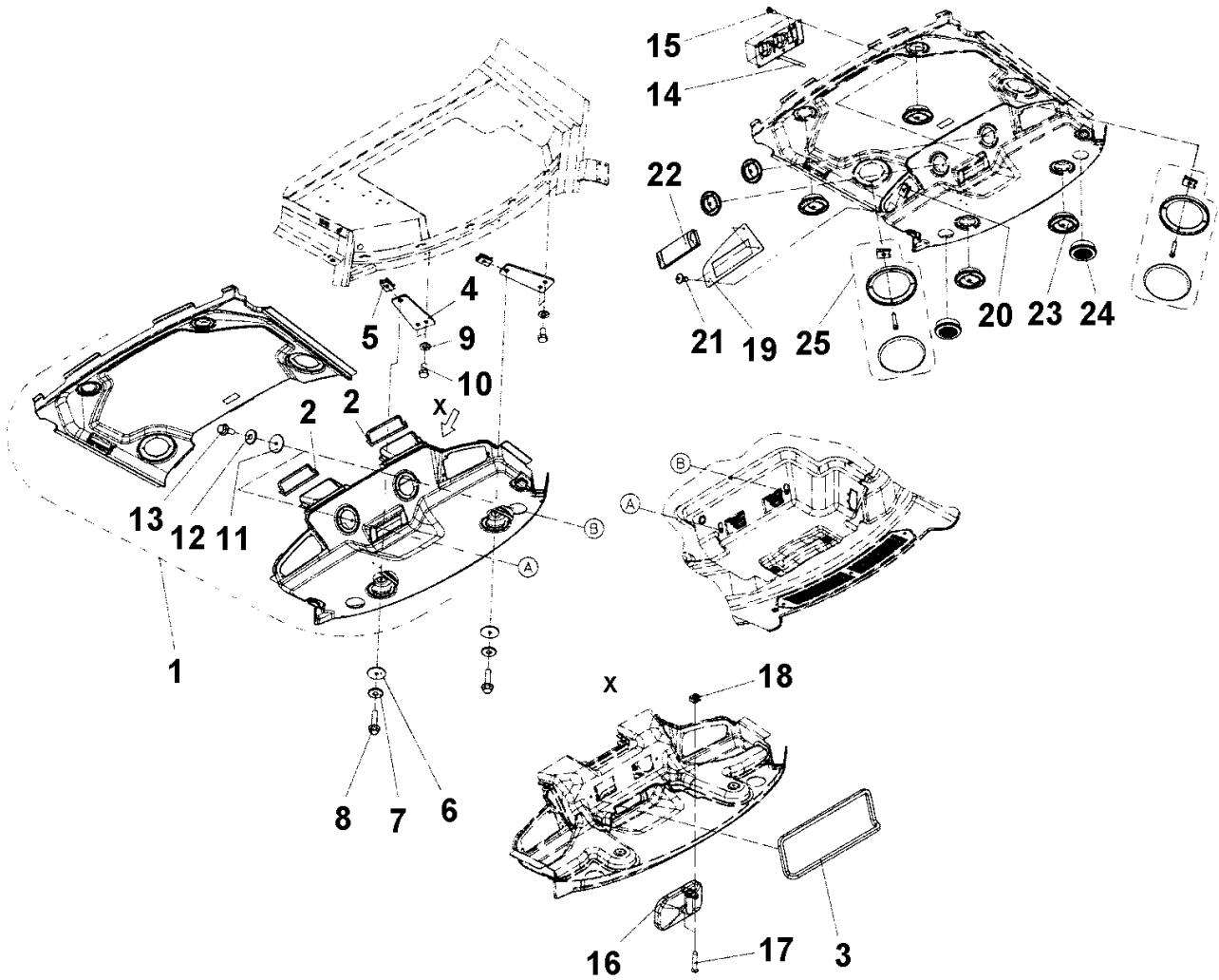


Refer to Parts Online for the most up to date information. The printed information might be outdated.

Fri Dec 11 01:19:03 MST 2015

| Item | Part No. | Name | Qty | L | SN INFO |
|------|------------|-----------------------------|-----|---|---------|
| 1 | 4812115181 | Cable harness | 1 | | |
| 2 | 4812120257 | Inner light | 1 | | |
| 2 | 4700792715 | Bulb, 10W | 2 | | |
| 3 | 4812115182 | Bracket | 1 | | |
| 4 | 4700904228 | Washer 6.4x12x1.5 mm 300 HV | 2 | | |
| 5 | - | Screw | 2 | | |
| 6 | 4812115183 | Door switch | 1 | | |
| 7 | 4700792441 | Cable tie with holder | 4 | | |
| 8 | - | Cable tie holder | 2 | | |
| 9 | 4700313041 | Cable tie | 28 | | |
| 10 | - | Screw | 2 | | |

4812119364 Cab, cpl Comfort Cab Interior



Refer to Parts Online for the most up to date information. The printed information might be outdated.

Fri Dec 11 01:19:04 MST 2015

| Item | Part No. | Name | Qty | L | SN INFO |
|------|------------|-----------------------------|-----|---|---------|
| 1 | 4812158992 | Inner panel, cpl | 1 | | |
| 2 | 4812160772 | Rubber list | 2XL | A | |
| 3 | 4812160771 | Seal | 1XL | B | |
| 4 | 4812115175 | Bracket | 2 | | |
| 5 | 4812114567 | Speed nut | 2 | | |
| 6 | - | Washer | 2 | | |
| 7 | 4700928381 | Washer, 6.4x18x1.6 mm | 2 | | |
| 8 | - | Screw | 2 | | |
| 9 | 4700904228 | Washer 6.4x12x1.5 mm 300 HV | 4 | | |
| 10 | 4700500012 | Hex. screw | 4 | | |
| 11 | - | Washer | 2 | | |
| 12 | 4700928381 | Washer, 6.4x18x1.6 mm | 2 | | |
| 13 | - | Screw | 2 | | |
| 14 | - | Heater controls | 1 | | |
| 15 | - | Screw | 4 | | |
| 16 | 4812115177 | Mirror | 1 | | |
| 17 | 4812159768 | Screw | 2 | | |
| 18 | 4812159767 | Speed nut | 2 | | |
| 19 | 4812115178 | Radio console | 1 | | |
| 20 | 4811000458 | Speed nut | 3 | | |
| 21 | - | Screw | 3 | | |
| 22 | 4812115179 | Radio cover | 1 | | |
| 23 | 4812115180 | Air nozzle | 6 | | |
| 24 | - | Air inlet cover | 2 | | |
| 25 | - | Speaker cover | 2 | | |

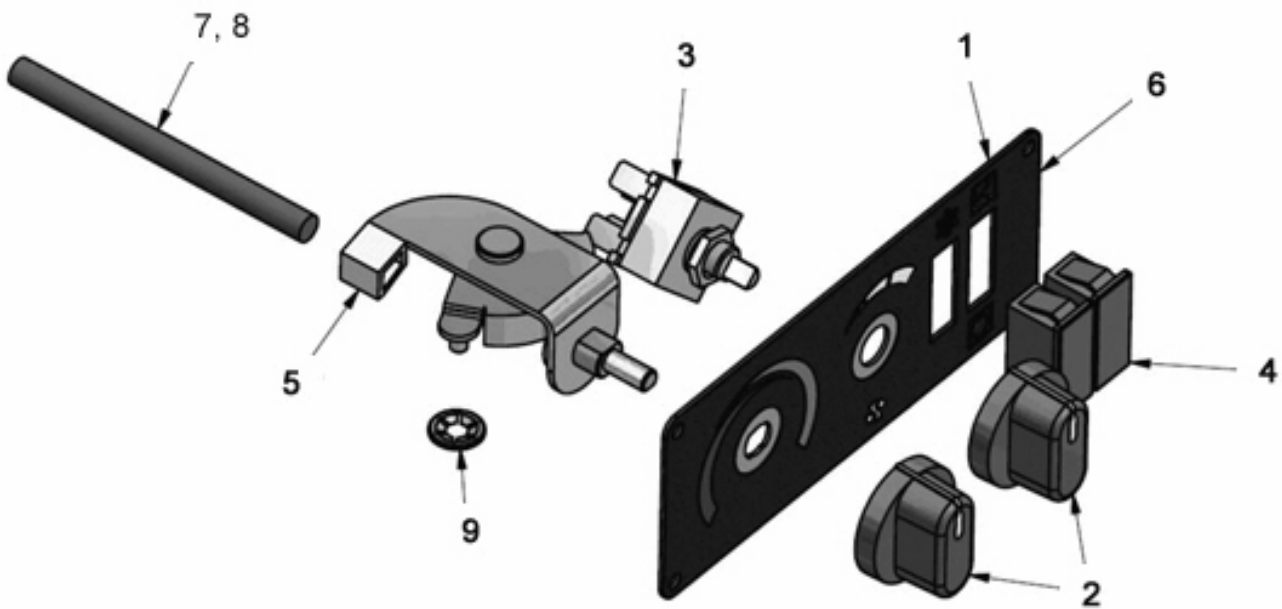
Comments for Page: Cab Interior

(L)OCAL REMARKS

A | en_US | L=0.525m

B | en_US | L=0.915m

4812119364 Cab, cpl Comfort Heater controls

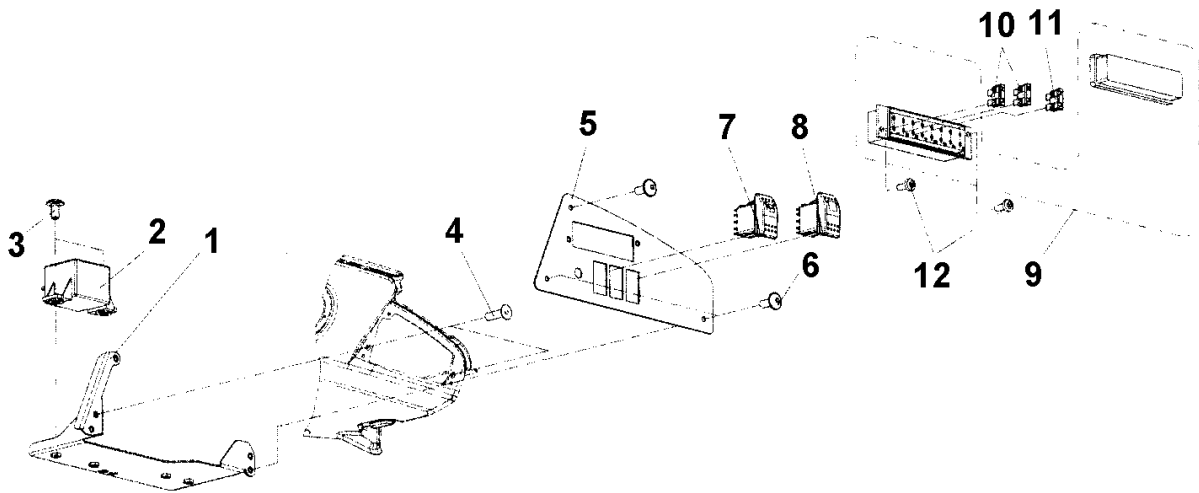


Refer to Parts Online for the most up to date information. The printed information might be outdated.

Fri Dec 11 01:19:05 MST 2015

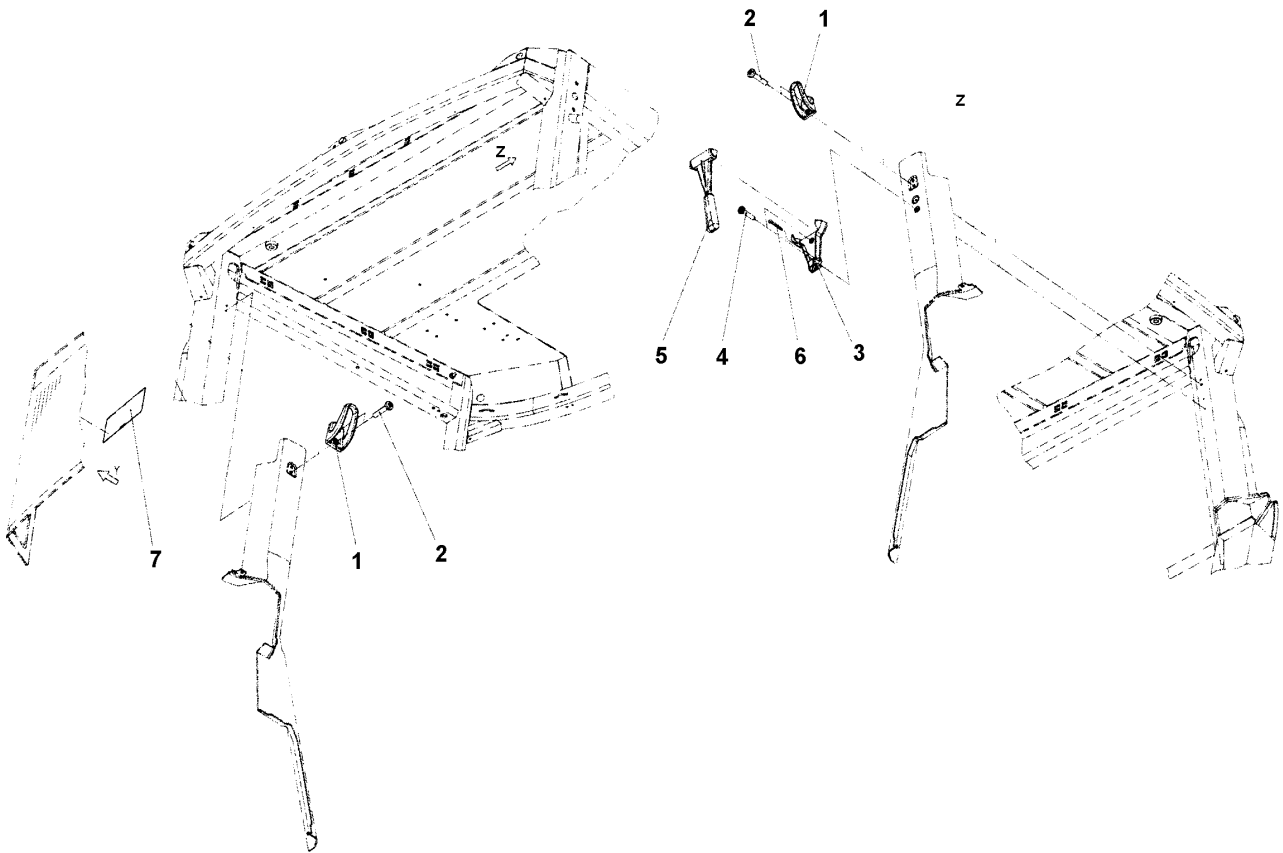
| Item | Part No. | Name | Qty | L | SN INFO |
|------|------------|----------------|-----|---|---------|
| 1 | - | Panel plate | 1 | | |
| 2 | 4700377508 | Knob | 2 | | |
| 3 | 4700938622 | Switch | 1 | | |
| 4 | - | Cover | 2 | | |
| 5 | 4700377507 | Rotary control | 1 | | |
| 6 | - | Overlay | 1 | | |
| 7 | 4700395841 | Wire clips | 1 | | |
| 8 | - | Wire | 1 | | |
| 9 | 4700395843 | Lock washer | 2 | | |

4812119364 Cab, cpl Comfort Cab, electrical equipment



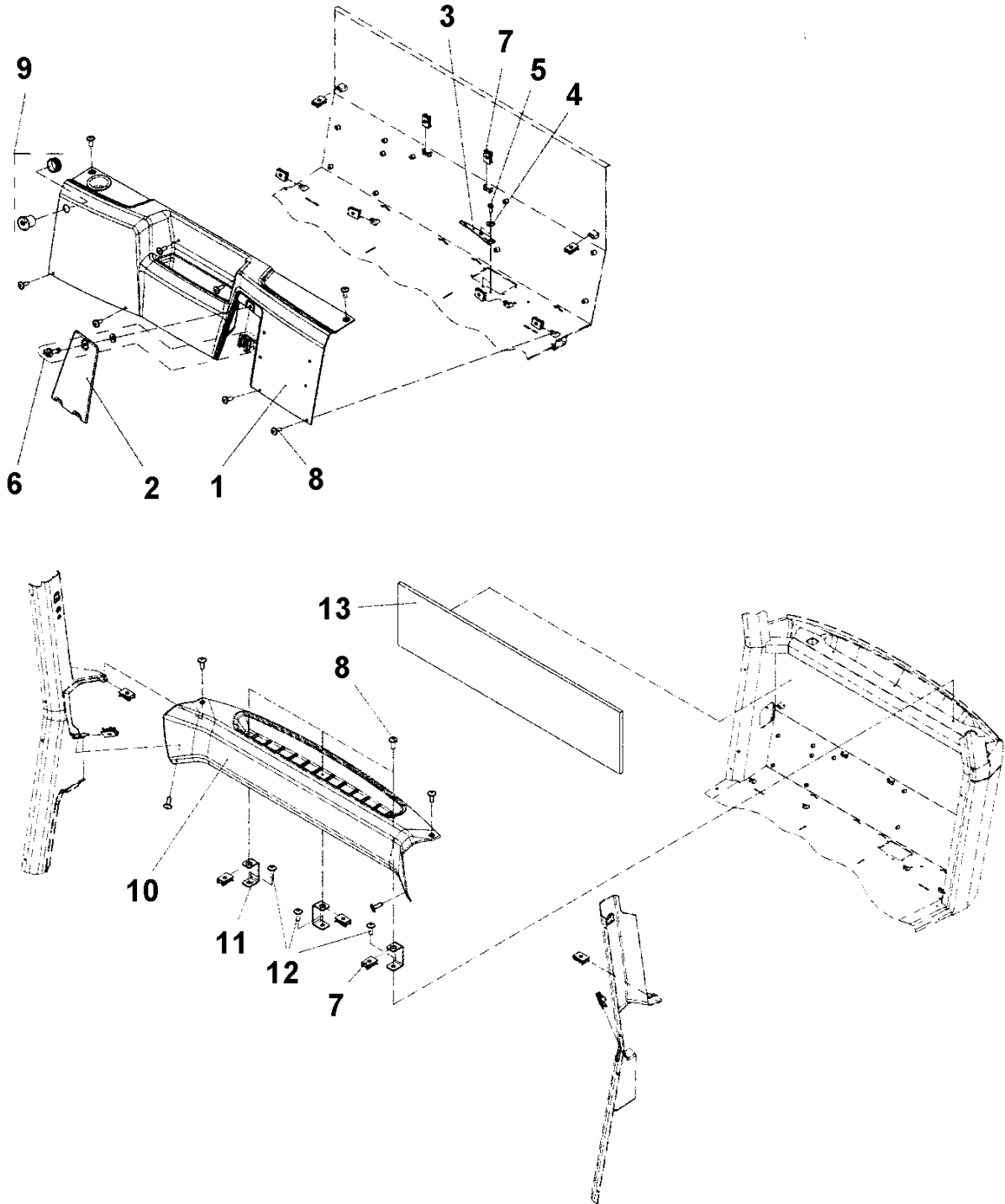
| Item | Part No. | Name | Qty | L | SN INFO |
|------|------------|---------------------------|-----|---|---------|
| 1 | 4812115184 | Bracket | 1 | | |
| 2 | 4700792309 | Relay | 1 | | |
| 3 | - | Screw | 2 | | |
| 4 | 4700904504 | Screw M5 x 18 | 2 | | |
| 5 | 4812115185 | Bracket | 1 | | |
| 6 | - | Screw | 3 | | |
| 7 | 4812115187 | Switch, Windshield wiper | 1 | | |
| 8 | 4700792505 | Switch, Windshield washer | 1 | | |
| 9 | 4700791185 | Fuse box | 1 | | |
| 10 | 4700901227 | Fuse 10A Red | 2 | | |
| 11 | 4700901228 | Fuse, 15A Blue | 1 | | |
| 12 | 4700791966 | Head screw M4 x 12 | 2 | | |

4812119364 Cab, cpl Comfort Emergency hammer, hook



| Item | Part No. | Name | Qty | L | SN INFO |
|------|------------|------------------------|-----|---|---------|
| 1 | 4700908505 | Hook | 2 | | |
| 2 | - | Screw | 4 | | |
| 3 | 4700908507 | Emergency hammer, hook | 1 | | |
| 4 | - | Screw | 2 | | |
| 5 | 4700908506 | Emergency hammer | 1 | | |
| 6 | - | Splint | 1 | | |
| 7 | 4700903590 | Decal emergency exit | 1 | | |

4812119364 Cab, cpl Comfort Cab, rear cover

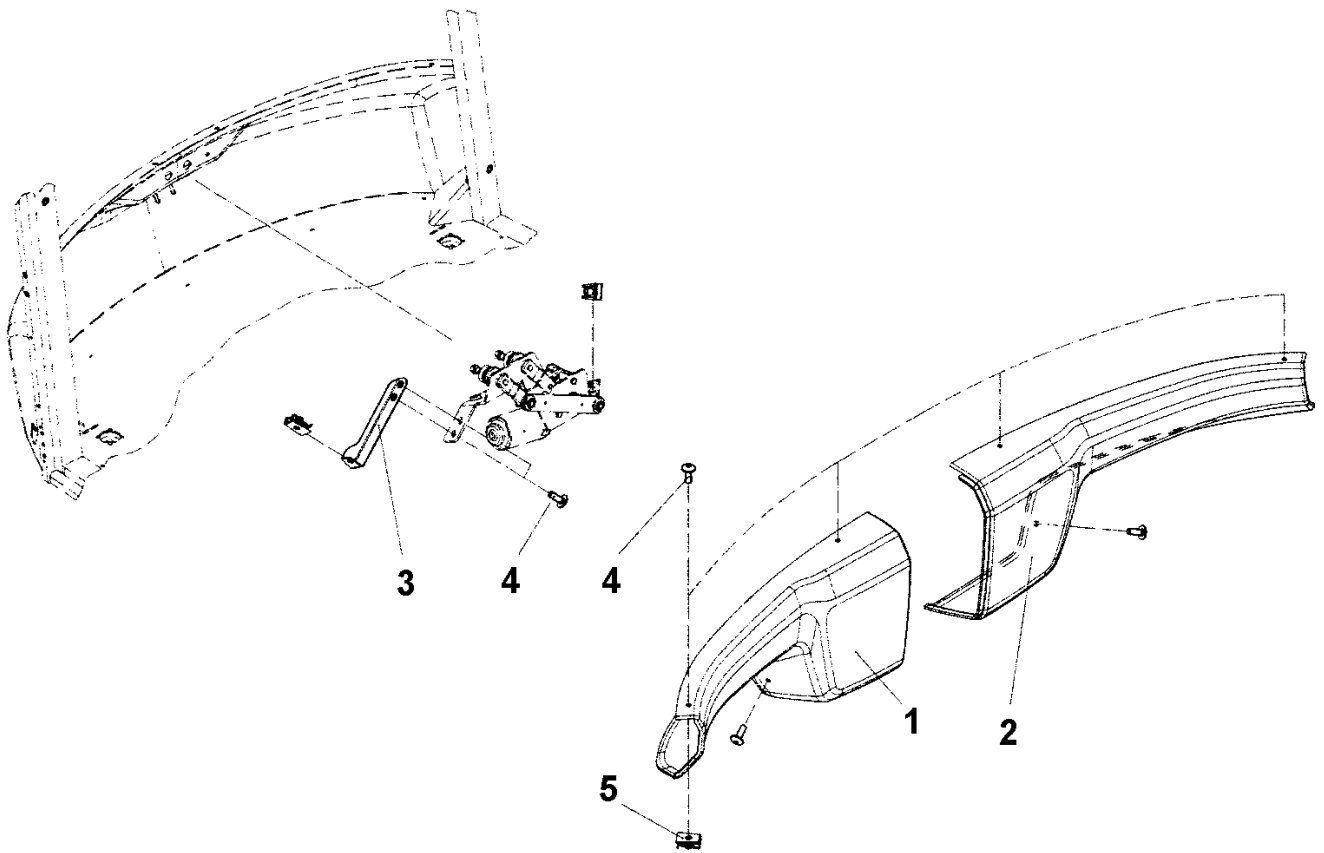


Refer to Parts Online for the most up to date information. The printed information might be outdated.

Fri Dec 11 01:19:06 MST 2015

| Item | Part No. | Name | Qty | L | SN INFO |
|------|------------|-----------------|-----|---|---------|
| 1 | 4812114573 | Cover | 1 | | |
| 2 | 4812114564 | Service cover | 1 | | |
| 3 | 4812114565 | Bracket | 1 | | |
| 4 | 4700601001 | Washer | 2 | | |
| 5 | 4700500004 | Screw M5x12 8,8 | 2 | | |
| 6 | 4812114566 | Turn fastener | 1 | | |
| 7 | 4812114567 | Speed nut | 15 | | |
| 8 | - | Screw | 15 | | |
| 9 | 4700395816 | Plug socket 24V | 1 | | |
| 10 | 4812114574 | Cover | 1 | | |
| 11 | 4812114575 | Bracket | 3 | | |
| 12 | - | Screw | 3 | | |
| 13 | 4812114576 | Cover | 1 | | |

4812119364 Cab, cpl Comfort Cab, front cover

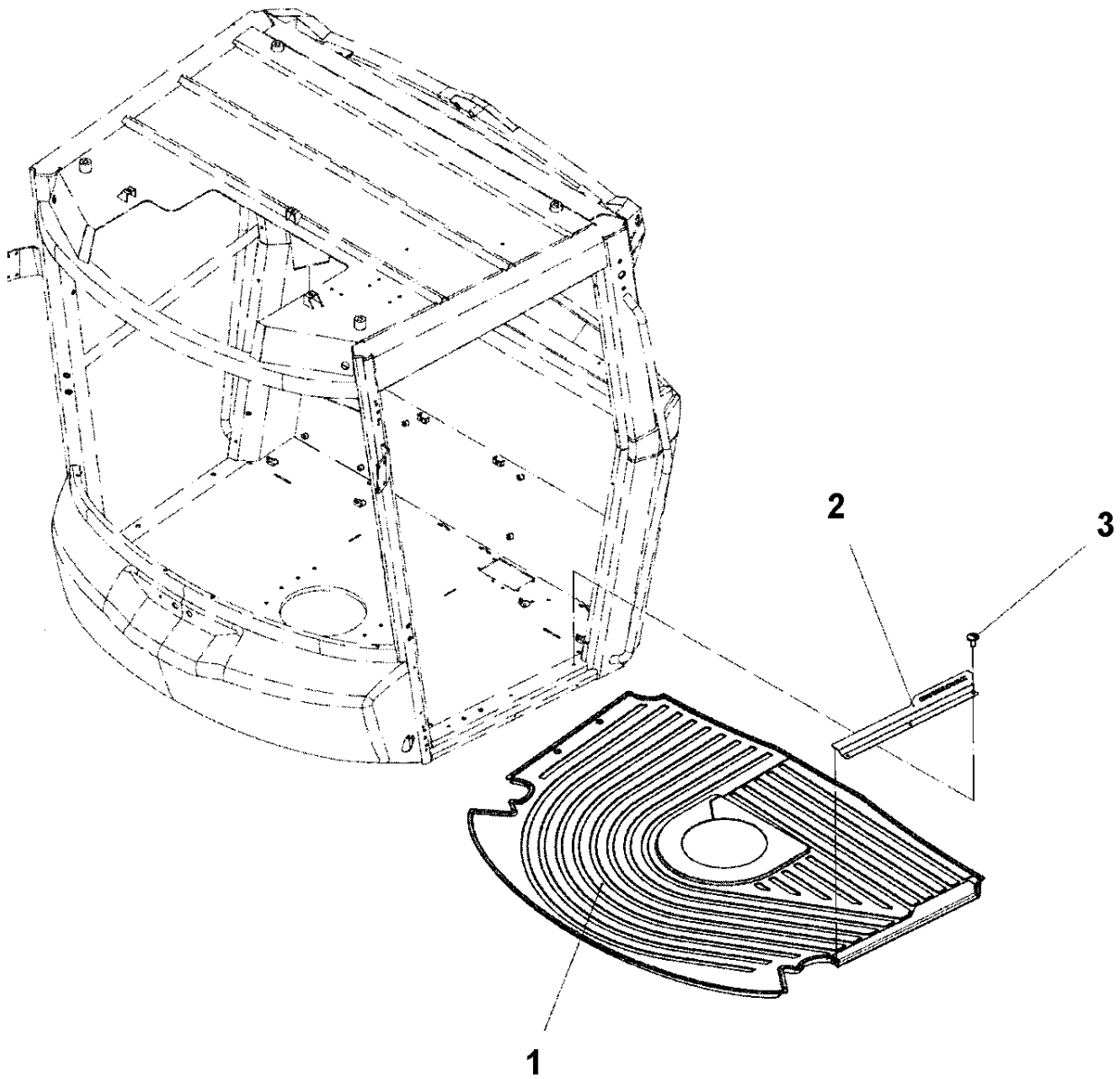


Refer to Parts Online for the most up to date information. The printed information might be outdated.

Fri Dec 11 01:19:06 MST 2015

| Item | Part No. | Name | Qty | L | SN INFO |
|------|------------|-----------|-----|---|---------|
| 1 | 4812114570 | Cover | 1 | | |
| 2 | 4812114571 | Cover | 1 | | |
| 3 | 4812114572 | Bracket | 1 | | |
| 4 | - | Screw | 8 | | |
| 5 | 4812114567 | Speed nut | 6 | | |

4812119364 Cab, cpl Comfort Floor mat

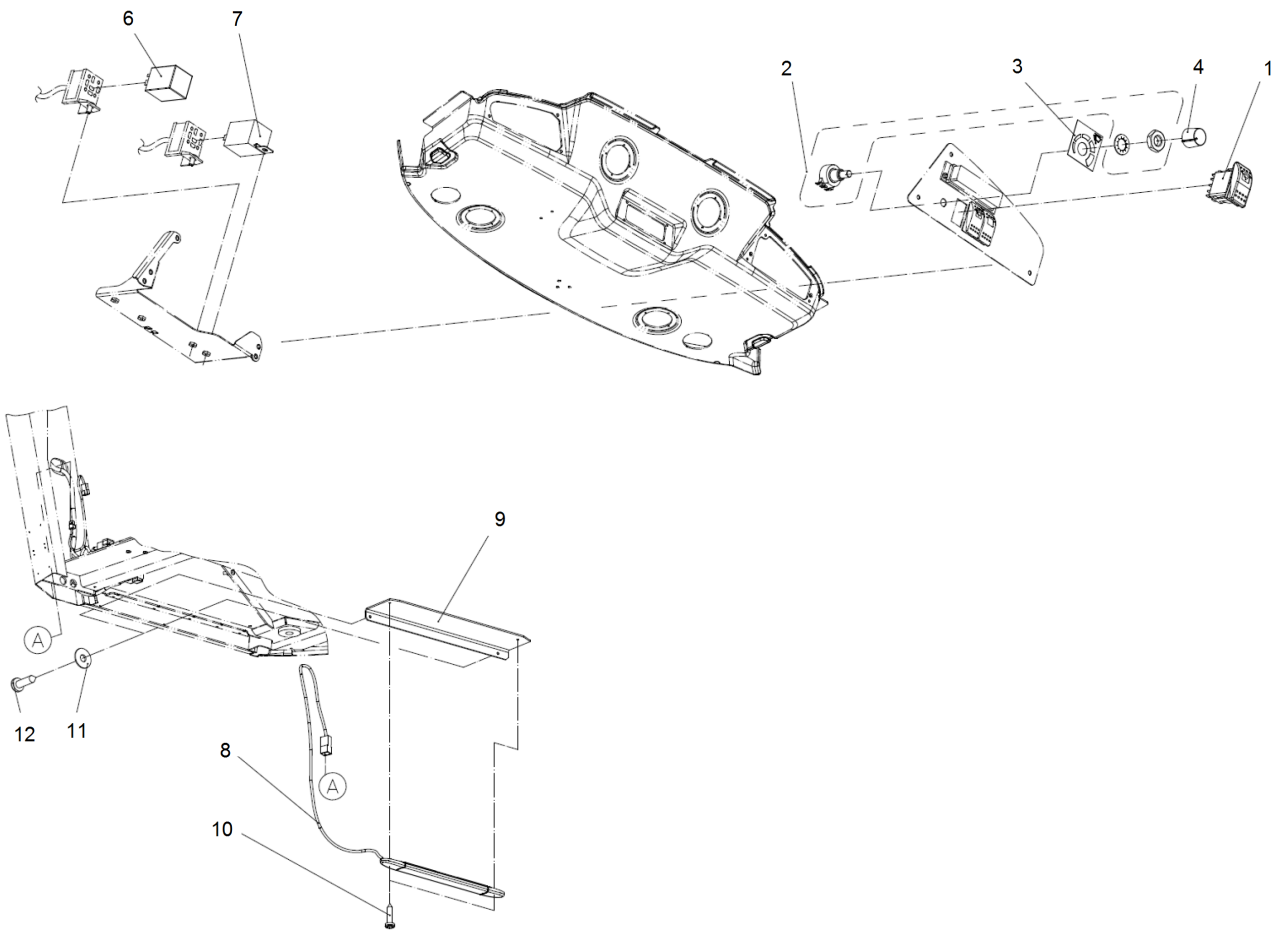


Refer to Parts Online for the most up to date information. The printed information might be outdated.

Fri Dec 11 01:19:06 MST 2015

| Item | Part No. | Name | Qty | L | SN INFO |
|------|------------|----------------|-----|---|---------|
| 1 | 4812115197 | Floor mat | 1 | | |
| 2 | 4812115198 | Entrance plate | 1 | | |
| 3 | - | Screw | 3 | | |

4812119364 Cab, cpl Comfort Step light, wiper switch

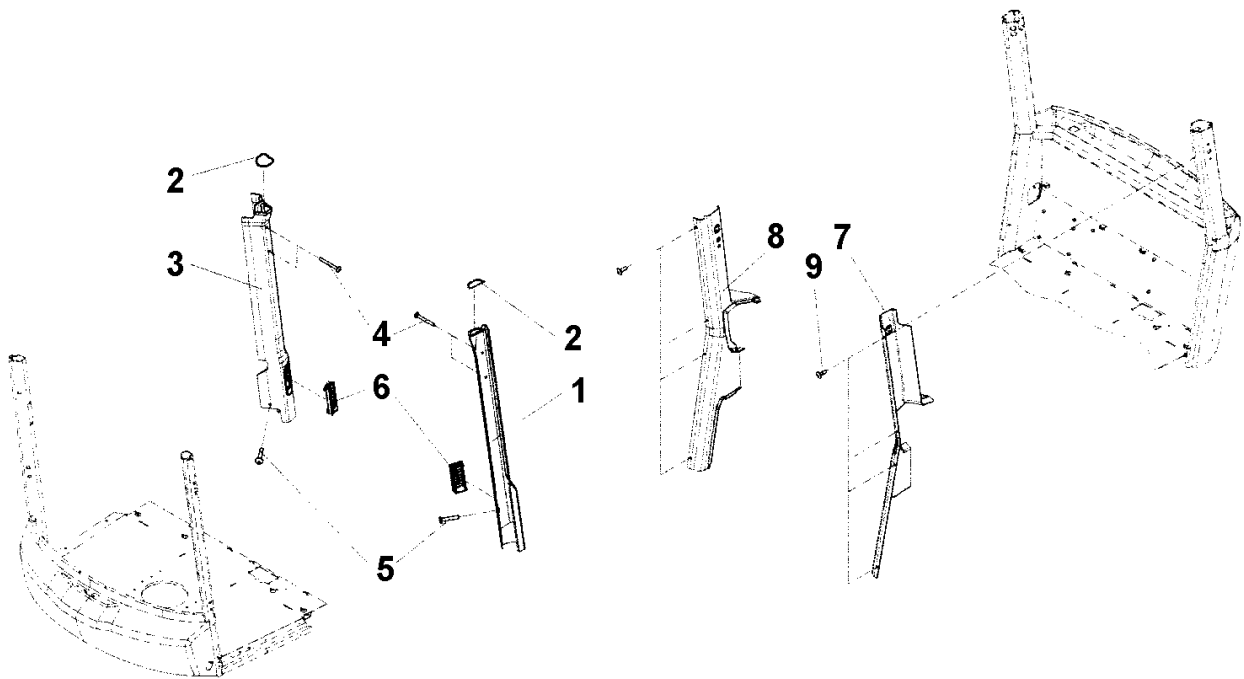


Refer to Parts Online for the most up to date information. The printed information might be outdated.

Fri Dec 11 01:19:07 MST 2015

| Item | Part No. | Name | Qty | L | SN INFO |
|------|------------|----------------------|-----|---|---------|
| 1 | 4812115188 | Switch, front wiper | 1 | | |
| 2 | 4812115189 | Potentiometer | 1 | | |
| 3 | - | Decal | 1 | | |
| 4 | 4812158859 | Turning knob | 1 | | |
| 6 | 4812115190 | Wiper Interval Relay | 1 | | |
| 7 | 4812115191 | Time control unit | 1 | | |
| 8 | 4812115199 | Step light | 1 | | |
| 9 | 4812115224 | Bracket | 1 | | |
| 10 | - | Screw | 2 | | |
| 11 | - | Washer | 2 | | |
| 12 | - | Screw | 2 | | |

4812119364 Cab, cpl Comfort Air channel



Refer to Parts Online for the most up to date information. The printed information might be outdated.

Fri Dec 11 01:19:08 MST 2015

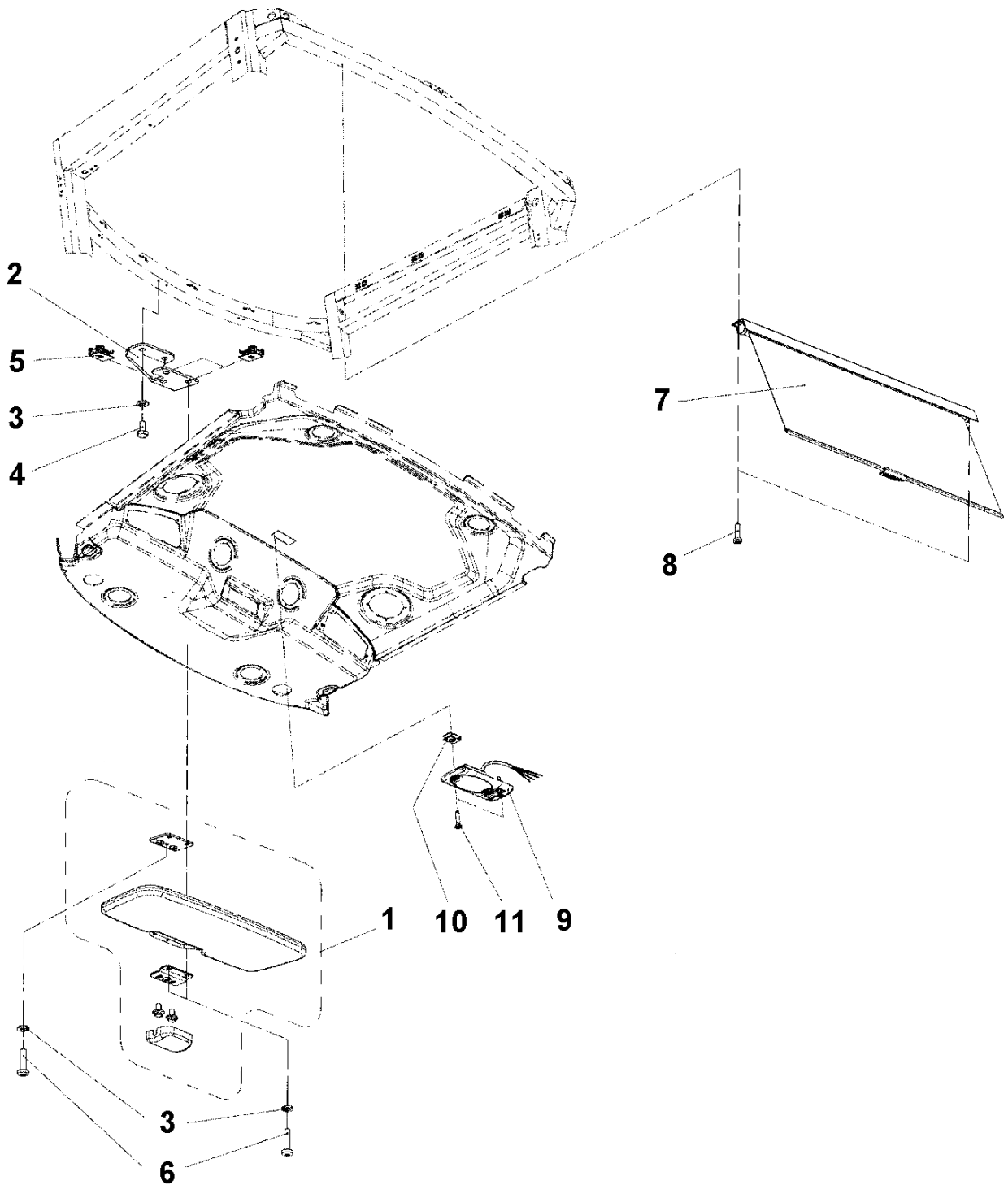
| Item | Part No. | Name | Qty | L | SN INFO |
|------|------------|-------------|-----|---|---------|
| 1 | 4812114577 | Air channel | 1 | | |
| 2 | - | Seal | 2XL | A | |
| 3 | 4812114578 | Air channel | 1 | | |
| 4 | - | Screw | 4 | | |
| 5 | - | Screw | 2 | | |
| 6 | 4812114579 | Air nozzle | 2 | | |
| 7 | 4812114580 | Cover | 1 | | |
| 8 | 4812114581 | Cover | 1 | | |
| 9 | - | Screw | 8 | | |

Comments for Page: Air channel

(L)OCAL REMARKS

A | en_US | L=0.195m

4812119364 Cab, cpl Comfort Sun-blind, inner light

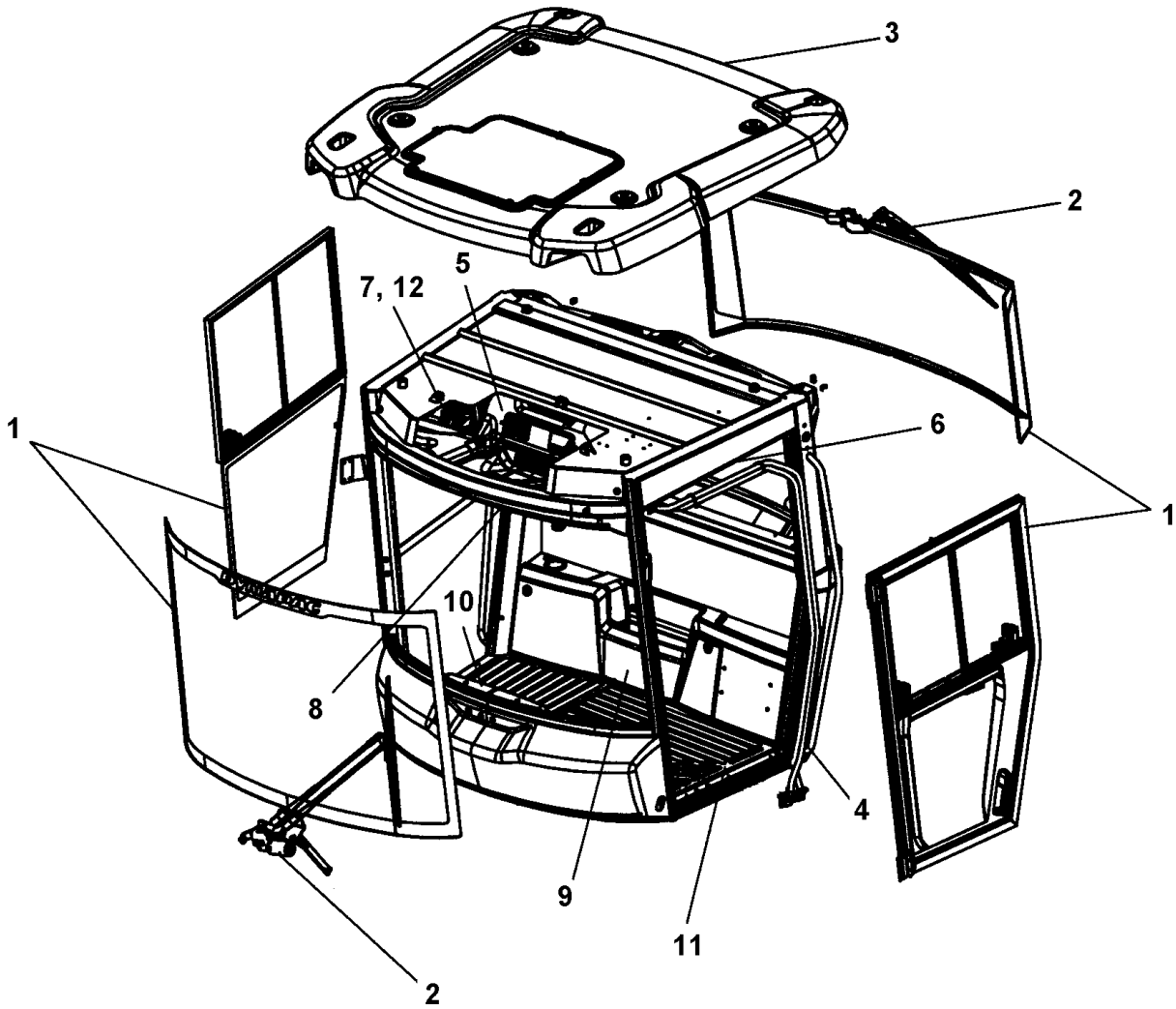


Refer to Parts Online for the most up to date information. The printed information might be outdated.

Fri Dec 11 01:19:09 MST 2015

| Item | Part No. | Name | Qty | L | SN INFO |
|------|------------|-----------------------------|-----|---|---------|
| 1 | 4812114582 | Sun-blind | 1 | | |
| 2 | 4812114583 | Bracket | 1 | | |
| 3 | 4700904228 | Washer 6.4x12x1.5 mm 300 HV | 5 | | |
| 4 | 4700500012 | Hex. screw | 2 | | |
| 5 | 4812114567 | Speed nut | 3 | | |
| 6 | 4700791171 | Screw | 3 | | |
| 7 | 4812114584 | Sun-blind | 1 | | |
| 8 | 4700904206 | Screw, M6x16 mm | 2 | | |
| 9 | 4812114585 | Inner light | 1 | | |
| 10 | - | Nut | 2 | | |
| 11 | - | Screw | 2 | | |

4812119365 Cab, cpl Basic 4812119365 Cab, cpl Basic

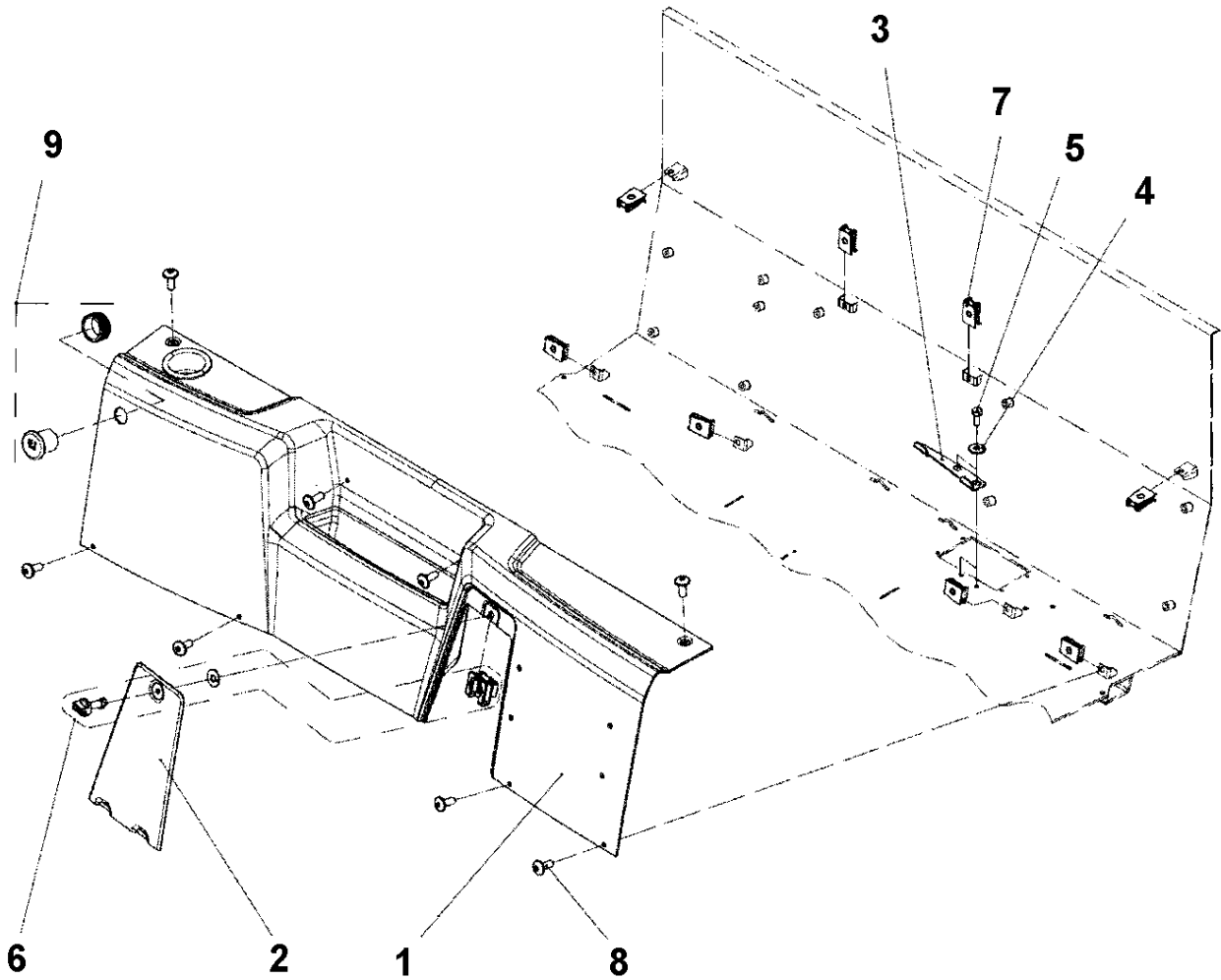


Refer to Parts Online for the most up to date information. The printed information might be outdated.

Fri Dec 11 01:19:10 MST 2015

| Item | Part No. | Name | Qty | L | SN INFO |
|------|------------|---------------------------|-----|---|---------|
| 1 | - | Screens | 1 | | |
| 2 | - | Windshield wiper | 1 | | |
| 3 | - | Roof | 1 | | |
| 4 | - | Hose kit heater | 1 | | |
| 5 | - | Cab Interior | 1 | | |
| 6 | - | Cab cable harness | 1 | | |
| 7 | - | Cab, electrical equipment | 1 | | |
| 8 | - | Emergency hammer, hook | 1 | | |
| 9 | - | Cab, rear cover | 1 | | |
| 10 | - | Cab, front cover | 1 | | |
| 11 | 4812114568 | Floor mat | 1 | | |
| 12 | - | Wiper switch, front | 1 | | |
| 14 | - | Cab, basic kit | 1 | | |
| 15 | | Rops | 1 | | |

4812119365 Cab, cpl Basic Cab, rear cover

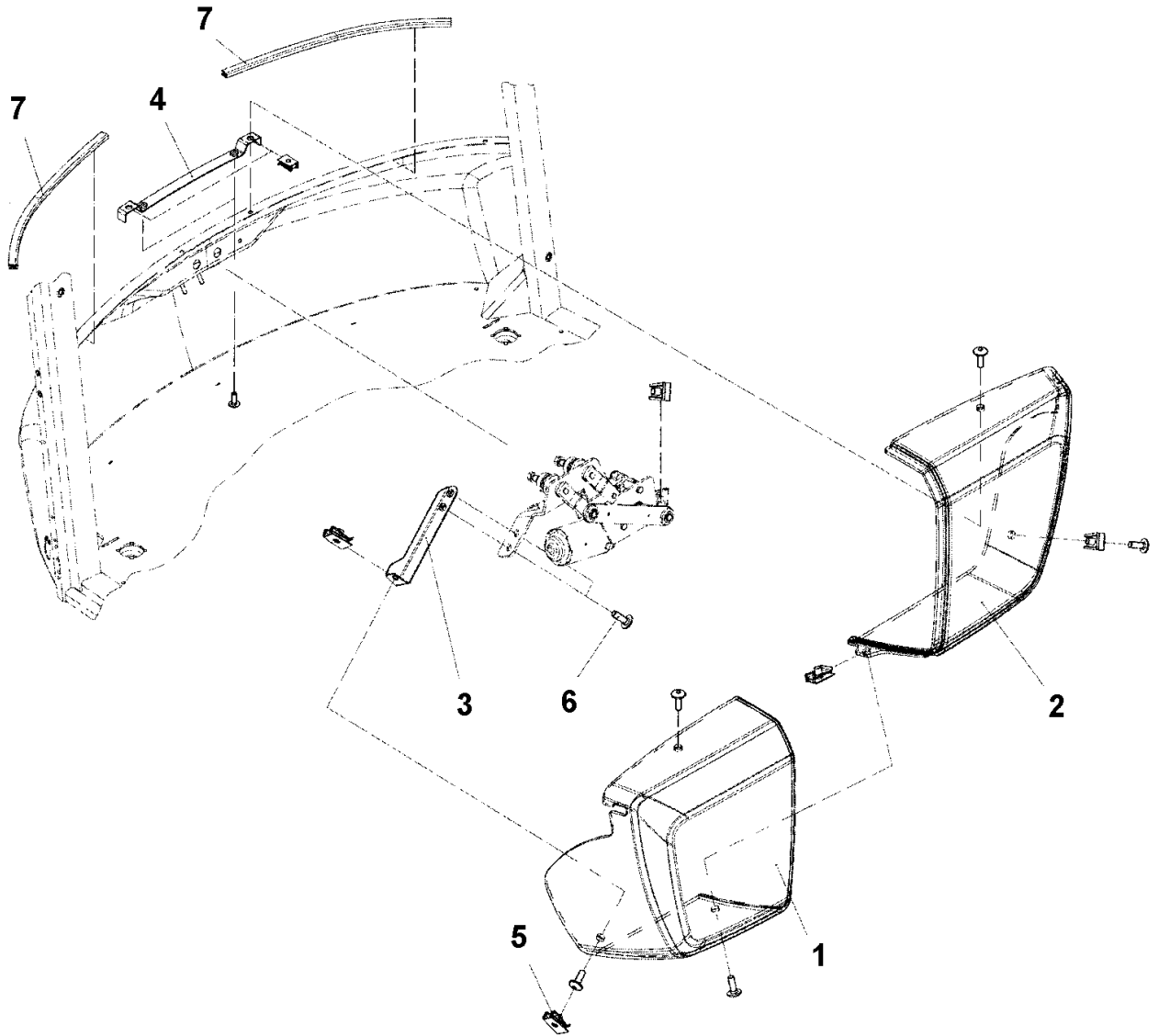


Refer to Parts Online for the most up to date information. The printed information might be outdated.

Fri Dec 11 01:19:11 MST 2015

| Item | Part No. | Name | Qty | L | SN INFO |
|------|------------|-----------------|-----|---|---------|
| 1 | 4812114563 | Rear cover | 1 | | |
| 2 | 4812114564 | Service cover | 1 | | |
| 3 | 4812114565 | Bracket | 1 | | |
| 4 | 4700601001 | Washer | 2 | | |
| 5 | 4700500004 | Screw M5x12 8,8 | 2 | | |
| 6 | 4812114566 | Turn fastener | 1 | | |
| 7 | 4812114567 | Speed nut | 8 | | |
| 8 | - | Screw | 8 | | |
| 9 | - | Socket, 24V | 1 | | |

4812119365 Cab, cpl Basic Cab, front cover



Refer to Parts Online for the most up to date information. The printed information might be outdated.

Fri Dec 11 01:19:11 MST 2015

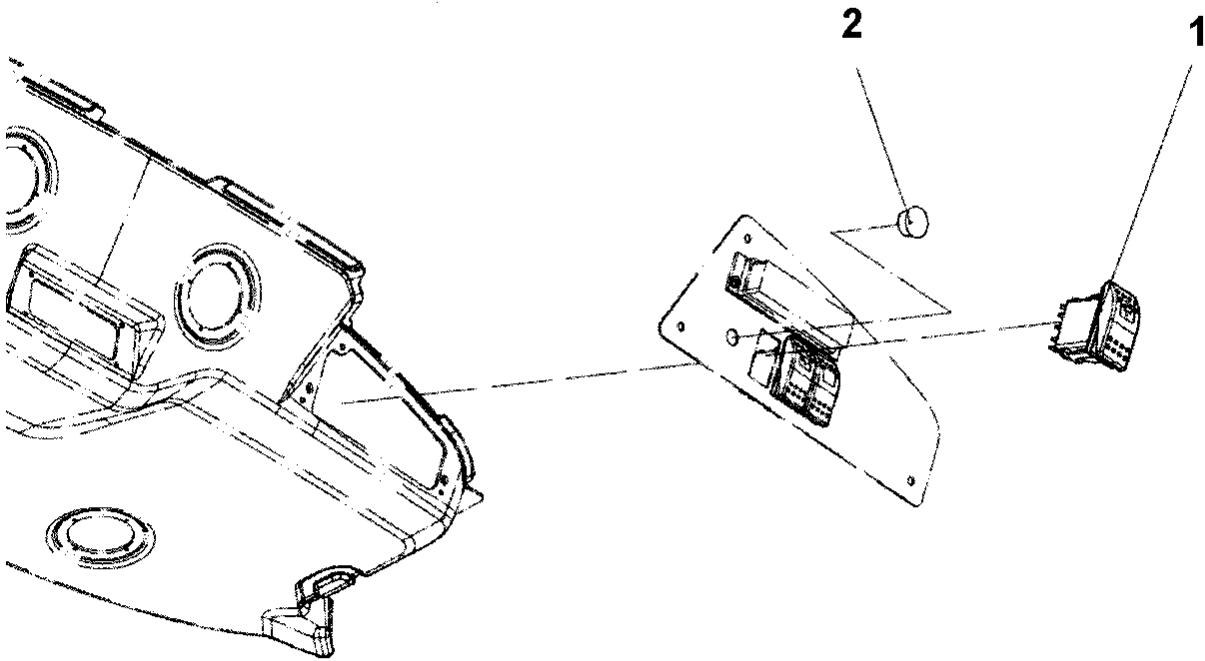
| Item | Part No. | Name | Qty | L | SN INFO |
|------|------------|-------------------|-----|---|---------|
| 1 | - | Front cover Left | 1 | | |
| 2 | - | Front cover Right | 1 | | |
| 3 | 4812114572 | Bracket | 1 | | |
| 4 | - | Bracket | 1 | | |
| 5 | 4812114567 | Speed nut | 5 | | |
| 6 | - | Screw | 9 | | |
| 7 | 4700202028 | Edge trim | 2XL | A | |

Comments for Page: Cab, front cover

(L)OCAL REMARKS

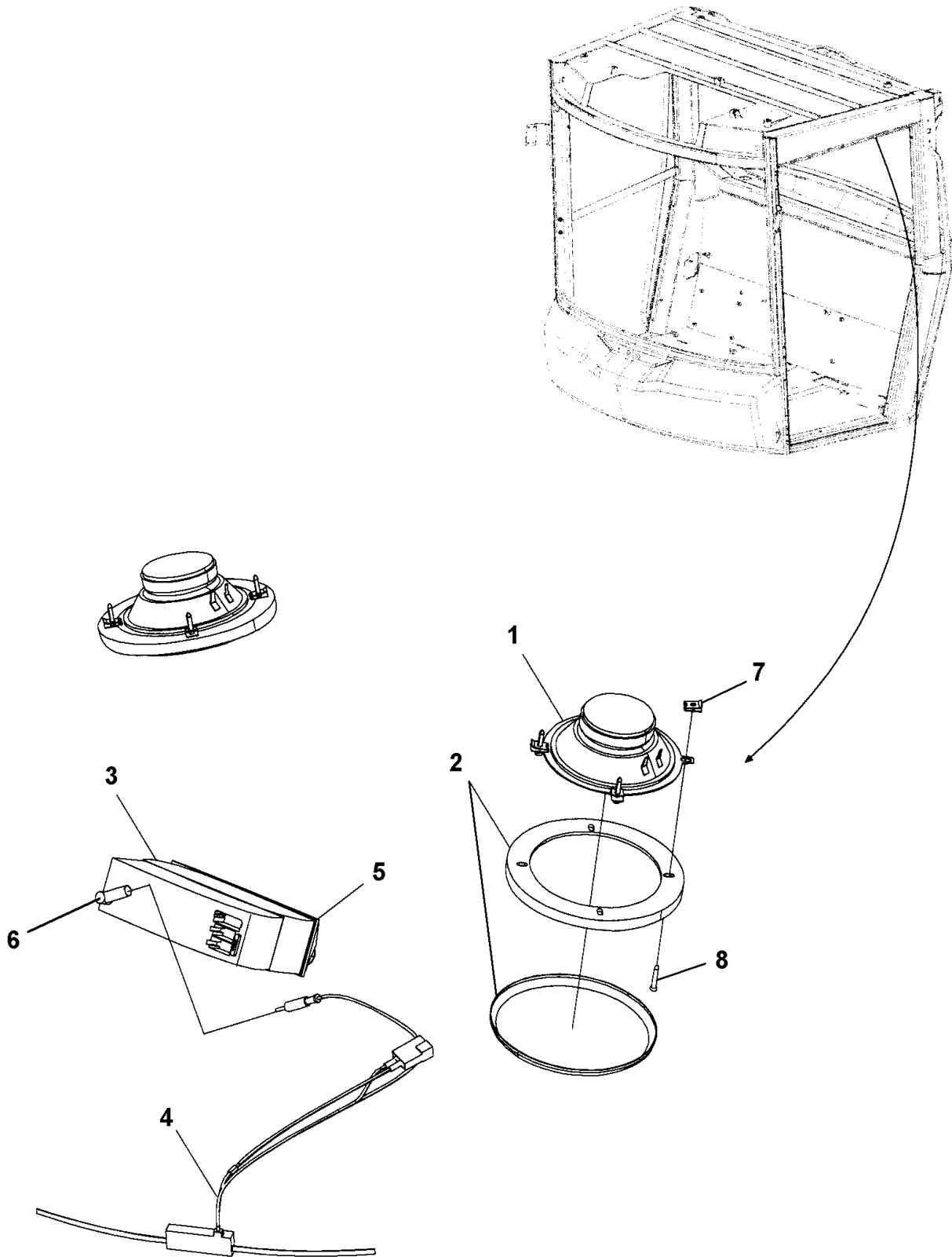
A | en_US | L=0.473m

4812119365 Cab, cpl Basic Wiper switch, front



| Item | Part No. | Name | Qty | L | SN INFO |
|------|------------|--------|-----|---|---------|
| 1 | 4812115192 | Switch | 1 | | |
| 2 | - | Plug | 1 | | |

Drivers platform Car stereo module, option

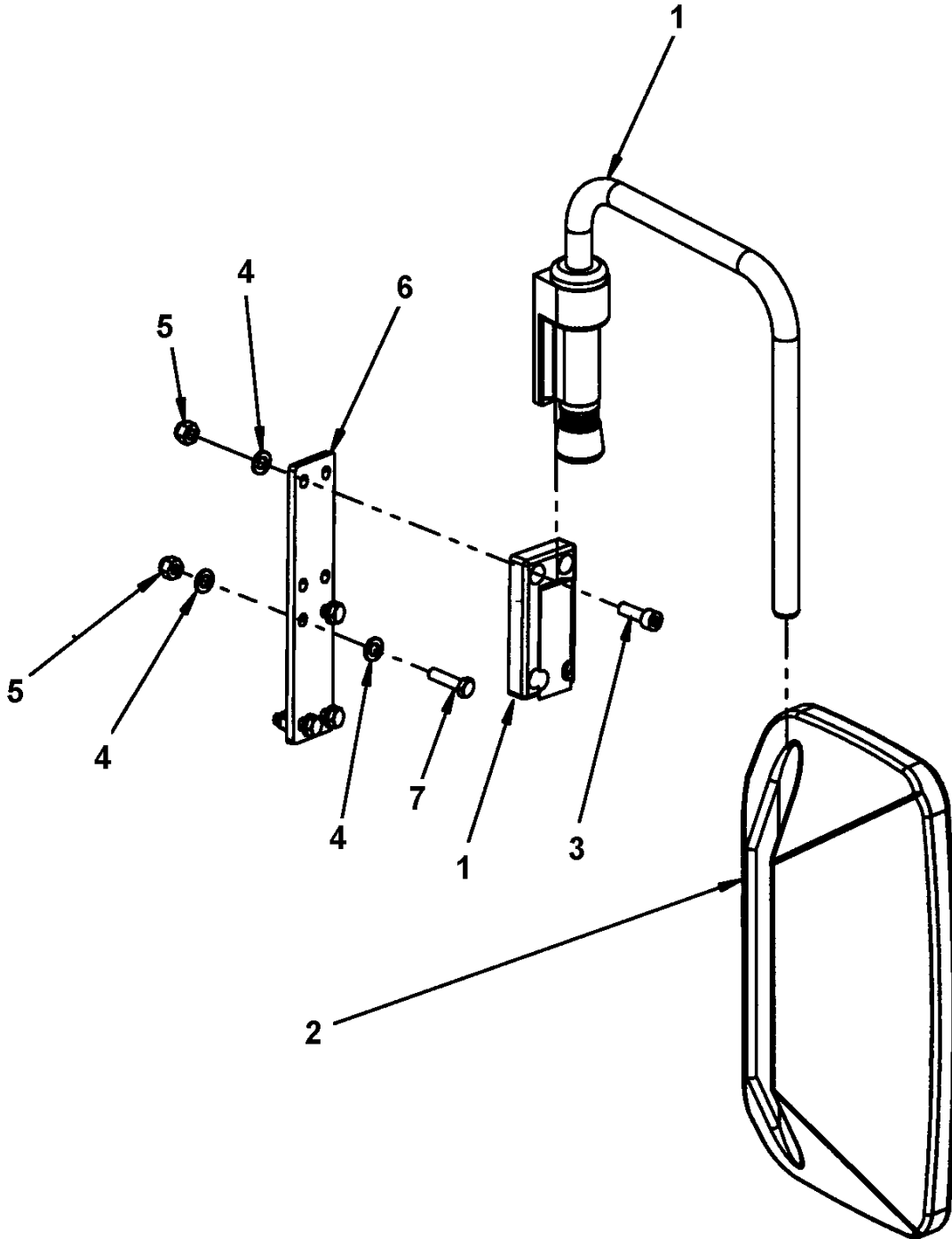


Refer to Parts Online for the most up to date information. The printed information might be outdated.

Fri Dec 11 01:19:12 MST 2015

| Item | Part No. | Name | Qty | L | SN INFO |
|------|------------|--------------------|-----|---|---------|
| 1 | 4811000268 | Loud speaker | 2 | | |
| 2 | 4811000269 | Loud speaker cover | 2 | | |
| 3 | 4811000265 | Car stereo | 1 | | |
| 4 | 4812114194 | Antenna | 1 | | |
| 5 | 4812116986 | Spacer frame | 1 | | |
| 6 | 4812119306 | Antenna adapter | 1 | | |
| 7 | 4700791970 | Speed nut | 8 | | |
| 8 | 4812119327 | Tapping screw | 8 | | |

Drivers platform Rear view mirror



Refer to Parts Online for the most up to date information. The printed information might be outdated.

Fri Dec 11 01:19:12 MST 2015

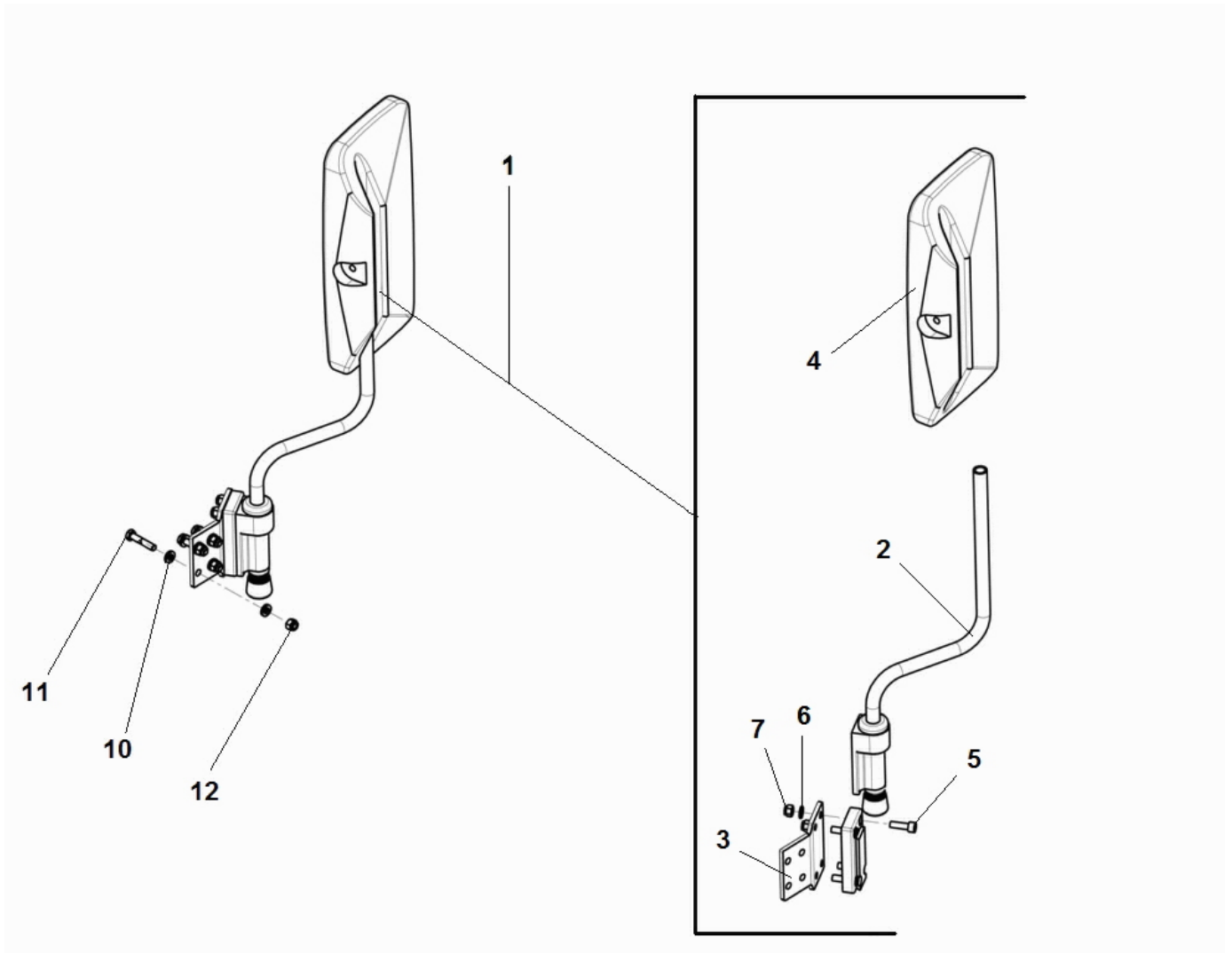
| Item | Part No. | Name | Qty | L | SN INFO |
|------|------------|--------------------|-----|---|---------|
| 1 | 4812110367 | Bracket | 1 | | |
| 2 | 4700381943 | Mirror | 1 | | |
| 3 | 4700508019 | Cylinder screw | 4 | | |
| 4 | 4700904229 | Steel plain washer | 12 | | |
| 5 | 4700586003 | Nut, M8 | 12 | | |
| 6 | 4812117964 | Bracket | 1 | A | |
| 7 | 4700500022 | Screw | 4 | | |

Comments for Page: Rear view mirror

(L)OCAL REMARKS

A | en_US | Not used on all models.

Drivers platform Rear view mirror module



Refer to Parts Online for the most up to date information. The printed information might be outdated.

Fri Dec 11 01:19:13 MST 2015

| Item | Part No. | Name | Qty | L | SN INFO |
|------|------------|---------------------------|-----|---|---------|
| 1 | 4812110352 | Mirror assy | 1 | | |
| 2 | 4700381944 | Holder | 1 | | |
| 3 | 4700392316 | Bracket | 1 | | |
| 4 | 4700381943 | Mirror | 1 | | |
| 5 | 4700508019 | Cylinder screw | 4 | | |
| 6 | 4700904229 | Steel plain washer | 4 | | |
| 7 | 4700586003 | Nut, M8 | 4 | | |
| 10 | 4700904556 | Steel plain washer | 8 | | |
| 11 | 4700500024 | Screw M8x45 | 4 | A | |
| 12 | 4700586003 | Nut, M8 | 4 | | |
| 13 | 4700500025 | Screw, M8 x 50 mm 8.8 A2K | 4 | B | |
| 14 | 4700500067 | Screw | 4 | C | |

Comments for Page: Rear view mirror module

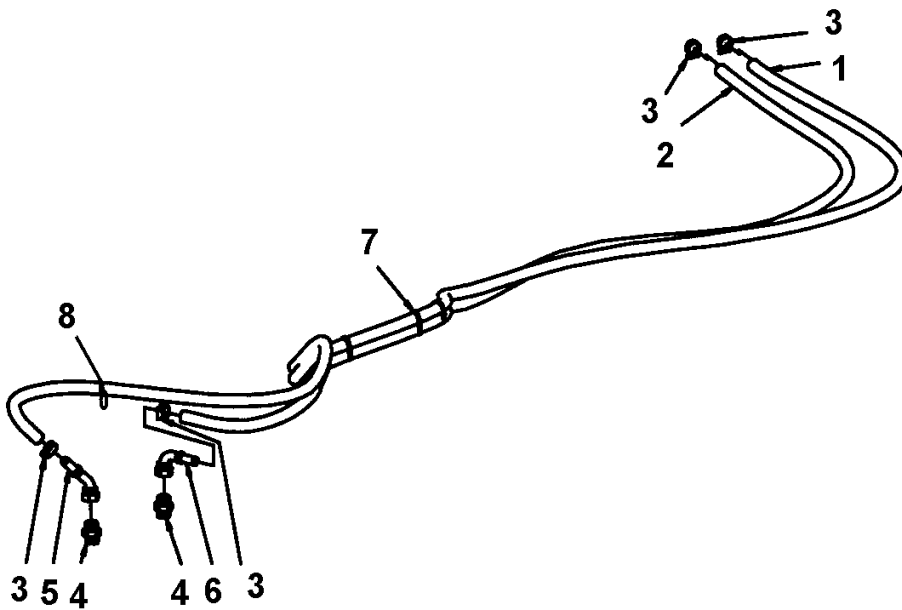
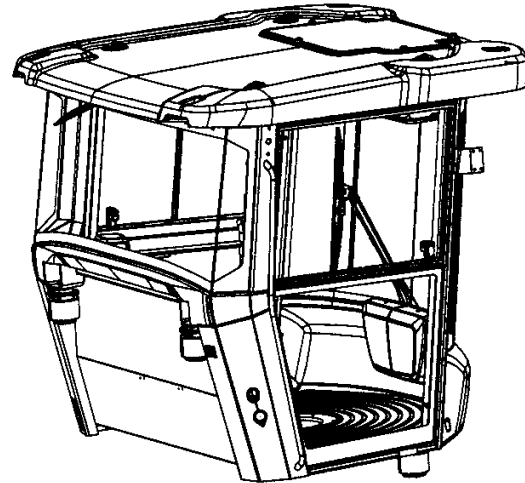
(L)OCAL REMARKS

A | en_US | Used on machines with Handrails.

B | en_US | Used on machines with Handrails and Canopy.

C | en_US | Used on mashines with Handrails, Canopy and additional Work lights.

Drivers platform Hose assy kit, heater



| Item | Part No. | Name | Qty | L | SN INFO |
|------|------------|-------------------------|-----|---|---------|
| 1 | 4700205112 | Coolant hose | 1XL | A | |
| 2 | 4700205112 | Coolant hose | 1XL | B | |
| 3 | 4700313004 | Hose clamp 19-29mm | 4 | | |
| 3 | 4700313003 | Hose clamp | 4 | | |
| 4 | 4812115026 | Straight connector orfs | 2 | | |
| 5 | 4812115011 | Hose connection | 1 | | |
| 6 | 4812115019 | Hose connection | 1 | | |
| 7 | 4700313041 | Cable tie | N | | |
| 8 | 4812117248 | Cable tie with holder | 1 | | |

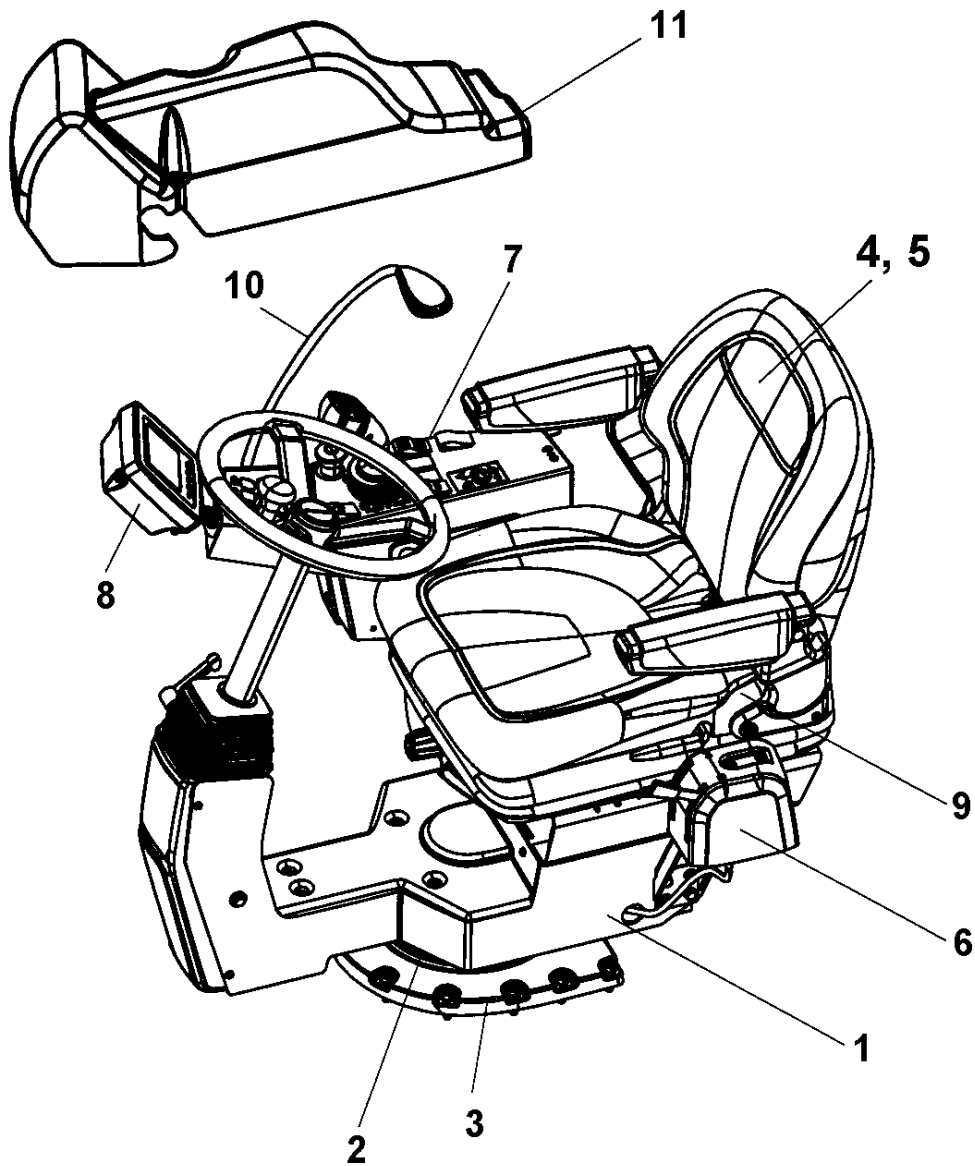
Comments for Page: Hose assy kit, heater

(L)OCAL REMARKS

A | en_US | L=3.85m

B | en_US | L=3.25m

Drivers seat Drivers seat



Refer to Parts Online for the most up to date information. The printed information might be outdated.

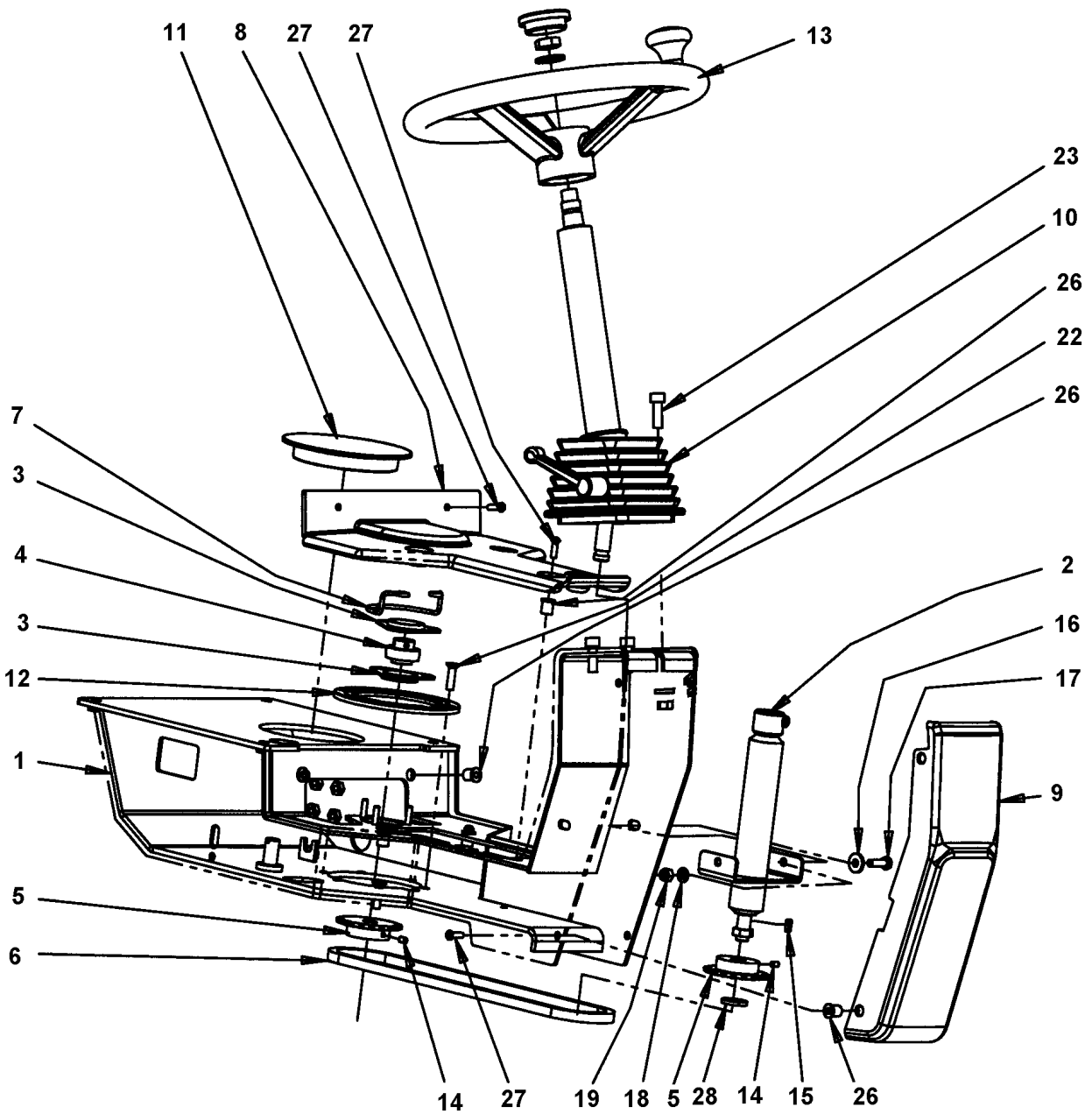
Fri Dec 11 01:19:15 MST 2015

| Item | Part No. | Name | Qty | L | SN INFO |
|------|----------|-------------------------------------|-----|---|---------|
| 1 | - | Seat frame structure | 1 | | |
| 2 | - | Seat frame adapter module, rotating | 1 | | |
| 2 | - | Seat frame adapter module, fixed | 1 | | |
| 3 | - | Floor cassette module | 1 | | |
| 4 | - | Seat, fabric suspended | 1 | | |
| 5 | - | Seat, galon suspended | 1 | | |
| 6 | - | Control module | 1 | | |
| 7 | - | Forward reverse control module | 1 | | |
| 8 | - | Display unit | 1 | | |
| 9 | - | Seat belt 2" | 1 | | |
| 9 | - | Seat belt 3" | 1 | A | |
| 9 | - | Seat belt 2" with reminder | 1 | A | |
| 9 | - | Seat belt 3" with reminder | 1 | A | |
| 10 | - | Reading light | 1 | | |
| 11 | - | Control panel cover | 1 | | |

Comments for Page: Drivers seat

(L)OCAL REMARKS

A | en_US | Option.

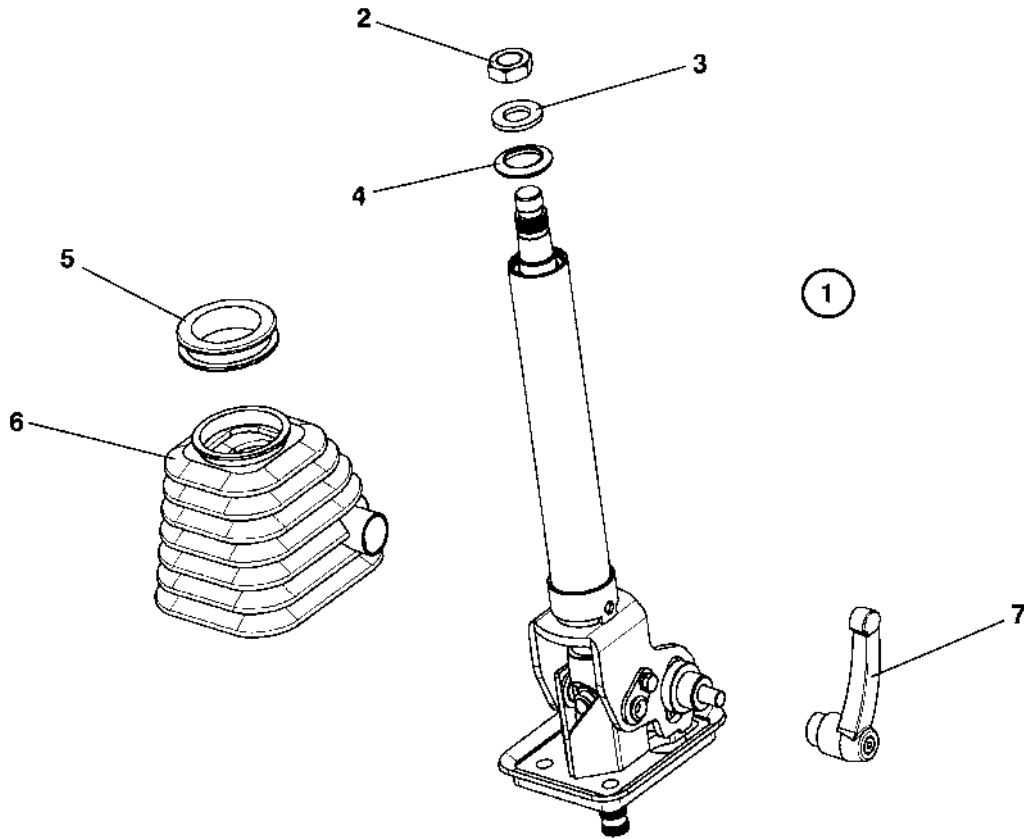
Drivers seat Seat frame structure

Refer to Parts Online for the most up to date information. The printed information might be outdated.

Fri Dec 11 01:19:17 MST 2015

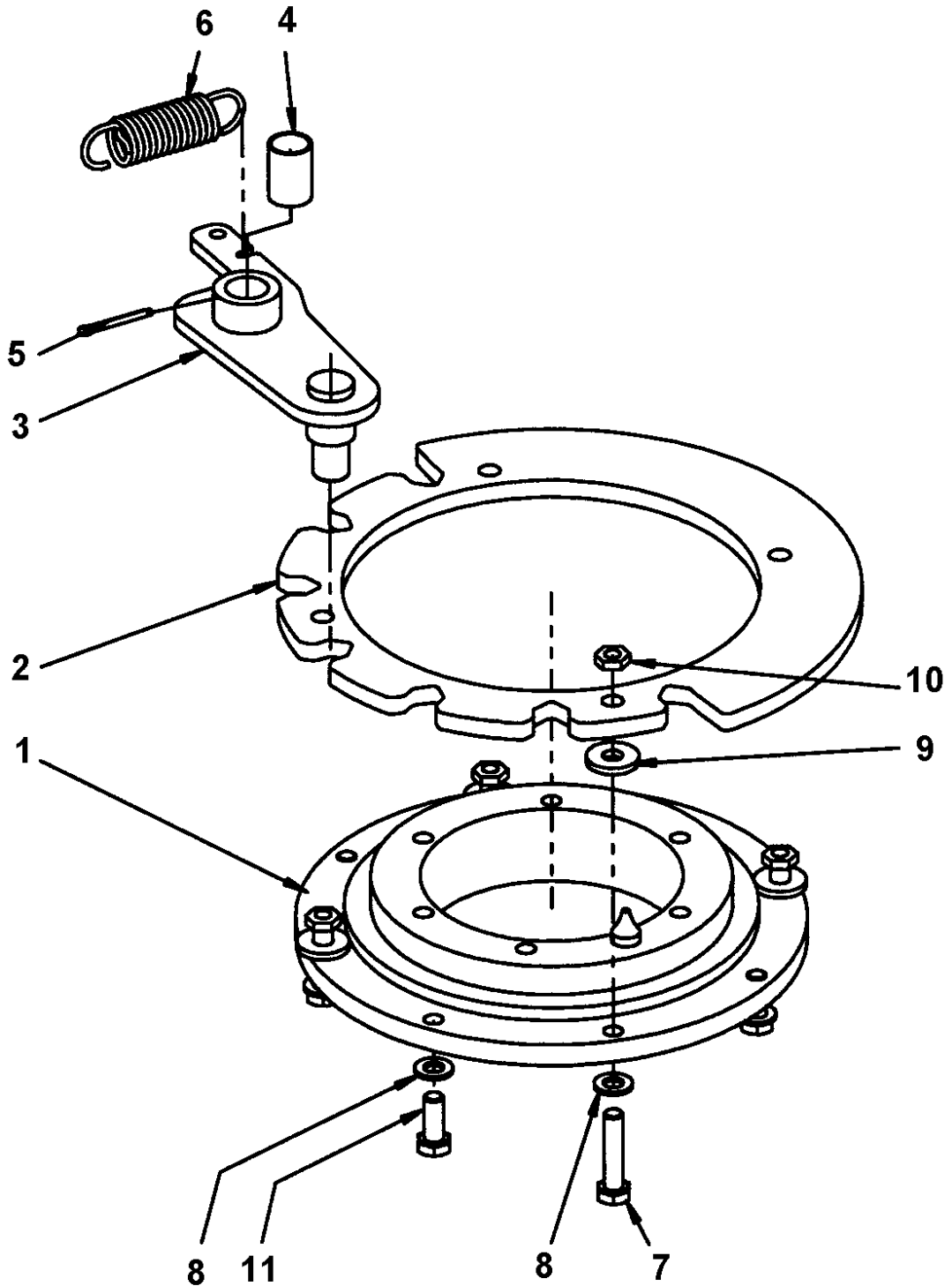
| Item | Part No. | Name | Qty | L | SN INFO |
|------|------------|---------------------------|-----|---|---------|
| 1 | 4700395447 | Seat frame | 1 | | |
| 2 | 4700359919 | Shaft | 1 | | |
| 3 | 4700903917 | Bearing outer | 2 | | |
| 4 | 4700903918 | Bearing inner | 1 | | |
| 5 | 4700359916 | Chain wheel | 2 | | |
| 6 | 4700379718 | Chain and connecting link | 1 | | |
| 7 | 4700372672 | Chain guard | 1 | | |
| 8 | 4700392839 | Cover | 1 | | |
| 9 | 4700392840 | Cover | 1 | | |
| 10 | 4700391163 | Steering column | 1 | | |
| 11 | 4700359920 | Plug | 1 | | |
| 12 | 4700372965 | Lock ring | 1 | | |
| 13 | 4700372964 | Steering wheel | 1 | | |
| 14 | 4700516040 | Threaded pin | 2 | | |
| 15 | 4700350009 | Flat key | 1 | | |
| 16 | 4700904640 | Washer, 8.4x22x3 mm 300HV | 2 | | |
| 17 | 4700500021 | Hex. screw | 2 | | |
| 18 | 4700904229 | Steel plain washer | 2 | | |
| 19 | 4700586003 | Nut, M8 | 2 | | |
| 22 | 4700902520 | Screw | 6 | | |
| 23 | 4700508029 | Cylinder screw | 3 | | |
| 26 | 4700792539 | Rubber nut | 10 | | |
| 27 | 4700791524 | Screw, M6 x 20 mm A2-70 | 10 | | |
| 28 | 4700904214 | Washer 15x30x4 300 HV | 1 | | |

Drivers seat 4700391163 Steering column



| Item | Part No. | Name | Qty | L | SN INFO |
|------|------------|-----------------|-----|---|---------|
| 1 | 4700391163 | Steering column | | | |
| 2 | 4700945632 | Nut | 1 | | |
| 3 | 4700945633 | Washer | 1 | | |
| 4 | 4700945634 | Rubber cap | 1 | | |
| 5 | 4700945635 | Bellows ring | 1 | | |
| 6 | 4700945636 | Bellows | 1 | | |
| 7 | 4700945637 | Locking handle | 1 | | |

Drivers seat Seat frame adapter module, rotating

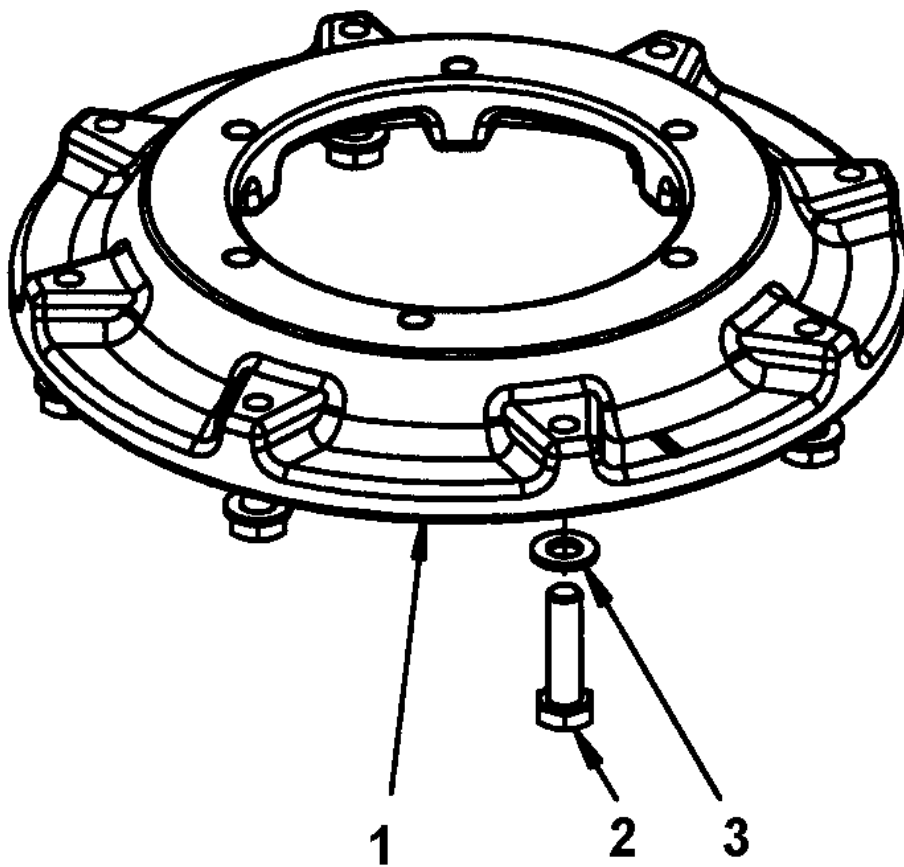


Refer to Parts Online for the most up to date information. The printed information might be outdated.

Fri Dec 11 01:19:18 MST 2015

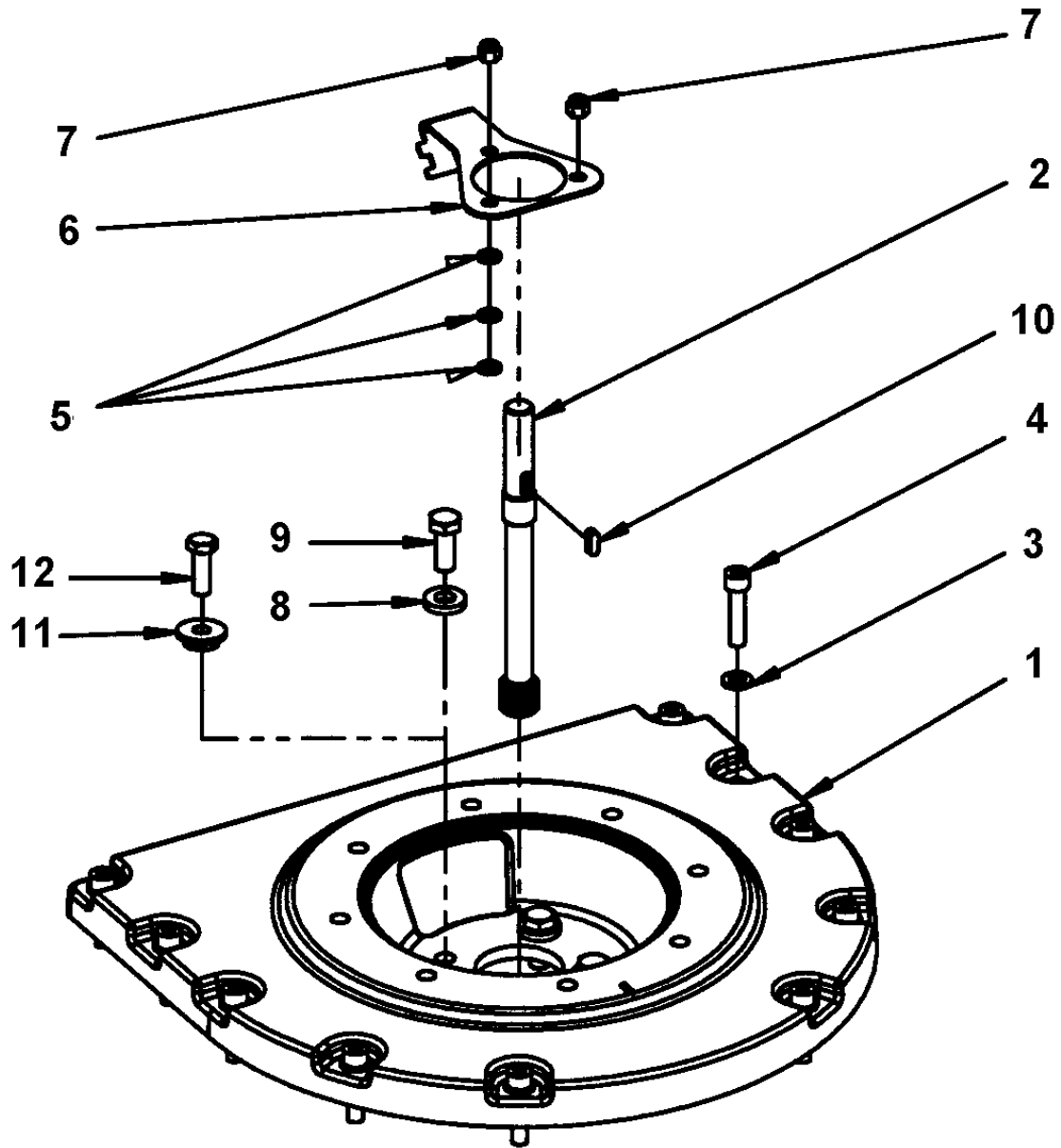
| Item | Part No. | Name | Qty | L | SN INFO |
|------|------------|---------------------------|-----|---|---------|
| 1 | 4700359125 | Ball bearing | 1 | | |
| 2 | 4700379728 | Locking disc | 1 | | |
| 3 | 4812119788 | Coupling link | 1 | | |
| 4 | 4700359819 | Bushing | 1 | | |
| 5 | 4700630008 | Pin | 1 | | |
| 6 | 4700359043 | Spring | 1 | | |
| 7 | 4700792678 | Screw | 4 | | |
| 8 | 4700904229 | Steel plain washer | 8 | | |
| 9 | 4700904640 | Washer, 8.4x22x3 mm 300HV | 4 | | |
| 10 | 4700573008 | Nut M8 | 4 | | |
| 11 | 4700947679 | Hex screw | 4 | | |

Drivers seat Seat frame adapter module, fixed



| Item | Part No. | Name | Qty | L | SN INFO |
|------|------------|--------------------|-----|---|---------|
| 1 | 4812110891 | Spacer | 1 | | |
| 2 | 4700500022 | Screw | 8 | | |
| 3 | 4700904229 | Steel plain washer | 8 | | |

Drivers seat Floor cassette module

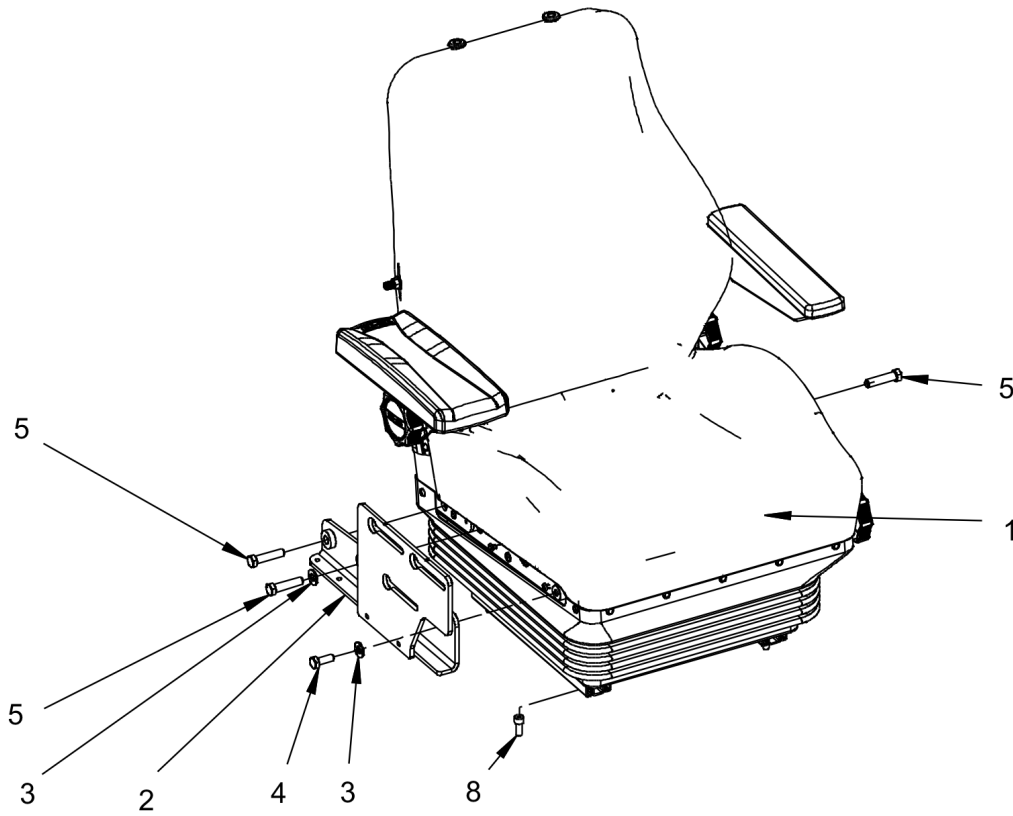


Refer to Parts Online for the most up to date information. The printed information might be outdated.

Fri Dec 11 01:19:18 MST 2015

| Item | Part No. | Name | Qty | L | SN INFO |
|------|------------|----------------------------------|-----|---|---------|
| 1 | 4812111294 | Adapter | 1 | | |
| 2 | 4812110885 | Splined shaft | 1 | | |
| 3 | 4700904229 | Steel plain washer | 10 | | |
| 4 | 4700508027 | Screw | 10 | | |
| 5 | 4700904228 | Washer 6.4x12x1.5 mm 300 HV | 3 | | |
| 6 | 4812114172 | Bracket | 1 | | |
| 7 | 4700586002 | Lock nut M6 -8 | 3 | | |
| 8 | 4700904557 | Washer, 10.5x22x4 mm 300 HV | 4 | | |
| 9 | 4700500028 | Hexagon head screw M10x025H, 8.8 | 4 | | |
| 10 | 4700350009 | Flat key | 1 | | |
| 11 | 4812113478 | Washer | 4 | | |
| 12 | 4700500029 | Hex. screw | 4 | | |

Drivers seat Seat, fabric suspended



Refer to Parts Online for the most up to date information. The printed information might be outdated.

Fri Dec 11 01:19:19 MST 2015

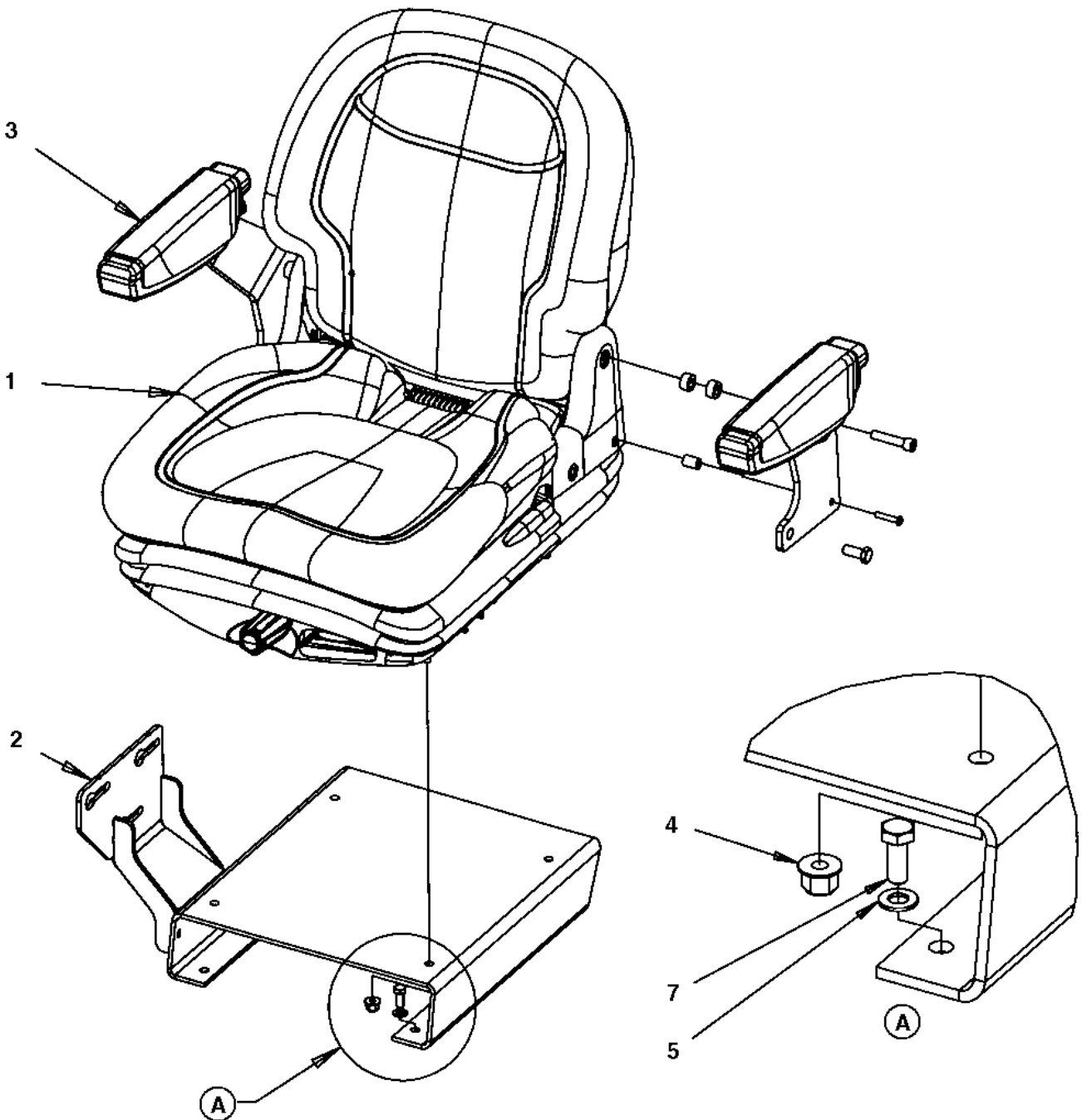
| Item | Part No. | Name | Qty | L | SN INFO |
|------|------------|----------------------------------|-----|---|---------|
| 1 | 4812116357 | Seat, fabric suspensioned | 1 | A | |
| 1 | 4700937892 | Seat switch | 1 | | |
| 1 | 4700937620 | Arm rest, right | 1 | | |
| 1 | 4812158367 | Arm rest wide, right | 1 | | |
| 1 | 4700937621 | Arm rest, left | 1 | | |
| 2 | 4812119295 | Control bracket | 1 | | |
| 3 | 4700904230 | Washer 10.5x22x2 mm 300 HV | 2 | | |
| 4 | 4700500028 | Hexagon head screw M10x025H, 8.8 | 1 | | |
| 5 | 4700792527 | Screw | 3 | | |
| 8 | 4700508092 | Screw | 4 | | |

Comments for Page: Seat, fabric suspensioned

(L)OCAL REMARKS

A | en_US | Without seat belt.

Drivers seat Seat, galon suspended



Refer to Parts Online for the most up to date information. The printed information might be outdated.

Fri Dec 11 01:19:20 MST 2015

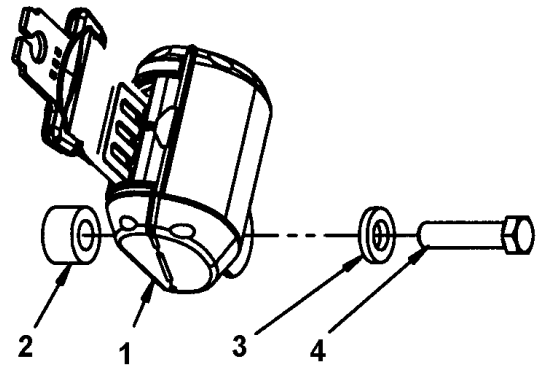
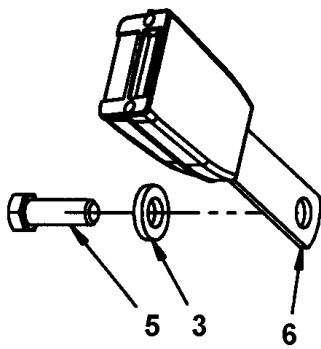
| Item | Part No. | Name | Qty | L | SN INFO |
|------|------------|--------------------------|-----|---|---------|
| 1 | 4700377518 | Seat, galon suspended | 1 | | |
| 1 | 4700945622 | Seat switch | 1 | | |
| 1 | 4700945660 | Seat cushion | 1 | | |
| 1 | 4700945661 | Adjuster kit | 1 | A | |
| 2 | 4700390561 | Seat frame | 1 | | |
| 3 | 4700390963 | Arm rest kit | 1 | | |
| 4 | 4700902286 | Lock nut, M8x1.25 mm A2K | 4 | | |
| 5 | 4700904229 | Steel plain washer | 4 | | |
| 7 | 4700500053 | Screw, M8x20 mm 8.8 A2K | 4 | | |

Comments for Page: Seat, galon suspended

(L)OCAL REMARKS

A | en_US | Left & right sliding rail

Seat belts Seat belt 2"



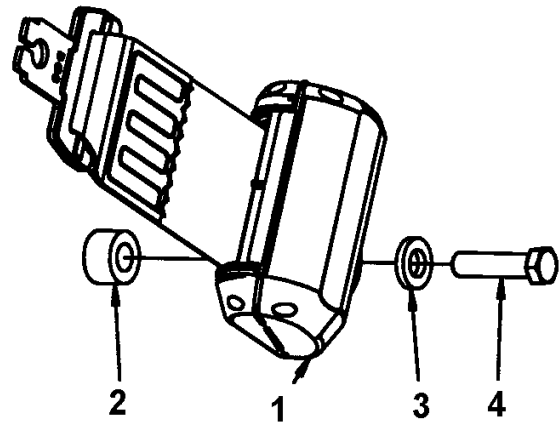
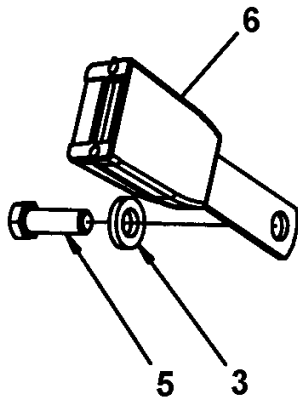
| Item | Part No. | Name | Qty | L | SN INFO |
|------|------------|-------------------------|-----|---|---------|
| 1 | 4812117922 | Seat belt 2" | 1 | | |
| 2 | 4700791572 | Spacer washer | 1 | | |
| 3 | 4700904703 | Plain washer 13x24x4 mm | 4 | | |
| 4 | 4700792527 | Screw | 1 | A | |
| 5 | 4700928347 | Hexagon screw | 2 | A | |
| 6 | 4812117924 | Buckle | 1 | | |

Comments for Page: Seat belt 2"

(L)OCAL REMARKS

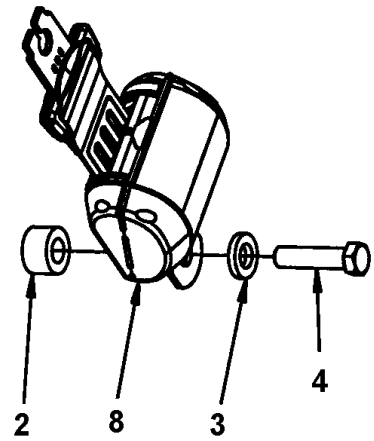
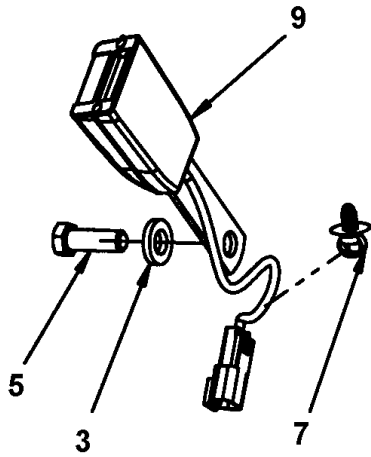
A | en_US | Used with seat 4700377518.

Seat belts Seat belt 3"



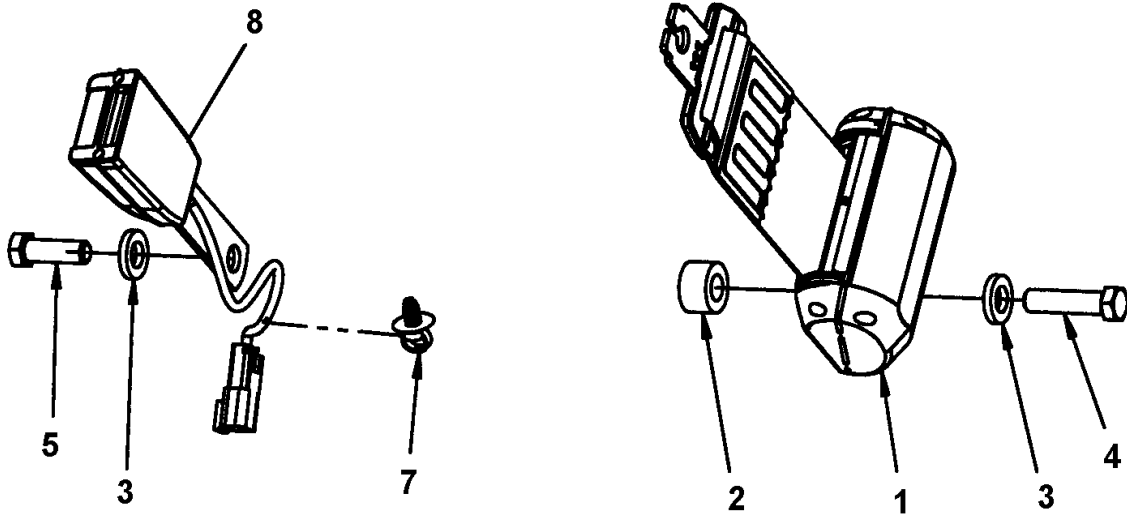
| Item | Part No. | Name | Qty | L | SN INFO |
|------|------------|-------------------------|-----|---|---------|
| 1 | 4812118816 | Seat belt 3" | 1 | | |
| 2 | 4700791572 | Spacer washer | 1 | | |
| 3 | 4700904703 | Plain washer 13x24x4 mm | 4 | | |
| 4 | 4700792527 | Screw | 1 | | |
| 5 | 4700928347 | Hexagon screw | 2 | | |
| 6 | 4812117924 | Buckle | 1 | | |

Seat belts Seat belt 2" with reminder



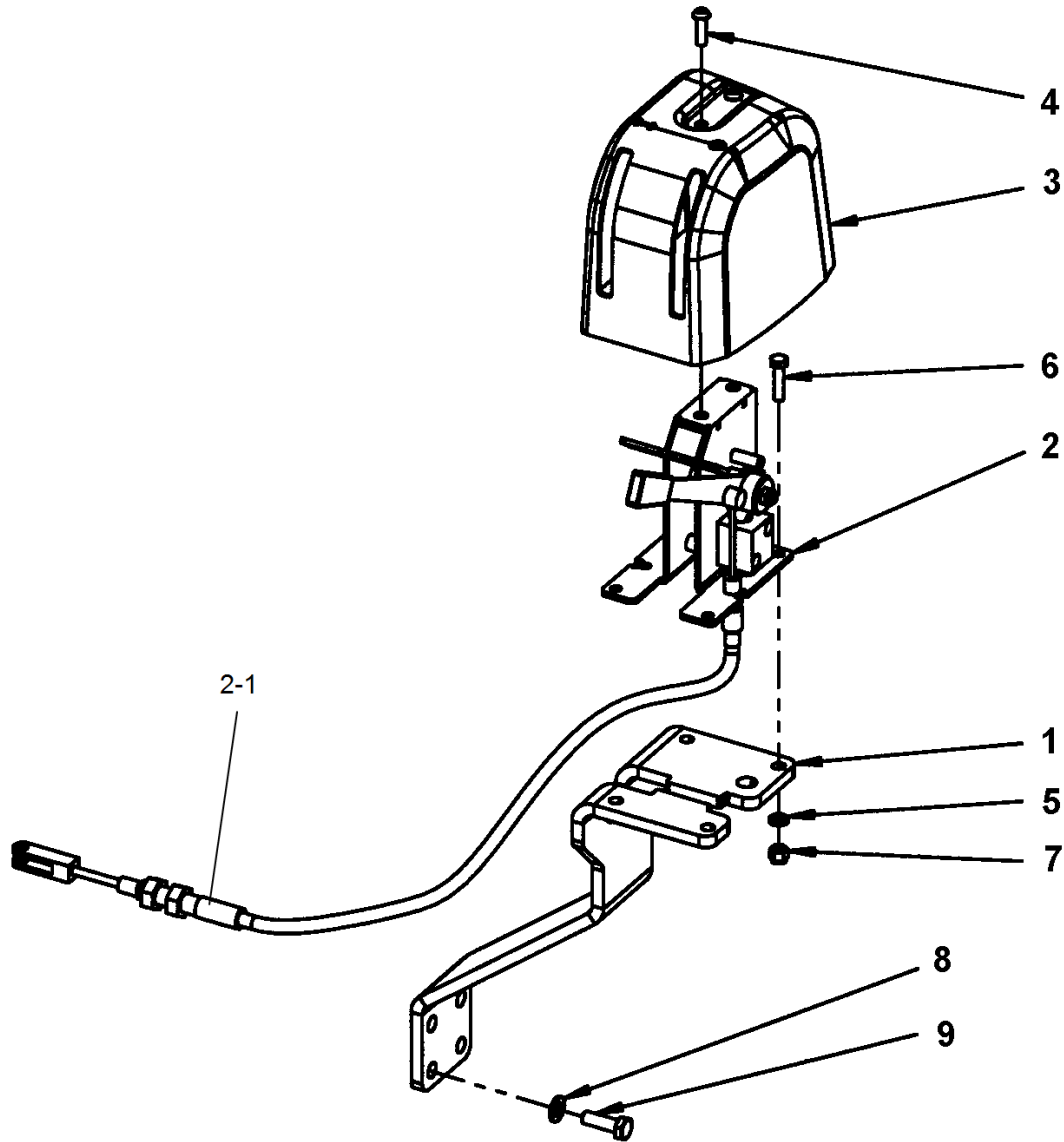
| Item | Part No. | Name | Qty | L | SN INFO |
|------|------------|-------------------------|-----|---|---------|
| 2 | 4700791572 | Spacer washer | 1 | | |
| 3 | 4700904703 | Plain washer 13x24x4 mm | 4 | | |
| 4 | 4700792527 | Screw | 1 | | |
| 5 | 4700928347 | Hexagon screw | 2 | | |
| 7 | 4700792441 | Cable tie with holder | 1 | | |
| 8 | 4812117922 | Seat belt 2" | 1 | | |
| 9 | 4812117925 | Buckle with reminder | 1 | | |

Seat belts Seat belt 3" with reminder



| Item | Part No. | Name | Qty | L | SN INFO |
|------|------------|-------------------------|-----|---|---------|
| 1 | 4812118816 | Seat belt 3" | 1 | | |
| 2 | 4700791572 | Spacer washer | 1 | | |
| 3 | 4700904703 | Plain washer 13x24x4 mm | 4 | | |
| 4 | 4700792527 | Screw | 1 | | |
| 5 | 4700928347 | Hexagon screw | 2 | | |
| 7 | 4700792441 | Cable tie with holder | 1 | | |
| 8 | 4812117925 | Buckle with reminder | 1 | | |

Drivers seat Control module

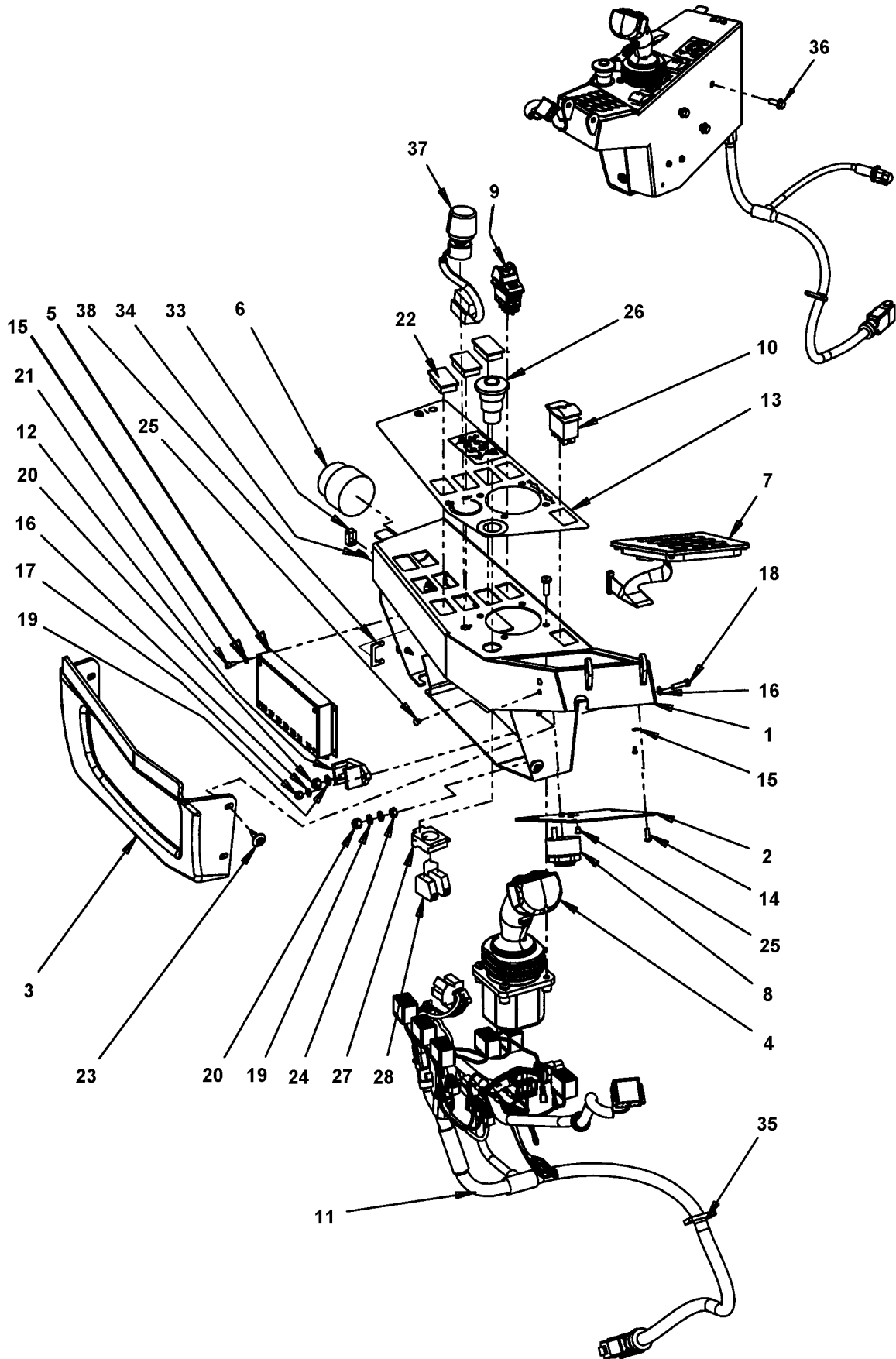


Refer to Parts Online for the most up to date information. The printed information might be outdated.

Fri Dec 11 01:19:23 MST 2015

| Item | Part No. | Name | Qty | L | SN INFO |
|------|------------|-----------------------------|-----|---|---------|
| 1 | 4812118312 | Bracket | 1 | | |
| 2 | 4812111216 | Control, cpl | 1 | | |
| 2-1 | 4812121331 | Cable | 1 | | |
| 3 | 4700392965 | Control cover | 1 | | |
| 4 | 4700791524 | Screw, M6 x 20 mm A2-70 | 2 | | |
| 5 | 4700904228 | Washer 6.4x12x1.5 mm 300 HV | 4 | | |
| 6 | 4700500075 | Screw, M6-1,0x25 mm 8.8 | 4 | | |
| 7 | 4700586002 | Lock nut M6 -8 | 4 | | |
| 8 | 4700904229 | Steel plain washer | 4 | | |
| 9 | 4700500021 | Hex. screw | 4 | | |

Drivers seat Forward reverse control module



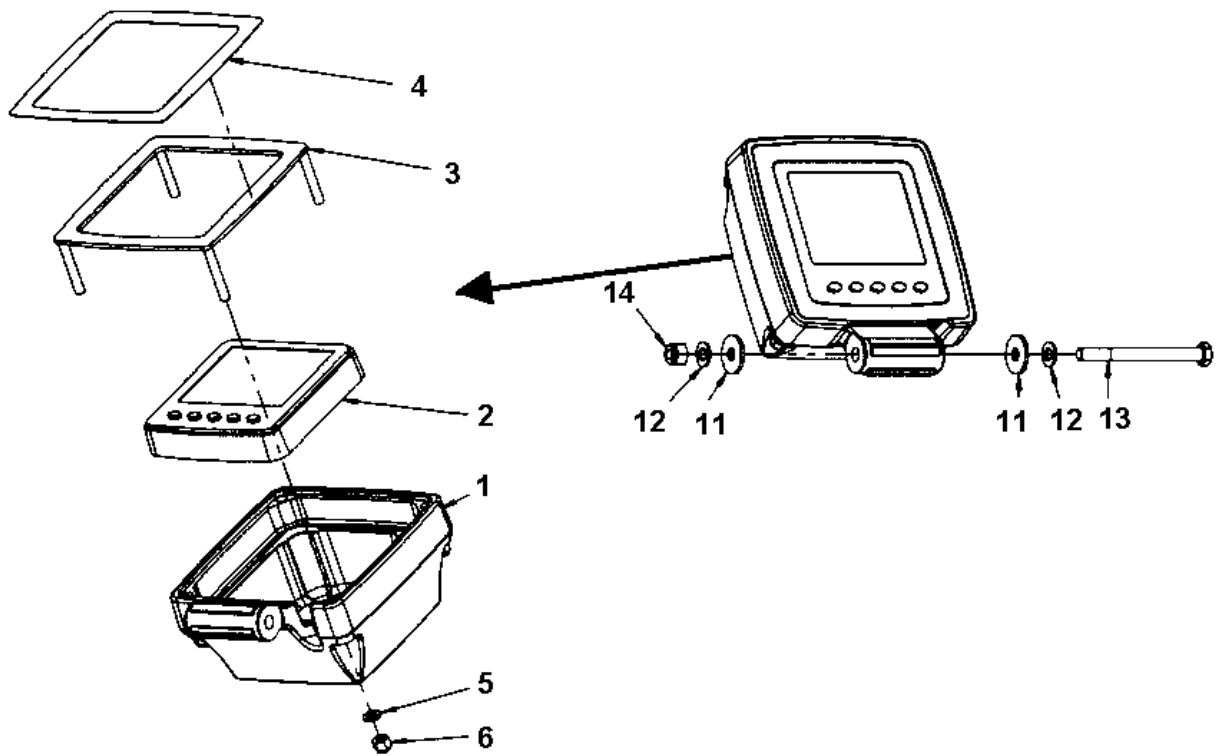
Refer to Parts Online for the most up to date information. The printed information might be outdated.
Fri Dec 11 01:19:24 MST 2015

| Item | Part No. | Name | Qty | L | SN INFO |
|------|------------|-----------------------------|-----|---|---------|
| 1 | 4812110886 | Control box | 1 | | |
| 2 | 4700391396 | Cover | 1 | | |
| 3 | 4700396662 | Cover | 1 | | |
| 4 | 4700391420 | Control handle, 4 switches | 1 | | |
| 5 | 4812113875 | Control unit | 1 | | |
| 6 | 4812110901 | Ignition switch | 1 | | |
| 6 | 4700940451 | Ignition key | 1 | | |
| 7 | 4812114803 | Membrane switch panel | 1 | | |
| 8 | 4700385599 | Buzzer | 1 | | |
| 9 | 4812118697 | Switch, parking brake | 1 | | |
| 10 | 4700792414 | Switch, RPM | 1 | | |
| 10 | 4812117490 | Switch, eco option | 1 | | |
| 11 | 4812118754 | Cable harness | 1 | | |
| 12 | 4700392930 | Junction box | 1 | | |
| 13 | 4812111780 | Decal | 1 | | |
| 14 | 4812119227 | Thread rolling screw | 4 | | |
| 15 | 4700904698 | Steel plain washer | 8 | | |
| 16 | 4700904281 | Washer, 5,3x10x1 300HV | 4 | | |
| 17 | 4700586001 | Lock nut | 2 | | |
| 18 | 4700500060 | Screw M5-0,8x20 8.8 | 2 | | |
| 19 | 4700904228 | Washer 6.4x12x1.5 mm 300 HV | 3 | | |
| 20 | 4700586002 | Lock nut M6 -8 | 2 | | |
| 21 | 4700508017 | Cylinder screw | 4 | | |
| 22 | 4700791588 | Panel plug | 3 | | |
| 23 | 4700395785 | Expansion rivet | 4 | | |
| 24 | 4700570004 | Hex. nut | 1 | | |
| 25 | 4700902804 | Plug | 5 | | |
| 26 | 4700791739 | Emergency stop | 1 | | |
| 27 | 4700791733 | Fixing collar | 1 | | |
| 28 | 4700791723 | Connector N/C | 2 | | |
| 33 | 4812114214 | Cover | 1 | | |
| 34 | 4812114213 | Lock screw | 2 | | |
| 35 | 4700313041 | Cable tie | N | | |
| 36 | 4700500505 | Screw, M8x20 mm 8.8 A2K | 3 | | |
| 37 | 4700388737 | Potentiometer | 1 | | |
| 38 | 4812119317 | Holder | 1 | | |

Refer to Parts Online for the most up to date information. The printed information might be outdated.

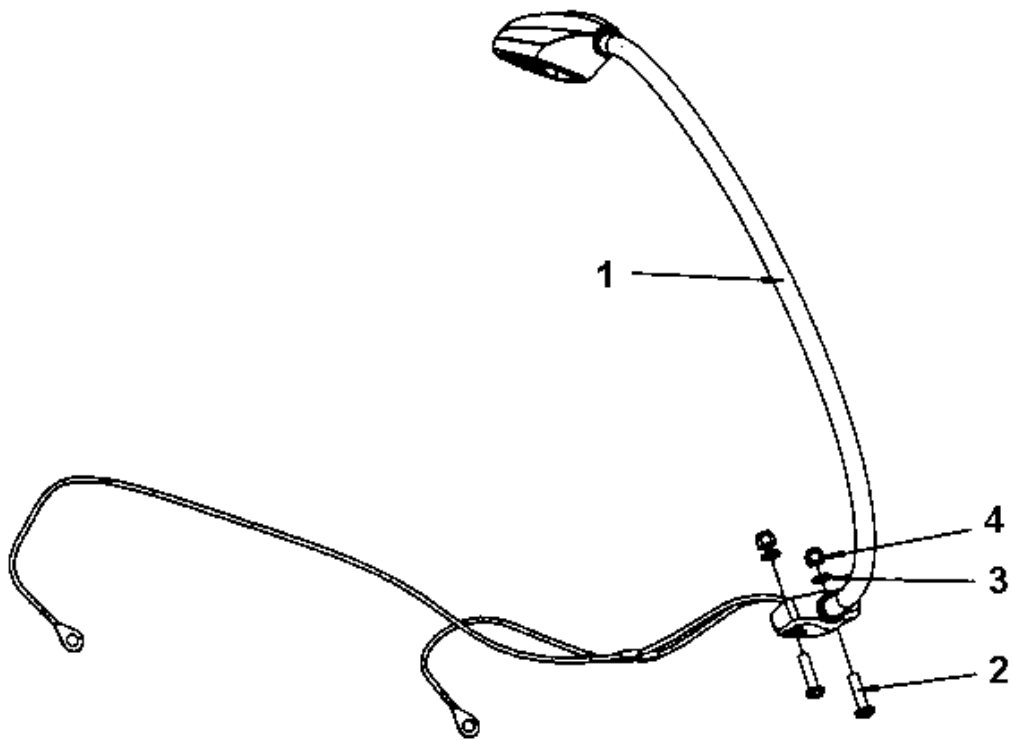
Fri Dec 11 01:19:24 MST 2015

Drivers seat Display unit



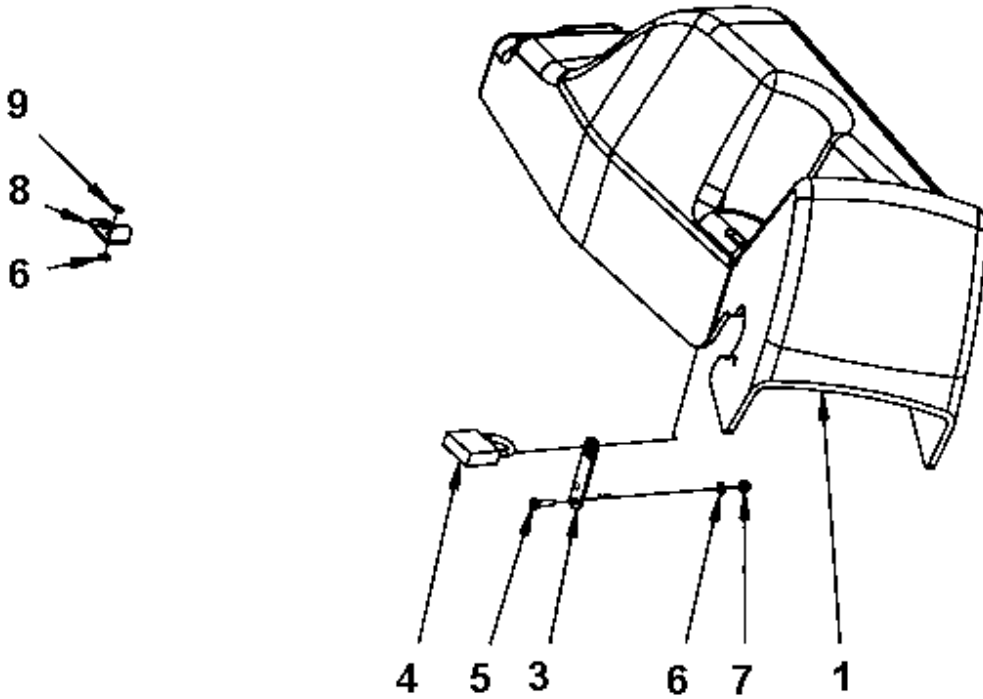
| Item | Part No. | Name | Qty | L | SN INFO |
|------|------------|-----------------------------|-----|---|---------|
| 1 | 4700392717 | Display holder | 1 | | |
| 2 | 4812113786 | Display unit | 1 | | |
| 3 | 4700392719 | Cover | 1 | | |
| 4 | 4700393094 | Decal | 1 | | |
| 5 | 4700904228 | Washer 6.4x12x1.5 mm 300 HV | 4 | | |
| 6 | 4700586002 | Lock nut M6 -8 | 4 | | |
| 11 | 4700903662 | Washer | 2 | | |
| 12 | 4700606004 | Plastic washer | 2 | | |
| 13 | 4700500115 | Screw | 1 | | |
| 14 | 4700586003 | Nut, M8 | 1 | | |

Drivers seat Reading light



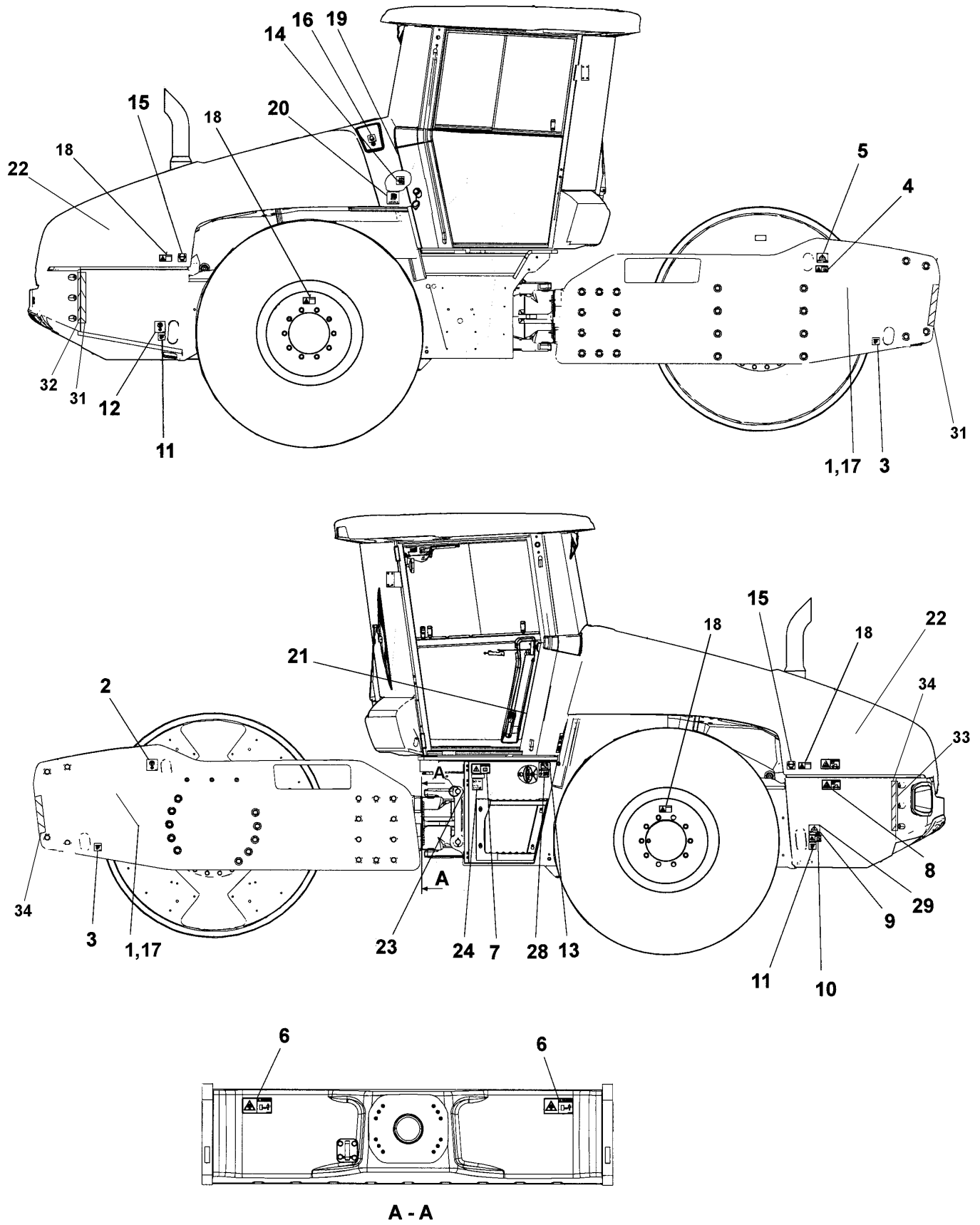
| Item | Part No. | Name | Qty | L | SN INFO |
|------|------------|------------------------|-----|---|---------|
| 1 | 4700397604 | Reading lamp | 1 | | |
| 2 | 4700791421 | Machine screw | 2 | | |
| 3 | 4700904281 | Washer, 5,3x10x1 300HV | 2 | | |
| 4 | 4700586001 | Lock nut | 2 | | |

Drivers seat Control panel cover



| Item | Part No. | Name | Qty | L | SN INFO |
|------|------------|------------------------|-----|---|---------|
| 1 | 4700395947 | Instrument panel cover | 1 | | |
| 3 | 4700387545 | Latch | 1 | | |
| 4 | 4700358881 | Pad lock | 1 | | |
| 5 | 4700904653 | Screw M5x16 A2-70 | 2 | | |
| 6 | 4700904281 | Washer, 5,3x10x1 300HV | 4 | | |
| 7 | 4700586001 | Lock nut | 2 | | |
| 8 | 4700396670 | Bracket | 1 | | |
| 9 | 4700904619 | Blind rivet | 2 | | |

Decals Decals



Refer to Parts Online for the most up to date information. The printed information might be outdated.

Fri Dec 11 01:19:26 MST 2015

| Item | Part No. | Name | Qty | L | SN INFO |
|------|------------|---|-----|------|---------|
| 1 | 4812120100 | Decal "COMPACTING ROCKS" Right | 1 | | |
| 1 | 4812120101 | Decal "COMPACTING ROCKS" Left | 1 | | |
| 2 | 4700588176 | Decal "LIFT POINT" | 1 | | |
| 3 | 4700382751 | Decal "SECURING POINT/TIE DOWN" | 2 | | |
| 4 | 4700908229 | Safety decal | 1 | | |
| 5 | 4700904870 | Lifting data plate | 1 | | |
| 5 | 4700624005 | Blind rivet 3,2x6,1 | 4 | | |
| 6 | 4700903422 | Safety decal "CRUSH AREA" | 2 | | |
| 7 | 4700903459 | Decal "SAFETY" | 1 | | |
| 8 | 4700904895 | Safety decal "Brake release" | 1 | | |
| 9 | 4700904870 | Lifting data plate | 1 | | |
| 10 | 4700908229 | Safety decal | 1 | | |
| 11 | 4700382751 | Decal "SECURING POINT/TIE DOWN" | 2 | | |
| 12 | 4700588176 | Decal "LIFT POINT" | 1 | | |
| 13 | 4700904835 | Decal "BATTERY POWER" | 1 | | |
| 14 | 4700272373 | Label, hydraulic oil level | 1 | | |
| 15 | 4700390900 | Decal "TYRE PRESSURE" 110kPa/16psi | 2 | A, B | |
| 15 | 4700355983 | Decal "TYRE PRESSURE" 200kPa/29psi | 2 | C | |
| 16 | 4700388449 | Decal "ENGINE COOLANT FILL" | 1 | | |
| 17 | 4812120443 | Decal "MODEL CODE" CA5000 | 2 | | |
| 17 | 4812120444 | Decal "MODEL CODE" CA5500 | 2 | | |
| 17 | 4812120116 | Decal "MODEL CODE" CA6000 | 2 | | |
| 17 | 4812120445 | Decal "MODEL CODE" CA6500 | 2 | | |
| 18 | 4700903985 | Decal "SAFETY" | 4 | | |
| 19 | 4700272372 | Decal "HYDRAULIC OIL" | 1 | | |
| 19 | 4700792772 | Decal "BIO HYDRAULIC OIL" PANOLIN | 1 | | |
| 20 | 4700991658 | Decal "FUEL" | 1 | | |
| 21 | 4700903425 | Safety decal "READ SAFETY INSTRUCTIONS" | 1 | | |
| 22 | 4812120306 | Decal "AC logotype" Black, H=190 | 2 | | |
| 23 | - | Product identification plate | 1 | | |
| 24 | 4700791273 | Decal "Sound power level" 103 dB | 1 | | |
| 28 | 4700393959 | Decal "Battery voltage 24V" | 1 | | |
| 29 | 4700624005 | Blind rivet 3,2x6,1 | 4 | | |
| 31 | 4700904390 | Decal "Risk location" | 2 | | |
| 32 | 4700904389 | Decal "Risk location" | 1 | | |
| 33 | 4700904391 | Decal "Risk location" | 1 | | |
| 34 | 4700904388 | Decal "Risk location" | 2 | | |

Refer to Parts Online for the most up to date information. The printed information might be outdated.

Fri Dec 11 01:19:28 MST 2015

Comments for Page: Decals

(L)OCAL REMARKS

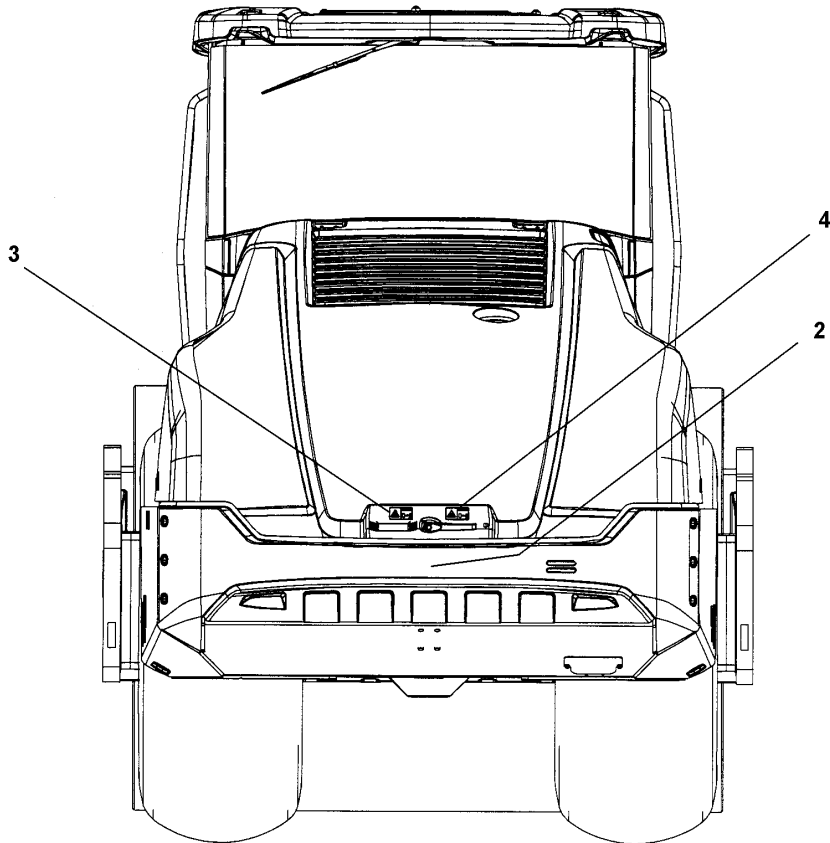
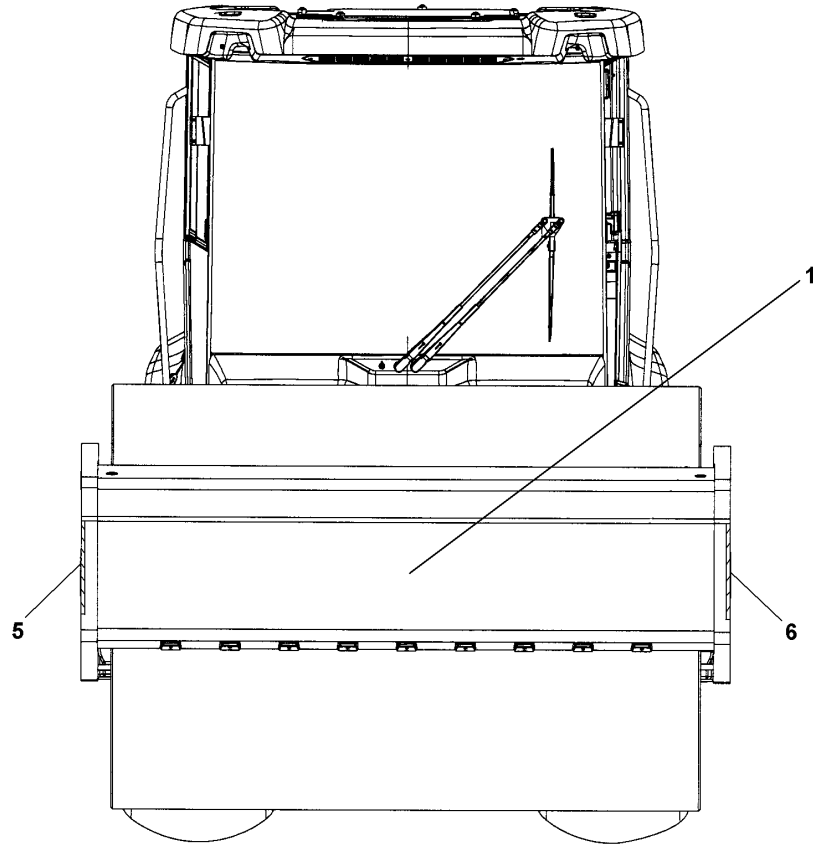
A | en_US | All weather wheel.

B | en_US | Tractor wheel.

C | en_US | Premium wheel.

This page intentionally left blank

Decals Decals

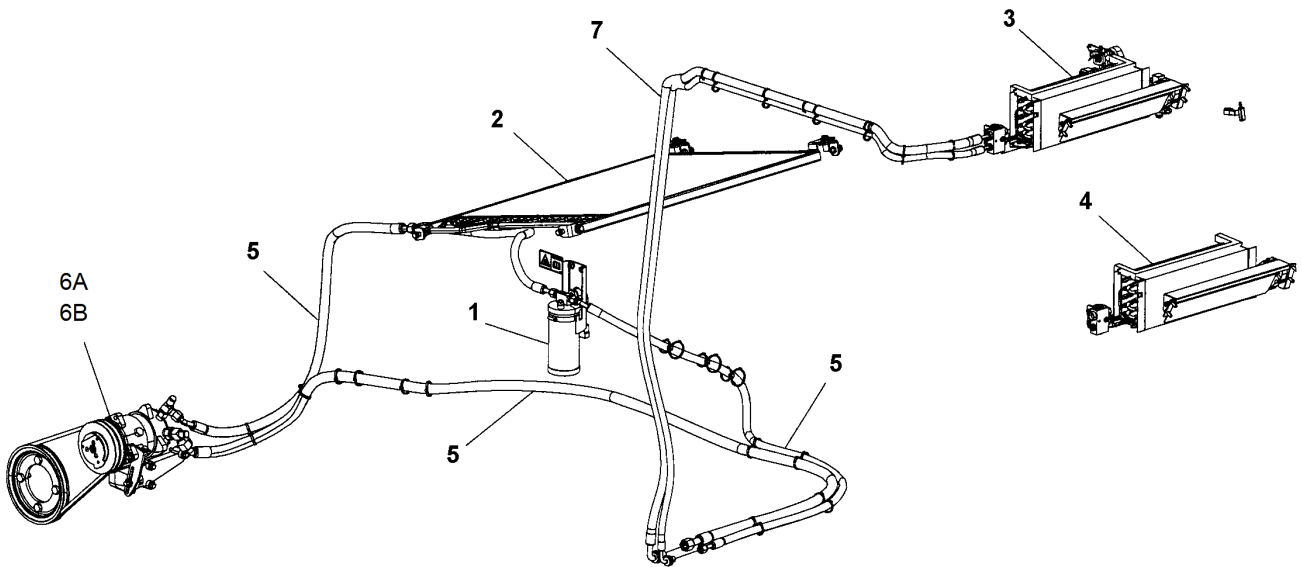


Refer to Parts Online for the most up to date information. The printed information might be outdated.

Fri Dec 11 01:19:28 MST 2015

| Item | Part No. | Name | Qty | L | SN INFO |
|------|------------|--|-----|---|---------|
| 1 | 4812269858 | Decal "Atlas Copco" Black, H=250 | 1 | | |
| 2 | 4812121707 | Decal "AC logotype" White, H=143 | 1 | | |
| 3 | 4700903423 | Safety label, Rotating engine components | 1 | | |
| 4 | 4700903424 | Safety label, hot surfaces | 1 | | |
| 5 | 4700904389 | Decal "Risk location" | 1 | | |
| 6 | 4700904391 | Decal "Risk location" | 1 | | |

Air conditioning Air conditioning

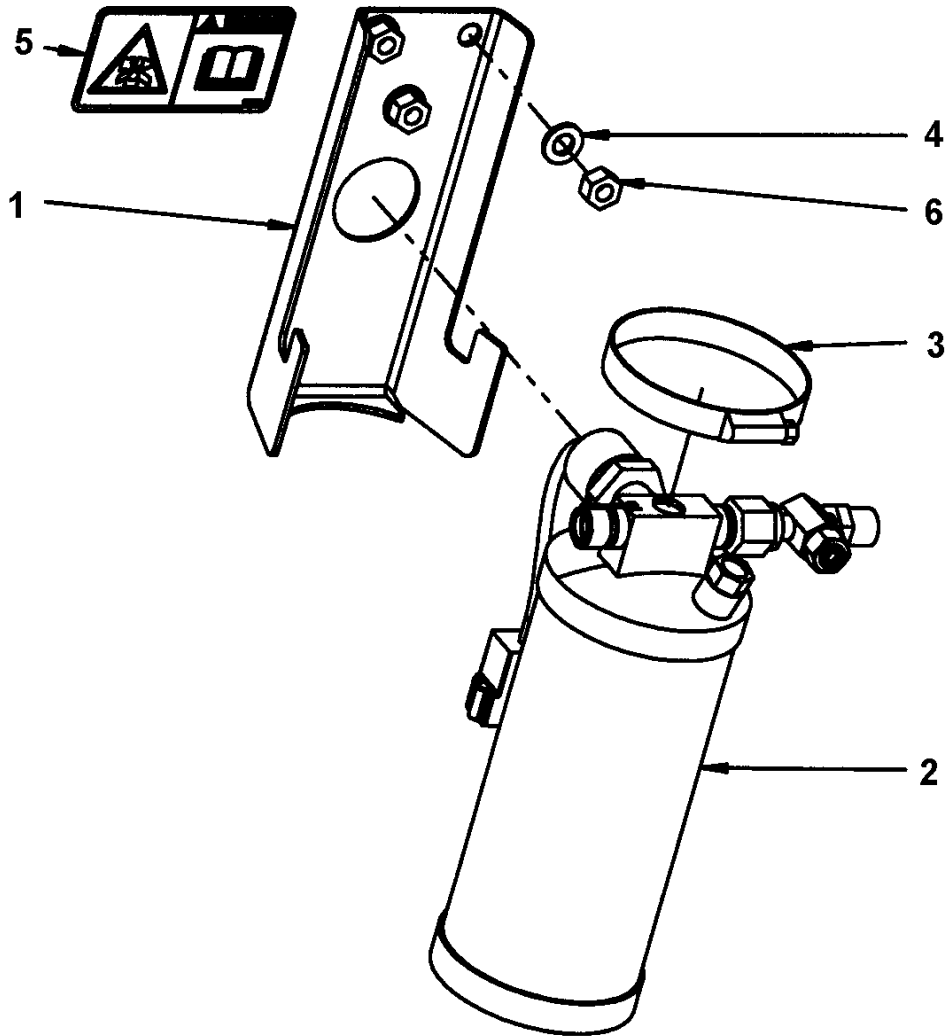


Refer to Parts Online for the most up to date information. The printed information might be outdated.

Fri Dec 11 01:19:29 MST 2015

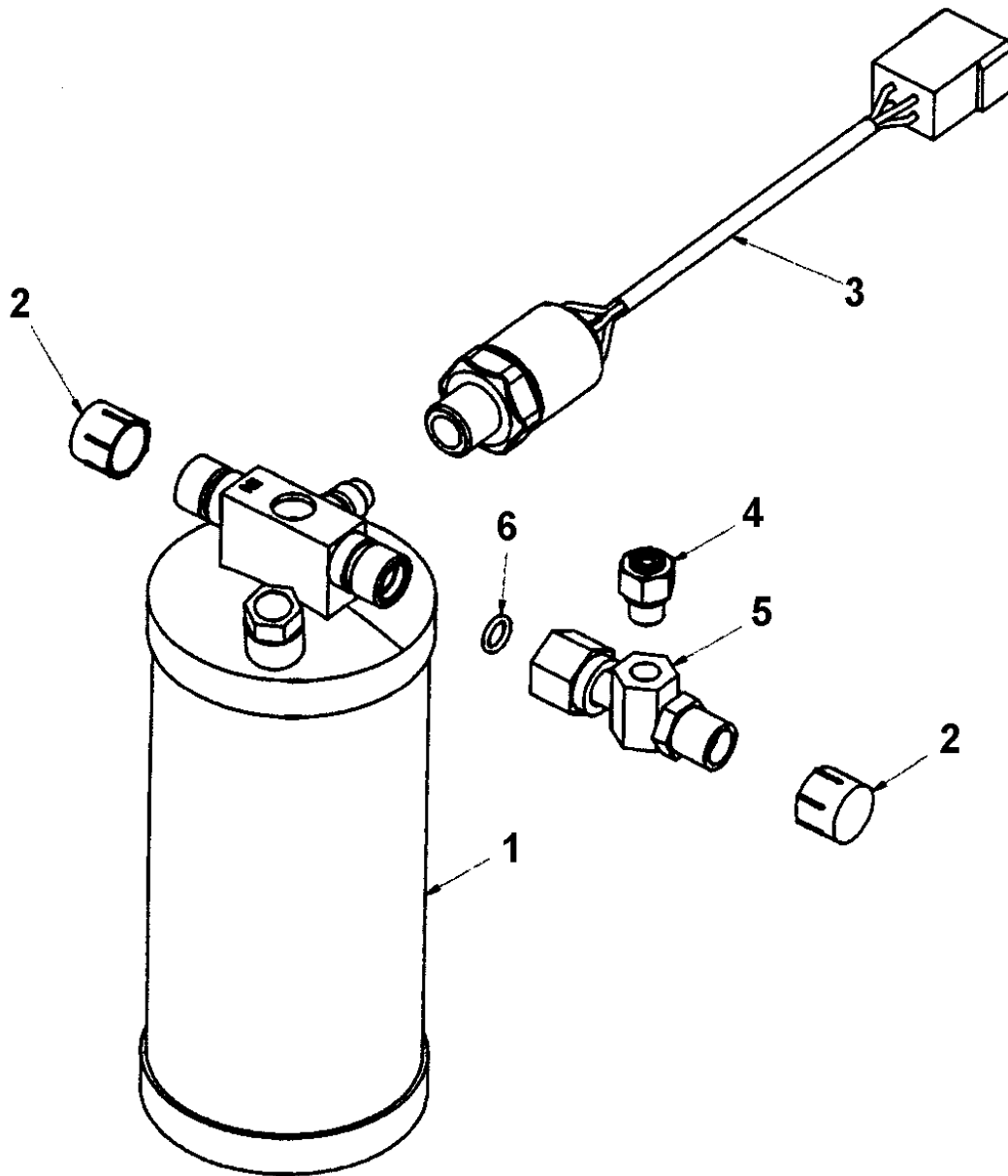
| Item | Part No. | Name | Qty | L | SN INFO |
|------|------------|----------------------|-----|---|---------|
| 1 | - | Drying filter module | 1 | | |
| 2 | - | Condensor assembly | 1 | | |
| 3 | - | ACC module | 1 | | |
| 4 | - | AC module | 1 | | |
| 5 | - | Hose assy kit for AC | 1 | | |
| 6A | 4812114973 | Compressor kit | 1 | | |
| 6B | - | Compressor module | 1 | | |
| 7 | - | Hose assy kit for AC | 1 | | |

Air conditioning Drying filter module



| Item | Part No. | Name | Qty | L | SN INFO |
|------|------------|----------------------------|-----|---|---------|
| 1 | 4812111311 | Bracket | 1 | | |
| 2 | 4812114257 | Drying filter assy | 1 | | |
| 3 | 4700313022 | Hose clamp | 1 | | |
| 4 | 4700904229 | Steel plain washer | 3 | | |
| 5 | 4700904165 | Safety decal "Toxic gases" | 1 | | |
| 6 | 4700570005 | Hexagon nut | 3 | | |

Air conditioning 4812114257 Drying filter assy

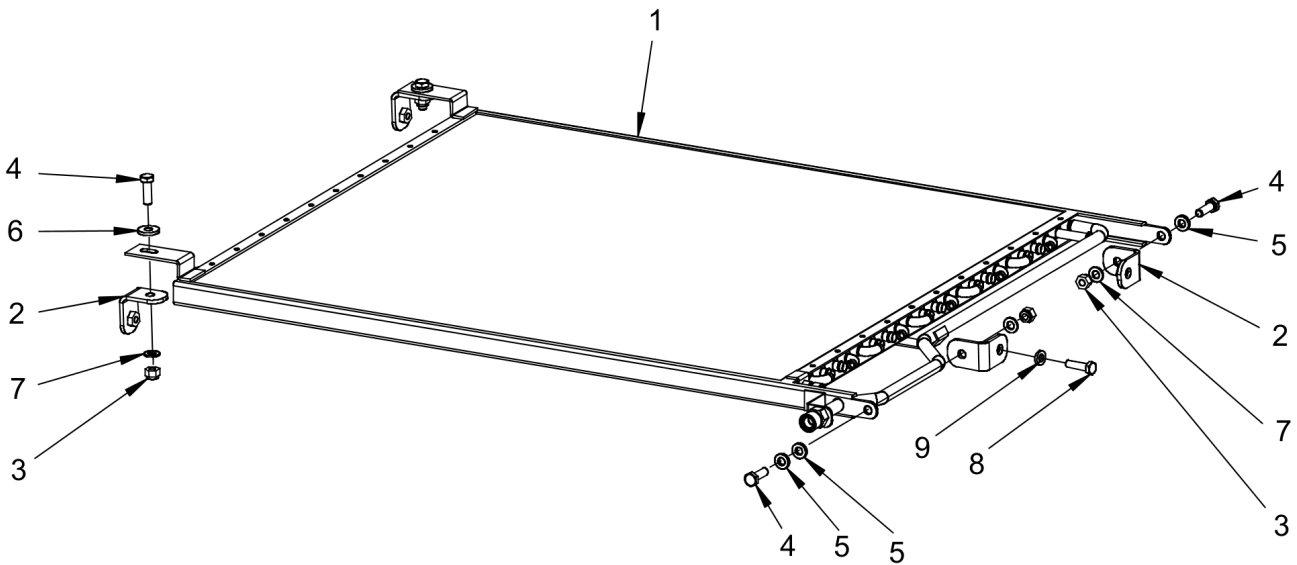
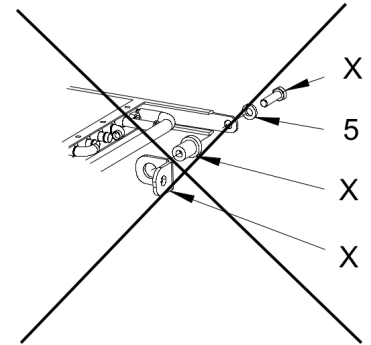
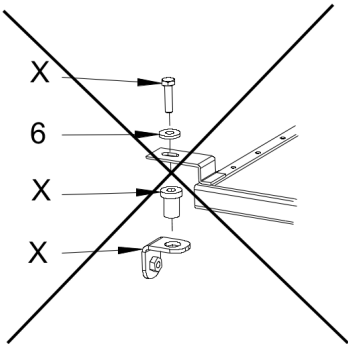


Refer to Parts Online for the most up to date information. The printed information might be outdated.

Fri Dec 11 01:19:29 MST 2015

| Item | Part No. | Name | Qty | L | SN INFO |
|------|------------|-----------------------|-----|---|---------|
| 1 | 4812113083 | Drying filter | 1 | | |
| 2 | - | Plastic cap | 2 | | |
| 3 | 4812113245 | Pressure switch | 1 | | |
| 4 | 4812114245 | Pressure relief valve | 1 | | |
| 5 | 4812114246 | Adapter | 1 | | |
| 6 | - | O-ring | 1 | | |

Air conditioning Condensor assembly

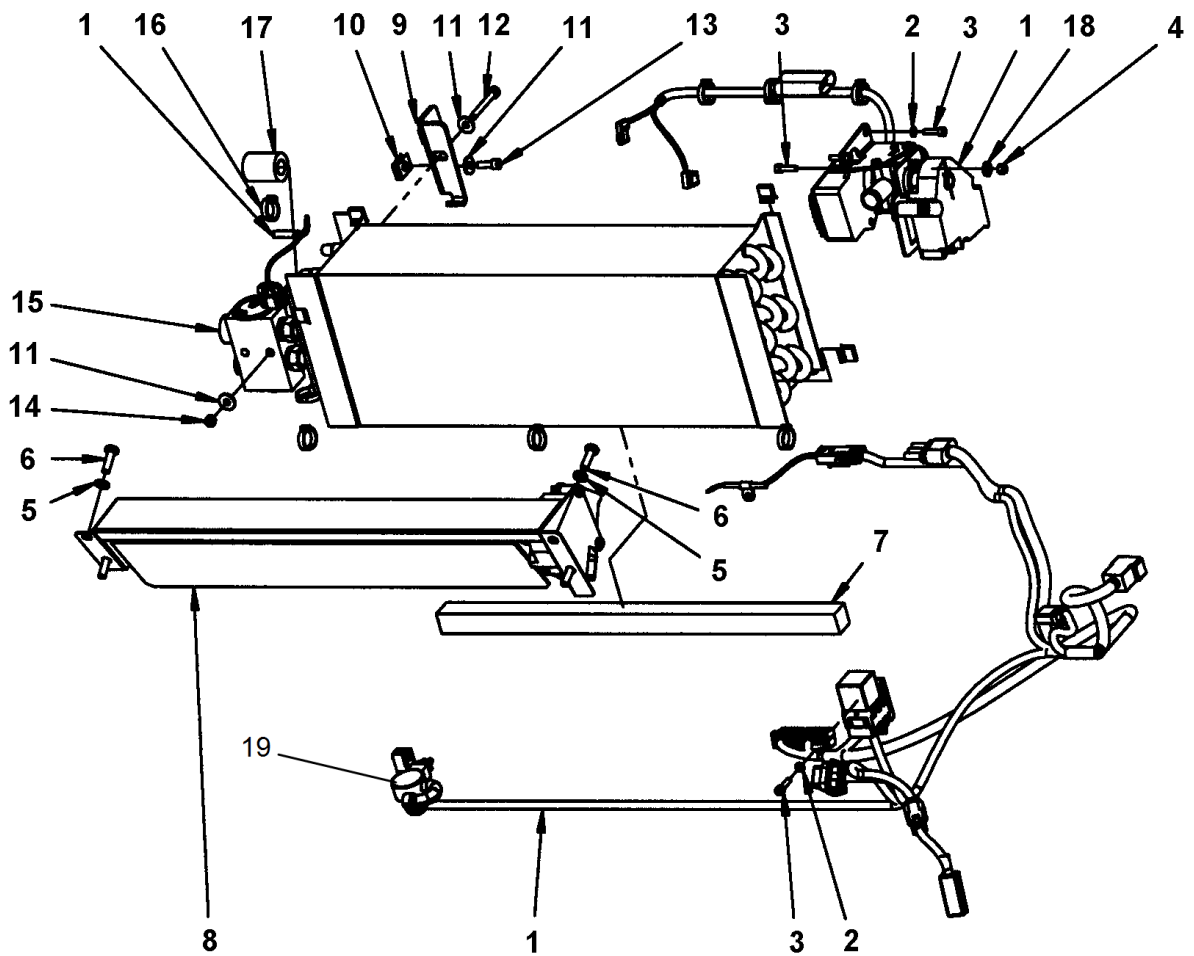


Refer to Parts Online for the most up to date information. The printed information might be outdated.

Fri Dec 11 01:19:30 MST 2015

| Item | Part No. | Name | Qty | L | SN INFO |
|------|------------|---------------------------|-----|---|---------|
| 1 | 4812113032 | Condensor | 1 | | |
| 2 | 4812123800 | Bracket | 4 | | |
| 3 | 4700586003 | Nut, M8 | 4 | | |
| 4 | 4700500021 | Hex. screw | 4 | | |
| 5 | 4700904556 | Steel plain washer | 3 | | |
| 6 | 4700904640 | Washer, 8.4x22x3 mm 300HV | 2 | | |
| 7 | 4700904229 | Steel plain washer | 4 | | |
| 8 | 4700500022 | Screw | 4 | | |
| 9 | 4700904556 | Steel plain washer | 4 | | |
| X | - | Not to be used | | | |

Air conditioning ACC module



Refer to Parts Online for the most up to date information. The printed information might be outdated.

Fri Dec 11 01:19:31 MST 2015

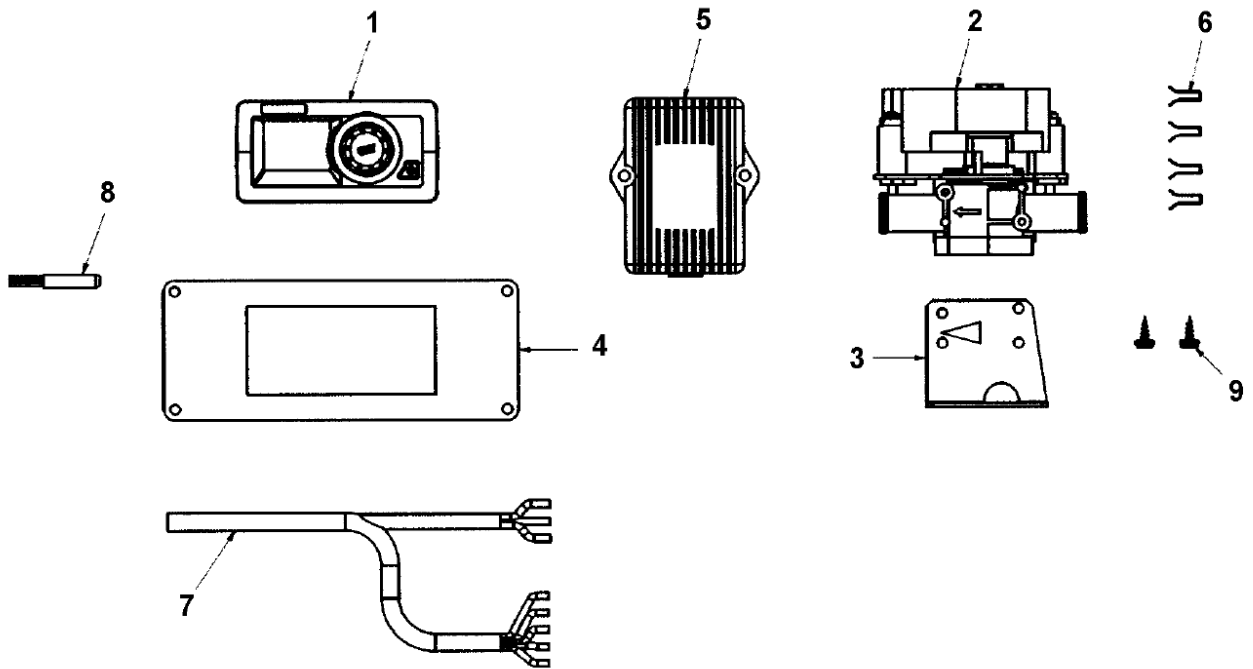
| Item | Part No. | Name | Qty | L | SN INFO |
|------|------------|-------------------------------|-----|---|---------|
| 1 | 4812113624 | ACC kit | 1 | | |
| 2 | 4700904698 | Steel plain washer | 3 | | |
| 3 | 4700508022 | Hexagon socket head cap screw | 4 | | |
| 4 | 4700923976 | Lock nut | 1 | | |
| 5 | 4700904228 | Washer 6.4x12x1.5 mm 300 HV | 4 | | |
| 6 | 4700500040 | Screw, M6x20 mm 8.8 A2K | 4 | | |
| 7 | 4700792718 | Foam rubber | 1 | | |
| 8 | 4812115013 | Air intake | 1 | | |
| 9 | 4812114311 | Bracket | 1 | | |
| 10 | 4811000458 | Speed nut | 2 | | |
| 11 | 4700601001 | Washer | 4 | | |
| 12 | 4700508099 | Screw | 1 | | |
| 13 | 4700926537 | Screw | 2 | | |
| 14 | 4700570003 | Hex. nut | 1 | | |
| 15 | 4812113623 | Evaporator, cpl | 1 | | |
| 16 | 4700313041 | Cable tie | 10 | | |
| 17 | 4812117349 | Cork tape | 1XL | A | |
| 18 | 4700904299 | Washer | 1 | | |
| 19 | 4700938624 | Sensor, Inner temp | 1 | | |

Comments for Page: ACC module

(L)OCAL REMARKS

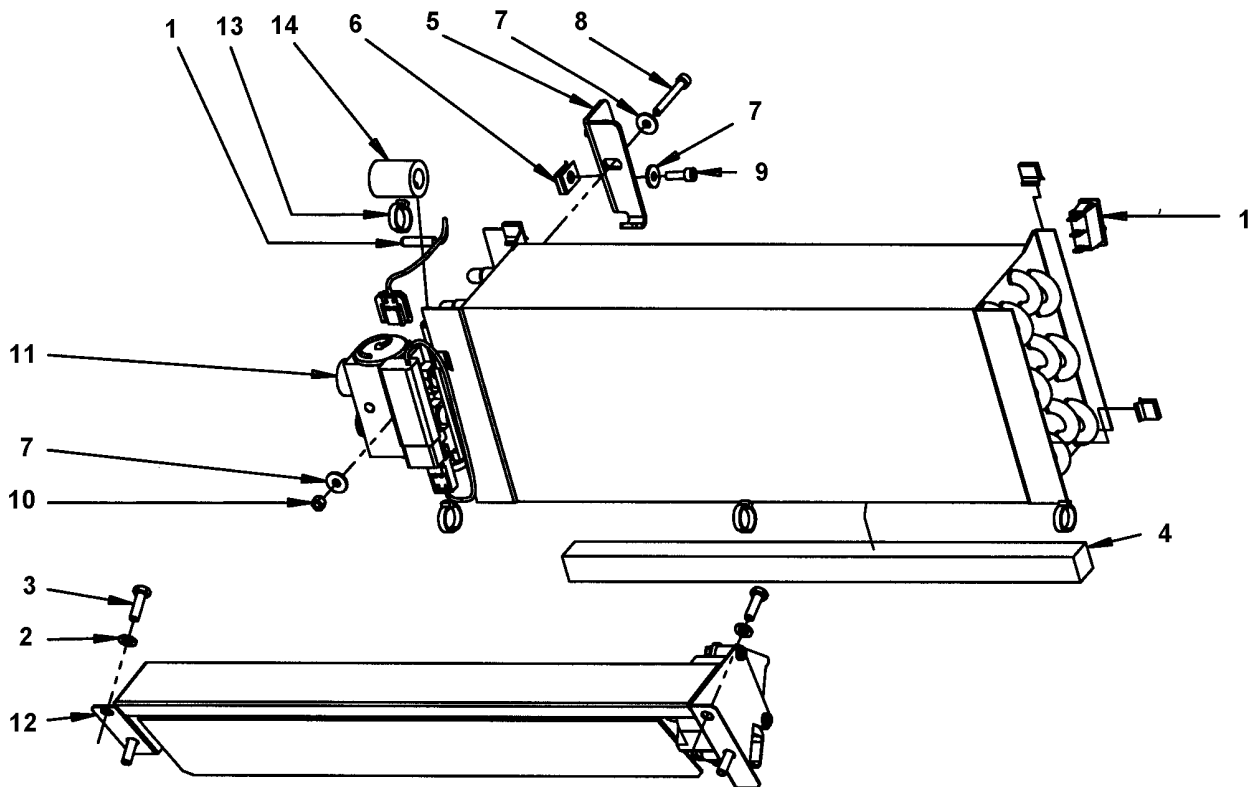
A | en_US | L = 0.5m

Air conditioning 4812113624 ACC kit



| Item | Part No. | Name | Qty | L | SN INFO |
|------|------------|------------------|-----|---|---------|
| 1 | 4812158289 | Micro ECC | 1 | | |
| 1 | 4812160767 | Knob | 1 | | |
| 2 | 4700383425 | Electronic valve | 1 | | |
| 3 | - | Bracket | 1 | | |
| 4 | - | Panel | 1 | | |
| 5 | 4812158290 | Blower control | 1 | | |
| 6 | - | Clip | 4 | | |
| 7 | 4812158291 | Cable harness | 1 | | |
| 8 | 4812158292 | Deicing sensor | 1 | | |
| 9 | - | Screw | 2 | | |

Air conditioning AC module



Refer to Parts Online for the most up to date information. The printed information might be outdated.

Fri Dec 11 01:19:33 MST 2015

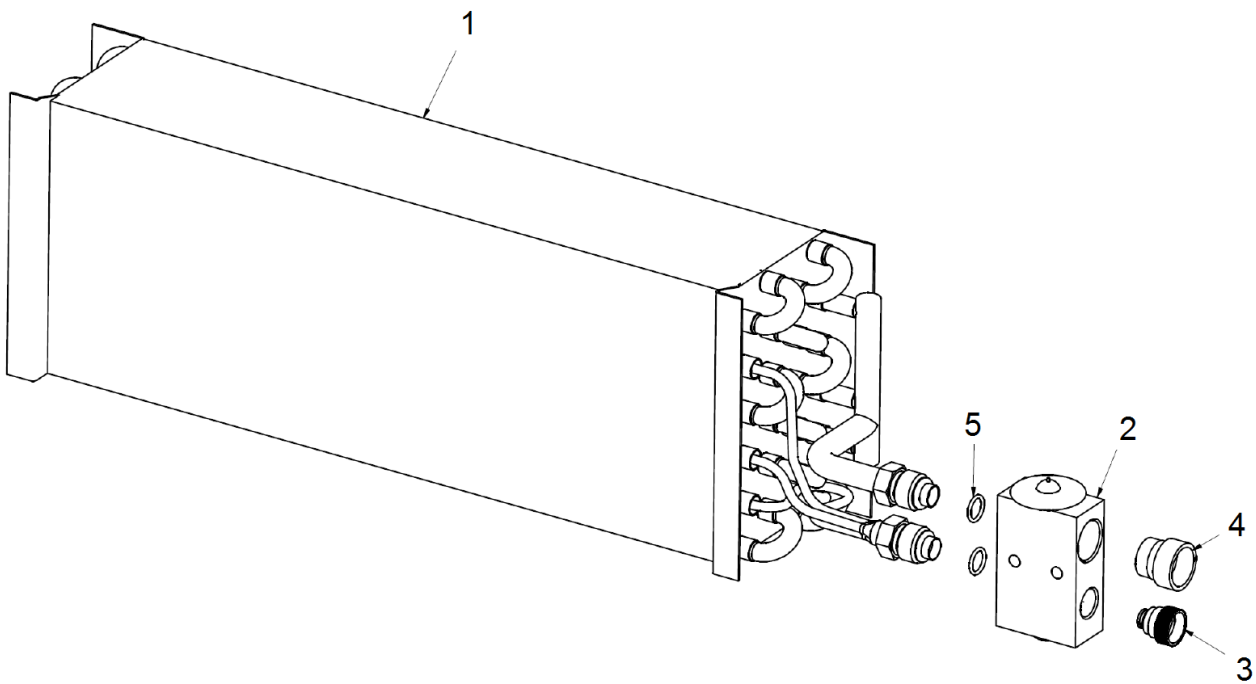
| Item | Part No. | Name | Qty | L | SN INFO |
|------|------------|-----------------------------|-----|---|---------|
| 1 | 4812113622 | Ac kit | 1 | | |
| 1 | 4700950348 | Switch, air condition | 1 | | |
| 1 | 4812158481 | Switch, flapper | 1 | | |
| 1 | 4812158482 | Thermostat | 1 | | |
| 2 | 4700904228 | Washer 6.4x12x1.5 mm 300 HV | 4 | | |
| 3 | 4700500040 | Screw, M6x20 mm 8.8 A2K | 4 | | |
| 4 | 4700792718 | Foam rubber | 1 | | |
| 5 | 4812114311 | Bracket | 1 | | |
| 6 | 4811000458 | Speed nut | 2 | | |
| 7 | 4700601001 | Washer | 4 | | |
| 8 | 4700508099 | Screw | 1 | | |
| 9 | 4700926537 | Screw | 2 | | |
| 10 | 4700570003 | Hex. nut | 1 | | |
| 11 | 4812113623 | Evaporator, cpl | 1 | | |
| 12 | 4812115013 | Air intake | 1 | | |
| 13 | 4700313041 | Cable tie | 10 | | |
| 14 | 4812117349 | Cork tape | 1XL | A | |

Comments for Page: AC module

(L)OCAL REMARKS

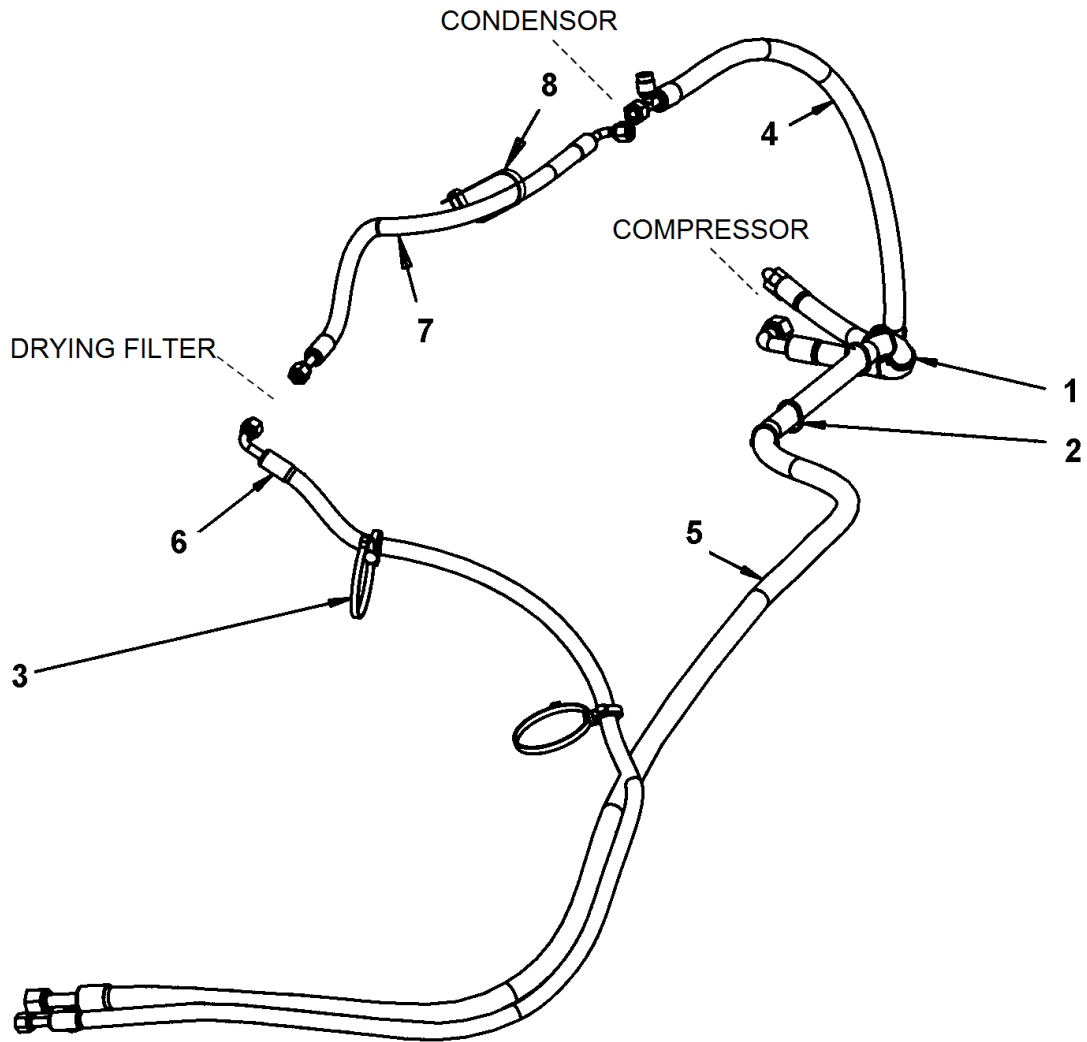
A | en_US | L = 0.5m

Air conditioning 4812113623 Evaporator, cpl



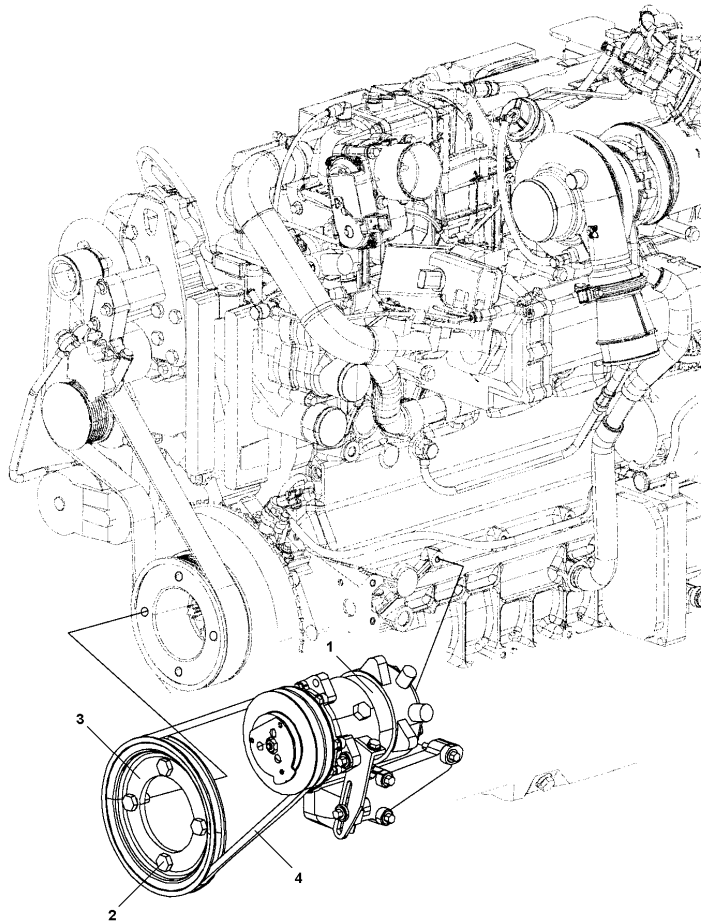
| Item | Part No. | Name | Qty | L | SN INFO |
|------|------------|-----------------|-----|---|---------|
| 1 | 4812160598 | Evaporator coil | 1 | | |
| 2 | 4700384176 | Expansion valve | 1 | | |
| 3 | - | Connector plug | 1 | | |
| 4 | - | Connector plug | 1 | | |
| 5 | 4700384878 | O-ring Size 8 | 2 | | |

Air conditioning Hose assy kit for AC

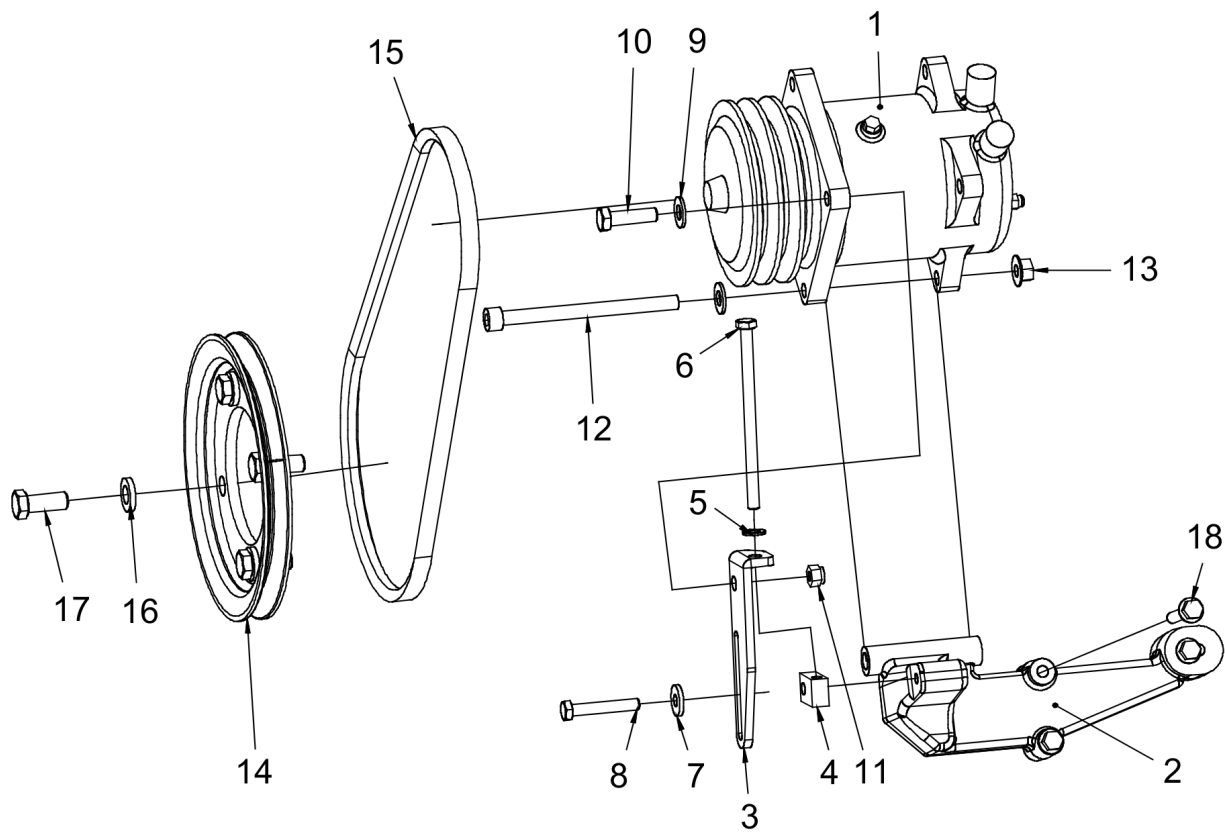


| Item | Part No. | Name | Qty | L | SN INFO |
|------|------------|-----------------------|-----|---|---------|
| 1 | 4700792686 | Cable tie with holder | 4 | | |
| 2 | 4700313041 | Cable tie | N | | |
| 3 | 4812117248 | Cable tie with holder | 2 | | |
| 4 | 4812118250 | Refrigerant hose | 1 | | |
| 4 | 4700384878 | O-ring Size 8 | 1 | | |
| 5 | 4812119490 | Refrigerant hose | 1 | | |
| 6 | 4812113491 | Refrigerant hose | 1 | | |
| 7 | 4812113492 | Refrigerant hose | 1 | | |
| 7 | 4700384877 | O-ring Size 6 | 1 | | |
| 8 | 4812115835 | Cable tie | 1 | | |

Air conditioning 4812114973 Compressor kit



| Item | Part No. | Name | Qty | L | SN INFO |
|------|------------|--------------|-----|---|---------|
| 1 | 4812157765 | Compressor | 1 | | |
| 2 | 4812157766 | Hexagon bolt | 4 | | |
| 3 | 4812157767 | V-pulley | 1 | | |
| 4 | 4812157768 | V-belt | 1 | | |

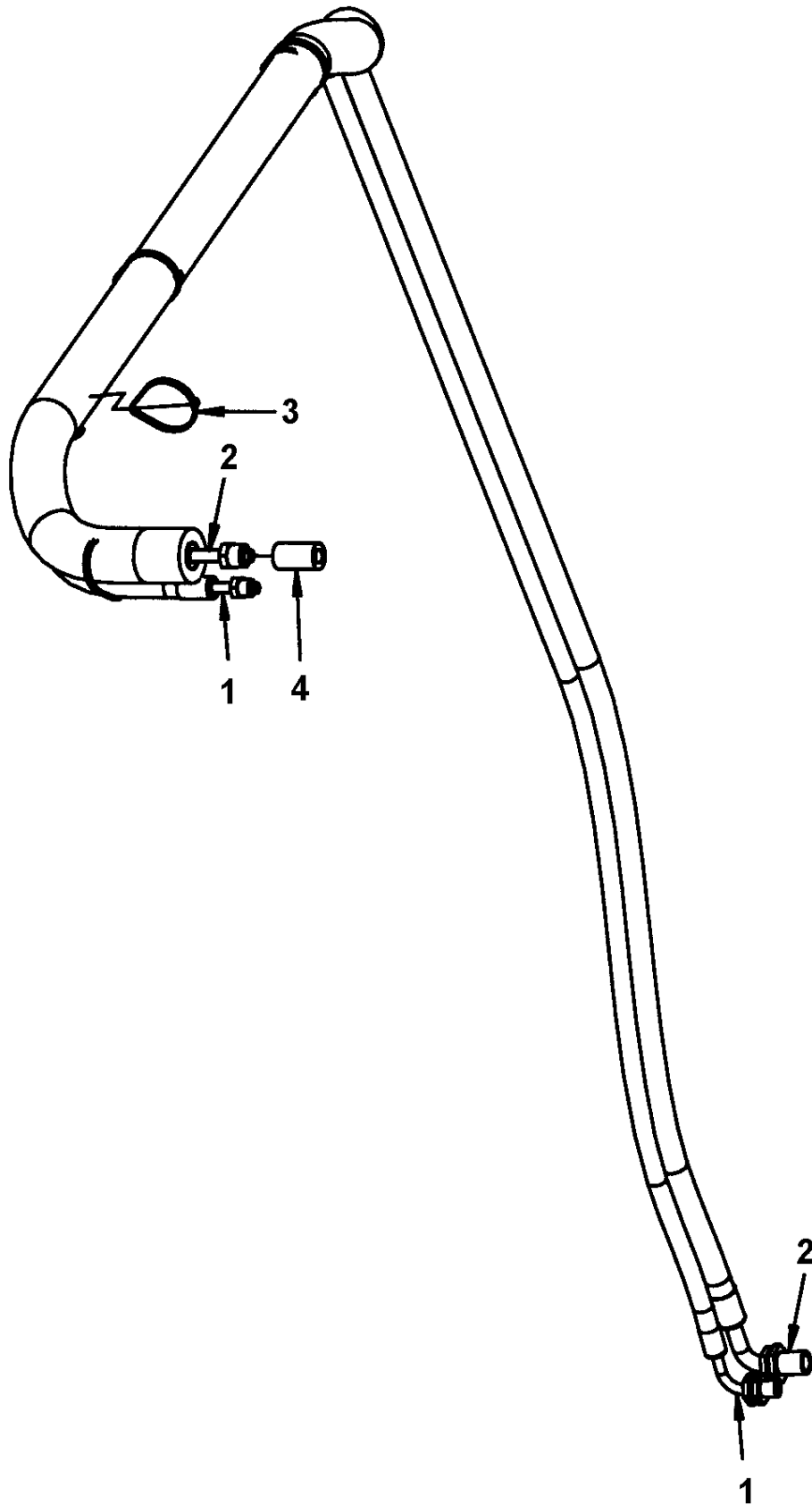
Air conditioning Compressor module AC

Refer to Parts Online for the most up to date information. The printed information might be outdated.

Fri Dec 11 01:19:36 MST 2015

| Item | Part No. | Name | Qty | L | SN INFO |
|------|------------|---------------------------------|-----|---|---------|
| 1 | 4812157765 | Compressor | 1 | | |
| 2 | 4812119649 | Bracket | 1 | | |
| 3 | 4812114046 | Belt tightener | 1 | | |
| 4 | 4812114047 | Adjusting unit | 1 | | |
| 5 | 4700904229 | Steel plain washer | 1 | | |
| 6 | 0147195898 | Hexagon head screw m | 1 | | |
| 7 | 4700904640 | Washer, 8.4x22x3 mm 300HV | 1 | | |
| 8 | 4700500025 | Screw, M8 x 50 mm 8.8 A2K | 1 | | |
| 9 | 4700904230 | Washer 10.5x22x2 mm 300 HV | 2 | | |
| 10 | 4700500030 | Hexagon head screw M | 1 | | |
| 11 | 4700586003 | Nut, M8 | 1 | | |
| 12 | 4700792797 | Hexagon socket head cap screw m | 1 | | |
| 13 | 4700570103 | Nut, M10 x 1.5 mm GEOMET® | 1 | | |
| 14 | 4812119307 | Pulley | 1 | | |
| 15 | 4700413049 | V-belt | 1 | | |
| 16 | 4700904703 | Plain washer 13x24x4 mm | 4 | | |
| 17 | 4700947687 | Screw M12-1,75x30 10,9 | 4 | | |
| 18 | 4700500508 | Screw, M8 x 50 mm 8.8 A2K | 3 | | |

Air conditioning Hose assy kit for AC



Refer to Parts Online for the most up to date information. The printed information might be outdated.

Fri Dec 11 01:19:36 MST 2015

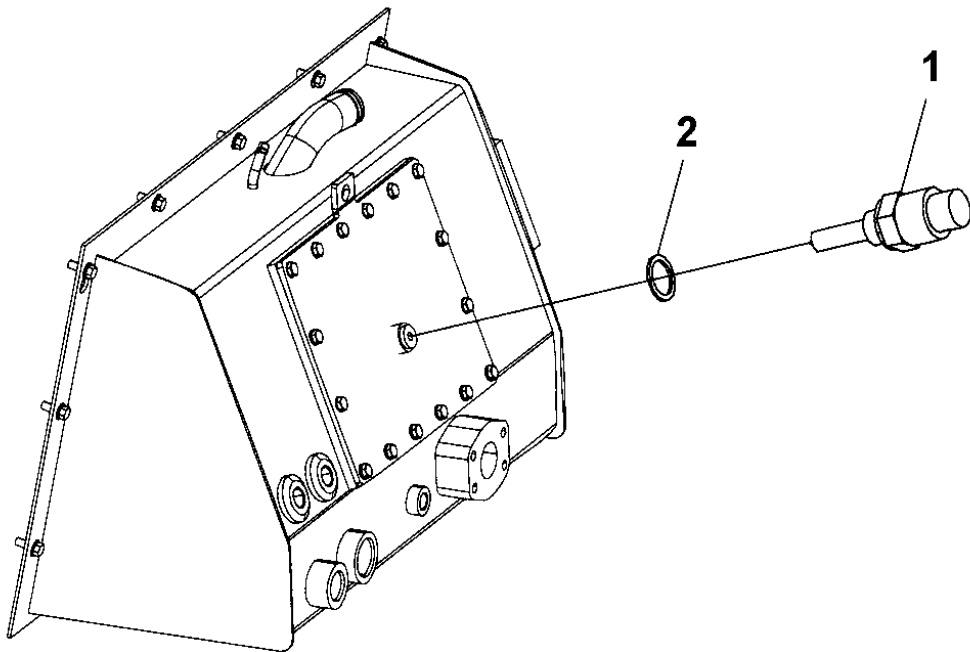
| Item | Part No. | Name | Qty | L | SN INFO |
|------|------------|------------------|-----|---|---------|
| 1 | 4812114931 | Refrigerant hose | 1 | | |
| 2 | 4812114932 | Refrigerant hose | 1 | | |
| 3 | 4700792609 | Cable ties | 7 | | |
| 4 | 4812117349 | Cork tape | 1XL | A | |

Comments for Page: Hose assy kit for AC

(L)OCAL REMARKS

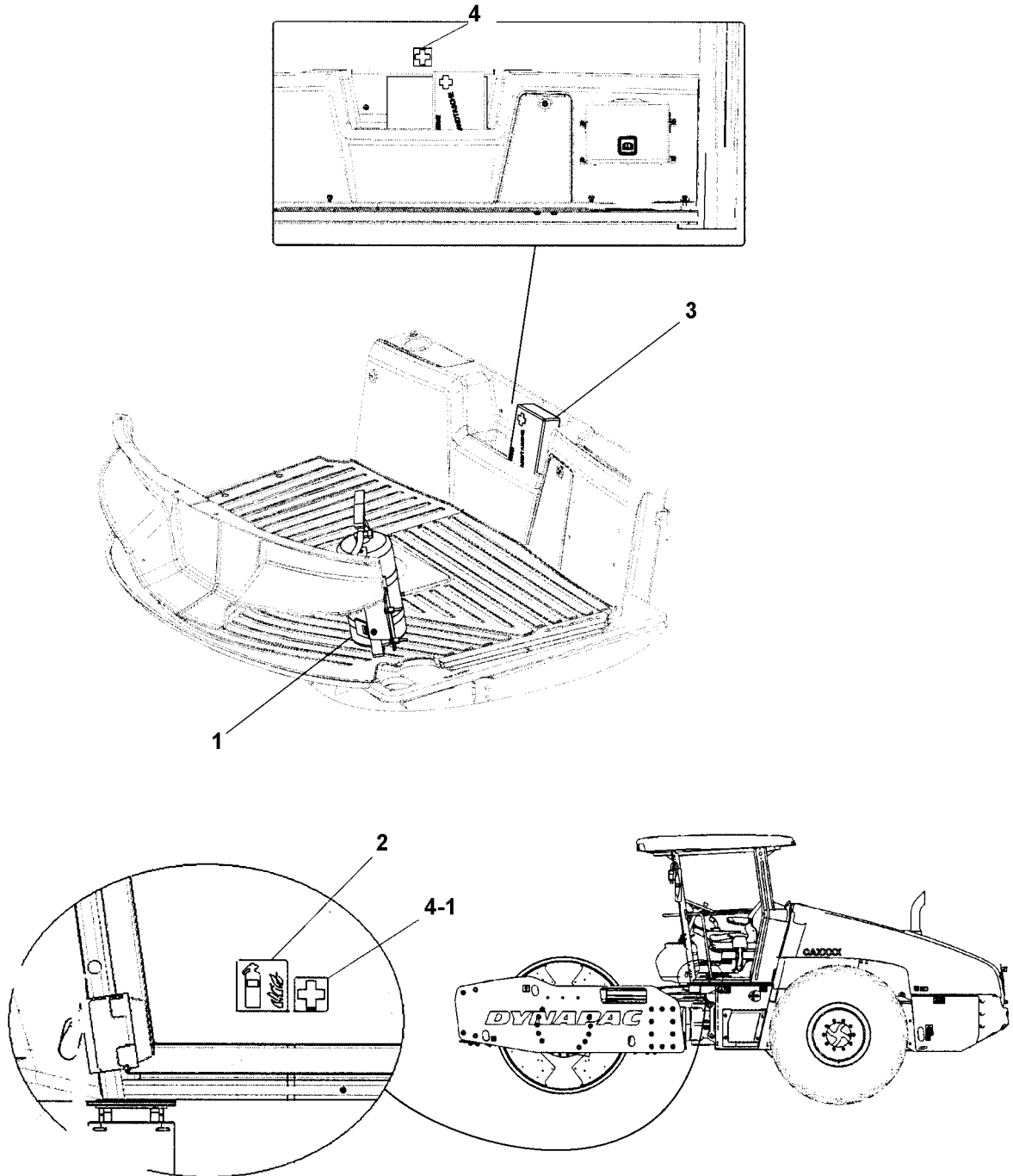
A | en_US | L = 0.2m

Level sensor module, option Level sensor module, option



| Item | Part No. | Name | Qty | L | SN INFO |
|------|------------|----------------------|-----|---|---------|
| 1 | 4812112423 | Level sensor | 1 | | |
| 2 | 4700330331 | Washer 18,2x23,9x1,5 | 1 | | |

Fire extinguisher/First Aid Cushion Fire extinguisher/First Aid Cushion



Refer to Parts Online for the most up to date information. The printed information might be outdated.

Fri Dec 11 01:19:37 MST 2015

| Item | Part No. | Name | Qty | L | SN INFO |
|------|------------|-------------------------|-----|---|---------|
| 1 | - | Fire extinguisher | 1 | | |
| 2 | 4700792634 | Decal fire extinguisher | 1 | A | |
| 3 | 4700394395 | First aid cushion | 1 | | |
| 4 | 4700902509 | Decal | 1 | B | |
| 4-1 | 4700902509 | Decal | 1 | A | |

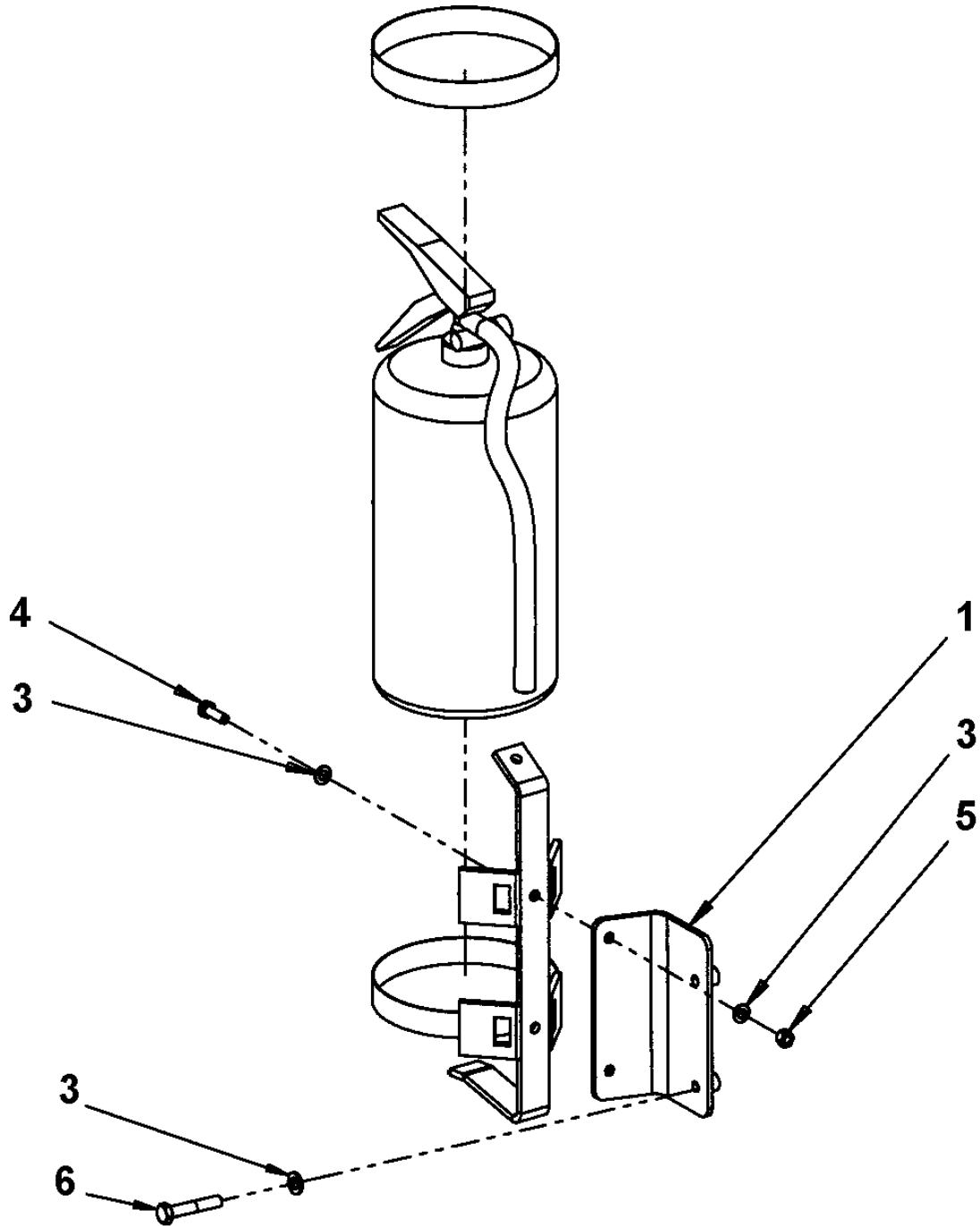
Comments for Page: Fire extinguisher/First Aid Cushion

(L)OCAL REMARKS

A | en_US | Location on cab.

B | en_US | Location on platform.

Fire extinguisher/First Aid Cushion Fire extinguisher

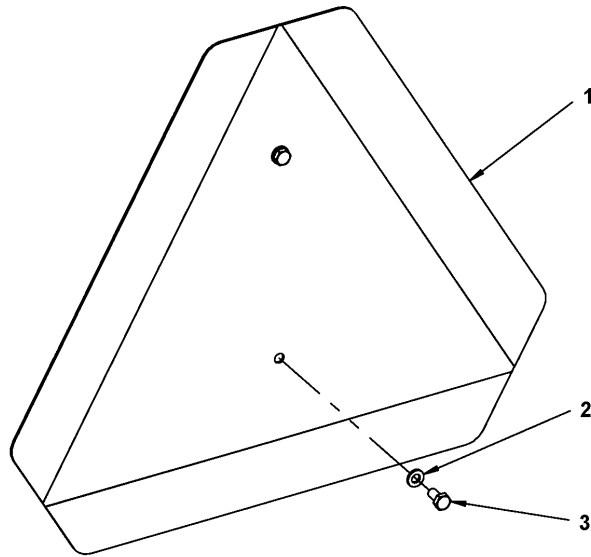


Refer to Parts Online for the most up to date information. The printed information might be outdated.

Fri Dec 11 01:19:38 MST 2015

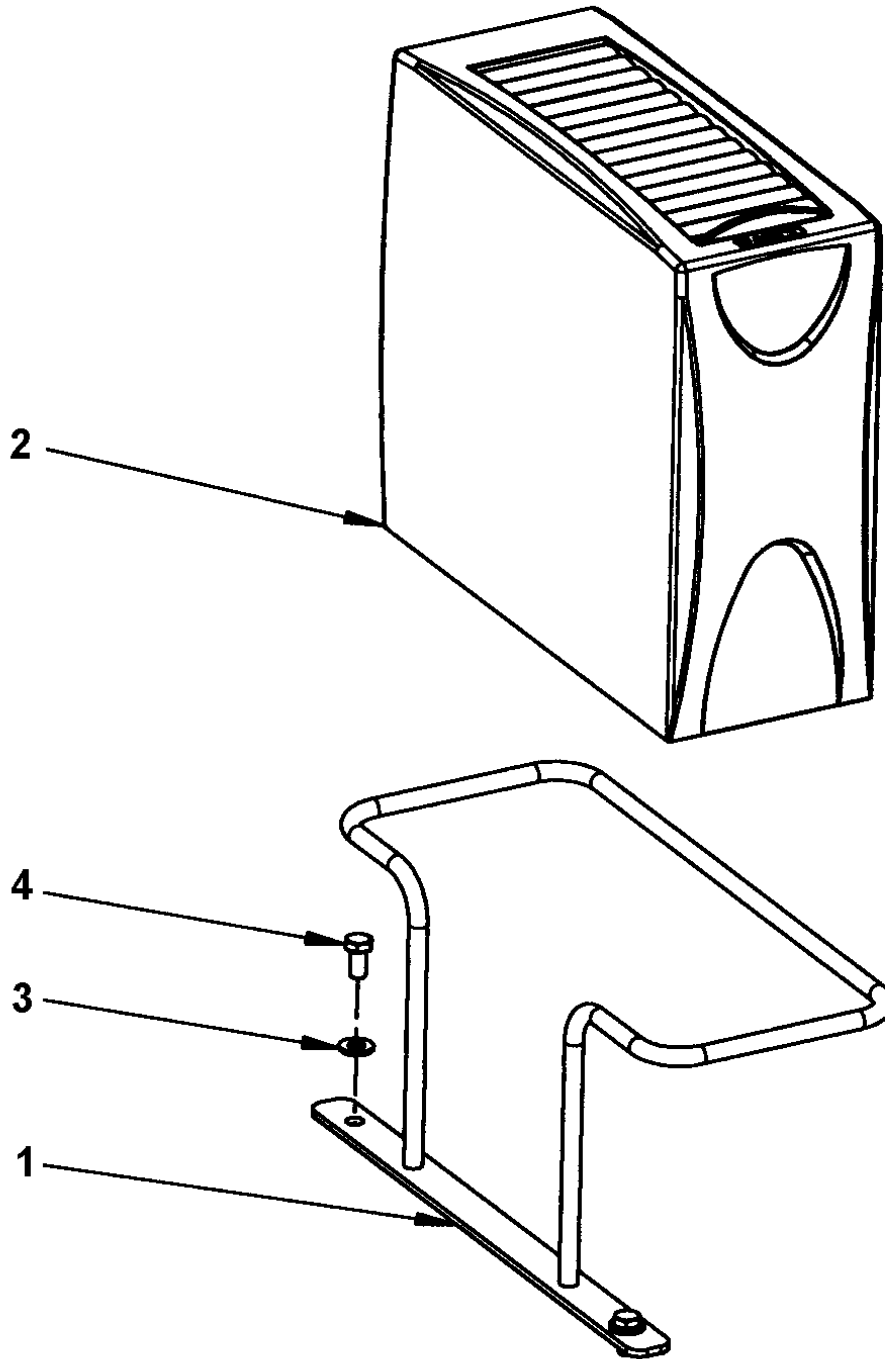
| Item | Part No. | Name | Qty | L | SN INFO |
|------|------------|--------------------|-----|---|---------|
| 1 | 4812114804 | Bracket | 1 | | |
| 3 | 4700904229 | Steel plain washer | 6 | | |
| 4 | 4700500021 | Hex. screw | 2 | | |
| 5 | 4700570005 | Hexagon nut | 2 | | |
| 6 | 4700500024 | Screw M8x45 | 2 | | |

SMV-sign SMV-sign



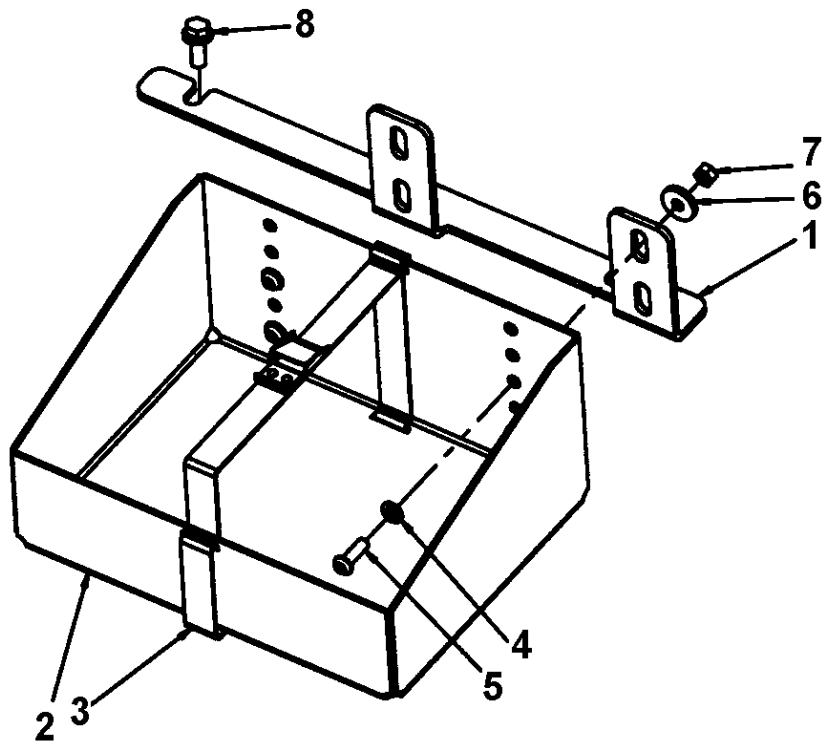
| Item | Part No. | Name | Qty | L | SN INFO |
|------|------------|-----------------------------|-----|---|---------|
| 1 | 4700476019 | SMV-sign | 1 | | |
| 2 | 4700904228 | Washer 6.4x12x1.5 mm 300 HV | 2 | | |
| 3 | 4700500012 | Hex. screw | 2 | | |

Cooling box module Cooling box module



| Item | Part No. | Name | Qty | L | SN INFO |
|------|------------|----------------------------|-----|---|---------|
| 1 | 4812114742 | Holder | 1 | | |
| 2 | 4812118842 | Cooling box | 1 | | |
| 2 | 4812160053 | Cable 12V | 1 | | |
| 3 | 4700904230 | Washer 10.5x22x2 mm 300 HV | 2 | | |
| 4 | 4700500048 | Screw, M10x20 mm 8.8 A3K | 2 | | |

Lunch box Lunch box



| Item | Part No. | Name | Qty | L | SN INFO |
|------|------------|-------------------------|-----|---|---------|
| 1 | 4812118893 | Bracket | 1 | | |
| 2 | 4700377913 | Box | 1 | | |
| 3 | 4700287643 | Metal strapping | 1 | | |
| 4 | 4700904229 | Steel plain washer | 4 | | |
| 5 | 4700904654 | Screw | 4 | | |
| 6 | 4700904734 | Washer, 8,4x26x4 300 HV | 4 | | |
| 7 | 4700570005 | Hexagon nut | 4 | | |
| 8 | 4700500509 | Screw, M10x25, 8.8 | 2 | | |

| Appendix B:Parts Index | | | |
|------------------------|--|------------|--|
| 0147195898 | 518 | 4700313022 | 500 |
| 0248998073 | 308 | 4700313023 | 408 |
| 0570702503 | 210 | 4700313033 | 122 |
| 0570704101 | 208 | 4700313041 | 74, 328, 330, 342, 346, 352, 358, 364, 418, 420, 456, 484, 506, 510, 514 |
| 0570704138 | 196 | 4700313068 | 328 |
| 291112842 | 32 | 4700313102 | 114 |
| 4700116041 | 22, 86, 88, 96 | 4700330171 | 126 |
| 4700150008 | 56 | 4700330330 | 126 |
| 4700151023 | 32, 50 | 4700330331 | 128, 212, 522 |
| 4700160043 | 164, 174, 186, 198 | 4700330333 | 140, 142 |
| 4700160105 | 22, 96 | 4700330383 | 98 |
| 4700160132 | 154 | 4700340863 | 94 |
| 4700160186 | 270 | 4700343318 | 86, 88, 96 |
| 4700160191 | 212 | 4700343744 | 82, 84, 86, 88, 90, 92 |
| 4700160231 | 238, 256 | 4700343748 | 210 |
| 4700160296 | 32 | 4700349715 | 94 |
| 4700162004 | 110 | 4700350009 | 460, 468 |
| 4700162008 | 210 | 4700355524 | 126 |
| 4700162015 | 132 | 4700355608 | 50, 300 |
| 4700162017 | 82, 84, 86, 88, 90, 92 | 4700355797 | 336 |
| 4700162027 | 82, 84, 86, 88, 90, 92 | 4700355889 | 58 |
| 4700167023 | 22, 86, 88, 96 | 4700355983 | 492 |
| 4700202028 | 386, 386, 386, 386, 386, 386, 414, 446 | 4700357138 | 10, 12, 16, 18, 210 |
| 4700202057 | 50 | 4700358254 | 394 |
| 4700205027 | 116 | 4700358881 | 28, 28, 52, 58, 490 |
| 4700205112 | 414, 418, 418, 456, 456 | 4700359043 | 464 |
| 4700212553 | 138, 146 | 4700359125 | 464 |
| 4700230384 | 98 | 4700359819 | 464 |
| 4700230515 | 98 | 4700359916 | 460 |
| 4700230516 | 98 | 4700359919 | 460 |
| 4700232039 | 210 | 4700359920 | 460 |
| 4700232097 | 250 | 4700359989 | 104, 130 |
| 4700232098 | 270 | 4700359998 | 382, 398 |
| 4700232118 | 210 | 4700372174 | 414 |
| 4700232145 | 250, 270 | 4700372457 | 398 |
| 4700232160 | 128 | 4700372597 | 132 |
| 4700233304 | 210 | 4700372658 | 58 |
| 4700234927 | 126 | 4700372672 | 460 |
| 4700234928 | 126 | 4700372772 | 98 |
| 4700272372 | 492 | 4700372964 | 460 |
| 4700272373 | 492 | 4700372965 | 460 |
| 4700287295 | 218, 280 | 4700374059 | 210 |
| 4700287643 | 532 | 4700374606 | 398 |
| 4700313001 | 126, 132, 210 | 4700374799 | 70 |
| 4700313002 | 126 | 4700377507 | 424 |
| 4700313003 | 456 | 4700377508 | 424 |
| 4700313004 | 414, 418, 456 | 4700377518 | 472 |
| 4700313006 | 116, 128 | 4700377742 | 30, 50 |
| 4700313009 | 210 | 4700377743 | 30 |
| 4700313010 | 116 | 4700377913 | 532 |

| | | | |
|------------|----------------------------|------------|--|
| 4700378712 | 106 | 4700392965 | 482 |
| 4700379718 | 460 | 4700393094 | 486 |
| 4700379728 | 464 | 4700393525 | 382 |
| 4700380018 | 82, 84, 86, 88, 90, 92 | 4700393959 | 492 |
| 4700380436 | 118 | 4700394275 | 342 |
| 4700381413 | 132, 132 | 4700394276 | 342 |
| 4700381943 | 452, 454 | 4700394395 | 524 |
| 4700381944 | 454 | 4700394536 | 58 |
| 4700382383 | 72 | 4700394542 | 344 |
| 4700382751 | 492, 492 | 4700394682 | 108 |
| 4700383024 | 112 | 4700394688 | 6, 8, 10, 12, 16, 18, 108 |
| 4700383425 | 508 | 4700394689 | 10, 12, 16, 18, 108 |
| 4700383705 | 394 | 4700395022 | 108 |
| 4700383844 | 46 | 4700395352 | 328 |
| 4700384114 | 76 | 4700395447 | 460 |
| 4700384121 | 76 | 4700395785 | 122, 484 |
| 4700384176 | 512 | 4700395816 | 98, 430 |
| 4700384584 | 394 | 4700395841 | 424 |
| 4700384877 | 514 | 4700395843 | 424 |
| 4700384878 | 512, 514 | 4700395888 | 344 |
| 4700385599 | 484 | 4700395947 | 490 |
| 4700386966 | 114 | 4700396043 | 362 |
| 4700387545 | 490 | 4700396044 | 362 |
| 4700388449 | 492 | 4700396047 | 362, 362 |
| 4700388737 | 484 | 4700396048 | 362 |
| 4700389600 | 106 | 4700396119 | 350 |
| 4700389857 | 50 | 4700396536 | 350 |
| 4700390365 | 52 | 4700396601 | 182, 206, 358, 360 |
| 4700390561 | 472 | 4700396634 | 300 |
| 4700390589 | 134 | 4700396635 | 300 |
| 4700390860 | 312 | 4700396662 | 484 |
| 4700390896 | 20, 82, 84, 86, 88, 90, 92 | 4700396670 | 490 |
| 4700390900 | 492 | 4700397305 | 42 |
| 4700390926 | 210 | 4700397604 | 488 |
| 4700390963 | 472 | 4700413049 | 518 |
| 4700391031 | 32 | 4700475064 | 56 |
| 4700391163 | 460, 462 | 4700476019 | 528 |
| 4700391299 | 112, 112, 112, 112 | 4700484342 | 292 |
| 4700391396 | 484 | 4700500002 | 354 |
| 4700391420 | 484 | 4700500003 | 362 |
| 4700392075 | 112 | 4700500004 | 388, 430, 444 |
| 4700392316 | 454 | 4700500006 | 340 |
| 4700392321 | 368 | 4700500007 | 98 |
| 4700392450 | 330 | 4700500009 | 122 |
| 4700392451 | 330 | 4700500010 | 338 |
| 4700392717 | 486 | 4700500012 | 126, 320, 324, 414, 422, 440, 528 |
| 4700392719 | 486 | 4700500013 | 210, 308, 312, 316, 354, 408 |
| 4700392810 | 114 | 4700500015 | 312, 358 |
| 4700392839 | 460 | 4700500018 | 218, 292 |
| 4700392840 | 460 | 4700500019 | 152, 172, 210, 276, 302, 306, 310, 342, 352 |
| 4700392930 | 484 | 4700500021 | 98, 106, 118, 118, 120, 130, 220, 224, 278, 304, 328, 364, |

| | | |
|---|------------|--|
| 460, 482, 504, 526 | 4700508017 | 484 |
| 4700500022 98, 152, 172, 210, 276, 380, 452, 466, 504 | 4700508019 | 302, 306, 452, 454 |
| 4700500024 120, 454, 526 | 4700508020 | 310 |
| 4700500025 278, 454, 518 | 4700508022 | 506 |
| 4700500026 292, 342, 352 | 4700508025 | 118 |
| 4700500027 214, 318 | 4700508026 | 376 |
| 4700500028 30, 30, 32, 54, 152, 172, 468, 470 | 4700508027 | 468 |
| 4700500029 98, 118, 218, 468 | 4700508028 | 52 |
| 4700500030 70, 102, 130, 164, 174, 518 | 4700508029 | 460 |
| 4700500031 68, 74, 128 | 4700508048 | 208, 250, 270 |
| 4700500035 76, 376 | 4700508053 | 250, 270 |
| 4700500037 112, 230 | 4700508063 | 210 |
| 4700500040 132, 344, 506, 510 | 4700508080 | 238 |
| 4700500046 250, 270, 282 | 4700508092 | 214, 470 |
| 4700500047 98 | 4700508096 | 98 |
| 4700500048 248, 366, 530 | 4700508099 | 506, 510 |
| 4700500053 76, 106, 112, 210, 280, 292, 298, 472 | 4700513012 | 50, 122 |
| 4700500055 102 | 4700513017 | 52 |
| 4700500056 104, 382 | 4700513027 | 378 |
| 4700500060 308, 484 | 4700516040 | 460 |
| 4700500067 454 | 4700541702 | 342 |
| 4700500070 30, 238 | 4700570003 | 316, 506, 510 |
| 4700500075 64, 302, 306, 482 | 4700570004 | 484 |
| 4700500079 362, 376, 414 | 4700570005 | 50, 98, 130, 130, 278, 298, 304, 308, 310, 364, 404, 500, 526, 532 |
| 4700500082 76, 82, 84, 86, 88, 90, 92, 104 | 4700570006 | 318 |
| 4700500090 276 | 4700570008 | 342 |
| 4700500091 50 | 4700570101 | 308 |
| 4700500093 164, 174, 256 | 4700570103 | 518 |
| 4700500102 36, 38, 104 | 4700573008 | 464 |
| 4700500107 104 | 4700586001 | 308, 338, 484, 488, 490 |
| 4700500115 486 | 4700586002 | 66, 302, 306, 362, 468, 482, 484, 486 |
| 4700500123 44 | 4700586003 | 278, 300, 302, 306, 364, 452, 454, 454, 460, 486, 504, 518 |
| 4700500133 96 | 4700586018 | 40, 68, 370 |
| 4700500161 40, 130, 274 | 4700586021 | 104 |
| 4700500163 82, 84, 86, 88, 90, 92 | 4700588176 | 492, 492 |
| 4700500189 194, 368 | 4700601001 | 338, 340, 388, 430, 444, 506, 510 |
| 4700500192 30 | 4700601003 | 386, 386, 408, 412 |
| 4700500194 118, 126, 154 | 4700603010 | 118 |
| 4700500195 398 | 4700604005 | 278 |
| 4700500239 50 | 4700606004 | 486 |
| 4700500249 278 | 4700615061 | 68 |
| 4700500270 46 | 4700615065 | 64 |
| 4700500287 30, 76 | 4700624005 | 492, 492 |
| 4700500501 292 | 4700624018 | 58 |
| 4700500502 66 | 4700630003 | 66 |
| 4700500503 132 | 4700630008 | 464 |
| 4700500505 108, 210, 484 | 4700747282 | 126 |
| 4700500508 518 | 4700791120 | 212 |
| 4700500509 68, 532 | 4700791145 | 98 |
| 4700502053 94 | 4700791156 | 82, 84, 86, 88, 90, 92 |
| 4700508001 360 | | |

| | | | |
|------------|-------------------------|------------|---|
| 4700791171 | 440 | 4700792068 | 210 |
| 4700791172 | 390 | 4700792074 | 292 |
| 4700791175 | 134 | 4700792083 | 32, 282 |
| 4700791176 | 134 | 4700792093 | 292 |
| 4700791182 | 404, 404, 408 | 4700792103 | 392 |
| 4700791185 | 426 | 4700792119 | 66, 114 |
| 4700791212 | 276, 278 | 4700792186 | 362 |
| 4700791231 | 186, 198, 214, 250, 270 | 4700792210 | 308, 314, 346, 376 |
| 4700791273 | 492 | 4700792261 | 134, 134 |
| 4700791318 | 278 | 4700792264 | 210 |
| 4700791396 | 30 | 4700792276 | 210 |
| 4700791397 | 196, 292 | 4700792295 | 132, 210 |
| 4700791405 | 210 | 4700792299 | 214, 278 |
| 4700791409 | 214 | 4700792309 | 308, 312, 426 |
| 4700791414 | 184, 196 | 4700792310 | 308 |
| 4700791421 | 488 | 4700792322 | 110 |
| 4700791431 | 98 | 4700792338 | 210 |
| 4700791453 | 376 | 4700792339 | 248, 276, 278 |
| 4700791454 | 376 | 4700792354 | 336 |
| 4700791460 | 112 | 4700792392 | 346 |
| 4700791475 | 414 | 4700792394 | 32 |
| 4700791518 | 298, 304 | 4700792397 | 364 |
| 4700791524 | 460, 482 | 4700792398 | 332 |
| 4700791541 | 196 | 4700792410 | 368 |
| 4700791542 | 196 | 4700792414 | 484 |
| 4700791549 | 256 | 4700792422 | 308, 328 |
| 4700791572 | 474, 476, 478, 480 | 4700792441 | 126, 298, 302, 304, 306, 308, 312, 328, 332, 362, 376, 418, 420, 478, 480 |
| 4700791588 | 484 | 4700792465 | 238 |
| 4700791642 | 108 | 4700792500 | 218, 280 |
| 4700791666 | 50, 414 | 4700792505 | 426 |
| 4700791711 | 228, 254 | 4700792515 | 32 |
| 4700791712 | 228, 254 | 4700792519 | 328 |
| 4700791723 | 484 | 4700792520 | 328 |
| 4700791733 | 484 | 4700792527 | 470, 474, 476, 478, 480 |
| 4700791739 | 484 | 4700792536 | 394 |
| 4700791743 | 214 | 4700792537 | 332 |
| 4700791799 | 280 | 4700792539 | 460 |
| 4700791805 | 228, 254 | 4700792586 | 280 |
| 4700791807 | 280 | 4700792589 | 394 |
| 4700791821 | 292 | 4700792601 | 56 |
| 4700791830 | 274 | 4700792609 | 330, 520 |
| 4700791831 | 230 | 4700792634 | 524 |
| 4700791832 | 292 | 4700792660 | 342 |
| 4700791835 | 256 | 4700792667 | 364 |
| 4700791843 | 214 | 4700792678 | 464 |
| 4700791858 | 196 | 4700792686 | 126, 514 |
| 4700791860 | 152, 172 | 4700792715 | 420 |
| 4700791956 | 50 | 4700792718 | 506, 510 |
| 4700791966 | 426 | 4700792761 | 350 |
| 4700791970 | 450 | 4700792762 | 350 |
| 4700792035 | 336 | | |

| | | | |
|------------|---|------------|--|
| 4700792763 | 350 | 4700903422 | 492 |
| 4700792772 | 492 | 4700903423 | 112, 496 |
| 4700792776 | 322 | 4700903424 | 496 |
| 4700792795 | 350 | 4700903425 | 394, 492 |
| 4700792797 | 518 | 4700903431 | 222, 226 |
| 4700792809 | 210 | 4700903456 | 280 |
| 4700801631 | 46 | 4700903459 | 492 |
| 4700813429 | 250 | 4700903586 | 50, 98, 108, 196 |
| 4700813618 | 236 | 4700903590 | 428 |
| 4700813791 | 108 | 4700903615 | 58 |
| 4700900229 | 230 | 4700903633 | 398 |
| 4700900255 | 136, 144 | 4700903640 | 302 |
| 4700900342 | 198 | 4700903641 | 28, 302 |
| 4700900775 | 82, 84, 86, 88, 90, 92 | 4700903662 | 486 |
| 4700900776 | 20, 82, 82, 84, 84, 86, 86, 88, 88, 90, 90, 92, 92 | 4700903670 | 414 |
| 4700900782 | 20, 82, 84, 86, 88, 90, 92 | 4700903703 | 116, 208 |
| 4700900957 | 140, 148 | 4700903714 | 132, 132 |
| 4700900966 | 140 | 4700903741 | 26, 310, 312 |
| 4700900994 | 282 | 4700903768 | 208 |
| 4700901145 | 382, 398 | 4700903795 | 96 |
| 4700901157 | 238, 256 | 4700903906 | 154 |
| 4700901218 | 134 | 4700903917 | 460 |
| 4700901224 | 26 | 4700903918 | 460 |
| 4700901225 | 26, 310, 312 | 4700903923 | 64 |
| 4700901226 | 26, 328 | 4700903942 | 6, 8, 10, 12, 16, 18, 100 |
| 4700901227 | 26, 310, 312, 314, 328, 342, 356, 426 | 4700903985 | 134, 492 |
| 4700901228 | 26, 310, 426 | 4700904004 | 164, 174, 238 |
| 4700901229 | 26 | 4700904005 | 154, 186, 230, 256 |
| 4700901230 | 26 | 4700904015 | 356 |
| 4700901381 | 30 | 4700904024 | 356 |
| 4700901443 | 134 | 4700904036 | 308 |
| 4700901444 | 134 | 4700904037 | 26, 298, 304, 326 |
| 4700901987 | 142, 150 | 4700904038 | 26, 298, 304 |
| 4700902041 | 58 | 4700904039 | 26, 298, 304 |
| 4700902160 | 126 | 4700904040 | 26 |
| 4700902166 | 30 | 4700904041 | 26 |
| 4700902282 | 382 | 4700904042 | 26 |
| 4700902284 | 340 | 4700904165 | 500 |
| 4700902285 | 52, 64, 292 | 4700904171 | 198 |
| 4700902286 | 116, 152, 172, 194, 208, 218, 228, 254, 280, 368, 472 | 4700904206 | 122, 440 |
| 4700902379 | 392 | 4700904213 | 118, 126 |
| 4700902509 | 524, 524 | 4700904214 | 460 |
| 4700902520 | 460 | 4700904228 | 50, 96, 126, 132, 210, 302, 306, 308, 312, 316, 320, 324, 344, 358, 362, 376, 404, 408, 420, 422, 440, 468, 482, 484, 486, 506, 510, 528 |
| 4700902783 | 264 | 4700904229 | 98, 106, 108, 118, 120, 130, 152, 172, 208, 210, 214, 218, 220, 224, 250, 270, 276, 278, 280, 292, 298, 300, 302, 304, 306, 310, 328, 342, 352, 364, 368, 380, 414, 414, 452, 454, 460, 464, 466, 468, 472, 482, 500, 504, 518, 526, 532 |
| 4700902804 | 484 | 4700904230 | 30, 30, 40, 54, 68, 70, 74, 102, 128, 130, 152, 172, 214, 218, 248, 274, 318, 366, 370, 470, 518, 530 |
| 4700902866 | 28, 28, 64, 66 | 4700904231 | 32, 76, 96, 112, 112, 154, 250, 270, 376 |
| 4700902930 | 188 | | |
| 4700902996 | 166, 182, 190, 206 | | |
| 4700903290 | 30, 382, 398 | | |
| 4700903386 | 380 | | |

| | | | |
|------------|---|------------|-------------------------|
| 4700904232 | 30, 44, 76, 82, 84, 86, 88, 90, 92, 164, 174 | 4700908485 | 138, 146 |
| 4700904233 | 30, 76, 134, 382, 398 | 4700908505 | 386, 428 |
| 4700904281 | 98, 122, 308, 310, 316, 338, 362, 484, 488, 490 | 4700908506 | 428 |
| 4700904294 | 26 | 4700908507 | 428 |
| 4700904299 | 506 | 4700908561 | 408 |
| 4700904312 | 312 | 4700908564 | 408 |
| 4700904346 | 210 | 4700909129 | 392 |
| 4700904388 | 492 | 4700909525 | 166, 182, 190, 206 |
| 4700904389 | 492, 496 | 4700909544 | 140, 148 |
| 4700904390 | 492 | 4700909550 | 146 |
| 4700904391 | 492, 496 | 4700909551 | 146 |
| 4700904394 | 126 | 4700909552 | 146 |
| 4700904487 | 30 | 4700909553 | 146 |
| 4700904489 | 98 | 4700909554 | 146 |
| 4700904504 | 316, 426 | 4700909557 | 146 |
| 4700904556 | 76, 106, 112, 118, 130, 212, 276, 278, 302, 306, 454, 504, 504 | 4700909558 | 146 |
| 4700904557 | 50, 70, 152, 172, 390, 468 | 4700909561 | 146 |
| 4700904558 | 32, 36, 38, 42, 46, 104, 238, 256 | 4700909562 | 146 |
| 4700904563 | 408 | 4700909565 | 146 |
| 4700904567 | 32 | 4700909567 | 138, 146 |
| 4700904570 | 322 | 4700909568 | 138, 146 |
| 4700904584 | 238, 256 | 4700909569 | 138, 146 |
| 4700904619 | 490 | 4700909570 | 138, 146 |
| 4700904623 | 280 | 4700909572 | 138, 146 |
| 4700904637 | 98, 164, 174, 238, 250, 270 | 4700909574 | 138, 146 |
| 4700904638 | 154, 186, 198, 210, 230, 256 | 4700909576 | 138, 146 |
| 4700904640 | 112, 120, 130, 220, 224, 278, 368, 460, 464, 504, 518 | 4700909580 | 138, 146 |
| 4700904653 | 340, 490 | 4700909581 | 138, 146 |
| 4700904654 | 532 | 4700909584 | 136, 144 |
| 4700904698 | 64, 312, 354, 378, 380, 484, 506 | 4700909586 | 142, 150 |
| 4700904703 | 230, 474, 476, 478, 480, 518 | 4700909596 | 140, 142 |
| 4700904734 | 196, 278, 292, 532 | 4700909609 | 140, 140, 142, 148, 150 |
| 4700904735 | 334, 354 | 4700909616 | 140, 148 |
| 4700904766 | 208, 292 | 4700909618 | 140 |
| 4700904774 | 208, 250, 270 | 4700909619 | 140 |
| 4700904793 | 184, 196 | 4700909622 | 140 |
| 4700904835 | 492 | 4700909624 | 140 |
| 4700904870 | 492, 492 | 4700909626 | 140, 148 |
| 4700904872 | 218, 280 | 4700910162 | 214 |
| 4700904895 | 492 | 4700921046 | 126 |
| 4700904911 | 320 | 4700921050 | 116 |
| 4700904943 | 292 | 4700921078 | 358 |
| 4700904985 | 126, 132, 132, 210 | 4700921080 | 330 |
| 4700904986 | 126, 126 | 4700921161 | 248 |
| 4700904988 | 128 | 4700921723 | 52 |
| 4700908229 | 492, 492 | 4700923008 | 210, 218 |
| 4700908399 | 108 | 4700923087 | 166 |
| 4700908432 | 166 | 4700923342 | 138, 146 |
| 4700908440 | 166 | 4700923384 | 154, 186, 230, 256 |
| | | 4700923859 | 376 |
| | | 4700923876 | 376 |

| | | | |
|------------|--------------------|------------|----------|
| 4700923976 | 64, 378, 380, 506 | 4700939019 | 142 |
| 4700925208 | 30 | 4700939026 | 140 |
| 4700925519 | 112 | 4700939035 | 140 |
| 4700926215 | 50 | 4700939036 | 140 |
| 4700926537 | 310, 506, 510 | 4700939255 | 140 |
| 4700926757 | 146 | 4700939256 | 140 |
| 4700926781 | 142, 150 | 4700939258 | 138, 146 |
| 4700926810 | 140, 148 | 4700939259 | 138, 146 |
| 4700926813 | 150 | 4700939260 | 138, 146 |
| 4700926847 | 140, 148 | 4700939261 | 138, 146 |
| 4700927233 | 56 | 4700939263 | 142 |
| 4700927278 | 264 | 4700939264 | 142 |
| 4700927410 | 382 | 4700939265 | 142, 150 |
| 4700927857 | 130 | 4700939266 | 142, 150 |
| 4700928347 | 474, 476, 478, 480 | 4700939267 | 142, 150 |
| 4700928381 | 422, 422 | 4700939268 | 142 |
| 4700928441 | 102 | 4700939269 | 142, 150 |
| 4700928467 | 312 | 4700939270 | 142, 150 |
| 4700928784 | 334 | 4700939271 | 142, 150 |
| 4700928791 | 186, 198, 230, 256 | 4700939272 | 142, 150 |
| 4700929217 | 134 | 4700939273 | 142, 150 |
| 4700929226 | 164, 174, 238 | 4700939275 | 142, 150 |
| 4700929409 | 76 | 4700939276 | 142, 150 |
| 4700929447 | 22, 86, 88, 96 | 4700939277 | 142 |
| 4700929455 | 336 | 4700939278 | 142 |
| 4700929587 | 392, 414 | 4700939280 | 140 |
| 4700929617 | 140, 148 | 4700939281 | 140 |
| 4700929626 | 138 | 4700939282 | 140 |
| 4700929630 | 138 | 4700939283 | 140 |
| 4700929631 | 138 | 4700939284 | 140 |
| 4700929638 | 138, 146 | 4700939285 | 140 |
| 4700929644 | 138, 146 | 4700939286 | 140 |
| 4700929648 | 136, 144 | 4700939287 | 140 |
| 4700936313 | 258 | 4700939348 | 148, 150 |
| 4700936359 | 264 | 4700939349 | 142, 150 |
| 4700936367 | 264 | 4700939350 | 142, 150 |
| 4700936374 | 264 | 4700939351 | 142 |
| 4700937620 | 470 | 4700939693 | 414 |
| 4700937621 | 470 | 4700940451 | 28, 484 |
| 4700937892 | 470 | 4700940676 | 240 |
| 4700938296 | 140, 148 | 4700945622 | 472 |
| 4700938622 | 424 | 4700945632 | 462 |
| 4700938624 | 506 | 4700945633 | 462 |
| 4700938983 | 140, 148 | 4700945634 | 462 |
| 4700938984 | 140, 140, 148 | 4700945635 | 462 |
| 4700938989 | 138, 146 | 4700945636 | 462 |
| 4700938991 | 138, 146 | 4700945637 | 462 |
| 4700939003 | 142 | 4700945657 | 20 |
| 4700939015 | 142, 150 | 4700945660 | 472 |
| 4700939016 | 142 | 4700945661 | 472 |
| 4700939017 | 142 | 4700945757 | 188, 206 |

| | | | |
|------------|---------------------------|------------|---------------------------|
| 4700947679 | 464 | 4811000232 | 290 |
| 4700947680 | 386, 412 | 4811000233 | 290 |
| 4700947687 | 518 | 4811000234 | 152, 172 |
| 4700947690 | 112 | 4811000235 | 152, 172 |
| 4700950348 | 510 | 4811000236 | 152, 172 |
| 4700950417 | 284 | 4811000237 | 152, 172 |
| 4700950568 | 6, 8, 10, 12, 16, 18, 100 | 4811000238 | 152, 172 |
| 4700950631 | 158 | 4811000239 | 152, 172 |
| 4700950632 | 158 | 4811000240 | 152, 172 |
| 4700950634 | 156 | 4811000242 | 196 |
| 4700960067 | 356 | 4811000261 | 274 |
| 4700989151 | 212 | 4811000263 | 274 |
| 4700991658 | 492 | 4811000265 | 450 |
| 4811000074 | 154, 288, 292 | 4811000268 | 450 |
| 4811000077 | 364 | 4811000269 | 450 |
| 4811000086 | 184, 196 | 4811000292 | 352 |
| 4811000149 | 98 | 4811000305 | 292 |
| 4811000150 | 98 | 4811000310 | 184, 196 |
| 4811000163 | 328 | 4811000316 | 362 |
| 4811000172 | 298, 304 | 4811000341 | 292 |
| 4811000176 | 298, 304 | 4811000391 | 292 |
| 4811000177 | 298 | 4811000392 | 292 |
| 4811000178 | 298 | 4811000393 | 292 |
| 4811000197 | 208 | 4811000395 | 348 |
| 4811000198 | 208 | 4811000396 | 372 |
| 4811000199 | 208 | 4811000397 | 372 |
| 4811000200 | 274 | 4811000416 | 152, 172 |
| 4811000201 | 274 | 4811000417 | 238 |
| 4811000202 | 210 | 4811000429 | 328 |
| 4811000203 | 274 | 4811000458 | 422, 506, 510 |
| 4811000204 | 274 | 4811000462 | 74 |
| 4811000205 | 274 | 4811000481 | 130 |
| 4811000206 | 280 | 4811000529 | 352 |
| 4811000207 | 280 | 4812002714 | 118 |
| 4811000209 | 208 | 4812008274 | 4 |
| 4811000211 | 208 | 4812028097 | 100 |
| 4811000212 | 228, 254 | 4812030096 | 12, 18, 94 |
| 4811000214 | 208 | 4812030117 | 12, 18 |
| 4811000215 | 208 | 4812031626 | 6, 8, 10, 12, 16, 18, 118 |
| 4811000216 | 228, 254 | 4812110352 | 454 |
| 4811000217 | 208 | 4812110367 | 452 |
| 4811000218 | 228, 254 | 4812110560 | 308 |
| 4811000220 | 228, 254 | 4812110572 | 42 |
| 4811000221 | 228, 254 | 4812110642 | 76 |
| 4811000223 | 254 | 4812110644 | 76 |
| 4811000224 | 254 | 4812110768 | 112 |
| 4811000227 | 184 | 4812110769 | 112 |
| 4811000228 | 184, 196 | 4812110843 | 112 |
| 4811000229 | 184, 196 | 4812110884 | 328 |
| 4811000230 | 184, 196 | 4812110885 | 468 |
| 4811000231 | 290 | 4812110886 | 484 |

| | | | |
|------------|------------|------------|------------------------|
| 4812110891 | 466 | 4812112175 | 238 |
| 4812110901 | 484 | 4812112181 | 256 |
| 4812110930 | 112 | 4812112188 | 292, 294 |
| 4812110931 | 132 | 4812112200 | 164 |
| 4812111020 | 36, 40 | 4812112202 | 174 |
| 4812111035 | 220, 224 | 4812112211 | 186 |
| 4812111046 | 24, 76 | 4812112213 | 198 |
| 4812111092 | 40 | 4812112227 | 358 |
| 4812111103 | 36, 40, 42 | 4812112229 | 358 |
| 4812111122 | 90, 92 | 4812112231 | 358 |
| 4812111167 | 76 | 4812112236 | 292, 296 |
| 4812111214 | 250 | 4812112238 | 214, 216 |
| 4812111216 | 482 | 4812112260 | 248 |
| 4812111241 | 326 | 4812112262 | 4, 10, 12, 16, 18, 248 |
| 4812111248 | 332 | 4812112267 | 384, 400, 442 |
| 4812111264 | 112 | 4812112290 | 288 |
| 4812111268 | 358 | 4812112294 | 398 |
| 4812111294 | 468 | 4812112304 | 152, 172 |
| 4812111311 | 500 | 4812112306 | 152, 172 |
| 4812111326 | 366 | 4812112308 | 152, 172 |
| 4812111653 | 30 | 4812112325 | 364 |
| 4812111768 | 276 | 4812112341 | 274 |
| 4812111769 | 278 | 4812112343 | 124 |
| 4812111770 | 276 | 4812112344 | 124 |
| 4812111771 | 276 | 4812112355 | 98 |
| 4812111780 | 484 | 4812112374 | 328 |
| 4812111831 | 76 | 4812112393 | 134 |
| 4812111832 | 134 | 4812112402 | 70 |
| 4812111833 | 134, 136 | 4812112403 | 66 |
| 4812111981 | 302, 306 | 4812112404 | 64 |
| 4812112000 | 302, 306 | 4812112405 | 72 |
| 4812112015 | 98 | 4812112413 | 86, 88, 96 |
| 4812112017 | 314 | 4812112417 | 352 |
| 4812112043 | 76 | 4812112419 | 352, 358 |
| 4812112044 | 76 | 4812112423 | 522 |
| 4812112059 | 52 | 4812112438 | 76 |
| 4812112062 | 358 | 4812112455 | 82, 84, 86, 88 |
| 4812112065 | 310 | 4812112460 | 368 |
| 4812112066 | 310 | 4812112465 | 76 |
| 4812112067 | 310 | 4812112479 | 130 |
| 4812112068 | 352 | 4812112487 | 106 |
| 4812112070 | 310 | 4812112535 | 30 |
| 4812112071 | 362 | 4812112542 | 218 |
| 4812112072 | 376 | 4812112555 | 208, 278 |
| 4812112097 | 110 | 4812112556 | 210 |
| 4812112108 | 250, 270 | 4812112559 | 274 |
| 4812112111 | 76 | 4812112560 | 230 |
| 4812112138 | 82, 86, 90 | 4812112561 | 230 |
| 4812112139 | 84, 88, 92 | 4812112614 | 36 |
| 4812112159 | 30 | 4812112639 | 124 |
| 4812112171 | 230, 232 | 4812112640 | 378 |

| | | | |
|------------|------------------------|------------|---------------|
| 4812112641 | 378 | 4812113478 | 468 |
| 4812112642 | 378 | 4812113491 | 514 |
| 4812112647 | 124 | 4812113492 | 514 |
| 4812112648 | 210 | 4812113569 | 152, 172 |
| 4812112655 | 122 | 4812113573 | 106 |
| 4812112656 | 122 | 4812113607 | 30 |
| 4812112686 | 316 | 4812113622 | 510 |
| 4812112691 | 316 | 4812113623 | 506, 510 |
| 4812112710 | 130 | 4812113624 | 506 |
| 4812112729 | 122 | 4812113640 | 124 |
| 4812112736 | 74 | 4812113641 | 124 |
| 4812112761 | 124 | 4812113708 | 112, 112 |
| 4812112774 | 368 | 4812113786 | 486 |
| 4812112776 | 124 | 4812113819 | 100 |
| 4812112777 | 124 | 4812113832 | 94 |
| 4812112784 | 82, 84, 86, 88, 90, 92 | 4812113875 | 484 |
| 4812112792 | 378 | 4812113878 | 112 |
| 4812112793 | 328 | 4812113879 | 112 |
| 4812112834 | 64 | 4812113897 | 114 |
| 4812112837 | 354 | 4812113898 | 114 |
| 4812112838 | 354 | 4812113903 | 96 |
| 4812112843 | 66 | 4812113926 | 106 |
| 4812112884 | 66 | 4812113941 | 218, 228, 254 |
| 4812112916 | 328 | 4812113959 | 98 |
| 4812112917 | 352 | 4812113963 | 152, 172 |
| 4812112924 | 338 | 4812113983 | 280 |
| 4812112950 | 74 | 4812114046 | 518 |
| 4812112952 | 74 | 4812114047 | 518 |
| 4812113032 | 504 | 4812114100 | 228 |
| 4812113040 | 130 | 4812114101 | 228 |
| 4812113058 | 348 | 4812114107 | 106 |
| 4812113083 | 502 | 4812114146 | 348 |
| 4812113086 | 372 | 4812114156 | 348 |
| 4812113090 | 76 | 4812114172 | 468 |
| 4812113111 | 126, 126 | 4812114194 | 450 |
| 4812113117 | 328 | 4812114205 | 210 |
| 4812113118 | 328 | 4812114212 | 118 |
| 4812113123 | 378 | 4812114213 | 484 |
| 4812113140 | 328 | 4812114214 | 484 |
| 4812113141 | 328 | 4812114221 | 98 |
| 4812113158 | 348 | 4812114223 | 94 |
| 4812113160 | 348 | 4812114224 | 130 |
| 4812113162 | 362 | 4812114225 | 130 |
| 4812113167 | 342 | 4812114226 | 130 |
| 4812113168 | 24, 76 | 4812114227 | 130 |
| 4812113169 | 76 | 4812114228 | 130 |
| 4812113170 | 76 | 4812114245 | 502 |
| 4812113238 | 346 | 4812114246 | 502 |
| 4812113245 | 502 | 4812114257 | 500 |
| 4812113315 | 52 | 4812114280 | 110 |
| 4812113476 | 96 | 4812114311 | 506, 510 |

| | | | |
|------------|-----------------------------------|------------|---------------|
| 4812114397 | 104 | 4812114612 | 408 |
| 4812114426 | 310 | 4812114613 | 408 |
| 4812114433 | 372 | 4812114619 | 312 |
| 4812114434 | 214 | 4812114622 | 194 |
| 4812114465 | 112 | 4812114652 | 194 |
| 4812114492 | 276 | 4812114655 | 312 |
| 4812114519 | 228, 254 | 4812114656 | 328 |
| 4812114546 | 104 | 4812114720 | 370 |
| 4812114547 | 104 | 4812114726 | 30 |
| 4812114548 | 104 | 4812114742 | 530 |
| 4812114563 | 388, 444 | 4812114756 | 58 |
| 4812114564 | 388, 430, 444 | 4812114777 | 76 |
| 4812114565 | 388, 430, 444 | 4812114803 | 484 |
| 4812114566 | 388, 430, 444 | 4812114804 | 526 |
| 4812114567 | 388, 422, 430, 432, 440, 444, 446 | 4812114813 | 122 |
| 4812114568 | 384, 442 | 4812114814 | 62 |
| 4812114569 | 390 | 4812114815 | 270 |
| 4812114570 | 432 | 4812114828 | 66 |
| 4812114571 | 432 | 4812114829 | 66 |
| 4812114572 | 432, 446 | 4812114830 | 66 |
| 4812114573 | 430 | 4812114831 | 66 |
| 4812114574 | 430 | 4812114833 | 40 |
| 4812114575 | 430 | 4812114873 | 328 |
| 4812114576 | 430 | 4812114910 | 30 |
| 4812114577 | 438 | 4812114913 | 124 |
| 4812114578 | 438 | 4812114931 | 520 |
| 4812114579 | 438 | 4812114932 | 520 |
| 4812114580 | 438 | 4812114935 | 122 |
| 4812114581 | 438 | 4812114949 | 122 |
| 4812114582 | 440 | 4812114969 | 76 |
| 4812114583 | 440 | 4812114971 | 76 |
| 4812114584 | 440 | 4812114973 | 498 |
| 4812114585 | 440 | 4812114984 | 362 |
| 4812114586 | 402 | 4812115011 | 456 |
| 4812114587 | 402 | 4812115013 | 506, 510 |
| 4812114588 | 402 | 4812115019 | 456 |
| 4812114593 | 404 | 4812115020 | 368 |
| 4812114598 | 408 | 4812115022 | 68 |
| 4812114599 | 408 | 4812115026 | 456 |
| 4812114600 | 408 | 4812115051 | 164, 174, 230 |
| 4812114601 | 408 | 4812115063 | 288 |
| 4812114602 | 408 | 4812115064 | 208, 288 |
| 4812114603 | 408 | 4812115065 | 288 |
| 4812114604 | 408 | 4812115066 | 68 |
| 4812114605 | 408 | 4812115067 | 68 |
| 4812114606 | 408 | 4812115068 | 68 |
| 4812114607 | 408 | 4812115069 | 68 |
| 4812114608 | 408 | 4812115093 | 342 |
| 4812114609 | 408 | 4812115147 | 100 |
| 4812114610 | 408 | 4812115162 | 408 |
| 4812114611 | 408, 408, 408, 408, 408 | 4812115164 | 386, 412, 414 |

| | | | |
|------------|----------|------------|----------|
| 4812115165 | 412 | 4812115219 | 406 |
| 4812115166 | 386 | 4812115220 | 406 |
| 4812115167 | 418 | 4812115223 | 406 |
| 4812115168 | 418 | 4812115224 | 436 |
| 4812115169 | 418 | 4812115225 | 406 |
| 4812115170 | 386, 412 | 4812115226 | 406 |
| 4812115171 | 386, 412 | 4812115228 | 414 |
| 4812115172 | 418 | 4812115229 | 414 |
| 4812115175 | 422 | 4812115230 | 414 |
| 4812115177 | 422 | 4812115387 | 382, 398 |
| 4812115178 | 422 | 4812115392 | 32 |
| 4812115179 | 422 | 4812115398 | 32 |
| 4812115180 | 422 | 4812115463 | 278 |
| 4812115181 | 420 | 4812115467 | 32 |
| 4812115182 | 420 | 4812115508 | 46 |
| 4812115183 | 420 | 4812115723 | 68 |
| 4812115184 | 426 | 4812115767 | 318 |
| 4812115185 | 426 | 4812115810 | 374 |
| 4812115186 | 392, 414 | 4812115832 | 274 |
| 4812115187 | 426 | 4812115835 | 152, 514 |
| 4812115188 | 436 | 4812115921 | 376 |
| 4812115189 | 436 | 4812115947 | 32 |
| 4812115190 | 436 | 4812115949 | 32 |
| 4812115191 | 436 | 4812115950 | 32 |
| 4812115192 | 448 | 4812116023 | 96 |
| 4812115193 | 386 | 4812116029 | 76 |
| 4812115194 | 386 | 4812116039 | 134 |
| 4812115195 | 386 | 4812116181 | 376 |
| 4812115196 | 386 | 4812116192 | 414 |
| 4812115197 | 434 | 4812116193 | 414 |
| 4812115198 | 434 | 4812116194 | 414 |
| 4812115199 | 436 | 4812116195 | 414 |
| 4812115200 | 404 | 4812116197 | 414 |
| 4812115201 | 404 | 4812116198 | 414 |
| 4812115202 | 402 | 4812116199 | 404 |
| 4812115203 | 404 | 4812116201 | 414 |
| 4812115204 | 404 | 4812116308 | 68 |
| 4812115205 | 404 | 4812116333 | 32 |
| 4812115206 | 404 | 4812116334 | 32 |
| 4812115207 | 404 | 4812116340 | 32 |
| 4812115208 | 404 | 4812116341 | 130 |
| 4812115209 | 404 | 4812116342 | 130 |
| 4812115210 | 404 | 4812116346 | 380 |
| 4812115211 | 404 | 4812116354 | 380 |
| 4812115212 | 404 | 4812116357 | 470 |
| 4812115213 | 404 | 4812116361 | 304 |
| 4812115214 | 404 | 4812116362 | 304 |
| 4812115215 | 404 | 4812116367 | 380 |
| 4812115216 | 404 | 4812116587 | 380 |
| 4812115217 | 404 | 4812116588 | 380 |
| 4812115218 | 404 | 4812116617 | 46 |

| | | | |
|------------|-------------------|------------|--------------------------------|
| 4812116622 | 368 | 4812117530 | 32 |
| 4812116645 | 210 | 4812117533 | 132 |
| 4812116651 | 56 | 4812117602 | 114, 114 |
| 4812116652 | 56 | 4812117665 | 292 |
| 4812116653 | 56 | 4812117699 | 114 |
| 4812116687 | 196 | 4812117702 | 208 |
| 4812116702 | 32 | 4812117710 | 114 |
| 4812116738 | 302, 306 | 4812117732 | 208 |
| 4812116781 | 238, 256 | 4812117751 | 98 |
| 4812116792 | 66 | 4812117796 | 224, 226 |
| 4812116793 | 66 | 4812117797 | 220, 222 |
| 4812116799 | 364 | 4812117839 | 62, 62, 62, 62 |
| 4812116806 | 292 | 4812117860 | 108 |
| 4812116807 | 292 | 4812117922 | 474, 478 |
| 4812116821 | 32, 50 | 4812117924 | 474, 476 |
| 4812116834 | 122 | 4812117925 | 478, 480 |
| 4812116836 | 122 | 4812117942 | 132 |
| 4812116862 | 64 | 4812117964 | 452 |
| 4812116867 | 382 | 4812118062 | 46 |
| 4812116877 | 306 | 4812118102 | 118 |
| 4812116884 | 382 | 4812118150 | 250, 252 |
| 4812116921 | 196 | 4812118151 | 270, 272 |
| 4812116969 | 154 | 4812118154 | 298, 304 |
| 4812116986 | 450 | 4812118179 | 106 |
| 4812117024 | 292 | 4812118203 | 102 |
| 4812117026 | 116 | 4812118214 | 220, 224 |
| 4812117027 | 116 | 4812118245 | 98 |
| 4812117040 | 118 | 4812118250 | 514 |
| 4812117043 | 102 | 4812118275 | 122 |
| 4812117048 | 50 | 4812118280 | 126 |
| 4812117054 | 102 | 4812118285 | 104 |
| 4812117108 | 322 | 4812118287 | 104 |
| 4812117149 | 324 | 4812118312 | 482 |
| 4812117248 | 74, 116, 456, 514 | 4812118385 | 304 |
| 4812117322 | 228, 254 | 4812118393 | 238 |
| 4812117323 | 254 | 4812118432 | 104 |
| 4812117324 | 228 | 4812118433 | 106 |
| 4812117325 | 152, 172 | 4812118464 | 298, 304 |
| 4812117326 | 152, 172 | 4812118467 | 298, 304 |
| 4812117349 | 506, 510, 520 | 4812118494 | 112 |
| 4812117379 | 132 | 4812118499 | 130 |
| 4812117436 | 208 | 4812118624 | 354 |
| 4812117448 | 208 | 4812118625 | 352 |
| 4812117450 | 208 | 4812118626 | 122 |
| 4812117451 | 208 | 4812118641 | 354 |
| 4812117473 | 66 | 4812118670 | 122 |
| 4812117490 | 484 | 4812118697 | 484 |
| 4812117498 | 126 | 4812118754 | 484 |
| 4812117507 | 30 | 4812118814 | 16, 18, 82, 84, 86, 88, 90, 92 |
| 4812117508 | 32 | 4812118816 | 476, 480 |
| 4812117512 | 32 | 4812118842 | 530 |

| | | | |
|------------|----------|------------|----------|
| 4812118853 | 74 | 4812120830 | 282, 286 |
| 4812118893 | 532 | 4812120923 | 308 |
| 4812118960 | 210 | 4812121090 | 64 |
| 4812118961 | 210 | 4812121111 | 32 |
| 4812118976 | 64 | 4812121152 | 64 |
| 4812118989 | 66 | 4812121201 | 74 |
| 4812118994 | 64, 66 | 4812121282 | 32 |
| 4812119127 | 112 | 4812121331 | 482 |
| 4812119227 | 484 | 4812121396 | 32 |
| 4812119295 | 470 | 4812121397 | 32 |
| 4812119306 | 450 | 4812121398 | 32 |
| 4812119307 | 518 | 4812121468 | 364 |
| 4812119317 | 484 | 4812121550 | 278 |
| 4812119327 | 450 | 4812121665 | 32 |
| 4812119364 | 398 | 4812121707 | 496 |
| 4812119365 | 398 | 4812121815 | 110 |
| 4812119490 | 514 | 4812121848 | 366 |
| 4812119649 | 518 | 4812121866 | 110 |
| 4812119788 | 464 | 4812121914 | 52 |
| 4812119807 | 32 | 4812121947 | 282, 284 |
| 4812119809 | 32 | 4812122054 | 50 |
| 4812120070 | 396 | 4812122685 | 110 |
| 4812120100 | 492 | 4812123800 | 504 |
| 4812120101 | 492 | 4812156151 | 268 |
| 4812120116 | 492 | 4812156152 | 246 |
| 4812120117 | 396 | 4812156170 | 24 |
| 4812120160 | 50 | 4812156451 | 118 |
| 4812120205 | 128 | 4812156456 | 4, 18 |
| 4812120255 | 412 | 4812156599 | 268 |
| 4812120257 | 420 | 4812156777 | 366 |
| 4812120306 | 492 | 4812156883 | 148 |
| 4812120334 | 340 | 4812156884 | 148 |
| 4812120363 | 50 | 4812156885 | 138 |
| 4812120376 | 118 | 4812156886 | 138, 146 |
| 4812120414 | 32 | 4812156887 | 136, 144 |
| 4812120443 | 492 | 4812156888 | 136, 144 |
| 4812120444 | 492 | 4812156892 | 150 |
| 4812120445 | 492 | 4812156893 | 150 |
| 4812120468 | 368 | 4812156894 | 150 |
| 4812120469 | 368 | 4812156895 | 150 |
| 4812120526 | 50 | 4812156896 | 150 |
| 4812120544 | 382 | 4812156897 | 150 |
| 4812120560 | 50 | 4812156898 | 150 |
| 4812120615 | 32 | 4812156899 | 150 |
| 4812120618 | 32 | 4812156951 | 150 |
| 4812120661 | 32, 50 | 4812156952 | 150 |
| 4812120674 | 134, 134 | 4812156953 | 148 |
| 4812120676 | 134 | 4812156954 | 148 |
| 4812120722 | 64 | 4812156955 | 148 |
| 4812120724 | 64 | 4812156956 | 148 |
| 4812120790 | 340 | 4812156957 | 148 |

| | | | |
|------------|--------------------|------------|---------------|
| 4812156958 | 148 | 4812157098 | 262 |
| 4812156959 | 148 | 4812157099 | 262 |
| 4812156962 | 146 | 4812157151 | 262, 264 |
| 4812156963 | 146 | 4812157152 | 268 |
| 4812156964 | 146 | 4812157155 | 268 |
| 4812156965 | 146 | 4812157156 | 268 |
| 4812156993 | 4, 14 | 4812157157 | 80 |
| 4812156994 | 6 | 4812157158 | 80 |
| 4812156995 | 10 | 4812157159 | 80 |
| 4812156999 | 166, 178, 188, 202 | 4812157160 | 80 |
| 4812157051 | 166, 188 | 4812157161 | 80 |
| 4812157052 | 166, 188 | 4812157162 | 80 |
| 4812157053 | 166, 188 | 4812157170 | 160 |
| 4812157054 | 166 | 4812157180 | 156 |
| 4812157055 | 166 | 4812157182 | 158 |
| 4812157056 | 166, 182 | 4812157184 | 160 |
| 4812157057 | 168, 182, 190, 206 | 4812157185 | 160 |
| 4812157058 | 166, 182 | 4812157186 | 162 |
| 4812157059 | 166, 182 | 4812157187 | 162 |
| 4812157060 | 170, 180, 192, 204 | 4812157193 | 242 |
| 4812157061 | 170, 180, 192, 204 | 4812157194 | 242 |
| 4812157062 | 170, 180, 192, 204 | 4812157195 | 242 |
| 4812157063 | 170, 180, 192, 204 | 4812157196 | 242 |
| 4812157064 | 168, 182 | 4812157197 | 242 |
| 4812157065 | 178, 202 | 4812157198 | 244 |
| 4812157066 | 178 | 4812157199 | 244 |
| 4812157067 | 178 | 4812157251 | 244 |
| 4812157068 | 178, 202 | 4812157252 | 246 |
| 4812157069 | 178 | 4812157253 | 246 |
| 4812157070 | 178, 202 | 4812157254 | 14 |
| 4812157071 | 178, 202 | 4812157255 | 18 |
| 4812157072 | 178, 202 | 4812157275 | 22 |
| 4812157074 | 166, 188 | 4812157277 | 12, 14 |
| 4812157075 | 166, 188 | 4812157363 | 8, 14 |
| 4812157076 | 188 | 4812157365 | 232 |
| 4812157077 | 188 | 4812157366 | 232 |
| 4812157078 | 188, 206 | 4812157367 | 232 |
| 4812157079 | 190 | 4812157368 | 232 |
| 4812157080 | 202 | 4812157369 | 232 |
| 4812157081 | 202 | 4812157370 | 232 |
| 4812157082 | 206 | 4812157371 | 178, 202, 232 |
| 4812157083 | 202 | 4812157372 | 232 |
| 4812157084 | 202 | 4812157373 | 232 |
| 4812157085 | 206 | 4812157374 | 234 |
| 4812157091 | 260 | 4812157375 | 234 |
| 4812157092 | 260 | 4812157376 | 234 |
| 4812157093 | 260 | 4812157377 | 236 |
| 4812157094 | 260 | 4812157378 | 236 |
| 4812157095 | 264 | 4812157379 | 234 |
| 4812157096 | 262 | 4812157380 | 234 |
| 4812157097 | 264 | 4812157381 | 234 |

| | | | |
|------------|----------|------------|--------------------|
| 4812157382 | 236 | 4812158198 | 258 |
| 4812157383 | 236 | 4812158199 | 260 |
| 4812157384 | 236 | 4812158251 | 264 |
| 4812157386 | 236 | 4812158289 | 508 |
| 4812157387 | 236 | 4812158290 | 508 |
| 4812157390 | 76 | 4812158291 | 508 |
| 4812157391 | 76 | 4812158292 | 508 |
| 4812157393 | 76 | 4812158293 | 408 |
| 4812157394 | 76 | 4812158360 | 236 |
| 4812157460 | 160 | 4812158367 | 470 |
| 4812157471 | 294 | 4812158395 | 252, 272 |
| 4812157472 | 294 | 4812158398 | 166 |
| 4812157473 | 294 | 4812158481 | 510 |
| 4812157474 | 294 | 4812158482 | 510 |
| 4812157596 | 100 | 4812158485 | 414 |
| 4812157654 | 216 | 4812158859 | 436 |
| 4812157655 | 216 | 4812158990 | 236 |
| 4812157656 | 294 | 4812158992 | 422 |
| 4812157657 | 294 | 4812159183 | 404 |
| 4812157681 | 216 | 4812159184 | 402, 402, 402 |
| 4812157682 | 216 | 4812159461 | 236 |
| 4812157683 | 216 | 4812159558 | 28, 404 |
| 4812157684 | 216 | 4812159763 | 226 |
| 4812157685 | 216 | 4812159767 | 422 |
| 4812157686 | 216 | 4812159768 | 422 |
| 4812157687 | 216 | 4812159775 | 406 |
| 4812157688 | 216 | 4812159786 | 100 |
| 4812157758 | 286 | 4812159787 | 100 |
| 4812157759 | 286 | 4812160053 | 530 |
| 4812157760 | 286 | 4812160294 | 160 |
| 4812157765 | 516, 518 | 4812160388 | 406 |
| 4812157766 | 516 | 4812160469 | 414 |
| 4812157767 | 516 | 4812160598 | 512 |
| 4812157768 | 516 | 4812160664 | 248 |
| 4812157770 | 216 | 4812160666 | 408 |
| 4812157771 | 216 | 4812160767 | 508 |
| 4812157772 | 216 | 4812160771 | 422 |
| 4812157773 | 216 | 4812160772 | 422 |
| 4812157784 | 76 | 4812160876 | 166 |
| 4812157785 | 76 | 4812160877 | 406, 406, 406, 406 |
| 4812157975 | 264 | 4812161098 | 404 |
| 4812158053 | 16 | 4812161099 | 404 |
| 4812158153 | 190 | 4812269858 | 496 |
| 4812158154 | 168, 176 | 5580020624 | 8, 12, 18 |
| 4812158155 | 156 | 9106230330 | 18 |
| 4812158163 | 402 | D900505654 | 100 |
| 4812158164 | 402 | D900509687 | 100 |
| 4812158165 | 402 | D967536859 | 258 |
| 4812158177 | 100 | D967536871 | 268 |
| 4812158178 | 100 | D967711040 | 264 |
| 4812158197 | 264 | | |

Any unauthorized use or copying of the contents or any part thereof is prohibited.
This applies in particular to trademarks, model denominations, part numbers, and drawings.

